



ITEM# 1961202
1/2" Variable Speed Impact Wrench
USER'S MANUAL



Read carefully and understand RULES FOR SAFE OPERATION and instructions before operating. Failure to follow these safety rules and other basic safety precautions may result in serious personal injury.

For technical questions and replacement parts, please call 1-800-222-5381. Thank you very much for choosing a NORTHERN TOOL + EQUIPMENT CO., Product! For future reference, please complete the owner's record below:

Model: _____ Purchase Date: _____

Save the receipt, warranty and these instructions. It is important that you read the entire instruction sheet to become familiar with this product before you begin using it. This product is designed for certain applications only. Northern Tool + Equipment strongly recommends that this product is not modified and/or used for any application other than that for which it was designed. If you have any questions relative to a particular application, DO NOT use the product until you have first contacted Northern Tool + Equipment to determine if it can or should be performed on the product. Before using this product, please read the following instructions carefully.

Technical Specifications

Item	Description	Item	Description
Drive Size	1/2"	Air Consumption	5.6 CFM
Free Speed	7000 RPM	Air Inlet Diameter	1/4"- 18NPT
Max. Torque	300 ft-lbs	Max. Air Pressure	90 PSI

SAVE THIS MANUAL

You will need this manual for the safety warnings and precautions, assembly, operating, inspection, maintenance and cleaning procedures, parts list and assembly diagram. Keep this manual and invoice in a safe and dry place for future reference.

WARNINGS AND SAFETY RULES

1. Wear proper clothing. Always use ANSI-approved safety impact goggles when assembling or using this tool. Wear long sleeved shirts, long pants and hard-toed shoes. Take off any loose fitting jewelry and keep long hair covered to prevent being caught in moving parts.
2. Wear proper breathing protection. Remember that a "dust mask" is not a breathing respirator. Use a respirator that uses charcoal filters for the best protection.
3. Keep work area clean and well lighted. A dim and/or cluttered work area invites personal injury.
4. Keep children and pets away from work areas. Children can be a distraction and should be supervised by an adult when near the work area. Never allow children to play with this product even if it is turned off.
5. Store idle tools properly. Keep this tool out of the reach of children.
6. Do not use the Tool if under the influence of alcohol or prescription drugs. Doing so may cause damage to the tool, or personal injury. Do not use this or any tool if you are tired. Use common sense at all times.
7. Check for damaged parts. Before using this tool, carefully check for any parts that may be missing or damaged and any other conditions that may affect the operation of this tool. Replace or repair damaged and worn parts immediately using only qualified repair facility.
8. Always use the proper tools. This tool was designed for a specific task. Do not alter this tool, or use it for a purpose for which it was not intended.
9. Be careful when connecting/disconnecting air supply. It is recommended to use quick disconnects (not included) rather than screw-on air connections.

10. Use compressed air only. Clean, dry, regulated compressed air at 90 PSI. Never use oxygen, carbon dioxide, combustible gases, or any other bottled gas as a power source for this tool.

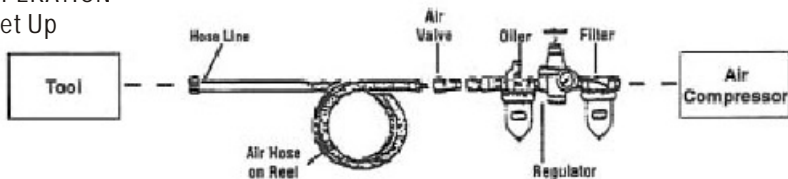
11. Always disconnect air supply when this tool is not being used.

NOTE: The warnings, cautions, and instructions discussed in this instruction manual cannot cover all possible conditions and situations that may occur. It must be understood by the operator that common sense and caution are factors that cannot be built into this product but must be supplied by the operator.

NOTE: READ ALL INSTRUCTIONS BEFORE USING THIS PRODUCT

OPERATION

Set Up



Recommended Air Line Components

Fig. 1

WARNING!

This impact wrench supplies powerful torque and it designed to be operated with two hands. Failure to operate the Impact wrench with two hands may result in serious injury.

1. You will need to prepare a 1/4" air connector (not included) to connect to the air inlet on the tool. First, wrap the 1/4" air connector with pipe thread seal tape (not included) before threading it into the inlet. Connect the 3/8" ID air source hose (not included) to a quick-disconnect coupler (not included) and then to the tool.
2. Set the air pressure on your compressor to 90 PSI. Do not exceed the recommended air pressure of 90 PSI.
3. Check the air connection for leaks.
4. Disconnect from the air hose until next instructed to reconnect.

Note: Turn off your air compressor and disconnect the air hose when you are changing sockets. After you attach the socket (not included), attach the air hose and turn the air compressor on.

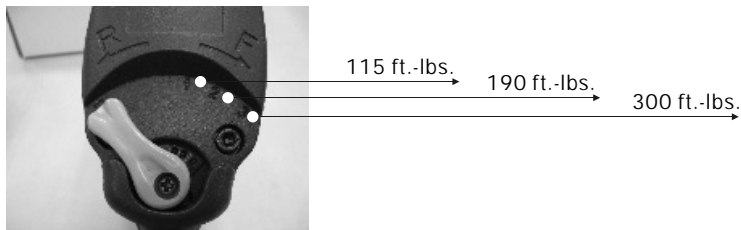
i. Select the appropriate size 1/2" socket for your needs.

ii. Push and snap the socket onto the anvil.

iii. Tightening

The max. working torque of the impact wrench is 300ft.-lbs. It can be adjusted from 115 ft.-lbs. to 300ft.-lbs. Make sure that the nut or bolt you are using the tool to tighten can withstand the rated torque.

1. Tighten the nut as far as you can by hand.
2. Place the socket on the nut. Press the REVERSE BUTTON (#30) to FORWARD 1, 2, 3. You can get the different torque on different steps. (See Fig. 2)
1. Press the trigger to start the tool.



NOTE: When changing the step, stop pressing the trigger (#9), then adjust the reverse button (#30).

NOTE:

1. If the tool stalls while tightening, DO NOT raise the outlet pressure of the air compressor above 90 PSI.
2. When the nut has been tightened, remove the tool and socket. Do not overtighten.
3. If available, check the recommended torque specifications for the nut. You should use a torque wrench to torque the nut after using the impact wrench.

Loosening

1. Attach the correct size socket to the anvil.
2. Set the compressor's pressure regulator to 90 PSI. Do not set the compressor's outlet regulator above 90 PSI.
3. Connect the tool to the air compressor's hose. If a leak is detected, disconnect the air hose and fix it before use.
4. Place the socket over the nut to loosen.
5. Grip the tool firmly. Press the REVERSE BUTTON (#30) to REVERSE step. Press the trigger to start the tool.

(Caution: Make sure the nut or bolt can withstand the impact wrench's working torque.)

NOTE:

If the tool cannot loosen the nut, DO NOT raise the outlet pressure of the air compressor.

When the nut is moved, stop the tool by releasing the trigger and remove the tool from the nut. Remove the nut from the socket if needed.

MAINTENANCE

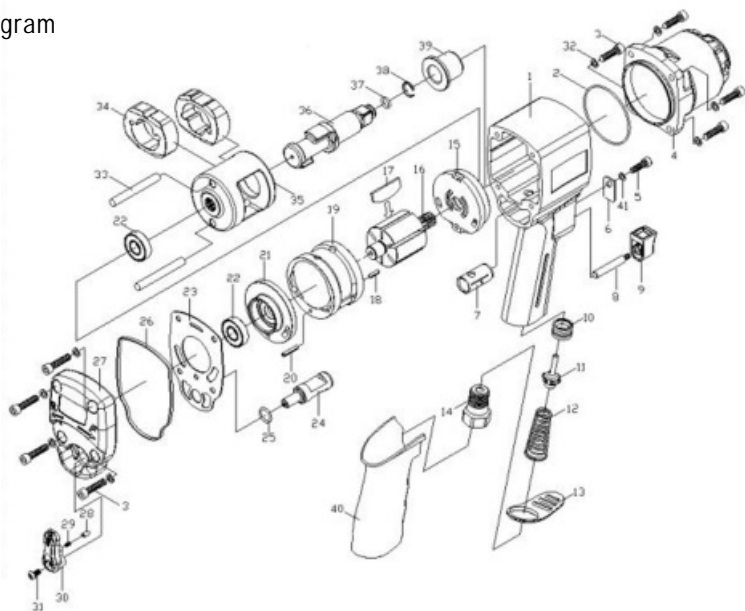
WARNING

Always disconnect the air supply before attempting any maintenance.

After disconnecting the air supply, squeeze the trigger to make sure no air remains in the unit.

1. After each use, wipe down the impact wrench with a lint-free cloth. Do not use solvents or harsh detergents to clean the tool.
2. Make sure the air inlet is clean of dirt, grease, or debris.

Diagram



Part No.	Description	Qty.
1	Housing	1
2	O-ring	1
3	Cap Screw	8
4	Hammer Case	1
5	Cap Screw	1
6	Trigger Retainer	1
7	Rev. Valve Sleeve	1
8	Trigger Shaft	1
9	Trigger	1
10	Valve Seat	1
11	Throttle Valve	1
12	Spring Valve	1
13	Exhaust Deflector	1
14	Inlet Bushing	1
15	Front end plate	1
16	Rotor	1
17	Rotor Vane	6
18	Spring Pin	1
19	Cylinder	1
20	Spring Pin	1
21	Rear End Plate	1

Part No.	Description	Qty.
22	Bearing	2
23	Rear Gasket	1
24	Rev. Valve	1
25	O-ring	1
26	Rear Cover Ring	1
27	Back Cover	1
28	Locking Pin	1
29	Spring	1
30	Reverse Button	1
31	Screw	1
32	Spring Washer	8
33	Hammer Pin	2
34	Hammer	2
35	Hammer Frame	1
36	Standard Anvil	1
37	O-ring	1
38	Socket Retainer Ring	1
39	Anvil Bushing	1
40	Handle Grip	1
41	Spring Washer	1