

WARRANTY

NEWCON OPTIK warrants this product against defects in material and workmanship for one year from the date of the original date of consumer's purchase, but no more than 18 months from the date of manufacturing. If your Newcon product proves to be defective during this period, please bring the product securely packaged in its original container or an equivalent, along with proof of the date of original purchase, to your Newcon Dealer. Newcon will repair (or at its option replace), the product or part thereof, which, on inspection by Newcon, is found to be defective in materials or workmanship.

What This Warranty Does Not Cover:

NEWCON OPTIK is not responsible for warranty service should the product fail to be properly maintained or fail to function properly as a result of misuse, abuse, improper installation, neglect, damage caused by disasters such as fire, flood, lightning, improper electrical current, or service other than by a NEWCON Authorized Service. Postage, insurance, or shipping costs incurred in presenting your NEWCON product for warranty service are your responsibility. Please include a check or money order made out to NEWCON OPTIK for the amount of \$15.00 to cover shipping and handling. This covers products shipped in USA or Canada only.

ACCEPTANCE CERTIFICATE: Stabilized Image Binoculars

Serial Number _____
Model _____ SIB 16x 50M _____
corresponds to technical conditions AD SH 3.807.020 TU and is admitted for use.

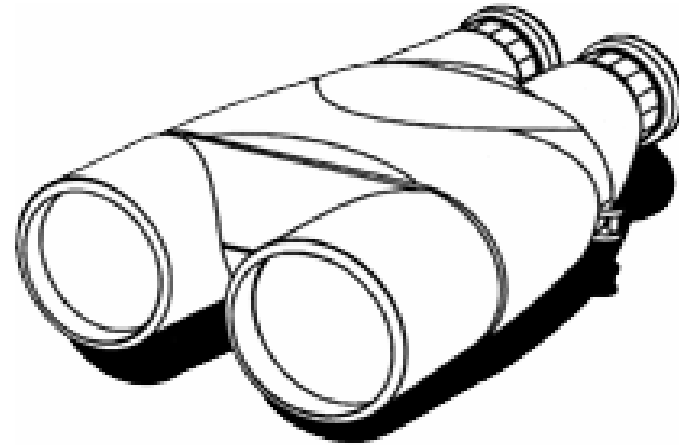
Place for seal Date of production - _____

Quality inspector _____

(signature)



Operation Manual



SIB 16x50M Stabilized Image Binocular

In USA: 3310 Prospect Ave. Cleveland, OH 44115
In Canada: 105 Sparks Ave., Toronto, ON M2H 2S5

Congratulations on purchasing the SIB 16x50M Stabilized Image Binoculars.

Please read carefully the user manual prior to activation

This unique optical instrument utilizes a revolutionary patented mechanical system (no need for batteries!) to deliver a stabilized image. An observer can use this high power magnification binocular aboard aircraft, land vehicles, boats or other moving or vibrating platforms.

PRECAUTIONS:

The SIB 16x50M is a sophisticated mechanical apparatus, and should be handled with due care:

- Never disassemble the unit
- Keep your device away from direct sunlight, impacts, dust, permanent moisture, and sudden changes of temperatures.
- Do not touch the optical surfaces with fingers. Doing so may damage the anti-reflection coating.
- Cleaning of optical surfaces is possible only with professional camera lens cleaning supplies.
- To clean the exterior of the device, use only a soft clean cloth.
- Do not take the cover off the lens if not necessary.
- Keep away from heating appliances and central heating.
- Do not apply superfluous efforts at work with lens assembly, agile elements and thread connections.

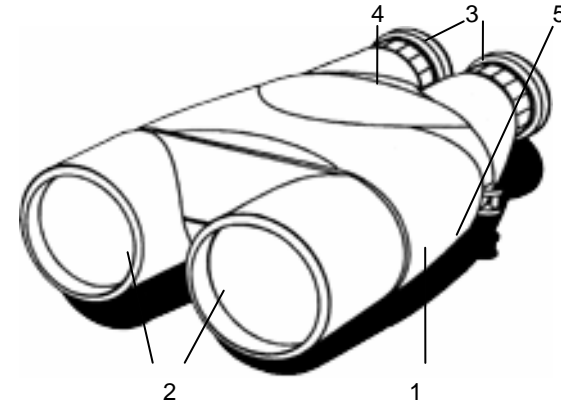
OPERATION:

- Unpack the unit from the box. Remove the lens covers (2).
- Adjust the distance between the eyes turning both eyepiece assemblies in the plane (4) until two images converge into one. This adjustment is made tough intentionally to provide enhanced water resistance.
- Adjust the focus individually for both eyes using the rotating eyepieces until the image is sharp.
- To activate the stabilization mechanism, press and hold the button (5) with your thumb. The button is located on the left side, at the bottom of the unit.
- To disengage the stabilization mechanism, release the button.

FEATURES:

- Stabilized image
- Rigid construction
- Surveillance under motion conditions
- No batteries required
- Weather proof, water resistant
- Wide angle field of view
- Standard tripod socket

CONSTRUCTION:



- 1 Body
- 2 Objective lenses
- 3 Eyepiece dioptic adjustment knobs
- 4 Interpupillary adjustment plane
- 5 Stabilization button (at the bottom)

SPECIFICATIONS:

Magnification	16
Objective, mm	50
Compensation angle	±5°
Field of view	4.3°
Apparent field of view (wide angle)	68.8°
Exit pupil, mm	2.2
Eye relief, mm	11.5
Resolution in the middle	5.3"
Dimensions, mm	230x162x72
Weight, kg	1.380