

New Holland 800TL Series Front-End Loader Specifications

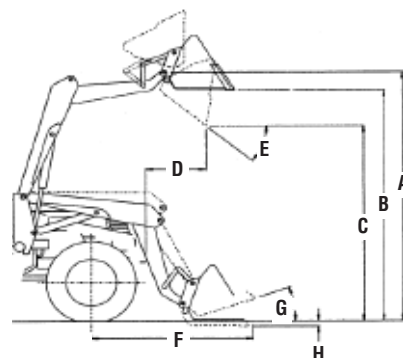


Loaders for TN-A/TND-A, TNF/TNF-A & TNS-A Tractors

LOADER MODEL	810TL NSL	810TL MSL	810TL NSL	810TL MSL
TRACTOR FAMILY	TN-A/DA	TN-A/DA	TNF/FA	TNF/FA
TRACTOR MODELS	60-75	60-75	65-95	65-95
Lift capacity @ max. height @ 800 mm, lb. (kg)	2100 (953)	2500 (1134)	2000 (907)	2450 (1111)
Lift capacity @ max. height @ pins, lb. (kg)	3300 (1497)	3200 (1451)	3200 (1451)	3100 (1406)
Lift capacity @ 59 in. high @ 800 mm, lb. (kg)	2400 (1089)	2950 (1338)	2350 (1066)	2850 (1293)
Lift capacity @ 59 in. high @ pins, lb. (kg)	3750 (1701)	3650 (1656)	3600 (1633)	3500 (1588)
Breakout force @ 800 mm, lb. (kg)	2650 (1202)	3200 (1451)	2550 (1157)	3100 (1406)
Breakout force @ pins, lb. (kg)	4200 (1905)	3850 (1746)	4050 (1837)	3750 (1701)
Max. lift height, in. (mm)	(A) 122 (3099)	122 (3099)	125 (3175)	125 (3175)
Max. lift height under level bucket, in. (mm)	(B) 110 (2794)	110 (2794)	113 (2870)	113 (2870)
Clearance w/bucket dumped, in. (mm)	(C) 85 (2159)	85 (2159)	87 (2210)	87 (2210)
Reach @ max. lift height, in. (mm)	(D) 30 (762)	30 (762)	38 (965)	38 (965)
Max. dump angle, degrees	(E) 65	64	61	60
Reach @ ground line, in. (mm)	(F) 86 (2184)	86 (2184)	85 (2159)	85 (2159)
Bucket rollback angle, degrees	(G) 45	45	46	46
Digging depth, in. (mm)	(H) 8 (203)	8 (203)	6 (152)	6 (152)
Raising time, seconds	3.3	3.3	3.9	3.9
Lowering time, seconds	2	2	2.4	2.4
Bucket dump time, seconds	3.5	2.4	4.1	2.8
Bucket rollback time, seconds	2.4	2.4	2.8	2.8
Approx. weight, lb. (kg) (loader w/o bucket)	960 (435)	1115 (506)	945 (429)	1095 (497)

LOADER MODEL	820TL NSL	820TL MSL	820TL NSL	820TL MSL
TRACTOR FAMILY	TNS-A	TNS-A	TN-A/DA	TN-A/DA
TRACTOR MODELS	75	75	85-95	85-95
Lift capacity @ max. height @ 800 mm, lb. (kg)	2500 (1134)	2650 (1202)	2500 (1134)	2650 (1202)
Lift capacity @ max. height @ pins, lb. (kg)	3850 (1746)	3300 (1497)	3850 (1746)	3300 (1497)
Lift capacity @ 59 in. high @ 800 mm, lb. (kg)	2850 (1293)	3100 (1406)	2850 (1293)	3100 (1406)
Lift capacity @ 59 in. high @ pins, lb. (kg)	4400 (1996)	3750 (1701)	4400 (1996)	3750 (1701)
Breakout force @ 800 mm, lb. (kg)	3100 (1406)	3300 (1497)	3100 (1406)	3300 (1497)
Breakout force @ pins, lb. (kg)	4850 (2200)	3950 (1792)	4850 (2200)	3950 (1792)
Max. lift height, in. (mm)	(A) 135 (3429)	135 (3429)	133 (3378)	133 (3378)
Max. lift height under level bucket, in. (mm)	(B) 123 (3124)	123 (3124)	121 (3073)	121 (3073)
Clearance w/bucket dumped, in. (mm)	(C) 97 (2464)	97 (2464)	96 (2438)	96 (2438)
Reach @ max. lift height, in. (mm)	(D) 47 (1194)	47 (1194)	25 (635)	25 (635)
Max. dump angle, degrees	(E) 57	56	55	53
Reach @ ground line, in. (mm)	(F) 92 (2337)	92 (2337)	93 (2362)	93 (2362)
Bucket rollback angle, degrees	(G) 46	46	50	50
Digging depth, in. (mm)	(H) 6 (152)	6 (152)	7 (178)	7 (178)
Raising time, seconds	4.1	3.6	4.1	3.6
Lowering time, seconds	2.8	2.2	2.8	2.2
Bucket dump time, seconds	3.5	2.4	3.5	2.4
Bucket rollback time, seconds	2.4	2.4	2.4	2.4
Approx. weight, lb. (kg) (loader w/o bucket)	1040 (472)	1195 (542)	990 (449)	1150 (522)

NSL = non self leveling MSL = mechanical self leveling (ss) = SuperSteer
 NOTES: Specification based on ASAE (S301.3) and are subject to change without notice.
 Dimensional and performance specifications are based on typical tractors and tire sizes.



New Holland 800TL Series Front-End Loader Specifications

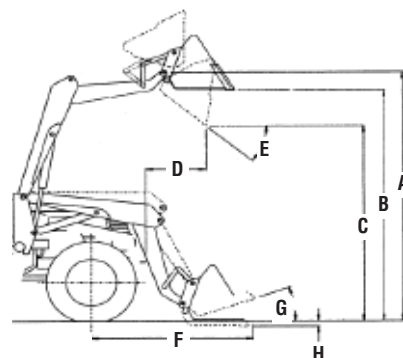


Loaders for TDD & TL-A Tractors

LOADER MODEL	820TL NSL	820TL MSL	820TL NSL	820TL MSL
TRACTOR FAMILY	TDD	TDD	TL-A	TL-A
TRACTOR MODELS	75-95	75-95	70-100	70-100
Lift capacity @ max. height @ 800 mm, lb. (kg)	2500 (1134)	2650 (1202)	2500 (1134)	2650 (1202)
Lift capacity @ max. height @ pins, lb. (kg)	3850 (1746)	3300 (1497)	3850 (1746)	3300 (1497)
Lift capacity @ 59 in. high @ 800 mm, lb. (kg)	2850 (1293)	3100 (1406)	2850 (1293)	3100 (1406)
Lift capacity @ 59 in. high @ pins, lb. (kg)	4400 (1996)	3750 (1701)	4400 (1996)	3750 (1701)
Breakout force @ 800 mm, lb. (kg)	3100 (1406)	3300 (1497)	3100 (1406)	3300 (1497)
Breakout force @ pins, lb. (kg)	4850 (2200)	3950 (1792)	4850 (2200)	3950 (1792)
Max. lift height, in. (mm)	(A)	136 (3454)	136 (3454)	136 (3454)
Max. lift height under level bucket, in. (mm)	(B)	124 (3150)	124 (3150)	124 (3150)
Clearance w/bucket dumped, in. (mm)	(C)	98 (2489)	98 (2489)	98 (2489)
Reach @ max. lift height, in. (mm)	(D) 36 (914)	36 (914)	33 (838)	33 (838)
max. dump angle, degrees	(E) 58	57	57	56
Reach @ ground line, in. (mm)	(F) 88 (2235)	88 (2235)	90 (2286)	90 (2286)
Bucket rollback angle, degrees	(G) 45	45	46	46
digging depth, in. (mm)	(H)	5 (127)	5 (127)	5 (127)
Raising time, seconds	4.1	3.6	4.1	3.6
Lowering time, seconds	2.8	2.2	2.8	2.2
Bucket dump time, seconds	3.5	2.4	3.5	2.4
Bucket rollback time, seconds	2.4
Approx. weight, lb. (kg) (loader w/o bucket)	990 (449)	1150 (522)	990 (449)	1150 (522)

LOADER MODEL	830TL NSL	830TL MSL
TRACTOR FAMILY	TL-A	TL-A
TRACTOR MODELS	70-100	70-100
Lift capacity @ max. height @ 800 mm, lb. (kg)	3200 (1451)	3400 (1542)
Lift capacity @ max. height @ pins, lb. (kg)	4850 (2200)	4200 (1905)
Lift capacity @ 59 in. high @ 800 mm, lb. (kg)	3650 (1656)	3850 (1746)
Lift capacity @ 59 in. high @ pins, lb. (kg)	5500 (2495)	4750 (2155)
Breakout force @ 800 mm, lb. (kg)	3850 (1746)	4200 (1905)
Breakout force @ pins, lb. (kg)	5950 (2699)	5050 (2291)
Max. lift height, in. (mm)	(A) 144 (3658)	144 (3658)
Max. lift height under level bucket, in. (mm)	(B) 132 (3353)	132 (3353)
Clearance w/bucket dumped, in. (mm)	(C) 9106 (2692)	106 (2692)
Reach @ max. lift height, in. (mm)	(D) 34 (864)	34 (864)
max. dump angle, degrees	(E) 59	58
Reach @ ground line, in. (mm)	(F) 98 (2489)	98 (2489)
Bucket rollback angle, degrees	(G) 46	46
digging depth, in. (mm)	(H) 7 (178)	7 (178)
Raising time, seconds	5.4	4.7
Lowering time, seconds	4.1	3.4
Bucket dump time, seconds	4.6	3.4
Bucket rollback time, seconds	3.4	3.4
Approx. weight, lb. (kg) (loader w/o bucket)	1135 (515)	1290 (585)

NSL = non self leveling MSL = mechanical self leveling (ss) = SuperSteer
 NOTES: Specification based on ASAE (S301.3) and are subject to change without notice.
 Dimensional and performance specifications are based on typical tractors and tire sizes.



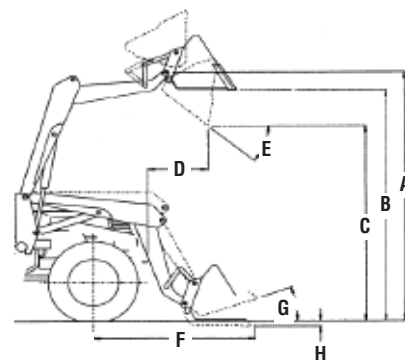
New Holland 800TL Series Front-End Loader Specifications



Loaders for TS-A Tractors

LOADER MODEL	830TL	830TL	840TL	840TL
Loader type, NSL or MSL	NSL	MSL	NSL	MSL
TRACTOR FAMILY	TS-A	TS-A	TS-A (SS)	TS-A (SS)
TRACTOR MODELS	100-110	100-110	115-135	115-135
Lift capacity @ max. height @ 800 mm, lb. (kg)	3150 (1429)	3350 (1520)	3700 (1678)	3950 (1792)
Lift capacity @ max. height @ pins, lb. (kg)	4750 (2155)	4100 (1860)	5350 (2427)	4650 (2109)
Lift capacity @ 59 in. high @ 800 mm, lb. (kg)	3550 (1610)	3800 (1724)	4200 (1905)	4400 (1996)
Lift capacity @ 59 in. high @ pins, lb. (kg)	5400 (2449)	4650 (2109)	6050 (2744)	5250 (2381)
Breakout force @ 800 mm, lb. (kg)	3800 (1724)	4100 (1860)	4400 (1996)	4400 (1996)
Breakout force @ pins, lb. (kg)	5850 (2654)	5000 (2268)	6500 (2948)	5600 (2540)
Max. lift height, in. (mm)	(A) 145 (3683)	145 (3683)	154 (3912)	142 (3607)
Max. lift height under level bucket, in. (mm)	(B) 133 (3378)	133 (3378)	116 (2946)	116 (2946)
Clearance w/bucket dumped, in. (mm)	(C) 107 (2718)	107 (2718)	31 (787)	31 (787)
Reach @ max. lift height, in. (mm)	(D) 31 (787)	31 (787)	57	56
Max. dump angle, degrees	(E) 63	62	57	56
Reach @ ground line, in. (mm)	(F) 92 (2337)	92 (2337)	100 (2540)	100 (2540)
Bucket rollback angle, degrees	(G) 43	43	45	45
Digging depth, in. (mm)	(H) 8 (203)	8 (203)	8 (203)	8 (203)
Raising time, seconds	4.1	3.6	3.8	3.4
Lowering time, seconds	3	2.5	3	2.5
Bucket dump time, seconds	3.4	2.6	2.9	2.1
Bucket rollback time, seconds	2.6	2.6	2.1	2.1
Approx. weight, lb. (kg) (loader w/o bucket)	1135 (515)	1290 (585)	1220 (553)	1370 (621)

NSL = non self leveling MSL = mechanical self leveling (ss) = SuperSteer
 NOTES: Specification based on ASAE (S301.3) and are subject to change without notice.
 Dimensional and performance specifications are based on typical tractors and tire sizes.



New Holland 800TL Series Front-End Loader Specifications

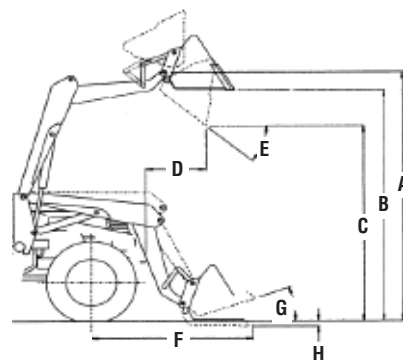


Loaders for T6000 Tractors

LOADER MODEL	830TL NSL T6000 4 CYL.	830TL MSL T6000 4 CYL.	840TL NSL T6000 4 CYL. SS ONLY	840TL MSL T6000 4 CYL. SS ONLY	840TL NSL T6000 6 CYL.	840TL MSL T6000 6 CYL.
Loader type, NSL or MSL						
TRACTOR FAMILY						
TRACTOR MODELS						
Lift capacity @ max. height @ 800 mm, lb. (kg)	3700 (1678)	3950 (1791)	3460 (1569)	3690 (1673)	3700 (1678)	3950 (1791)
Lift capacity @ max. height @ pins, lb. (kg)	5350 (2427)	4650 (2109)	5000 (2267)	4340 (1955)	5350 (2426)	4650 (2109)
Lift capacity @ 59 in. high @ 800 mm, lb. (kg)	4200 (1905)	4400 (1995)	3920 (1778)	4110 (1864)	4200 (1905)	4400 (1995)
Lift capacity @ 59 in. high @ pins, lb. (kg)	6050 (1741)	5250 (2381)	5650 (2562)	4910 (2227)	4910 (2227)	5250 (2381)
Breakout force @ 800 mm, lb. (kg)	4400 (1995)	4750 (2154)	4110 (1864)	4440 (2013)	4440 (2013)	4750 (2154)
Breakout force @ pins, lb. (kg)	6500 (2948)	5600 (2540)	6070 (2753)	5230 (2372)	5230 (2372)	5600 (2540)
Max. lift height, in. (mm)	(A) 156 (3962)	156 (3962)	154 (3911)	154 (3911)	154 (3911)	154 (3911)
Max. lift height under level bucket, in. (mm)	(B) 144 (3657)	144 (3657)	142 (3606)	142 (3606)	142 (3606)	142 (3606)
Clearance w/bucket dumped, in. (mm)	(C) 118 (2997)	118 (2997)	116 (2946)	116 (2946)	116 (2946)	116 (2946)
Reach @ max. lift height, in. (mm)	(D) 38 (965)	38 (965)	31 (78)	31 (78)	31 (78)	31 (78)
max. dump angle, degrees	(E) 57	56	57	56	56	56
Reach @ ground line, in. (mm)	(F) 102 (2590)	102 (2590)	100 (2540)	100 (2540)	100 (2540)	100 (2540)
Bucket rollback angle, degrees	(G) 45	44	45	45	45	45
digging depth, in. (mm)	(H) 7 (177)	7 (177)	7 (177)	8 (203)	8 (203)	8 (203)
Raising time, seconds	3.5	3.1	5.4	4.8	5.4	3.1
Lowering time, seconds	2.7	2.3	4.2	3.6	4.2	2.3
Bucket dump time, seconds	2.6	2	4	3	4	2
Bucket rollback time, seconds	2	2	3	3	3	2
Approx. weight, lb. (kg) (loader w/o bucket)	1220 (553)	1370 (621)	1220 (553)	1370 (621)	1220 (553)	1370 (621)

LOADER MODEL	850TL NSL T6000 6 CYL.	850TL MSL T6000 6 CYL.
Loader type, NSL or MSL		
TRACTOR FAMILY		
TRACTOR MODELS		
Lift capacity @ max. height @ 800 mm, lb. (kg)	4300 (1950)	4650 (2109)
Lift capacity @ max. height @ pins, lb. (kg)	6050 (2744)	5350 (2426)
Lift capacity @ 59 in. high @ 800 mm, lb. (kg)	4750 (2154)	5100 (2313)
Lift capacity @ 59 in. high @ pins, lb. (kg)	6750 (3061)	5950 (2698)
Breakout force @ 800 mm, lb. (kg)	5000 (2267)	5350 (2426)
Breakout force @ pins, lb. (kg)	7200 (3265)	6300 (2867)
Max. lift height, in. (mm)	(A) 167 (4241)	167 (4241)
Max. lift height under level bucket, in. (mm)	(B) 155 (3937)	155 (3937)
Clearance w/bucket dumped, in. (mm)	(C) 129 (3276)	129 (3276)
Reach @ max. lift height, in. (mm)	(D) 34 (863)	34 (863)
max. dump angle, degrees	(E) 53	54
Reach @ ground line, in. (mm)	(F) 109 (2768)	109 (2768)
Bucket rollback angle, degrees	(G) 44	44
digging depth, in. (mm)	(H) 6 (152)	6 (152)
Raising time, seconds	4.9	4.4
Lowering time, seconds	4	3.4
Bucket dump time, seconds	3.4	2.7
Bucket rollback time, seconds	2.7	2.7
Approx. weight, lb. (kg) (loader w/o bucket)	1385 (628)	1570 (712)

NSL = non self leveling MSL = mechanical self leveling (ss) = SuperSteer
 NOTES: Specification based on ASAE (S301.3) and are subject to change without notice.
 Dimensional and performance specifications are based on typical tractors and tire sizes.



New Holland 800TL Series Front-End Loader Specifications

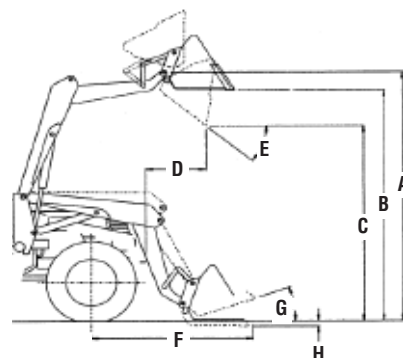


Loaders for TM & TG Tractors

LOADER MODEL	850TL NSL	850TL MSL	850TL NSL	850TL MSL
TRACTOR FAMILY	TM	TM	TM (SS)	TM (SS)
TRACTOR MODELS	120-155	120-155	120-155	120-155
Lift capacity @ max. height @ 800 mm, lb. (kg)	4300 (1950)	4650 (2109)	4300 (1950)	4650 (2109)
Lift capacity @ max. height @ pins, lb. (kg)	6050 (2744)	5350 (2427)	6050 (2744)	5350 (2427)
Lift capacity @ 59 in. high @ 800 mm, lb. (kg)	4750 (2155)	5100 (2313)	4750 (2155)	5100 (2313)
Lift capacity @ 59 in. high @ pins, lb. (kg)	6750 (3062)	5950 (2699)	6750 (3062)	5950 (2699)
Breakout force @ 800 mm, lb. (kg)	5000 (2268)	5350 (2427)	5000 (2268)	5350 (2427)
Breakout force @ pins, lb. (kg)	7200 (3266)	6300 (2858)	7200 (3266)	6300 (2858)
Max. lift height, in. (mm)	(A)
Max. lift height under level bucket, in. (mm)	(B)
Clearance w/bucket dumped, in. (mm)	(C) 129 (3277)	129 (3277)	136 (3454)	136 (3454)
Reach @ max. lift height, in. (mm)	(D) 31 (787)	31 (787)	38 (965)	38 (965)
Max. dump angle, degrees	(E) 56	55	56	55
Reach @ ground line, in. (mm)	(F) 107 (2718)	108 (2743)	108 (2743)	107 (2718)
Bucket rollback angle, degrees	(G)
Digging depth, in. (mm)	(H)
Raising time, seconds	4.6	4.1	4.6	4.1
Lowering time, seconds	3.7	3.2	3.7	3.2
Bucket dump time, seconds	3.2	2.5	3.2	2.5
Bucket rollback time, seconds
Approx. weight, lb. (kg) (loader w/o bucket)	1385 (628)	1570 (712)	1385 (628)	1570 (712)

LOADER MODEL	860TL MSL	870TL MSL	870TL MSL
TRACTOR FAMILY	TM	TG	TG (SS)
TRACTOR MODELS	175-190	215-305	215-305
Lift capacity @ max. height @ 800 mm, lb. (kg)	4900 (2223)	5250 (2381)	5250 (2381)
Lift capacity @ max. height @ pins, lb. (kg)	5450 (2472)	5950 (2699)	5950 (2699)
Lift capacity @ 59 in. high @ 800 mm, lb. (kg)	5450 (2472)	6500 (2948)	6500 (2948)
Lift capacity @ 59 in. high @ pins, lb. (kg)	6300 (2858)	7550 (3425)	7550 (3425)
Breakout force @ 800 mm, lb. (kg)	5800 (2631)	7000 (3175)	7000 (3175)
Breakout force @ pins, lb. (kg)	6650 (3016)	8150 (3697)	8150 (3697)
Max. lift height, in. (mm)	(A) 176 (4470)	187 (4750)	187 (4750)
Max. lift height under level bucket, in. (mm)	(B) 164 (4166)	175 (4445)	175 (4445)
Clearance w/bucket dumped, in. (mm)	(C) 138 (3505)	150 (3810)	150 (3810)
Reach @ max. lift height, in. (mm)	(D) 31 (787)	35 (889)	65 (1651)
Max. dump angle, degrees	(E) 45	57	58
Reach @ ground line, in. (mm)	(F) 115 (2921)	109 (2769)	109 (2769)
Bucket rollback angle, degrees	(G) 45	38	38
Digging depth, in. (mm)	(H) 7 (178)	6 (152)	6 (152)
Raising time, seconds	4.6	3.4	3.4
Lowering time, seconds	3.7	2.7	2.7
Bucket dump time, seconds	2.9	1.8	1.8
Bucket rollback time, seconds	2.9	1.8	1.8
Approx. weight, lb. (kg) (loader w/o bucket)	1675 (760)	1780 (807)	1780 (807)

NSL = non self leveling MSL = mechanical self leveling (ss) = SuperSteer
 NOTES: Specification based on ASAE (S301.3) and are subject to change without notice.
 Dimensional and performance specifications are based on typical tractors and tire sizes.



New Holland 800TL Series Front-End Loader Specifications



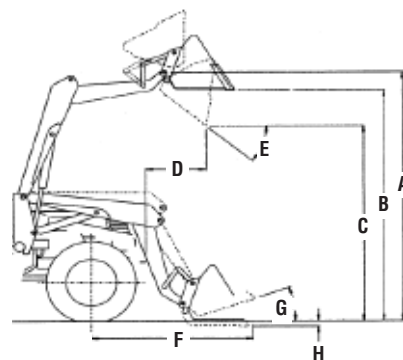
Loaders for T7000 Tractors

LOADER MODEL	850TL	850TL	860TL
Loader type, NSL or MSL	NSL	MSL	MSL
TRACTOR FAMILY	T7000	T7000	T7000
TRACTOR MODELS	T7030 - T7040	T7030 - T7040	T7030 - T7060
Lift capacity @ max. height @ 800 mm, lb. (kg)	4300 (1950)	4650 (2109)	4900 (2222)
Lift capacity @ max. height @ pins, lb. (kg)	6050 (2744)	5350 (2426)	5450 (2472)
Lift capacity @ 59 in. high @ 800 mm, lb. (kg)	4750 (2154)	5100 (2313)	5450 (2472)
Lift capacity @ 59 in. high @ pins, lb. (kg)	6750 (3061)	5950 (2698)	6300 (2857)
Breakout force @ 800 mm, lb. (kg)	5000 (2267)	5350 (2426)	5800 (2630)
Breakout force @ pins, lb. (kg)	7200 (3265)	6300 (2857)	6650 (3016)
Max. lift height, in. (mm)	(A) 169 (4292)	169 (4292)	178 (4521)
Max. lift height under level bucket, in. (mm)	(B) 157 (3987)	157 (3987)	166 (4216)
Clearance w/bucket dumped, in. (mm)	(C) 131 (3327)	131 (3327)	140 (3556)
Reach @ max. lift height, in. (mm)	(D) 29 (436)	29 (436)	36 (914)
Max. dump angle, degrees	(E) 55	56	55
Reach @ ground line, in. (mm)	(F) 104 (2641)	104 (2641)	113 (2870)
Bucket rollback angle, degrees	(G) 41	41	43
Digging depth, in. (mm)	(H) 4 (101)	4 (101)	6 (152)
Raising time, seconds	3.5	3.1	4.6
Lowering time, seconds	2.6	2.4	3.7
Bucket dump time, seconds	2.4	1.9	2.9
Bucket rollback time, seconds	1.9	1.9	2.9
Approx. weight, lb. (kg) (loader w/o bucket)	1385 (628)	1570 (712)	1675 (759)

NSL = non self leveling MSL = mechanical self leveling (ss) = SuperSteer

NOTES: Specification based on ASAE (S301.3) and are subject to change without notice.

Dimensional and performance specifications are based on typical tractors and tire sizes.



New Holland 800TL Series Front-End Loader Specifications



Attachments for 800TL Series Loaders

Standard material buckets, in. (mm)	63 - 102 (1600 - 2591)
Heavy-duty material buckets, in. (mm)	73 - 102 (1854 - 2591)
Heavy-duty material bucket w/teeth, in. (mm)	63 - 83 (1600 - 2108)
Standard high capacity material bucket, in. (mm)	79 - 102 (2007 - 2591)
High tipping bucket, in. (mm)	91 (2311)
Heavy-duty grading bucket, in. (mm)	85 (2159)
Manure fork, in. (mm)	59 - 90 (1499 - 2286)
Multi use fork, in. (mm)	59 & 79 (1499 & 2007)
Rock fork, in. (mm)	59 & 79 (1499 & 2007)
Pallet fork, in. (mm)	38 & 47 (965 & 1194)
Pallet fork attachments, in. (mm)	Log Grapple, Bale Spike & Lift Arm
Heavy-duty Silage King bucket and grapple, in. (mm)	63 - 79 (1600 - 2007)
HD Silage King fork and grapple, in. (mm)	51 - 98 (1295 - 2489)
HD silage block cutter and grapple, in. (mm)	44 - 75 (1118 - 1905)
Heavy-duty bale grip, in. (mm)	63 & 79 (1600 & 2007)
Universal bale grip, in. (mm)	51 & 63 (1295 & 1600)
Combo bale/pallet fork, in. (mm)	71 (1803)
Bale support for combo bale/pallet fork	
Heavy-duty round or square plastic wrapped bale grip, in. (mm)	Bale size 23 - 80 (584 - 2032)
Bale split attachment	STD & HD
Bale spike	
Round and large square bale fork	2 Tines
Square bale fork, in. (mm)	55 & 75 (1397 & 1905)
Heavy-duty "Round Bale King" buckets	
with tines & grapple, in. (mm)	83 - 102 (2108 - 2591)
with tine holder, in. (mm)	83 - 102 (2108 - 2591)
with grapple and extended floor, in. (mm)	83 - 102 (2108 - 2591)
less tine holders, in. (mm)	83 - 102 (2108 - 2591)

See your New Holland dealer for specific loader applications.

Visit our Web site at www.newholland.com/na Or, call toll-free: 1-888-290-7377

Design, materials and/or specifications are subject to change without notice and without liability therefor. Specifications are applicable to units sold in Canada, the United States, its territories and possessions, and may vary outside these areas.



Safety begins with a thorough understanding of the equipment. Always make sure you and your operators read the Operator's Manual before using the equipment. Pay close attention to all safety and operating decals and never operate machinery without all shields, protective devices and structures in place.