



NTI® NETWORK
TECHNOLOGIES
INCORPORATED

1275 Danner Dr Tel:330-562-7070
Aurora, OH 44202 Fax:330-562-1999
www.networktechinc.com

UNIMUX™ Series

UNIMUX-USBV-x

USB KVM Switch

Installation and Operation Manual



TRADEMARK

UNIMUX is a trademark of Network Technologies Inc in the U.S. and other countries

COPYRIGHT

Copyright © 2000-2007 by Network Technologies Inc. All rights reserved. No part of this publication may be reproduced, stored in a retrieval system, or transmitted, in any form or by any means, electronic, mechanical, photocopying, recording, or otherwise, without the prior written consent of Network Technologies Inc, 1275 Danner Drive, Aurora, Ohio 44202.

CHANGES

The material in this guide is for information only and is subject to change without notice. Network Technologies Inc reserves the right to make changes in the product design without reservation and without notification to its users.

Application Note: This manual applies to UNIMUX-USBV-x switches made on or after October 1, 2004.

TABLE OF CONTENTS

INTRODUCTION	1
MATERIALS	1
DEFINITIONS.....	2
FEATURES AND FUNCTIONS.....	3
RACKMOUNTING INSTRUCTIONS.....	4
To Mount to a Rack	4
INSTALLATION.....	5
Power-Up Sequence.....	7
Limitations.....	7
USING THE UNIMUX USB KVM SWITCH	8
Front Panel Control.....	8
Keyboard Control.....	8
MODES OF OPERATION	9
Basic Command Mode	9
Scan Mode.....	9
Broadcast Mode.....	10
Normal Mode	10
No Sun Sleep Mode.....	10
Select Country Code.....	10
Mice and Trackballs with MACs.....	11
OSD CONTROL	12
Security Option	12
Enabling the Security Feature	12
User Login Mode.....	13
ADDITIONAL MODES AVAILABLE WITH SECURITY	13
Administration Mode.....	13
Administrator Password.....	14
User Name List	14
Edit User	15
Alternate Command Hot Key.....	16
USER ACCESS FUNCTIONS.....	16
OSD Command Mode	16
Broadcast Mode.....	17
Scan Mode.....	18
Normal Mode	18
Edit Mode.....	18
Change Settings	19
Select Ports For Broadcast.....	19
Select Ports For Scan.....	20
Language Selection	20
MAC Ports Configuration	20
Search Mode.....	21
Maintenance Mode	22
Help Mode.....	23
F3- Display Information.....	23
RS232 CONTROL.....	24
RS232 Connections and Configuration	24
Remote Connection	24
Baud Rate.....	24
Unit Address and Loop Back.....	25
Command Protocol.....	26
Matrix Switcher's Control Program For Windows 9X, NT, AND 2000	27
SerTest- RS232 Interface Test Program	27
Main Options.....	27
MOUSE CLICK EQUIVALENTS	29
KEYBOARD FEATURES	29
Keyboard-To-Computer Translation	29

Translation Capabilities	29
Translation Tables	29
International Sun Keyboards	30
CASCADING	31
Configuration	31
Cascaded Installation	31
Limitations.....	34
TROUBLESHOOTING	34
WARRANTY INFORMATION.....	34

TABLE OF FIGURES

Figure 1- Secure rackmount ears to switch.....	4
Figure 2- Secure switch to a rack.....	4
Figure 3- Connect a VGA multi-scan monitor	5
Figure 4- Connect the device(s).....	5
Figure 5- Connect the AC line cord.....	6
Figure 6- Connect each CPU	6
Figure 7- Compatible device combinations	7
Figure 8- Country Codes for international SUN keyboards.....	10
Figure 9- Administrator Login screen	12
Figure 10- User Login screen.....	13
Figure 11- Administration Mode menu	13
Figure 12- Administrator password change	14
Figure 13- User Name List screen	14
Figure 14- Edit the user access list	15
Figure 15- Command Mode screen	16
Figure 16- More Command Mode features	17
Figure 17- Edit Mode screen	18
Figure 18- Change Settings menu	19
Figure 19- Select ports for broadcasting.....	19
Figure 20- Select ports for scanning	20
Figure 21- Select the keyboard language	20
Figure 22- Configure Ports for MAC screen.....	21
Figure 23- Search Mode screen.....	21
Figure 24- Maintenance Mode screen	22
Figure 25- Information provided by the F3 command	23
Figure 26- RS232 dip-switches	24
Figure 27- RS232 connection with Matrix-Y-1 cable.....	25
Figure 28- Pinout of Matrix-Y-1 cable	25
Figure 29- RS232 Communication Illustrated	26
Figure 30- Keyboard Layouts	30
Figure 31- Connections for Cascading.....	31
Figure 32- Cascaded configuration with multi-user slaves	32
Figure 33- Master-to-slave device cable connections- single-user switches.....	33
Figure 34- Master to slave cable connections- multi-user switches.....	33

INTRODUCTION

The UNIMUX-USBV-x (formerly referred to as KEEMUX-USBV-xU) USB KVM switch (UNIMUX) allows access to any Windows, MAC, or SUN USB CPUs from one monitor, USB keyboard and USB mouse (up to 32 CPUs as a single switch or 512 CPUs when cascaded). Internal microprocessor circuitry allows all USB CPUs to be booted simultaneously without keyboard error. Port selection is accomplished by front panel push buttons or commands typed on the keyboard. Port lights and status LEDs continuously update on the front panel.

Available Options

- Switch models are available in 60 or 50 Hz, and 110 or 220V.
- On Screen Display (OSD) Control feature will superimpose operating menus directly onto the monitor for security administration and control. (Model UNIMUX-USBV-xO)
- RS232- Control the switch(s) from the serial port of any CPU with an RS232 port. (Model UNIMUX-USBV-xRS)
- Configuration is expandable by cascading switches (master must be UNIMUX-USBV-xO, slaves can be non-OSD)

Types of User Input Devices Supported:

- USB keyboard with Windows layout
- USB keyboard with SUN layout
- USB keyboard with MAC layout
- USB Mouse - (up to 3 buttons)
- USB IntelliMouse (scrollwheel)
- USB Hub
- Mouse-Trak trackball
- Logitech, Kensington and Microsoft Wheelmouse or Trackball on Mac CPUs with special drivers
- Logitech Cordless Elite Duo keyboard and mouse
- Crystal Vision keyboard with touchpad
- Gyration keyboard/mouse
- NTI USB-PS/2 Adapter
- NTI USB-SUN Adapter
- VGA, XGA, SVGA, and most DVI monitors (when used with NTI DVIF-15HDM adapter)

Types of CPUs Supported:

Any USB CPU supporting USB version 1.0 or above including:

- USB WINxx
- USB MAC
- USB SUN

MATERIALS

Materials supplied with this kit:

- NTI UNIMUX-USBV-x (2,4,8,12,16,24, or 32 ports) USB KVM Switch
- 120VAC or 240VAC at 50 or 60Hz-5VDC/2.0A AC Adapter
- Line cord, country specific
- Rack mount kit (4 and 8 port models only)
- CD with pdf file of this manual

Materials Not supplied but **REQUIRED**:

- A USBVEXT-xx-MM cable for each USB CPU being connected to the switch must be used for monitor, keyboard and mouse interface.
- A REXT-SR-xx interface cable for each slave switch being attached to the master switch in a cascaded configuration (only required if one or more slave switches was made prior to 10-1-04)

where:

xx is the length of the cable in feet

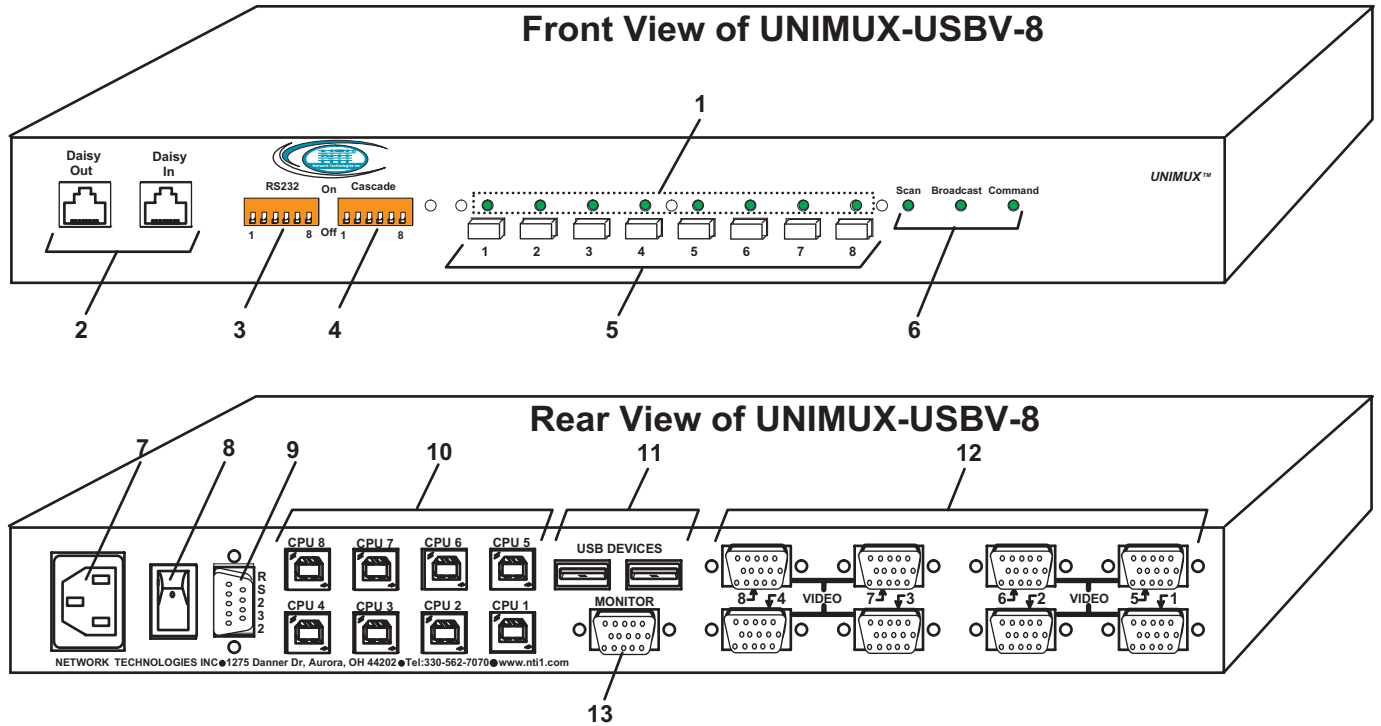
MM indicates male-to-male connector

Cables can be purchased from Network Technologies Inc by calling (800) 742-8324 (800-RGB-TECH) in the US and Canada or (330) 562-7070 (worldwide).

DEFINITIONS

- USB Composite Device A USB device that contains multiple endpoints each representing input devices that cannot be separated (i.e. a keyboard with a built-in mouse)
- USB Hub A USB device that allows one or more USB input devices to plug in to the USB. The hub has exactly one upstream port with one or more downstream ports which input devices connect to
- CPU Enclosure that contains the operating system and processor (i.e. Sun with SPARCstation5, Windows 95 with Pentium II)
- Input Device Keyboard or Mouse
- System One or more CPUs connected to one or more switches controlled by one or more input devices

FEATURES AND FUNCTIONS



FEATURES AND FUNCTIONS

1. CPU Status LEDs- for visual indication of connection between the user and a specific CPU.
2. Daisy In/Out - for attaching interface cables (REXT-SR-xx) between slave switches and the master switch (only necessary when connected to UNIMUX-USBV-xO switches made prior to 9/22/04)
3. RS232- (optional) Dip switches for configuring switch address when RS232 is used
4. Cascade- Dipswitches for configuring cascaded switches (only necessary when connected to switches made prior to 9/22/04)
5. CPU Select Switches- push to manually switch to a specific CPU or change the switch operating mode
6. Mode Status LEDs- for visual indication of switch operating mode
7. IEC Connector- for attachment of country-specific power cord
8. Power Switch- to power up or power down the UNIMUX
9. RS232-(optional) 9DB male connector- for attachment of RS232 control cable
10. CPU x- USB type B female connector-for connection of USB device cable from CPU(s)
11. DEVICES- USB type A female connector- for connection of user USB device(s)
12. VIDEO-x- 15HD female connectors- for connecting video cables from CPUs
13. MONITOR- 15HD female connector- for connection of the user video monitor

RACKMOUNTING INSTRUCTIONS

This NTI switch was designed to be mounted to a rack or to set on a desktop. It includes rackmount ears to make attachment to a rack easy, and rubber feet to be applied to the bottom of the case if it will instead sit on a flat surface. If this will sit on a flat surface, simply apply the rubber feet to the bottom of the case in each of the 4 corners.

To Mount to a Rack

1. Attach the ears to the switch using the 6-32x3/16" flat Phillips-head screws (6) provided as shown in the illustration below. The holes in the ears should line up with pre-threaded holes in the sides of the NTI switch. Tighten the screws securely.

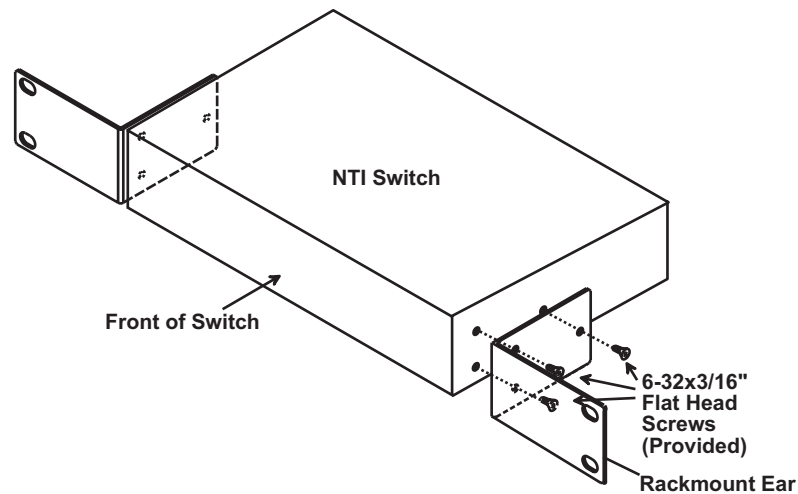


Figure 1- Secure rackmount ears to switch

2. Install 4 captive nuts (not provided) to the rack in locations that line up with the holes in the mounting ear on the NTI switch.
3. Secure the NTI switch to the rack using four 3/16" diameter screws (not provided). Each screw should be of sufficient length to go completely through the NTI mounting ear, rack frame and fully engage all threads in the captive nut. Be sure to tighten all mounting screws securely.
4. Attach all cables securely to the switch and where necessary supply adequate means of strain relief for cables.

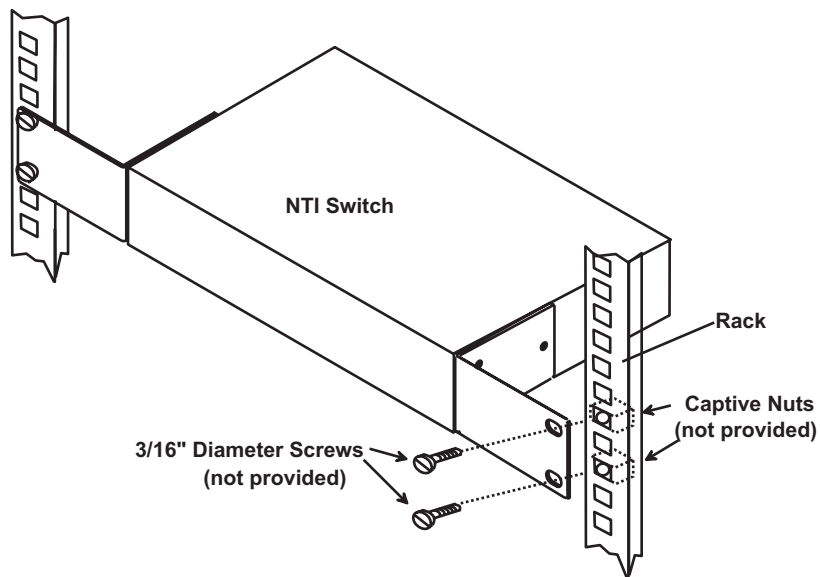


Figure 2- Secure switch to a rack

INSTALLATION

1. It is not necessary to turn the CPUs or monitors OFF during this installation.
2. Connect the cable from a VGA multi-scan monitor to the 15HD connector labeled "MONITOR" on the UNIMUX (See Fig. 3 below.)

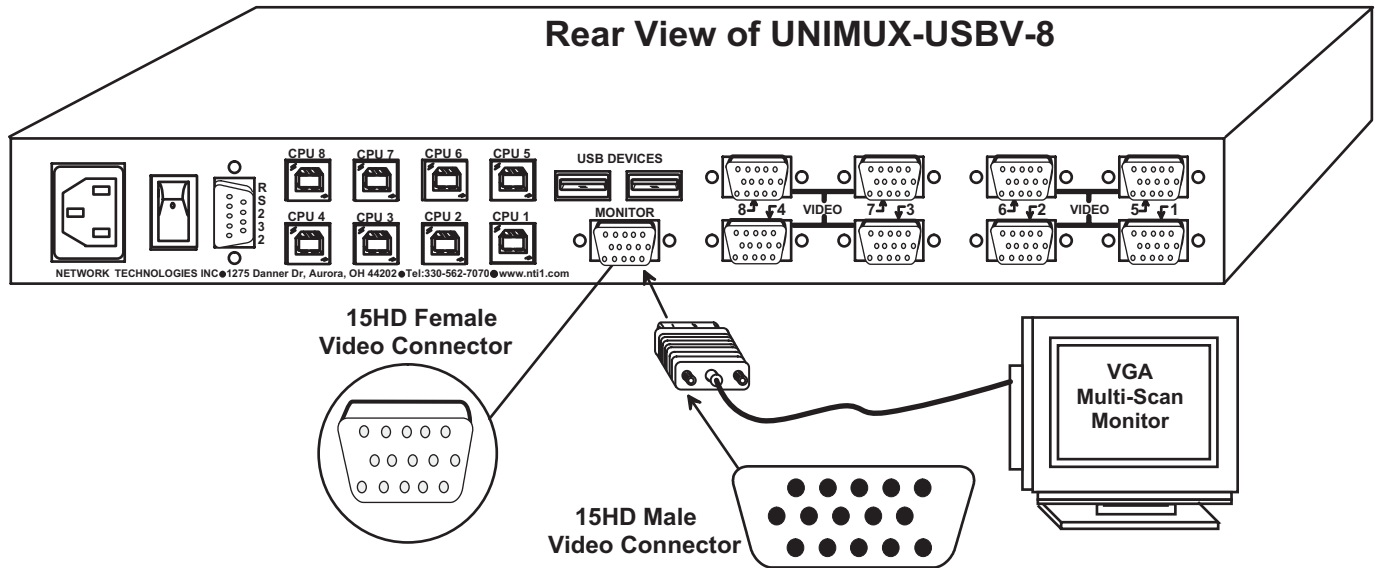


Figure 3- Connect a VGA multi-scan monitor

3. Connect the male USB type A connector on the keyboard cable to either one of the two USB type A female connectors labeled "DEVICES" on the rear panel of the UNIMUX.
4. Connect the male USB type A connector on the mouse cable to the remaining USB type A female connector labeled "DEVICES".

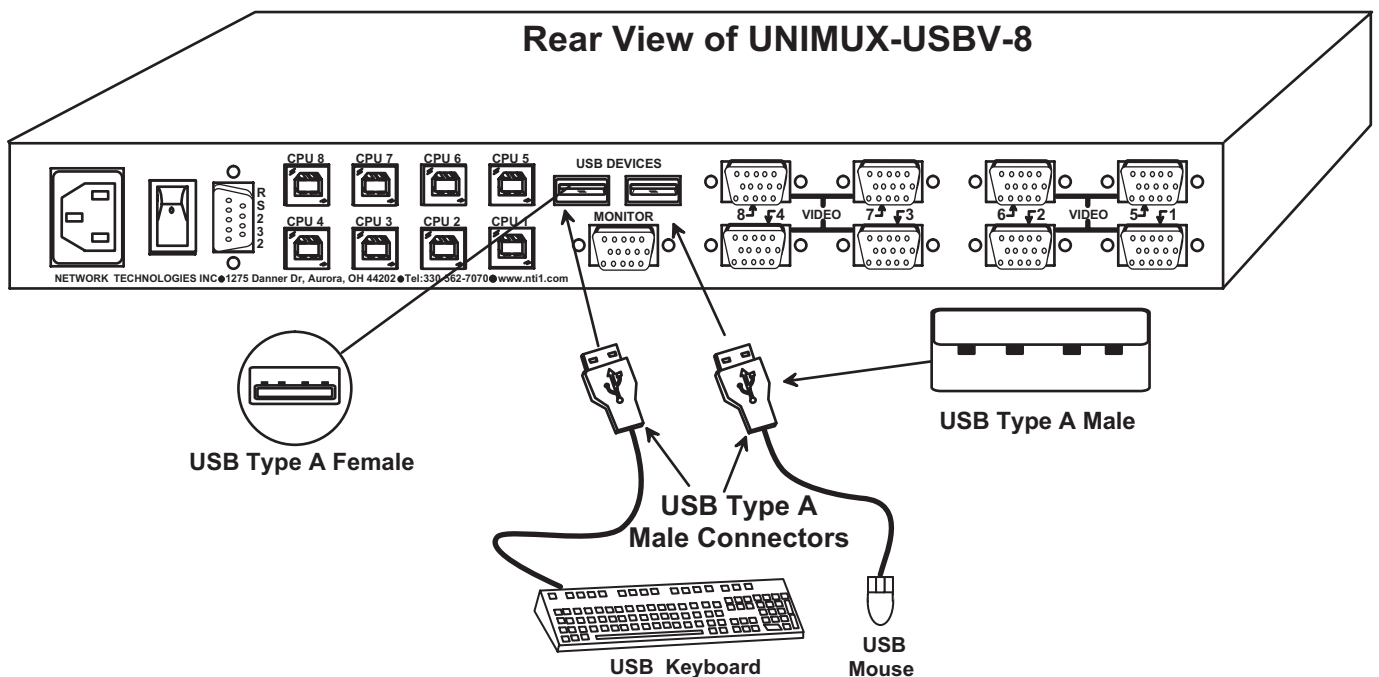


Figure 4- Connect the device(s)

5. When cascading switches, follow the instruction on page 29 for "Cascading".
6. Connect the AC line cord to the UNIMUX. (See Fig. 5 below.)

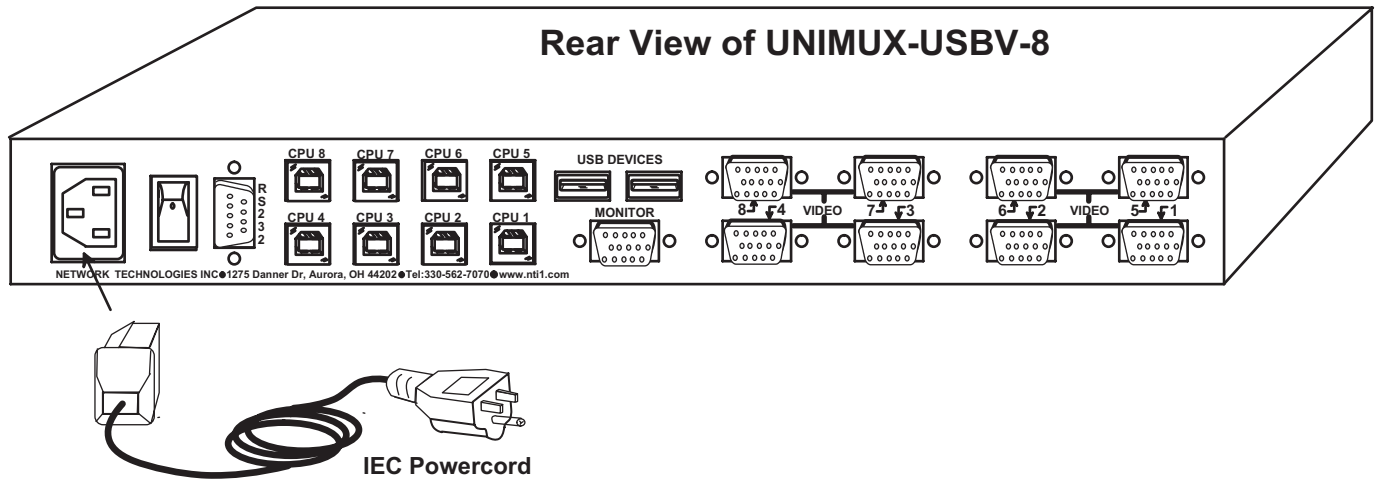


Figure 5- Connect the AC line cord

7. Connect each CPU to the USB switch using a USBVEXT-xx-MM video and input device interface cable – REQUIRED (not supplied). (See Fig. 6 below.)
8. Group the input device and monitor interface cables from each CPU, making sure that cables from the first CPU are connected to the UNIMUX at connectors CPU 1 and VIDEO 1. Cables from the second CPU should connect to CPU 2 and VIDEO 2 connectors...etc.

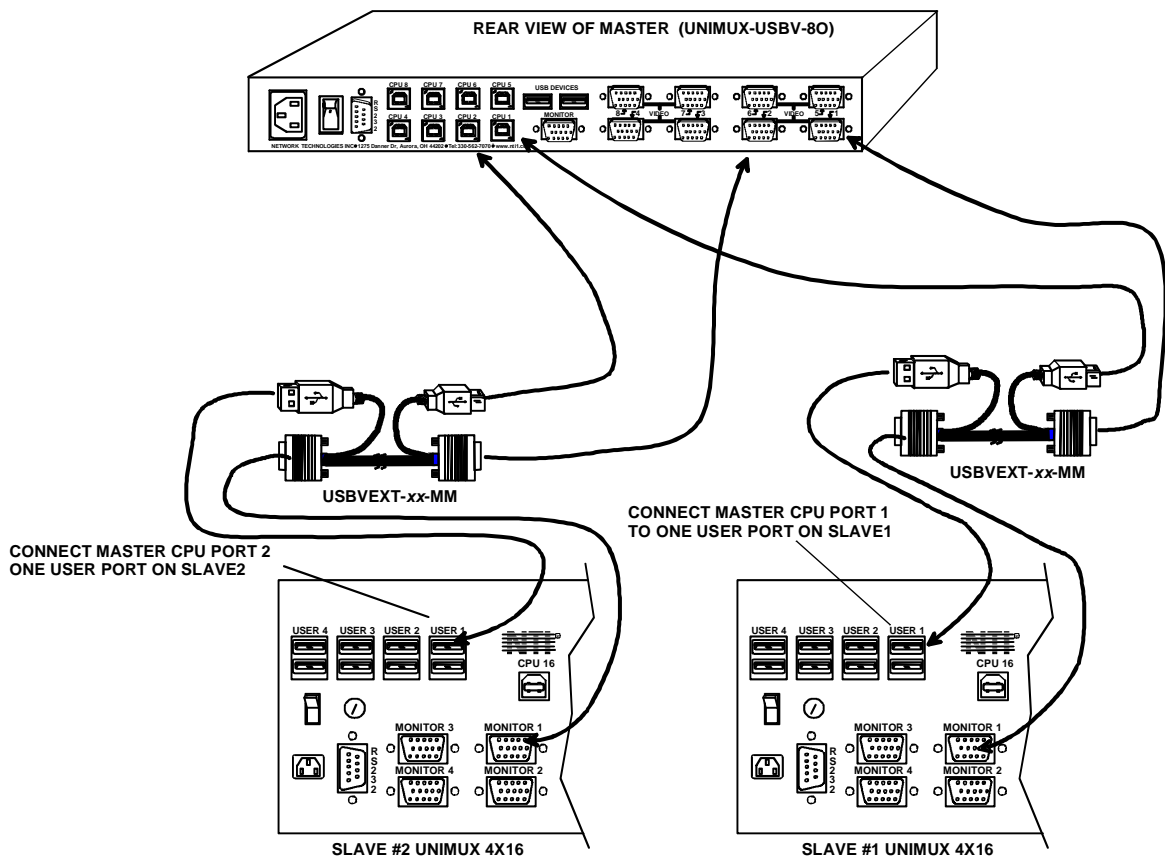


Figure 6- Connect each CPU

Power-Up Sequence

- The UNIMUX can be powered at any time.
- The CPUs can be powered at any time although if a CPU needs a keyboard and/or mouse at power-ON it should be powered after connecting to and powering-ON the UNIMUX.
- USB input devices (keyboard and mouse) can be hot plugged to and from the UNIMUX at any time.

Immediately after powering ON the UNIMUX, the following splash screen will appear on the monitor if the OSD option is built into the switch:



If the security option is enabled (see page 12 for details on the "Security Option"), when the UNIMUX is powered up the user will be prompted for a username and password to continue. If the security option is not enabled the monitor will display the desktop image for the connected CPU and the user can continue with normal operation of the connected CPU.

Limitations

- Only USB input device or hub cables can be connected to the UNIMUX at the USB Type A female ports labeled "DEVICES". (See Features and Functions on page 3, item 11.)
- A USB hub (single or multi-port) can be used provided only USB input devices are plugged into it.
- Only a USB Windows or SUN keyboard or USB mouse may be connected to the USB port on a USB MAC keyboard
- A maximum of 8 input devices may be connected to the UNIMUX either directly or through hubs.

See Fig. 7 for some examples of input device combinations that can be used with the UNIMUX.

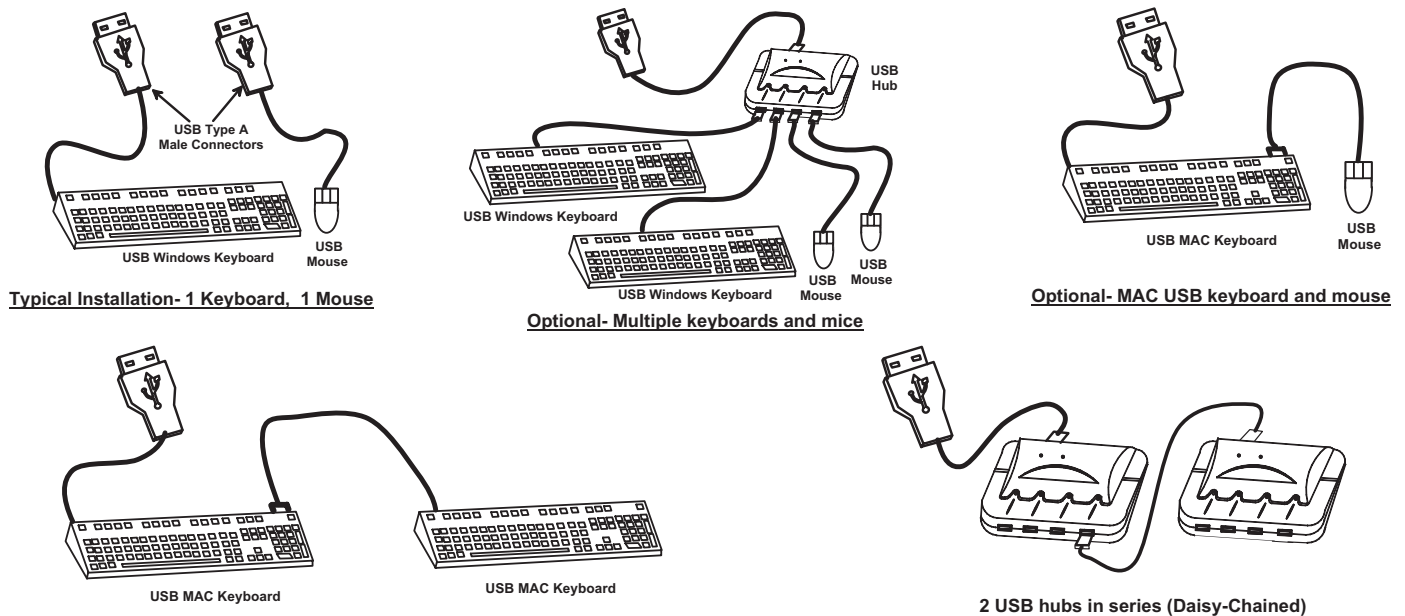


Figure 7- Compatible device combinations

USING THE UNIMUX USB KVM SWITCH

Once the UNIMUX is properly connected, the UNIMUX will enable a connection to be made between the CPUs attached to its VIDEO and CPU ports and the monitor and input devices attached to the MONITOR and DEVICES ports. The LEDs on the control panel of the UNIMUX will illuminate depending on which port (and corresponding CPU) is being connected to the monitor and input devices.

The UNIMUX can be controlled by three methods:

- front control panel using touch-switches and LEDs
- keyboard control through Command Mode
- mouse clicks from within some menus of OSD Command Mode (optional).

Front Panel Control

There is a touch-switch and LED on the front panel of the UNIMUX for each CPU the switch will connect the monitor and input devices to. Pressing any touch-switch on the front panel of the UNIMUX will connect the corresponding CPU to the monitor and input devices.

Holding down any front panel touch-switch for more than 2 seconds will cause the UNIMUX to cycle through all modes of operation including COMMAND, BROADCAST, SCAN, and NORMAL (described in "Basic Command Mode" on page 8 and in "User Access Functions" starting on page 15). The three MODE LEDs on the front panel indicate which mode is selected. Release the touch-switch when the LEDs indicate the desired mode. When no mode LEDs are illuminated the user is in Normal Mode controlling directly the CPU to which the user is connected through the UNIMUX.

Keyboard Control

Keyboard control of the UNIMUX can be achieved using either of two methods:

- **Basic Command Mode**- operated strictly by using keyboard commands as instructed below. Basic Command Mode is only applicable if the OSD option is not built into the switch.
- **OSD Command Mode** (optional)- operated using the keyboard and mouse in conjunction with OSD menus superimposed onto the monitor. If OSD is built in, use the menus as instructed on page 12.

By pressing <Ctrl> + < ` > (accent key), the user can enter Command Mode (either Basic, or OSD). Once in Command Mode, typing a series of commands will cause the UNIMUX to connect the user to any one CPU connected to the switch. Pressing the <Esc> key will exit Command Mode.

MODES OF OPERATION

Basic Command Mode

In order to control the UNIMUX with the keyboard connected, Command Mode must be enabled. To enter Command Mode from the keyboard:



NOTE: IF THE OSD FEATURE HAS BEEN INSTALLED, PROCEED DIRECTLY TO "OPTIONAL OSD CONTROL" ON PAGE 12. If not, continue on this page.

When the COMMAND LED is illuminated, all 3 status lights on the keyboard will illuminate (if they aren't already due to caps lock, scroll lock, and/or num lock) to indicate that Command Mode is enabled and the following functions are available:

Basic Command Functions



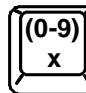
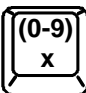
Function: Keystroke:


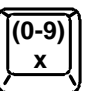

Increment Port  or  (select the next higher port ex. 05 → 06)




Decrement Port  or  (select the next lower port ex. 02 → 01)




Toggle Scan Mode ON and OFF  (The SCAN Mode LED will also toggle ON and OFF)


Toggle Broadcast Mode ON and OFF  (The Broadcast Mode LED will toggle ON and OFF.)

Sets scan time-out period for each port.  -  -  -  (xxx from 002 to 255. ie. T002 would set the time-out period for 2 seconds)

Selects a specific port  -  -  (Pxx would be P01, P02, etc.)

Configure port to connect To a MAC CPU  +  +  (xx= 01-32 <M> + <0> + <1> will enable function on Port 1 <M> + <3> + <2> will enable function on Port 32. Keyboard LED's will flash once to confirm command.)

Configure port to connect To a WINDOWS or SUN CPU  +  +  (xx= 01-32 <W> + <0> + <1> will disable function on Port 1 <W> + <3> + <2> will disable function on Port 32. Keyboard LED's will flash once to confirm command.)

Exit Command Mode 

KEY SYMBOLS LEGEND:	
OR	PRESS EITHER KEY
+	CHORDED SEQUENCE- PRESS CONSECUTIVELY AND KEEP KEYS PRESSED UNTIL ALL ARE PRESSED.
-	PRESS CONSECUTIVELY

FYI: The user must exit Command Mode to type to a CPU.

To exit Command Mode, either hold down any touch-switch on the front panel for more than 2 seconds, OR press <ESC> on the keyboard.

Scan Mode

When in Scan Mode the switch scans to each port with a CPU powered-ON. (The SCAN LED on the front panel will illuminate and remain ON while in Scan Mode.) The port with the CPU powered-ON remains active while in use until it becomes idle for the configured dwell time (default time-out period is 5 seconds) before switching to the next powered-ON CPU port. See Command Mode section above for configuring the scan dwell time.

Note: The keyboard and mouse must remain idle for the full scan dwell time before the switch selects the next active port.

Broadcast Mode

To activate Broadcast Mode press <Ctrl> + from the Command Mode menu.

Broadcast Mode enables the user to type characters to more computers simultaneously. From the Change Settings menu (see page 18) the user can edit the list of ports that receive data in Broadcast Mode. A port doesn't receive broadcast data if one of the following conditions is true:

- the port is not in the Broadcast Mode list
- Security Mode is enabled and the user does not have access rights to the port

NOTE: The user must type somewhat slowly when in Broadcast Mode (less than 20 wpm) and cannot use the <Backspace> key.

Normal Mode

When all of the UNIMUX mode LEDs are OFF the user is in Normal Mode, controlling the CPU to which the user is connected through the UNIMUX.

No Sun Sleep Mode

PLEASE NOTE: It is necessary to configure a Sun CPU (most versions) such that the Sleep Mode is not enabled. If the Sun CPU goes into Sleep Mode either automatically or manually, the user must reboot the Sun CPU in order to resume use of the Sun CPU.

To disable the Sleep Mode, perform the following steps:

1. Select "Power Manager"
2. Look for "Device Idle Time Before Power Saving Starts"
3. Select "Always ON"
4. Look for "Override Device Idle Time For:"
5. Make sure neither "Monitors" nor "Disks" are selected.

Select Country Code

It is possible to configure the UNIMUX to emulate a specific international Sun keyboard regardless of what actual keyboard is connected. This is recommended when the CPU needs the layout code (i.e. a SUN CPU) and the keyboard doesn't have an explicit layout code (i.e. some Windows keyboards). To do this, manually set the UNIMUX to indicate the international keyboard identification number to the CPU using the following procedure;

1. Connect the keyboard to be used to the UNIMUX
2. Enter Command Mode
3. Type Lxx, where xx is the number from the list below that corresponds to the desired country code
4. Exit Command Mode
5. Reboot the CPU connected to the UNIMUX

Country Codes

00	Auto Detect	13	International (ISO)	26	Swedish
01	Arabic	14	Italian	27	Swiss/French
02	Belgian	15	Japan (Katakana)	28	Swiss/German
03	Canadian-Bilingual	16	Korean	29	Switzerland
04	Canadian-French	17	Latin American	30	Taiwan
05	Czech Republic	18	Netherlands/Dutch	31	Turkish
06	Danish	19	Norwegian	32	UK
07	Finnish	20	Persian (Farsi)	33	US
08	French	21	Poland	34	Yugoslavia
09	German	22	Portuguese		
10	Greek	23	Russia		
11	Hebrew	24	Slovakia		
12	Hungary	25	Spanish		

Figure 8- Country Codes for international SUN keyboards

For more on international SUN keyboards, see page 29.

Mice and Trackballs with MACs

The UNIMUX can be configured to enable full functionality between mice and trackballs having two or more buttons and USB MAC CPUs. By default, the ports on the UNIMUX are configured for use with WINDOWS and SUN CPUs and have no special translation for using multi-function mice and trackballs when a MAC CPU is connected. Using the commands <M> + <x> + <x> (xx = port number), or <W> + <x> + <x> in Command Mode (page 8), either enable or disable this feature as needed for each port.

NOTE: Be sure to re-configure port for connection to a WINDOWS or SUN CPU if a MAC CPU is removed and a WINDOWS or SUN CPU is then connected.

OSD CONTROL

OSD superimposes a menu system on the user's video screen with a list of all connected CPUs. OSD allows CPUs to be named (with up to 12-character names). OSD then allows selection of CPUs by that name. Connected CPUs can be listed by name or by port number. OSD Search Mode enables the user to type in the first few characters of the CPU's name and the OSD will locate it. Help screens assist with all OSD functions.

Security Option

The security option of the OSD Control enables an administrator to control access to CPU ports for each user. Up to 63 users can be created. These users have controlled access to any CPU. Only the administrator can activate or deactivate the security features. Security can be activated from the Maintenance Mode menu (page 22) with a successful administrator login for verification purposes. Furthermore, the administrator can set a maximum idle time value after which the current user will be logged out and the login screen displayed. This time out does not function while the OSD is active. The current security status, idle time out, and scan dwell time are all saved and will be restored whenever power to the switch is cycled OFF, then ON. To reset the administrator's password call NTI and have the device serial number of the UNIMUX available.

Enabling the Security Feature

To enable the security feature the administrator must first enter Command Mode from the keyboard using the sequence <Ctrl> + <> (accent key). The OSD menu will automatically appear on the monitor in addition to illuminating the Command Mode indicator LED on the UNIMUX. This provides a visual way to control the UNIMUX using the keyboard and mouse.

The administrator, when setting the USB KVM switch up for the first time, may want to proceed directly to the ADMINISTRATION Mode by typing <CTRL> +<M>, then <A>, and then <Y>.

The factory settings are:

- default user name = ADMINISTRATOR
- default password = ADMINISTRATOR

Note: The user name for the administrator cannot be changed from "ADMINISTRATOR".

FYI: Capital letters are introduced by keeping the <Shift> key pressed while typing. The <Capslock> does not work while in OSD.

Once logged-in, follow the instructions on page 14 for setting up users and changing the password. Once the password is setup, if it is lost or forgotten the administrator will have to contact NTI for assistance on clearing the password and set it up again. Within the Administration Mode the administrator can setup each of the users and the limitations of their use of the individual CPUs attached to the switch.



Figure 9- Administrator Login screen

When a standard user powers up the system a security screen will appear if security has been enabled by the administrator. The user will need to login to the switch by following the instructions on page 13 for the USER LOGIN. If the user does not know the appropriate user name and password (setup by the administrator), contact the switch administrator for this information. Once logged-in a user can follow the Command Mode functions described on page 16 to control the switch within the limitations as determined by the administrator.

User Login Mode

User login mode requires a user to login with a user name and password from the list created by the administrator. This mode will also disable use of the front panel until the user logs in.

Function:

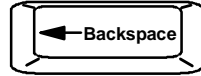
Keystroke:

Adds a character to the user name/password

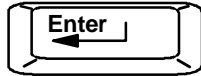


(Type any alphabetical or numeric character)

Removes previous character from the user name/password



Submit user name/password



Exit USER LOGIN and return to previous mode. This function is only available if security is not currently active.



Figure 10- User Login screen

If the password submitted is incorrect, the user will not be able to proceed.

If the password submitted is correct, the user will proceed to Normal Mode.

ADDITIONAL MODES AVAILABLE WITH SECURITY

The three modes that follow are only available if the administrator is logged in.

Administration Mode

To enter the Administration Mode menu press <A> from the Maintenance Mode menu (page 22).

Administration Mode allows the administrator to use the following functions:

Function:

Keystroke:

Change the administrator's password



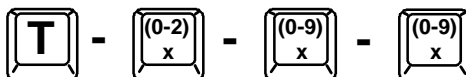
Disable security



Update User Name List



Selects the idle time in minutes



(xxx from 000 to 255. i.e. T002 would set the time-out period for 2 minutes. 000 will disable it)

Change Alternate Command Hot Key



(See page 15 for details)

Exit Administration Mode and return to previous mode



Figure 11- Administration Mode menu

Administrator Password

To change the administrator password press <C> from the Administration Mode menu.

The administrator is able to change the administrator password as needed (see Fig. 12). Two edit fields are available, one for password, the other for verify password. The password can be up to 13 characters in length.

Note: The default password for the administrator is ADMINISTRATOR.



Figure 12- Administrator password change

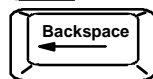
Function:

Keystroke:

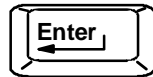
Add character to password string or verify password string



Delete previous character in edited string



Save new password.



(If Password string and Verify Password string are different, this command will have no effect, enabling the administrator to correct the password)

Move to next field to be edited



Return to Administration Mode



User Name List

To enter the User Name List press <U> from the Administration Mode menu.

The User Name List displays the list of users and provides control for adding new users (up to 63), changing or assigning user passwords, and changing access rights for any given user. User names may be up to 12 characters long, may not contain spaces, and are not case sensitive. Passwords may be up to 15 characters long, may not contain spaces, and are case sensitive.

Function:

Keystroke:

Select previous user in the list



Select next user in the list



Scroll the list with one page up



Scroll the list with one page down



Edit selected user settings- Enter Edit User Mode



Return to Administration Mode return to previous mode



Figure 13- User Name List screen

Edit User

To enter the Edit User mode press <E> from the User Name List after selecting a user or an empty record.

The Edit User mode (see Fig. 14) enables the administrator to:

- add a new user
- remove an existing user
- edit the settings for an existing user

The Edit User mode contains three edit boxes and a check box list of up to 32 check boxes representing the User Access List (list of the CPU port(s) the user has access rights to).

The first edit box is used to edit the user name. The next two edit boxes are used to input the password twice (in order to verify it was typed correctly). The password can be up to 13 characters in length.

The check boxes are used to control the user access to the CPU ports. The user will only have access to check boxes with checks in them.



Figure 14- Edit the user access list

The list below describes the functions available in the Edit User mode:

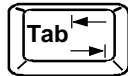
Function:

Keystroke:

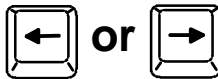
Add a character to user name string, password string, or verify password string, whichever is selected



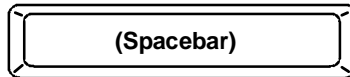
Switch sequentially between the User Name edit box, Password edit box, Verify Password edit box, and User Access List



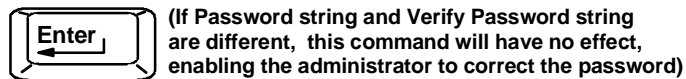
Navigate through User Access List when it is active



Toggle access rights (check/uncheck) of the highlighted port in the User Access List



Save the edited configuration. Administrator will be prompted for a Yes or No confirmation



Go back to User Name List menu



NOTE: To delete a user from the User Name List, use either the <Delete> key or the <Backspace> key to remove characters, not the <Spacebar>. Using the <Spacebar> will overwrite the characters with spaces and retain the user configuration in the User Name List. .

Alternate Command Hot Key

To enable the administrator to assign a key in addition to the <`> (accent key) to use with <Ctrl> to enter into OSD Command Mode, an Alternate Command Hot Key option is provided. The default factory setting for this option is <`> (disabling the option).

To select an Alternate Command Hot Key, press <X> from Administration Mode menu (page 13). A window will open and the administrator will be prompted to press a key. After pressing the key, a confirmation message will appear. The administrator should press <Y> (Yes) to validate the key as the Alternate Command Hot Key, or <N> (No) to select another key. Pressing <Esc> will return to the Administration Mode menu.

Only the administrator is allowed to set or change the Alternate Command Hot Key. This function must be set individually for each of the USB User Device ports on the UNIMUX USBV-x USB KVM switch .

Note: The Alternate Command Hot Key does not replace the <`> (accent) key, it just works as another way to enter into Command Mode. After setting it, the user can enter into Command Mode either with <Ctrl> + <`> or with <Ctrl> + <Alternative Command Hot Key> combination. To disable it, the administrator should set <`> as the Alternate Command Hot Key.

USER ACCESS FUNCTIONS

Introduction

The OSD menu enables a user to name the CPUs connected to the UNIMUX and connect to them using that name from a single keyboard and mouse. The OSD is positioned on the user's monitor, displaying 8 CPU names at a time. The screen can be used for switching as well as editing the CPUs' names. Through the OSD menu, the user can operate the UNIMUX to have the switch cycle through 3 extended modes of operation: COMMAND, BROADCAST, and SCAN . Three LEDs on the front panel indicate when these modes are enabled.

OSD Command Mode

When entering the Command Mode from the keyboard using the <Ctrl> + <`> (accent key), the OSD menu will automatically appear on the monitor in addition to illuminating the COMMAND indicator LED on the USB KVM switch. This provides a visual way to control the UNIMUX.

The list below describes the OSD Command functions available from the keyboard after entering Command Mode and while the COMMAND LED is illuminated:









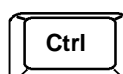

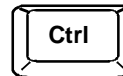

Function:	Keystroke:
Select the previous port	
Select the next port	
Enable/disable Scan Mode	 + 
Enable/disable Broadcast Mode	 + 
Enter Edit Mode	 + 
Enter Maintenance Mode	 + 
Enter Change Settings Menu	 + 



Figure 15- Command Mode screen

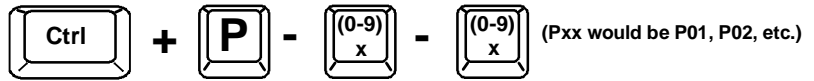
NOTE: Edit Mode will only be accessible if the administrator is logged in.

OSD Command Mode (Cont'd)

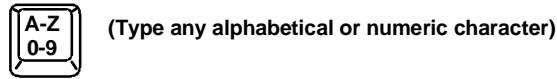
Function:

Keystroke:

Selects a specific port



Enters Search Mode and adds a character to search string and selects the CPU's name that matches best.



Selects the first port on the switch



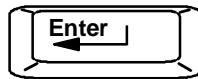
Selects the last port on the switch



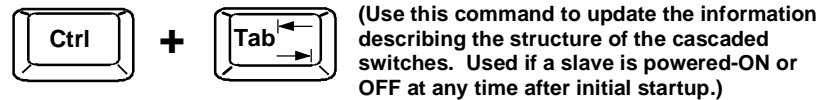
Display Help Menu



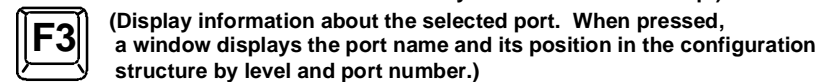
Switch to a selected port



Update Configuration



Display port information



Exit OSD Command Mode



Press <CTRL> while in the Command Mode menu to display the Edit, Maintenance, Port, and Settings control features.

Note: The user must exit Command Mode to type to a CPU.

To exit Command Mode, either hold down any touch-switch on the front panel for more than 2 seconds, OR press <ESC> on the keyboard.



Figure 16- More Command Mode features

The mouse can also be used to control the UNIMUX within the Command Mode menu.

- The mouse cursor can be moved to the Scan, Help, Broadcast, Settings, Maintenance, and Exit fields where the user can then click on the left mouse button to perform that function.
- Ports listed on the screen can be selected by moving the cursor onto that port and clicking. Clicking twice on a selected port will switch to that port and exit Command Mode.
- To change the displayed ports on the screen simply click on the up and down arrows located to the right of the port names displayed.

Broadcast Mode

To activate Broadcast Mode press <Ctrl> + from the Command Mode menu.

Broadcast Mode enables the user to type characters to more computers simultaneously. From the Change Settings menu (see page 19) the user can edit the list of ports that receive data in Broadcast Mode. A port doesn't receive broadcast data if one of the following conditions is true:

- the port is not in the Broadcast Mode list
- Security Mode is enabled and the user does not have access rights to the port

Note: The user must type somewhat slowly when in Broadcast Mode (less than 20 wpm) and cannot use the <Backspace> key.

Scan Mode

To activate Scan Mode press <Ctrl> + <S> from the Command Mode menu.

When in Scan Mode the switch scans to each port with a CPU powered-ON. (The SCAN LED on the front panel will illuminate and remain ON while in Scan Mode.) The port with the CPU powered-ON remains active while in use until it becomes idle for the configured dwell time (default time-out period is 5 seconds) before switching to the next powered-ON CPU port. See Command Mode section above for configuring the scan dwell time.

Note: The keyboard and mouse must remain idle for the full scan dwell time before the switch selects the next active port.

Note: The scan dwell time set by the user only effects that user and has no effect on other switch users.

Normal Mode

When the UNIMUX is not in Command, Broadcast, or Scan mode and all of the UNIMUX mode LEDs are OFF, the user is in Normal Mode, controlling the CPU to which the user is connected through the USB KVM switch.

Edit Mode

Note: Edit Mode will only be accessible if the administrator is logged in.

To activate Edit Mode press <Ctrl> + <E> from the Command Mode menu.

Edit Mode enables the administrator to modify the names of the CPUs connected to the switch. Names of CPUs can be up to 12 characters in length. Use the <Shift> key to introduce capital letters (the <Capslock> does not work in OSD).

Function:

Keystroke:

Move cursor one position to the right



Move cursor one position to the left



Move cursor to the previous port



Move cursor to the next port



Selects the first port on the switch



Selects the last port on the switch



Toggles between insert and overstrike



(The character either gets inserted and the remainder of the name gets shifted to the right, OR the current character gets overwritten.)

Erase current character



Erase previous character

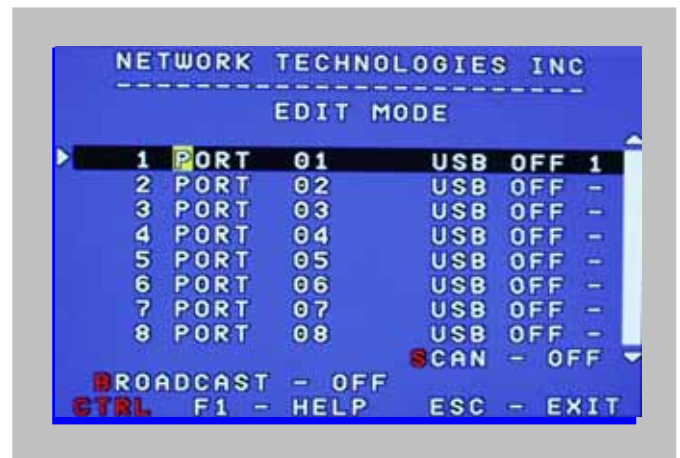
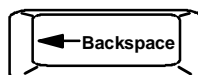


Figure 17- Edit Mode screen

When finished making changes in Edit Mode, press <Enter> and a prompt will appear to press either <Y> to save the changes or <N> to continue making changes without saving the changes just made. If the <Esc> key is pressed instead of <Enter>, all changes made will be ignored and the display will return to the previous menu.

Change Settings

To enter the Change Settings menu (see Fig. 18) press <Ctrl>+<T> from the Command Mode menu.

The list below describes the Change Settings menu functions available from the keyboard:








Function:	Keystroke:
Go to Broadcast Mode Configuration	
Go to Scan Mode Configuration	
Go to Language Selection Menu (Option only available if the administrator is logged in)	
Change the scan dwell time period	
Configure ports for MAC or non-MAC CPUs (Administrator only)	
Enable/Disable right mouse button click emulation	
Exit from Change Settings Return to Command Mode	



Figure 18- Change Settings menu

When the <T> is pressed, an edit field showing the actual value of the scan dwell time is displayed at the bottom of the Change Settings menu. The user can introduce a new value for scan dwell time and press <Enter> to save it or <Esc> to exit. Any value between 002 and 255 (seconds) is acceptable.

Select Ports For Broadcast

To Select Ports For Broadcasting, press from the Change Settings menu (see Fig. 18).

The Select Ports For Broadcast menu (see Fig. 19) enables the user to select specific ports to be active in Broadcast Mode. Only the selected ports will receive keyboard messages in Broadcast Mode.

A check list with all the port numbers will be displayed in the window.

- unchecked box = the corresponding port is **not** in the broadcast list
- checked box = the corresponding port **is** in the broadcast list

The user can toggle the state of the selected check box by pressing <Spacebar> or clicking the left mouse button.

- press <S> to check all of the ports
- press <C> to uncheck all of the ports

The selected port is highlighted with a green bar. To select another port, the user can use the arrow keys or mouse movement. The name of the selected port is displayed at the bottom left of the menu.

When <Esc> is pressed the display will return to the Change Settings menu. The broadcast selection list is automatically saved.

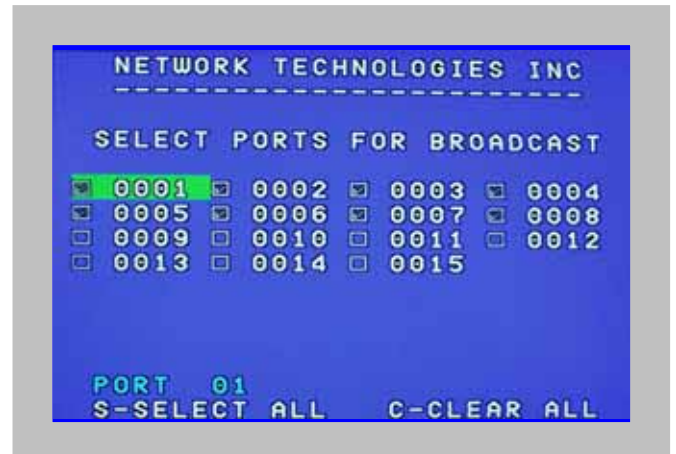


Figure 19- Select ports for broadcasting

Select Ports For Scan

To Select Ports For Scanning, press <S> from the Change Settings menu described on page 19.

The Select Ports For Scan menu enables the user to select specific ports to be active in Scan Mode. Only the selected ports will be scanned in Scan Mode.

A check list with all the port numbers preceded by a check-box will be displayed in the window.

- unchecked box = the corresponding port is **not** in the scan list
- checked box = the corresponding port **is** in the scan list

The user can toggle the state of the selected check box by pressing <Spacebar> or clicking the left mouse button.

- press <S> to check all of the ports
- press <C> to uncheck all of the ports

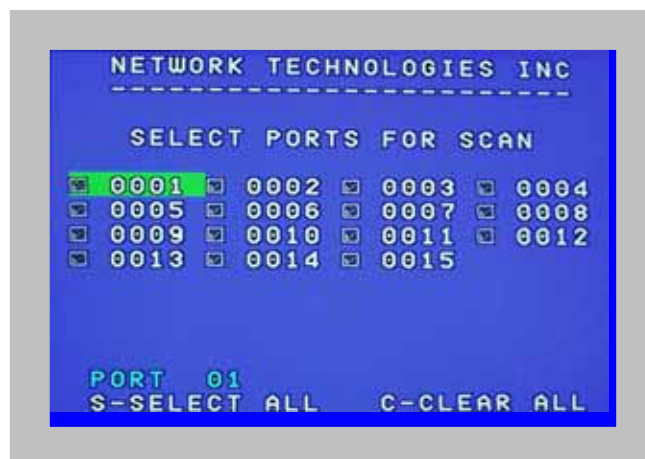


Figure 20- Select ports for scanning

The selected port is highlighted with a green bar. To select another port, the user can use the arrow keys or mouse movement. The name of the selected port is displayed at the bottom left of the menu.

When <Esc> is pressed the display will return to the Change Settings menu. The scan selection list is automatically saved.

Language Selection

Note: The LANGUAGE SELECTION option will only be accessible if the administrator is logged in.

To enter the Select Language menu press <L> from the Change Settings menu described on page 19.

The Language Selection menu enables the user to manually configure the UNIMUX to emulate a specific international Sun keyboard regardless of what actual keyboard is connected. This is recommended when the CPU needs the layout code (i.e. a SUN CPU) and the keyboard doesn't have an explicit layout code (i.e. Windows keyboards).

To choose a language, scroll through the menu (using either the mouse or up/down arrows) and when the desired language is highlighted press <Enter> on the main keyboard. The selected language will be highlighted in red. Press <Esc> to return to the Change Settings menu.



Figure 21- Select the keyboard language

For more on International Sun keyboards, see page 29.

MAC Ports Configuration

Note: The CONFIGURE MAC PORTS option will only be accessible if the administrator is logged in.

MAC Ports Configuration menu enables the administrator to select specific ports to be connected to MAC CPUs for passing mouse information to the MAC CPUs. This is useful when the user wants to use mouse drivers provided by the mouse vendor, which allows the use of programmable functions for each button. Ports should be configured at installation time or whenever necessary. After setting, the configuration is stored in non-volatile memory and will be retrieved whenever the switch is power ON. When the port is connected to a Windows or SUN CPU, this configuration SHOULD BE DISABLED. By default, all ports are configured as non-MAC CPUs (Windows and SUN).

Note: If a port is configured as connected to a non-MAC CPU, but is in fact connected to a MAC CPU, the mouse will still work as a generic mouse. No special functions provided by software drivers will be available.

To enter the MAC Ports Configuration menu, the administrator must press <M> from the Change Settings menu, described on page 18.

A check list with all the ports numbers preceded by a check-box will be displayed in the window.

- unchecked box = the corresponding port is set as connected to a non-MAC CPU
- checked box = the corresponding port is set as connected to a MAC CPU

In order to change the status of a port, the administrator has to first select the port. The selected port is highlighted with a green bar.

To select another port, the administrator can use the arrow keys or mouse movement. The name of the selected port is displayed at the bottom left of the menu, right above the yellow bar.

The administrator can toggle the state of the selected check box by pressing the <Spacebar> or clicking the left mouse button.

- Press <S> to check all the ports
- Press <C> to uncheck all the ports

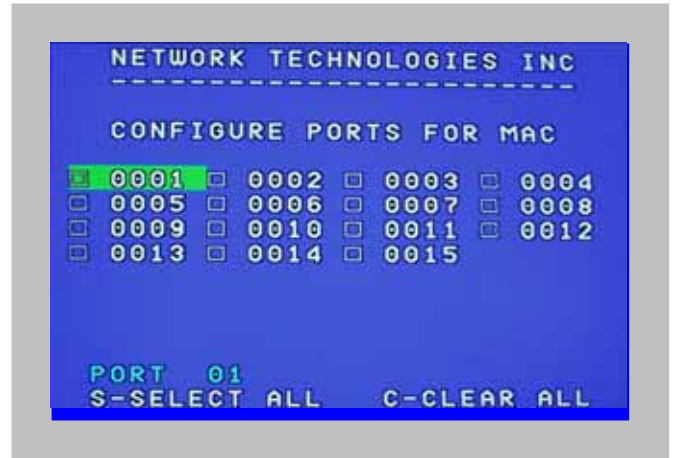


Figure 22- Configure Ports for MAC screen

When <Esc> is pressed, the display will return to the Change Settings menu. The list is automatically saved.

The settings apply to all users of the switch.

Search Mode

To enter Search Mode, type any alphabetical or numeric character when the Command Mode menu is on the monitor.

Search Mode enables the user to enter and maneuver through a list of CPU names. The CPU name best matching the characters typed is selected. The list of CPUs may also be searched for a specific (or similar) name. The following commands are valid when the search option has been invoked from Command Mode.

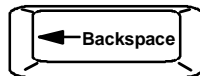


Figure 23- Search Mode screen

Function:

Erase previous character in search name

Keystroke:



Add a character to the search string and select the best matching CPU name

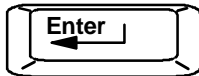


(Type any alphabetical or numeric character)

Exit Search Mode, return to Command Mode



Switch to selected port



Maintenance Mode

To enter Maintenance Mode press <Ctrl>+<M> from the Command Mode menu.

Maintenance Mode enables a user to customize the On Screen Display to their requirements.

Function:

Keystroke:

Reset all of the port names



Toggle between numeric and alphabetic listing of ports



Move On Screen Display (OSD) menu up on monitor



Move OSD menu down on monitor



Move OSD menu to the right



Move OSD menu to the left



Make OSD menu taller



Make OSD menu shorter



Change user password.
(Present only when a standard user is logged in.)



Log current user out and return to User Login Mode.



Activate security features.

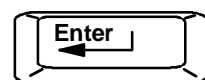
Present only when security is available but not active.



Enter Administration Mode.

Option present only when Administrator is logged in.

Save OSD window parameters for the port



Return to Command Mode






Figure 24- Maintenance Mode screen

FYI: If activating security features, the user will be prompted for a "Y" (yes) or "N" (no) to confirm the menu choice, at which point the user will be asked for a username and password before continuing. Only the administrator can activate the security features.

Help Mode

To enter Help Mode press the <F1> key from the Command Mode menu (on page 17).

Help Mode displays a list of commands with a short explanation of their function. These lists are organized in pages for each mode (i.e. COMMAND, EDIT, and SEARCH). The following options enable the user to quickly obtain information on any command.

Function:	Keystroke:
View the previous page of help if available	
View the next page of help if available	
Exit HELP and return to previous mode	

F3- Display Information

To display information about a selected port, pressing the <F3> key from within the Command Mode main menu will cause a window to open. The window will show the name of the port and its position in the system structure, level by level. This is most useful when cascading switches (for Cascading see page 29). An example of this structure might be

LEVEL 1 : PORT 5
LEVEL 2 : PORT 3

This means that the CPU connected through this port is actually connect through Port 5 of the master switch (Level 1), and through port 3 of the slave connected to port 4 (Level 2). See Fig. 25 below.

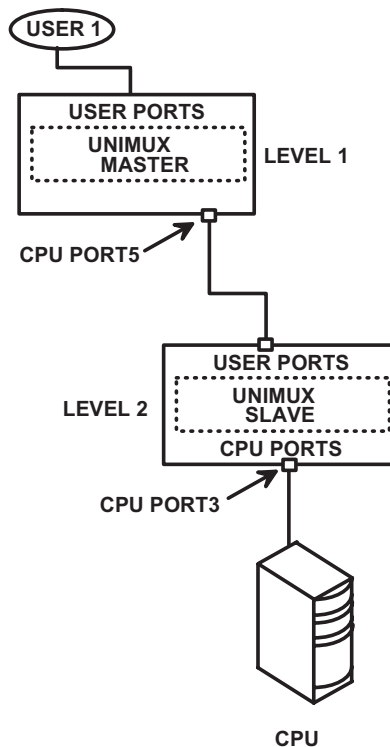


Figure 25- Information provided by the F3 command

RS232 CONTROL

(Optional)

RS232 enables the UNIMUX to be remotely controlled via RS232. To control the UNIMUX via RS232 the user has three options:

- write a program that runs on a PC using the Command Protocol (page 26)
- use the Matrix Switcher's Control Program (page 27) provided on the CD
- use the SerTest program (page 27) provided on the CD

RS232 Connections and Configuration

Remote Connection

The RS232 Interface (optional) is designed to meet the RS232C standard and can be controlled from any CPU or other controller with an RS232 communications port. The pin-out for the DB-9 connector(s) on the unit is as follows:

RS232 CONNECTOR (DB-9 FEMALE)

PIN	SIGNAL	FUNCTION
1	CD	Carrier Detect
2	TXD	Transmit data (RXD at host)
3	RXD	Receive data (TXD at host)
4	DTR	Data terminal ready
5	GND	Signal ground
6	DSR	Data set ready
7	RTS	Request to send
8	CTS	Clear to send
9	-	No connection

Note: Security must be disabled or user access granted on the port(s) to be selected by RS-232 control.

On the DB-9 female connector, pins 1 (DCD), 4 (DTR), and 6 (DSR) are shorted and pins 7 (RTS) and 8 (CTS) are shorted. Therefore, host handshaking is bypassed and TXD and RXD are the only active signals. A straight through DB-9 cable (not null modem) will work for most CPUs. To daisy chain multiple units, a Matrix Y-1 cable is used (see page 24) for each UNIMUX in the chain. The last unit will have no connection on its output port and should have DIP switch 1 ON (see table under "Unit Address and Loop Back" on page 25).

Baud Rate

The baud rate can be changed by powering down the unit, changing the 8 position RS232 dip switch on the front of the UNIMUX, and then powering back up. This table shows how to set the baud rate.

DIP SWITCH			BAUD RATE
4	3	2	
OFF	OFF	OFF	300
OFF	OFF	ON	600
OFF	ON	OFF	1200
OFF	ON	ON	2400
ON	OFF	OFF	4800
ON	OFF	ON	9600
ON	ON	OFF	
ON	ON	ON	

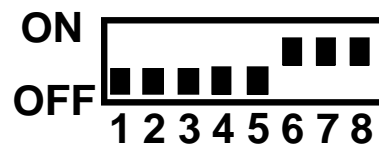


Figure 26- RS232 dip-switches

Unit Address and Loop Back

To allow multiple units to be controlled from a single CPU serial port, the RS232 control interface is designed to allow "daisy chaining" up to 15 units. By setting the appropriate RS232 dip switches, each unit can be given a unique address (1-15). Then the unit will only respond to commands on the bus if its address is embedded in the command. Use the table below to set the unit address.

DIP SWITCH				UNIT ADDRESS
8	7	6	5	
OFF	OFF	OFF	OFF	0 (not valid)
OFF	OFF	OFF	ON	1
OFF	OFF	ON	OFF	2
OFF	OFF	ON	ON	3
OFF	ON	OFF	OFF	4
OFF	ON	OFF	ON	5
OFF	ON	ON	OFF	6
OFF	ON	ON	ON	7
ON	OFF	OFF	OFF	8
ON	OFF	OFF	ON	9
ON	OFF	ON	OFF	10
ON	OFF	ON	ON	11
ON	ON	OFF	OFF	12
ON	ON	OFF	ON	13
ON	ON	ON	OFF	14
ON	ON	ON	ON	15

Note: The "loop back" RS232 dip switch (RS232 dip switch 1) should be ON for the last unit in the chain, and OFF for all other units. If only one unit is being controlled, the loop back dip-switch should be left ON.

Note: In order to connect multiple NODEMUX units together a Matrix-Y-1 cable must be used. (See Fig. 27.) See Fig. 28 for the pinout of the Matrix-Y-1 cable.

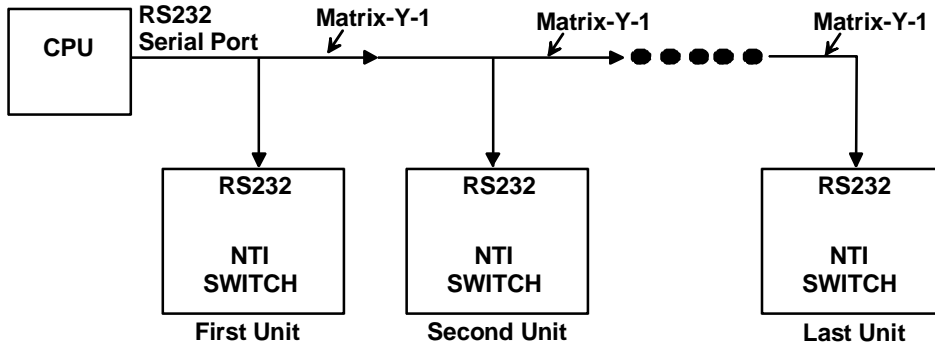


Figure 27- RS232 connection with Matrix-Y-1 cable

Wiring Schematic of Matrix-Y-1 cable

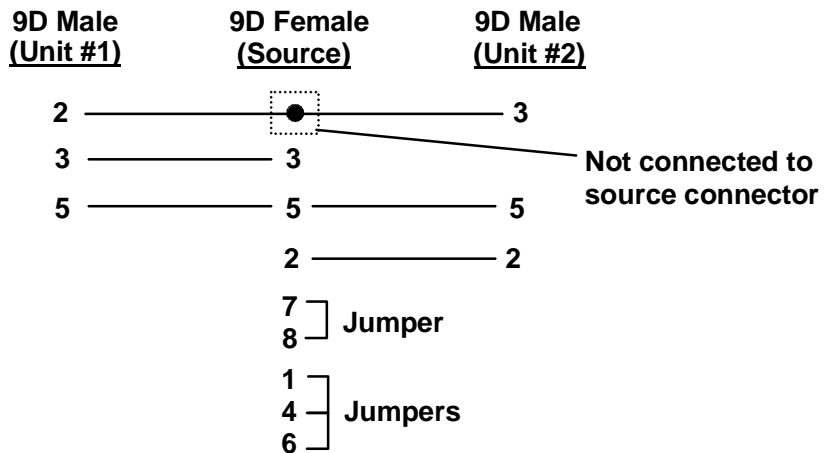


Figure 28- Pinout of Matrix-Y-1 cable

Command Protocol

RS232 commands supported by the unit are defined below. All command strings should be terminated with a <CR> (carriage return). When a command is sent, the entire string is echoed back along with a response from the addressed unit as shown in the command definitions. All characters in the command string should be upper case, and all numbers below 10 should have a leading 0 (ex: 1 = 01). As command strings are sent, the inner character delay cannot exceed 500 milliseconds.

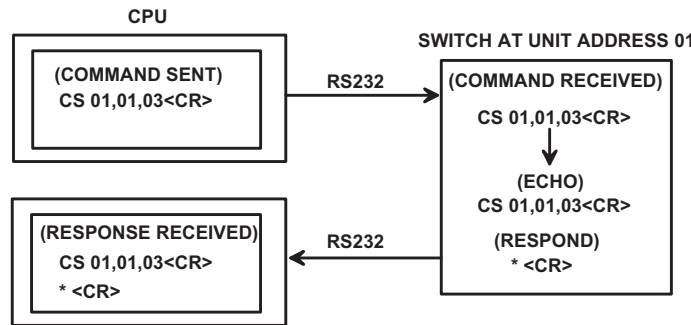


Figure 29- RS232 Communication Illustrated

Note: To use this command protocol, the user is required to write a program that will send an entire command string all at once, not character by character. Programs that send one character at a time (such as HyperTerminal) cannot be used to control the UNIMUX. Alternatively, the user may use the Matrix Switcher's Control Program or SerTest to control the UNIMUX via RS232 (see page 27).

Legend: (All numbers must be two digits)

- SW : Switch (01-15) (Unit Address)
- OP : Output (User) Port (01)
- IP : Input (CPU) Port (01-MAXINPUTS)
- <CR> : Carriage Return (Hex 0xD)

Note: For units with one output (user) port, use 01 for the output selection.

Command Definitions

Command String	Good Response	Description
CS SW,IP,OP	*<CR>	Connect Output (User) Port To specific Input (CPU) Port
RO SW,OP	*<CR>IP<CR>	Read Connection For Output (User) Port to Input (CPU) Port
RS SW	*<CR>	Internal Reset
RU SW	*<CR>IP,OP<CR>	Read Unit Size
SS SW,00	*<CR>	Disable Autostatus feature (see below)
SS SW,01	*<CR>	Enable Autostatus feature (see below)
GO SW,OP	*<CR>go SW,OP:IP<CR>	Read connection of a Output (User) Port to Input (CPU) Port (different response format than RO command)
GM SW,00	*<CR>go OP,IP (all ports)<CR>	Read connection matrix of all Output (User) ports

If the first field is not a known command (as listed above) or SW field is different from the unit address programmed at the dip switch (page 25), the command will be ignored. If the SW field corresponds to the unit address, but if the syntax is wrong after this field, the switch will answer with a bad response ?<CR>.

Autostatus

When Autostatus is enabled, any output (user) -to-input (CPU) connection change in the UNIMUX will cause an Autostatus message to be sent via RS232 to the administrator. The format of the message would be "pc SW,OP:IP<CR>"

Example of an Autostatus message:

```
pc 01,01:04<CR>
```

which means "At the switch with unit address 01, the output (User) (01) has changed connection to input (CPU) port 04."

Note: An Autostatus message to the administrator will be delayed by any RS232 traffic being received by the switch from the administrator.

By default, Autostatus is disabled and must be manually enabled.

Matrix Switcher's Control Program For Windows 9X, NT, AND 2000

The Matrix Switcher's Control Program is an easy and powerful graphical program that controls NTI switches through an RS232 interface. The Matrix Switcher's Control Program is included on the CD packaged with the UNIMUX. The Matrix Switcher's Control Program is downloaded by clicking on the link "Download Matrix Switcher's Control Program".

To install the Matrix Switcher's Control Program after downloading

1. Locate the **Setup.exe** in the directory the program was downloaded to and double-click on it
2. Follow the instructions on the screen

The Matrix Switcher's Control Program performs best on monitors set to a screen resolution of at least 800 X 600. Instruction for using the Matrix Switcher's Control Program is available by opening "MSCP Help" in the "NTI" program group once the program has been installed and is open on the screen.

To open "MSCP Help" from the Windows desktop

1. Click on **START**
2. Click on **PROGRAMS**
3. Click on **NTI**
4. Click on **MSCP Help**

SerTest- RS232 Interface Test Program

This software allows a user to test the functions of an NTI server switch, matrix switch or Multi-user/Multi-platform/Single-user switch RS232 interface. The SerTest program is automatically loaded when installing the MATRIX SWITCHER'S CONTROL PROGRAM as described above. The SerTest program, located in the NTI program group, generates a main menu with the 4 selections described below:

Main Options

- Matrix Operations - send commands to the unit.
- Ethernet Operations - set ethernet connection variables (not applicable to this model)
- Setup Options - set COM port, baud rate, and unit address
- About SerTest - display the program version

If Matrix Operations is selected, the following menu is displayed:

MATRIX OPERATIONS

- 1) Reset Unit
 - send a reset command to the switch
 - the current unit address is displayed in parentheses
- 2) Reset All Units
 - send an internal reset command to all switches
- 3) Connect Output/User to an Input/CPU
 - connect an output to an input
- 4) Connect All Outputs/Users to an Input/CPU (not applicable to this model)
 - connect all outputs to an input
- 5) Connect Audio Output/User to an Input/CPU (only applicable to models with audio support)
 - connect an output to an input (Audio ports only)
- 6) Connect All Audio Outputs/Users to an Input/CPU (only applicable to models with audio support)
 - connect all outputs to an input (Audio ports only)
- 7) Change Mute Status for Audio Output/User (only applicable to models with audio support)
 - mute or un-mute the Audio port output
- 8) Change Volume for Audio Output/User (only applicable to models with audio support)
 - change Audio port output volume

- 9) Read Connection for Output/User
 - read what input is connected to the specified output
- a) Read Connection for Audio Output/User (only applicable to models with audio support)
 - read what input is connected to the specified output
- b) Read Mute Status and Volume for Audio Output/User (only applicable to models with audio support)
 - read the volume and the mute status of the specified output (Audio ports only)
- c) Read Unit Size
 - read the switch size (number of inputs and outputs)
- d) Read Unit Version/Revision String (not supported by this model)
 - read a string containing the switch version, type, and size
- e) Save I/O Connections into Unit Memory (not applicable to this model)
 - save the connections into switch memory bank
- f) Restore I/O Connections from Unit Memory (not applicable to this model)
 - restore the connections from switch memory bank
- g) Save All Units I/O Connections into Units Memory (not applicable to this model)
 - save the connections into switch memory bank, command for all switches
- h) Restore All Units I/O Connections from Units Memory (not applicable to this model)
 - restore the connections from switch memory bank, command for all switches
- i) Change All Units Baud Rate (9600/COM1)
 - change RS-232 Baud rate of all switches
 - the current baud rate and serial port are displayed in parentheses

ETHERNET OPERATIONS (not applicable to this model)

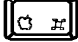
SETUP OPTIONS

- 1) select Com port current: (COM1:)
 - select PC serial port
 - the current PC serial port is displayed in parentheses
- 2) select Baud rate current: (9600)
 - select PC serial port baud rate
 - the current baud rate is displayed in parentheses
- 3) set unit Address current: (1)
 - select the unit address of the switch to be connected to by this program
 - the current address is displayed in parentheses

For any selection that requires user input, the user is prompted. When commands are sent to the UNIMUX, the command string and UNIMUX responses are echoed to the screen. All commands generated by the program are formatted according to the information provided in sections above. If any transmission problems are detected, an error message is displayed.

Press <Esc> or <Enter> to back out to the main menu and press again to exit.

MOUSE CLICK EQUIVALENTS

To emulate a right button click using Apple 1 button mouse, hold down the Command key () while pressing the mouse button.

Note: Right mouse button emulation must be enabled (see Change Settings on page 19) for this to work.

KEYBOARD FEATURES

The keyboard configuration of each CPU is saved in the UNIMUX. For example, if the CPU attached to Port 2 had CAPS LOCK and NUM LOCK selected the last time that CPU was accessed, then they will automatically be set when that CPU is accessed again.

Keyboard-To-Computer Translation (See Fig. 30 on page 30 for reference.)

The UNIMUX enables a mixture of otherwise incompatible peripheral computer components to be connected together. This is accomplished by performing keyboard-to-computer translations automatically (i.e. translate a MAC keyboard and mouse to a Windows type CPU). The chart below shows the capabilities of devices controlling certain CPU types.

Translation Capabilities

Device	CPU		
	Sun	Mac	Windows
Sun Keyboard	Full functionality	Full functionality	Full functionality
AT101 Keyboard	Extra keys emulation	Power key emulation	Full functionality
Mac keyboard	Extra keys emulation	Full functionality	Full functionality-except Application Key
Apple Pro Keyboard	Extra keys emulation	Extra Keys not supported (Eject, Mute, Volume+, Volume-)	Full functionality
Sun Mouse	Full functionality	Full functionality	Full functionality
Wheel Mouse	Full functionality	Full functionality	Full functionality
Apple Mouse	Right button emulation	Full functionality	Right button emulation

Translation Tables

Use the charts below to type SUN's additional keys with Win95 and Apple keyboards:

SUN Extra Keys

WINxx or Mac Keyboards	Sun Extra Keys
Space Bar + F1	Stop
Space Bar + F2	Again
Space Bar + F3	Props
Space Bar + F4	Undo
Space Bar + F5	Front
Space Bar + F6	Copy
Space Bar + F7	Open
Space Bar + F8	Paste
Space Bar + F9	Find
Space Bar + F10	Cut
Space Bar + F11	Help
Space Bar + F12	Compose
Space Bar + Up Arrow	Volume +
Space Bar + Down Arrow	Volume -
Space Bar + Left Arrow	Mute

Power Key Emulation

Win95 Keyboards	Mac CPU	Sun CPU
SB+RT Arrow	Power	Power

Mouse Click Equivalents

To emulate right-button click using an Apple 1-button mouse, hold down the CMND key (key with open apple insignia) while pressing the mouse button.

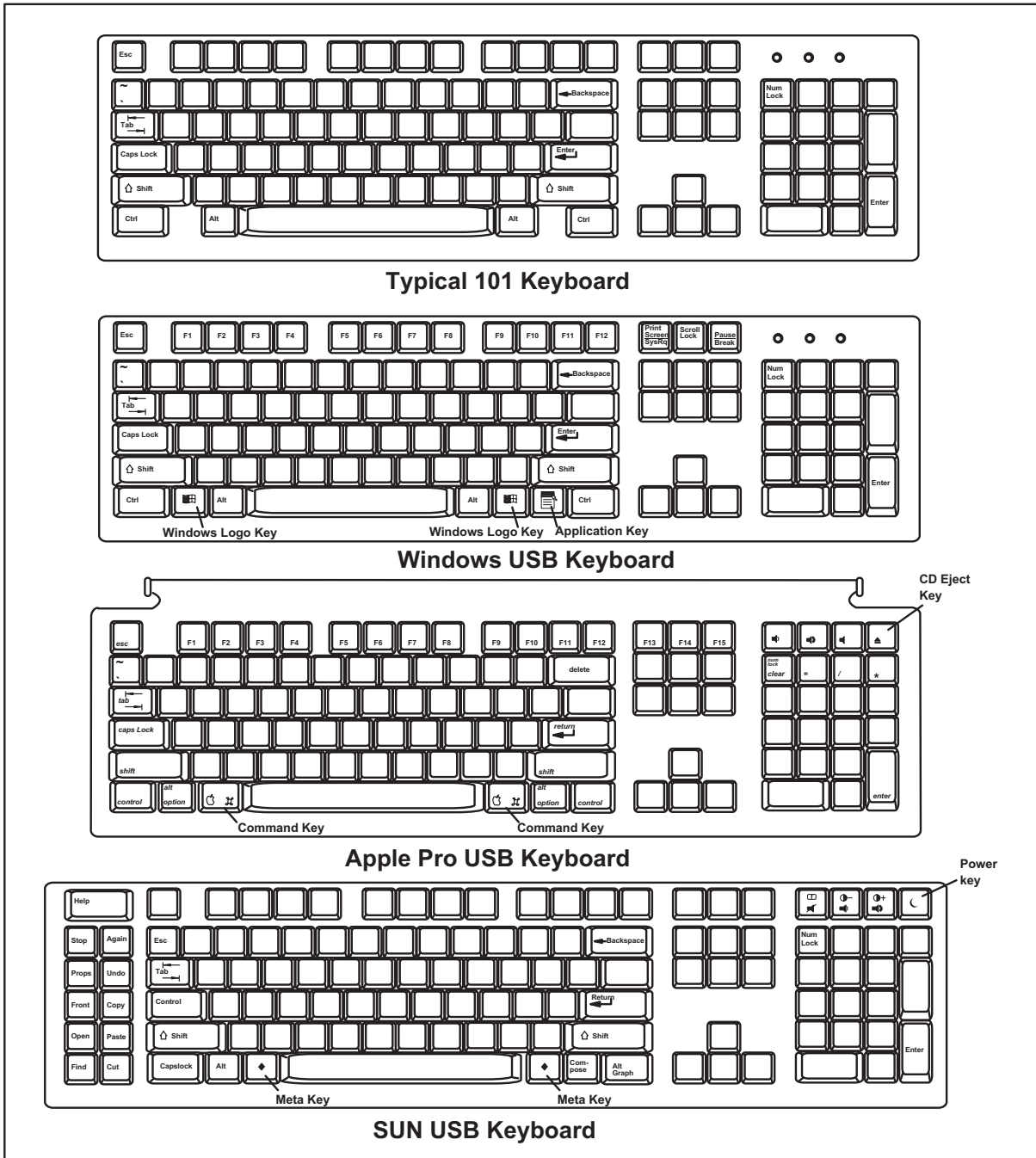


Figure 30- Keyboard Layouts

International Sun Keyboards

The UNIMUX can recognize international layouts for Sun keyboards. In order to use an international Sun keyboard, follow this procedure:

1. Power-OFF the CPU from the UNIMUX
2. Connect the international keyboard to be used to the UNIMUX
3. Power-ON the CPU to the UNIMUX

It is also possible to configure the UNIMUX to emulate a specific international Sun keyboard regardless of what actual keyboard is connected. This is recommended when the CPU needs the layout code (i.e. a SUN CPU) and the keyboard doesn't have an explicit layout code (i.e. some Windows keyboards). To do this, manually set the UNIMUX to indicate the international keyboard identification number to the CPU by following the instruction on page 9 (for switches without OSD feature) or on page 19 (for switches with OSD feature).

CASCADING

The UNIMUX-USBV-x USB KVM switch can be cascaded as shown in Fig. 31 below. Single user and multi-user UNIMUX switches may be connected downstream (see Figs.33 and 34). The first switch in a cascaded system is referred to as the "master", while all downstream switches are referred to as "slaves". The only additional hardware required to cascade switches is a set of device and monitor cables for each "SLAVE UNIT" (see MATERIALS on page 1). All CPUs and switches can then be controlled by users using OSD commands with Command Mode.

Notes:

- **The UNIMUX USB KVM switch must have OSD installed to use cascading.**
- **Cascading is not an option in the UNIMUX-USBV-2 2 port USB KVM switch**
- **If the UNIMUX-USBV-x is connected in a cascaded system with earlier UNIMUX-USBV-x switches (product made prior to 10-1-04), then the dipperswitches must be configured as indicated on page 30 and REXT-SR-xx cables must be used as shown in figure 28.**
- **Slaves in a cascaded system must be either all single-user switches or all multi-user switches, but not a combination of both.**

Configuration

In a cascaded system with single-user switches as slaves, if all switches being cascaded were made on or after 10-1-04, then no additional configuration is necessary. If any single-user switches in the cascaded system were made prior to 10-1-04, then all units must be configured using the 6-position dip switch (located on the front of each unit) according to the tables on page 32 (Table 1 and Table 2).

A cascaded system using multi-user switches as slaves requires no additional configuration.

Cascaded Installation

- a. Follow the instruction under Configuration above before proceeding.
- b. Using the 15HD video cable ends of a USBVEXT-xx-MM cable, connect the USB KVM slave's MONITOR port to the master's VIDEO 1 port.
- c. Using the USB ends of the same USBVEXT-xx-MM cable, connect one of the USB slave's USB DEVICES ports to the master's CPU 1 port.

Note: Only one of the two ports labeled DEVICES on a slave needs to be used in order for cascading to work.

- d. Repeat step b. & c. for each additional slave, keeping in mind that each slave will connect to the next available master's port (i.e. Slave #2 to master's VIDEO 2 & CPU 2, etc.) See Fig. 33 on page 33.
- e. With a RMT extension cable, connect the master's DAISY OUT port to slave #2's DAISY IN port. Then connect slave #2's DAISY OUT to slave #3's DAISY IN. Continue until all slaves are connected together.

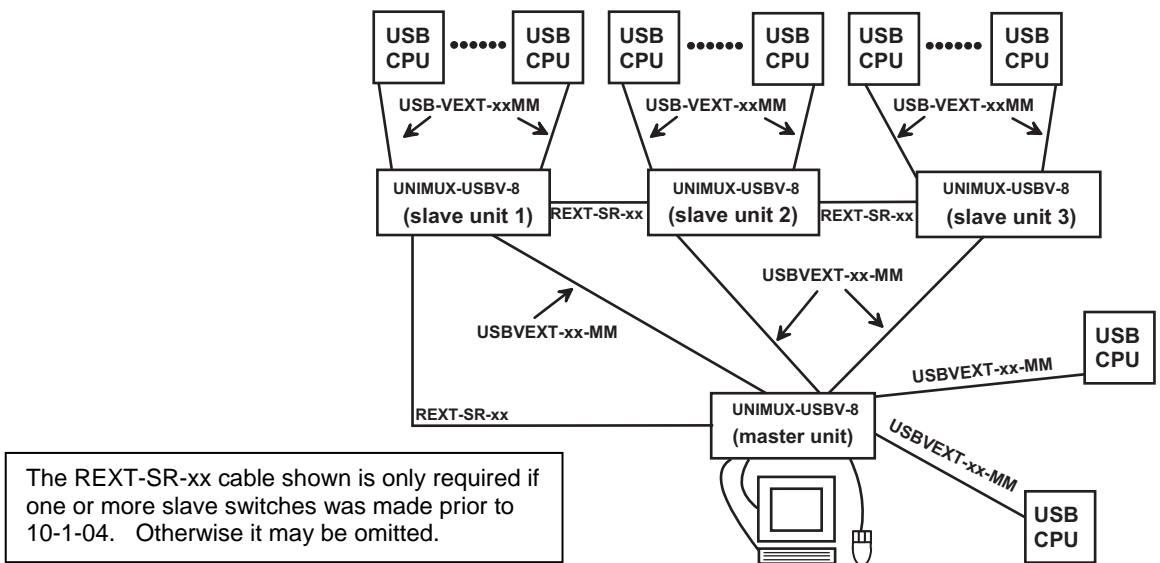


Figure 31- Connections for Cascading

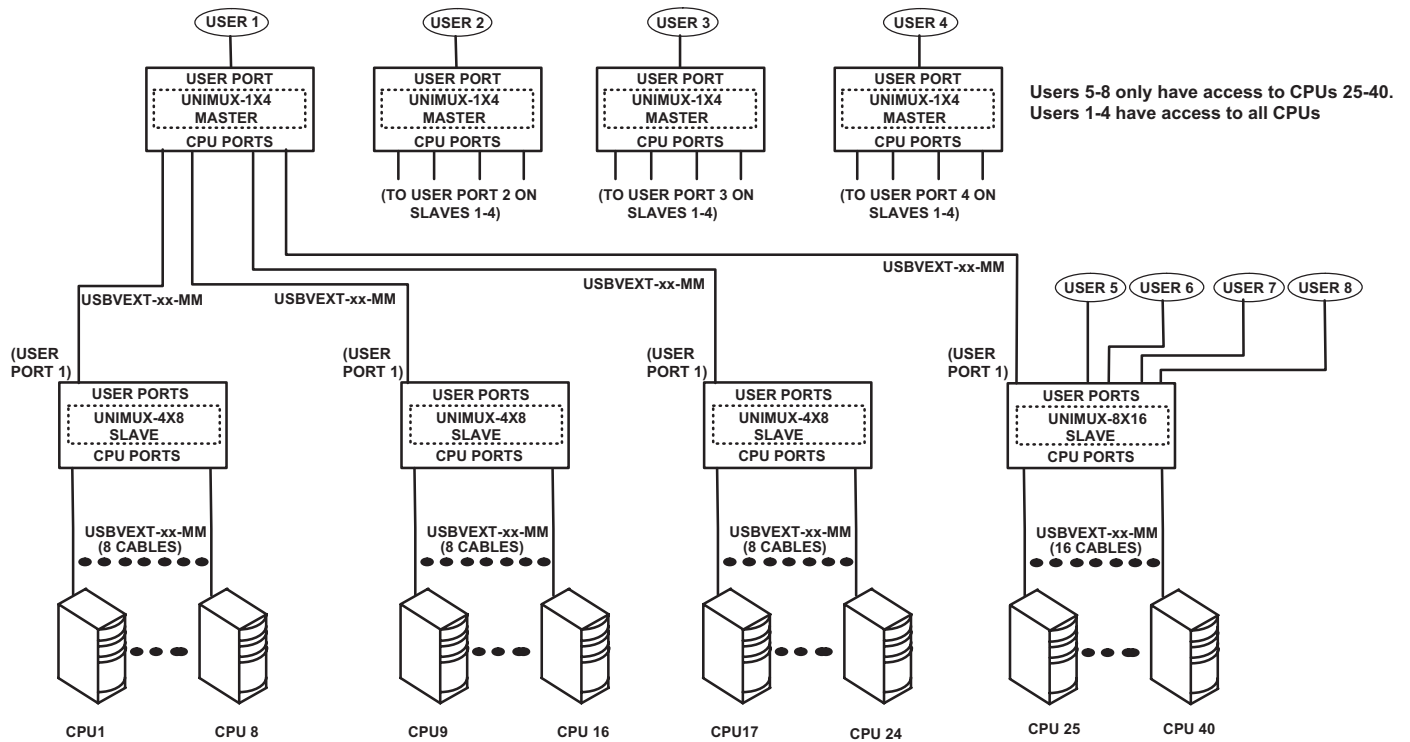


Figure 32- Cascaded configuration with multi-user slaves

FYI: Any USER and MONITOR ports on a multi-user switch connected as a slave that do not get connected to the master can be connected to by users (for example users 5-8 in Fig. 30). Users connected to a slave downstream from the master will control only the CPUs directly connected to that slave switch (i.e. users 5 and 6 in Fig. 32 above can only control CPUs 25-40).

Front Panel Configuration Switches

Table 1 * (default settings)

Switch	SW1	SW5	SW6
STAND-ALONE SWITCH	OFF*	OFF*	OFF*
SLAVE	ON	OFF	OFF
MASTER W/4-PORT SLAVES	OFF	OFF	ON
MASTER W/8-PORT SLAVES	OFF	ON	OFF
MASTER W/16-PORT SLAVES	OFF	ON	ON

Table 2 * (default settings) Master & Slave dip-switch 2-4 Settings

SW2	SW3	SW4	Master with-	Slave Setting
OFF*	OFF*	OFF*	No Slave Attached	N/A
OFF	OFF	OFF	1 Slave attached	Slave #1
OFF	OFF	ON	2 Slaves attached	Slave #2
OFF	ON	OFF	3 Slaves attached	Slave #3
OFF	ON	ON	4 Slaves attached	Slave #4
ON	OFF	OFF	5 Slaves attached	Slave #5
ON	OFF	ON	6 Slaves attached	Slave #6
ON	ON	OFF	7 Slaves attached	Slave #7
ON	ON	ON	8 Slaves attached	Slave #8

These switch settings (Table 2) enable the slave to establish its identity (i.e. location in the group) to the Master.

Side Note: In a Master, the same switches are used to configure the Master for how many slaves are attached to it.

Note: All UNIMUX-USBV-x switches must be powered OFF during dip-switch configuration

Note: Dip-switches only need to be configured if one or more slave switches was made prior to 10-1-04. Otherwise, all switches should be OFF.

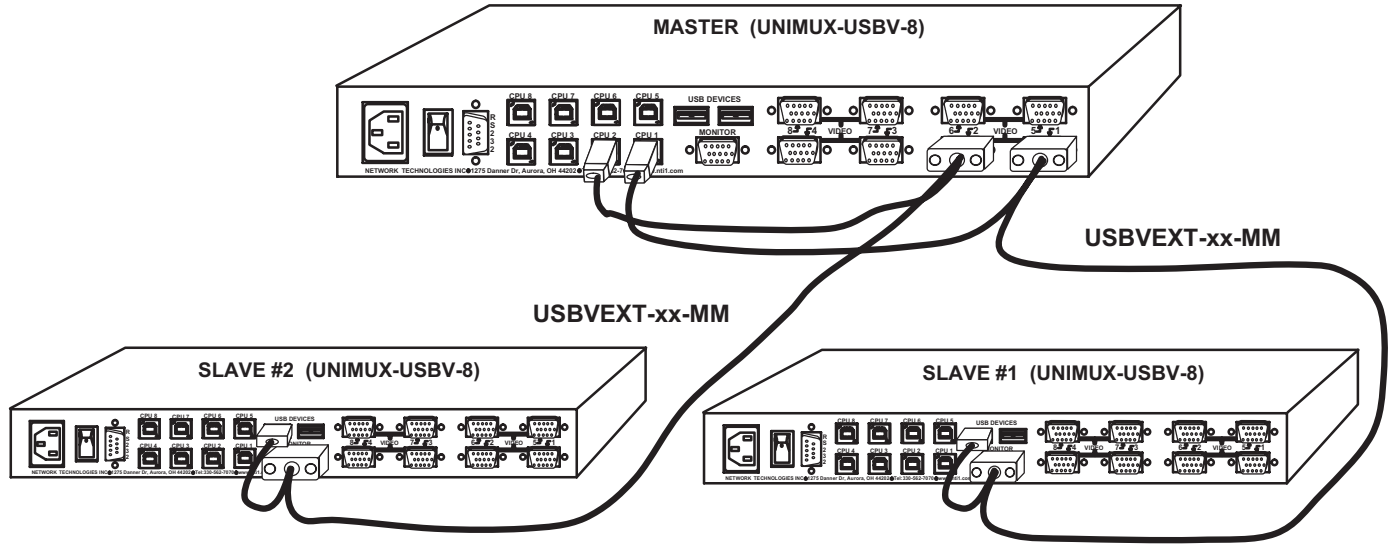


Figure 33- Master-to-slave device cable connections- single-user switches

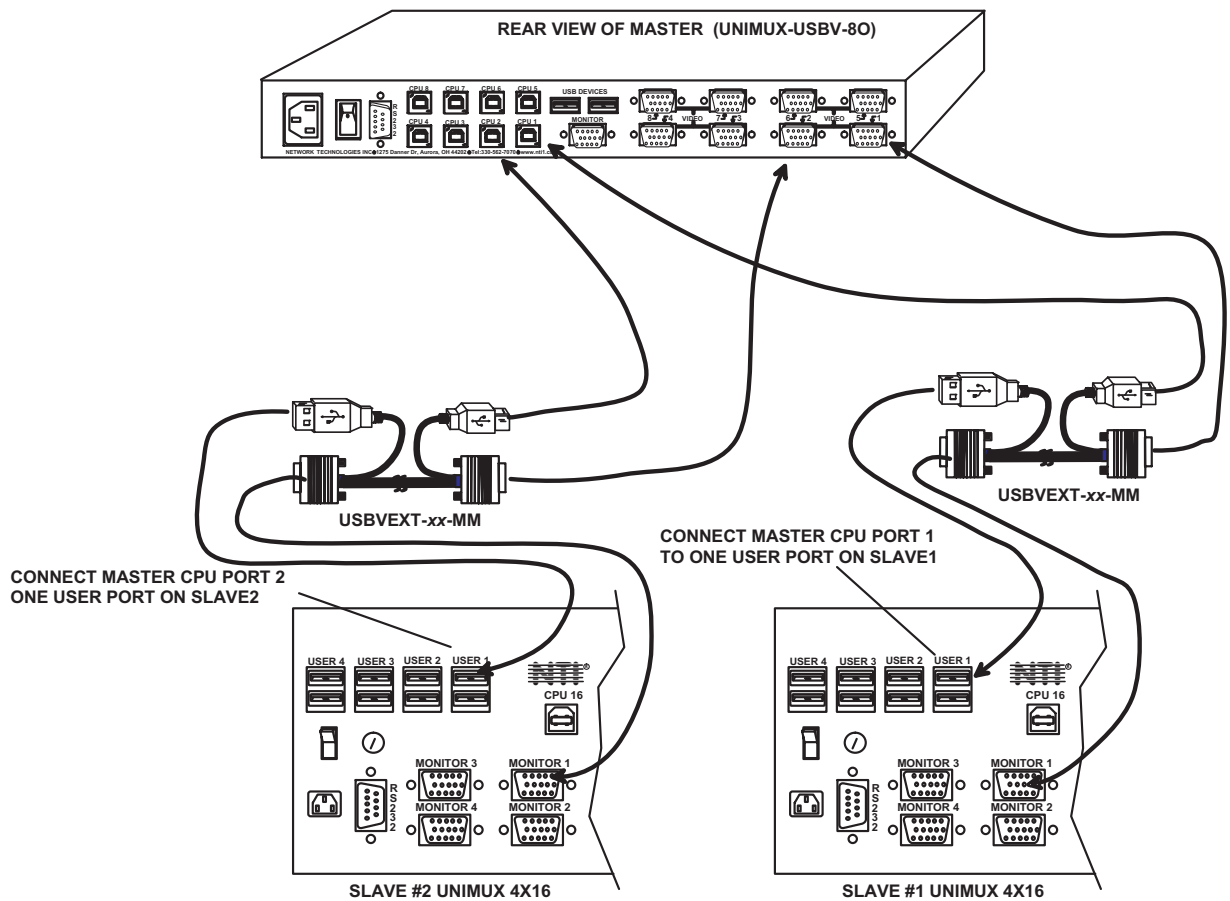


Figure 34- Master to slave cable connections- multi-user switches

Limitations

- If any switches made prior 9/22/04 are used as slaves, then all switches used as slaves must have the same number of CPU ports (all 4, 8, or 16 CPU ports).
- Up to 8 slaves may be connected to form a maximum system size of 152 ports (1x32 port master + 8x16 port slaves).
- Slaves must be added to the master in order (slave #1 to master's port 1, slave #2 to master's port 2, etc).

FYI: Master Port 1 (with an 8-port Slave connected to it) will become ports 1-8 (1-4 for a 4-port slave). Master Unit Port 2 (with a second 8-port Slave Unit connected) will become port numbers 9-16 (5-8 for a 4-port slave).

- All UNIMUX-USBV-x switches must be powered OFF during dip-switch configuration.
- The front panel buttons are only used to operate standalone switches. To control a cascaded network of switches, only the OSD commands within Command Mode will be recognized.

Note: Cascading is not an option in the UNIMUX-USBV-2 2 port USB KVM switch.

TROUBLESHOOTING

PROBLEM: Keyboard Errors
SOLUTION: Check cable connections on each CPU and the switch.

PROBLEM: No Video
SOLUTION: Check cable connections on each CPU and the switch. Verify that keyboard and video connect from each CPU to matching ports. After reconnecting, CPU may need to be re-booted in order to sense the monitor connection.

PROBLEM: No Mouse Movement
SOLUTION: Check cable connections of mouse. Verify that mouse driver was loaded.

WARRANTY INFORMATION

The warranty period on this product (parts and labor) is two (2) years from the date of purchase. Please contact Network Technologies Inc at **(800) 742-8324** (800-RGB-TECH) or **(330) 562-7070** or visit our website at <http://www.networktechinc.com> for information regarding repairs and/or returns. A return authorization number is required for all repairs/returns.