

YARD-MAN[®]

by MTD

Operator's Manual

4-Cycle Garden Cultivator YM141

SAVE THESE INSTRUCTIONS

For service call **1-800-800-7310** in the United States, or **1-800-668-1238** in Canada to obtain a list of authorized service dealers near you. For more details about your unit, visit our website at www.yardman.com.

DO NOT RETURN THE UNIT TO THE RETAILER. PROOF OF PURCHASE WILL BE REQUIRED FOR WARRANTY SERVICE.



THIS PRODUCT IS COVERED BY ONE OR MORE U.S. PATENTS. OTHER PATENTS PENDING.

Service on this unit both within and after the warranty period should be performed only by an authorized and approved service dealer.

SPARK ARRESTOR NOTE

NOTE: For users on U.S. Forest Land and in the states of California, Maine, Oregon and Washington. All U.S. Forest Land and the state of California (Public Resources Codes 4442 and 4443), Oregon and Washington require, by law that certain internal combustion engines operated on forest brush and/or grass-covered areas be equipped with a spark arrestor, maintained in effective working order, or the engine be constructed, equipped and maintained for the prevention of fire. Check with your state or local authorities for regulations pertaining to these requirements. Failure to follow these requirements could subject you to liability or a fine. **This unit is factory equipped with a spark arrestor.** If it requires replacement, ask your LOCAL SERVICE DEALER to install the **Accessory Part #791-180890 Spark Arrestor Kit.**

CALIFORNIA PROPOSITION 65 WARNING

	WARNING	
<p>THE ENGINE EXHAUST FROM THIS PRODUCT CONTAINS CHEMICALS KNOWN TO THE STATE OF CALIFORNIA TO CAUSE CANCER, BIRTH DEFECTS OR OTHER REPRODUCTIVE HARM.</p>		

All information, illustrations, and specifications in this manual are based on the latest product information available at the time of printing. We reserve the right to make changes at any time without notice.

Copyright© 2005 MTD SOUTHWEST INC, All Rights Reserved.

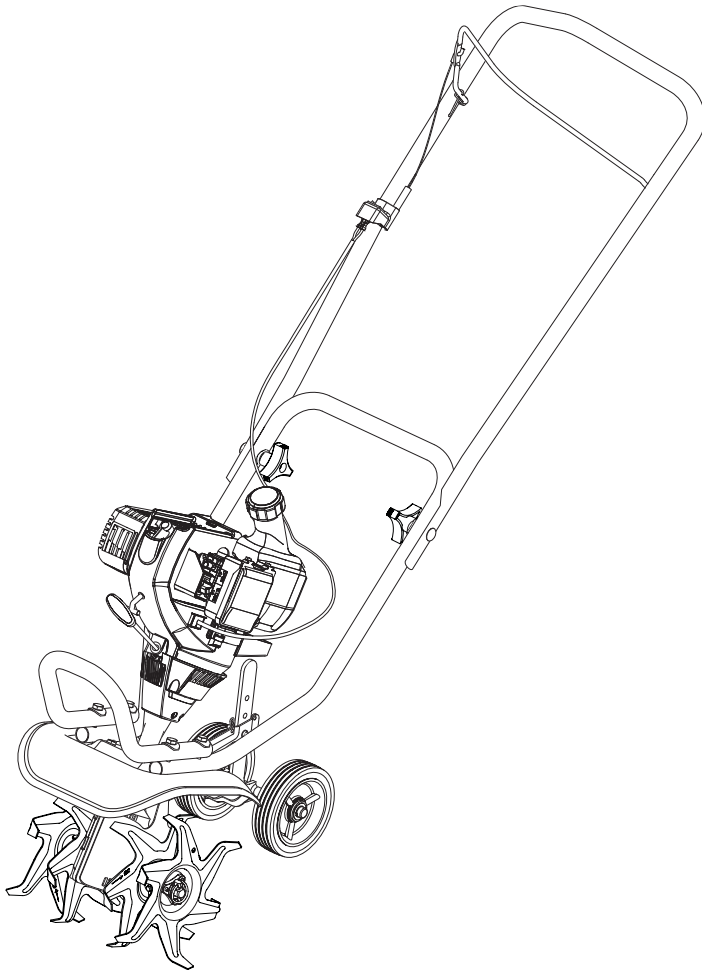


TABLE OF CONTENTS

Service Information	1
Rules for Safe Operation	2
Know Your Unit	4
Assembly Instructions	5
Oil and Fuel Information	6
Starting/Stopping Instructions	8
Operating Instructions	9
Maintenance and Repair Instructions	10
Cleaning and Storage	14
Troubleshooting Chart	15
Specifications	16
Warranty Information	17-18
Parts List	E18-E20



WARNING: When using the unit, you must follow the safety rules. Please read these instructions before operating the unit in order to ensure the safety of the operator and any bystanders. Please keep these instructions for later use.

RULES FOR SAFE OPERATION

• IMPORTANT SAFETY INSTRUCTIONS •

READ ALL INSTRUCTIONS BEFORE OPERATING



WARNING: When using the unit, you must follow the safety rules. Please read these instructions before operating the unit in order to ensure the safety of the operator and any bystanders. Please keep these instructions for later use.

- Read the instructions carefully. Be familiar with the controls and proper use of the unit.
- Do not operate this unit when tired, ill, or under the influence of alcohol, drugs, or medication.
- Children and teens under the age of 15 must not use the unit, except for teens guided by an adult.
- All guards and safety attachments must be installed properly before operating the unit.
- Inspect the unit before use. Replace damaged parts. Check for fuel leaks. Make sure all fasteners are in place and secure. Replace parts that are cracked, chipped, or damaged in any way. Do not operate the unit with loose or damaged parts.
- Carefully inspect the area before starting the unit. Remove all debris and hard or sharp objects such as glass, wire, etc.
- Be aware of the risk of injury to the head, hands and feet.
- Clear the area of children, bystanders, and pets. At a minimum, keep all children, bystanders, and pets outside a 50 feet (15 m.) radius; there still may be a risk to bystanders from thrown objects. Bystanders should be encouraged to wear eye protection. If you are approached, stop the unit immediately.
- Squeeze the throttle control and check that it returns automatically to the idle position. Make all adjustments or repairs before using unit.

SAFETY WARNINGS FOR GAS UNITS

- Store fuel only in containers specifically designed and approved for the storage of such materials.



WARNING: Gasoline is highly flammable, and its vapors can explode if ignited. Take the following precautions:

- Avoid creating a source of ignition for spilled fuel. Do not start the engine until fuel vapors dissipate.
- Always stop the engine and allow it to cool before filling the fuel tank. Never remove the cap of the fuel tank, or add fuel, when the engine is hot. Never operate the unit without the fuel cap securely in place. Loosen the fuel tank cap slowly to relieve any pressure in the tank.
- Add fuel in a clean, well-ventilated outdoor area where there are no sparks or flames. Slowly remove the fuel cap only after stopping engine. Do not smoke while fueling or mixing fuel. Wipe up any spilled fuel from the unit immediately. Always wipe unit dry before using.
- Move the unit at least 30 feet (9.1 m) from the fueling source and site before starting the engine. Do not smoke or allow sparks and open flames near the area while adding fuel or operating the unit.

WHILE OPERATING

- Never start or run the unit inside a closed room or building. Breathing exhaust fumes can kill. Operate this unit only in a well ventilated outdoor area.
- Wear safety glasses or goggles that are marked as meeting ANSI Z87.1-1989 standards. Also wear ear/hearing protection when operating this unit. Wear a face or dust mask if the operation is dusty. Long sleeve shirts are recommended.
- Wear heavy, long pants, boots and gloves. Do not wear loose clothing, jewelry, short pants, sandals or go barefoot.

Secure hair above shoulder level.

- This unit has a clutch. The tines remains stationary when the engine is idling. If it does not, have the unit adjusted by an authorized service technician.
- Be sure the tines are not in contact with anything before starting the unit.
- Use the unit only in daylight or good artificial light.
- Avoid accidental starting. The operator and unit must be in a stable position while starting. See *Starting/Stopping Instructions*.
- Use the right tool. Only use this tool for the purpose intended.
- Use extreme caution when reversing or pulling the unit towards you.
- Do not overreach. Always keep proper footing and balance. Take extra care when working on steep slopes or inclines.
- Always hold the unit with both hands when operating. Keep a firm grip on the grips.
- Keep hands, face, and feet at a distance from all moving parts. Do not touch or try to stop the tines when they are rotating.
- Do not touch the engine or muffler. These parts get extremely hot from operation. They remain hot for a short time after you turn off the unit.
- Do not operate the engine faster than the speed needed to cultivate. Do not run the engine at high speed when you are not cultivating.
- Always stop the engine when cultivating is delayed or when walking from one cultivating location to another.
- If you strike or become entangled with a foreign object, stop the engine immediately and check for damage. Do not operate before repairing damage. Do not operate the unit with loose or damaged parts.
- Stop and switch the engine to off for maintenance, repair, or to install or remove the tines.

Use only original equipment manufacturer replacement parts and accessories for this unit. These are available from your authorized service dealer. Use of any unauthorized parts or accessories could lead to serious injury to the user, or damage to the unit, and void your warranty.

- Keep unit clean of vegetation and other materials. They may become lodged between the tines and guard.
- To reduce fire hazard, replace faulty muffler and spark arrestor, keep the engine and muffler free from grass, leaves, excessive grease or carbon build up.

OTHER SAFETY WARNINGS













- Never store the unit, with fuel in the tank, inside a building where fumes may reach an open flame or spark.
- Allow the engine to cool before storing or transporting. Be sure to secure the unit while transporting.
- Store the unit in a dry area, locked up or up high to prevent unauthorized use or damage, out of the reach of children.
- Never douse or squirt the unit with water or any other liquid. Keep handles dry, clean and free from debris. Clean after each use. See the *Cleaning and Storage* instructions.
- Keep these instructions. Refer to them often and use them to instruct other users. If you loan someone this unit, also loan them these instructions.

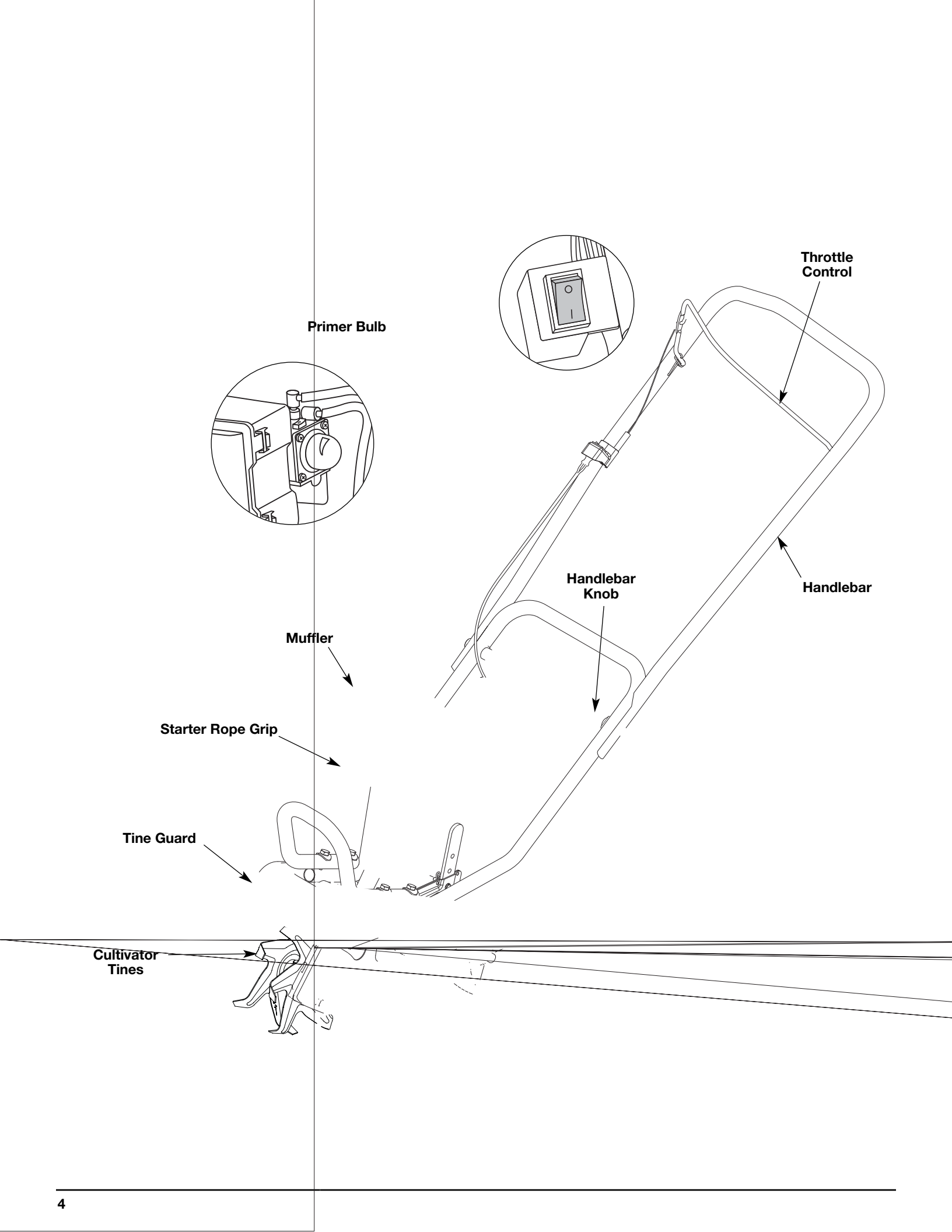
SAVE THESE INSTRUCTIONS

RULES FOR SAFE OPERATION

SAFETY AND INTERNATIONAL SYMBOLS

This operator's manual describes safety and international symbols and pictographs that may appear on this product. Read the operator's manual for complete safety, assembly, operating and maintenance and repair information.

SYMBOL	MEANING	SYMBOL	MEANING
	<ul style="list-style-type: none"> SAFETY ALERT SYMBOL Indicates danger, warning or caution. May be used in conjunction with other symbols or pictographs. 		<ul style="list-style-type: none"> ON/OFF STOP CONTROL ON / START / RUN
	<ul style="list-style-type: none"> WARNING - READ OPERATOR'S MANUAL Read the operator's manual(s) and follow all warnings and safety instructions. Failure to do so can result in serious injury to the operator and/or bystanders. 		<ul style="list-style-type: none"> ON/OFF STOP CONTROL OFF or STOP
	<ul style="list-style-type: none"> WEAR EYE AND HEARING PROTECTION WARNING: Thrown objects and loud noise can cause severe eye injury and hearing loss. Wear eye protection meeting ANSI Z87.1 standards and ear protection when operating this unit. Use a full face shield when needed. 		<ul style="list-style-type: none"> HOT SURFACE WARNING Do not touch a hot muffler, gear housing or cylinder. You may get burned. These parts get extremely hot from operation. They remain hot for a short time after the unit is turned off.
	<ul style="list-style-type: none"> UNLEADED FUEL Always use clean, fresh unleaded fuel 		<ul style="list-style-type: none"> THROWN OBJECTS AND ROTATING CUTTER CAN CAUSE SEVERE INJURY WARNING: Do not operate without the cutting attachment shield in place. Keep away from the rotating cutting attachment.
	<ul style="list-style-type: none"> OIL Refer to operator's manual for the proper type of oil. 		<ul style="list-style-type: none"> GARDEN CULTIVATORS - ROTATING TINES CAN CAUSE SEVERE INJURY WARNING: Stop the engine and allow the tines to stop before installing or removing tines, or before cleaning or performing any maintenance. Keep hands and feet away from rotating tines.
	<ul style="list-style-type: none"> KEEP BYSTANDERS AWAY WARNING: Keep all bystanders, especially children and pets, at least 50 feet (15 m) from the operating area. 		<ul style="list-style-type: none"> CHOKE CONTROL <ol style="list-style-type: none"> FULL choke position PARTIAL choke position RUN choke position



Primer Bulb

Throttle Control

Handlebar Knob

Handlebar

Muffler

Starter Rope Grip

Tine Guard

Cultivator Tines

ASSEMBLY INSTRUCTIONS

NOTE: This unit is shipped without oil in the crankcase. In order to avoid damage to the unit, put oil in the crankcase before attempting to start unit.

NOTE: Before setting up your cultivator / edger, disconnect the spark plug wire from the spark plug.

POSITIONING THE HANDLEBARS

1. Loosen the two knobs on the inside of the handlebars (Fig. 1).

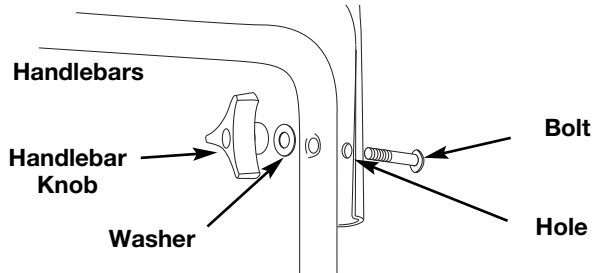


Fig. 1

2. With the unit upright, swing the handlebars up into the operating position (Fig. 2).

NOTE: Take care not to pinch the throttle cable or switch wires when positioning the handlebar.

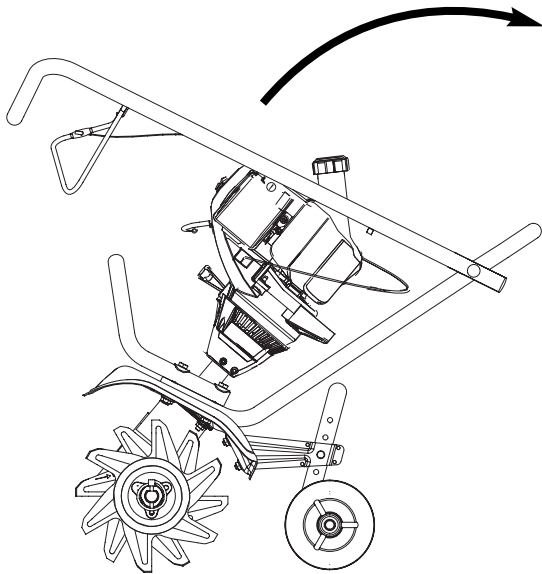


Fig. 2

3. Tighten the knobs to secure the handlebars in place.

NOTE: Do not over-tighten the knobs.

4. Reconnect the spark plug wire to the spark plug.

ADJUSTING TINE DEPTH

To adjust the wheel support bracket proceed as follows:

1. Stop engine and disconnect spark plug to avoid accidental starting.
2. Remove cotter pin from the clevis pin and slide clevis pin out of tailpiece bracket (Fig. 3).
3. Slide the wheel support bracket up or down in the tailpiece, aligning the holes to the desired height.
4. Place the clevis pin through the hole and secure with cotter pin.

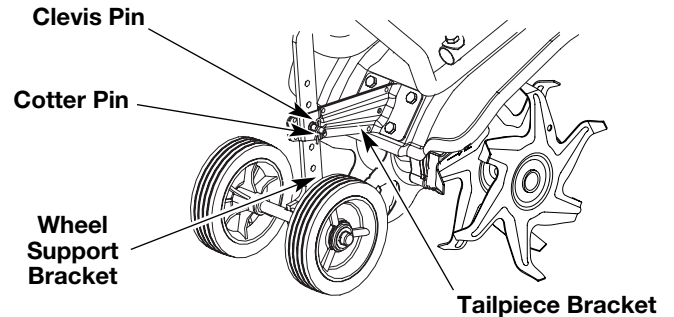


Fig. 3

RECOMMENDED OIL TYPE



Using the proper type and weight of oil in the crankcase is extremely important. Check the oil before each use and change the oil regularly.

Using incorrect or dirty oil can cause premature engine wear and failure.

Use a high-quality SAE 30 weight oil of API (American Petroleum Institute) service class SF, SG, SH.

ADDING OIL TO CRANKCASE: INITIAL USE

NOTE: This unit is shipped without oil in the crankcase. In order to avoid damage to the unit, put oil in the crankcase before attempting to start unit.

Your unit is supplied with one 3.04 fluid oz. (90 ml.) bottle of SAE 30 SF, SG, SH oil (Fig. 5).

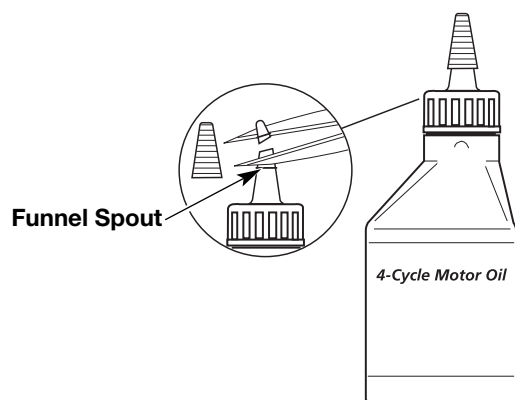


Fig. 5

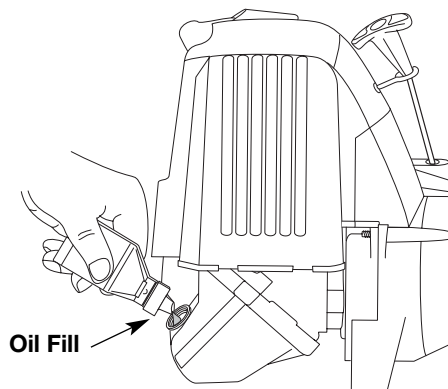
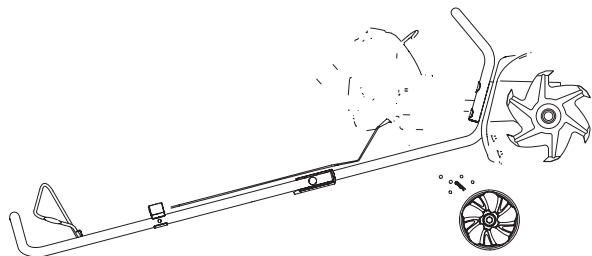


Fig. 8



RECOMMENDED FUEL TYPE



Old fuel is the primary reason for improper unit performance. Be sure to use fresh, clean, unleaded gasoline.

NOTE: This is a four cycle engine. In order to avoid damage to the unit, **do not mix oil with gasoline.**

Definition of Blended Fuels

Today's fuels are often a blend of gasoline and oxygenates such as ethanol, methanol or MTBE (ether). Alcohol-blended fuel absorbs water. As little as 1% water in the fuel can make fuel form acids when stored. When using alcohol-blended fuel, use fresh fuel that is less than 60 days old.

Using Blended Fuels

If you choose to use a blended fuel, or if its use is unavoidable, follow recommended precautions:

- Always use fresh unleaded gasoline
- Use Sta-Bil® or an equivalent
- Drain tank and run the engine dry before storing unit

Using Fuel Additives

The use of fuel additives, such as Sta-Bil® or an equivalent, will inhibit corrosion and minimize the formation of gum deposits. Using a fuel additive can keep fuel from forming harmful deposits in the carburetor for up to six (6) months. Add 0.8 oz. (23 ml.) of fuel additive per gallon of fuel to an approved gas container according to the instructions on the container. NEVER add fuel additives directly to the unit's gas tank.

FUELING THE UNIT

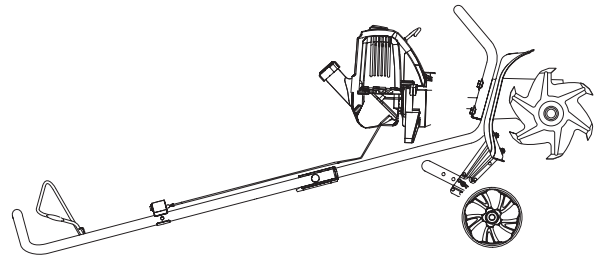
NOTE: Fill or add fuel to the tank only when the cultivator is in a horizontal position (Fig. 9).

1. Remove fuel cap. Remove the tag from the fuel tank neck.
2. Place spout of gas container into the fill hole on the fuel tank and fill tank.

NOTE: Do not overfill tank.

3. Wipe up any gasoline that may have spilled.
4. Reinstall the fuel cap.
5. Move the unit at least 30 ft. (9.1 m) from the fueling source and site before starting the engine.

NOTE: Dispose of the old gasoline in accordance to Federal, State and Local regulations.



STARTING / STOPPING INSTRUCTIONS



WARNING: Operate this unit only in a well-ventilated outdoor area. Carbon monoxide exhaust fumes can be lethal in a confined area.



WARNING: Avoid accidental starting. Make sure you are in the starting position when pulling the starter rope (Fig. 12). To avoid serious injury, the operator and unit must be in a stable position while starting.

STARTING INSTRUCTIONS

1. Check the oil level in the crankcase. Refer to *Checking the Oil Level*.
2. Fill the fuel tank with fresh, clean unleaded gasoline. Refer to *Fueling the Unit*.
3. Make sure the On/Off Stop Control in the **ON [I]** position (Fig. 10).
4. Place the blue choke lever in Position 1 (Fig. 11).
5. Fully press and release the primer bulb 10 times, slowly. Some amount of **fuel should be visible in the primer bulb** and fuel lines (Fig. 11). If you can't see fuel in the bulb, press and release the bulb as many times as it takes before you can see fuel in it.
6. Hold the throttle and handlebar with one hand and grab the starter rope with your other hand. Use your foot to hold down the cultivator (Fig. 12).

NOTE: Tilt the unit back slightly to bring the tines off the ground when starting.

7. While squeezing the throttle control, pull the starter rope out with a **controlled and steady motion** 5 times.

NOTE: The unit uses Spring Assist Starting™, which significantly reduces the effort required to start the engine. You must pull the starter rope out far enough to hear the engine attempt to start. There is no need to pull the rope briskly-- there is no harsh resistance when pulling. Be aware that this starting method is vastly different from (and much easier than) what you may be used to.

8. Move the blue choke lever to Position 2.
9. While squeezing the throttle control, pull the starter rope out with a **controlled and steady motion** until the engine starts.
10. Keep the throttle squeezed and allow the engine to warm up for 15 to 30 seconds.
11. Place the blue choke lever in Position 3. Release the throttle control to the idle position and begin operation.

IF... The engine does not start, repeat Steps 4 - 11.

IF... The engine fails to start after a few attempts, place the blue choke lever in Position 3 and squeeze the throttle control. Pull the starter rope out with a **controlled and steady motion** 3 to 8 times. The engine should start. If not, continue pulling starter rope until the engine starts.

IF WARM... If the engine is already warm, start the unit with the blue choke lever in Position 2. After the unit starts, move the blue choke lever to Position 3.

STOPPING INSTRUCTIONS

1. Release your hand from the throttle control. Allow the engine to cool down by idling.
2. Put the On/Off Stop Control in the **OFF (O)** position.

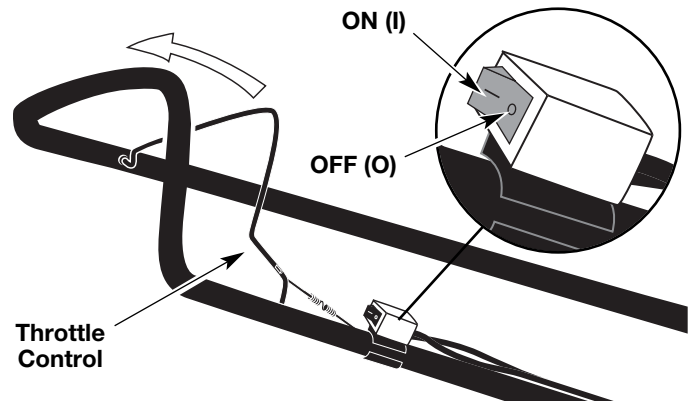


Fig. 10

Blue Choke Lever

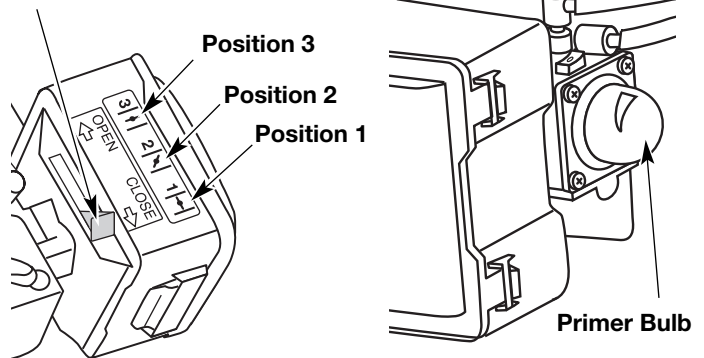


Fig. 11

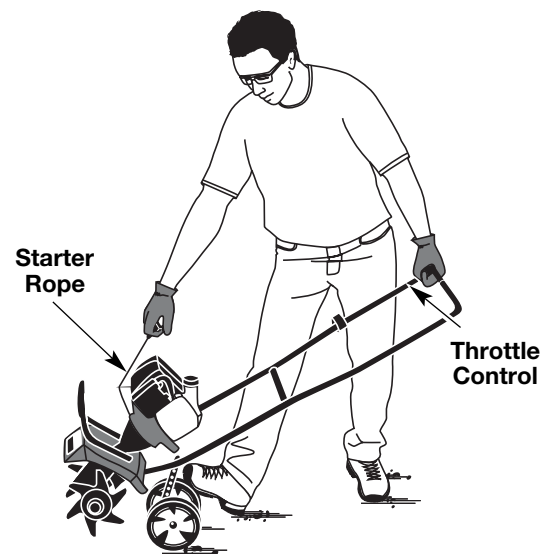


Fig. 12

OPERATING INSTRUCTIONS

OPERATING TIPS



WARNING: Dress properly to reduce the risk of injury when operating this unit. Do not wear loose clothing or jewelry. Wear eye and ear/hearing protection. Wear heavy long pants, boots and gloves. Do not wear short pants, sandals or operate barefoot.

1. Move the cultivator to the work area prior to starting the engine. Transport the cultivator by pushing or pulling it along on its wheels.



WARNING: To prevent serious personal injury, never pick-up or carry the unit while the engine is running.

2. Start the unit by following the *Starting Instructions*.
3. With the engine running and the tines off the ground, depress the throttle control to increase the engine speed.
4. While holding the upper handle with both hands, slowly lower the cultivator until the tines make contact with the ground (Fig. 13).
5. As cultivating action begins, tilt the cultivator up slightly using the handle so that the tines can penetrate the ground.
6. Once the ground has been broken, continue at a moderate pace until you are familiar with the controls and the handling of the cultivator.
7. If the tines are digging too deep or not deep enough, adjust the wheel bracket as described in *Adjusting Tine Depth*.



WARNING: To prevent serious personal injury, use extreme caution when reversing or pulling the unit towards you.



Fig. 13

TRANSPORTING THE UNIT



WARNING: To prevent serious personal injury, always stop the engine when operation is delayed or when transporting the unit from one location to another

1. Stop the engine.
2. Tilt the unit back until the tines clear the ground.
3. Push or pull the unit to the next location to be cultivated.

MAINTENANCE AND REPAIR INSTRUCTIONS

MAINTENANCE SCHEDULE

Perform these required maintenance procedures at the frequency stated in the table. These procedures should also be a part of any seasonal tune-up.

NOTE: Some maintenance procedures may require special tools or skills. If you are unsure about these procedures, take your unit to a MTD or other qualified service dealer. Call 1-800-800-7310 for more information.

NOTE: Maintenance, replacement, or repair of the emission control devices and system may be performed by a MTD or other qualified service dealer. Call 1-800-800-7310 for more information.



WARNING: To prevent serious injury, never perform maintenance or repairs with unit running. Always service and repair a cool unit. Disconnect the spark plug wire to ensure that the unit cannot start.

FREQUENCY	MAINTENANCE REQUIRED	REFER TO
Before starting engine	Fill fuel tank with fresh fuel Check oil	Page 7 Page 10
Every 10 hours	Clean and re-oil air filter	Page 11
First change at 10 hours Second change at 25 hours Every 25 hours thereafter	Change oil Change oil Clean spark arrestor	Page 11 Page 11 Page 14
Every 25 hours	Check spark plug condition and gap	Page 14

TINE REMOVAL AND REPLACEMENT

Replace all four (4) tines at the same time, because they will wear evenly through normal use. Work on one side at a time.



WARNING: To prevent serious personal injury, always wear heavy gloves when handling the tines.

- Put the On/Off Stop Control in the **STOP (O)** position and disconnect the spark plug wire.
- Remove the clevis pin clips and clevis pins (Fig. 11).

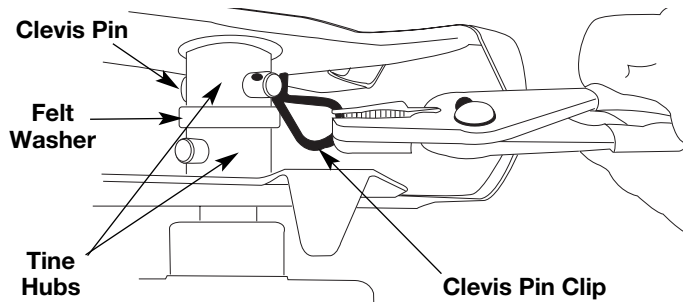


Fig. 11

- Remove the tines and felt washers from the shaft.
- Clean and oil the shaft.
- The tines are stamped with the letter "R" or "L" to identify their position on each side of the gearbox when facing the front of the unit.
- Replace the tines and felt washers onto the shaft with the hubs on the tines facing each other.
- Before you reinstall the clevis pins and pin clips, ensure that the tips on the tines are staggered when compared to each other (Fig. 12).
- Repeat this procedure on the opposite side.

NOTE: When installed correctly, there will be an "R" and "L" tine on both the sides of the gearbox and the tips of the tines. These letters will line up in the same direction for each side. It is important that the tines are installed correctly.

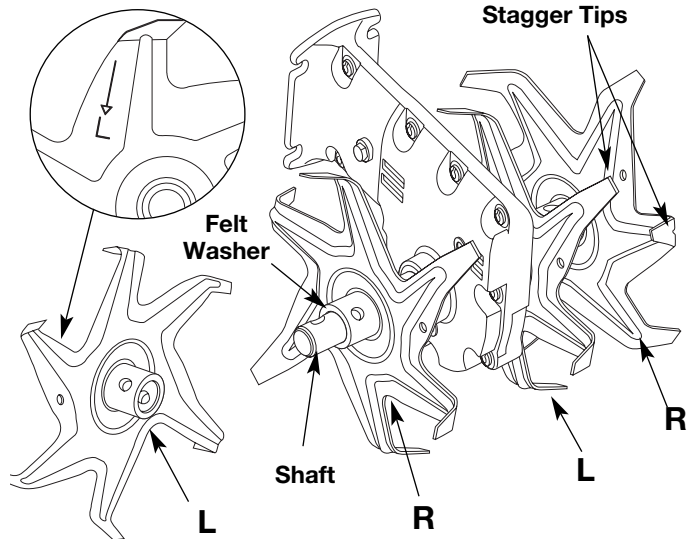


Fig. 12

CHECKING THE OIL LEVEL



CAUTION: To prevent extensive engine wear and damage to the unit, always maintain the proper oil level in the crankcase. Never operate the unit with the oil level below the bottom of the dipstick.

The importance of checking and maintaining the proper oil level in the crankcase cannot be overemphasized. Check oil before each use:

- Stop the engine and allow oil to drain into the crankcase.
- Place the unit on a flat, level surface to get a proper oil level reading (Fig. 9).
- Keep dirt, grass clippings and other debris out of the engine. Clean the area around the oil fill plug/dipstick before removing it.
- Remove the oil fill plug/dipstick and wipe off oil. Reinsert it all the way back in.
- Remove the oil fill plug/dipstick and check the oil level. Oil should be up to the top of the dipstick (Fig. 15).
- If the level is low, add a small amount of oil to the oil fill hole and recheck (Fig. 16). Repeat this procedure until the oil level reaches the top of the dipstick.

NOTE: Do not overfill the unit.

Fig. 15

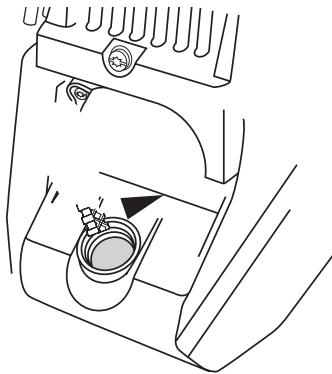


Fig. 16

NOTE: Make sure the O-ring is in place on the oil fill plug/dipstick when checking and changing the oil (Fig. 16).

CHANGING THE OIL

For a new engine, change the oil after the first 10 hours of operation. Change the oil while the engine is still warm. The oil will flow freely and carry away more impurities.

1. Unplug spark plug wire to prevent accidental starting.
2. Remove the oil fill plug/dipstick.
3. Pour the oil out of the oil fill hole and into a container by tipping the unit to a vertical position (Fig. 17). Allow ample time for complete drainage.

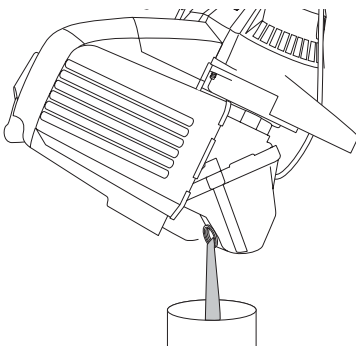


Fig. 17

4. Wipe up any oil residue on the unit and clean up any oil that may have spilled. Dispose of the oil according to Federal, State and local regulations.
5. Refill the crankcase with 3.04 fluid ounce (90 ml) of SAE 30 SF, SG, SH oil.

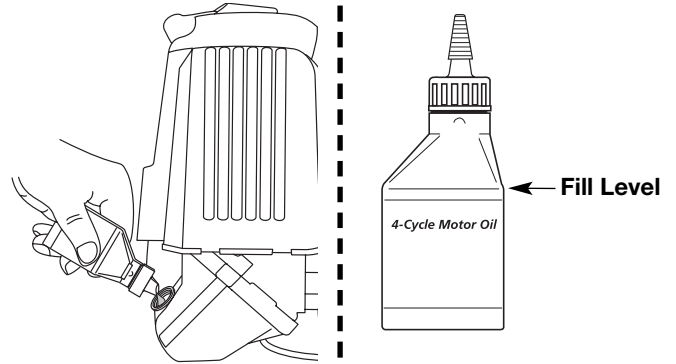


Fig. 18

MAINTENANCE AND REPAIR INSTRUCTIONS

- Wash the filter in detergent and water (Fig. 20). Rinse the filter thoroughly and allow it to dry.

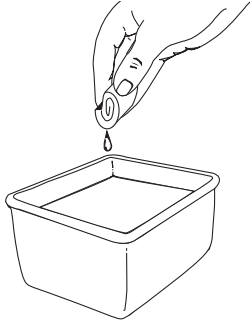


Fig. 20

- Apply enough clean SAE 30 motor oil to lightly coat the filter (Fig. 21).
- Squeeze the filter to spread and remove excess oil (Fig. 21).
- Replace the filter (Fig. 19).

NOTE: If the unit is operated without the air filter, you will **VOID** the warranty.

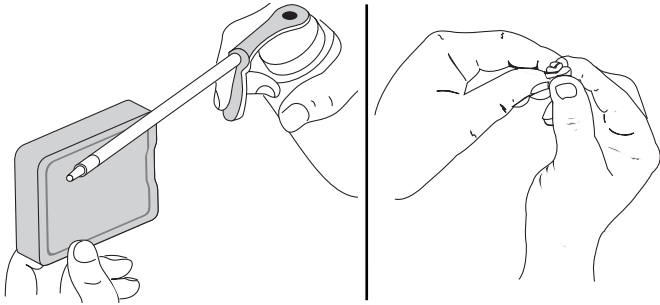


Fig. 21

- Reinstall the air filter cover. Position the hooks on the right side of the air filter cover into the slots at the right side of the air filter housing.
- Swing the cover to the left until the tab on the air filter cover snaps into place in the slot on the left side of the air filter housing (Fig. 18).

CARBURETOR ADJUSTMENT

The idle speed of the engine is adjustable. An idle adjustment screw is reached through a hole in the top of the engine cover (Fig. 22).

NOTE: Careless adjustments can seriously damage your unit. For carburetor adjustments, take your unit to a Sears or other qualified service dealer.

Check Fuel

Old fuel is usually the reason for improper unit performance. Drain and refill the tank with fresh fuel prior to making any adjustments. Refer to *Oil and Fuel Information*.

Clean Air Filter

The condition of the air filter is important to the operation of the unit. A dirty air filter will restrict air flow. This is often mistaken for an out of adjustment carburetor. Check the condition of the air filter before adjusting the idle speed screw. Refer to *Air Filter Maintenance*.

Adjust Idle Speed Screw



WARNING: This unit needs to run during idle speed adjustment. Wear protective clothing and observe all safety instructions to prevent serious personal injury.

If, after checking the fuel and cleaning the air filter, the engine still will not idle, adjust the idle speed screw as follows:

- Start the engine and let it run at a high idle for a minute to warm up. Refer to *Starting/Stopping Instructions*.
- NOTE:** Ensure the tines are not in contact with the ground when adjusting the idle.
- Release the throttle trigger and let the engine idle. If the engine stops, insert a small phillips or flat blade screwdriver into the hole in the air filter/muffler cover (Fig. 22). Turn the idle speed screw in, **clockwise**, 1/8 of a turn at a time (as needed) until the engine idles smoothly.

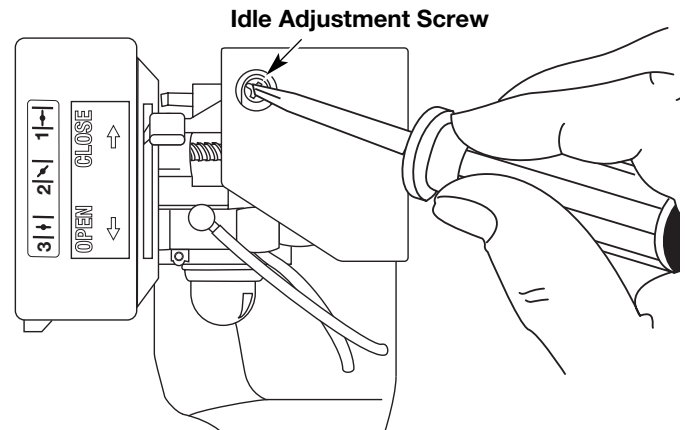


Fig. 22

NOTE: The tines should not rotate when the engine idles.

- If the tines rotate when the engine idles, turn the idle speed screw **counterclockwise** 1/8 of a turn at a time (as needed), to reduce idle speed.

Checking the fuel, cleaning the air filter, and adjusting the idle speed should solve most engine problems. If not and all of the following are true:

- the engine will not idle
- the engine hesitates or stalls on acceleration
- there is a loss of engine power

Have the carburetor adjusted by a MTD or other qualified service dealer.

ROCKER ARM CLEARANCE

The rocker arm clearance may need adjustment if your unit suffers a loss of performance power or has trouble starting. Adjusting the rocker arm clearance requires disassembly of the engine. If you feel unsure or unqualified to perform this, take the unit to a Sears or other qualified service dealer.

NOTE: Inspect the valve to rocker arm clearance with a feeler gauge after the first 10 hours of operation and then every 25 hours of operation thereafter.

- The engine must be cold when checking or adjusting the valve clearance.
- This task should be performed inside, in a clean, dust free area.

To adjust the rocker arm clearance:

- Remove the two (2) screws on top of the engine cover with a Flat-head or T-25 Torx screwdriver (Fig. 23).
- Remove the screw behind the engine cover (Fig. 24).
- Disconnect the spark plug wire.
- Clean dirt from around the spark plug. Remove the spark

MAINTENANCE AND REPAIR INSTRUCTIONS

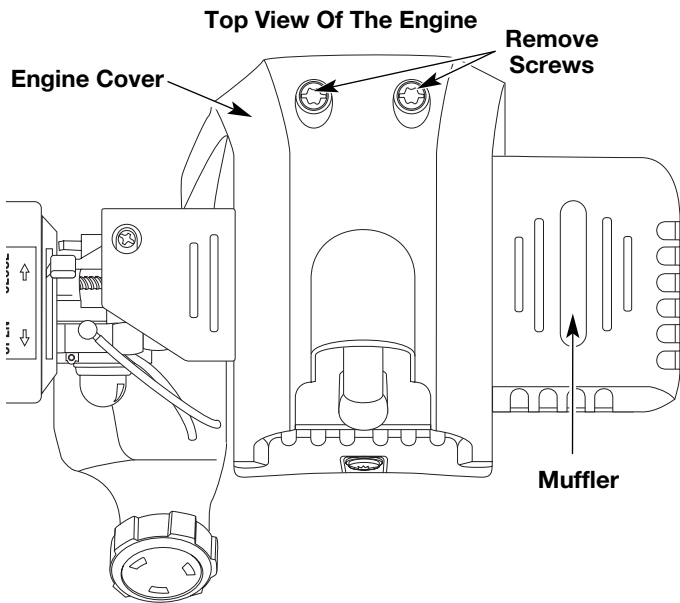


Fig. 23

plug from the cylinder head by turning it counterclockwise with a 5/8" socket.

5. Remove the engine cover.

NOTE: To ease engine cover removal, pull the starter rope out a little to give some slack.

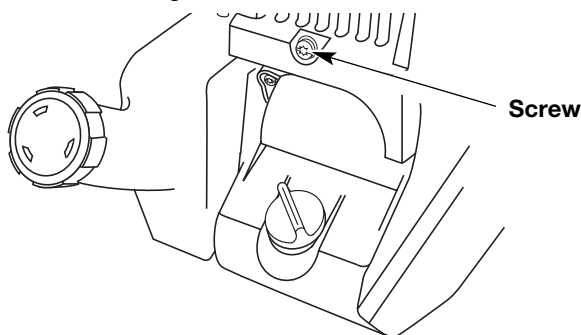


Fig. 24

6. Clean dirt from around the rocker arm cover. Remove the screw holding the rocker arm cover with a large flat blade screwdriver or Torx T-25 bit (Fig. 25). Remove the rocker arm cover and gasket.

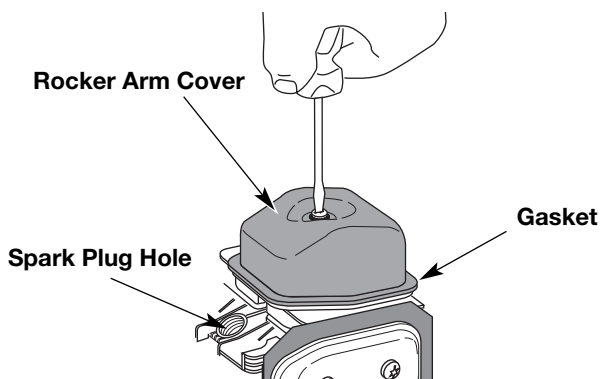


Fig. 25

7. Pull the starter rope slowly to bring the piston to the top of its travel, (known as top dead center). Check that:
 - The piston is at the top of its travel while looking in the spark plug hole (Fig. 25)

- Both rocker arms move freely, and both valves are closed. If these statements are not true, repeat this step.
8. Slide the feeler gauge between the rocker arm and the valve return spring. Measure the clearance between the valve stem and rocker arm (Fig. 29). Measure both the intake and exhaust valves.

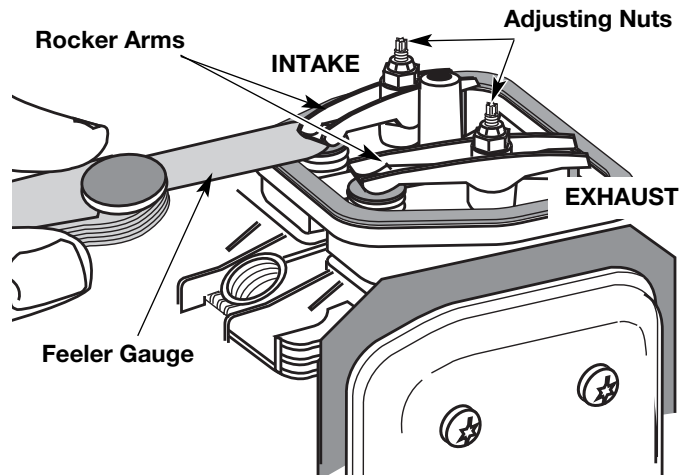


Fig. 28

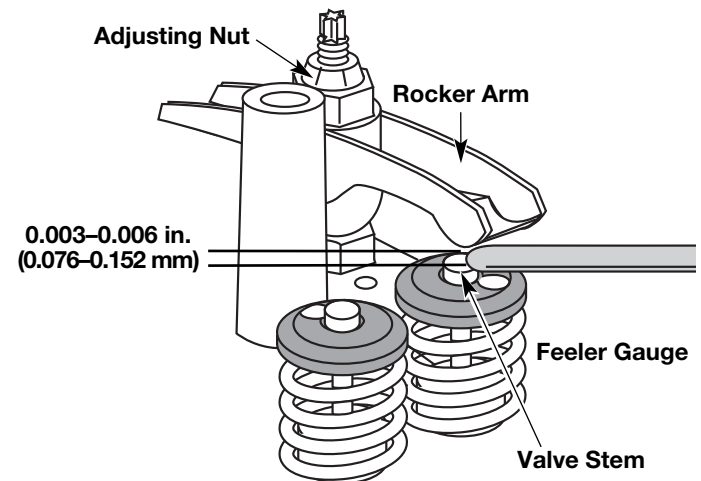


Fig. 29

The recommended clearance for both intake and exhaust is 0.003 – 0.006 in. (0.076 – 0.152 mm). Use a standard automotive 0.005 in. (0.127 mm) feeler gauge. The feeler gauge should slide between the rocker arm and valve stem with a slight amount of resistance, without binding. See Figure 28 and 29.

9. If the clearance is not within specification:
 - a. Turn the adjusting nut using a 5/16 inch (8 mm) wrench or nut driver (Fig. 29).
 - To increase clearance, turn the adjusting nut counterclockwise.
 - To decrease clearance, turn the adjusting nut clockwise.
 - b. Recheck both clearances, and adjust as necessary.
10. Reinstall the rocker arm cover using a new gasket. Torque the screw to 20–30 in•lb (2.2–3.4 N•m).
11. Reinstall the engine cover. Check alignment of the cover before tightening the screws. Tighten screws.
12. Check the spark plug and reinstall. See *Replacing the Spark Plug*.
13. Replace the spark plug wire.

REPLACING THE SPARK PLUG

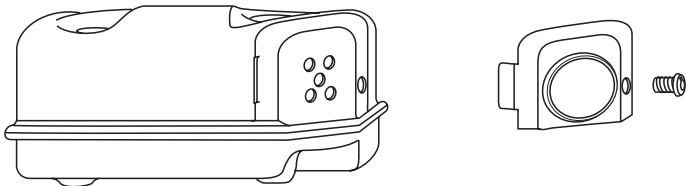
Use a replacement 791-180852B spark plug. The correct air gap is 0.025 in. (0.635 mm.). Remove the plug after every 25 hours of operation and check its condition.

1. Stop the engine and allow it to cool. Grasp the plug wire firmly and pull the cap from the spark plug.
2. Clean dirt from around the spark plug. Remove the spark plug from the cylinder head by turning it counterclockwise with a 5/8" socket.
3. Replace cracked, fouled or dirty spark plug. Set the air gap at 0.025 in. (0.635 mm.) using a feeler gauge (Fig. 23).
4. Install a correctly-gapped spark plug in the cylinder head. Turn the 5/8 in. socket clockwise until snug.

If using a torque wrench torque to:

110-120 in.•lb. (12.3-13.5 N•m)

Do not over tighten.



TROUBLESHOOTING

ENGINE WILL NOT START

CAUSE

Empty fuel tank
 Primer bulb wasn't pressed enough
 Engine is flooded

 Old fuel
 Fouled spark plug
 Plugged spark arrestor
 On/Off Control is in the OFF (O) position

ACTION

Fill fuel tank with new fuel
 Press primer bulb fully and slowly 10 times
 Pull starter rope repeatedly with throttle control fully engaged and with the blue choke lever in Position 3
 Drain gas tank and add fresh fuel
 Replace or clean the spark plug
 Clean or replace spark arrestor
 Move switch to ON (I)

ENGINE WILL NOT IDLE

CAUSE

Air filter is plugged
 Old fuel
 Improper carburetor adjustment

ACTION

Replace or clean the air filter
 Drain gas tank and add fresh fuel
 Adjust according to the *Carburetor Adjustments* section

ENGINE WILL NOT ACCELERATE

CAUSE

Old fuel
 Improper carburetor adjustment

 Dirty air filter
 Plugged spark arrestor

ACTION

Drain gas tank and add fresh fuel
 Take unit to a MTD or other qualified service dealer for an adjustment
 Clean or replace the air filter
 Clean or replace spark arrestor

ENGINE LACKS POWER OR STALLS WHEN UNDER LOAD

CAUSE

Old fuel
 Improper carburetor adjustment

 Fouled spark plug
 Plugged spark arrestor
 Low power
 Cultivator tines bound with dirt or grass

ACTION

Drain gas tank and add fresh fuel
 Take unit to a MTD or other qualified service dealer for an adjustment
 Replace or clean the spark plug
 Clean or replace spark arrestor
 Rocker arm clearance adjustment (see page 18)
 Stop the unit, switch the On/Off Stop Control to STOP, clean and remove any debris binding the tines

SIGNS OF OIL AROUND THE OIL FILL PLUG / DIPSTICK

CAUSE

Oil fill plug/dipstick loose or missing o-ring

ACTION

Tighten oil fill plug/dipstick, replace o-ring

UNIT OCCASIONALLY HESITATES AT HIGH SPEEDS

CAUSE

Spark plug gap is too small/close

ACTION

Adjust gap to 0.025"

NOTE: For repairs beyond the minor adjustments listed above, contact your nearest MTD Parts & Repair center (1-800-800-7310) or other qualified service dealer for an adjustment.

SPECIFICATIONS

ENGINE*

Engine Type	Air-Cooled, 4-Cycle
Displacement	1.6 cu. in. (26.2 cc)
Idle Speed RPM	3,000-3,600 rpm
Operating RPM	7,200-8,800 rpm
Clutch Type	Centrifugal
Ignition Type	Electronic
On/Off Stop Control	Positive On/Off Switch
Valve clearance (intake and exhaust)	0.003–0.006 in. (0.076–0.0152 mm)
Spark Plug Gap	0.025 inch (0.635 mm)
Lubrication	SAE 30 Oil
Crankcase Oil Capacity	3.04 oz (90 ml)
Fuel	Unleaded
Carburetor	Diaphragm, All-Position
Starter	Auto Rewind
Muffler	Baffled with Guard
Throttle	Spring Return
Fuel Tank Capacity	15 oz (444 ml)

CULTIVATOR*

Cultivating Path Width (Maximum)	9 inches (22.86 cm)
Cultivating Depth (Maximum)	6 inches (15.24 cm)
Approximate Weight (no fuel)	25 lb. (11.5 kg)

*All specifications are based on the latest product information available at the time of printing. We reserve the right to make changes at any time without notice.

California / EPA Emission Control Warranty Statement

Your Warranty Rights and Obligations

The California Air Resources Board, the Environmental Protection Agency and MTD LLC (MTD) are pleased to explain the emission control system warranty on your 2005 and later small off-road engine. New small off-road engines must be designed, built and equipped to meet stringent anti-smog standards. MTD must warrant the emission control system on your small off-road engine for the periods of time listed below provided there has been no abuse, neglect or improper maintenance of your small off-road engine.

Your emission control system may include parts such as the carburetor or fuel-injected system, the ignition system, and catalytic converter. Also included may be hoses, belts, connectors and other emission-related assemblies.

Where a warrantable condition exists, MTD will repair your small off-road engine at no cost to you including diagnosis, parts and labor.

The 2005 and later small off-road engines are warranted for two years. If any emission-related part on your engine is defective, the part will be repaired or replaced by MTD.

Owners Warranty Responsibilities

- As the small off-road engine owner, you are responsible for the performance of the required maintenance listed in your operator's manual. MTD recommends that you retain all receipts covering maintenance on your small off-road engine, but MTD cannot deny warranty solely for the lack of receipts or for your failure to ensure the performance of all scheduled maintenance.
- As the small off-road engine owner, you however should be aware that MTD may deny you warranty coverage if your small off-road engine or a part has failed due to abuse, neglect, improper maintenance or unapproved modifications.
- You are responsible for presenting your small off-road engine to a MTD Authorized Service Center as soon as a problem exists. The warranty repairs should be completed in a reasonable amount of time, not to exceed 30 days.

If you have any questions regarding your warranty rights and responsibilities, you should call **1-800-800-7310**.

Manufacturer's Warranty Coverage

- The warranty period begins on the date the engine or equipment is delivered to the retail purchaser.
- The manufacturer warrants to the initial owner and each subsequent purchaser, that the engine is free from defects in material and workmanship which cause the failure of a warranted part for a period of two years.
- Repair or replacement of warranted part will be performed at no charge to the owner at an Authorized MTD Service Center. For the nearest location please contact MTD at: **1-800-800-7310**.
- Any warranted part which is not scheduled for replacement, as required maintenance or which is scheduled for only for regular inspection to the effect of "Repair or Replace as Necessary" is warranted for the warranty period. Any warranted part which is scheduled for replacement as required maintenance will be warranted for the period of time up to the first scheduled replacement point for that part.
- The owner will not be charged for diagnostic labor which leads to the determination that a warranted part is defective, if the diagnostic work is performed at an Authorized MTD Service Center.
- The manufacturer is liable for damages to other engine components caused by the failure of a warranted part still under warranty.
- Failures caused by abuse, neglect or improper maintenance are not covered under warranty.
- The use of add-on or modified parts can be grounds for disallowing a warranty claim. The manufacturer is not liable to cover failures of warranted parts caused by the use of add-on or modified parts.
- In order to file a claim, go to your nearest Authorized MTD Service Center. Warranty services or repairs will be provided at all Authorized MTD Service Centers.
- Any manufacturer approved replacement part may be used in the performance of any warranty maintenance or repair of emission related parts and will be provided without charge to the owner. Any replacement part that is equivalent in performance or durability may be used in non-warranty maintenance or repair and will not reduce the warranty obligations of the manufacturer
- The following components are included in the emission related warranty of the engine, air filter, carburetor, primer, fuel lines, fuel pick up/ fuel filter, ignition module, spark plug and muffler.

MANUFACTURER'S LIMITED WARRANTY FOR:



The limited warranty set forth below is given by MTD LLC ("MTD") with respect to new merchandise purchased and used in the United States, its possessions and territories.

MTD warrants this product against defects in material and workmanship for a period of two (2) years commencing on the date of original purchase and will, at its option, repair or replace, free of charge, any part found to be defective in material or workmanship. This limited warranty shall only apply if this product has been operated and maintained in accordance with the Operator's Manual furnished with the product, and has not been subject to misuse, abuse, commercial use, neglect, accident, improper maintenance, alteration, vandalism, theft, fire, water or damage because of other peril or natural disaster. Damage resulting from the installation or use of any accessory or attachment not approved by MTD for use with the product(s) covered by this manual will void your warranty as to any resulting damage. This warranty is limited to ninety (90) days from the date of original retail purchase for any MTD product that is used for rental or commercial purposes, or any other income-producing purpose.

HOW TO OBTAIN SERVICE: Warranty service is available, WITH PROOF OF PURCHASE THROUGH YOUR LOCAL AUTHORIZED SERVICE DEALER. To locate the dealer in your area, please check for a listing in the Yellow Pages or contact the Customer Service Department of MTD LLC by calling **1-800-800-7310** or writing to P.O. Box 361131, Cleveland OH 44136-0019 or if in Canada call **1-800-668-1238**. No product returned directly to the factory will be accepted unless prior written permission has been extended by the Customer Service Department of MTD LLC.

This limited warranty does not provide coverage in the following cases:

- A. Tune-ups - Spark Plugs, Carburetor Adjustments, Filters.
- B. Wear items - Bump Knobs, Outer Spools, Cutting Line, Inner Reels, Starter Pulley, Starter Ropes, Drive Belts.
- C. MTD does not extend any warranty for products sold or exported outside of the United States of America, its possessions and territories, except those sold through MTD's authorized channels of export distribution.

MTD reserves the right to change or improve the design of any MTD Product without assuming any obligation to modify any product previously manufactured.

No implied warranty, including any implied warranty of merchantability or fitness for a particular purpose, applies after the applicable period of express written warranty above as to the parts as identified. No other express warranty or guaranty, whether written or oral, except as mentioned above, given by any person or entity, including a dealer or retailer, with respect to any product shall bind MTD. During the period of the Warranty, the exclusive remedy is repair or replacement of the product as set forth above. (Some states do not allow limitations on how long an implied warranty lasts, so the above limitation may not apply to you.)

The provisions as set forth in this Warranty provide the sole and exclusive remedy arising from the sales. MTD shall not be liable for incidental or consequential loss or damages including, without limitation, expenses incurred for substitute or replacement lawn care services, for transportation or for related expenses, or for rental expenses to temporarily replace a warranted product (Some states do not allow limitations on how long an implied warranty lasts, so the above limitation may not apply to you).

In no event shall recovery of any kind be greater than the amount of the purchase price of the product sold. Alteration of the safety features of the product shall void this Warranty. You assume the risk and liability for loss, damage, or injury to you and your property and/or to others and their property arising out of the use or misuse or inability to use the product.

This limited warranty shall not extend to anyone other than the original purchaser, original lessee or the person for whom it was purchased as a gift.

How State Law Relates to this Warranty: This warranty gives you specific legal rights, and you may also have other rights which vary from state to state.

To locate your nearest service dealer dial **1-800-800-7310** in the United States or **1-800-668-1238** in Canada.

MTD LLC
P.O. Box 361131
Cleveland, OH 44136-0019

Manuel de L'utilisateur

Cultivateur de Jardin à 4-temps

YM141

CONSERVEZ CES INSTRUCTIONS

Obtenez la liste des concessionnaires agréés appelez le **1-800-800-7310** aux États-Unis ou le **1-800-668-1238** au Canada. Pour de plus amples informations à propos de votre appareil, visitez www.troybilt.com.

NE RETOURNEZ PAS L'APPAREIL AU DÉTAILLANT CHEZ QUI VOUS L'AVEZ ACHETÉ. TOUT SERVICE SOUS GARANTIE NÉCESSITE UNE PREUVE D'ACHAT.

CE PRODUIT EST COUVERT PAR UN OU PLUSIEURS BREVETS AMÉRICAINS, ET D'AUTRES SONT EN INSTANCE.

Tout entretien effectué sur cet appareil pendant et après la période de garantie doit être fait par un concess- ionnaire agréé uniquement.

PARE-ÉTINCELLES

REMARQUE : à l'intention des utilisateurs opérant dans les terres forestières des États-Unis et dans les états de Californie, du Maine, de l'Orégon et de Washington. Toutes les terres forestières des États-Unis et de l'état de Californie (Codes sur les ressources publiques 4442 et 4443), de l'Orégon et de Washington exigent de par la loi que certains moteurs à combustion interne utilisés dans des zones couvertes de taillis ou d'herbe soient équipés d'un pare-étincelles en parfait état de fonctionnement, ou qu'ils soient conçus, équipés et entretenus pour la prévention des incendies. Renseignez-vous auprès des autorités de votre province ou de votre municipalité concernant la réglementation en vigueur. Vous pourriez être passible d'une amende ou être tenu responsable si vous ne respectez pas cette réglementation. Cet appareil est équipé d'un pare-étincelles en usine. **Si l'écran pare-étincelles, réf. 791-180890, doit être remplacé,** communiquez avec le service technique.

AVERTISSEMENT DE LA PROPOSITION 65 DE CALIFORNIE

	AVERTISSEMENT	
LES GAZ D'ÉCHAPPEMENT DU MOTEUR DE CET APPAREIL CONTIENNENT DES PRODUITS CHIMIQUES CONSIDÉRÉS PAR L'ÉTAT DE CALIFORNIE COMME POUVANT CAUSER LE CANCER, DES MALFORMATIONS CONGÉNITALES OU D'AUTRES EFFETS NOCIFS SUR L'APPAREIL DE REPRODUCTION.		

Toutes les informations, illustrations et spécifications contenues dans ce manuel tiennent compte des dernières informations techniques disponibles au moment de mettre sous presse. Nous nous réservons le droit d'y apporter des modifications à tout moment, sans préavis.

Copyright© 2005 MTD SOUTHWEST INC., Tous droits réservés.



TABLE DES MATIÈRES

Service technique	F1
Consignes de sécurité	F2
Informations sur l'huile et le carburant	F3
Familiarisez-vous avec votre appareil	F4
Instructions de montage	F5
Instructions de démarrage et d'arrêt	F6
Mode d'emploi	F7
Entretien et réparations	F9
Nettoyage et entreposage	F12
Tableau de dépannage	F13
Caractéristiques	F14
Garantie	F15-F16
Liste des pièces	E18



AVERTISSEMENT: Lorsque vous utilisez la machine, vous devez suivre les consignes de sécurité. Veuillez lire ces instructions avant d'opérer la machine pour vous assurer de la sécurité de l'opérateur et de tout spectateur. Veuillez conserver ces instructions pour un usage ultérieur.

• IMPORTANTES CONSIGNES DE SÉCURITÉ •

LIRE TOUTES LES INSTRUCTIONS AVANT UTILISATION

- Veuillez lire les instructions avec soin. Familiarisez-vous avec les commandes et l'utilisation correcte de cet appareil.
- N'utilisez pas l'appareil si vous êtes fatigué, malade ou sous l'effet de l'alcool, de drogues ou de médicaments.
- Les enfants et adolescents de moins de 15 ans ne doivent pas utiliser l'appareil exceptés les adolescents assistés d'un adulte.
- Inspectez l'appareil avant utilisation. Remplacez les pièces endommagées. Regardez s'il y a des fuites de carburant. Assurez-vous que les fixations sont solidement en place. Remplacez les pièces qui sont fendillées, ébréchées ou endommagées. N'utilisez pas l'appareil avec des pièces desserrées ou endommagées.
- Soyez conscient des risques de blessure à la tête, aux mains et aux pieds.
- Appuyez sur la manette des gaz et assurez-vous qu'elle revient automatiquement en position de ralenti. Procédez à tous les réglages ou réparations avant d'utiliser l'appareil.
- Éloignez enfants, spectateurs et animaux de la zone. Tenez-les à au moins 15 m (50 pi) de là mais sachez que les spectateurs risquent quand même d'être atteints par des objets projetés. Conseillez-leur de porter des protecteurs oculaires. Arrêtez immédiatement l'appareil si quelqu'un s'approche de vous.

AVERTISSEMENTS DE SÉCURITÉ CONCERNANT L'APPAREIL À GAZ

- Ne stockez le carburant que dans des contenants spécialement conçus et homologués pour le stockage de ce type de matières.



AVERTISSEMENT : l'essence est extrêmement inflammable et ses vapeurs peuvent exploser si on y met le feu. Veuillez prendre les précautions suivantes.

- Arrêtez toujours le moteur et laissez-le refroidir avant de remplir le réservoir de carburant. N'enlevez jamais le bouchon du réservoir et n'ajoutez jamais de carburant pendant que le moteur est chaud. Ne faites jamais fonctionner l'appareil sans que le bouchon de carburant soit bien mis. Desserrez lentement le bouchon afin de réduire la pression du réservoir.
- Évitez de créer une source d'allumage pour le carburant déversé. Ne démarrez pas le moteur avant que les vapeurs de carburant ne se soient dissipées.
- Mélangez et ajoutez le carburant dans un endroit bien aéré et propre en plein air à l'abri des étincelles ou des flammes. N'enlevez lentement le bouchon du réservoir d'essence qu'après avoir arrêté le moteur. Ne fumez pas pendant le remplissage ou le mélange de carburant. Essayez immédiatement tout déversement de carburant de l'appareil.
- Éloignez l'appareil d'au moins 9.1 m (30 pi) de la source de ravitaillement en carburant avant de démarrer le moteur. Ne fumez pas et éloignez toute source d'étincelles ou de flammes vives du lieu de ravitaillement ou de fonctionnement de l'appareil.

PENDANT L'UTILISATION DE L'APPAREIL

- Évitez de démarrer ou de faire marcher l'appareil à l'intérieur d'une pièce ou d'un bâtiment fermé. La respiration de fumées d'échappement peut tuer. Ne faites fonctionner cet appareil qu'à l'extérieur dans un endroit bien aéré.
- Portez des lunettes de sécurité conformes aux normes ANSI Z87.1 ainsi que des protège-oreilles durant l'utilisation de l'appareil. Portez un masque facial ou antipoussières si vous travaillez dans un lieu poussiéreux.
- Portez des pantalons épais et longs, des bottes, des gants et une chemise à manches longues. Ne marchez pas pieds nus et évitez les pantalons courts et les sandales.
- Pour réduire le risque de blessure dû à des objets happés par des pièces rotatives, évitez de porter des vêtements lâches, des bijoux ou des foulards, etc. Relevez les cheveux au-dessus des épaules.
- N'utilisez l'appareil qu'en plein jour ou avec un bon éclairage

artificiel.

- Toutes les surfaces extérieures doivent être exemptes d'huile et de carburant.
- Cet appareil est muni d'un embrayage. Les dents restent immobiles lorsque le moteur est au ralenti. Si ce n'est pas le cas, faites régler l'appareil par un technicien agréé.
- Avant de démarrer l'appareil, assurez-vous que les dents ne touchent aucun objet.
- Évitez tout démarrage accidentel. Mettez-vous en position de démarrage chaque fois que vous tirez sur la corde de démarrage. L'opérateur et l'appareil doivent tous deux être en position stable à ce moment-là. Voir les Instructions de démarrage et d'arrêt.
- Ne vous étirez pas. Tenez-vous toujours bien sur vos pieds en position d'équilibre.
- Ne forcez pas l'appareil. Il posera moins de risques de blessures et fonctionnera mieux à la vitesse pour laquelle il a été conçu.
- Soyez très prudent lorsque vous faites marche arrière ou que vous tirez l'appareil vers vous.
- Ne vous étirez pas et faites très attention sur des pentes abruptes. Tenez-vous toujours en équilibre.
- Tenez toujours l'appareil des deux mains lorsqu'il est en marche. Agrippez fermement les deux poignées du guidon.
- Gardez les mains, le visage et les pieds éloignés des pièces mobiles. Ne touchez pas les dents et n'essayez pas de les arrêter lorsqu'elles tournent. Ne faites pas fonctionner l'appareil sans les protections.
- Ne touchez pas le moteur, le silencieux ou la boîte d'engrenages. Ces pièces deviennent très chaudes à l'utilisation. Elles restent chaudes brièvement après l'arrêt.
- Ne faites pas tourner le moteur à un régime supérieur à celui nécessaire pour la tâche. Ne faites pas tourner le moteur à haut régime lorsqu'il ne sert pas.
- Arrêtez toujours le moteur lorsque vous suspendez la coupe ou lorsque vous vous déplacez d'un lieu de travail vers un autre.
- Arrêtez le moteur en cas d'entretien, de réparation, d'installation ou de retrait des dents. L'appareil et les dents doivent être arrêtés pour éviter toute blessure.
- Les dents deviennent très tranchantes à l'usage. Portez toujours des gants lorsque vous manipulez, retirez, installez ou nettoyez les dents.
- N'utilisez que des pièces de équipement original rechange et accessoires d'origine pour cet appareil. Elles sont disponibles auprès de votre concessionnaire agréé. L'utilisation de pièces ou accessoires autres que ceux de équipement original peut causer des blessures graves, endommager l'appareil et annuler sa garantie.
- Gardez l'appareil exempt d'accumulation de végétation ou autres matières. Celles-ci peuvent rester logées entre les dents, la boîte d'engrenages ou le protecteur.
- Afin de diminuer les risques d'incendie, remplacez tout silencieux ou pare-étincelles défectueux et conservez le moteur et le silencieux exempts d'herbe, de feuilles et d'accumulation excessive de graisse ou de carbone.










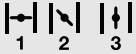


AUTRES AVERTISSEMENTS DE SÉCURITÉ

- N'entreposez jamais l'appareil rempli de carburant dans un édifice où les vapeurs peuvent atteindre une source de flammes vives ou d'étincelles.
- Laissez le moteur se refroidir avant de l'entreposer ou de le transporter. Attachez bien l'appareil pendant le transport.
- Rangez l'appareil dans un endroit verrouillé et sec, ou élevé et sec, hors de portée des enfants, pour éviter une utilisation indésirable ou un accident.
- Ne trempez et n'arrosez jamais l'appareil avec de l'eau ou tout autre liquide. Gardez les poignées sèches, propres et exemptes de débris. Nettoyez après chaque usage. Voir les sections *Nettoyage et Entreposage*.
- Conservez ces instructions. Consultez-les souvent et servez-vous en pour instruire d'autres usagers. Si vous

CONSIGNES DE SÉCURITÉ

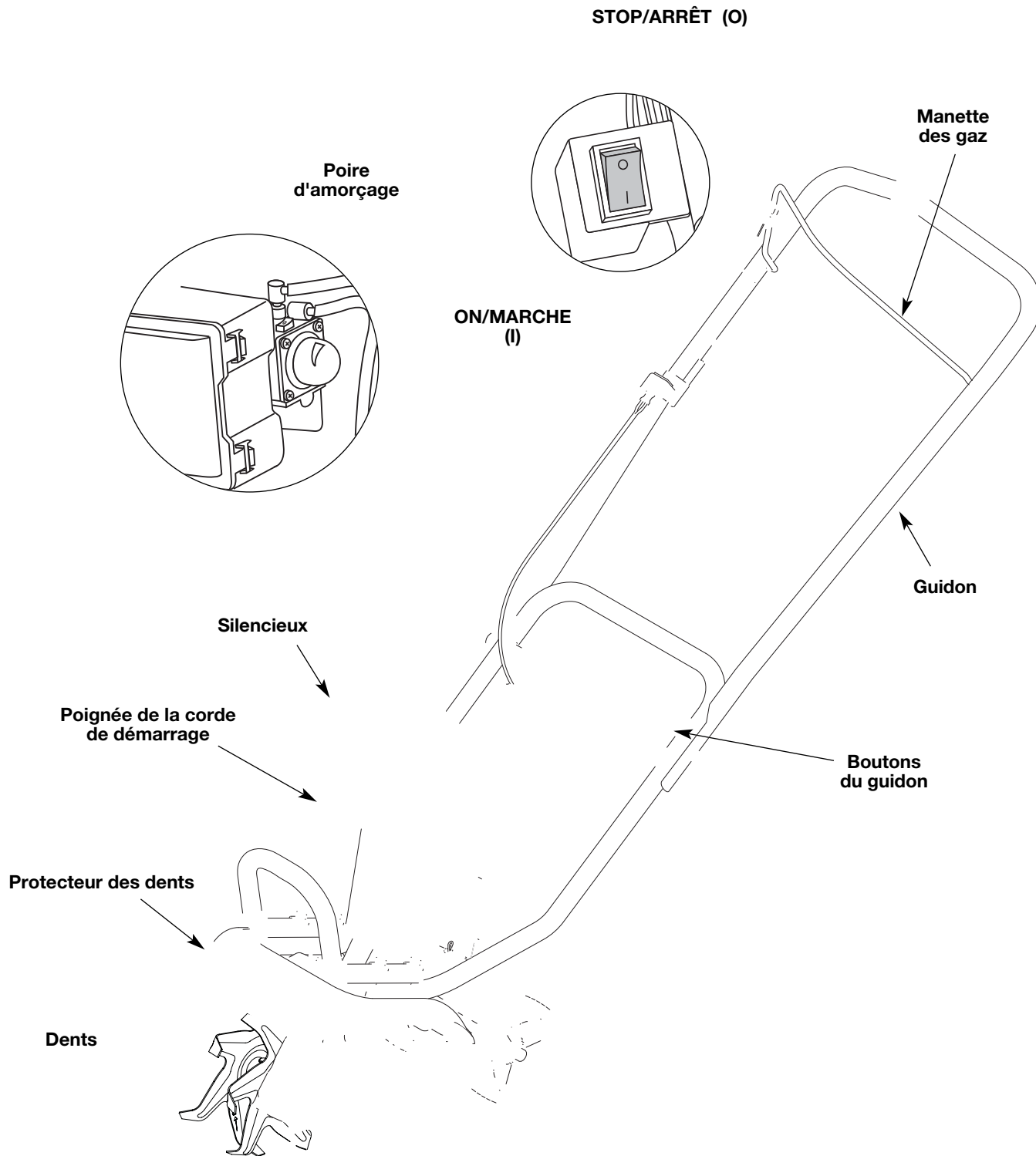
SYMBOLES DE SÉCURITÉ ET INTERNATIONAUX

Ce manuel de l'utilisateur décrit les symboles et pictogrammes de sécurité et internationaux pouvant apparaître sur ce produit. Consultez le manuel de l'utilisateur pour les informations concernant la sécurité, le montage, le fonctionnement, l'entretien et les réparations.

SYMBOLE	SIGNIFICATION	SYMBOLE	SIGNIFICATION
	<ul style="list-style-type: none"> • SYMBOLE ALERTE DE SÉCURITÉ Indique un danger, un avertissement ou une mise en garde. Ce symbole peut être combiné à d'autres symboles ou pictogrammes. 		<ul style="list-style-type: none"> • COMMANDE MARCHE/ARRÊT ALLUMAGE / DÉMARRAGE / MARCHE
	<ul style="list-style-type: none"> • LISEZ LE MANUEL DE L'UTILISATEUR AVERTISSEMENT - Lisez le manuel de l'utilisateur et suivez tous les avertissements et consignes de sécurité. Vous pourriez à défaut entraîner des blessures graves pour vous ou d'autres personnes. 		<ul style="list-style-type: none"> • COMMANDE MARCHE/ARRÊT ARRÊT ou STOP
	<ul style="list-style-type: none"> • PORTEZ DES PROTECTIONS (YEUX ET OREILLES) AVERTISSEMENT: les objets projetés et les bruits forts peuvent endommager la vue et l'ouïe. Portez une visière de norme ANSI Z87.1-1989 et des protège-oreilles pendant l'utilisation. 		<ul style="list-style-type: none"> • ÉLOIGNEZ LES SPECTATEURS AVERTISSEMENT: éloignez tout spectateur, les enfants et les animaux domestiques en particulier, d'au moins 15 m (50 pi) de la zone de coupe.
	<ul style="list-style-type: none"> • CARBURANT SANS PLOMB Utilisez toujours du carburant sans plomb frais et propre. 		<ul style="list-style-type: none"> • LES OBJETS PROJETÉS ET LA TÊTE ROTATIVE PEUVENT CAUSER DES BLESSURES GRAVES AVERTISSEMENT: ne faites pas fonctionner sans protecteur de sécurité en plastique. Tenez-vous à l'écart de l'accessoire de coupe rotatif.
	<ul style="list-style-type: none"> • NIVEAU D'HUILE Voir le manuel de l'utilisateur pour le type d'huile approprié. 		<ul style="list-style-type: none"> • CONTRÔLE DE L'ÉTRANGLEUR <ol style="list-style-type: none"> 1. Position d'ÉTRANGLEMENT MAXIMUM 2. Position d'ÉTRANGLEMENT PARTIEL 3. Position MARCHE.
	<ul style="list-style-type: none"> • AVERTISSEMENT SURFACE CHAUDE Ne touchez pas un silencieux ou un cylindre chaud. Vous pourriez vous brûler. Ces pièces deviennent très chaudes à l'utilisation. Elles restent chaudes brièvement après l'arrêt. 		<ul style="list-style-type: none"> • CULTIVATEURS – LES DENTS ROTATIVES PEUVENT BLESSER GRIÈVEMENT AVERTISSEMENT : Arrêtez le moteur et laissez les dents s'arrêter avant d'en installer ou en retirer, ou d'entreprendre un nettoyage ou entretien. Gardez les mains et les pieds éloignés des dents en rotation.

USAGE

Cet appareil sert à travailler le sol avant de le gazonner ainsi que des sols à texture légère ou moyenne. Il peut aussi être utilisé pour cultiver dans les jardins, autour des arbres, etc.



REMARQUE : Cet appareil est expédié sans essence ou huile. Pour éviter tout dommage à l'appareil, consultez les *informations sur l'huile et l'essence* pour mettre l'huile et l'essence dans le carter-moteur avant d'essayer de le faire démarrer.

REMARQUE : Avant de monter votre cultivateur/coupe-bordures, débranchez le câble de bougie de la bougie et mettez-le à la terre sur un boulon du moteur.

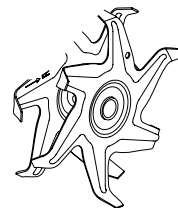
POSITIONNEMENT DES POIGNÉES

1. Desserrez les deux boutons à l'intérieur des poignées (Fig. 1).

RÉGLAGE DE LA PROFONDEUR DES DENTS

Procédez de la façon suivante pour ajuster le support de la roue :

1. Coupez le moteur et débranchez la bougie pour éviter tout démarrage accidentel.
2. Retirez le boulon à clavette de la vis à oeillet et faites glisser la goupille du support de la partie arrière (Fig. 3).
3. Faites glisser le support de la roue vers le haut ou le bas dans la partie arrière en alignant les trous à la hauteur désirée.
4. Placez la vis à oeillet dans le trou et maintenez en place avec un boulon à clavette.



TYPE D'HUILE RECOMMANDÉ



Il est extrêmement important d'utiliser les bons type et indice d'huile dans le carter-moteur. Vérifiez l'huile avant chaque utilisation et changez-la périodiquement. Le fait de ne pas

utiliser la bonne huile ou d'utiliser une huile sale peut entraîner une usure et une défaillance prématurées du moteur.

Utilisez une huile de haute qualité à indice SAE 30 API (American Petroleum Institute) de type SG, SF, SH.

AJOUT D'HUILE AU CARTER: MISE EN SERVICE

REMARQUE: cet appareil est livré sans huile. Pour éviter d'endommager l'appareil, mettez de l'huile dans le carter moteur avant le démarrage.

Votre appareil est livré avec une bouteille d'huile SAE 30 SF, SG, SH de 90 ml (3,04 oz) (Fig. 5).

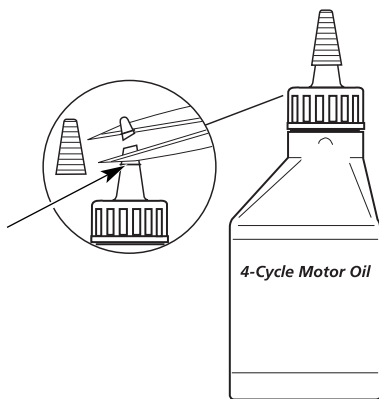
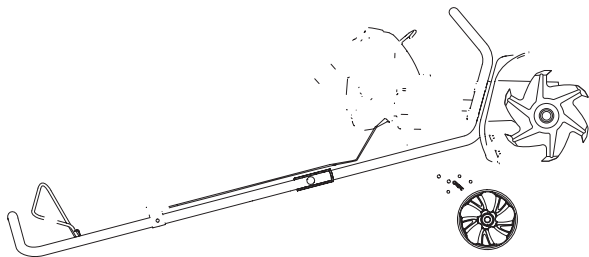
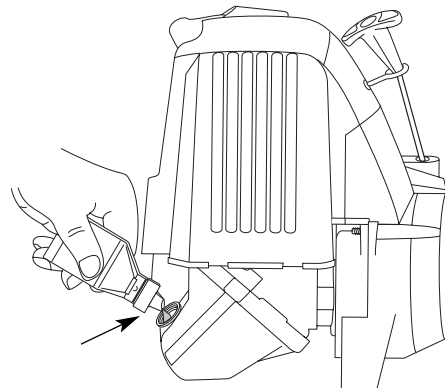


Fig. 5

Fig. 7



TYPE CARBURANT RECOMMANDÉ



En général, si l'appareil ne fonctionne pas correctement, c'est que le carburant est vieux ou mal mélangé. Prenez soin d'utiliser du carburant sans plomb frais et propre.

REMARQUE : ceci est un moteur à quatre temps. Pour éviter d'endommager l'appareil, **ne mélangez pas l'huile avec l'essence.**

Définition des carburants mélangés

Les carburants d'aujourd'hui sont souvent un mélange d'essence et d'oxygénés comme l'éthanol, le méthanol ou l'éther MTBE. Un carburant mélangé à l'alcool absorbe l'eau. Il suffit de 1% d'eau pour séparer le carburant et l'huile, ce qui forme de l'acide pendant l'entreposage. Si vous devez utiliser ce type de carburant, servez-vous de carburant frais (moins de 60 jours).

Usage de carburants mélangés

Si vous choisissez d'utiliser ou ne pouvez éviter d'utiliser un carburant mélangé, suivez les conseils suivants :

- Utilisez toujours un mélange de carburant frais selon le manuel de l'utilisateur.
- Utilisez l'additif STA-BIL^{MD} ou un produit équivalent.
- Agitez toujours le mélange de carburant avant d'alimenter l'appareil.
- Videz le réservoir et faites marcher le moteur jusqu'à ce qu'il soit à sec avant d'entreposer l'appareil.

Utilisation d'additifs de carburant

L'utilisation d'additifs de carburant tel que le stabilisant d'essence STA-BIL^{MD} ou un produit équivalent permet d'empêcher la corrosion et de minimiser la formation de résidus de gomme. L'usage d'additifs peut empêcher le carburant de former des dépôts nocifs dans le carburateur pendant six (6) mois maximum. Ajoutez 23 ml (0,8 oz) d'additif par 4 litres (1 gallon) de carburant selon les instructions du récipient. N'ajoutez JAMAIS d'additifs directement dans le réservoir de l'appareil.

Ajour de Carburant

1. Déposez le bouchon à essence.

REMARQUE : Remplissez ou ajoutez du carburant dans le réservoir uniquement lorsque le cultivateur est en position horizontale (Fig. 9).

2. Placez le bec du récipient d'essence dans l'orifice du réservoir et remplissez celui-ci.

REMARQUE : Ne remplissez pas trop le réservoir.

3. Essuyez tout déversement d'essence.
4. Remettez le bouchon du réservoir.

5. Éloignez l'appareil d'au moins 9,1 m (30 pi) de la source et du site de ravitaillement en carburant avant de démarrer le moteur.

REMARQUE : Éliminez le vieux carburant conformément aux règlements fédéral, provincial et municipal en vigueur.

Bouchon du carburant

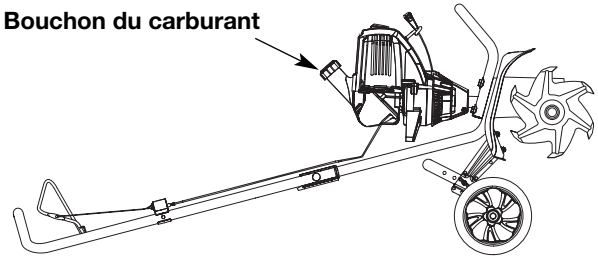


Fig. 9



AVERTISSEMENT : L'essence est extrêmement inflammable et les vapeurs qui s'en dégagent peuvent exploser si on y met le feu. Arrêtez toujours le moteur et laissez-le refroidir avant de remplir le réservoir. Ne fumez pas en remplissant le réservoir. Éloignez toute source d'étincelles ou de flammes vives de la zone.



AVERTISSEMENT : Enlevez le bouchon du réservoir lentement pour ne pas être blessé par les jets d'essence. Ne faites pas marcher l'appareil sans que le bouchon soit bien mis.



AVERTISSEMENT : Ajoutez du carburant dans un lieu propre et bien aéré en plein air. Essuyez immédiatement tout déversement de carburant. Évitez de mettre le feu au carburant déversé. Ne démarrez pas le moteur avant dissipation des vapeurs de carburant.

INSTRUCTIONS DE DÉMARRAGE ET ARRÊT



AVERTISSEMENT : n'utiliser l'outil qu'à l'extérieur, dans un endroit bien aéré. Les émanations d'oxyde de carbone dans un endroit confiné peuvent être mortelles.



AVERTISSEMENT : éviter le démarrage accidentel. Se tenir en position de démarrage pour lancer le moteur (Fig. 12). Lors du démarrage, l'opérateur et l'outil doivent être en position d'équilibre afin d'éviter le risque de blessures graves.

INSTRUCTIONS DE DÉMARRAGE

1. Vérifiez le niveau d'huile dans le carter moteur. Voir *Vérification du niveau d'huile*.
2. Remplissez le réservoir d'essence sans plomb propre et frais. Voir *Ajout de Carburant*.
3. Mettez la commande Marche/Arrêt Stop en position MARCHE (I) (Fig. 10).
4. Mettez le levier d'étrangleur bleu en **Position 1** (Fig. 11).
5. Pressez et relâchez la poire d'amorçage à 10 reprises, lentement. Une certaine quantité de **carburant devrait être visible dans la poire d'amorçage** et les conduites de carburant (Fig. 11). Si vous n'apercevez pas de carburant dans la poire, pressez et relâchez la poire autant de fois que nécessaire jusqu'à ce que vous aperceviez du carburant dans cette dernière.
6. Tenez-vous entre les poignées et soutenez l'appareil en plaçant le pied gauche sur le support de roue et en tenant le guidon de la main droite (Fig. 12).

REMARQUE : Au démarrage, inclinez légèrement l'appareil vers l'arrière pour décoller les dents du sol.

7. Tout en appuyant sur la manette des gaz, saisissez la corde de démarrage de la main gauche et tirez le cordon de démarrage d'un **mouvement contrôlé et ferme** à 5 reprises.

REMARQUE: La machine utilise la technologie Spring Assist Starting^{MC} qui réduit significativement l'effort requis pour démarrer le moteur. Vous devez tirer le cordon de démarrage suffisamment loin pour entendre le moteur essayer de démarrer. Il n'est pas nécessaire de tirer le cordon brusquement — il n'y a pas de véritable résistance lorsque vous tirez. Cette méthode de démarrage est fort différente (et beaucoup plus facile) de celles auxquelles vous êtes habitué.

8. Mettez le levier d'étrangleur bleu en **Position 2**.
9. Tout en appuyant sur la manette des gaz, tirez le cordon de démarrage d'un **mouvement contrôlé et ferme** jusqu'à ce que le moteur démarre.
10. Laissez-le tourner pendant 15 à 30 secondes.
11. Mettez le levier d'étrangleur bleu en **Position 3**. Mettez la manette des gaz en position de ralenti et commencez le travail.

SI... Le moteur ne démarre pas, retournez à l'étapes 4-11.

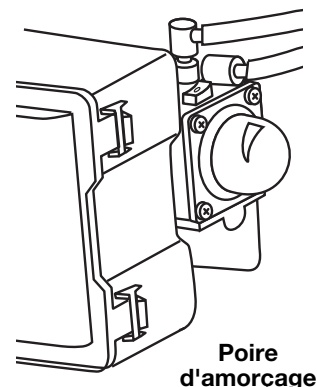
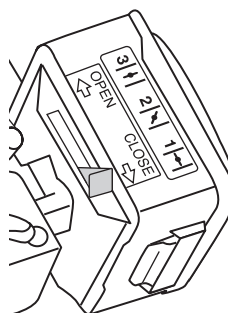
SI... Le moteur ne démarre pas après quelques tentatives, placez levier d'étrangleur bleu en **Position 3** et appuyez sur la manette des gaz. Tirez le cordon de démarrage d'un **mouvement contrôlé et ferme** à 3 et 8 fois. Le moteur devrait démarrer. S'il ne démarre pas, recommencez.

SI CHAUD... Le moteur est déjà chaud, démarrez la machine avec le levier d'étrangleur bleu en **Position 2**. Après que la machine ait démarré, mettez le levier d'étrangleur bleu en **Position 3**.

INSTRUCTIONS D'ARRÊT

1. Relâchez la manette des gaz. Laissez le moteur refroidir au ralenti.
2. Mettez la commande Marche/Arrêt Stop en position ARRÊT (O).

Levier d'étrangleur bleu



Poire d'amorçage

CONSEILS D'UTILISATION

1. Déplacez le cultivateur vers le lieu de travail avant de démarrer le moteur. Vous pouvez le transporter sur ses roues ou en le tenant par le tube central de la poignée.
2. Démarrez l'appareil conformément aux instructions de démarrage.
3. Pendant que le moteur tourne et que les dents ne touchent pas le sol, appuyez sur la manette des gaz pour augmenter le régime du moteur.
4. Tout en tenant la poignée supérieure avec les deux mains, le cultivateur jusqu'à ce que les dents touchent le sol (Fig. 13).
5. Dès que vous commencez à cultiver, inclinez légèrement l'appareil vers le haut à l'aide des poignées pour faire pénétrer les dents dans le sol.
6. Une fois le sol entamé, continuez le travail d'un rythme modéré jusqu'à ce que vous vous sentiez à l'aise avec les commandes et la manipulation du cultivateur.
7. Si les dents mordent trop profondément ou pas assez, réglez le support de roue selon la section *Réglage de la profondeur des dents*.

Fig. 13

Programmed D'Entretien

L'entretien doit respecter la fréquence indiquée dans le tableau ci-dessous. Il doit également faire partie de toute mise au point saisonnière.

REMARQUE : certaines procédures d'entretien nécessitent des compétences ou des outils particuliers. Si vous n'êtes pas sûr de pouvoir les entreprendre, emmenez votre appareil dans un atelier, chez un technicien ou un concessionnaire agréé spécialisé dans les réparations de moteurs d'outils mécaniques de plein air.

REMARQUE: l'entretien, le remplacement ou la réparation des dispositifs et systèmes antipollution peuvent être effectués par tout atelier, technicien ou concessionnaire agréé spécialisé dans les réparations de moteurs d'outils mécaniques de plein air.



AVERTISSEMENT : ne faites jamais d'entretien ou de réparation avec l'appareil en marche mais plutôt lorsque le moteur est froid. Déconnectez le câble de bougie pour vous assurer que l'appareil ne démarrera pas.

FRÉQUENCE	ENTRETIEN REQUIS	RÉFÉRENCE
Avant le démarrage du moteur	Remplissez le réservoir de carburant frais Vérifiez l'huile	Page F7 Page F10
Toutes les 10 heures	Nettoyez le filtre à air et lubrifiez-le de nouveau	Page F11
1er changmnt après 10 heures 2er changmnt après 25 heures Toutes les 25 heures après	Changez l'huile Changez l'huile Nettoyez le pare-étincelles	Page F11 Page F11 Page F14
10 heures pour un moteur neuf Toutes les 25 heures après Toutes les 25 heures	Vérifiez et réglez le jeu entre soupape et culbuteur Vérifiez et réglez le jeu entre soupape et culbuteur Vérifiez l'état de la bougie et l'écartement des électrodes	Page F15 Page F15 Page F17

RETRAIT ET REMPLACEMENT DES DENTS

Vous devez remplacer les 4 dents en même temps parce qu'elles s'usent de manière égale. Commencez par un côté à la fois.



AVERTISSEMENT : Pour éviter des blessures graves, portez toujours des gants épais lorsque vous manipulez les dents.

1. Mettez la commande Marche/Arrêt Stop en position ARRÊT (O). Positionnez et déconnectez le câble de la bougie.
2. Retirez les axes à épaulement et leurs fixations (Fig. 11).

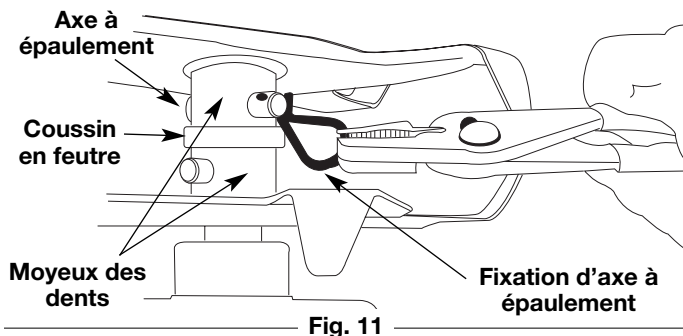


Fig. 11

3. Retirez les dents et les coussins en feutre de l'arbre.
4. Nettoyez et huilez l'arbre.
5. Les dents portent l'inscription " R " (droite) ou " L " (gauche) indiquant leur position de chaque côté de la boîte d'engrenages lorsqu'on fait face au devant de l'appareil.
6. Remplacez les dents et les coussins en feutre sur l'arbre, les moyeux des dents étant face à face.
7. Avant de réinstaller les vis à oeillets et les goupilles beta, assurez-vous que les pointes sur les dents soient bien espacées les unes des autres (Fig. 12).
8. Répétez la même procédure de l'autre côté.

REMARQUE : Lorsque les dents sont bien installées, les lettres " R " et " L " apparaissent de chaque côté de la boîte d'engrenages et les extrémités des dents sont alignées dans le même sens. Il est important d'installer correctement les dents.

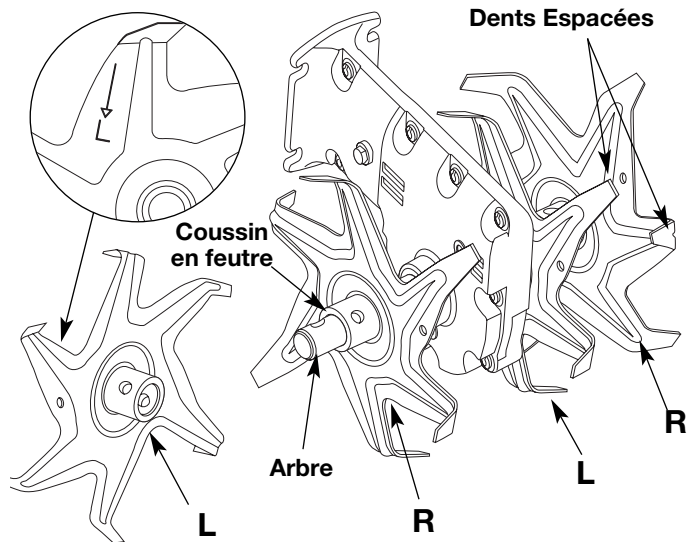


Fig. 12

VÉRIFICATION DU NIVEAU D'HUILE



MISE EN GARDE : Pour éviter de trop user le moteur ou endommager l'appareil, maintenez toujours l'huile du carter à un bon niveau. N'utilisez jamais l'appareil si le niveau est en dessous du bas de la jauge.

Nous ne saurions trop insister sur l'importance de la vérification du niveau d'huile du carter moteur et de son maintien. Vérifiez l'huile avant chaque utilisation :

1. Arrêtez le moteur et laissez l'huile s'écouler dans le carter moteur.
2. Placez l'appareil sur une surface plane pour que le cultivateur soit en position horizontale afin de relever correctement le niveau d'huile.
3. Empêchez l'accumulation de saleté, de résidus de coupe, etc. dans le moteur. Nettoyez la zone autour du bouchon / jauge d'huile avant de le retirer.
4. Retirez le bouchon / jauge d'huile et essuyez toute trace d'huile. Replacez-le en l'enfonçant bien.
5. Retirez le bouchon de remplissage / jauge d'huile et vérifiez le niveau d'huile. L'huile devrait atteindre le haut de la jauge (Fig. 15).

6. Si le niveau est trop bas, ajoutez un peu d'huile par l'orifice et revérifiez (Fig. 16). Continuez jusqu'à ce que le niveau d'huile atteigne le haut de la jauge.

REMARQUE: Ne remplissez pas trop l'appareil.

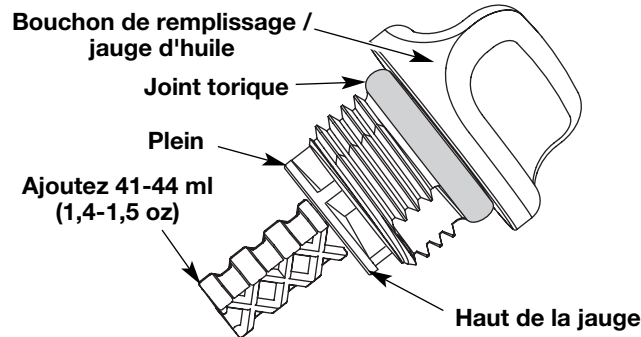


Fig. 15

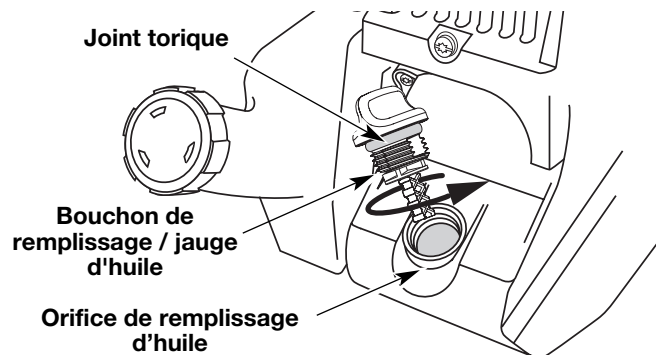


Fig. 16

REMARQUE: Assurez-vous que le joint torique est mis sur le bouchon de remplissage / jauge d'huile au moment de la vérification et du changement d'huile (Fig. 16).

CHANGEMENT D'HUILE

Si le moteur est neuf, changez l'huile après les 10 premières heures d'utilisation. Mieux vaut changer l'huile lorsque le moteur est encore chaud. Cela lui permet de s'écouler librement et d'emporter les impuretés.

MISE EN GARDE : Portez toujours des gants pour éviter tout risque de blessures lorsque vous manipulez l'appareil

1. Débranchez le couvre-borne de bougie pour empêcher le démarrage.
2. Pliez les poignées pour faciliter la manipulation de l'appareil.
3. Retirez le bouchon de remplissage / jauge d'huile.
4. Versez l'huile de l'orifice de remplissage dans un récipient en inclinant l'appareil à la verticale (Fig. 17). Allouez assez de temps pour une vidange complète.

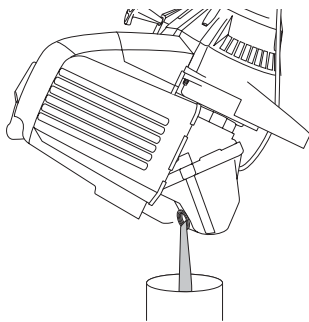


Fig. 17

5. Essuyez les résidus d'huile et nettoyez toute trace d'huile déversée. Éliminez l'huile selon les Règlements fédéral, provincial et municipal en vigueur.

6. Remplissez de nouveau le carter moteur de 100 ml (3,4 oz) d'huile SAE 30 SF, SG, SH.

REMARQUE : Mesurez la quantité nécessaire à l'aide de la bouteille et de la buse utilisées lors de la mise en service. 90 ml (3,04 oz) correspond environ au haut de l'étiquette de la bouteille (Fig. 19). Vérifiez le niveau d'huile avec la jauge. S'il est trop bas, ajoutez un peu d'huile par l'orifice et revérifiez (Fig. 18). Ne remplissez pas trop.

7. Remplacez le bouchon de remplissage / jauge d'huile.
8. Rebranchez le couvre-borne de bougie. Remplacez les poignées en position de fonctionnement.

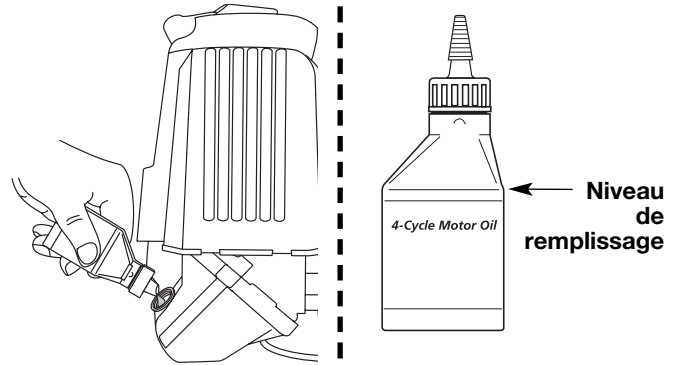


Fig. 18

ENTRETIEN DU FILTRE À AIR

Nettoyage du filtre à air

Nettoyez et relubrifiez le filtre à air à toutes les 10 heures de fonctionnement. Son entretien est très important. Si vous ne le faites pas, cela **ANNULERA** la garantie.

AVERTISSEMENT : Pour éviter des blessures graves, éteignez toujours l'appareil et laissez-le refroidir avant tout nettoyage ou entretien.

1. Ouvrez le couvercle du filtre à air. Enfoncez la languette située à gauche du couvercle, tirez celui-ci vers vous pour le dégager du boîtier du filtre à air (Fig. 20).
2. Retirez le filtre à air et l'écran derrière lui (Fig. 19).

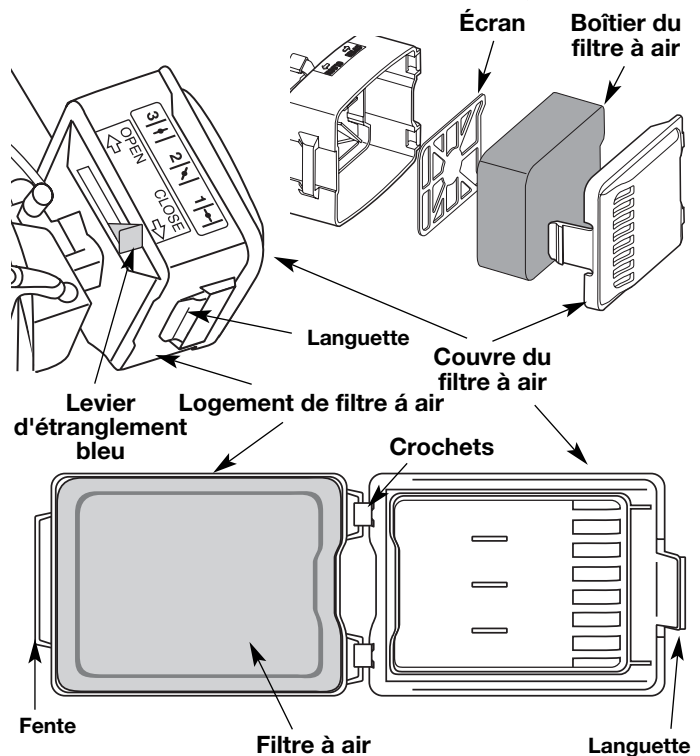


Fig. 19

- Lavez le filtre dans un mélange d'eau et de détergent (Fig. 20). Rincez le filtre abondamment et laissez-le sécher.

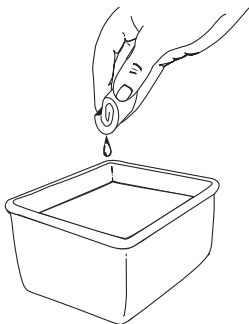


Fig. 20

- Appliquez une quantité suffisante d'huile moteur propre SAE 30 pour enduire légèrement le filtre (Fig. 21).

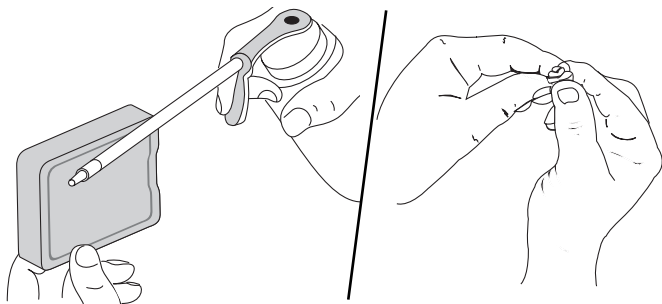


Fig. 21

- Pressez le filtre pour répartir et drainer l'excédent d'huile (Fig. 21).
 - Remplacez le filtre et l'écran (Fig. 19).
- NOTE :** Si vous faites fonctionner l'appareil sans filtre à air, vous **ANNULEREZ** la garantie.
- Réplacez le couvercle du filtre à air. Placez les crochets à gauche du filtre à air dans les fentes situées à gauche du boîtier du filtre à air.
 - Pivotez le couvercle vers la droite jusqu'à ce que la languette du couvercle du filtre s'enfonce d'un déclic dans la fente sur le côté droit du boîtier du filtre (Fig. 20).

RÉGLAGE DU CARBURATEUR

La vitesse de ralenti du moteur est réglable à l'aide d'une vis de réglage accessible par un trou situé sur le dessus du couvercle du moteur (Fig. 22).

REMARQUE : Un réglage négligé peut sérieusement endommager l'appareil. Confiez les réglages de carburateur à un concessionnaire agréé.

Vérification du carburant

En général, si l'appareil ne fonctionne pas correctement, c'est que le carburant est vieux. Videz puis remplissez le réservoir de carburant sans plomb frais et propre avant d'effectuer des réglages. Voir *Informations sur l'huile et le carburant*.

Nettoyage du filtre à air

L'état du filtre à air est très important pour le fonctionnement de l'appareil. Un filtre à air sale restreint le débit d'air et affecte le mélange de carburant/air. On confond souvent cela avec un mauvais réglage du carburateur. Vérifiez l'état du filtre à air avant de régler la vis de réglage de ralenti. Voir *Entretien du filtre à air*.

Réglage de la vis de réglage de ralenti



AVERTISSEMENT : L'appareil fonctionnera pendant le réglage de la vitesse de ralenti. Portez des vêtements protecteurs et respectez toutes les consignes de sécurité pour éviter des blessures graves.

Si le moteur ne se met toujours pas au ralenti après vérification du carburant et nettoyage du filtre à air, réglez la vis de ralenti comme suit :

- Démarrez le moteur et laissez-le tourner à haut régime pendant une minute pour se réchauffer.
- NOTE :** Assurez-vous que les dents ne touchent aucun objet lors du réglage du ralenti.
- Relâchez le levier d'accélérateur et laissez le moteur au ralenti. Si le moteur s'arrête, insérez un petit tournevis à embout cruciforme ou à tête plate dans le trou du couvercle du moteur (Fig. 22). Vissez la vis de réglage du ralenti de 1/8 de tour à la fois (selon le besoin) jusqu'à ce que le moteur tourne au ralenti.

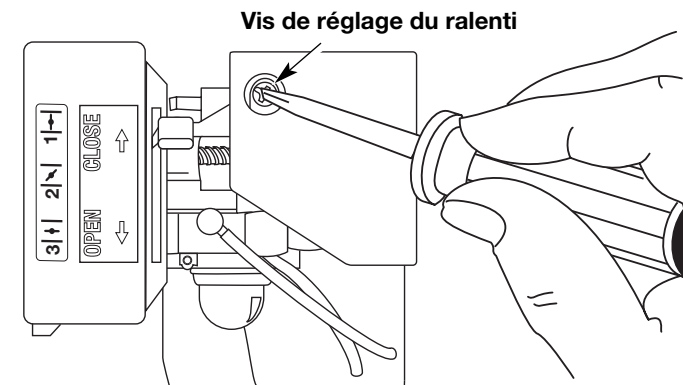


Fig. 22

NOTE : Les dents ne doivent pas tourner lorsque le moteur est au ralenti.

- Si les dents tournent lorsque le moteur est au ralenti, dévissez la vis de ralenti de 1/8 de tour à la fois (selon le besoin) pour réduire la vitesse de ralenti.

La vérification de carburant, le nettoyage du filtre à air et le réglage de la vis de ralenti devraient résoudre la plupart des problèmes de moteur. Dans le cas contraire et si :

- le moteur ne se met pas au ralenti
- le moteur hésite ou cale lors d'une accélération
- le moteur perd de sa puissance

Faites régler le carburateur par un distributeur agréé.

JEU ENTRE SOUPA ET CULBUREUR

Ceci nécessite de démonter le moteur. Si vous ne vous sentez pas à l'aise de le faire, confiez l'appareil à un centre de service agréé.

REMARQUE : Inspectez le jeu entre soupape et culbuteur à l'aide d'une jauge d'épaisseur après les 10 premières heures de fonctionnement, puis par intervalle de 25 heures par la suite.

- Attendez que le moteur soit froid avant de vérifier ou de régler le jeu de la soupape.
 - Faites-le à l'intérieur, dans un endroit propre et sans poussière.
- Enlevez les deux vis (2) du haut du couvercle du moteur à l'aide d'un tournevis à lame plate ou T-25 Torx (Fig. 23).
 - Enlevez la vis derrière le couvercle du moteur (Fig. 24).
 - Déconnectez le câble de la bougie.
 - Nettoyez toute saleté de la bougie. Retirez la bougie de la culasse en tournant la douille de 5/8 po à gauche.
 - Déposez le couvercle du moteur.
 - Nettoyez toute saleté autour du cache-culbuteur. Retirez la vis retenant le cache-culbuteur à l'aide d'un tournevis à lame plate large ou à mèche no. T-25 Torx (Fig. 25). Enlevez le cache-culbuteur et le joint.

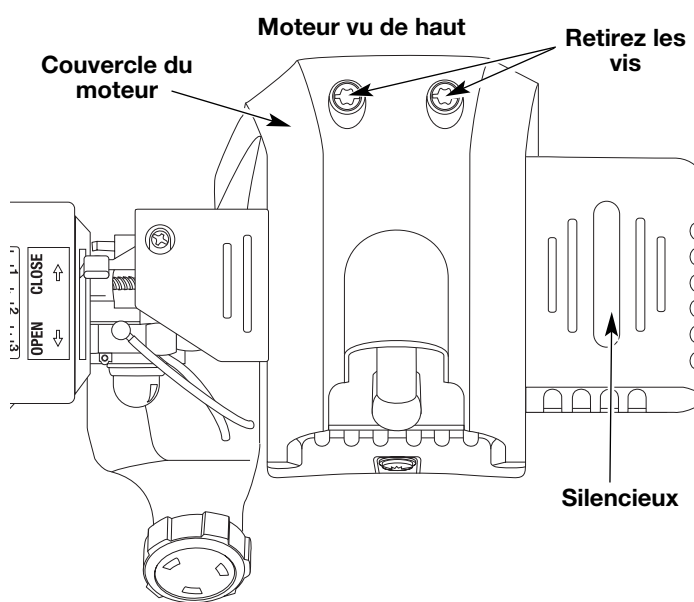


Fig. 23

8. Glissez la jauge d'épaisseur entre le culbuteur et le ressort de rappel de la soupape. Mesurez le jeu entre la tige de soupape et le culbuteur (Fig. 26 & 27). Faites-le pour les soupapes d'admission et d'échappement.

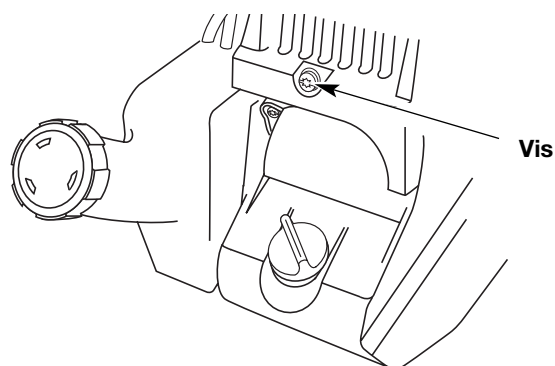


Fig. 24

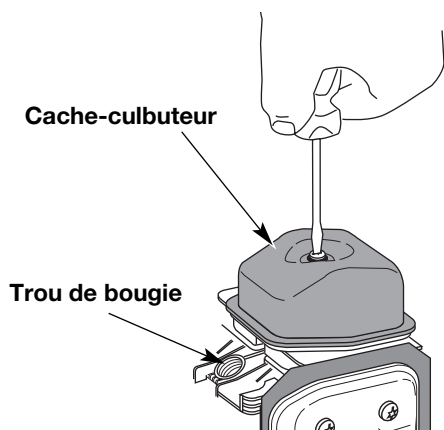


Fig. 25

7. Tirez lentement sur la corde de démarrage pour ramener le piston au sommet de sa course dit « point mort haut ». Vérifiez que :
- Le piston est au sommet de sa course lorsqu'on regarde par le trou de la bougie (Fig. 25)
 - Les deux culbuteurs se déplacent librement et les deux soupapes sont fermées

Si ce n'est pas le cas, répétez la procédure.

REPLACEMENT DE LA BOUGIE

Utilisez une bougie 791-180852B. L'écartement correct est de 0,635 mm (0,025 po). Retirez la bougie après 25 heures de fonctionnement et vérifiez son état.

1. Arrêtez le moteur et laissez-le refroidir. Saisissez fermement le câble de la bougie et retirez le capuchon de celle-ci.
2. Nettoyez toute saleté de la bougie. Retirez la bougie de la culasse en tournant la douille de 5/8 po à gauche.



MISE EN GARDE : évitez de sabler, gratter ou nettoyer les électrodes car de la saleté dans le moteur pourrait endommager le cylindre.

3. Remplacez toute bougie fendillée, encrassée ou sale. Réglez l'écartement à 0,635 mm (0,025 po) à l'aide d'une jauge d'épaisseur (Fig. 28).
4. Installez la bougie ajustée dans la culasse. Tournez la douille de 5/8 po à droite jusqu'à bien la visser.

Si vous utilisez une clé dynamométrique, vissez selon les valeurs suivantes :

12,3-13,5 Nom (110-120 poolb).

Évitez de trop serrer.

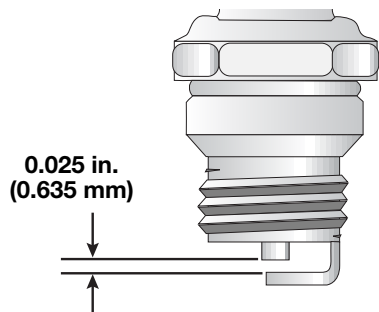


Fig. 28

ENTRETIEN DU PARE-ÉTINCELLES

1. Retirez le couvercle du silencieux. Voir *Jeu entre soupape et culbuteur*.
2. Retirez la vis retenant le couvercle du pare-étincelles au silencieux à l'aide d'un tournevis à lame plate ou à mèche no. T-20 Torx (Fig. 29).

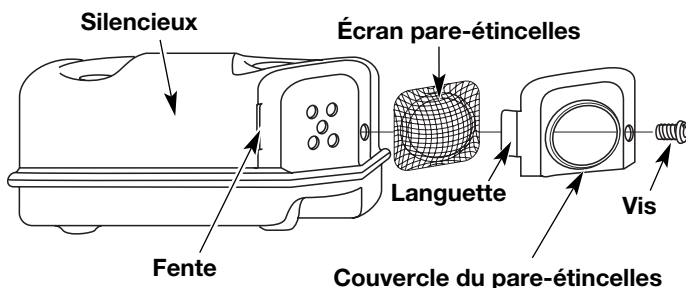


Fig. 29

3. Retirez la languette du couvercle du pare-étincelles hors du silencieux. Retirez le couvercle du pare-étincelles.
4. Retirez l'écran du pare-étincelles du couvercle de celui-ci.
5. Nettoyez l'écran du pare-étincelles avec une brosse métallique ou remplacez-le.
6. Remplacez l'écran, le couvercle et la vis du pare-étincelles.

NETTOYAGE DE L'APPAREIL



AVERTISSEMENT : pour éviter des blessures graves, éteignez toujours la désherbeuse et laissez-la refroidir avant tout nettoyage ou entretien.

- Nettoyez les événements ou l'extérieur de l'appareil avec une petite brosse.
- N'employez pas de détergents concentrés ou de nettoyants à base de pétrole tel le kérosène. Certains nettoyants ménagers contenant des huiles aromatiques tel que le pin et le citron peuvent endommager les boîtiers ou poignées en plastique. Essuyez toute trace d'humidité à l'aide d'un tissu doux.

ENTREPOSAGE

- Ne rangez jamais l'appareil plein de carburant dans un lieu où les vapeurs peuvent atteindre une flamme vive ou des étincelles.
- Laissez le moteur se refroidir avant de l'entreposer.
- Rangez l'appareil dans un lieu verrouillé pour éviter toute utilisation ou accident indésirable.
- Rangez l'appareil dans un lieu sec et bien aéré.
- Rangez l'appareil hors de la portée des enfants.

ENTREPOSAGE DE LONGUE DURÉE

Si vous comptez entreposer l'appareil pendant une longue période,

1. Videz toute l'essence du réservoir dans un récipient. N'utilisez pas d'essence stockée pendant plus de 60 jours. Éliminez le vieux carburant conformément aux règlements fédéral, provincial et municipal en vigueur.
2. Démarrez le moteur, puis laissez-le tourner jusqu'à ce qu'il cale. Cela permet de s'assurer que le carburateur s'est vidé de son carburant.
3. Laissez le moteur refroidir. Retirez la bougie et versez environ 30 ml (1 oz) d'huile moteur de qualité dans le cylindre. Tirez lentement sur la corde de démarrage pour bien distribuer l'huile. Remplacez la bougie.

REMARQUE: Retirez la bougie et videz toute l'huile du cylindre avant de mettre en marche la désherbeuse après une période d'entreposage.

4. Changez l'huile. Voir *Changement d'huile*. Éliminez la vieille huile conformément aux règlements fédéral, provincial et municipal en vigueur.
5. Nettoyez soigneusement l'appareil et vérifiez qu'il ne comporte pas de pièces desserrées ou endommagées. Réparez ou remplacez les pièces endommagées, puis serrez les vis, écrous et boulons desserrés. L'appareil est alors prêt pour l'entreposage.
6. Pour prendre moins de place de stockage, desserrez les boutons du guidon et pliez celui-ci. L'appareil est alors prêt pour l'entreposage.

TRANSPORT

- Laissez le moteur refroidir avant le transport.
- Attachez bien l'appareil lors du transport.
- Videz tout le carburant du réservoir avant le transport.
- Serrez le bouchon du réservoir avant le transport.

DÉPANNAGE

LE MOTEUR REFUSE DE DÉMARRER

CAUSE

Réservoir de carburant vide
La poire d'amorçage n'a pas été pressée assez fort
Carburant vieux
Bougie encrassée
Pare-étincelles colmaté

Le levier de démarrage à froid est en position FERME lorsque la température dehors dépasse 4°C (40°F)
Le levier de démarrage à froid est en position OUVERT lorsque la température est sous 4°C (40°F)

SOLUTION

Remplissez-le de carburant frais
Pressez-la complètement et lentement de 10 fois
Drainez le réservoir/ajoutez du carburant frais
Remplacez ou nettoyez-la
Nettoyez ou remplacez le pare-étincelles

Remettez le levier de démarrage à froid en position OUVERT
Remettez le levier de démarrage à froid en position FERME et voir les *Instructions de démarrage*

LE MOTEUR REFUSE DE SE METTRE AU RALENTI

CAUSE

Filtre à air bouché
Carburant vieux ou mal mélangé
Mauvais réglage du carburateur

SOLUTION

Remplacez ou nettoyez-le
Drainez le réservoir/ajoutez du carburant frais
Ajustez selon l'instruction

LE MOTEUR REFUSE D'ACCÉLÉRER

CAUSE

Carburant vieux ou mal mélangé
Mauvais réglage du carburateur
Filtre à air sale
Pare-étincelles colmaté

SOLUTION

Drainez le réservoir/ajoutez du carburant frais
Faites-le régler par un concessionnaire agréé
Remplacez ou nettoyez-le
Nettoyez ou remplacez le pare-étincelles

LE MOTEUR MANQUE DE PUISSANCE OU SE CALE DURANT LA COUPE

CAUSE

Carburant vieux ou mal mélangé
Mauvais réglage du carburateur
Bougie encrassée
Pare-étincelles colmaté

SOLUTION

Drainez le réservoir/ajoutez du carburant frais
Faites-le régler par un concessionnaire agréé
Remplacez ou nettoyez-la
Nettoyez ou remplacez le pare-étincelles

CARACTÉRISTIQUES

MOTEUR*

Type de moteur	Refroidi par air, 4-temps
Cylindrée	26,2 cc (1,6 po ³)
Type d'embrayage.....	Centrifuge
Régime ralenti.....	3.200-3.600 tr/min
Régime de fonctionnement	7.200-8.800 tr/min
Type d'allumage.....	Électronique
Contact d'allumage	Interrupteur berceau
Jeu de soupape d'admission	0,076-0,152 mm (0,003-0,006 po)
Jeu de soupape d'échappement	0,330-0,406 mm (0,013-0,016 po)
Écartement de la bougie	0,635 mm (0,025 po)
Lubrification.....	Huile SAE 30
Contenance en huile du carter moteur	100 ml (3,4 oz)
Carburateur	Membrane, toutes positions
Démarrreur	Rembobinage automatique
Silencieux	Chicane avec protection
Accélérateur.....	Rappel par ressort
Capacité du réservoir de carburant	444 ml (15 oz)

CULTIVATEUR*

Largeur du chemin de culture (maximum).....	22,86 cm (9 po)
Profondeur de culture (maximum).....	15,24 cm (6 po)
Poids (sans carburant).....	11,5 kg (25 lb)

* Toutes les spécifications contenues dans ce manuel tiennent compte des dernières informations techniques disponibles au moment de mettre sous presse. Nous nous réservons le droit d'y apporter des modifications à tout moment, sans préavis.

Garantie de la California et de l'Agence de Protection de l'Environnement Concernant les normes antipollution Vos droits et obligations en vertu de cette garantie

Le California Air Resource Board, l'Agence de Protection de l'Environnement et MTD LLC (MTD) ont le plaisir de vous informer au sujet de la garantie sur le dispositif antipollution des petits moteurs à usage tout-terrain datant de l'année 2000 et au-delà. En California et dans les 49 autres états, les nouveaux petits moteurs à usage tout-terrain doivent être conçus, construits et équipés pour être conformes aux strictes normes anti-smog de l'état. MTD doit garantir le système de contrôle des émissions de votre petit moteur à usage tout-terrain pendant les périodes de temps indiquées ci-dessous à condition que le moteur n'ait pas souffert d'abus, de négligence ou fait l'objet d'un mauvais entretien.

Votre dispositif antipollution peut inclure des pièces diverses telles que le carburateur ou un système d'injection, le dispositif d'allumage et un convertisseur catalytique. Il pourrait aussi inclure des tuyaux, courroies, connecteurs et autres ensembles de pièces relatives aux émissions.

Advenant une situation couverte par la garantie, MTD réparera votre petit moteur à usage tout-terrain sans frais aucun y compris le diagnostic, les pièces et la main d'œuvre.

Les moteurs à usage tout-terrain datant de l'année 2000 et plus sont garantis pendant deux ans. Si une pièce de votre moteur relative aux émissions devenait défectueuse, MTD la réparera ou la remplacera.

Responsabilités du propriétaire en vertu de cette garantie

- En tant que propriétaire d'un petit moteur à usage tout-terrain, vous êtes responsable des entretiens requis indiqués dans votre manuel de l'utilisateur. MTD vous recommande de conserver tous les reçus d'entretien de votre petit moteur à usage tout-terrain. MTD ne peut toutefois refuser votre garantie juste parce que vous n'avez pas les reçus ou que vous n'avez pas veillé à ce que les travaux d'entretien prévus soient effectués.
- En tant que propriétaire d'un petit moteur à usage tout-terrain, sachez toutefois que MTD peut refuser de vous couvrir sous garantie si votre moteur ou si une pièce sont défectueux pour cause d'abus, de négligence, d'entretien incorrect ou de modifications non autorisées.
- Il vous incombe de présenter votre petit moteur à usage tout-terrain à un centre de service agréé MTD l'apparition d'un problème. Les réparations sous garantie doivent être achevées dans une durée de temps raisonnable ne dépassant en aucun cas 30 jours.

Si vous avez des questions au sujet de vos droits et responsabilités en vertu de cette garantie, appelez le **1-800-800-7310**.

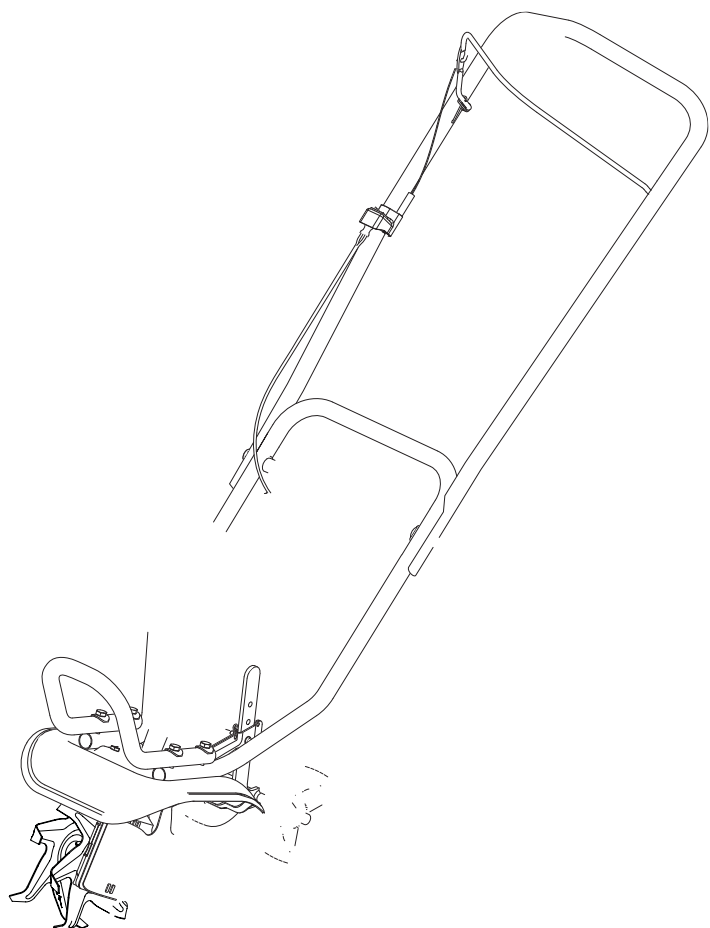
Garantie du fabricant

- La période de garantie commence à la date où le moteur ou l'équipement est livré à l'acheteur au détail.
- Le fabricant garantit pendant une période de deux ans au propriétaire initial et à chaque acheteur subséquent que le moteur est libre de défauts de matériaux et de vices de fabrication pouvant provoquer la défaillance d'une pièce sous garantie.
- Toute réparation ou tout remplacement d'une pièce garantie devra être effectué sans aucun frais pour le propriétaire par un centre de service MTD agréé. Pour connaître le centre le plus proche de vous, veuillez communiquer avec MTD au numéro suivant: **1-800-800-7310**.
- Toute pièce garantie dont le remplacement n'est pas prévu dans le cadre des entretiens requis ou dont seule une inspection normale est prévue selon le principe de "réparation ou remplacement au besoin" est garantie pendant la période de garantie. Toute pièce garantie dont le remplacement est prévu dans le cadre des entretiens requis sera garantie pendant la période de temps allant jusqu'à la date du premier remplacement prévu pour cette pièce.
- Le propriétaire ne subira pas de frais relatifs à un travail de diagnostic ayant conclu que la pièce garantie est défectueuse si le travail de diagnostic a été effectué par un centre de service MTD agréé.
- Le fabricant est responsable de tous les dommages occasionnés aux autres composants du moteur par la défaillance d'une pièce encore sous garantie.
- Les défaillances causées par l'abus, la négligence ou un mauvais entretien ne sont pas couvertes par cette garantie.
- L'utilisation d'un accessoire ou de pièces modifiées peut justifier le refus d'une réclamation au titre de la garantie. Le fabricant n'est pas responsable des défaillances des pièces garanties découlant de l'utilisation d'accessoires ou de pièces modifiées.
- Pour déposer une réclamation, adressez-vous au centre de service MTD agréé le plus proche. Les services ou réparations sous garantie sont offerts par tous les centres de service MTD agréés.
- Toutes les pièces de rechange approuvées par le fabricant peuvent être utilisées dans le cadre d'un entretien ou d'une réparation sous garantie de pièces relatives au dispositif anti-pollution et sont fournies sans frais pour le propriétaire. Toute pièce de rechange équivalente en termes de performances ou de durabilité peut être utilisée dans le cadre d'un entretien ou d'une réparation hors garantie et ne diminue pas les obligations qui incombent au fabricant en vertu de la garantie.
- Les composants suivants sont inclus dans la garantie relative au système antipollution du moteur : filtre à air, carburateur, poire d'amorçage, conduites de carburant, alimentation d'arrivée/filtre à carburant, module d'allumage, bougie et silencieux.

GARANTIE LIMITÉE DU FABRICANT POUR:



Manuel del Dueño/Operador



NORMAS PARA UNA OPERACIÓN SEGURA

• IMPORTANTE INFORMACION DE SEGURIDAD •

LEA TODAS LAS INSTRUCCIONES ANTES DE LA OPERACIÓN

- Lea todas las instrucciones con cuidado. Conozca bien los controles y el uso correcto de la unidad.
- No opere esta unidad si está cansado, enfermo, o bajo los efectos del alcohol, drogas o medicamentos.
- Los niños y los adolescentes menores de 15 años no deben operar las unidades, excepto por los adolescentes guiados por un adulto.
- Inspeccione la unidad antes de utilizarla. Cambie las partes dañadas. Verifique si existen pérdidas de combustible. Asegúrese de que los sujetadores estén bien colocados y asegurados. Cambie las partes que estén quebradas, cascadas o dañadas de cualquier forma. No opere esta unidad con piezas flojas ni dañadas.
- Tenga en cuenta el riesgo de lesiones en la cabeza, manos y pies.
- Aleje a todos los niños, espectadores y animales domésticos. Mantenga a todos los niños, espectadores y animales domésticos a un radio de por lo menos 50 pies (15 m); aún así, puede existir un riesgo de objetos despedidos contra los espectadores. Debe sugerir a los espectadores que usen protección ocular. Si alguien se le acerca, pare la unidad de inmediato.
- Oprima el control del regulador y verifique que regrese automáticamente a la posición de mínima. Haga todos los ajustes o reparaciones antes de usar la unidad.

ADVERTENCIAS DE SEGURIDAD PARA LAS UNIDADES A GASOLINA

- Guarde el combustible en envases que hayan sido diseñados y aprobados para el almacenamiento de dichos materiales.



ADVERTENCIA: La gasolina es muy inflamable y sus gases pueden explotar si se encienden. Tome las siguientes precauciones:

- Antes de llenar el tanque de combustible, apague siempre el motor y espere que se enfríe. No retire nunca la tapa del tanque de combustible ni cargue combustible mientras el motor esté caliente. No opere nunca la unidad sin la tapa del combustible colocada firmemente en su lugar. Afloje la tapa del combustible lentamente para disipar la presión del tanque.
- Evite crear una fuente de encendido por combustible derramado. No arranque el motor hasta que se hayan disipado los vapores del combustible.
- Mezcle y cargue el combustible en un área exterior bien ventilada donde no haya chispas ni llamas. Quite lentamente la tapa del combustible sólo después de apagar el motor. No fume mientras carga o mezcla el combustible. Limpie de inmediato todo el combustible que se haya derramado.
- Aleje la unidad a por lo menos 9,1 m (30 pies) del lugar de carga de combustible antes de arrancar el motor. No fume, mantenga las chispas y las llamas abiertas lejos del área mientras carga el combustible u opera la unidad.

DURANTE LA OPERACIÓN

- No arranque ni opere la unidad en una sala o edificio cerrado. Los gases de escape de monóxido de carbono pueden ser letales en un área cerrada. Opere esta unidad sólo en un área exterior bien ventilada.
- Use lentes o gafas de protección que cumplan con las normas ANSI Z87.1, y protección para sus oídos/audición mientras opere esta unidad. Use siempre una máscara facial o para protegerse contra el polvo si la operación levanta polvo.
- Use pantalones largos y gruesos, guantes y camisa de manga larga. No use pantalones cortos, sandalias ni trabaje descalzo.
- Para reducir el riesgo de lesiones causadas por objetos absorbidos por las partes giratorias, no use ropa holgada, alhajas, pañuelos en el cuello, etc. Recoja su cabello sobre el nivel de sus hombros.
- Use la unidad únicamente con la luz del día o con buena luz artificial.
- Mantenga las superficies externas libres de aceite y combustible.
- Esta unidad cuenta con un embrague. Las púas no se

mueven mientras el motor está en mínima. Si se mueven, haga que un técnico de servicio autorizado ajuste la unidad.

- Verifique que las púas no hagan contacto con ningún objeto antes de arrancar la unidad.
 - Evite arrancar la unidad accidentalmente. Colóquese en posición de inicio siempre que tire de la cuerda de arranque. El operador y la unidad deben estar en una posición estable al comenzar. Lea las *Instrucciones de Arranque y Apagado*.
 - Use la herramienta adecuada. No use esta unidad para ninguna tarea para la cual no ha sido diseñada.
 - No fuerce la unidad. Realizará una mejor tarea y con menor posibilidad de causar lesiones si se usa a la velocidad para la que ha sido diseñada.
 - Tenga mucho cuidado cuando invierta o mueva la unidad hacia usted.
 - No se extienda demasiado, tenga mucho cuidado cuando trabaje en pendientes marcadas o inclinadas. Mantenga siempre una posición y equilibrio adecuados.
 - Sostenga siempre la unidad con ambas manos durante la operación. Mantenga un buen agarre en los mangos del manubrio.
 - Mantenga las manos, la cara y los pies lejos de todas las partes móviles. No toque ni intente detener las púas mientras están girando. No opere la unidad sin las protecciones colocadas en su lugar.
 - No toque el motor, el silenciador ni la caja de engranajes. Estas partes se calientan mucho durante la operación. Permanecen calientes durante un breve período luego de apagar la unidad.
 - No opere el motor a una velocidad mayor que la necesaria para realizar la tarea. No haga funcionar el motor a alta velocidad cuando no lo use.
 - Pare siempre el motor cuando la operación se demore o cuando camine entre zonas de trabajo.
 - Apague el motor para realizar el mantenimiento, reparaciones, para instalar o sacar las púas. La unidad debe estar apagada y las púas deben haberse detenido para evitar lesiones.
 - Con el uso, las púas se afilan demasiado. Use siempre guantes gruesos cuando maneje, retire, instale o limpie las púas.
 - Use sólo piezas y accesorios de repuesto del fabricante del equipo original para esta unidad. Puede obtenerlos en su proveedor de servicio autorizado. El uso de piezas y accesorios que no son fabricante del equipo original puede causar graves lesiones al operador o el daño de su unidad, y la cancelación de su garantía.
 - Mantenga la unidad libre de vegetación y otros materiales. Pueden trabarse entre las púas y la caja de engranajes o la protección.
 - Para reducir el riesgo de incendio, cambie los silenciadores y amortiguadores de chispas defectuosos, mantenga el motor y el silenciador libre de pasto, hojas, grasa excesiva o acumulaciones de carbono.
- #### OTRAS ADVERTENCIAS DE SEGURIDAD
- No guarde nunca la unidad con combustible en el tanque en un edificio donde los gases puedan llegar a una llama abierta o a una chispa.
 - Espere que el motor se enfríe antes de guardar o transportar la unidad. Asegúrese de que la unidad esté segura al transportarla.
 - Guarde la unidad bajo llave en un lugar adecuado y seco para evitar que sea usada por personas no autorizadas y se dañe, fuera del alcance de los niños.
 - Nunca moje ni rocíe la unidad con agua ni con ningún otro líquido. Mantenga las manijas secas, limpias y sin residuos. Limpie la unidad luego de cada uso, lea las instrucciones de *Limpieza y Almacenamiento*.
 - Guarde estas instrucciones. Consúltelas con frecuencia y utilícelas para enseñar a otros usuarios. Si le presta esta unidad a alguien, préstele también estas instrucciones.

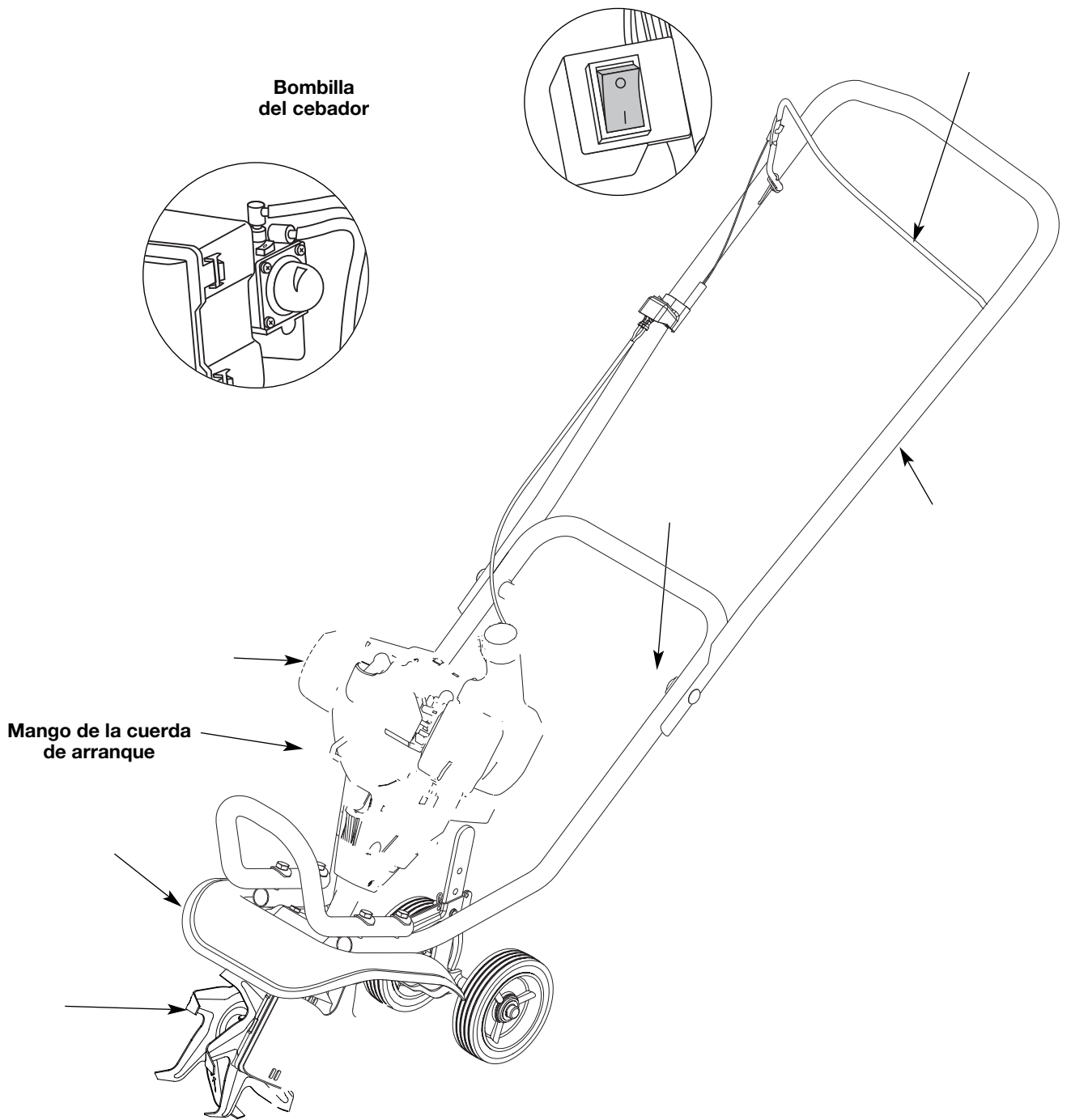
CONSERVE ESTAS INSTRUCCIONES

NORMAS PARA UNA OPERACIÓN SEGURA

SIMBOLOS DE SEGURIDAD E INTERNACIONALES

Este manual del operador describe los símbolos y figuras de seguridad e internacionales que pueden aparecer en este producto. Lea el manual del operador para obtener información completa acerca de la seguridad, ensamble, operación y mantenimiento y reparación.

SIMBOLO	SIGNIFICADO	SIMBOLO	SIGNIFICADO
	<ul style="list-style-type: none"> • SIMBOLO DE ALERTA DE SEGURIDAD Indica peligro, advertencia o precaución. Puede ser utilizado junto con otros símbolos o figuras. 		<ul style="list-style-type: none"> • CONTROL DE ENCENDIDO Y APAGADO ENCENDIDO /ARRANQUE /MARCHA
	<ul style="list-style-type: none"> • ADVERTENCIA - LEA EL MANUAL DEL OPERADOR Lea el manual del operador y siga todas las advertencias e instrucciones de seguridad. De no hacerlo, el operador y/o los espectadores pueden sufrir graves lesiones. 		<ul style="list-style-type: none"> • CONTROL DE ENCENDIDO Y APAGADO APAGADO o PARADO
	<ul style="list-style-type: none"> • USE PROTECCION OCULAR Y AUDITIVA ADVERTENCIA : Los objetos arrojados por la unidad y el ruido fuerte pueden causar graves lesiones oculares y pérdida auditiva. Utilice protección ocular que cumpla con las normas ANSI Z87.1 y protección auditiva cuando opere esta unidad. Use una careta completa cuando la necesite. 		<ul style="list-style-type: none"> • ADVERTENCIA DE CALIENTE No toque un silenciador ni un cilindro caliente. Puede quemarse. Estas partes se calientan mucho con el uso. Luego de apagarse permanecen calientes durante un corto tiempo.
	<ul style="list-style-type: none"> • COMBUSTIBLE SIN PLOMO Use siempre combustible limpio, nuevo y sin plomo. 		<ul style="list-style-type: none"> • LOS OBJETOS DESPEDIDOS Y LA CUCHILLA ROTATIVA PUEDEN CAUSAR GRAVES LESIONES ADVERTENCIA: No opere esta unidad si la protección plástica de línea no está colocada en su lugar. Manténgase alejado del accesorio de corte giratorio.
	<ul style="list-style-type: none"> • INDICADOR DE ACEITE Consulte el manual del operador para obtener información acerca del tipo correcto de aceite. 		<ul style="list-style-type: none"> • CULTIVADORES PARA JARDINES – LAS PUAS GIRATORIAS PUEDEN CAUSAR GRAVES LESIONES AVERTISSEMENT : Arrêtez le moteur et laissez les dents s'arrêter avant d'en installer ou en retirer, ou d'entreprendre un nettoyage ou entretien. Gardez les mains et les pieds éloignés des dents en rotation.
	<ul style="list-style-type: none"> • MANTENGA ALEJADOS A LOS ESPECTADORES ADVERTENCIA: Mantenga a todos los espectadores, en especial a niños y animales domésticos a por lo menos 50 pies (15 m) del área de corte. 		<ul style="list-style-type: none"> • CONTROL DE OBTURADOR 1 • Posición de OBTURACION COMPLETA 2 • Posición de OBTURACION PARCIAL 3 • Posición de MARCHA



NOTA: Esta unidad se envía sin carga de aceite. A fin de evitar el daño de la unidad, cargue aceite en el cárter del cigüeñal antes de intentar arrancar la unidad.

NOTA: Desde la posición de funcionamiento, se observa la referencia a la derecha o a la izquierda de la cultivadora / bordeadora.

AJUSTE DE LA PROFUNDIDAD

Para ajustar la ménsula de soporte de la rueda proceda de la siguiente manera:

1. Detenga el motor y desconecte la bujía para evitar un arranque accidental.
2. Extraiga la chaveta de retén de la chaveta de horquilla y deslice la chaveta hasta extraerla de la ménsula de la pieza posterior (Fig. 3).
3. Deslice la ménsula de soporte de la rueda hacia arriba o hacia abajo en la pieza posterior, alineando los orificios a la altura deseada.
4. Ubique la chaveta de la horquilla a través del orificio y asegúrelo con una chaveta de retén.

Fig. 7

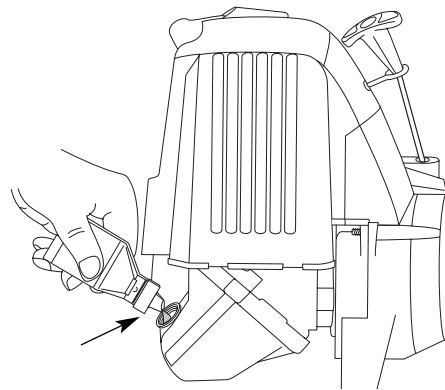
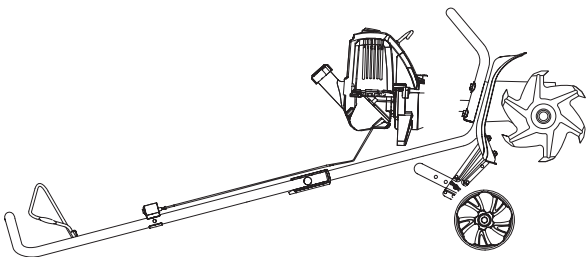


Fig. 8



TIPO DE COMBUSTIBLE RECOMENDADO



El combustible viejo es la causa principal del mal funcionamiento de la unidad. Asegúrese de usar combustible nuevo, limpio y sin plomo.

NOTA: Este es un motor de cuatro ciclos. Para evitar dañar su unidad, **no mezcle el aceite con la gasolina.**

Definición de los combustibles de mezcla

Los combustibles actuales con frecuencia son una mezcla de gasolina y uno o más oxigenantes como el etano, el metanol o el MTBE (éter). El combustible con mezcla de alcohol absorbe agua. Un porcentaje de agua tan pequeño como el 1% en el combustible puede hacer que el combustible y el aceite se separen. Se forman ácidos mientras está guardado. Cuando use combustible con mezcla de alcohol, use combustible nuevo (almacenado durante menos de 60 días).

Uso de los combustibles de mezcla

Si decide usar un combustible de mezcla o si su uso es inevitable, le recomendamos que tome las siguientes precauciones:

- Use siempre una mezcla fresca de combustible según lo indica su manual del operador
- Use Sta-Bil® o su equivalente
- Drene el tanque y haga funcionar el motor en seco antes de guardar la unidad

Uso de aditivos en el combustible

El uso de aditivos en el combustible, como Sta-Bil® o similar, inhibirá la corrosión y reducirá la formación de depósitos de goma. El uso de aditivos puede evitar que se formen depósitos dañinos en el carburador por hasta ocho (8) meses. Agregue 23 ml (0,8 de onza) de aditivo por galón de combustible de acuerdo a las instrucciones del envase. No agregue NUNCA los aditivos directamente al tanque de combustible de la unidad.

CARGA DE COMBUSTIBLE EN LA UNIDAD

1. Saque la tapa de la gasolina.

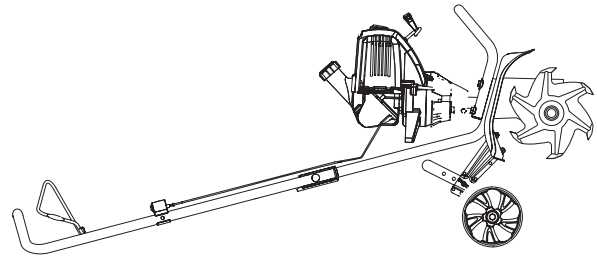
NOTA: Llene o añada combustible al tanque únicamente cuando el cultivador esté en posición horizontal (Fig. 9).

2. Coloque el pico del recipiente de gasolina en el orificio de llenado del tanque de gasolina y llene el tanque.

NOTA: No llene el tanque demasiado.

3. Limpie toda la gasolina que pueda haberse derramado
4. Vuelva a instalar la tapa de la gasolina.
5. Mueva la unidad por lo menos 9,1 m (30 pies) de la fuente y sitio de carga antes de arrancar el motor.

NOTA: Elimine la gasolina vieja de acuerdo a los reglamentos federales, estatales y locales.





ADVERTENCIA: Use esta unidad sólo en un área exterior bien ventilada. Los gases de escape de monóxido de carbono pueden ser letales en un área cerrada.

INSTRUCCIONES DE ARRANQUE

1. Verifique el nivel de aceite en el cárter del cigüeñal. Lea *Inspección del Nivel de Aceite*.
2. Llene el tanque de combustible con gasolina nueva, limpia y sin plomo.
3. Coloque el control de encendido y apagado en posición de ENCENDIDO (I) (Fig. 10).
4. Coloque la palanca del obturador en **Posición 1**.
5. Oprima completamente el cebador y suéltelo 10 veces. Hágalo lentamente. Se deberá ver un poco de **combustible en el cebador** y en las tuberías de alimentación de combustible (Fig. 11). Si no puede ver el combustible en el cebador, oprímalo y suéltelo tantas veces como sea necesario hasta que vea combustible en el mismo.
6. Sostenga el regulador y la agarradera con una mano y agarre el cordón de arranque con la otra mano. Use el pie para aguantar el cultivador (Fig. 12).
NOTA: Inclina la unidad ligeramente hacia atrás para levantar las púas del suelo al arrancar.
7. Mientras oprime el control del regulador, tome el mango de la cuerda de arranque y tire de la cuerda de arranque con un **movimiento controlado y uniforme** hasta 5 veces.
NOTA: La unidad usa Spring Assist Starting™, lo cual reduce considerablemente el esfuerzo requerido para arrancar el motor. Debe halar la cuerda de arranque lo suficiente para oír que el motor trata de arrancar. No es necesario halar la cuerda con energía: no hay fuerte resistencia al halar. Tenga en cuenta que este método de arranque es muy diferente (y mucho más fácil) del que usted pudiera estar acostumbrado a usar.
8. Coloque la palanca del obturador en **Posición 2**.
9. Mientras oprime el control del regulador, tire de la cuerda de arranque con un **movimiento controlado y uniforme** para arrancar el motor.
10. Déjelo funcionar de 15 a 30 segundos.
11. Coloque la palanca del obturador en **Posición 3**. Suelte el control del regulador a la posición de mínima y comience la operación.

SI... El motor no arranca, regrese al pasos 4-11.

SI... El motor no arranca después de varios intentos, coloque la palanca del obturador en la **Posición 3** y oprima el control del regulador. Tire de la cuerda de arranque con un **movimiento controlado y uniforme** hasta 3 a 8 veces. El motor deberá arrancar. Si no sucede así, repita el procedimiento.

SI SE CALIENTA... El motor ya está caliente, arranque la unidad con la palanca del obturador en la **Posición 2**. Después de que la unidad arranque, mueva la palanca del obturador a la **Posición 3**.

INSTRUCCIONES DE APAGADO

1. Saque la mano del control del regulador. Deje enfriar el motor en mínima.
2. Coloque el control de Encendido/Apagado (On/Off) en posición de **APAGADO (O)**.

INSTRUCCIONES DE OPERACIÓN

CONSEJOS PARA LA OPERACIÓN



AVERTISSEMENT : Vista en forma adecuada para reducir el riesgo de lesiones cuando opere esta unidad. No use ropa holgada ni alhajas. Use protección ocular y auditiva. Use pantalones largos y gruesos, botas y guantes. No use pantalones cortos, sandalias ni trabaje descalzo.

1. Mueva el cultivador al área de trabajo antes de arrancar el motor. Puede transportar el cultivador empujándolo sobre las ruedas o llevándolo del tubo central de la manija.



ADVERTENCIA: Para evitar graves lesiones personales, nunca levante ni transporte la unidad con el motor en marcha.

2. Arranque la unidad siguiendo las instrucciones de arranque.
3. Con el motor en marcha y las púas sin tocar el suelo, oprima el control del regulador para aumentar la velocidad del motor.
4. Mientras que sostiene la manija superior con ambas manos, baje lentamente el cultivador hasta que las púas hacen contacto con el suelo (Fig. 13).
5. A medida que comienza el cultivo, incline el cultivador ligeramente usando los manubrios de modo que las púas puedan penetrar en la tierra.
6. Una vez que se ha abierto la tierra, continúe a un ritmo moderado hasta que conozca bien los controles y el manejo del cultivador.
7. Si las púas están cavando con una profundidad excesiva o insuficiente, ajuste el soporte de la rueda de acuerdo a la sección de *Ajuste de la Profundidad de las Púas*.



ADVERTENCIA: Para evitar graves lesiones personales, tenga mucho cuidado cuando invierta o gire la unidad hacia usted.



Fig. 13

Transporte de la Unidad



ADVERTENCIA: Para evitar graves lesiones personales, apague siempre el motor cuando demore la operación o mientras transporta la unidad entre áreas de trabajo.

1. Apague el motor.
2. Incline la unidad hacia atrás hasta que las púas desmalezan la tierra.
3. Empuje o lleve la unidad hasta el próximo lugar que deba cultivar.


INSTRUCCIONES DE MANTENIMIENTO Y REPARACIÓN

PROGRAMA DE MANTENIMIENTO

Estos procedimientos requeridos para el mantenimiento deben ser realizados con la frecuencia indicada en la tabla. Deben ser incluidos como parte de toda puesta a punto de cada temporada.

NOTA: Algunos procedimientos de mantenimiento pueden requerir el uso de herramientas o habilidades especiales. Si no está seguro acerca de estos procedimientos, lleve su unidad a un establecimiento de reparación, persona o distribuidor de servicio autorizado que arregle motores para uso fuera de la carretera.


NOTA: El mantenimiento, la sustitución o arreglo de dispositivos para el control de emisiones y sistemas pueden ser hechos por cualquier establecimiento de reparación, persona o proveedor de servicio autorizado que arregle motores para uso fuera de la carretera.

	<p>ADVERTENCIA: Para evitar lesiones personales graves, nunca realice mantenimiento ni reparaciones con la unidad funcionando. Realice siempre el mantenimiento y las reparaciones con la unidad fría. Desconecte el cable de la bujía de encendido para cerciorarse de que la unidad no arrancará.</p>
---	--

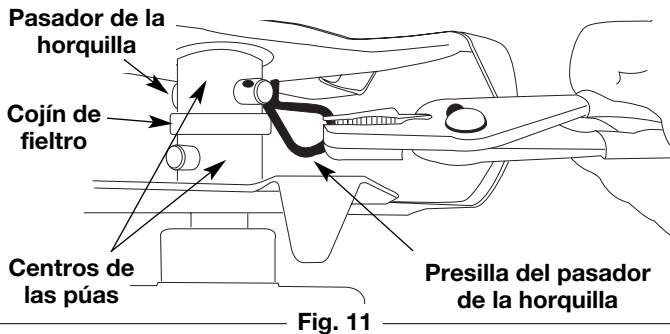
FRECUENCIA	MANTENIMIENTO REQUERIDO	CONSULTE
Antes de arrancar el motor	Llene el tanque de combustible con combustible nuevo Inspeccione el aceite	Página E7 Página E10
Cada 10 horas	Limpie y vuelva a aceitar el filtro de aire	Página E11
Primer cambio a las 10 horas Segundo cambio a las 25 horas Cada 25 horas en lo sucesivo	Cambie el aceite Cambie el aceite Limpie el amortiguador de chispas	Página E11 Página E11 Página E14
Cada 25 horas	Verifique la condición y separación de la bujía de encendido	Página E14

REMOCION Y REPOSICION DE LAS PUAS

Las 4 púas deben cambiarse al mismo tiempo debido a que se desgastarán en forma pareja con el uso normal. Trabaje en un lado por vez.

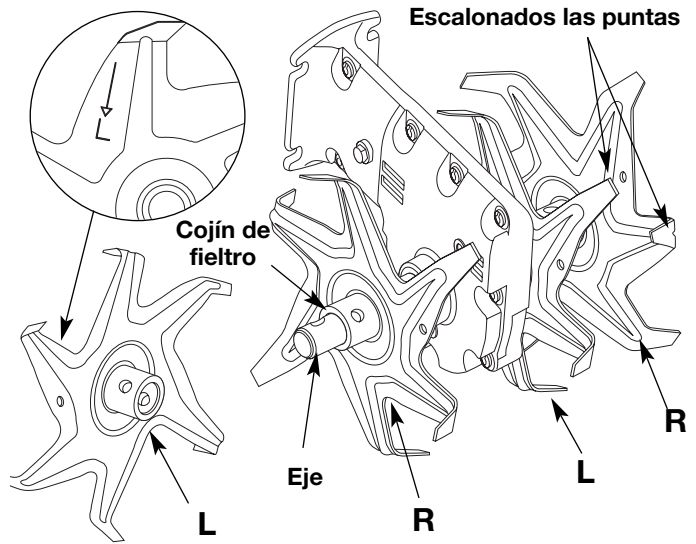
	<p>ADVERTENCIA: Para evitar graves lesiones personales, use siempre guantes gruesos cuando maneje las púas.</p>
---	--

1. Coloque el control de encendido y apagado en la posición de **APAGADO (O)** y desconecte el cable de la bujía de encendido.
2. Saque las presillas del pasador de la horquilla y los pasadores de la horquilla (Fig. 11).




3. Saque las púas y los cojines de fieltro del eje.
4. Limpie y aceite el eje.
5. Las púas llevan la letra "R" o "L" para identificar su posición a cada lado de la caja de engranajes cuando miran hacia la parte anterior de la unidad.
6. Cambie las púas y los cojines de fieltro sobre el eje con los centros de las púas enfrentados entre sí.
7. Antes de volver a instalar los pasadores de horquilla y las presillas de los pasadores, asegúrese de que las puntas de los dientes estén escalonadas cuando se comparan entre sí (Fig. 12).
8. Repita este procedimiento en el lado opuesto.

NOTA: Cuando se instala en forma correcta, habrá una púa "R" y una púa "L" a cada lado de la caja de engranajes, y las puntas de las púas se alinean en la misma dirección. Es importante que las púas se instalen en forma correcta.



INSPECCIÓN DEL NIVEL DE ACEITE

	<p>PRECAUCIÓN: Para evitar un desgaste excesivo del motor y el daño de la unidad, mantenga siempre el nivel de aceite correcto en el cárter del cigüeñal. No opere nunca la unidad con el aceite debajo del extremo inferior de la varilla de medición.</p>
---	--

No podemos exagerar la importancia de verificar y mantener el nivel correcto de aceite en el cárter del cigüeñal. Inspeccione el nivel de aceite antes de cada uso:

1. Apague el motor y permita que el aceite drene dentro del cárter del cigüeñal.
2. Coloque la unidad sobre una superficie plana y nivelada para obtener una lectura correcta del nivel de aceite.
3. Mantenga la suciedad, recortes de césped, etc. fuera del motor. Limpie el área alrededor del tapón de relleno de aceite / varilla de medición antes de retirarlo.
4. Retire el tapón de relleno de aceite / varilla de medición y seque el aceite. Vuelva a insertarlo completamente hacia adentro.

INSTRUCCIONES DE MANTENIMIENTO Y REPARACIÓN

5. Retire el tapón de relleno de aceite / varilla de medición e inspeccione el nivel del aceite. El aceite debe llegar hasta la parte superior de la varilla de medición (Fig. 15).
6. Si el nivel está bajo, agregue una pequeña cantidad de aceite en el orificio de llenado de aceite y vuelva a medir (Fig. 16). Repita hasta que el nivel de aceite llegue hasta la parte superior de la varilla de medición.

NOTA: No llene demasiado la unidad.

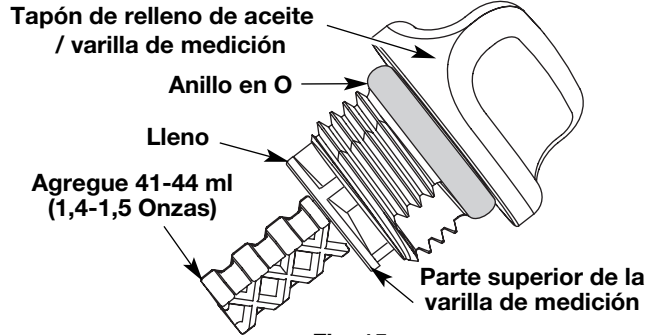


Fig. 15

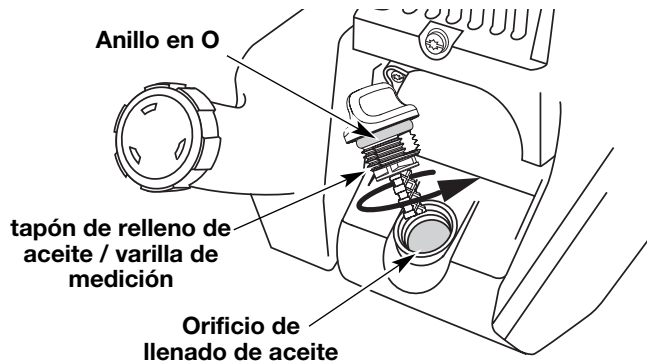


Fig. 16

NOTA: Verifique que el anillo en O esté en su lugar en el tapón de relleno de aceite / varilla de medición cuando mida y cambie el aceite (Fig. 16).

CAMBIO DEL ACEITE

En un motor nuevo, cambie el aceite después de las 10 primeras horas de operación. Cambie el aceite mientras el motor aún está caliente. El aceite fluirá con libertad y llevará más impurezas.



PRECAUCIÓN: Use guantes para evitar sufrir lesiones cuando maneje la unidad.

1. Desenchufe el manguito de la bujía de encendido para eliminar el arranque.
2. Retire el tapón de relleno de aceite / varilla de medición.
3. Vierta el aceite fuera del orificio de llenado de aceite en un recipiente inclinando la unidad hasta una posición vertical (Fig. 17). Deje suficiente tiempo como para completar el drenaje.

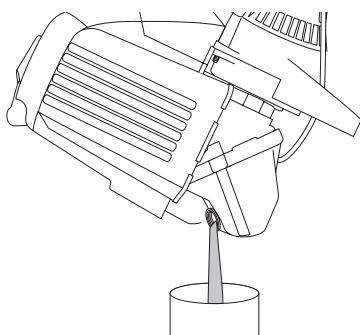


Fig. 17

4. Seque todo el aceite residual de la unidad y limpie todo el aceite que pueda haberse derramado. Elimine todo el aceite de acuerdo con las normas federales, estatales y locales.
5. Vuelva a cargar el cárter del cigüeñal con 90 ml (3,04 onzas fluidas) de aceite SAE 30 SF, SG, SH.

NOTA: Use la botella y la boquilla que guardó del uso inicial para medir la cantidad correcta. El nivel de 90 ml (3,04 onzas) está aproximadamente en la parte superior de la etiqueta de la botella (Fig. 18). Mida el nivel con la varilla de medición. Si el nivel está bajo, agregue una pequeña cantidad de aceite y vuelva a medir (Fig. 18). No lo llene demasiado.

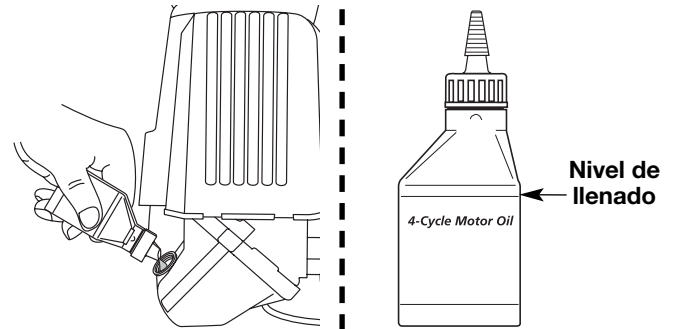


Fig. 18

6. Vuelva a colocar el tapón de relleno de aceite / varilla de medición.
7. Vuelva a conectar el manguito de la bujía de encendido.

MANTENIMIENTO DEL FILTRO DE AIRE

Limpieza del filtro de aire

Limpie y vuelva a aceitar el filtro de aire cada 10 horas de operación. Es un elemento cuyo mantenimiento es importante. Si no realiza el mantenimiento del filtro de aire, su garantía será ANULADA.



ADVERTENCIA: Para evitar graves lesiones personales, apague siempre su recortador y espere que se enfríe antes de limpiarlo o realizar todo tipo de mantenimiento.

1. Abra la cubierta del filtro de aire. Empuje la orejeta del lado izquierdo de la cubierta hacia adentro, gire la cubierta del filtro de aire hacia afuera y sepárela del bastidor del filtro de aire (Fig. 19).

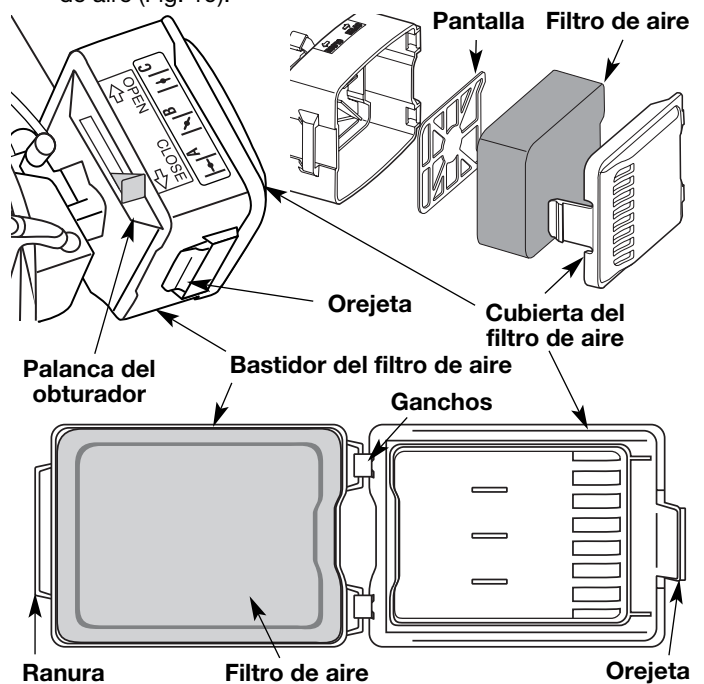


Fig. 19

INSTRUCCIONES DE MANTENIMIENTO Y REPARACIÓN

2. Saque el filtro de aire y la pantalla que está detrás del mismo (Fig. 19).
3. Lave el filtro con agua y detergente (Fig. 20). Enjuague bien el filtro y déjelo secar.

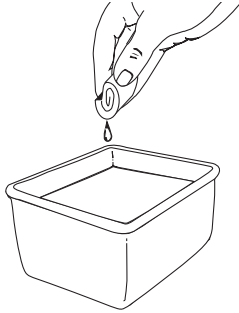


Fig. 20

4. Aplique suficiente aceite limpio de motor SAE 30 para recubrir ligeramente el filtro (Fig. 21).

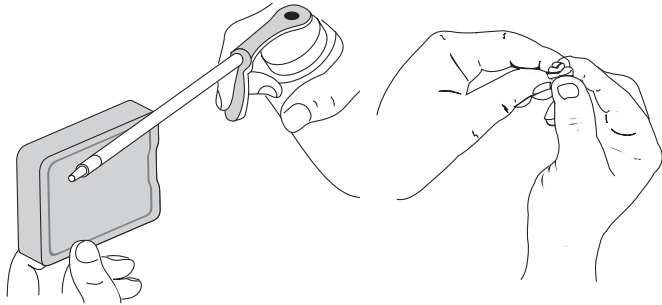


Fig. 21

5. Apriete el filtro para esparcir y retirar el exceso de aceite (Fig. 21).
 6. Vuelva a colocar el filtro (Fig. 19).
- NOTA:** Si opera la unidad sin el filtro de aire, su garantía será ANULADA.
7. Vuelva a instalar la cubierta del filtro de aire. Coloque los ganchos del lado derecho de la cubierta del filtro de aire dentro de las ranuras del lado derecho del bastidor del filtro de aire.
 8. Gire la cubierta hacia la izquierda hasta que la orejeta de la cubierta del filtro de aire se trabaje en su lugar en la ranura del lado izquierdo del bastidor del filtro de aire (Fig. 19).

AJUSTE DEL CARBURADOR

La velocidad mínima del motor puede ser ajustada. Puede tener acceso al tornillo de ajuste de mínima a través de un orificio en la parte superior de la cubierta del motor (Fig. 22).

NOTA: Los ajustes descuidados pueden dañar su motor seriamente. Los ajustes del carburador deben ser realizados por un proveedor de servicio autorizado.

Inspección del Combustible

En general, el combustible viejo es el motivo principal para que la unidad no funcione en forma adecuada. Drene y vuelva a llenar el tanque con combustible nuevo, limpio y sin plomo antes de hacer ningún ajuste. Consulte la *Información acerca del Aceite y Combustible*.

Limpieza del Filtro de Aire

La condición del filtro de aire es importante para el funcionamiento de la unidad. Un filtro de aire sucio limitará el flujo de aire y cambiará la mezcla de aire y combustible. Con frecuencia esto se confunde con un carburador fuera de ajuste. Inspeccione la condición del filtro de aire antes de ajustar el tornillo de velocidad mínima. Consulte la sección de *Mantenimiento del Filtro de Aire*.

Ajuste del Tornillo de Velocidad Mínima

Si después de inspeccionar el combustible y limpiar el filtro de aire el motor aún no funciona en mínima, ajuste el tornillo de velocidad mínima según se indica a continuación.

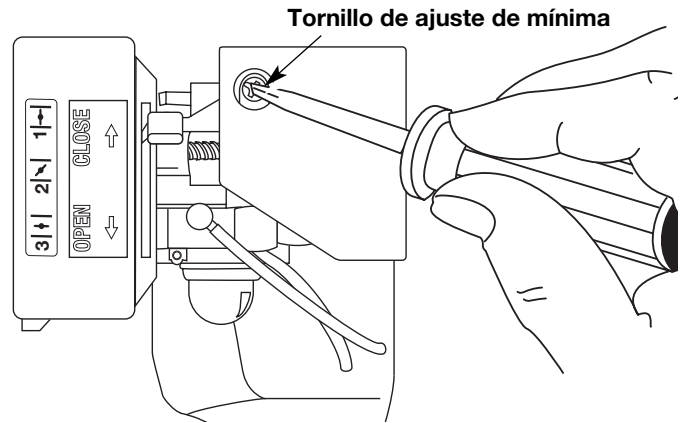
1. Arranque el motor y déjelo funcionar a una mínima alta durante un minuto para que se caliente.

NOTA: Verifique que las púas no estén en contacto con el suelo cuando ajuste la marcha lenta.



ADVERTENCIA: La unidad funcionará durante los ajustes del carburador. Use ropa que lo proteja y cumpla con todas las instrucciones de seguridad para prevenir graves lesiones personales.

2. Suelte el gatillo del regulador y deje que el motor funcione en marcha lenta. Si el motor se para, inserte un pequeño destornillador Phillips o de vástago plano en el orificio de la cubierta del silenciador / filtro de aire (Fig. 22). Gire el tornillo de marcha lenta en sentido horario, de a 1/8 de vuelta por vez (según sea necesario) hasta que el motor funciona en mínima.



Tornillo de ajuste de mínima

Fig. 22

- NOTA:** Las púas no deben girar cuando el motor está en mínima.
3. Si las púas giran cuando el motor está en mínima, gire el tornillo de marcha lenta en sentido antihorario 1/8 de vuelta por vez (según sea necesario) para reducir la marcha lenta.

La inspección del combustible, la limpieza del filtro de aire y el ajuste del tornillo de velocidad mínima debe resolver la mayoría de los problemas del motor. Si esto no sucede, y:

- El motor no funciona en mínima
- El motor fluctúa o se ahoga al acelerarlo
- Existe una pérdida de fuerza motriz

lleve el carburador a ajustar a un proveedor de servicio autorizado.

HUELGO DEL BRAZO OSCILANTE

El espacio libre del brazo oscilador pudiera necesitar ajuste si su unidad experimenta una pérdida de potencia de rendimiento o tiene problemas al arrancar. Para ajustar el espacio libre del brazo oscilador se requiere desarmar el motor. Si usted siente que no está seguro o que no está calificado como para realizar esto, lleve la unidad a un centro de servicio autorizado.

NOTA: Inspeccione el huelgo de la válvula del brazo oscilante con una galga después de las primeras 10 horas de operación y luego cada 25 horas de operación en lo sucesivo.

- El motor debe estar frío cuando verifique o ajuste el huelgo de la válvula.
 - Esta tarea debe ser realizada en interiores, en un área limpia y libre de polvo.
1. Quite los dos (2) Tornillos de encima de la tapa del motor con un destornillador de pala o Torx #25 (Fig. 25).
 2. Saque el tornillo que está detrás de la cubierta del motor (Fig. 26).
 3. Desconecte el cable de la bujía de encendido.
 4. Limpie la suciedad de alrededor de la bujía de encendido. Saque la bujía de encendido de la cabeza del cilindro girando un casquillo de 16mm (5/8 pulgadas) en sentido antihorario.
 5. Saque la cubierta del motor.

INSTRUCCIONES DE MANTENIMIENTO Y REPARACIÓN

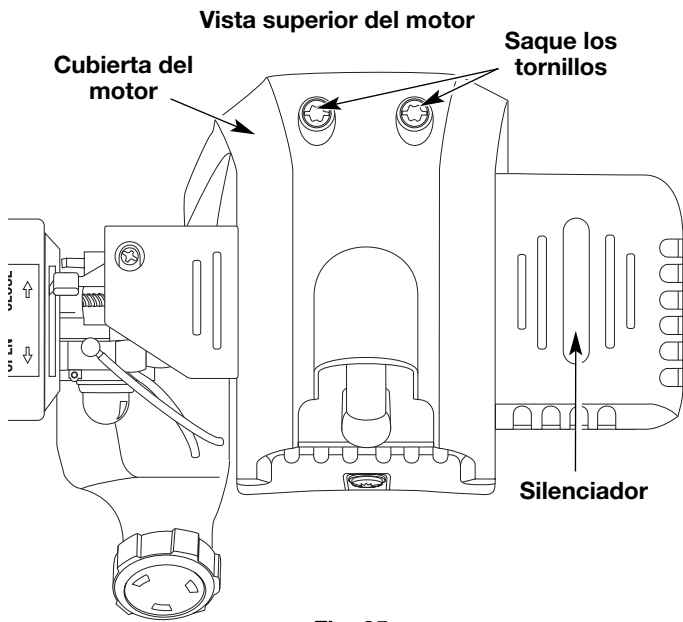


Fig. 25

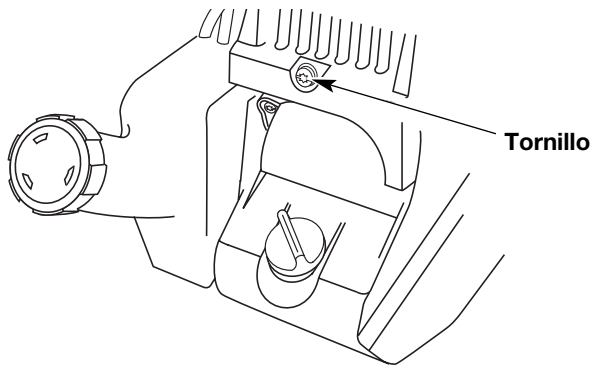


Fig. 26

6. Limpie la suciedad de alrededor de la cubierta del brazo oscilante. Saque el tornillo que sostiene la cubierta del brazo oscilante con un destornillador grande de vástago plano o con una broca Torx T-25 (Fig. 27). Saque la cubierta y la junta del brazo oscilante.

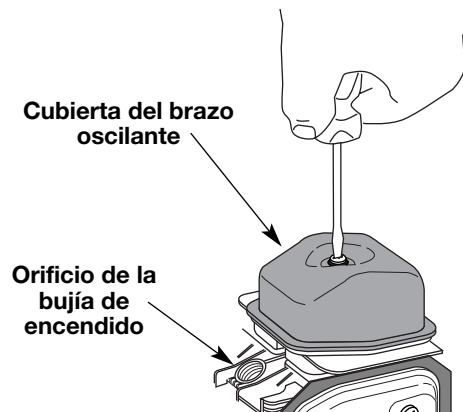


Fig. 27

7. Tire lentamente de la cuerda de arranque para traer el pistón hacia la parte superior de su recorrido (conocido como punto muerto superior). Verifique que:
- El pistón se encuentre en la parte superior de su recorrido mientras mira dentro del orificio de la bujía de encendido (Fig. 27).
 - Ambos brazos oscilantes se mueven con libertad, y ambas válvulas están cerradas

De no ser así, repita este paso.

8. Deslice la galga entre el brazo oscilante y el resorte de retorno de la válvula. Mida el huelgo entre el vástago de la válvula y el brazo oscilante (Fig. 29). Realice esto en las válvulas de entrada y de escape.

El huelgo recomendado para las válvulas de entrada y de escape es 0,076 – 0,152 mm (0,003 – 0,006 pulgadas). Use un calibrador regular de automóvil de 0,127 mm (0,005 pulgadas). El calibrador debe deslizarse entre el balancín y el vástago de la válvula con una ligera cantidad de resistencia, sin doblarse (Fig. 28 y 29).

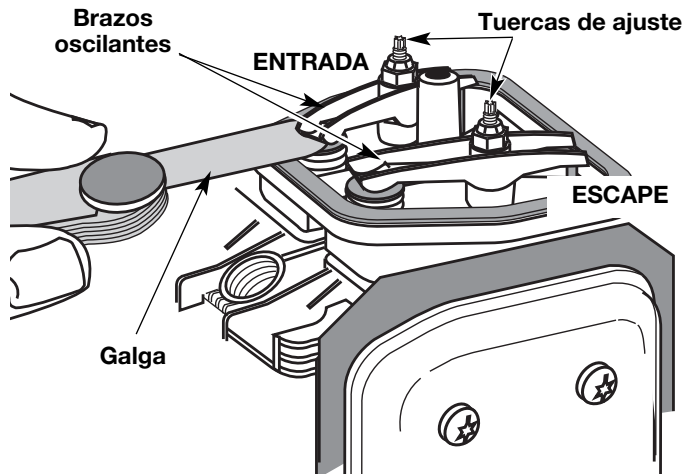


Fig. 28

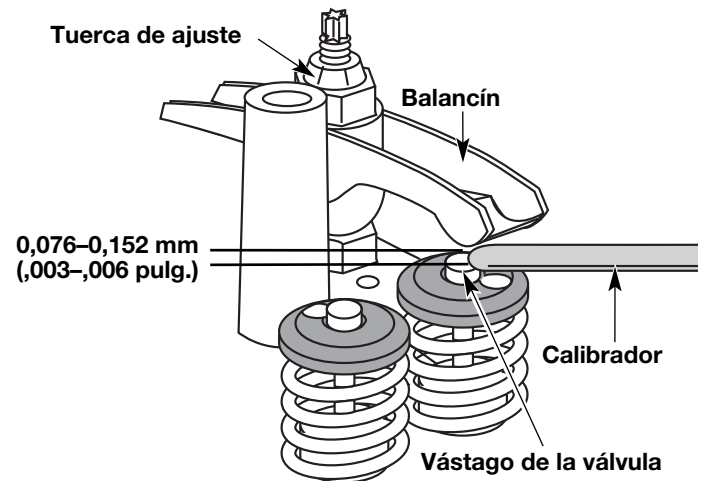



Fig. 29

9. Si el huelgo no se encuentra dentro de las especificaciones:
- a. Gire la tuerca de ajuste con una llave de 8 mm (5/16 pulgadas) o una guía de tuercas (Fig. 29).
 - Para incrementar el huelgo, gire la tuerca de ajuste en sentido antihorario.
 - Para reducir el huelgo, gire la tuerca de ajuste en sentido horario.
 - b. Vuelva a inspeccionar ambos huelgos, y ajuste si es necesario.
10. Vuelva a instalar la cubierta del brazo oscilante utilizando una nueva junta. Ajuste el tornillo a 2,2–3,4 N•m (20–30 pulgadas•libra).
11. Vuelva a instalar la cubierta del motor. Verifique la alineación de la cubierta antes de ajustar los tornillos. Ajuste los tornillos.
12. Inspeccione la bujía de encendido y vuelva a instalar. Lea *Cambio de la Bujía de encendido*.
13. Vuelva a colocar el cable de la bujía de encendido.

CAMBIO DE LA BUJÍA DE ENCENDIDO

Use una bujía de encendido 791-180852B. La separación correcta es de 0,635 mm (0,025 pulgadas). Retire la bujía luego de cada 25 horas de operación e inspeccione su estado.

1. Apague el motor y espere que se enfríe. Tome el alambre de la bujía con firmeza y sáquelo de la bujía de encendido.
2. Limpie alrededor de la bujía de encendido. Saque la bujía de encendido de la cabeza del cilindro girando una llave de casquillo de 16 mm (5/8 de pulgada) en sentido antihorario.
3. Cambie las bujías que estén rajadas, sucias o deterioradas. Fije la separación de aire a 0,635 mm (0,025 pulgadas) utilizando un calibrador (Fig. 23).



PRECAUCIÓN: No limpie con chorro de arena, ni raspe ni limpie los electrodos. El motor podría dañarse si penetran pequeñas partículas en el cilindro.

4. Instale una bujía de encendido con la separación correcta en la cabeza del cilindro. Ajuste girando la llave de casquillo 16 mm (5/8 de pulgada) en sentido horario hasta que esté ajustada sin huelgo.

Si usa una llave de torsión, ajuste a:

110-120 pulg. • libras (12,3-13,5 N•m)

No ajuste demasiado.

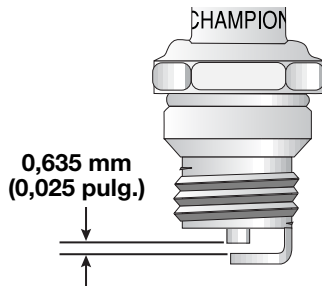


Fig. 23

MANTENIMIENTO DEL AMORTIGUADOR DE CHISPAS

1. Saque la cubierta del amortiguador de chispas. Lea *Huelgo del brazo oscilante*.
2. Con un destornillador de vástago plano o broca Torx T20, saque el tornillo que conecta la cubierta del amortiguador de chispas al silenciador (Fig. 24).

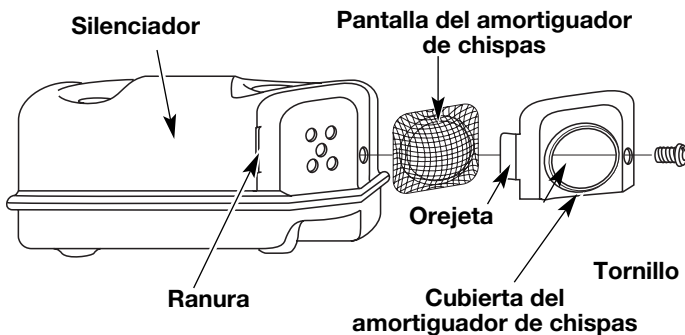


Fig. 24

3. Saque la orejeta de la cubierta del amortiguador de chispas fuera del silenciador. Retire la cubierta del amortiguador de chispas.
4. Saque la pantalla del amortiguador de chispas de la cubierta del amortiguador de chispas.
5. Limpie la pantalla del amortiguador de chispas con un cepillo de alambre, o cámbiela.
6. Vuelva a instalar la pantalla del amortiguador de chispas, la cubierta del amortiguador de chispas y el tornillo.

LIMPIEZA DE LA UNIDAD



ADVERTENCIA: Para evitar graves lesiones personales, apague siempre su unidad y espere que se enfríe antes de limpiarla o realizar cualquier tipo de mantenimiento.

- Use un cepillo pequeño para limpiar la parte exterior de la unidad y para mantener los respiraderos libres de obstrucciones.
- No use detergentes fuertes ni limpiadores derivados del petróleo como queroseno. Algunos limpiadores domésticos contienen aceites aromáticos como pino y limón que pueden dañar los bastidores de plástico y las manijas. Seque toda la humedad con un paño suave.

ALMACENAMIENTO

- No guarde nunca la unidad con combustible en el tanque donde los vapores puedan llegar a una llama o chispa.
- Espere que el motor se enfríe antes de guardar la unidad.
- Guarde la unidad bajo llave para prevenir el uso por personas no autorizadas y su daño.
- Guarde la unidad en un área seca y bien ventilada.
- Guarde la unidad fuera del alcance de los niños.

ALMACENAMIENTO POR LARGOS PERIODOS DE TIEMPO

Si debe guardar la unidad durante un largo período de tiempo,

1. Drene toda la gasolina del tanque en un recipiente. No use gasolina que haya estado guardada durante más de 60 días. Elimine la gasolina vieja de acuerdo con las normas federales, estatales y locales.
2. Arranque el motor y déjelo funcionar hasta que se ahogue. Esto asegura que toda la gasolina se haya drenado del carburador.
3. Deje enfriar el motor. Saque la bujía de encendido y coloque 1 onza (30 ml) de aceite de motor de buena calidad en el cilindro. Tire de la cuerda de arranque lentamente para distribuir el aceite. Vuelva a instalar la bujía de encendido.

NOTA: Saque la bujía de encendido y drene todo el aceite del cilindro antes de intentar usar el recortador luego de haber estado guardado.

4. Cambie el aceite. Lea *Cambio del Aceite*. Elimine el aceite viejo de acuerdo con las normas federales, estatales y locales.
5. Limpie bien la unidad y verifique que no existan partes flojas ni dañadas. Repare o cambie las partes dañadas y ajuste los tornillos, las tuercas o los pernos que estén flojos. La unidad está lista para ser guardada.
6. Para ocupar menos espacio de almacenamiento, afloje las perillas del manubrio y pliegue el manubrio hacia abajo. La unidad está lista para su almacenamiento.

TRANSPORTE

- Espere que el motor se enfríe antes de transportar la unidad.
- Asegure la unidad durante su transporte.
- Drene el tanque del combustible antes de transportar la unidad.
- Ajuste la tapa del combustible antes de transportar la unidad.

RESOLUCIÓN DE PROBLEMAS

EL MOTOR NO ARRANCA

CAUSA

El interruptor de encendido está APAGADO
El tanque de combustible está vacío
La bombilla del cebador no fue oprimida lo suficiente

El motor se ha inundado

La gasolina es vieja
La bujía de encendido está sucia

ACCION

Mueva el interruptor a Encendido
Llene el tanque de combustible
Oprima la bombilla del cebador completa y lentamente 10 veces
Hale el cordón de arranque repetidas veces con el control del obturador enteramente activado y con la palanca del estrangulador en la Posición 3
Drene el tanque de combustible / Agregue gasolina nueva
Cambie o limpie la bujía de encendido.

EL MOTOR NO FUNCIONA EN MINIMA

CAUSA

El filtro de aire está obstruido
La gasolina es vieja
Ajuste incorrecto del carburador

ACCION

Cambie o limpie el filtro de aire
Drene el tanque de combustible / Agregue gasolina nueva
Ajuste de acuerdo a las instrucciones

EL MOTOR NO ACELERA

CAUSA

La gasolina es vieja
Ajuste incorrecto del carburador

El filtro de aire está sucio
La pantalla del amortiguador de chispas está obstruida

ACCION

Drene el tanque de combustible / Agregue gasolina nueva
Lleve la unidad a MTD o a otra agencia de servicio habilitada para hacer un ajuste
Limpie o cambie el filtro de aire
Limpie o reemplace

EL MOTOR NO TIENE SUFICIENTE POTENCIA O SE AHOGA BAJO CARGA

CAUSA

La gasolina es vieja
Ajuste incorrecto del carburador

Energía baja
Las púas del cultivador están atoradas con tierra o hierbas

ACCIÓN

Drene el tanque de combustible / Agregue gasolina nueva
Lleve la unidad a MTD o a otra agencia de servicio habilitada para hacer un ajuste
Huelgo del brazo oscilante (Página E18)
Apague la unidad, coloque el control de arranque/ apagado en APAGADO, limpie y retire todo el residuo atorado en las púas

RASTROS DE ACEITE ALREDEDOR DEL TAPON DEL ACEITE / VARILLA DE MEDICIÓN

CAUSA

El tapón del aceite /varilla de medición está flojo o le falta el anillo en O

ACCION

Ajuste el tapón del aceite / varilla de medición, coloque un anillo en O

ESPECIFICACIONES

MOTOR*

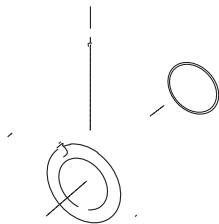
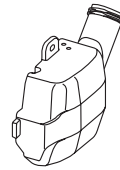
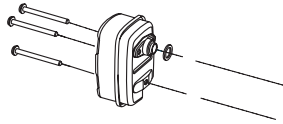
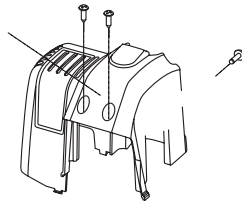
Tipo de motor	Enfriado por aire, 4 ciclos
Desplazamiento	26,2 cc (1.6 pulgadas cúbicas)
Tipo de embrague	Centrífugo
R.P.M. de velocidad mínima	3.000-3.600 r.p.m.
R.P.M. de operación	7.200-8.800 r.p.m.
Tipo de embrague	Centrífugo
Tipo de encendido	Electrónico
Interruptor de encendido	Interruptor oscilante
Huelgo de la válvula (entrada y escape)	0,076 – 0,0152 mm (0,003 – 0,006 pulg.)
Separación de la bujía de encendido	0,635 mm (0,025 pulg.)
Lubricación	Aceite SAE 30
Capacidad de aceite del cárter del cigüeñal	90 ml (3,04 onzas)
Combustible	Sin plomo
Carburador	Diafragma, multiposicional
Arranque	Rebobinado automático
Silenciador	Desviado con protección
Regulador	Retroceso de resorte
Capacidad del tanque de combustible	444 ml (15 onzas)

EJE IMPULSOR Y CULTIVADOR*

Ancho de la trayectoria de cultivo (Máximo)	22,86 cm (9 pulgadas)
Profundidad de cultivo (Máximo)	15,24 cm (6 pulgadas)
Peso (sin combustible)	11,5 kg (25 libras)

* Toda las especificaciones contenidas en este manual se basan en la información más reciente disponible en el momento de impresión del manual. Nos reservamos el derecho de hacer cambios en cualquier momento sin aviso previo.

PARTS LIST

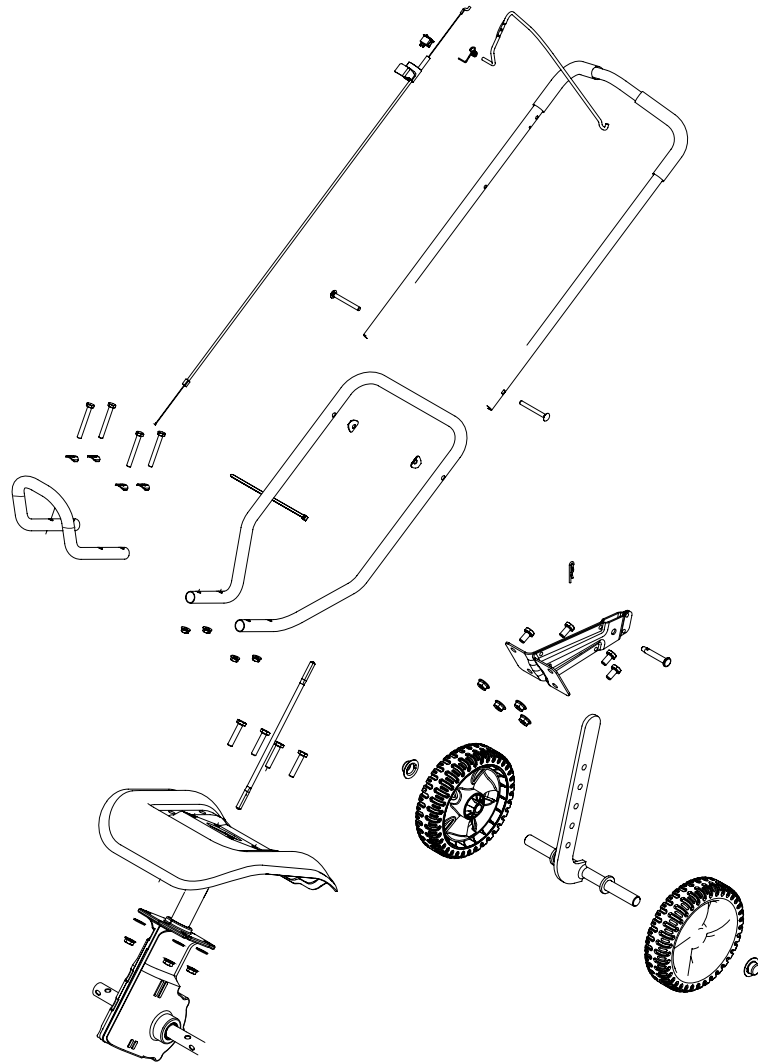


PARTS LIST

**REPLACEMENT PARTS - MODEL YM141
4-CYCLE GAS CULTIVATOR**

Item	Part No.	Description	Item	Part No.	Description
1	753-04028	Engine Cover Assembly (includes 3 & 4)	49	753-04288	Palnut
2	791-181930	Engine Cover Screw	50	753-1202	Plate Screw
3	791-182651	Starter Rope Eyelet	51	753-05074	Pressure Plate Assembly (includes 50)
4	791-182652	Eyelet Nut	52	753-05072	Recoil Pulley Assembly (includes 49 & 57)
5	791-181025	Valve Cover Screw	53	753-04286	Recoil Spring
6	791-182098	Valve Cover	54	791-182366	Nut Clip
7	791-182099	Valve Cover Gasket	55	791-181079	Pull Handle
8	791-182340	Rocker Adjustment Nut	56	791-611061	Rope Guide
9	791-182101	Rocker Arm Pivot	57	791-182661	Rope
10	791-182100	Rocker Arm	58	791-181020	Housing Screw
11	791-182341	Rocker Arm Stud	59	753-05464	Starter Housing Assembly (includes 49-58)
12	791-182103	Valve Spring Retainer	60	791-182537	Wire Grommet
13	791-181038	Valve Spring	61	791-182396	Clutch Washer
14	791-182102	Push Rod Guide	62	753-1238	Clutch with Washer
15	791-181033	Push Rod	63	791-153592	Clutch Drum
16	753-04816	Cylinder Assembly (includes 11-14, 17, 80 & 81)	64	753-05076	Clutch Cover Assembly (includes 65-68)
17	791-181003	Cylinder Screw	65	791-181345	Clutch Cover Screw
18	791-182345	Intake Baffle	66	791-182519	Anti-Rotation Screw
19	791-182749	Carburetor Mount Gasket	67	753-04185	Screw
20	753-04993	Nut	68	791-180217	Nut
21	753-04029	Carburetor Mount (includes 20)	69	753-04039	Lead Wire
22	791-182348	Carburetor Mount Screw	70	753-04040	Ignition Module with Screws
23	791-182732	Carburetor Gasket	71	753-05078	Spacer
24	753-1225	Carburetor with Primer	72	791-182736	Flywheel
25	753-04030	Air Filter O-Gasket	73	791-181861	Screw
26	753-04031	Air Filter Mounting Screw	74	791-182743	Shroud Assembly (includes 73)
27	753-05308	Air Filter Cover Assembly (includes 28, 29, 31-33)	75	753-05079	Crankcase Assembly (includes 76 & 77)
28	791-182097	Breather Tube Assembly	76	791-182375	90° Elbow
29	791-181000	Grommet Washer	77	791-182379	Breather Hose
30	791-182409	Washer	78	753-04919	Cam Bracket Assembly
31	791-182657	Air Filter Plate	79	791-181012	Cam Bracket Screw
32	791-182658	Air Filter	80	791-181040	Valves, Intake and Exhaust
33	791-182659	Air Filter Cover	81	791-182374	Cylinder Gasket
34	791-182267	Fuel Cap	82	791-181018	Oil Pan Gasket
35	791-182352	Fuel Return Line	83	791-182377	Oil Pan (includes 82 & 84)
36	791-182353	Fuel Pick-Up Line with Filter	84	791-181020	Oil Pan Screw
37	753-04034	Fuel Tank Assembly (includes 34-36)	85	791-182378	Dipstick Assembly (includes 86)
38	791-181080	Screw	86	791-182290	O-Ring
39	791-182236	Washer	87	791-181009	Connecting Rod
40	753-04035	Bushing	88	791-181008	Wrist Pin Button
41	791-182356	Fuel Tank Shield	89	753-04878	Piston (includes 91)
42	753-1232	Muffler Baffle	90	753-05176	Wrist Pin
43	791-181048	Muffler Gasket	91	753-04801	Piston Ring Set
44	753-04036	Muffler (includes 43, 45-47)	*	791-180852B	Spark Plug
45	791-180890	Spark Arrestor Screen	*	753-05081	Short Block Assembly (includes 5-17, 75-91)
46	791-181045	Screen Cover			
47	791-181046	Screw			
48	791-182361	Muffler Mounting Screw	*		Parts not shown

PARTS LIST



Declaración de Garantía de Control de Emisiones de la EPA / California

Sus Derechos y Obligaciones de la Garantía

La Junta de Recursos del Aire de California, la Agencia de Protección Ambiental y MTD LLC (MTD) se complacen en explicar la garantía del sistema de control de emisiones para su pequeño motor para uso fuera de la carretera del 2005 y posterior. Los nuevos motores pequeños para uso fuera de la carretera tienen que diseñarse, construirse y equiparse para cumplir las normas contra smog más estrictas. MTD tiene que garantizar el sistema de control de emisiones de su pequeño motor para uso fuera de la carretera durante los períodos de tiempo que aparecen a continuación siempre que no haya habido abuso, negligencia o mantenimiento indebido de su motor para uso fuera de la carretera.

Su sistema de control de emisiones puede incluir piezas como el carburador y el sistema de inyección de combustible, el sistema de encendido y el convertidor del catalizador. También se pueden incluir mangueras, correas, conectores y otros conjuntos relacionados con la emisión.

Donde existan las condiciones de garantía, MTD reparará su pequeño motor para uso fuera de la carretera sin costo alguno para usted incluyendo el diagnóstico, las piezas y la mano de obra.

Los pequeños motores para uso fuera de la carretera del 2005 y posteriores, se garantizan por dos años. Si alguna pieza de su motor relacionada con la emisión está defectuosa, la pieza será reparada o reemplazada por MTD.

Responsabilidades de Garantía de los Propietarios

Como propietario del pequeño motor para uso fuera de la carretera, usted es responsable de realizar el mantenimiento requerido que aparece en el manual del operador. MTD recomienda que conserve todos los comprobantes que cubren el mantenimiento de su pequeño motor para uso fuera de la carretera, pero MTD no puede negar garantía exclusivamente por la falta de comprobantes o por que usted no haya realizado todos los mantenimientos programados.

Como propietario del pequeño motor para uso fuera de la carretera, usted debe conocer que MTD puede negarle cobertura de garantía si su pequeño motor para uso fuera de la carretera o una pieza ha fallado debido a abuso, negligencia, mantenimiento inadecuado o modificaciones no aprobadas.

Usted es responsable de presentar su pequeño motor para uso fuera de la carretera a un Centro de Servicio Autorizado MTD tan pronto como exista un problema. Las reparaciones de garantía deben completarse en un período de tiempo razonable, el cual no deberá ser mayor de 30 días.

Si tiene alguna pregunta relacionada con los derechos y responsabilidades de la garantía, debe llamar al **1-800-520-5520**.

Cobertura de Garantía del Fabricante

El período de garantía comienza en la fecha en que el motor o equipo se entrega al comprador minorista.

El fabricante garantiza al propietario original y a cada comprador subsiguiente, que el motor está libre de defectos en cuanto a material y mano de obra que ocasionen la falla de una pieza bajo garantía durante un período de dos años.

La reparación o reemplazo de una pieza bajo garantía se llevará a cabo sin cargo alguno para el propietario en un Centro de Servicio MTD Autorizado. Para conocer el establecimiento más cercano, comuníquese con MTD llamando al: **1-800-520-5520**.

Cualquier pieza bajo garantía que no esté programada para ser reemplazada, según indica el mantenimiento requerido o que esté programada solamente para inspección regular a los efectos de "Repáre o Reemplace según sea Necesario" está garantizada durante el período de garantía. Cualquier pieza bajo garantía que esté programada para ser reemplazada según indica el mantenimiento requerido tendrá garantía durante el período de tiempo hasta el primer punto de reemplazo programado para dicha pieza.

No se le cobrará al propietario la mano de obra de diagnóstico que conlleve a la determinación de que una pieza bajo garantía está defectuosa, si dicho trabajo de diagnóstico se lleva a cabo en un Centro de Servicio MTD Autorizado.

El fabricante es responsable de los daños ocasionados a otros componentes del motor producidos por la falla de una pieza bajo garantía que todavía esté bajo garantía.

Las fallas ocasionadas por abuso, negligencia o mantenimiento inadecuado no están cubiertas por la garantía.

El uso de accesorios optativos o piezas modificadas puede ser motivo justificado para no aceptar una reclamación de garantía. El fabricante no es responsable de cubrir fallas de piezas bajo garantía ocasionadas por el uso de accesorios optativos o piezas modificadas.

Para presentar una reclamación, vaya a su Centro de Servicio MTD Autorizado más cercano. Los servicios o reparación por motivo de garantía se realizarán en todos los Centros de Servicio MTD Autorizados.

Cualquier pieza de reemplazo aprobada por el fabricante puede ser utilizada para llevar a cabo el mantenimiento o la reparación de garantía de piezas relacionadas con la emisión y se realizará sin cargo alguno para el propietario. Cualquier pieza de reemplazo que sea equivalente en rendimiento o durabilidad puede ser utilizada en el mantenimiento o reparación sin garantía y no reducirá las obligaciones de garantía del fabricante.

Los componentes siguientes se incluyen en la garantía relacionada con emisiones del motor, filtro de aire, carburador, cebador, líneas de combustible, toma de combustible, filtro de combustible, módulo de encendido, bujía de encendido y silenciador.

GARANTÍA LIMITADA DEL FABRICANTE PARA:



La garantía limitada establecida a continuación es dada por MTD LLC ("MTD") con respecto a mercancía nueva que sea comprada y usada en los Estados Unidos, sus posesiones y territorios.

MTD garantiza este producto contra defectos en el material y la mano de obra durante un período de dos (2) años, a partir de la fecha de compra original y a su entera opción, arreglará o substituirá, sin costo alguno, cualquier pieza cuyo material o mano de obra se considere defectuoso. Esta garantía limitada se deberá aplicar únicamente si este producto ha sido manejado y mantenido de acuerdo al Manual del Operador incluido con el producto y, si no ha sido sometido a mal uso, abuso, uso comercial, accidente, mantenimiento inapropiado, alteración, vandalismo, hurto, fuego, agua o daños debidos a otros riesgos o desastre natural. Los daños ocasionados por la instalación o el uso de cualquier accesorio o aditamento que no esté aprobado por MTD para que sea usado con el (los) producto(s) contemplados en este manual, anularán la garantía con respecto a cualquier daño resultante. Esta garantía está limitada a noventa (90) días a partir de la fecha de compra original de cualquier producto MTD que se use para alquiler o para propósitos comerciales, o cualquier otro propósito que genere ingreso.

CÓMO OBTENER SERVICIO: El servicio de garantía se encuentra disponible A TRAVÉS DE SU DISTRIBUIDOR LOCAL AUTORIZADO, AL PRESENTAR UN COMPROBANTE DE COMPRA. Para ubicar al distribuidor de su área, por favor consulte las Páginas Amarillas o contacte al Departamento de Servicio al Consumidor de MTD LLC llame al **1-800-800-7310** o, escriba a P.O. Box 361131, Cleveland OH 44136-0019. Si está en Canadá, llame al **1-800-668-1238**. No se aceptará ningún producto que sea enviado directamente a la fábrica, a menos que haya recibido autorización previa por escrito por parte del Departamento de Servicio al Consumidor de MTD LLC.

Esta garantía limitada no ofrece cobertura en los siguientes casos:

- A. Sincronizaciones — Bujías, ajustes de carburadores, filtros.
- B. Artículos de desgaste — Botón de tope, carretes externos, línea de corte, carretes internos, polea de arranque, cuerdas de arranque, correas motoras.
- C. MTD no le ofrece ninguna garantía a productos que sean vendidos o exportados fuera de los Estados Unidos de Norteamérica, sus posesiones y territorios, excepto aquellos que se vendan a través de los canales de distribución para exportación autorizados por MTD.

MTD se reserva el derecho a cambiar o mejorar el diseño de cualquier producto MTD, sin asumir ninguna obligación para modificar ningún producto fabricado con anterioridad.

Ninguna garantía implícita es aplicable, incluyendo cualquier garantía implícita de comerciabilidad o idoneidad para un propósito particular, después del período de la garantía expresa escrita con anterioridad, con respecto a las piezas identificadas. Ninguna otra garantía expresa dada por cualquier persona o entidad, incluyendo a los distribuidores o minoristas, bien sea escrita u oral, deberá comprometer a MTD con respecto a cualquier producto. Durante el período de la Garantía, la solución exclusiva es arreglar o cambiar el producto de la manera establecida anteriormente. (Algunos estados no permiten limitaciones en cuanto al período de duración de una garantía implícita, de manera que puede que la limitación anterior no sea aplicable para usted.)

Las estipulaciones establecidas en esta Garantía ofrecen la solución única y exclusiva que resulte de las ventas. MTD no deberá ser responsable de pérdidas o daños incidentales o consecuentes que incluyen, sin limitación, erogación de gastos debido a la sustitución de servicios de mantenimiento de prados, transporte o gastos relacionados, o gastos de alquiler para reemplazar temporalmente un producto bajo garantía. (Algunos estados no permiten limitaciones en cuanto al período de duración de una garantía implícita, de manera que puede que la limitación anterior no sea aplicable para usted.)

La recuperación de cualquier tipo no deberá ser superior al precio de compra del producto vendido en ningún caso. La alteración de las características de seguridad del producto deberá anular la garantía. Usted asume el riesgo y la obligación de la pérdida, daño o lesión en su persona o a su propiedad y / o la de otras personas y sus propiedades, que se origine a raíz del uso o mal uso, o la falta de capacidad para usar el producto.

Esta garantía limitada no deberá cubrir a ninguna otra persona distinta al comprador original, arrendatario original, o la persona para la que se compró en calidad de regalo.

Relación de las leyes estatales con esta Garantía: Esta garantía le confiere derechos legales específicos, y puede que usted también tenga otros derechos, los cuales varían en cada estado.

Para ubicar a su distribuidor de servicio más cercano, llame al **1-800-800-7310** en los Estados Unidos o al **1-800-668-1238** en Canadá.

MTD LLC
P.O. Box 361131
Cleveland, OH 44136-0019