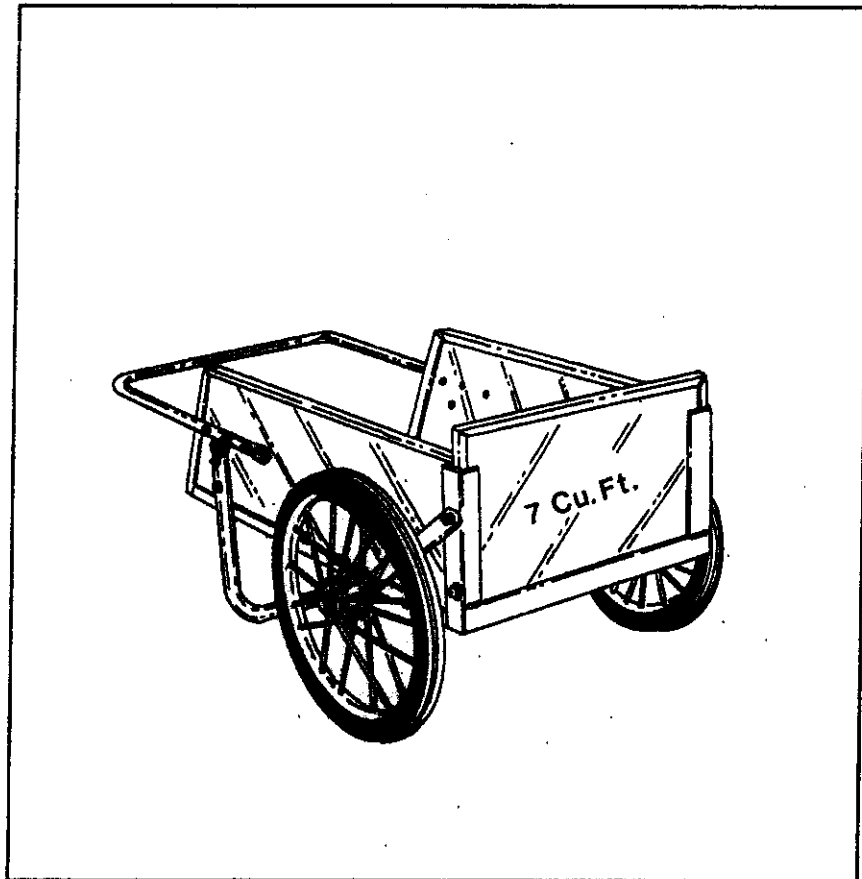


OWNERS MANUAL

**MODEL NO.
45-01763**

**CAUTION:
Read Rules for
Safe Operation
and Instructions
Carefully**



7 CU. FT. FARM/YARD CART

- Safety
- Assembly
- Operation
- Maintenance
- Parts

RULES FOR SAFE OPERATION

Preventing accidents is the responsibility of every equipment operator. The following general safety precautions must be fully understood and followed by every operator.

1. Do not at any time carry passengers in this cart. It is designed for carrying materials only and not intended to carry passengers.
2. Be careful on any grade (hill) and stay off of steep grades.
3. Use caution when loading cart to avoid tipping.
4. Avoid large holes and ditches when transporting loads.

Your Farm/Yard Cart carton contains a hardware package with parts as shown in the chart below and in figure 1.

Contents of Hardware Pack: (See figure 1)

REF.	QTY.	DESCRIPTION
A	8	Screws, 1/4-20 x 2" Long
B	4	Screws, 1/4-20 x 1-1/4" Long
C	15	Screws, 1/4-20 x 1" Long
D	4	Tube Cap, 1" x 1" Long
E	27	Hex Nuts, 1/4-20 Thread
F	23	Flat Washer, 1/4"
G	4	Flat Washers, 1-1/2"
H	4	Lock Washers, 1/4"
I	4	Cotter Pins

HARDWARE REFERENCE CHART

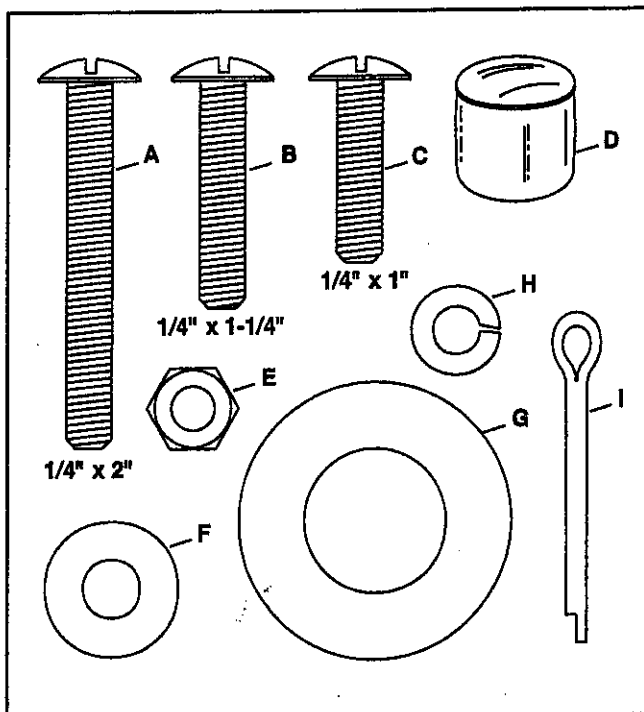


FIGURE 1

ASSEMBLY INSTRUCTIONS

TOOLS REQUIRED

- (1) Screw Driver
- (1) Pliers
- (1) 7/16" Wrench

When assembling your cart, place the heads of all screws to the inside and hex nuts with flat washers to the outside.

1. Lay the front angle assembly down (flat) on floor and stand the bottom panel in position as shown in figure 2.



The bottom panel has one galvanized edge; this is the rear. The front edge has three holes. See figure 2.

2. Line up three holes in bottom panel with holes in front angle assembly. Start three 1/4" x 1" screws through bottom panel, then through angle. Secure screws with 1/4" flat washers and hex nuts. Tighten securely. See figure 2.

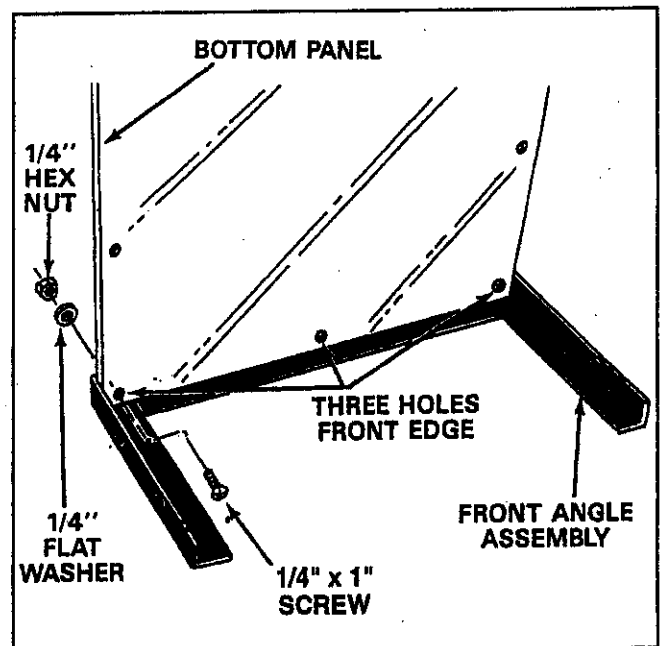


FIGURE 2

- Turn the front angle assembly and bottom panel upside down as shown in figure 3.
- Lay the two side angles on the bottom panel so that the two holes for the axle clamps are closer to the front angle assembly. See figure 3.
- Secure both axle clamps to the side angles and the bottom panel using four $1/4"$ x $1-1/4"$ screws, lock washers and hex nuts. Make only finger tight until axle is assembled. See figure 3.

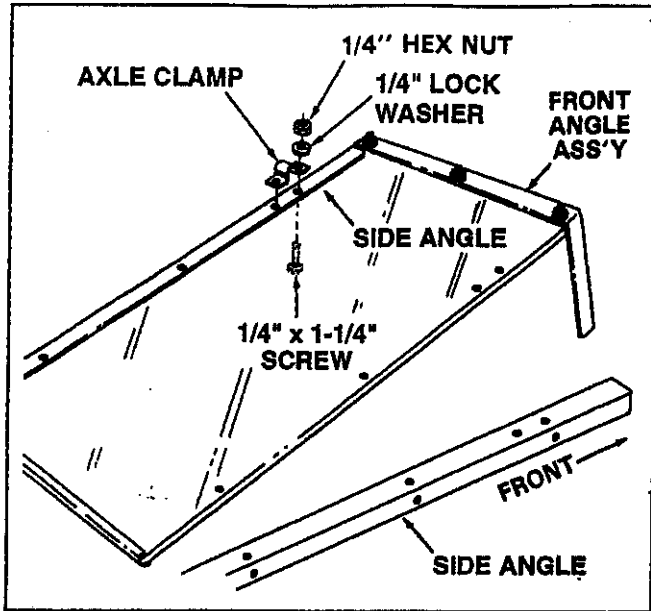


FIGURE 3

- Secure both side angle assemblies to the bottom panel using four $1/4"$ x $1"$ screws, flat washers and hex nuts. Make only finger tight until all four screws are in place, then tighten securely. See figure 4.

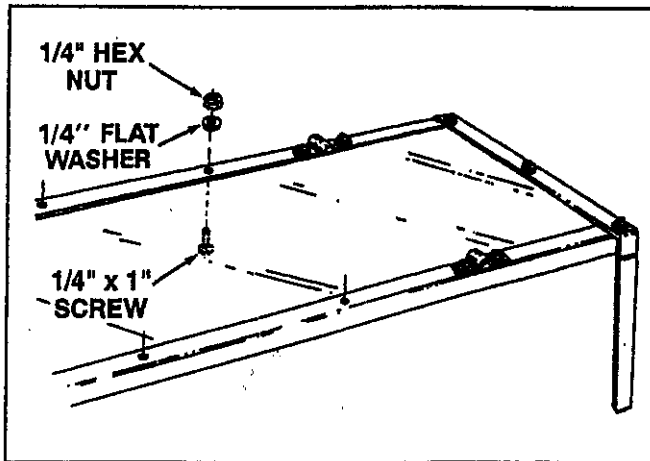


FIGURE 4

- Stand the cart on its front end with the front angle assembly on the floor. See figure 5.
- Temporarily place four large $1-1/2"$ flat washers (used on wheel axle) on the inside of front angle assembly. See figure 5.



These washers act as shims and are just for assembly purposes. You will remove them later to use on axle.

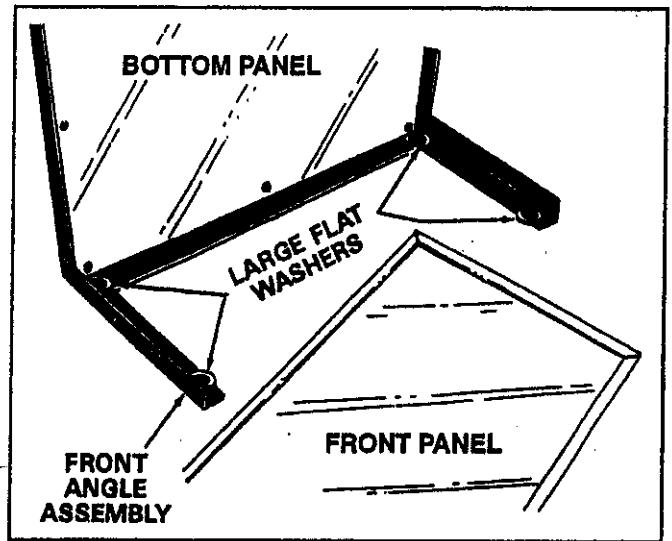


FIGURE 5

- Lay the front panel down onto the front angle assembly, on top of the four large washers. See figure 6.

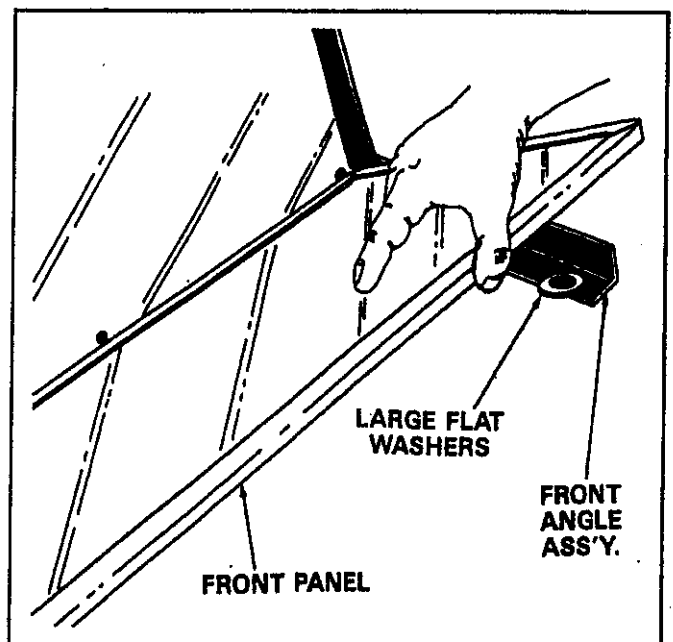


FIGURE 6

10. Place one side panel in position against a side angle and down on top of the front panel. Start one 1/4" x 1" screw through the center hole in side panel and side angle. Secure with hex nut and flat washer. See figure 7. Make only finger tight at this time.
11. Start one 1/4" x 1" screw through front hole on side panel and side angle. Start another 1/4" x 1" screw through top hole on side panel and front angle assembly. Next, place a support strap over these two screws and secure it with flat washers and hex nuts, making only finger tight at this time. See figure 7.
12. Repeat steps 10 and 11 for the other side panel.

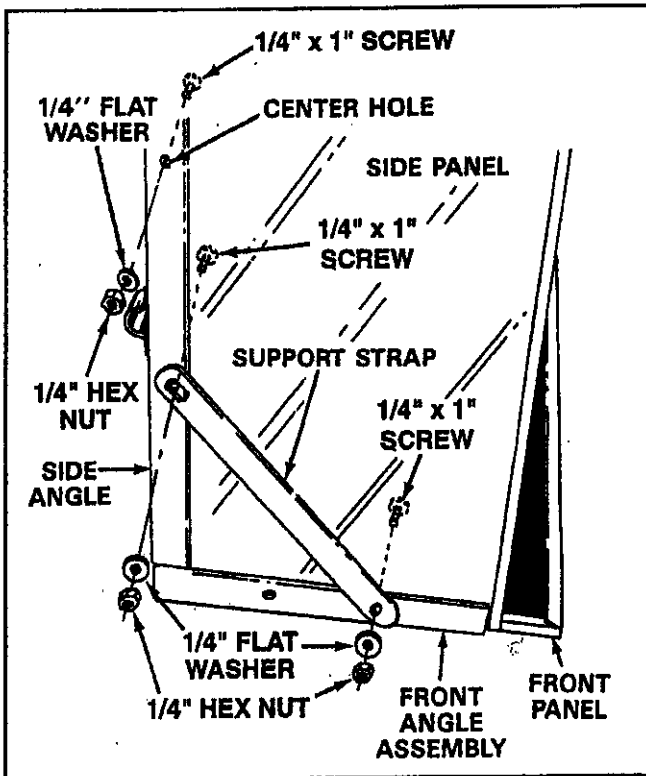


FIGURE 7

13. Assemble one 1/4" x 1" screw through bottom hole in side panel and front angle assembly. Secure with a flat washer and hex nut, making only finger tight at this time. Repeat for the other side panel. See figure 8.
14. Tighten all loose nuts and screws securely at this time.

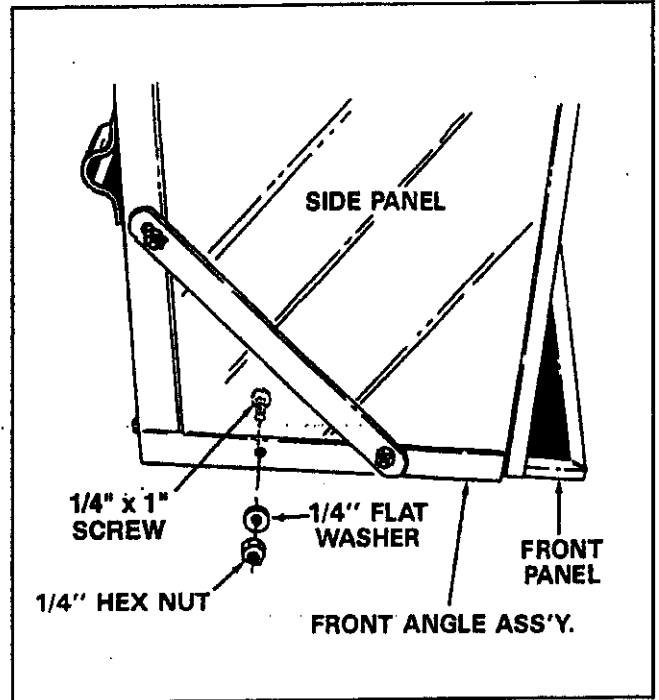


FIGURE 8

15. Lay the cart down on the floor so that the sides are up in a normal position. Remove the front panel by sliding it up, then remove the four large washers you used for shims. See figure 9.

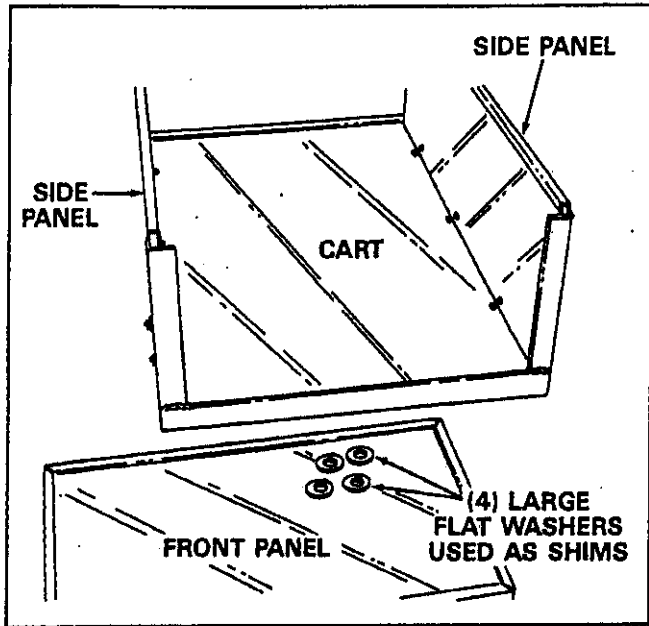


FIGURE 9

17. Leave the cart standing to assemble the handle tube in the next step.

18. Place tube caps on the handle tube, then place it over the side panels and line up the four holes. Assemble four 1/4" x 2" screws through the side panels and handle. Secure with flat washers and hex nuts. See figure 11.

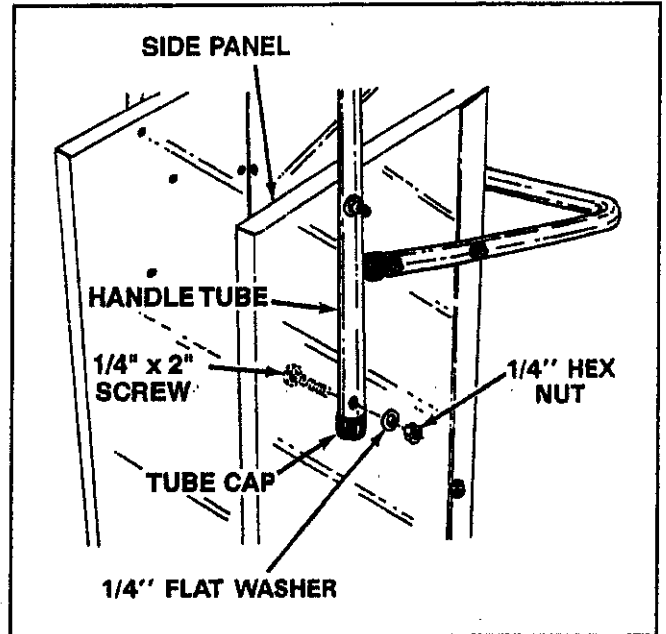


FIGURE 11

16. Stand cart up on its front end again. Place tube caps on leg tube and assemble the leg tube as shown in figure 10, using four 1/4" x 2" screws through side panels and leg tube. Secure with flat washers and hex nuts. See figure 10.

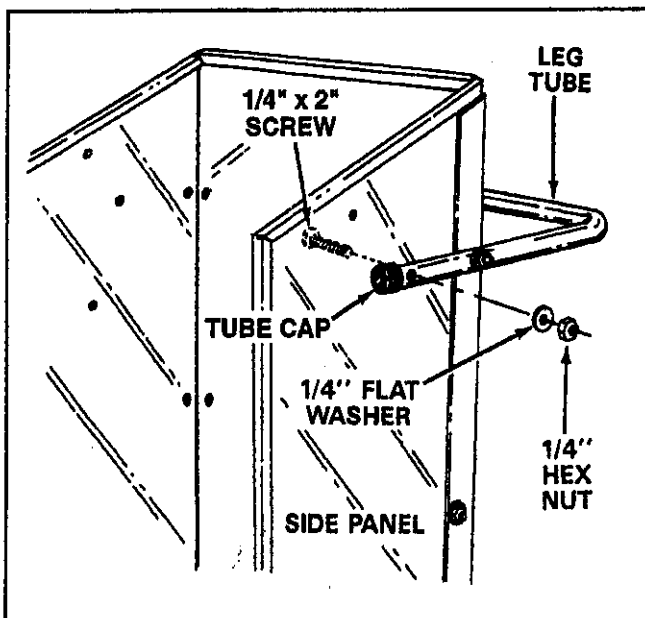


FIGURE 10

19. Lay the cart upside down. Slide the axle through the axle clamps. See figure 12.

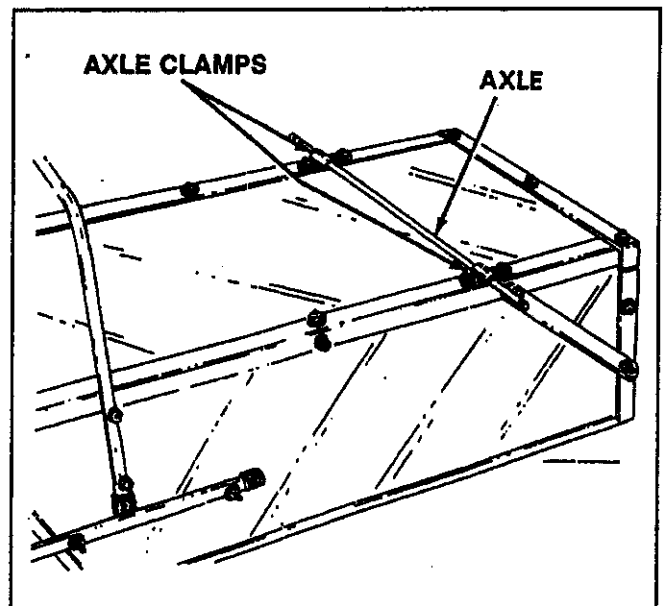


FIGURE 12

20. Assemble a cotter pin to the inside hole at one end of the axle. Place a 1-1/2" flat washer, a wheel and then another 1-1/2" flat washer onto the axle. Secure the wheel with a cotter pin assembled to the outside hole at the end of the axle. Repeat step for other wheel. See figure 12.

21. Center the wheels and the axle side to side. Tighten the four nuts on the axle clamps.

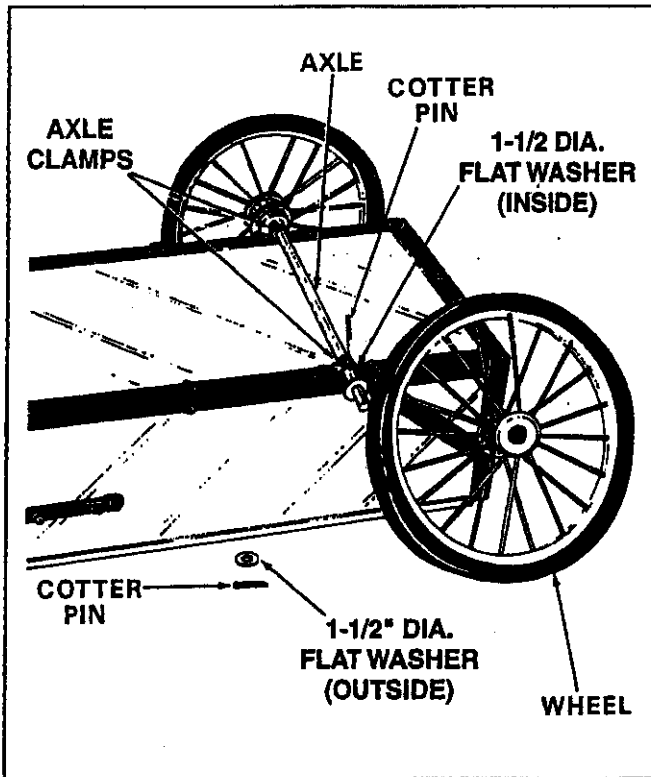


FIGURE 13

22. Turn cart right side up, so that it rests on its wheels.

23. Place front panel in guides to complete assembly.

24. Your cart is now ready to use.

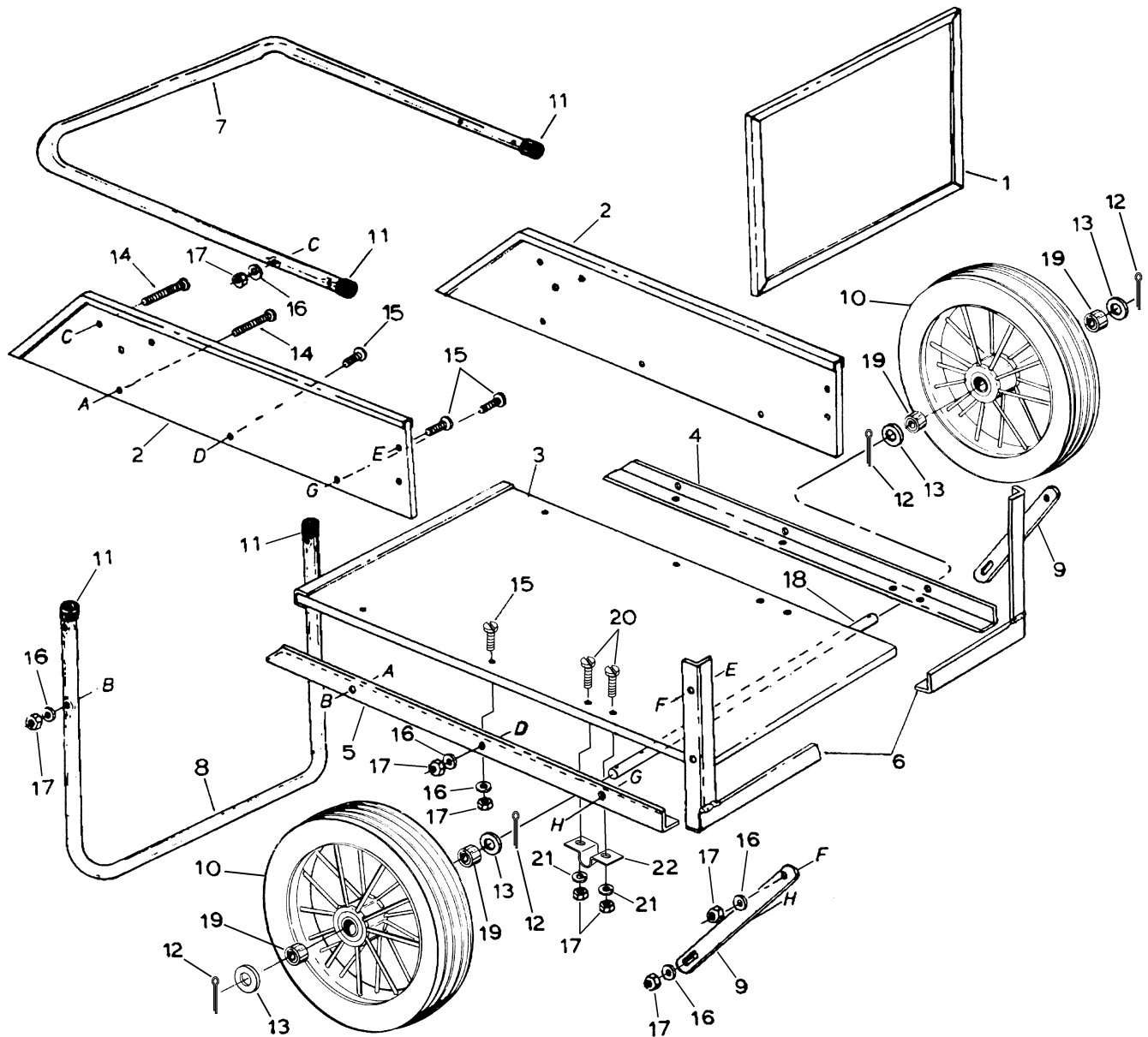
MAINTENANCE

1. Grease or oil wheel bearings occasionally. Use automotive wheel bearing type grease or 20 weight oil.
2. Periodically retighten all screws, especially after heavy use. Do not exceed load capacity rating of 300 lbs.
3. Clean cart thoroughly after each use.
4. Store indoors during severe weather.
5. Apply light coat of varnish to all wood surfaces annually.
6. Use glossy black enamel spray paint to touch up scratched or worn painted metal surfaces.

RECOMMENDED TIRE PRESSURE 35-40 PSI

MAXIMUM TIRE PRESSURE 40 PSI

MODEL 45-01763 7 CU. FT. FARM/YARD CART



REF. NO.	PART NO.	QTY.	DESCRIPTION	REF. NO.	PART NO.	QTY.	DESCRIPTION
1	47585	1	Front Panel	12	43010	4	Cotter Pin, 1/8" x 1-1/4" Lg.*
2	47586	2	Side Panel	13	43949	4	Flat Washer 25/32" I.D. x 1-1/2" O.D.
3	47587	1	Bottom Panel	14	47584	8	Truss Head Screws 1/4-20 x 2" Lg.*
4	24891	1	Side Angle, L.H.	15	44259	15	Truss Head Screws 1/4-20 x 1" Lg.*
5	24892	1	Side Angle, R.H.	16	43088	23	Flat Washer, 1/4" I.D.*
6	62529	1	Front Angle	17	43178	27	Hex Nut, 1/4-20 Thread *
7	44018	1	Handle Tube	18	24890	1	Axle
8	44019	1	Leg Tube	19	44016	4	Bearing, Ball 3/4" I.D.
9	23606	2	Support Strap	20	44020	4	Truss Head Screws 1/4-20 x 1-1/4" Lg.*
10	48312	2	Wheel Assembly Complete w/Bearings (20")	21	43177	4	Lock Washer, 1/4" *
11	44021	4	Tube Caps	22	23917	2	Axle Clamp
				48325	1	Owner's Manual	

*Purchase Common Hardware Locally.

AGRI-FAB® LIMITED WARRANTY

WHO IS COVERED: This Warranty covers only the original retail purchaser of an AGRI-FAB® product or part. It is not transferable.

HOW LONG DOES COVERAGE LAST: This Warranty remains in force for 1 year from the date of purchase.

WHAT IS COVERED: Any defect in material or workmanship of your AGRI-FAB® product or part.

WHAT IS NOT COVERED:

1. This warranty does not apply to the engine or components parts thereof. Please refer to the applicable manufacturer's warranty on these items
2. Transportation charges for the movement of any power equipment unit or attachment are the responsibility of the purchaser. Transportation charges for any parts submitted for replacement under this warranty must be paid by the purchaser unless such return is requested by AGRI-FAB®.
3. This Warranty applies only to products, which have been properly assembled, adjusted, operated, and maintained in accordance with the instructions furnished. This Warranty does not apply to any product, which has been subjected to alteration, misuse, abuse, improper assembly or installation, delivery damage, or to normal wear of the product.
4. Exclusions: Excluded from this Warranty are belts, blades, blade adapters, normal wear, normal adjustments, standard hardware and normal maintenance.
5. AGRI-FAB® does not extend any warranty for products sold or exported outside of the United States of America, its possessions and territories, except those sold through AGRI-FAB's authorized channels of export distribution.

WHAT AGRI-FAB® WILL DO: Repair or replace your AGRI-FAB® product or part.

HOW TO GET SERVICE: Deliver the AGRI-FAB® product or part to AGRI-FAB's local authorized service dealer or distributor. If you do not know the dealer or distributor in your area, please write to the Customer Service Department of AGRI-FAB, Inc. at P.O. BOX 903, SULLIVAN, ILLINOIS 61951. The return of a product or part to AGRI-FAB® will not be accepted unless prior written permission has been extended by AGRI-FAB®.

THE DURATION OF ANY IMPLIED WARRANTY OF MERCHANTABILITY IS LIMITED TO THE DURATION OF THE ABOVE EXPRESS WARRANTY. THE REMEDIES PROVIDED IN THIS LIMITED WARRANTY ARE THE CUSTOMER'S SOLE AND EXCLUSIVE REMEDIES. EXCEPT FOR THE OBLIGATIONS SPECIFICALLY SET FORTH IN THIS LIMITED WARRANTY, IN NO EVENT SHALL AGRI-FAB® BE LIABLE FOR INCIDENTAL OR CONSEQUENTIAL DAMAGES, WHETHER BASED ON CONTRACT, TORT, OR ANY OTHER LEGAL THEORY. Some states do not allow limitations on how long an implied warranty lasts, or the exclusion or limitation of incidental or consequential damages, so the above limitations may not apply to you.

This Warranty gives you specific legal rights, and you may also have other rights, which vary from state to state. Agri-Fab, Inc., 303 West Raymond St., Sullivan, Illinois 61951 - (217) 728-8388 - www.Agri-Fab.com

REPAIR PARTS
303 West Raymond
Sullivan, IL. 61951
217-728-8388
www.agri-fab.com