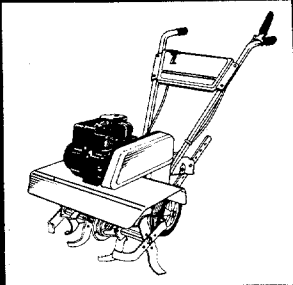


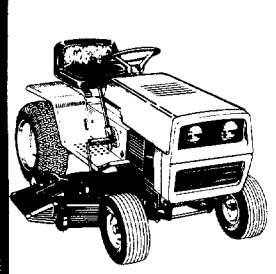
OWNER'S GUIDE

OUTDOOR POWER EQUIPMENT
for all seasons

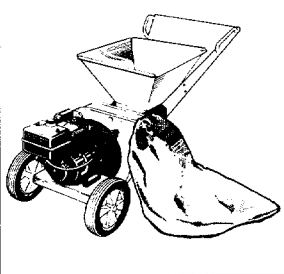
Spring



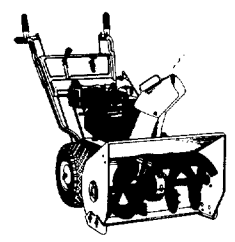
Summer



Fall



Winter



22" REAR DISCHARGE ROTARY MOWER

Model Number
126-374-000

Important:
Read Safety Rules and
Instructions Carefully

Thank you for purchasing
an American-built product.

INDEX

Safe Operation Practices	3	Maintenance	13
Assembly	4	Off-Season Storage	16
Controls	9	Trouble Shooting Chart	18
Operation	10	Illustrated Parts	20, 22
Adjustments	12	Repair Parts Lists	21, 23
Lubrication	12	Parts Information	Back Cover



Instructions given with this symbol are for personal safety. Be sure to follow them.

LIMITED WARRANTY

For one year from the date of original retail purchase, MTD PRODUCTS INC will either repair or replace, at its option, free of charge, F.O.B. factory or authorized service firm, any part or parts found to be defective in material or workmanship. Transportation charges for the movement of any power equipment unit or attachment are the responsibility of the purchaser. Transportation charges for any parts submitted for replacement under this warranty must be paid by the purchaser unless such return is requested by MTD PRODUCTS INC.

This warranty will not apply to any part which has become inoperative due to misuse, excessive use, accident, neglect, improper maintenance, alterations, or unless the unit has been operated and maintained in accordance with the instructions furnished. This warranty does not apply to the engine, motor, battery, battery charger or component parts thereof. Please refer to the applicable manufacturer's warranty on these items.

This warranty will not apply where the unit has been used commercially.

Warranty service is available through your local authorized service dealer or distributor. If you do not know the dealer or distributor in your area, please write to the Customer Service Department of MTD.

The return of a complete unit will not be accepted by the factory unless prior written permission has been extended by MTD.

This warranty gives you specific legal rights. You may also have other rights which vary from state to state.



WARNING

This unit is equipped with an internal combustion engine and should not be used on or near any unimproved forest-covered, brush-covered or grass-covered land unless the engine's exhaust system is equipped with a spark arrester meeting applicable local or state laws (if any). If a spark arrester is used, it should be maintained in effective working order by the operator.

In the State of California the above is required by law (Section 4442 of the California Public Resources Code). Other states may have similar laws. Federal laws apply on federal lands. A spark arrester muffler is available at your nearest engine authorized service center.



WARNING

To reduce the potential for any injury, comply with the following safety instructions. Failure to comply with the instructions may result in personal injury.

SAFE OPERATION PRACTICES FOR WALK-BEHIND MOWERS

TRAINING

1. Read this owner's manual carefully in its entirety before attempting to assemble or operate this machine. Be completely familiar with the controls and the proper use of this machine before operating it. Keep this manual in a safe place for future and regular reference and for ordering replacement parts.
2. Your rotary mower is a precision piece of power equipment, not a plaything. Therefore, exercise extreme caution at all times.
3. Never allow children to operate a power mower. Only persons well acquainted with these rules of safe operation should be allowed to use your mower.
4. No one should operate this unit while intoxicated or while taking medication that impairs the senses or reactions.
5. Keep the area of operation clear of all persons, particularly small children and pets. Stop engine when they are in the vicinity of your mower. Although the area of operation should be completely cleared of foreign objects, an object may have been overlooked and could be accidentally thrown by the mower in any direction and cause serious personal injury to the operator or any others allowed in the area.

PREPARATION

1. Thoroughly inspect the area where the equipment is to be used. Remove all stones, sticks, wire, bones and other foreign objects which could be picked up and thrown by the mower in any direction and cause serious personal injury to the operator or any others allowed in the area.
2. Do not operate equipment when barefoot or wearing open sandals. Always wear substantial footwear.
3. Do not wear loose fitting clothing that could get caught on the mower.
4. Check the fuel before starting the engine. Gasoline is an extremely flammable fuel. Do not fill the gasoline tank indoors, while the engine is running, or while the engine is still hot. Replace gasoline cap securely and wipe off any spilled gasoline before starting the engine as it may cause a fire or explosion.
5. Disengage the self-propelled mechanism or drive clutch on units so equipped before starting the engine.
6. The blade control handle is a safety device. Never attempt to bypass its operation. Doing so makes the safety device inoperative and may result in personal injury through contact with the rotating blade. The blade control handle must operate easily in both directions.
7. Never attempt to make a wheel or cutting height adjustment while the engine is running.
8. Mow only in daylight or in good artificial light.
9. Never operate the equipment in wet grass. Always be sure of your footing. A slip and fall can cause serious personal injury. Keep a firm hold on the handle and walk, never run.

10. Always wear safety glasses or eye shields during operation or while performing an adjustment or repair, to protect eyes from foreign objects that may be thrown from the machine in any direction.

OPERATION

1. Do not change the engine governor settings or over-speed the engine. Excessive engine speeds are dangerous.
2. Do not put hands or feet near or under rotating parts. Keep clear of the discharge opening at all times as the rotating blade can cause injury.
3. Stop the blade when crossing gravel drives, walks or roads.
4. After striking a foreign object, stop the engine, remove the wire from the spark plug, and thoroughly inspect the mower for any damage. Repair the damage before restarting and operating the mower.
5. If the equipment should start to vibrate abnormally, stop the engine and check immediately for the cause. Vibration is generally a warning of trouble.
6. Shut the engine off and wait until the blade comes to a complete stop before removing the grass catcher or unclogging the chute. The cutting blade continues to rotate for a few seconds after the engine is shut off. Never place any part of the body in the blade area until you are sure the blade has stopped rotating.
7. Before cleaning, repairing or inspecting, make certain the blade and all moving parts have stopped. Disconnect the spark plug wire, and keep the wire away from the spark plug to prevent accidental starting.
8. Do not run the engine indoors.
9. Mow across the face of slopes, never up-and-down. Exercise extreme caution when changing direction on slopes. Do not mow excessively steep slopes. Always be sure of your footing. A slip and fall can cause serious personal injury.
10. Always disconnect electric mowers (line operated) before cleaning, repairing or adjusting.
11. Never operate mower without proper guards, plates or other safety protective devices in place.
12. **DO NOT OPERATE** this mower with the chute door open, unless the complete grass catcher is properly mounted on the mower.

MAINTENANCE AND STORAGE

1. Check the blade and engine mounting bolts at frequent intervals for proper tightness.
2. Keep all nuts, bolts, and screws tight to be sure the equipment is in safe working condition.
3. Never store the equipment with gasoline in the tank inside of a building where fumes may reach an open flame or spark. Allow the engine to cool before storing in any enclosure.
4. To reduce fire hazard, keep the engine free of grass, leaves, or excessive grease.
5. Check the grass catcher bag frequently for wear or deterioration. For safety protection, replace only with new bag meeting original equipment specifications.

SAFE OPERATION PRACTICES (Continued)

BLADE BRAKE/CLUTCH MAINTENANCE

NOTE: Any required repair work on the blade brake/clutch should be performed by an authorized service dealer. If you cannot locate an authorized service dealer, contact the manufacturer as set forth on your copy of the Owner's Registration Card.

1. The blade brake/clutch hand control is a safety device. Never attempt to bypass its operation. Doing so makes the safety device inoperative and may result in personal injury through contact with the rotating blade. This hand control must operate freely in both directions.
2. Striking a solid object can cause damage to the blade brake/clutch or to the engine crankshaft. Extensive vibration of the mower during operation is

an indication of damage and the unit should be promptly inspected and repaired.

3. A leak in the lower engine crankshaft oil seal could expose the blade brake/clutch friction pads to excess oil resulting in blade or brake slippage, which could increase the stopping time of the blade. Oil collection on the floor beneath the mower during storage may be an indication of an oil seal leak. The unit should be checked by an authorized service dealer.
4. Periodically inspect the inner control cable in the area where it attaches to the hand control. If the cable becomes frayed, it could cause the blade brake/clutch to operate improperly. Also, be careful to avoid pinching the blade brake/clutch control cable when storing the handle.



This unit is shipped WITHOUT GASOLINE or OIL. After assembly, see separate engine manual for proper fuel and engine oil recommendations.

ASSEMBLY



Reference to left or right side of machine is determined from operator's position at the handle facing forward.

Contents of Hardware Pack: (See figure 1)

- A (2) Curved Head Carriage Bolts 1.38" Long
- B (2) Lock Washers 5/16" I.D.
- C (2) Hex Nuts 5/16-18 Thread
- D (2) Phillips Head Screws
- E (1) Plastic Cap
- F (2) Cable Ties (Not Shown)
- G (2) Hairpin Cotter
- I (1) Plastic Plug (May Be Already Assembled)
- J (1) Push Cap
- K (1) Cable Clamp (Not Shown)
- L (2) Front Hub Caps (Optional—Not Shown)

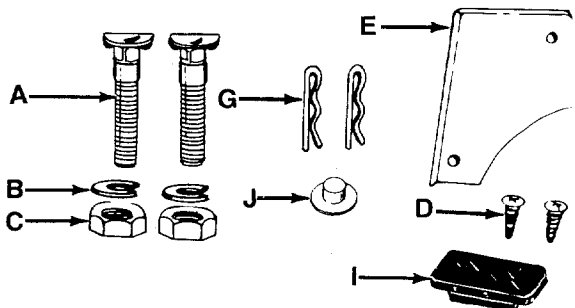


FIGURE 1.

1. Remove the lawn mower, loose parts, hardware pack and literature from the carton. Make certain all parts and literature have been removed before the carton is discarded.
2. Extend all control cables and place on the floor. Be careful not to bend or kink control cables.
3. A plastic strap secures the height adjustment handle, located on the left side of the deck, to the handle mount bracket for shipping purposes. Cut and remove the plastic strap.

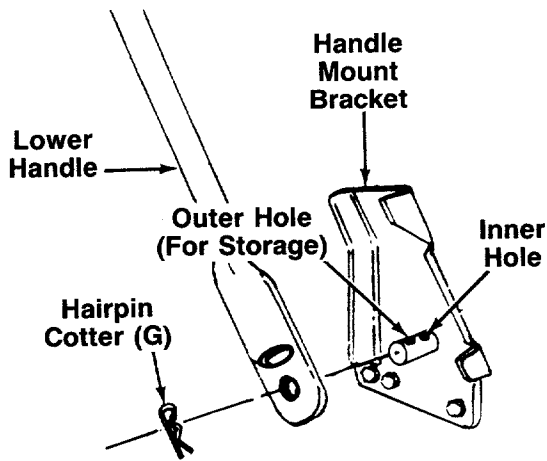


FIGURE 2.

- Place lower handle in position over weld pins in handle mount brackets on deck. Make certain the instruction label on the lower handle can be read from the operating position. Secure by placing two hairpin cotters (G) in inner hole on weld pins. See figure 2.

NOTE

It may be necessary to bend the ends of the lower handle inward slightly to obtain a snug fit against the bracket.

NOTE

There are two (2) holes in the handle mount brackets. Place hairpin cotter in the inner hole for operation. The outer hole is for storage.

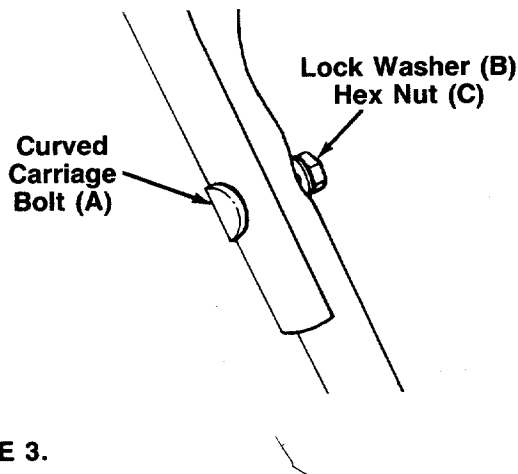


FIGURE 3.

- Place upper handle in position over lower handle. Control housing should be on the left side of the handle. Secure upper handle with two curved carriage bolts (A), lock washers (B) and hex nuts (C). See figure 3.

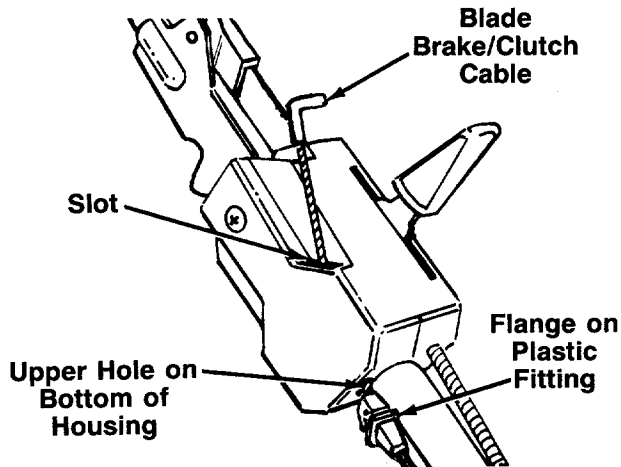


FIGURE 4.

- The blade brake/clutch cable is the cable which has a "L" fitting on the loose end, and is attached to the blade brake/clutch underneath the deck. Route the blade brake/clutch cable inside the handle mount bracket and under the lower handle. Place end of cable into the upper hole on the bottom of the control housing, and through the slot on the side of the housing as shown. The angle of the flange on the plastic fitting must be positioned downward as shown in figure 4. Be careful not to bend or kink the cable.



The cable must be assembled as shown for proper blade brake/clutch operation.

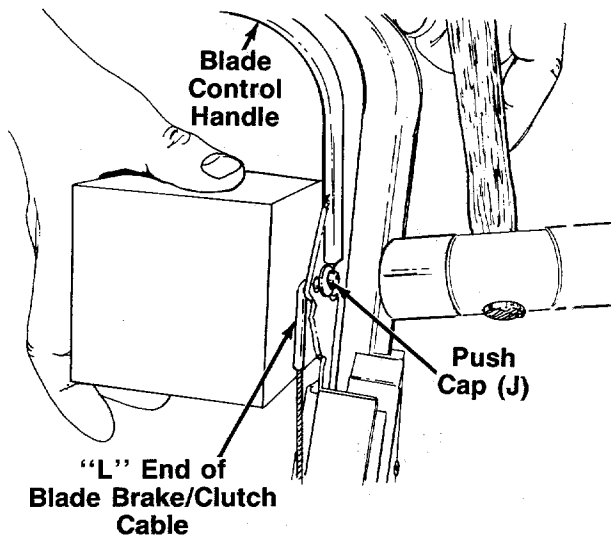


FIGURE 5.

7. Snap the plastic fitting on the end of the cable into the control housing.
8. Insert the "L" end of the blade/brake clutch cable into the hole in the blade brake/clutch control handle. Press push cap (J) onto the end of the cable by hand. Then tap push cap on securely, using a hammer and a block of wood as shown in figure 5.

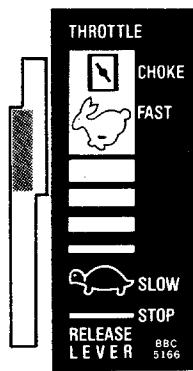


FIGURE 6.

9. Move throttle control lever on handle forward until it stops in FAST position. (**Do not** push all the way forward to CHOKE position.) See figure 6.

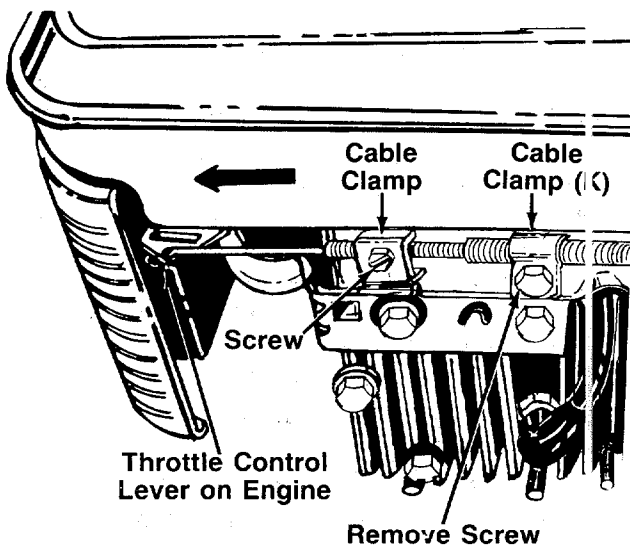


FIGURE 7.

10. The throttle control cable is attached to the upper handle. Route the throttle control cable under the lower handle and inside the handle mount bracket. Hook the "Z" end of the throttle control cable into the hole in the control lever on the engine.
11. Using a 7/16" wrench, remove the screw on the engine shown in figure 7.
12. Remove the screw on the cable clamp shown in figure 7. Slip the control casing under the clamp. Replace the screw, but do not tighten (cable must still move freely beneath the clamp).
13. Slide the throttle control lever on the engine as far toward the **outside** of the engine as it will go **easily** (just until resistance is felt) as shown in figure 7. (**Do not** force it into the extreme outside position, which is the CHOKE position). Tighten the screw to secure the throttle control cable in this position.
14. Loosen the screw on the clamp on the side of the engine. Slip the cable casing under the clamp to secure the cable **away from the muffler**. Be careful not to bend or kink the cable. Tighten the screw.
15. Secure cable casing to the front of engine with cable clamp (K) provided in hardware pack and screw removed from engine in step 11.

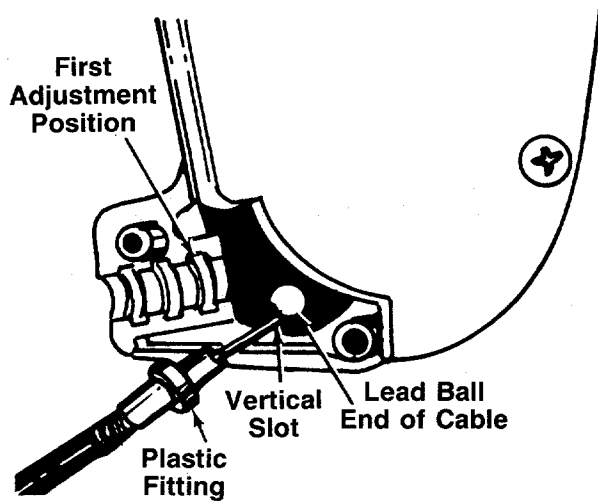


FIGURE 8.

16. The drive clutch control cable is attached to the deck. Attach the cable to the lever in the clutch control housing, located in the middle of the upper handle, as follows.
 - a. Place the lead ball end of the cable into the fitting provided in the end of the clutch control lever. Slip the braided wire into the vertical slot as shown in figure 8.

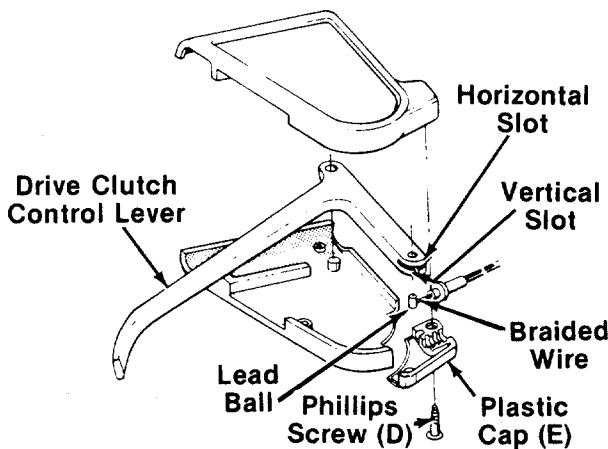


FIGURE 9.

- b. Slide the braided wire around in the horizontal slot. See figure 9.
 - c. Place the plastic fitting on the control cable into the first adjustment position in the clutch control housing. See figure 8.
 - d. Secure the plastic cap (E) to the clutch control housing using the two Phillips head screws (D). See figure 9.



Drive clutch adjustment must be checked before the unit is operated, as described in the operation section.

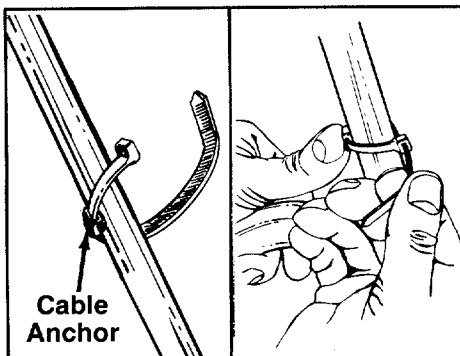


FIGURE 10.

17. Secure all control cables to the left side of the handle as follows.
 - A. Insert cable anchors on cable ties (F) into holes provided on the inside of the lower handle, one near the top and one near the bottom of lower handle. See figure 10A.
 - B. Secure the cables with the cable ties. See figure 10B.
 - C. Cut off excess ends of cable ties.
18. If plastic plug is not already assembled, insert plastic plug (I) into hole in the top rear of the deck by slipping one end of plug into hole, then pressing down on the other end of plug.
19. Check **all** nuts and bolts for correct tightness.

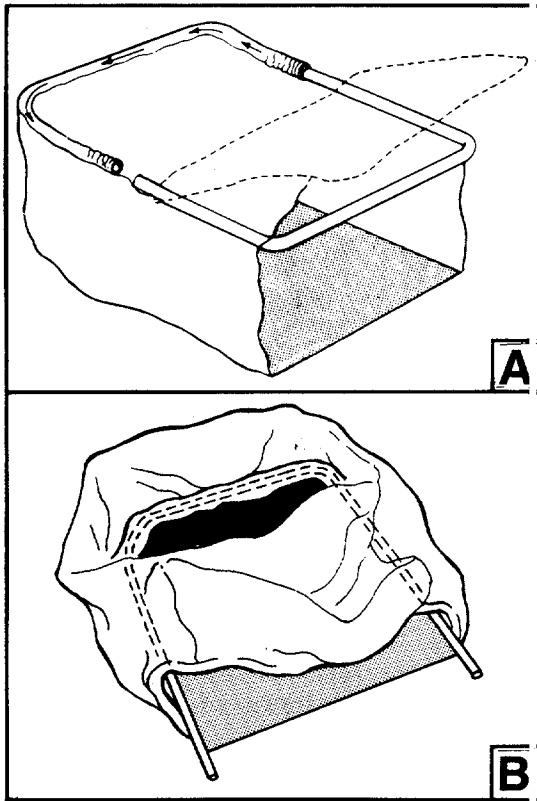


FIGURE 11—Bag with Flip Top Opening.

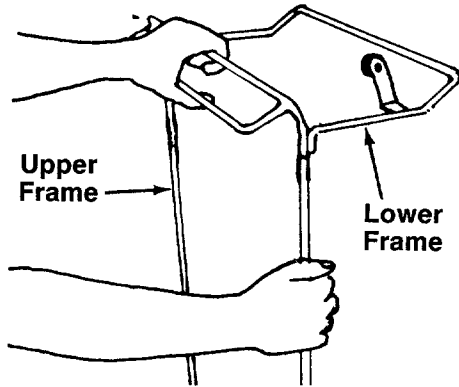


FIGURE 12.

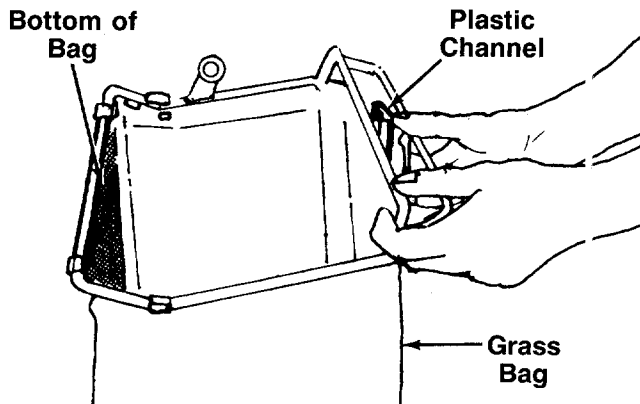


FIGURE 13.

Grass Catcher Assembly

There are two different types of grass bags, bags with and without flip top openings. Follow the instructions which pertain to your unit.

1. Grass Bags with Flip Top Opening:

- a. Attach bag to rear frame by inserting one end of frame into pocket from inside bag. See figure 11A.
- b. Thread all material on one side of frame before working it around the frame.
- c. After threading, both ends of frame should be inside of bag. See figure 11B.



2. Join the upper frame and lower frame assembly as shown in figure 12.



3. Grass bags without Flip Top Opening: Place bag over frame (black plastic side is the bottom of bag). Upper frame goes to the top of bag.
4. Secure bag to frame by slipping plastic channels on bag over frame. See figure 13.
5. Grass Bags with Flip Top Opening: Close top of bag by stretching loose material over the end of the frame.



WARNING

Never operate the mower with the bag open.

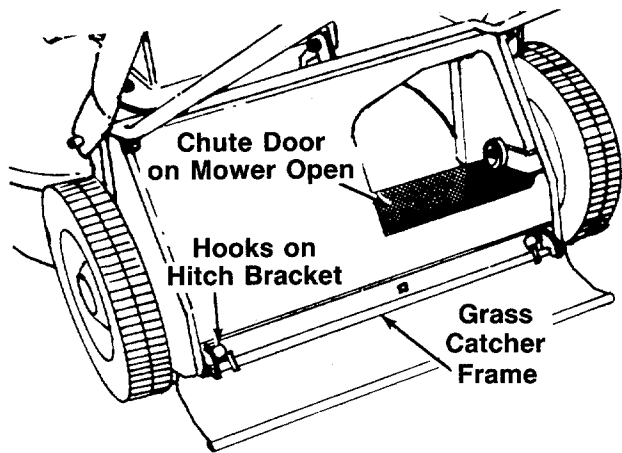


FIGURE 14.

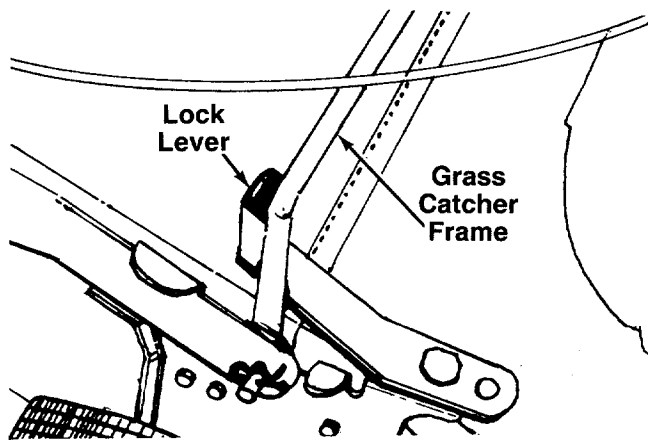


FIGURE 15.

To Attach Bag To Mower



WARNING

DO NOT operate the mower with the chute door open unless the complete grass catcher is properly mounted on the mower.

1. Attach the grass catcher frame to grass catcher hitch bracket on rear of the mower by hooking grass catcher into hooks on grass catcher hitch bracket. See figure 14.
2. Lift the rear of grass catcher up. The roller on the grass catcher will push the chute door on the mower open. See figure 14.



NOTE

Figure 14 is shown with the chute door open for photo clarity only.

The grass catcher frame will snap into place, secured by the lock lever. See figure 15.

To remove the grass catcher, unhook the lock lever and slip the grass catcher off the unit. See figure 15.

CONTROLS

THROTTLE CONTROL

The throttle is located on the left side of handle. It controls engine speed. See figure 16.

DRIVE CLUTCH CONTROL

Squeezing the drive clutch control engages the drive mechanism to the rear wheels. Releasing the clutch control stops the rear wheels from driving. Release the drive clutch control to slow down when negotiating an obstacle, making a turn or stopping. See figure 16.

WARNING
THIS CONTROL MECHANISM IS A SAFETY DEVICE NEVER ATTEMPT TO BYPASS ITS OPERATIONS

BLADE BRAKE/CLUTCH CONTROL

The blade brake/clutch control is located on the upper handle of the mower. The blade brake/clutch handle engages and disengages the blade.

To engage the blade, pull the side release lever away from the unit. See figure 16. Pull the blade brake/clutch control handle against the upper handle. Release side lever.

Release the blade brake/clutch control handle to stop the blade from turning.

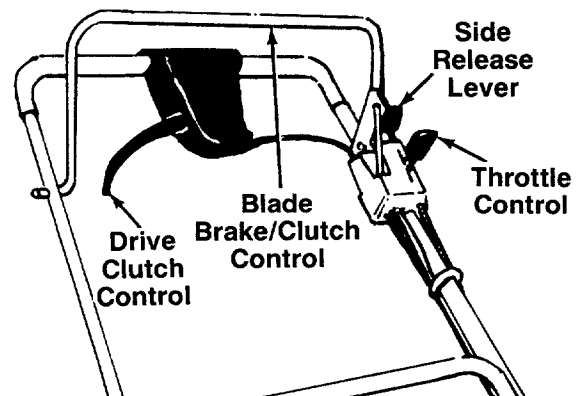


FIGURE 16.

HEIGHT ADJUSTMENT HANDLE

The height adjustment handle is located on the left side of the deck. The handle may be placed in one of five cutting height positions. Push the handle to the left and then either forward or backward to raise or lower the cutting height. See figure 17.

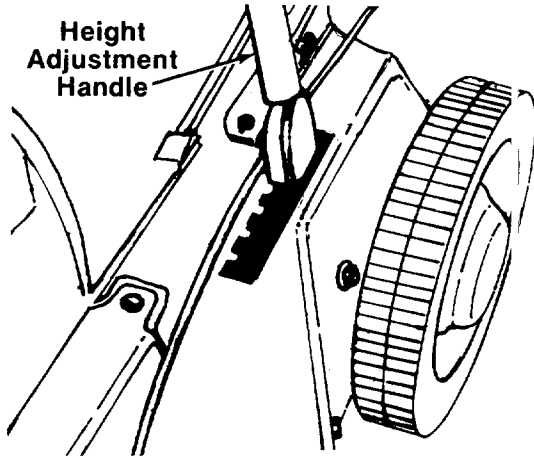


FIGURE 17.

OPERATION



FIGURE 18.

Keep hands and feet away from the chute area of cutting deck. See figure 18.



For shipping purposes your mower is set with the wheels in the highest cutting height position. For best results raise the cutting position until it is determined which height is best for your lawn. See control section.

BEFORE STARTING

1. Fill sump with oil as instructed in the separate engine manual packed with your unit.
2. Fill fuel tank, using clean, fresh, lead-free, low-lead or regular grade leaded gasoline. Fill tank completely!

DO NOT MIX OIL WITH GASOLINE.

3. Attach spark plug wire to spark plug.
4. Open fuel shut-off valve, located beneath the fuel tank. See figure 19.

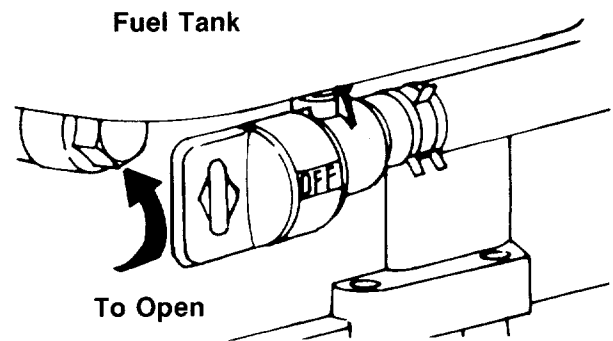


FIGURE 19.

5. Before each use, check for proper drive clutch operation by performing the following before starting the engine:

With the drive clutch control released, push mower forward. It should move freely. **Pull mower backward. It should move freely.**

If it does not and the rear wheels tend to lock up, the clutch may not be releasing completely. Do not start the engine until corrections have been made. Check the control cable for severe bend, kinks and binding, or grass build-up in the pulley groove. Correct and adjust as required.

TO START ENGINE



When starting the unit for the first time, face the mower against a solid object such as a wall, fence, etc. Start the unit, and if it shows any signs of motion with the drive clutch control disengaged, shut the engine off immediately. Check the position of the drive clutch control cable. The plastic fitting must be assembled in the first adjustment position inside the housing, all the way to the right, as shown in figure 8.

1. Move throttle control lever to CHOKE position.
2. With the blade brake/clutch handle **released**, crank engine by pulling recoil starter with a quick firm pull. Do not pull out so far that rope stops with a jerk as this will cause rope failure. Do not allow rope and handle to snap back into place.
3. After engine starts, move throttle control to desired engine speed.

TO STOP ENGINE

1. Move throttle control lever to STOP position.
2. Disconnect spark plug wire from spark plug and ground against the engine to prevent accidental starting while equipment is unattended.

TO ENGAGE THE BLADE

1. Start engine as instructed above. Allow the engine to warm up for **one minute** before attempting to engage the blade.
2. To engage the blade, pull the side release lever away from the unit. Pull the blade brake/clutch control handle down against the upper handle. Release the side lever. See figure 16.



NOTE

If a warm engine falters or stalls when attempting to engage the blade, refer to Carburetor Adjustment Section of this owner's manual.

3. Release the blade brake/clutch control handle to stop the blade from turning.



NOTE

Always release the blade brake/clutch control handle before stopping the engine. If the engine begins to stall, release the blade brake/clutch control handle immediately.

Should the engine stall with the blade brake/clutch control in the operating position (control handle **not** released), difficulty may be encountered in pulling the starter rope to restart the engine. Proceed as follows.

1. Disconnect the spark plug wire from the spark plug.
2. Move the throttle lever to STOP position.
3. Hold the blade brake/clutch control in the engaged position.
4. While holding the blade brake/clutch control handle in this position, pull the starter rope.
5. As the starter rope is being pulled, release the blade brake/clutch control handle.

The starter rope should now operate correctly. Reconnect the spark plug wire for normal operation.

USING YOUR ROTARY MOWER



DO NOT operate the mower with the chute door open unless the complete grass catcher is properly mounted on the mower.

Be sure that lawn is clear of stones, sticks, wire, or other objects which could damage lawn mower or engine. Such objects could be accidentally thrown by the mower in any direction and cause serious personal injury to the operator and others.

Operate a new engine at intermediate speeds and light load for the first few hours as you would a new automotive engine.

For the best results, do not cut wet grass because it tends to stick to the underside of the mower, preventing proper discharge of grass clippings, and could cause you to slip and fall. New grass, thick grass or wet grass may require a narrower cut. Blade speed should be adjusted to the condition of the lawn.

For best results, cut off one-third or less of the total length of the grass. Lawn should be cut in the fall as long as there is growth.

This mower is designed to be operated at full throttle to give you the best cut and do the most effective job of bagging the cut grass.



IMPORTANT

If you strike a foreign object, stop the engine. Remove wire from spark plug, thoroughly inspect the mower for any damage, and repair the damage before restarting and operating the mower.

Striking a solid object can cause damage to the blade brake/clutch or to the engine crankshaft. Extensive vibration of the mower during operation is an indication of damage. The unit should be promptly inspected and repaired.

ADJUSTMENTS



WARNING

Do not at any time make any adjustment to lawn mower without first stopping engine and disconnecting spark plug wire.

DRIVE CLUTCH CONTROL ADJUSTMENT

If the unit does not self-propel with the drive clutch control engaged, remove the plastic cap from beneath the drive clutch control housing. Move the plastic fitting on the control cable to the next adjustment position on the left. Reassemble the plastic cap and retest. See figure 20.

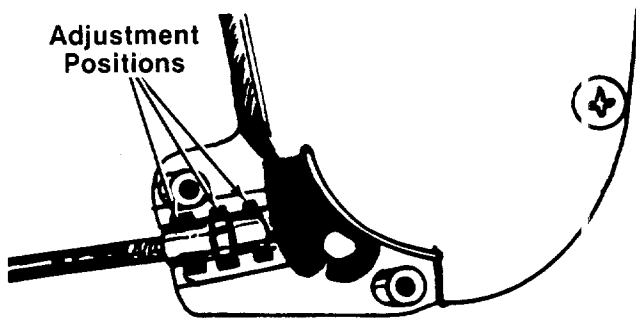


FIGURE 20.

THROTTLE

The throttle control wire assembly can be adjusted if necessary. Refer to steps 9 through 13 of Assembly Instructions.

CARBURETOR ADJUSTMENTS



WARNING

If any adjustments are made to the engine while the engine is running (e.g. carburetor), disengage all clutches and blades. Keep clear of all moving parts. Be careful of heated surfaces and muffler.

Minor carburetor adjustments may be required to compensate for differences in fuel, temperature, altitude and load. Refer to the separate engine manual packed with your mower.



NOTE

If a warm engine falters or stalls when attempting to engage the blade, the carburetor mixture should be adjusted 1/8 turn richer (counterclockwise). See figure 21.

The carburetor should be adjusted with the air cleaner in place and the blade control handle in the blade disengaged position.

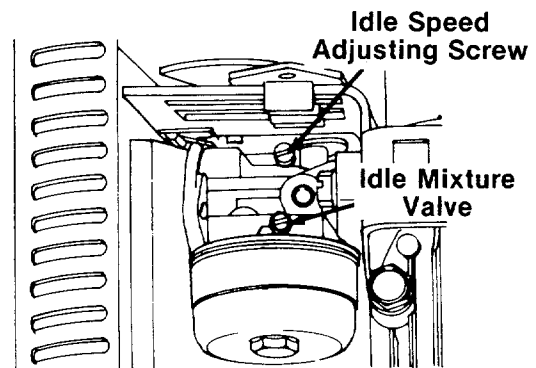


FIGURE 21.

LUBRICATION



WARNING

Always stop engine and disconnect spark plug wire before cleaning, lubricating or doing any kind of work on lawn mower.

Blade Brake/Clutch—Lubricate the pivot points on the blade brake/clutch handle and the cable at least once a season with light oil. The control must operate freely in both directions. See figure 22.

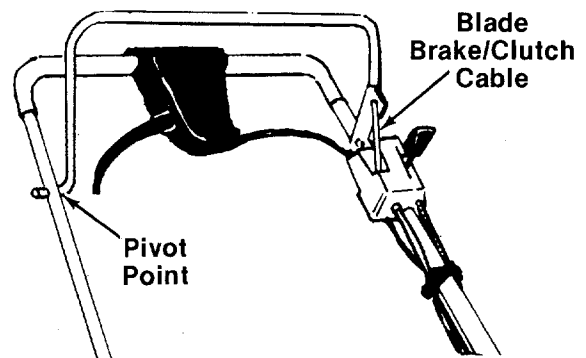


FIGURE 22.

Discharge Chute Door Mechanism—The torsion spring and pivot point should be lubricated periodically with light oil to prevent any rust or binding. Door must work freely.

Wheels—Mower may be provided with ball bearing wheels. Lubricate at least once a season with light oil. Also, if the wheels are removed for any reason, lubricate the surface of the axle bolt and the inner surface of the wheel with light oil. A 4 oz. plastic bottle of light oil lubricant is available. Order part number 737-0170. Engine oil may also be used.

Engine—Follow engine manual for lubrication instructions.

Throttle—Periodically lubricate throttle control lever and throttle wire assembly with a few drops of light oil for ease of operation.

Chain—Periodically lubricate the chain with appropriate chain lubricant. A stiff or rusted chain can be restored by removing the master link, soaking the chain in kerosene or a solvent, letting it air dry and wiping the chain with a rag saturated with lubricant.

If the rotary mower is operated in a sandy area, the chain should not be lubricated with oil. Excessive oil on a chain will collect dirt and cause excessive wear on the chain and sprockets.

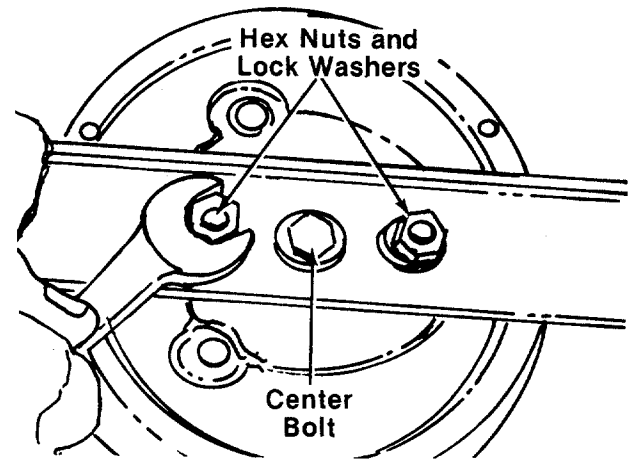


FIGURE 23.

When sharpening the blade, follow the original angle of grind as a guide. It is **extremely important** that each cutting edge receives an equal amount of grinding to prevent an unbalanced blade. An unbalanced blade will cause excessive vibration when rotating at high speeds, may cause damage to the mower and could break, causing personal injury.

The blade can be tested for balance by balancing it on a round shaft screwdriver. Remove metal from the heavy side until it balances evenly.

When replacing the blade, be sure to install the blade with the side of the blade marked "Bottom" (or with part number) facing the ground when the mower is in the operating position.

Blade Mounting Torque

Make certain that the center bolt which secures the blade brake/clutch and the two hex nuts which secure the blade are tightened to between 350 inch pounds (minimum) and 600 inch pounds (maximum).

To insure safe operation of your unit, ALL nuts and bolts must be checked periodically for correct tightness.

DECK

The underside of mower deck should be cleaned after each period of use as grass clippings, leaves, dirt and other matter will accumulate. This accumulation of grass clippings, etc., is undesirable as it will invite rust and corrosion and may cause an uneven discharge of grass clippings at the next cutting.

The deck may be cleaned by tilting the mower forward or on its side and scraping clean with a suitable tool or by washing with a stream of water from a garden hose.

MAINTENANCE



Be sure to disconnect and ground the spark plug wire before performing any repairs or maintenance.



When tipping the unit, empty the fuel tank and keep engine spark plug side up.

CUTTING BLADE

To remove the cutting blade for sharpening or replacement, remove the two hex nuts and lock washers which hold the blade to the blade brake/clutch. Protect hands by using heavy gloves or a rag to grasp the cutting blade. See figure 23.



Do not direct the stream of water at a hot engine as damage to the engine may result.

ENGINE OIL

Check oil level before starting and after every 5 hours of operation. ADD oil as necessary to keep level to full mark on dipstick. Before removing dipstick, clear area around dipstick to prevent dirt from entering oil fill opening. Engine should be in a level position when checking oil.

Change oil after first 5 hours of operation. Thereafter change every 25 hours. Change oil while engine is warm. Oil may be drained thru oil fill opening by tipping the unit on its side. Oil capacity 1¼ pints

AIR CLEANER

Service air cleaner every 25 hours under normal conditions. Clean every few hours under extremely dusty conditions. Poor engine performance and flooding usually indicates that the air cleaner should be serviced.

To service air cleaner, refer to the separate engine manual packed with your mower.

SPARK PLUG

The spark plug should be cleaned and the gap reset once a season. Spark plug replacement is recommended at the start of each mowing season; check engine manual for correct plug type and gap specifications.

BELT REMOVAL

1. Disconnect the wire from the spark plug and ground it.
2. Drain the fuel tank or place a piece of plastic film beneath the cap to prevent gasoline leakage.
3. Remove the two screws which hold the belt guard to the deck. See figure 24.

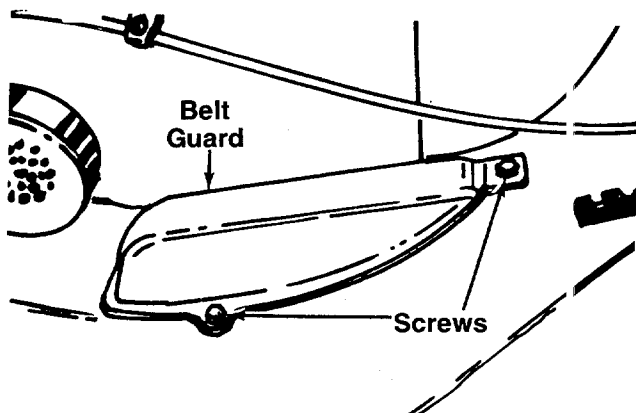


FIGURE 24.

4. Place the mower on its side.



Make sure that the mower is secure and cannot tip over.

5. Remove three self-tapping screws, and one carriage bolt, lock washer and hex nut from cover plate. See figure 25. Remove the cover plate.

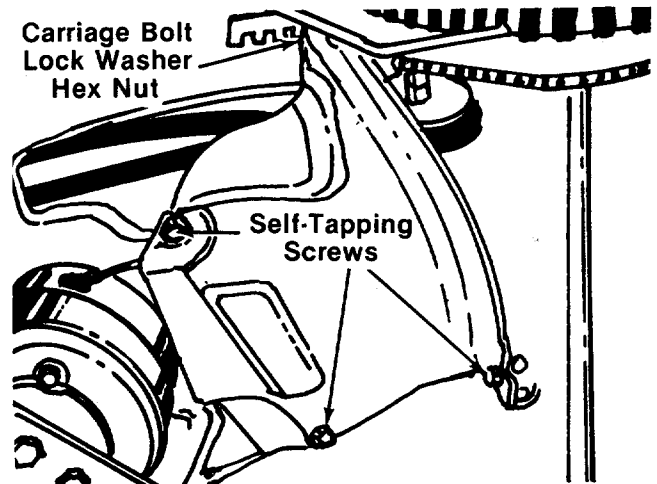


FIGURE 25.

6. Remove the belt from the idler pulley.
7. Remove the two self-tapping screws which hold the support bracket and idler bracket to the deck. See figure 26. A 7/16" wrench is required.

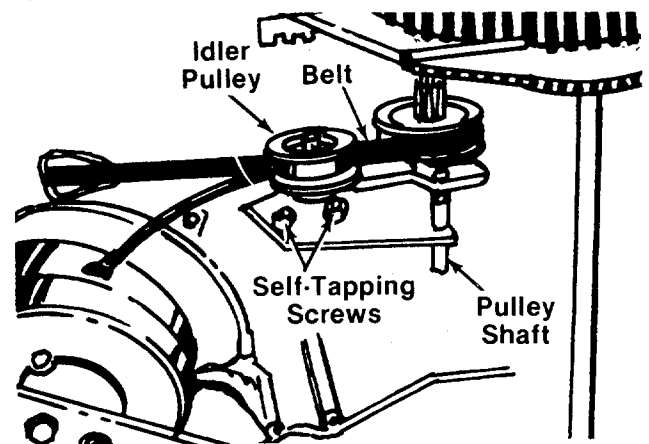


FIGURE 26.

8. Slide the support bracket and idler bracket (with idler pulley attached) off pulley shaft. See figures 26 and 27.
9. Remove belt as shown in figure 27. Reassemble in reverse order with new belt.

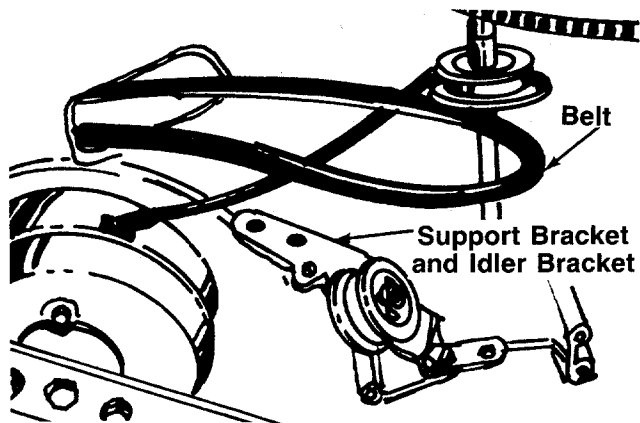


FIGURE 27.



When reassembling support bracket and idler bracket, be certain springs are hooked as shown in figure 28.

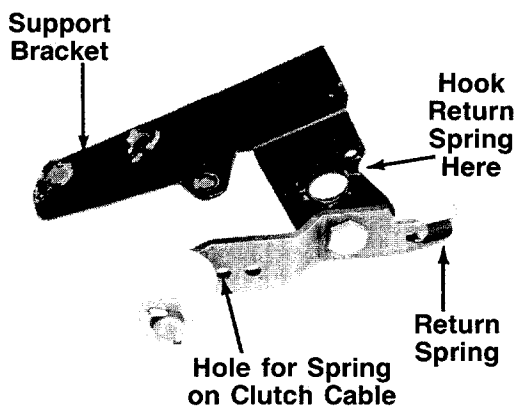


FIGURE 28.

BLADE BRAKE/CLUTCH

This unit is equipped with a blade brake/clutch. If for some reason the blade brake/clutch becomes inoperative, it is suggested that all repair work on the blade brake/clutch should be performed by an authorized service dealer. The unit should be inspected by an authorized service dealer if any of the following conditions are noticed.

1. Frayed clutch control cable.
2. Leaking oil seal (oil collection on the floor during mower storage).
3. Extensive vibration of the unit.

Blade Brake/Clutch Removal

1. Disconnect the spark plug wire and ground it against the engine block.

2. Empty fuel tank and drain oil from crankcase.
3. Remove the cable ties which secure control cables to the handle.
4. Disconnect the blade brake/clutch cable from the clutch control handle by removing the push cap, using a pair of pliers.



A new push cap is needed for re-assembly.

5. Remove two truss machine screws on the inside of the control housing as shown in figure 29.
6. Loosen the truss machine screw on the outside of the control housing until the two halves of control housing can be separated enough for the control cable to be freed. Slide the blade brake/clutch cable out of the control housing.
7. Retighten the truss machine screws on the control housing.

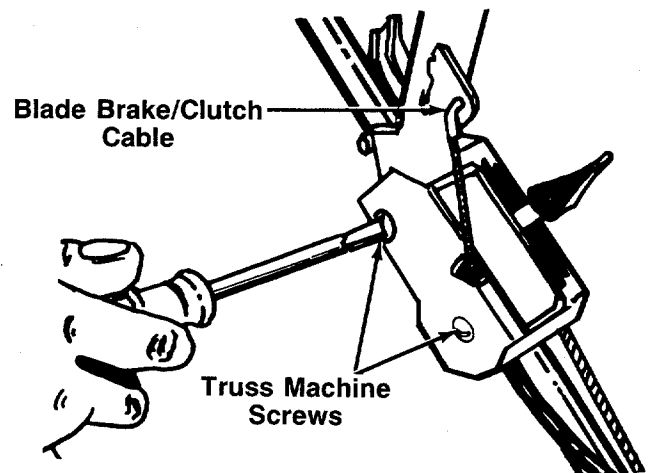


FIGURE 29.

8. Disconnect the throttle control cable from the engine by loosening screw on engine and disconnecting the "Z" fitting. Refer to figure 7.
9. Tip the mower on its side. Remove the blade by removing two hex nuts and lock washers. Refer to figure 23.



When reassembling, tighten hex nuts to between 350 and 600 in. lbs.

10. Remove the center bolt as follows.
 - a. Insert a screwdriver into the slot provided in the blade brake/clutch housing where the control cable enters housing. See figure 30.
 - b. Place a 9/16" wrench on the center bolt. Turn the wrench slowly until the screwdriver catches in a groove provided inside the clutch. The screwdriver will now keep the clutch from turning, and the center bolt, and two belleville washers may be removed.



Upon reassembly, be certain to tighten center bolt to between 350 and 600 in. lbs.

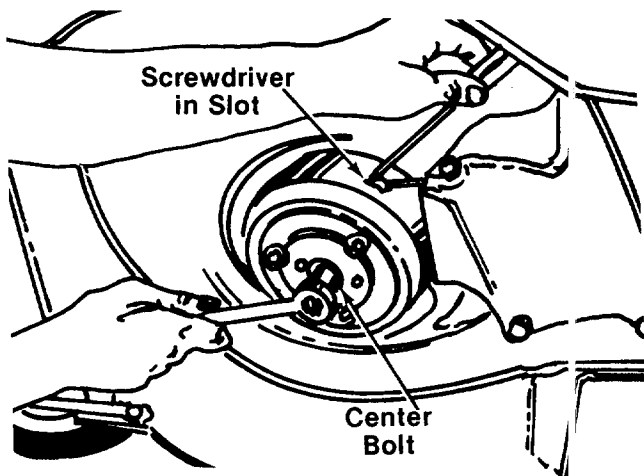


FIGURE 30.

11. Support the engine with one hand. Remove the three self-tapping screws which secure the deck and blade brake/clutch to the engine. A 1/2" socket wrench is required. See figure 31.

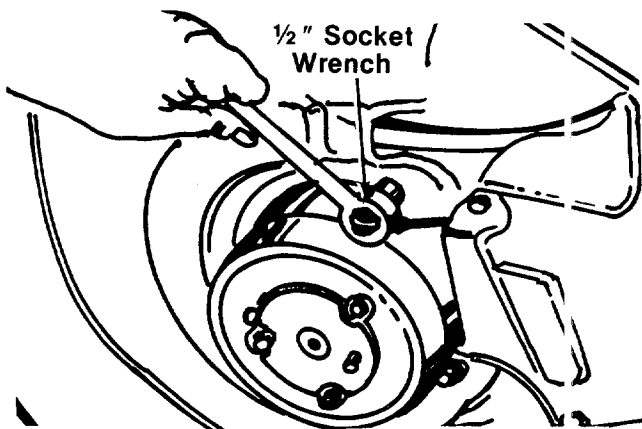


FIGURE 31.

12. Slide the blade brake/clutch cable through the hole in the deck as you lift off the engine and blade brake/clutch. Be careful not to kink control cable.
13. Remove blade brake/clutch from engine crankshaft.

Blade Brake/Clutch Installation

1. Place the new blade brake/clutch on engine crankshaft. Line up holes on blade brake/clutch with mounting holes on engine.
2. Place the two belleville washers onto crankshaft. Cupped side of washers must be against the blade brake/clutch. Secure with hex bolt finger tight only.
3. Place cable through engine mounting hole on deck.
4. Reverse steps 1 through 12 of preceding section for reassembly.

OFF-SEASON STORAGE

The following steps should be taken to prepare lawn mower for storage.

1. Clean and lubricate mower thoroughly as described in the lubrication instructions.
2. Refer to engine manual for correct engine storage instructions.
3. Coat mower's cutting blade with chassis grease to prevent rusting.
4. Store mower in a dry, clean area.



When storing any type of power equipment in an unventilated or metal storage shed, care should be taken to rustproof the equipment. Using a light oil or silicone, coat the equipment, especially the bearings and cables.

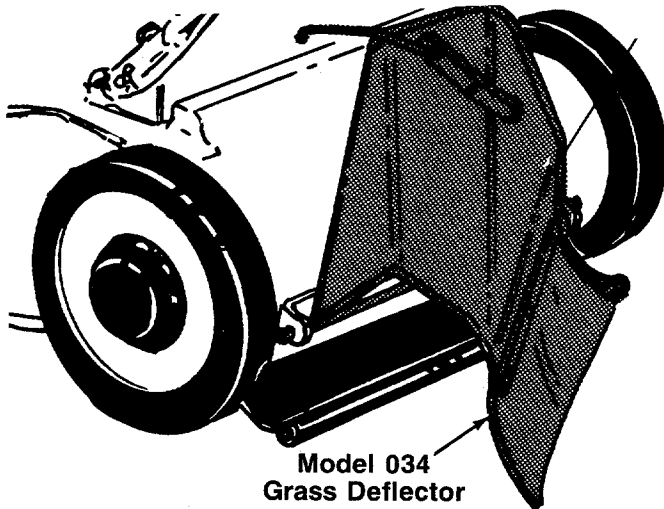
HANDLE STORAGE

The handle can be stored in an upright position to take less space. Move hairpin cotter to outer hole on weld pins (see figure 2). Grasp the lower handle at the bottom and pull apart slightly. Tip the handle forward. It will lock in this position. Reverse this procedure to place the handle in the operating position.



NOTE

Be careful not to kink or pinch blade brake/clutch cable when storing the handle.



Grass Deflector model 196-034-000 is available as optional equipment.



NOTE

The use of any accessory on this Rotary Mower other than those manufactured by the mower manufacturer is **not** recommended.

GRASS CATCHER Model 028 is available as replacement equipment for the mower shown in this manual.



WARNING

1. DO NOT operate the mower with the chute door open unless the complete grass catcher is properly mounted on the mower.
2. DO NOT operate the mower without the protective shield on the rear of the deck in place.



NOTE

Under normal usage bag material is subject to wear and should be checked periodically. Be sure any replacement bag complies with the mower manufacturer's recommendations.

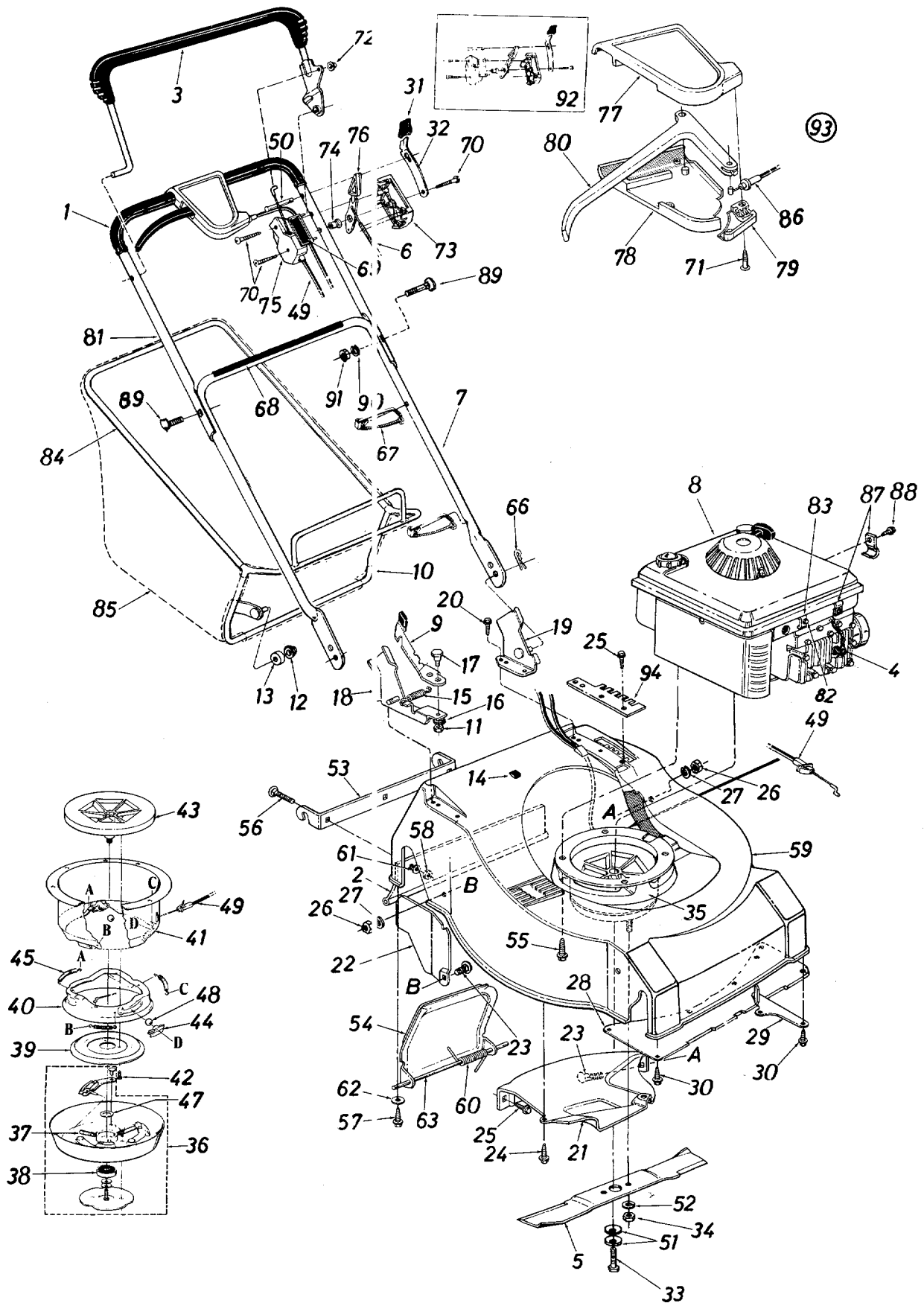
For replacement bags, use only factory authorized replacement bag No. 764-0171 (without Flip Top) or No. 764-0170 (with Flip Top).

Trouble Shooting Chart

Problem	Cause	Remedy
1 Engine fails to start	<p>A Check fuel tank for gas B Fuel shut-off valve closed C Spark plug lead wire disconnected D Throttle control lever not in the starting position E Faulty spark plug</p> <p>F Carburetor improperly adjusted, engine flooded</p> <p>G Old stale gasoline</p>	<p>A Fill tank if empty. B Open fuel shut-off valve. C Connect lead wire.</p> <p>D Move throttle lever to start position. E Spark should jump gap between control electrode and side electrode. If spark does not jump, replace the spark plug. F Remove spark plug, dry the plug, crank engine with plug removed, and throttle in off position. Replace spark plug and lead wire and resume starting procedures. G Drain and refill with fresh gasoline.</p>
2 Hard starting or loss of power	<p>A Spark plug wire loose B Carburetor improperly adjusted C Dirty air cleaner</p>	<p>A Connect and tighten spark plug wire. B Adjust carburetor. See separate engine manual. C Clean air cleaner as described in separate engine manual.</p>
3 Operation erratic	<p>A Dirt in gas tank B Dirty air cleaner C Water in fuel supply D Vent in gas cap plugged E Carburetor improperly adjusted</p>	<p>A Remove the dirt and fill tank with fresh gas. B Clean air cleaner as described in separate engine manual. C Drain contaminated fuel and fill tank with fresh gas. D Clear vent or replace gas cap. E Adjust carburetor. See separate engine manual.</p>
4 Occasional skip (hesitates) at high speed	<p>A Carburetor idle speed too slow B Spark plug gap too close C Carburetor idle mixture adjustment improperly set</p>	<p>A Adjust carburetor. See separate engine manual. B Adjust to .030". C Adjust carburetor. See separate engine manual.</p>
5 Idles poorly	<p>A Spark plug fouled, faulty, or gap too wide B Carburetor improperly adjusted C Dirty air cleaner</p>	<p>A Reset gap to .030" or replace spark plug. B Adjust carburetor. See separate engine manual. C Clean air cleaner as described in separate engine manual.</p>
6 Engine overheats	<p>A Carburetor not adjusted properly B Air flow restricted</p> <p>C Engine oil level low</p>	<p>A Adjust carburetor. See separate engine manual. B Remove blower housing and clean as described in separate engine manual. C Fill crankcase with the proper oil.</p>
7 Excessive vibration	<p>A Cutting blade loose or unbalanced B Bent blade</p>	<p>A Tighten blade. Balance blade. B Replace blade.</p>

Note: For repairs beyond the minor adjustments listed above, contact your local service center.

Model 374

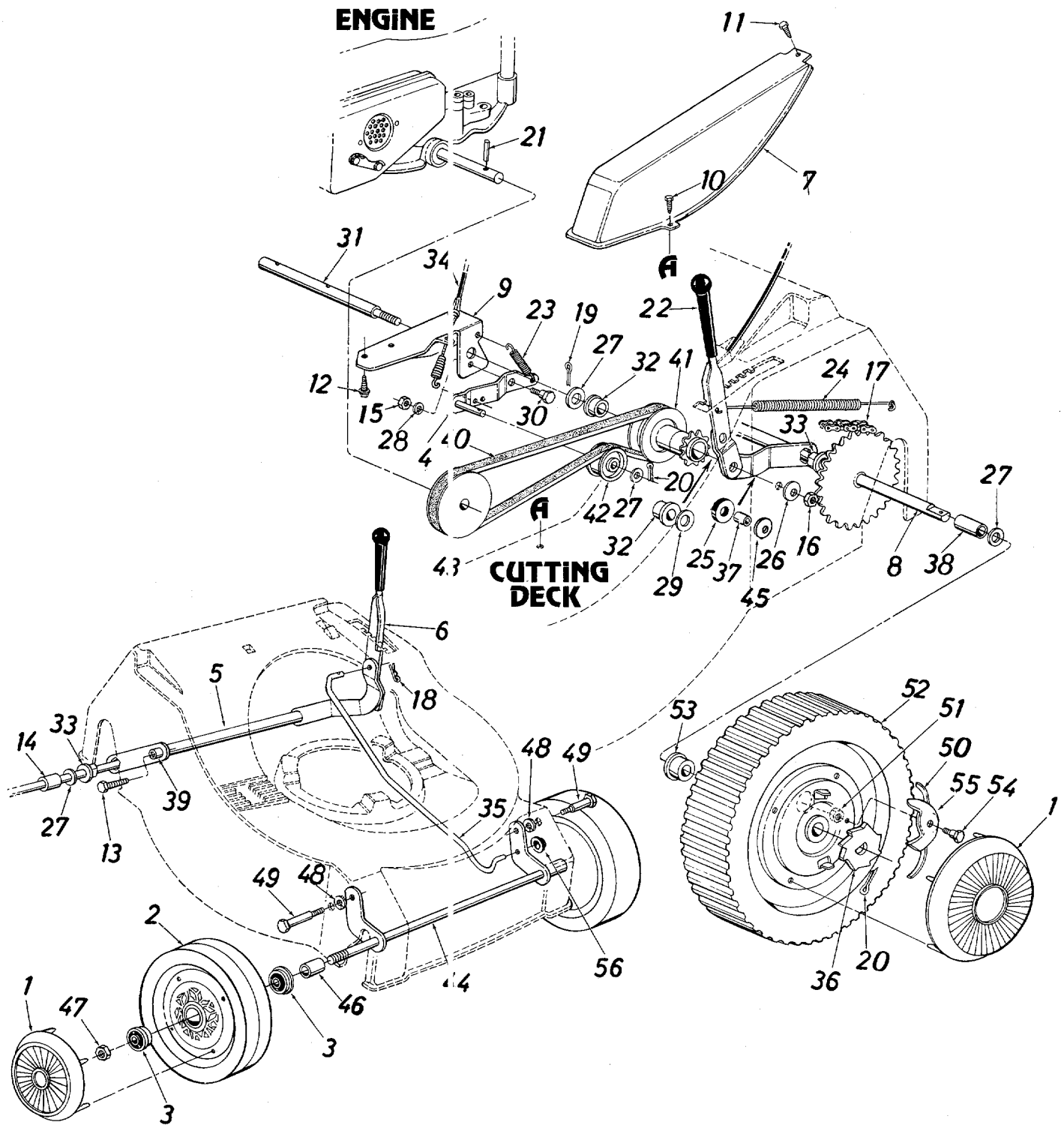


Model 374

PARTS LIST FOR MODEL 374 ROTARY MOWER

REF. NO.	PART NO.	COLOR CODE	DESCRIPTION	NEW PART	REF. NO.	PART NO.	COLOR CODE	DESCRIPTION	NEW PART
1	718-0145		Grip		48	741-0326		Steel Ball .500" Dia.	
2	731-0585		Rear Flap Ass'y.		49	746-0400A		Clutch Cable—46" (Incl. Ref. No. 72)	
3	731-0609		Control Handle—L.H.						
4	735-0639		Spark Plug Insulator		50	731-0607		Lock Pin .314" Dia. x 1.70	
5	742-0222		22" Blade		51	736-0105		Bell-Wash. .400" I.D. x .88" O.D.	
6	746-0633		Throttle Wire—58.0"	N	52	736-0169		L-Wash. 3/8" I.D.*	
7	749-0505		Lower Handle (Chrome)		53	14012		Grass Catcher Hitch Brkt.	
	749-0504		Lower Handle (Painted)		54	15245	462	Chute Door	
8	—		Engine		55	710-0654		Hex Wash. Hd. TT-Tap Scr. 3/8-16 x 1.00" Lg.	
9	14845		Grass Catcher Lock Lever					Carriage Bolt 1/4-20 x 1.0" Lg.*	
10	14582		Grass Catcher Lower Frame Ass'y.		56	710-0932		Hex Wash. Hd. "AB"-Tap Scr. 1/4 x .62"	
11	712-0267		Hex Nut 5/16-18 Thd.*		57	710-0776		Sems Nut 1/4-20 Thd.	
12	726-0100		Push Nut 3/8" Rod		58	712-0271		22" Deck Ass'y.	
13	731-0430		Plastic Roller		59	719-0253	462	Torsion Spring .34" I.D. x 2.38" Lg.	
14	731-0564		Plug		60	732-0408		FI-Wash. .281" I.D. x .73" O.D. x .063	
15	732-0357		Extension Spring		61	736-0173		FI-Wash. .285" I.D. x 1.25" O.D. x .060	
16	736-0119		L-Wash. 5/16" I.D.*		62	736-0211		Rod .25" Dia. x 8.25" Lg.	
17	738-0155		Shld. Bolt .437" Dia. x .162"		63	747-0353		Intern. Cot. Pin 5/16" Dia.	
18	14593		Handle Brkt. Ass'y.—R.H.		66	714-0104		Cable Tie	N
19	14597		Handle Brkt. Ass'y.—L.H.		67	726-0240		Instruction Label—Handle	N
20	710-0588		Hex Hd. Self-Tap Scr. 1/4-20 x 1.00" Lg.		68	777-5775		Control Label—Throttle	N
21	15248		Rear Baffle—L.H.		69	777-5772		Truss Mach. B-Tap Scr. #12 x 1.50" Lg.	
22	15254		Side Baffle		70	710-0796		Flat C-Sunk AB-Tap Scr. #10 x .75" Lg.	
23	710-0167		Carriage Bolt 1/4-20 x .50" Lg.		71	710-0841		Push Cap	
24	710-0776		Hex Wash. Hd. AB-Tap Scr. 1/4 x .62" Lg.		72	726-0111		Control Panel Half	N
25	710-0782		Hex Wash. Hd. Drill Scr. 1/4 x .75" Lg.		73	731-0817		Control Disc Pin	
26	712-0287		Hex Nut 1/4-20 Thd.*		74	731-0524		Clutch Panel Half	N
27	736-0329		L-Wash. 1/4" I.D.*		75	731-0816		Throttle Control Lever	
28	15668		Front Cover Plate		76	731-0528		Control Cover Half—Upper	
29	15253		Left Strap		77	731-0617		Control Cover Half—Lower	
30	710-0776		Hex Wash. Hd. AB-Tap Scr. 1/4 x .62" Lg.		78	731-0618		Cable Mtg. Cap	
31	720-0190		Spring Lever Knob		79	731-0619		Control Lever	
32	732-0401		Lockout Spring		80	731-0620		Upper Handle (Chrome)	
33	710-0818		Hex Bolt 3/8-24 x 2.00" Lg. (Grade 8)		81	749-0437		Upper Handle (Painted)	
34	712-0328		Hex Nut 3/8-24 Thd. (Grade 8)			749-0439		Hex B-Tap Scr. #10 x .62"	
35	717-0485		Blade Brake Clutch Ass'y. Comp.		82	710-0436		Casing Clamp	N
36	14300		Clutch Blade Housing Ass'y.		83	751-0442		Grass Catcher Upper Frame	
37	732-0396		Compression Spring .35" O.D. x 2.00" Lg.		84	749-0278		Grass Bag (w/o Flip Top)	
38	741-0124		Ball Brg. .669" I.D. x 1.574" O.D. x .47		85	764-0171		Grass Bag (w/Flip Top)	
39	14304		Clutching Cone			764-0170		Self-Propelled Clutch	
40	14305		Brake Cup Cone		86	746-0463		Cable—50.0" Lg.	
41	14307		Clutch Housing		87	12894		Casing Clamp	
42	710-0875		Hex TT-Tap L-Scr. 1/4-20 x .75" Lg.		88	710-0429		Hex B-Tap Scr. #10 x .38" Lg.	
43	719-0256		Fan Adapter		89	710-0671		Curved Carriage Bolt 5/16-18 x 1.38" Lg.	
44	731-0520		Ball Block		90	736-0119		L-Wash. 5/16" I.D.*	
45	732-0397		Extension Spring .35" O.D. x 1.75" Lg.		91	712-0267		Hex Nut 5/16-18 Thd.*	
47	736-0333		FI-Wash. .690" I.D. x 1.060 O.D. x .030		92	753-0431		Kit—Control Housing Comp.	N
48	741-0326		Steel Ball .500" Dia.		93	753-0362		Kit—Clutch Housing Comp.	
					94	15879		Reinforcing Brkt.	
					—	8374-000-6		Hardware Pack	

Model 374



NOTE

This instruction manual covers various models and all specifications shown do not necessarily apply to your model. Specifications subject to change without notice or obligation.

NOTE: The engine is not under warranty by the mower manufacturer... If repairs or service is needed on the engine, please contact your nearest authorized engine service outlet. Check the "Yellow Pages" of your telephone book under "Engines—Gasoline."

Find It Fast In The Yellow Pages

Model 374

PARTS LIST FOR MODEL 374 ROTARY MOWER

REF. NO.	PART NO.	COLOR CODE	DESCRIPTION	NEW PART	REF. NO.	PART NO.	COLOR CODE	DESCRIPTION	NEW PART
1	**		Hub Cap		29	736-0344		Fl-Wash. .390" I.D. x 1.00" O.D.	
2	734-0924		Wheel Ass'y. Comp. 8 x 1.75—Front		30	738-0255		Shld. Bolt .375" Dia. x .181	
3	741-0180		Flanged Ball Brg. .500" I.D.		31	738-0501		Pulley Shaft .500" Dia.	
4	13415		Idler Brk't. Ass'y.		32	741-0248		Flange Brg. .506" I.D. Plastic	
5	15244		Axle Ass'y.		33	741-0324		Hex Flange Brg. x .506" I.D. Plastic	
6	15246		Height Adj. Handle		34	746-0463		Self-Propelled Clutch Cable—50.0" Lg.	
7	15247		Belt Cover		35	747-0351		Linkage Rod .38" Dia.	
8	15249		Rear Shaft Ass'y.		36	748-0187		Ratchet Wheel	
9	15250		Bracket—Pulley Shaft		37	750-0503		Spacer .395" I.D. x .503" O.D. x .562" Lg.	
10	710-0352		Hex B-Tap Scr. 1/4 x .38" Lg.		38	750-0506		Spacer .75" I.D. x .88" O.D. x 1.41" Lg.	
11	710-0456		Hex Drilling Scr. #10 x .50" Lg.		39	750-0526		Spacer .385" I.D. x .503" O.D. x .270" Lg.	
12	710-0603		Hex Wash. Hd. B-Tap Scr. 5/16-18 x .50" Lg.		40	754-0252		"V"-Belt 1/2" x 33" Lg.	
13	710-0654		Hex Wash. Hd. TT-Tap Scr. 3/8-16 x 1.00" Lg.		41	756-0191		Pulley w/9 Tooth Sprocket Ass'y.	
14	711-0500		Spacer .526" I.D. x .690" O.D. x .640" Lg.		42	756-0360		Flat Idler Plastic 1.62" Dia.	
15	712-0287		Hex Nut 1/4-20 Thd.*		43	756-0384		"V"-Pulley .50" I.D. x 2.52" O.D.	
16	712-0342		Hex Jam Nut 3/8-16 Thd.		44	10662		Front Axle Ass'y.	
17	713-0289		#48 Chain 1/2" Pitch x 34 Links—E.		45	736-0219		Belleville Washer .40" I.D. x 1.13" O.D.	
18	714-0104		Intern. Cot. Pin 5/16" Dia.		46	711-0313		Sleeve .526" I.D. x .690" O.D. x .880 Lg.	
19	714-0111		Cotter Pin 3/32" Dia. x 1.00" Lg.*		47	712-0200		Hex Ins. L-Nut 1/2-20 Thd.	
20	714-0115		Cot. Pin 1/8" Dia. x 1.00" Lg.*		48	736-0221		Int. L-Wash. 3/8" I.D.	
21	715-0144		Spring Pin Spir. 3/16" Dia. x 1.50" Lg.		49	738-0149		Shld. Bolt .625 Dia. x .425	
22	720-0143		Grip—Black		50	10622		Spring—Nylon	
23	732-0357		Extension Spring .33" O.D. x 1.12" Lg.		51	712-0324		Hex Ins. L-Nut 1/4-20 Thd.	
24	732-0428		Extension Spring .50" O.D. x 4.25" Lg.		52	734-1051		Wheel Ass'y. Comp. 9.25 x 1.75 Rear	
25	735-0144		Rubber Wash.		53	741-0180		Flanged Ball Brg. .500" I.D.	
26	736-0105		Bell-Wash. .400" I.D. x .88" O.D.		54	738-0137		Shoulder Bolt .342" Dia. x .268	
27	736-0160		Fl-Wash. .531" I.D. x .930" O.D.		55	748-0188		Pawl	
28	736-0329		L-Wash. 1/4" I.D.*		56	726-0135		Cap Speed Nut 5/16" Rod	

*For faster service obtain standard nuts, bolts and washers locally. If these items cannot be obtained locally, order by part number and size as shown on parts list.

If color or finish is important when ordering parts, use the appropriate color code shown below [i.e. (part no.)-462 for Red Flake Finish].

**Hub Caps

Color	Part No.
Red	731-0124
Orange	731-0254
Black	731-0354
Gray	731-0355

Color Codes

312—White	463—Topflite Red
436—Radiant Yellow	480—Brilliant Green
452—Black	483—Charcoal Grey
456—Radiant Tangerine	499—Beige
462—Red Flake	623—Silver Mist

PARTS INFORMATION

POWER EQUIPMENT PARTS AND SERVICE

Parts and service are available through the authorized service firms listed below. All orders should specify the model number of your unit, part numbers, description of parts and the quantity of each part required.

BRIGGS AND STRATTON, TECUMSEH AND PEERLESS PARTS AND SERVICE

Briggs & Stratton, Tecumseh and Peerless parts and service should be handled by your nearest authorized engine service firm. Check the yellow pages of your telephone directory under the listing **Engines—Gasoline**, Briggs & Stratton or Tecumseh Lauson.

NOTE: If any parts are found to be missing or defective upon assembly of this unit, write to advise the factory so that immediate replacement can be made.

ALABAMA	BIRMINGHAM	NORTH CAROLINA	GOLDSBORO
Auto Electric & Carburetor Co.	2625 4th Ave. S.	Smith Hardware Co.	515 N. George St.
ARKANSAS	NORTH LITTLE ROCK		GREENSBORO
Sutton's Lawn Mower Shop	5301 Roundtop Drive	Dixie Sales Company	335 N. Green
	Box 368, Rt. 4	OHIO	CARROLL
		Stebe's Mid-State Mower Supply	Box 366, 71 High St.
CALIFORNIA	PORTERVILLE		CLEVELAND
Billious	75 North D Street	Bleckrie, Inc.	7900 Lorain Ave.
COLORADO	DENVER		WADSWORTH
Spitzer Industrial Products Co.	6601 N.	National Central	687 Seville Rd.
	Washington St.	Burton Supply Co.	
FLORIDA	JACKSONVILLE		YOUNGSTOWN
Radco Distributors	4909 Victor St.		1301 Logan Ave.
	Box 5459		Box 929
	HIALEAH	OKLAHOMA	MUSKOGEE
Small Eng. Dist.	7995 W. 26th Court	Victory Motors, Inc.	605 S. Cherokee
GEORGIA	EAST POINT	OREGON	PORTLAND
East Point Cycle & Key Inc.	2834 Church St.	Kenton Supply Co.	8216 N. Denver Ave.
ILLINOIS	LYONS	PENNSYLVANIA	HARRISBURG
Keen Edge Co.	8615 Ogden Ave.	EECO Inc.	4021 N. 6th St.
INDIANA	ELKHART		WILLOW GROVE
Parts & Sales Inc.	2101 Industrial Pkwy.	Thompson Rubber Co.	850 Davisville Rd.
IOWA	DUBUQUE	Bluemont Co.	PITTSBURGH
Power Lawn & Garden Equip.	2551 J.F. Kennedy	Frank Roberts & Sons	11125 Frankstown Rd.
LOUISIANA	NEW ORLEANS		PUNXSUTAWNEY
Suhren Engine Co.	8330 Earhart Blvd.		R.D. 2
MARYLAND	TAKOMA PARK	SCRANTON	1133-35 Wyoming Ave.
Center Supply Co.	6867 New Hampshire	TENNESSEE	KNOXVILLE
	Ave.	Ace Distributors	2103 Magnolia
		American Sales & Service, Inc.	MEMPHIS
MASSACHUSETTS	SPRINGFIELD		3035-43 Bellbrook
Morton B. Collins Co.	300 Birnie Ave.	TEXAS	DALLAS
MICHIGAN	LANSING	Marr Brothers, Inc.	423 E. Jefferson
Lorenz Service Co.	2500 S. Pennsylvania	Woodson Sales Corp.	FORT WORTH
			6733 Baker Blvd.
Power Equipment Dist.	MOUNT CLEMENS		Hwy. 10
	340 Hubbard	Bullard Supply Co.	HOUSTON
MINNESOTA	HOPKINS		2409 Commerce St.
Hance Distributing Inc.	420 Excelsior Ave. W.	Engine House Inc.	SAN ANTONIO
MISSOURI	KANSAS CITY		8610 Botts Lane
Automotive Equip. Service	3117 Holmes St.		P.O. Box 17867
	ST. JOSEPH	UTAH	SALT LAKE CITY
Ross-Frazier Supply Co.	8th and Monterey	Powered Products	1661 N. Beck St.
	ST. LOUIS	VIRGINIA	ASHLAND
Henzler, Inc.	2015 Lemay Ferry Rd.	RBI Corp.	101 Cedar Ridge Dr.
NEW JERSEY	BELLMAWR	WASHINGTON	SEATTLE
Lawnmower Parts Inc.	717 Creek Rd.	Equip. Northwest	1410 14th Ave.
NEW MEXICO	ALBUQUERQUE	WISCONSIN	MILWAUKEE
Spitzer Eng. & Parts Co.	1023 Third Ave. N.W.	Wisconsin Magneto Inc.	4727 N. Teutonia St.
NEW YORK	CARTHAGE		
Gamble Dist., Inc.	West End Ave.		

WARRANTY PARTS AND SERVICE POLICY

(0685)

The purpose of warranty is to protect the customer from defects in workmanship and materials, defects which are NOT detected at the time of manufacture. It does not provide for the unlimited and unrestricted replacement of parts. Use and maintenance are the responsibility of the customer. The manufacturer cannot assume responsibility for conditions over which it has no control. Simply put, if it's the manufacturer's fault, it's the manufacturer's responsibility; if it's the customer's fault, it's the customer's responsibility.

CLAIMS AGAINST THE MANUFACTURER'S WARRANTY INCLUDES:

1. Replacement of Missing Parts on new equipment.
2. Replacement of Defective Parts within the warranty period.
3. Repair of Defects within the warranty period.

All claims MUST be substantiated with the following information:

1. Model Number of unit involved.
2. Date unit was purchased or first put into service.
3. Date of failure.
4. Nature of failure.