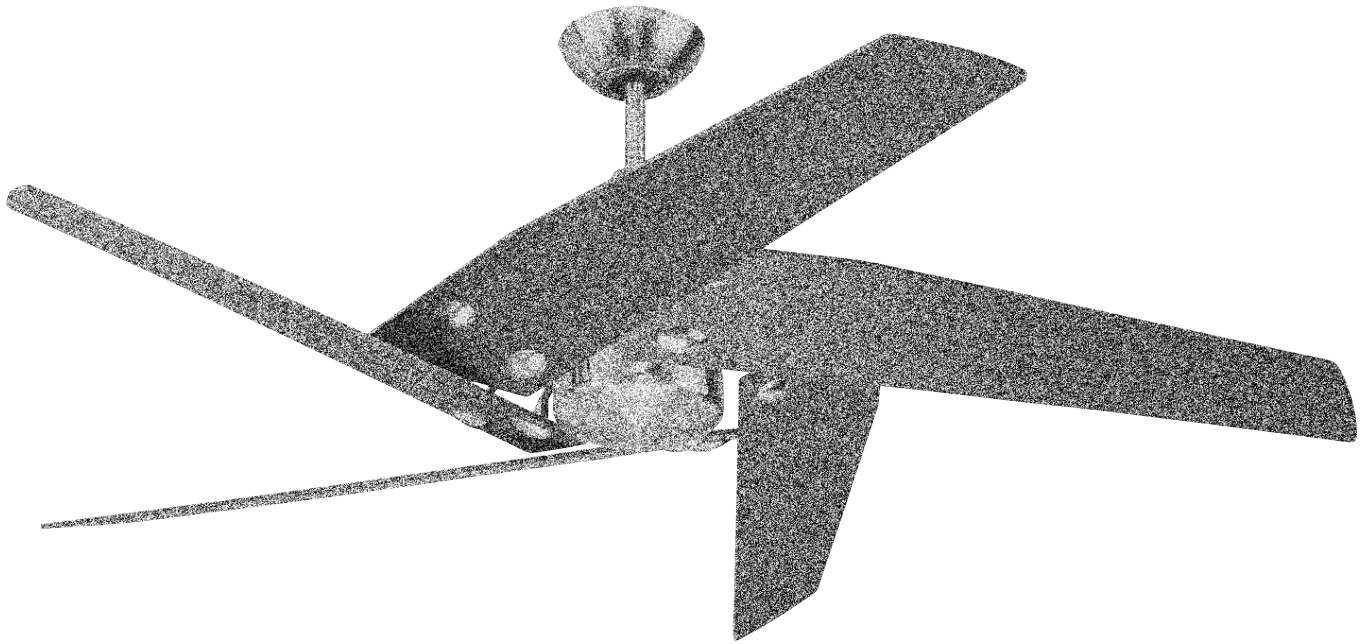


Owner's Manual

Ceiling Fan Installation Instructions



Total fan weight

For 5STR52 Fan

READ AND SAVE THESE INSTRUCTIONS

MONTE CARLO
Quality Ceiling fans



Installation

SAFETY TIPS

WARNING: TO REDUCE THE RISK OF FIRE, ELECTRIC SHOCK, OR INJURY TO PERSONS, OBSERVE THE FOLLOWING: READ AND SAVE THESE INSTRUCTIONS

1. Installation work and electrical wiring must be done by qualified person(s) in accordance with applicable codes (70-1999), including fire-rated construction.
2. Use this unit only in the manner intended by the manufacturer. If you have any questions contact the manufacturer.
3. After making the wire connections, the wires should be spread apart with the grounded conductor and the equipment-grounding conductor on one side of the outlet box and ungrounded conductor on the other side of the outlet box.
4. Before you begin installing the fan, Switch power off at Service panel and lock service disconnecting means to prevent power from being switched on accidentally. When the service disconnecting means cannot be locked, securely fasten a prominent warning device, such as a tag, to the service panel.
5. Be cautious! read all instructions and safety information before installing your new fan. Review the accompanying assembly diagrams.
6. When cutting or drilling into wall or ceiling, do not damage electrical wiring and other hidden utilities.
7. Make sure the installation site you choose allows the fan blades to rotate without any obstructions. Allow a minimum clearance of 7 feet from the floor to the trailing edge of the blade.
8. To reduce the risk of fire, electric shock, or personal injury, mount to outlet box or supporting system acceptable for fan support. (Mounting must support at least 35 lbs.)
9. Do not bend blade holders during installation to motor, balancing or during cleaning. Do not insert foreign object between rotating blades.
10. Attach the mounting bracket using only the hardware supplied with the outlet box.
11. To reduce the risk of fire or electric shock, do not use this fan with any solid state fan speed control device, or variable speed control.
12. If this unit is to be installed over a tub or shower, it must be marked as appropriate for the application.
13. NEVER place a switch where it can be reached from a tub or shower.
14. The combustion airflow needed for safe operation of fuel-burning equipment may be affected by this unit's operation. Follow the heating equipment manufacturer's guideline safety standards such as those published by the National Fire Protection Association (NFPA), and the American Society for Heating, Refrigeration and Air Conditioning Engineers (ASHRAE) and the local code authorities.
15. Before servicing or cleaning unit, Switch power off at Service panel and lock service disconnecting means to prevent power from being switched on accidentally. When the service disconnecting means cannot be locked, securely fasten a prominent warning device, such as a tag, to the service panel.

TOOLS REQUIRED

Phillips Screwdriver

Wire Cutters

Pliers

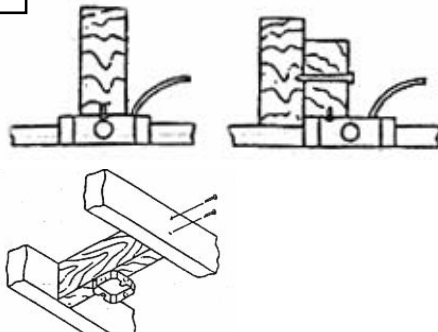
Step Ladder

1



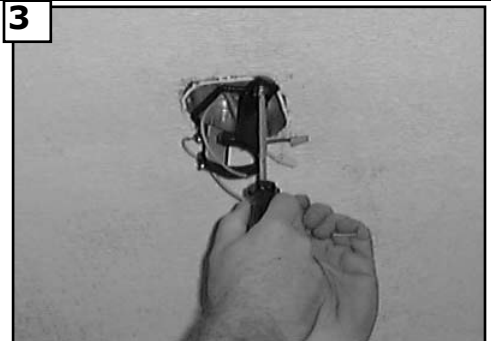
Before you begin installing the fan, Switch power off at Service panel and lock service disconnecting means to prevent power from being switched on accidentally. When the service disconnecting means cannot be locked, securely fasten a prominent warning device, such as a tag, to the service panel.

2



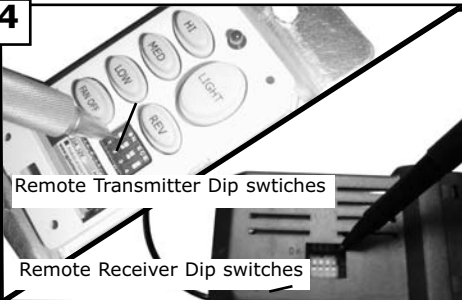
Before installing this fan make sure the outlet box is properly installed to the house structure. To reduce the risk of fire, electric shock, or personal injury, mount to outlet box or supporting system acceptable for fan support. (Mounting must support at least 35 lbs.)

3



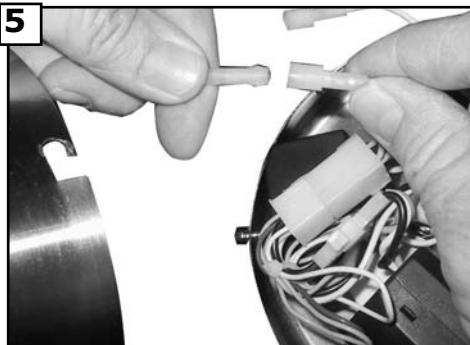
Install the Mounting Bracket to the Outlet box. **Use only the screws provided with the outlet box.**

4



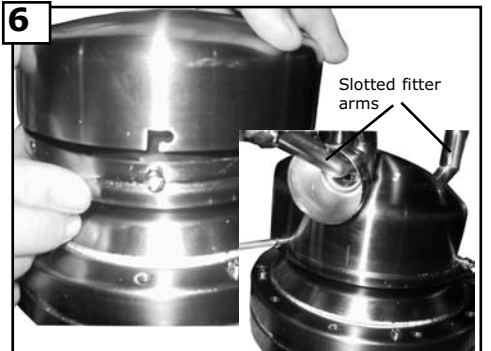
Set dip switches on the Remote Transmitter and Remote Receiver to the same settings. This must be done so the units will communicate properly. If you have other fans you can set to control from one transmitter by setting both receivers the same as the transmitter. If you have more than one fan with remote. You can set the dip switches to different positions to have separate control.

5



If using the light kit find wires from light and fan body. Plug wires together as follows. Connect blue wire from fan to black wire from light. Connect white wire from fan to white wire from light.

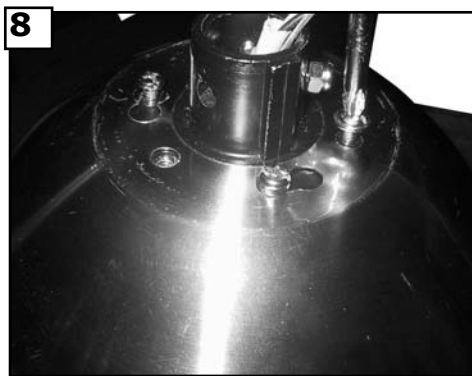
6



Use caution with the slotted fitter arms, do not force the fitter arms in assembling when using the light kit. Screw in the 2 allen screws then place switch housing cap with slots as shown on the 2 screws and twist.



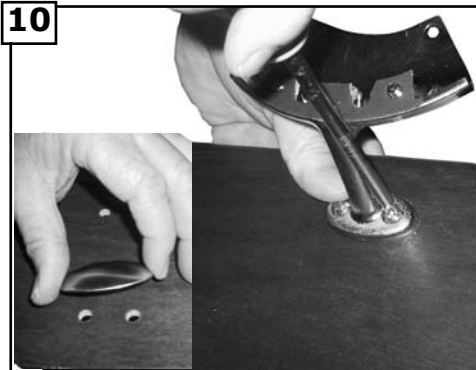
Take the last allen screw and align with hole in the switch housing cap or light kit, then tighten all 3 allen screws securely.



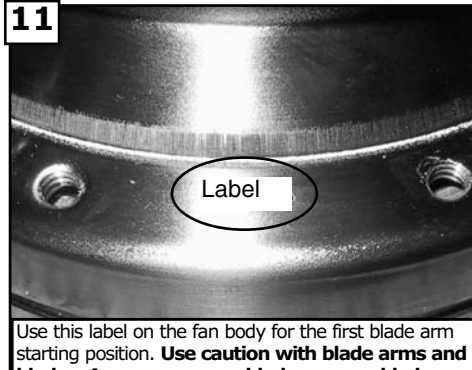
Loosen the 3 screws with slots and remove the other 3 screws. Save the screws.



To remove the top motor cover twist the cover and remove this will allow access to the screw holes for the blade arms.



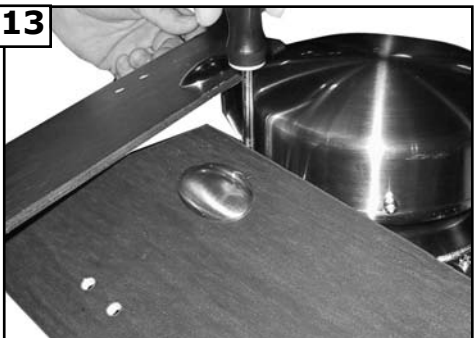
Place medallion on side of blade not marked this side up. Flip the blade over and attach short arm to set of holes that are closest to the corner of the blade. The remaining set of holes is for the long arm. Repeat for each blade.



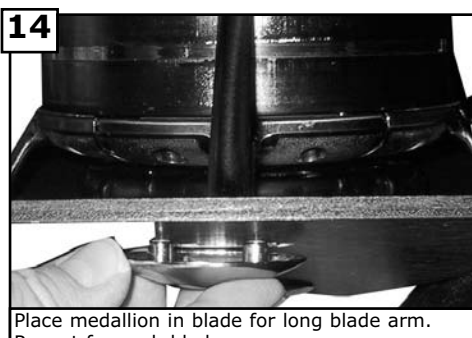
Use this label on the fan body for the first blade arm starting position. **Use caution with blade arms and blades. Any pressure on blade arms or blades such as holding fan by blades or blade arms can create problems of blade pitch deviation or deforming blade arms.**



Place blade arm over label on the fan body and tighten the 2 screws in the blade arm to the fan body.



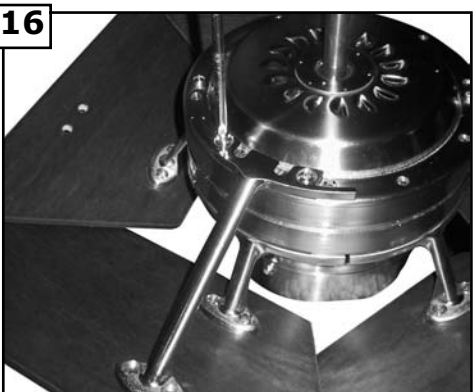
When attaching the second blade and arm to fan it should go under the first blade as shown in photo. Repeat for the other blades and arms.



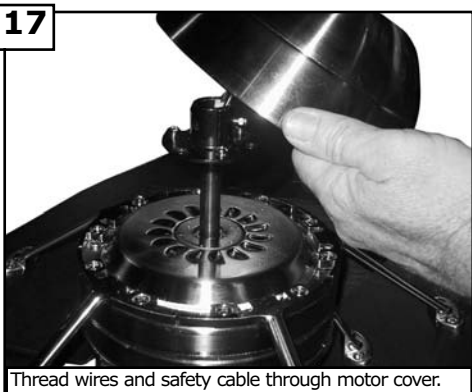
Place medallion in blade for long blade arm. Repeat for each blade.



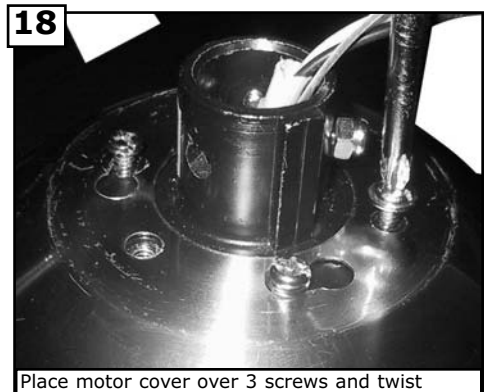
Attach long blade arm to medallion with 2 screws, only start screws. Repeat for each long blade arm.



Attach the long blade arms to motor after attaching to blade. Tighten screws to motor securely and repeat for each blade arm. **Caution** go back and securely tighten screws in step 15.



Thread wires and safety cable through motor cover.



Place motor cover over 3 screws and twist cover into position. Take 3 screws removed earlier and replace, tighten all 6 screws securely.

19

downrod
canopy
yoke cover

Thread wires and safety cable from fan through yoke cover, canopy and downrod.

20

Loosen the 2 yoke screws.

21

Align holes in downrod and holes in yoke and install cross pin.

22

Install cotter pin into cross pin to secure.

23

Tighten both yoke set screws to further secure downrod.

24

Use caution when hanging fan not to hold by blades are put any pressure on blades or blade arms. This could create problems of blade pitch deviation, deforming blade arms, or scratching of blades. Carefully lift fan assembly by fan body onto mounting bracket. Rotate fan so that the notch on the ball engages the ridge in the mounting bracket. This will allow hands-free wiring.

25 Canadian mounting only

Safety Cable
Lag Screw

For Canadian installation in both flush and downrod mode the safety cable must be installed into the house structure beams using the 3" lag screws provided. Make sure that when the safety cable is fully extended the leadwires are longer than the cable and no stress is placed on the leadwires.

26

Make wire connections to power source using wire nuts provided. Make sure that no filaments are outside of the wirenut. After making the wire connections, the wires should be spread apart with the grounded conductor and the equipment-grounding conductor on one side of the outlet box and ungrounded conductor on the other side of the outlet box.

27

House	Fan
Black	Black
White	White
Green	Green(downrod) Green(Bracket)

Make wire connections as per above diagram. Connect the white wire from the fan to the White or Neutral wire from the power source. Connect the black wire from the fan to the Black or hot wire from the power source. Connect all Green / Yellow wires from the fan, Downrod and mounting bracket to the Ground wire from the house.

28 PERFORM FOR LIGHT KIT IF USED

Plug in the 3 light bulbs by aligning the 2 prongs on bulb with holes in socket and then push in and twist the 50 watt bulbs which are GU10.

29

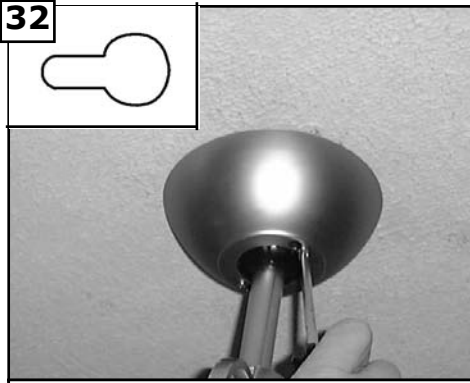
Use caution with the slotted fitter arms, do not force the fitter arms. Align the 3 slotted arms with the 3 screws in glass.

30

When aligned push screw in glass into the slotted arm from light kit.



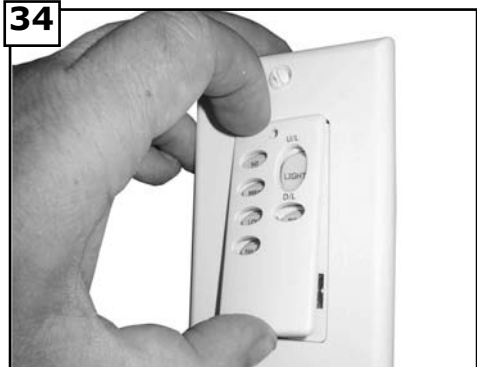
31 Install the cover of light kit holder tightly over the screw in glass and the slotted arm from fitter. (twist cover counter clockwise)



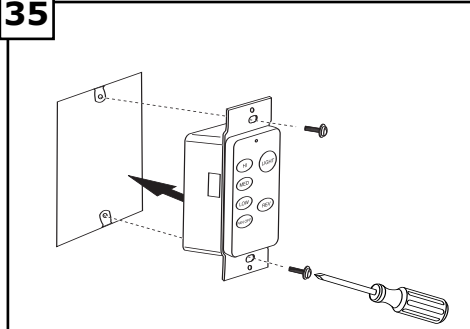
32 Lift Canopy to ceiling aligning the key hole slots with the screws on the bottom of the Mounting bracket. Rotate the canopy Counter Clockwise to lock in place. Tighten the screws to secure the Canopy. See inset for Keyhole shape



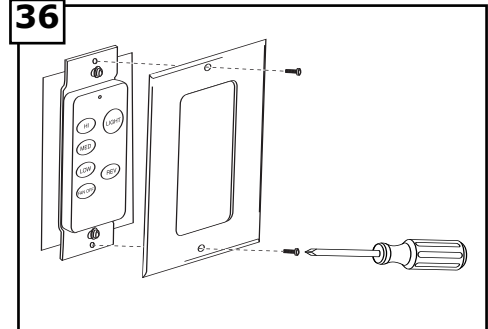
33 Remove cover by snapping off from top or bottom. Install 12V battery into wall remote. Duracell MN21 / Eveready A23 / GP 23A all 12V.



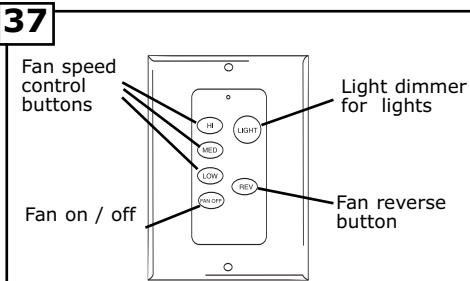
34 Attach cover of remote by placing over buttons and snapping into place.



35 Install wall control unit to outlet box using machine screws provided.



36 Attach front cover to wall control with screws provided.



37 To control fan speed select from High, Medium or low speed buttons. To turn the fan off press the Fan on / off button. To dim lights press and hold button. To turn off light press and quickly release button. Press button marked REV to reverse the rotation direction of the fan blades

Trouble Shooting

If you have difficulty operating your new ceiling fan, it may be the result of incorrect assembly, installation, or wiring. In some cases, these installation errors may be mistaken for defects. If you experience any faults, please check this Trouble Shooting Chart. If a problem cannot be remedied, or you are experiencing difficulty in installation, please call our Customer Service Center at the number printed on your parts list insert sheet.

Warning: Before servicing or cleaning unit, Switch power off at Service panel and lock service disconnecting means to prevent power from being switched on accidentally. When the service disconnecting means cannot be locked, securely fasten a prominent warning device, such as a tag, to the service panel.

1. If fan does not start:
1. Check main and branch circuit fuses or circuit breakers.
 2. Check line wire connections to fan and switch wire connections in switch housing.
 3. Check to make sure the dip switches from the transmitter and receiver are set on the same frequency.

CAUTION: Make sure main power is turned off.

2. If fan sounds noisy:
1. Check to make sure all screws in motor housing are snug (not over tightened).
 2. Check to make sure the screws which attach the fan blade holder to the motor are tight.
 3. Check to make sure wire nut connectors in switch housing are not rattling against each other or against the interior wall of the switch housing.

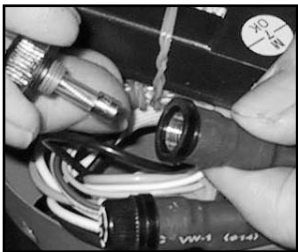
CAUTION: Make sure main power is turned off before entering switch housing.

4. Some fan motors are sensitive to signals from Solid State variable speed controls. **DO NOT USE a Solid State variable speed control.**
5. Allow "break-in" period of 24 hours. Most noises associated with a new fan will disappear after this period.

3. If fan wobbles:
1. Make sure that the ridge of the canopy engages the notch in the downrod ball.
 2. Check that all blades are screwed firmly into blade holders.
 3. Check that all blade holders are tightened securely to motor.
 4. Make sure that canopy and mounting bracket are tightened securely to ceiling junction box and junction box is mounted firmly to ceiling joist.
 5. Most fan wobble problems are caused when blade levels are unequal. Check this level by selecting a point on the ceiling above the tip of one of the blades. Measure this distance from blade tip to ceiling. Keeping measure within 1/8", rotate the fan until the next blade is positioned for measurement. Repeat for each blade. If all blade levels are not equal, you can adjust blade levels by the following procedure. To adjust a blade tip down, insert a washer (not supplied) between the blade and blade holder at the screw closest to the motor. To adjust a blade tip up, insert washer (not supplied) between the blade and blade holder at the two screws farthest from the motor. Reverse the position of the washer if blades mount from top of blade.
 6. If blade wobble is still noticeable, interchanging two adjacent (side by side) blades can redistribute the weight and possibly result in smoother operation.

4. If light does not work:
1. Check wire from fan to make sure it is connected to hot wire from house.
 2. Check for loose or disconnected wires in fan switch housing.
 3. Check for loose or disconnected wires in light kit.
 4. Check for faulty light bulbs.

CAUTION: Make sure main power is turned off before entering switch housing.
WARNING: Before attempting to replace the fuse make sure the main power is turned off to the fan. Replace only with 3 amp fuse. The fuse is inside the top housing.



MONTE CARLO

Customer Service Center:
740 S.W. Loop 820, Suite 110
Fort Worth, Texas 76115
1-800-519-4092