

MITEL

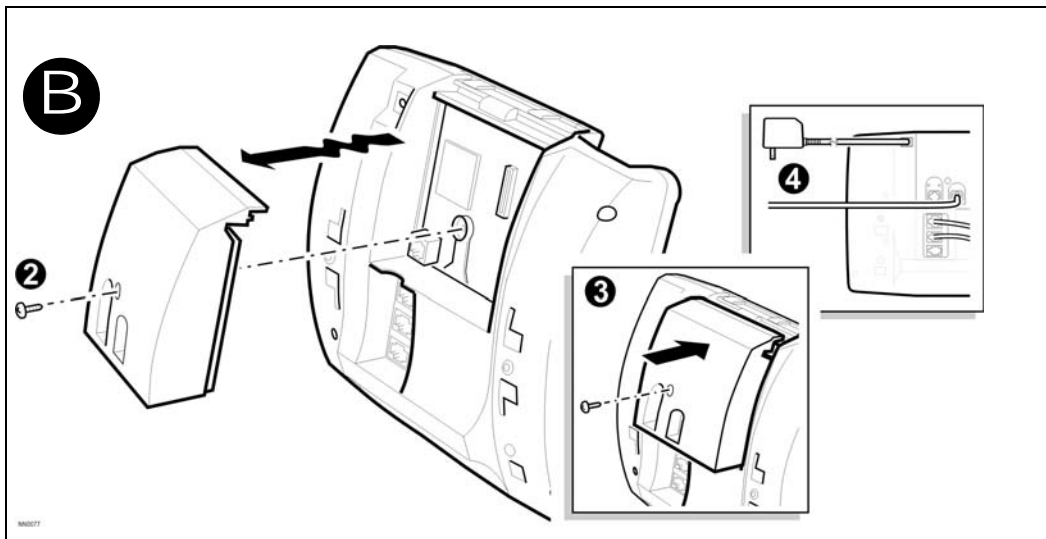
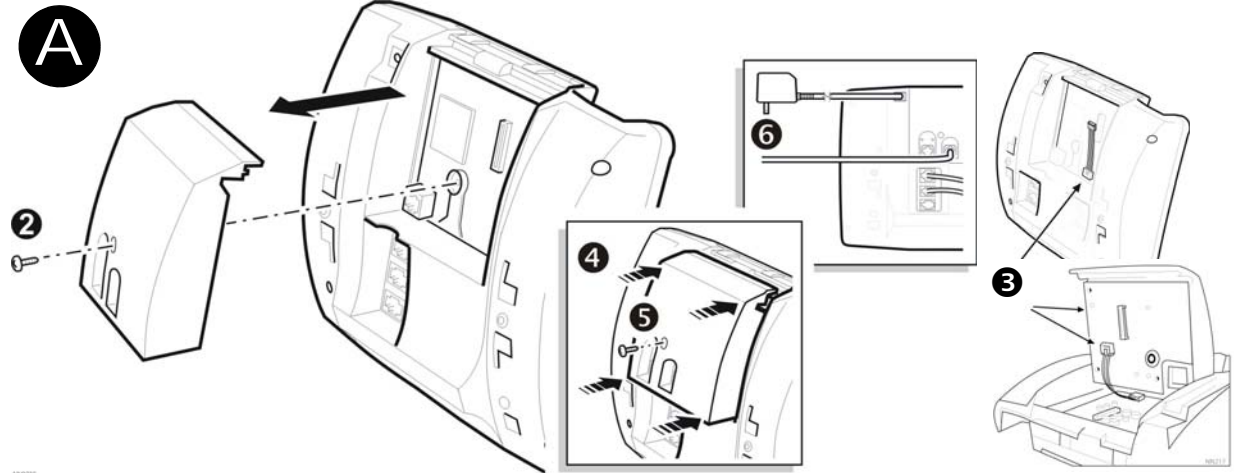
IP Programmable Key Module (PKM)

Installation with the 5220, 5224, 5235, 5324, 5330, 5340 IP Phones and 8528/8568 Digital Phones

To install the IP Programmable Key Module (PKM) Interface Module (IM), refer to the installation instructions on page 2.

To install the IP Programmable Key Module (PKM) 12, refer to the installation instructions on page 4.

To install the IP Programmable Key Module (PKM) 48, refer to the installation instructions on page 6.



Important Safety Instructions and Precautions

WARNING: DO NOT CONNECT DIRECTLY TO THE PUBLIC SWITCHED TELEPHONE NETWORK (PSTN). ANY CONNECTION OF THIS MODULE TO AN OFF PREMISE APPLICATION, AN OUT OF PLANT APPLICATION, ANY OTHER EXPOSED PLANT APPLICATION, OR TO ANY EQUIPMENT OTHER THAN THE INTENDED APPLICATION MAY RESULT IN A SAFETY HAZARD, AND/OR DEFECTIVE OPERATION, AND/OR EQUIPMENT DAMAGE. "EXPOSED PLANT" MEANS WHERE ANY PORTION OF THE CIRCUIT IS SUBJECT TO ACCIDENTAL CONTACT WITH ELECTRIC LIGHTING OR POWER CONDUCTORS OPERATING AT A VOLTAGE EXCEEDING 300 V BETWEEN CONDUCTORS OR IS SUBJECT TO LIGHTNING STRIKES.


Maintenance and Repair

The IP PKM IM/PKM 12/PKM 48 are field replaceable units. There are no user serviceable parts inside the modules. For repairs, return the module to an authorized Mitel dealer.

These notices may appear on the product or in the technical documentation.

DANGER	Danger indicates an imminently hazardous situation which, if not avoided, will result in death or serious injury.
WARNING	Warning indicates a potentially hazardous situation which, if not avoided, could result in death or serious injury.
CAUTION	Caution indicates a potentially hazardous situation which, if not avoided, may result in minor or moderate injury and/or damage to the equipment or property.

This symbol may appear on the product.

	The exclamation point within an equilateral triangle indicates that important operating and maintenance (servicing) instructions are included in the literature accompanying the product.
--	---

Description

The IP Programmable Key Modules (PKM) are peripheral devices providing connectivity (the Interface Module) or additional personal keys (the IP PKM12 and IP PKM48) for IP and Digital Phones. Each personal key may be programmed as a feature key, Speed Call keys, Direct Station Select (DSS) keys, or line appearance keys, and each has a line status indicator.

The IP Programmable Key Module (PKM) Interface Module (IM) provides connectivity between the 5220/5224/5235/5324/5330/5340 IP Phones or 8528/8568 Digital Phones and the IP PKM 12/IP PKM 48. The IP PKM IM allows you to connect your 5220/5224/5235/5324/5330/5340 IP Phone or 8528/8568 Digital Phone to a single IP PKM 12. A maximum of two IP PKM 48s may be attached to a 5220/5224/5235/5324/5330/5340 IP Phone supported by a Mitel Communications Director (MCD), 3300 IP Communications Platform (ICP) or SX-200 ICP, or an 8528/8568 Digital Phone and 5224/5324 IP Phone supported by a 5000 Communications Platform, for a maximum of 96 additional keys.

NOTE: The IP PKM IM, IP PKM12, and IP PKM48 cannot be installed on a phone that has a Line Interface Module, 5310 Conference Unit, or Cordless Module installed.

Powering Requirements

The IP PKM Interface Module (IM) supplies the power to the IP PKM12 and IP PKM48. There are different powering requirements depending on which phone the IP PKM and IP PKM IM is attached to, as follows:

- 5220/8528/8568: The DC adapter (24 v, PN50005300) that powers the host 5220 IP Phone and 8528/8568 Digital Phone powers the IP PKM IM and the IP PKM 12/48.
The DC adapter is always required to power the IP PKM IM when used on a 5220 IP Phone or 8528/8568 Digital Phone.
- 5224/5235/5324/5330/5340: The IP PKM IM supports Power over Ethernet (PoE) from the Phone to power the IP PKM 12/48.
The DC adapter (48 v) is not required when using a PKM 12/48 or two IP PKM48s on a 5224/5235/5324/5330/5340 IP Phone that is powered by PoE.

System Software Requirements

The IP PKM IM, IP PKM12, and IP PKM48 are supported by the following system software:

- MCD Release 4.1 SP3 and later software
- 5000 Communications Platform Release 3.2 and later software
- SX-200® ICP Release 4.0 UR5 and later software.

NOTE: The IP PKM 12 and IP PKM 48 are the only PKMs qualified by Mitel for connection to the 5220/5224/5235/5324/5330/5340 IP Phones and 8528/8568 Digital Phones.

CAUTION: Only personnel qualified by Mitel should install the IP PKM IM.

Supporting Documentation

For more information refer to the appropriate system-specific technical documentation available at Mitel Online. To access the 5220/5224/5235/5324/5330/5340 IP Phone and 8528/8568 Digital Phone documentation:

1. In your browser, go to www.edocs.mitel.com.
2. Click **End User Documents** in the menu bar or under **Other Resources** in the left side navigation pane.

IP PKM IM Installation Instructions

To install an IP PKM IM (see Figure A on previous page)

CAUTION: Handle the IP PKM IM by the cover. Do not touch components or circuitry.

- 1 Unplug the phone from the system.
- 2 With a Phillips screwdriver, remove the screw from the module cover from the under side of the phone. Store the cover and screw.

NOTE: If you are using the IP PKM IM with a 5220/5224/5324/5330/5340 IP Phone, punch out the PC port tab of the IP PKM IM before installation. This does not apply to the 5235 IP Phone.

- 3 For a 5330/5340 IP Phone only:
 - Plug the jumper cable (included with the IP PKM IM) into the 4-pin cable connector on the main board of the 5330/5340 IP Phone.
 - Align the IP PKM IM against the phone and attach the other end of the jumper cable to the IP PKM IM connector.
- 4 Place the IP PKM IM and apply equal pressure to all sides of the cover until the IP PKM IM clicks into place.
- 5 Fasten the IP PKM IM cover with the supplied screw.
- 6 Reconnect the phone to the system and plug the power adapter or PoE LAN cable into the phone.

CAUTION: Use only with Mitel Networks power supply.

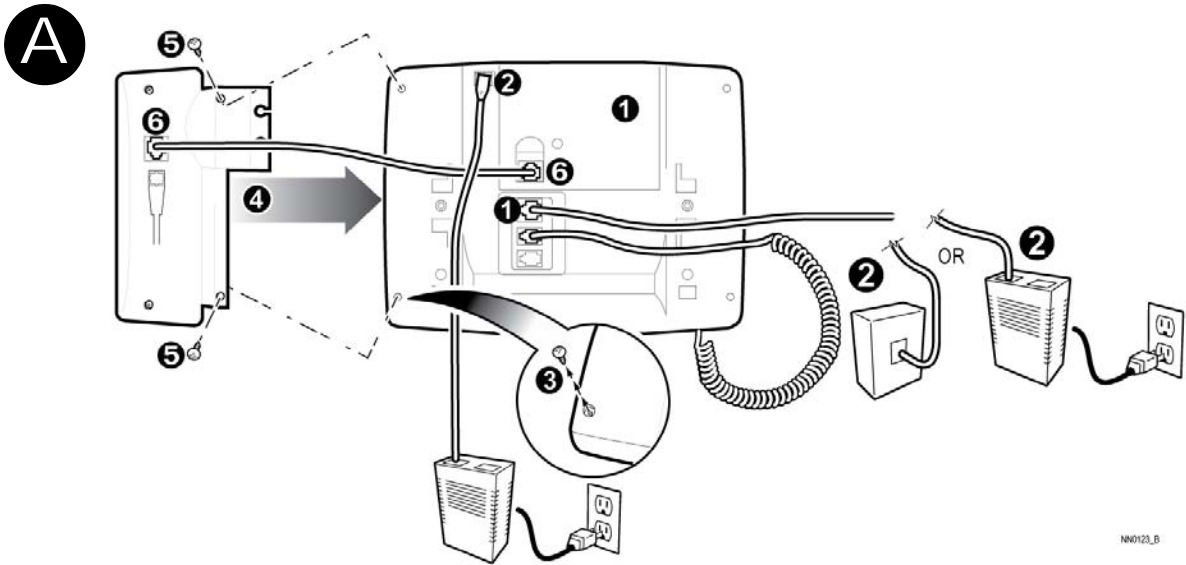
To remove an IP PKM IM (see Figure B on previous page)

- 1 Unplug the phone from the system, power adapter, and all cables from the IP PKM IM jacks. Unplug the power adapter from its power source.
- 2 With a Phillips screwdriver, remove the screw from the IP PKM IM from the under side of the phone. Store the screw. Grasp the IP PKM IM and gently pull the IP PKM IM from the phone.
- 3 Replace the phone's original cover and fasten it with the screw removed in Step 2 of installing an IP PKM IM.
- 4 Reconnect the system and interface cables to the phone.

IP Programmable Key Module (PKM) 12

To install the IP Programmable Key Module (PKM) Interface Module (IM), refer to the installation instructions on page 2.

To install the IP Programmable Key Module (PKM) 48, refer to the installation instructions on page 6.



NN0120_B

Installation Instructions

To attach an IP PKM 12 to a 5220/5224/5235/5324/5330/ 5340 IP Phone or 8528/8568 Digital Phone

(see Figure **A** on previous page)

- ❶ Ensure that the system has been programmed to recognize the IP PKM 12, that the phone is connected to the system, and that a Mitel qualified technician has installed an IP PKM IM in your 5220/5224/5235/5324/5330/5340 IP Phone or 8528/8568 Digital Phone.
- ❷ 5220/8528/8568 Only: Ensure that the appropriate DC adapter is plugged into the power jack under the phone.
- ❸ Remove the top and bottom screws on the back, left side of the phone.
- ❹ Slide the IP PKM 12 onto the left side of the phone. Ensure that the top and bottom holes on the IP PKM 12 align with those on the back, left side of the phone.
- ❺ Connect the IP PKM 12 to the phone using screws provided in the small envelope.
- ❻ Plug the RJ45 cable into the IP PKM 12 and the IP PKM IM. The LEDs will temporarily flash and then go out. Continually flashing LEDs indicate incorrect installation or programming.
- ❼ Program the keys as described in your 5220/5224/5235/5324/5330/5340 IP Phone or 8528/8568 Digital Phone User Guide, available at www.mitel.com. Your System Administrator may have to program some features.

NOTE: The IP PKM 12 will not function until it is identified in Customer Data Entry programming by your System Administrator.

Installation Instructions

To attach an IP PKM 48 to a 5220/5224/5235/5324/5330/ 5340 IP Phone or 8528/8568 Digital Phone

(see Figure **A** on previous page)

- 1 Ensure that the system is programmed to recognize the IP PKM 48, and that a Mitel-qualified technician has installed an IP PKM IM in your phone.
- 2 5220/8528/8568 Only: Ensure that the phone is connected to the system, and that the appropriate DC adapter is plugged into the power jack under the phone.
- 3 Plug the modular cable into the jack under the IP PKM 48 and the IP PKM IM on the phone. The LEDs will temporarily flash, and then go out. Continually flashing LEDs indicate incorrect installation or programming.
- 4 Route and bundle excess cable, and tuck it underneath the phone stand.
- 5 Program the keys as described in your 5220/5224/5235/5324/5330/5340 IP Phone or 8528/8568 Digital Phone user guides located at www.edocs.mitel.com. Your System Administrator may have to program some features.

NOTE: The IP PKM 48 will not function until it is identified in Customer Data Entry programming by your System Administrator.

To attach a second IP PKM 48 to a 5220/5224/5235/5324/ 5330/5340 IP Phone or 8528/8568 Digital Phone

(see Figure **B** on previous page)

- 1 Ensure that the phone and first IP PKM 48 are configured and powered as described in Steps 1 to 5, above.
- 2 Plug the modular cable into the jack under the first IP PKM 48 and the jack under the second IP PKM 48. The LEDs will temporarily flash, and then go out. Continually flashing LEDs indicate incorrect installation or programming.
- 3 Bundle excess cable and program the second IP PKM 48 as described in Steps 4 and 5, above.

Notice to Canadian Customers

This Class B digital apparatus complies with Canadian ICES-003.

Notice to U.S. Customers

This equipment has been tested and found to comply with the limits for a Class B digital device, pursuant to Part 15 of the FCC Rules. These limits are designed to provide reasonable protection against harmful interference in a residential installation. This equipment generates, uses, and can radiate radio frequency energy and, if not installed and used in accordance with the instruction manual, may cause harmful interference to radio communications. However, there is no guarantee that interference will not occur in a particular installation. If this equipment does cause harmful interference to radio or television reception, which can be determined by turning the equipment off and on, the user is encouraged to try to correct the interference by one or more of the following measures:

- Reorient or relocate the receiving antenna.
- Increase the separation between the equipment and receiver.
- Connect the equipment into an outlet on a circuit different from that to which the receiver is connected.
- Consult the dealer or an experienced radio/TV technician for help.

This equipment is not for connection to the telephone network or public coin service. It is only for use when connected to Mitel systems.

NOTE: Changed or modifications not expressly approved by Mitel Corporation may void the user's right to operate equipment the equipment.

WHEN PROGRAMMING EMERGENCY NUMBERS AND (OR) MAKING TEST CALLS TO EMERGENCY NUMBERS:

- Remain on the line and briefly explain to the dispatcher the reason for the call.
- Perform such activities in the off-peak hours, such as early morning or late evenings.

NOTICE TO CUSTOMERS IN EU COUNTRIES

DECLARATION OF CONFORMITY

We, Mitel Networks Ltd.
Of, Mitel Business Park
Portskewett
Monmouthshire
NP26 5YR
UK



Declare that for the hereinafter mentioned product the presumption of conformity with the applicable essential requirements of

DIRECTIVE 1999/5/EC OF THE EUROPEAN

PARLIAMENT (RTTE DIRECTIVE) AND OF THE COUNCIL

is given.

Mitel Networks IP Programmable Key Module (PKM) Interface Module (IM), IP PKM 12, IP PKM48

Any unauthorized modification of the product voids this Declaration. For a copy of the original signed Declaration of Conformity (in full conformance with EN45014), please contact the Regulatory Approvals Manager at the above address.

Précautions et consignes importantes en matière de sécurité

AVERTISSEMENT : NE CONNECTEZ PAS VOTRE APPAREIL DIRECTEMENT AU RÉSEAU TÉLÉPHONIQUE PUBLIC COMMUTÉ (RTPC). TOUTE CONNEXION DE CE TÉLÉPHONE À UNE INSTALLATION HORS LIEUX, À UNE INSTALLATION HORS RÉSEAU, À TOUTE AUTRE INSTALLATION D'UN RÉSEAU NON PROTÉGÉ, OU À TOUT ÉQUIPEMENT AUTRE QUE LES INSTALLATIONS PRÉVUES PEUT ENTRAÎNER DES RISQUES POUR LA SÉCURITÉ, ET/OU UN FONCTIONNEMENT DÉFAILLANT, ET/OU DES DOMMAGES À L'ÉQUIPEMENT. « RÉSEAU NON PROTÉGÉ » SIGNIFIE TOUTE PORTION D'UN CIRCUIT SUJETTE À UN CONTACT ACCIDENTEL AVEC UN ÉCLAIRAGE ÉLECTRIQUE OU DES FILS ÉLECTRIQUES FONCTIONNANT SOUS UNE TENSION DE PLUS DE 300 V ENTRE LES CONDUCTEURS, OU SUJETTE À LA FOUDRE.

Entretien et réparation:

IP PKM est un appareil à module interchangeable. Aucune des pièces que renferme ce module ne peut être entretenue par l'utilisateur. Pour procéder à une réparation, retournez le module à un revendeur Mitel autorisé.

Ces avis peuvent figurer sur le produit ou dans la documentation technique :

DANGER	La mention Danger indique une situation dangereuse imminente qui, si elle n'est pas évitée, entraîne la mort ou des blessures graves.
AVERTISSEMENT	Un avertissement indique une situation potentiellement dangereuse, laquelle, si elle n'est pas évitée, pourrait entraîner la mort ou des blessures graves.
MISE EN GARDE	Une mise en garde indique une situation potentiellement dangereuse, laquelle, si elle n'est pas évitée, pourrait entraîner une blessure légère ou moyenne, ou encore endommager l'équipement ou des biens.

Ce symbole peut figurer sur le produit.

	Le point d'exclamation à l'intérieur d'un triangle équilatéral indique que d'importantes consignes de fonctionnement et de maintenance (entretien courant) sont incluses dans la documentation fournie avec le produit.
--	---

Précautions et consignes importantes en matière de sécurité

AVERTISSEMENT : NE LE BRANCHEZ PAS DIRECTEMENT SUR LE RÉSEAU TÉLÉPHONIQUE PUBLIC COMMUTÉ (RTPC). LA CONNEXION DE CE MODULE À UNE INSTALLATION HORS LIEUX OU HORS RÉSEAU, À UNE AUTRE INSTALLATION D'UN RÉSEAU NON PROTÉGÉ, OU À UN ÉQUIPEMENT AUTRE QUE LES INSTALLATIONS PRÉVUES PAR MITEL PEUT ENTRAÎNER DES RISQUES POUR LA SÉCURITÉ, UN FONCTIONNEMENT DÉFAILLANT OU DES DOMMAGES À L'ÉQUIPEMENT. "RÉSEAU NON PROTÉGÉ" SIGNIFIE TOUTE PORTION D'UN CIRCUIT SUJETTE À UN CONTACT ACCIDENTEL AVEC UN ÉCLAIRAGE ÉLECTRIQUE OU DES FILS ÉLECTRIQUES FONCTIONNANT SOUS UNE TENSION DE PLUS DE 300 V ENTRE LES CONDUCTEURS, OU SUJETTE À LA Foudre.


Entretien et réparation:

IP PKM est un appareil à module interchangeable. Aucune des pièces qu'il renferme ne peut être réparée par l'utilisateur. Pour procéder à une réparation, retournez le module à un revendeur Mitel agréé.

Ces avis peuvent figurer sur le produit ou dans la documentation technique.

DANGER	La mention Danger indique une situation dangereuse imminente qui, si elle n'est pas évitée, entraîne la mort ou des blessures graves.
AVERTISSEMENT	Un avertissement indique une situation potentiellement dangereuse, laquelle, si elle n'est pas évitée, pourrait entraîner la mort ou des blessures graves.
ATTENTION	La mention Attention indique une situation potentiellement dangereuse, laquelle, si elle n'est pas évitée, pourrait entraîner une blessure légère ou moyenne, ou encore endommager l'équipement ou des biens.

Ce symbole peut figurer sur le produit.

	Le point d'exclamation à l'intérieur d'un triangle équilatéral indique que d'importantes consignes de fonctionnement et de maintenance (entretien courant) figurent dans la documentation fournie avec le produit.
--	--

Instrucciones y precauciones de seguridad importantes

ADVERTENCIA: NO REALICE LA CONEXIÓN DIRECTAMENTE A LA RED TELEFÓNICA PÚBLICA CONMUTADA (PSTN). CUALQUIER CONEXIÓN DE ESTE MÓDULO A UNA APLICACIÓN FUERA DEL ESTABLECIMIENTO, APLICACIÓN FUERA DE LA PLANTA, APLICACIÓN DE PLANTA EXPUESTA O A CUALQUIER EQUIPO DISTINTO DE LA APLICACIÓN OBJETIVO, PUEDE PROVOCAR RIESGOS A LA SEGURIDAD, UNA OPERACIÓN DEFECTUOSA Y/O DAÑOS EN EL EQUIPO. "PLANTA EXPUESTA" SIGNIFICA EL LUGAR EN QUE CUALQUIER PARTE DE LOS CIRCUITOS ESTÉ EXPUESTA A UN POSIBLE CONTACTO CON RELÁMPAGOS O CONDUCTORES DE CORRIENTE QUE FUNCIONEN A UN VOLTAJE QUE EXCEDA LOS 300V ENTRE CONDUCTORES, O ESTÉ EXPUESTA A DESCARGAS ELÉCTRICAS DE RAYOS.


Mantenimiento y reparación:

IP PKM es una unidad reemplazable en terreno. El módulo no tiene piezas que el usuario pueda reparar. Para reparaciones, envíe el módulo a un distribuidor de Mitel autorizado.

Estos avisos pueden aparecer en el producto o en la documentación técnica.

PELIGRO	Peligro indica una situación de riesgo inminente que, si no se evita, puede provocar la muerte o lesiones graves.
ADVERTENCIA	Advertencia indica una posible situación de peligro que, si no se evita, puede ocasionar la muerte o lesiones graves.
PRECAUCIÓN	Precaución indica una posible situación peligrosa que, si no se evita, puede ocasionar lesiones menores o moderadas y/o daños a los equipos o a la propiedad.

Este símbolo puede aparecer en el producto.

	El signo de exclamación dentro de un triángulo equilátero indica que se incluyen instrucciones importantes de operación y mantenimiento (servicio) en la información que acompaña al producto.
---	--

Medidas de seguridad y precauciones importantes

ADVERTENCIA: NO CONECTE DIRECTAMENTE EL TELÉFONO A LA RED TELEFÓNICA CONMUTADA PÚBLICA (RTC) CUALQUIER CONEXIÓN DE ESTE MÓDULO A UNA APLICACIÓN AJENA A LAS INSTALACIONES O A LA PLANTA, A CUALQUIER OTRA APLICACIÓN EXPUESTA DE LA PLANTA, O A CUALQUIER EQUIPO QUE DIFIERA DEL ESTABLECIDO, PUEDE SUPONER UN RIESGO PARA LA SEGURIDAD Y/O UN FUNCIONAMIENTO DEFECTUOSO, ASÍ COMO DAÑOS AL EQUIPO. POR "PLANTA EXPUESTA" SE ENTIENDE CUALQUIER PARTE DEL CIRCUITO QUE ESTÉ EXPUESTA AL CONTACTO ACCIDENTAL CON ILUMINACIÓN ELÉCTRICA O CONDUCTORES DE ENERGÍA CON UN VOLTAJE SUPERIOR A 300 V ENTRE CONDUCTORES O QUE ESTÉ EXPUESTA A DESCARGAS ELÉCTRICAS.


Mantenimiento y reparación:

IP PKM es una unidad que se puede sustituir. El módulo no contiene piezas reparables por el usuario. Si desea realizar una reparación, entregue el módulo a un proveedor autorizado de Mitel.

Estos avisos aparecen tanto en el producto como en la documentación técnica.

PELIGRO	Peligro indica una situación de riesgo inminente que, si no se evita, puede provocar la muerte o lesiones graves.
ADVERTENCIA	Advertencia indica una posible situación de peligro que, si no se evita, puede ocasionar la muerte o lesiones graves.
PRECAUCIÓN	Precaución indica una posible situación peligrosa que, si no se evita, puede ocasionar lesiones menores o moderadas o daños a los equipos o la propiedad.

Puede aparecer este símbolo en el producto.

	El signo de exclamación dentro de un triángulo equilátero indica que se incluyen instrucciones importantes de operación y mantenimiento (servicio) en la documentación que acompaña al producto.
--	--

Instruções e precauções importantes sobre segurança

ADVERTÊNCIA: NÃO CONECTE DIRETAMENTE À REDE TELEFÔNICA PÚBLICA COMUTADA (PSTN). QUALQUER CONEXÃO DESTE MÓDULO A UMA APLICAÇÃO QUE NÃO FAÇA PARTE DAS INSTALAÇÕES, UMA APLICAÇÃO DE UMA INSTALAÇÃO EXTERNA, QUALQUER OUTRA APLICAÇÃO EXPOSTA OU A QUALQUER EQUIPAMENTO QUE NÃO SEJA A APLICAÇÃO DESTINADA A ELE PODE RESULTAR EM PERIGO DE SEGURANÇA, E/OU OPERAÇÃO DEFEITUOSA, E/OU DANOS AO EQUIPAMENTO. "INSTALAÇÃO EXPOSTA" SIGNIFICA QUE ALGUMA PARTE DO CIRCUITO ESTÁ SUJEITA A CONTATO ACIDENTAL COM AS FAISCAS ELÉTRICAS OU CONDUTORES DE ENERGIA OPERANDO EM UMA TENSÃO QUE EXCEDA 300 V ENTRE CONDUTORES OU ESTÃO SUJEITOS A RAIOS.


Manutenção e reparo:

IP PKM é uma unidade substituível no campo. Não há peças dentro do módulo que podem ser consertadas pelo usuário. Para reparos, leve o módulo a um revendedor autorizado da Mitel.

Esses avisos aparecerão no produto ou na documentação técnica.

PERIGO	Perigo indica uma situação de risco inminente que, se não for evitada, poderá resultar em morte ou ferimento grave.
ADVERTÊNCIA	Advertência indica uma situação de risco em potencial que, se não for evitada, poderá resultar em morte ou ferimento grave.
CUIDADO	Cuidado indica uma situação de risco em potencial que, se não for evitada, poderá resultar em ferimentos menores ou moderados e/ou danos ao equipamento ou à propriedade.

Este símbolo poderá estar no produto.

	O ponto de exclamação dentro do triângulo equilátero indica que instruções importantes de operação e manutenção (serviço) estão incluídas no manual que acompanha o produto.
---	--

Instruções e precauções de segurança importantes

AVISO: NÃO LIGUE DEIRECTAMENTE À REDE TELEFÓNICA PÚBLICAS COMUTADA (PSTN). QUALQUER LIGAÇÃO DESTE MÓDULO A UMA APLICAÇÃO EXTERIOR ÀS INSTALAÇÕES, A UMA APLICAÇÃO EXTERIOR AO MATERIAL, A QUALQUER OUTRA APLICAÇÃO DE MATERIAL EXPOSTO OU A QUALQUER EQUIPAMENTO DIFERENTE DA APLICAÇÃO PLANEADA PODE POR EM PERIGO A SEGURANÇA E RESULTAR NUM FUNCIONAMENTO ANORMAL E/OU NUMA AVARIA DO EQUIPAMENTO. "MATERIAL EXPOSTO" SIGNIFICA QUALQUER PARTE DO CIRCUITO SUJEITA A CONTACTO ACIDENTAL COM RELÂMPAGOS OU CONDUTORES ELÉCTRICOS, A FUNCIONAR A UMA TENSÃO SUPERIOR A 300V ENTRE CONDUTORES, OU A QUEDA DE RELÂMPAGOS.


Manutenção e reparação

IP PKM é uma unidade facilmente substituível. Não existem peças com necessidade de reparação dentro do módulo. Para reparação, envie o módulo a um agente Mitel autorizado.

É possível que os seguintes avisos apareçam no produto ou na documentação técnica.

PERIGO	'Perigo' indica uma situação eminentemente perigosa que, se não for evitada, resultará na morte ou em ferimentos graves.
AVISO	'Aviso' indica uma situação potencialmente perigosa que, se não for evitada, poderá resultar na morte ou em ferimentos graves.
ATENÇÃO	'Atenção' indica uma situação potencialmente perigosa que, se não for evitada, poderá resultar em ferimentos ligeiros ou moderados e/ou em danos materiais.

É possível que os seguintes símbolos apareçam no produto.

	O ponto de exclamação dentro de um triângulo equilátero indica que os documentos que acompanham o produto incluem instruções de funcionamento e de manutenção (reparação) importantes.
--	--

Wichtige Sicherheitshinweise und Vorsichtsmaßnahmen

WARNING: NICHT DIREKT AN DAS ÖFFENTLICHE TELEFONNETZ (R2) ANSCHLIESSEN. ALLE VERBINDUNGEN DIESES MODULS MIT EINER AUSSER-HAUS-ANWENDUNG, EINER AUSSERBETRIEBLICHEN ANWENDUNG ODER EINER ANDEREN EXPONIERTEN BETRIEBSANWENDUNG ODER ANDEREN GERÄTEN ALS DER VORGEGEHENEN ANWENDUNG KÖNNEN ZU EINEM SICHERHEITSRISIKO UND/ODER EINEM FEHLERHAFTEN BETRIEB UND/ODER EINER BESCHÄDIGUNG DES GERÄTS FÜHREN. ALS „EXPONIERTER BETRIEB“ WIRD IN DIESEM ZUSAMMENHANG DIE MÖGLICHKEIT BEZEICHNET, DASS DIE LEITUNG VERSEHENTLICH MIT BLITZ ODER STROMLEITERN KONTAKT HABEN KANN, DIE EINE SPANNUNG VON MEHR ALS 300 V ZWISCHEN LEITERN AUFWEISEN ODER IN DIE DER BLITZ EINSCHLAGEN KANN.


Wartung und Instandsetzung:

IP PKM ist eine vor Ort austauschbare Einheit. Das Modul hat keine Komponenten, die vom Benutzer gewartet werden können. Sollte eine Reparatur erforderlich sein, übergeben Sie das Modul einem autorisierten Mitel-Händler.

Die folgenden Hinweise können am Produkt angebracht sein oder in der technischen Dokumentation verwendet werden.

GEFAHR	Gefahr bezeichnet eine unmittelbar gefährliche Situation, die, falls sie nicht ausgeschlossen werden kann, zum Tode oder zu einer schweren Körperverletzung führt.
WARNUNG	Warnung bezeichnet eine potenziell gefährliche Situation, die, falls sie nicht ausgeschlossen werden kann, zum Tode oder zu einer schweren Körperverletzung führen kann.
VORSICHT	Vorsicht bezeichnet eine potenziell gefährliche Situation, die, falls sie nicht ausgeschlossen werden kann, zu leichten oder mittelschweren Körperverletzungen führen und/oder Geräte oder Inventar beschädigen kann.

Das folgende Symbol kann auf dem Produkt angebracht sein.

	Das Ausrufezeichen in einem gleichschenkligen Dreieck gibt an, dass die Begleitdokumentation des Produkts wichtige Betriebs- und Wartungsanleitungen enthält.
---	---

Istruzioni e precauzioni per la sicurezza

AVVERTENZA: NON COLLEGARE IL PRODOTTO DIRETTAMENTE ALLA RETE TELEFONICA PUBBLICA COMMUTATA (PSTN). L'EVENTUALE COLLEGAMENTO DI QUESTO MODULO A UN'APPLICAZIONE CHE NON SI TROVI IN SEDE O ALL'INTERNO DI UN IMPIANTO O A QUALSIASI APPLICAZIONE IN UN IMPIANTO ESPOSTO O A QUALSIASI APPARECCHIATURA NON SPECIFICATA PUÒ COMPORTARE UN RISCHIO PER LA SICUREZZA E/O IL FUNZIONAMENTO DIFETTOSO E/O DANNI ALL'APPARECCHIATURA. "IMPIANTO ESPOSTO" SIGNIFICA QUALSIASI PARTE DEL CIRCUITO SOGGETTO A CONTATTI ACCIDENTALI CON CONDUTTORI DI ENERGIA ELETTRICA O ALIMENTAZIONE FUNZIONANTI A UNA TENSIONE SUPERIORE A 300 V OPPURE SOGGETTO A SCARICHE ELETTRICHE.


Manutenzione e riparazione

IP PKM è un'unità sostituibile sul campo. All'interno del modulo non vi sono parti riparabili dall'utente. Per la riparazione, rivolgersi a un centro autorizzato Mitel.

I seguenti avvisi possono essere riportati sul prodotto o nella documentazione tecnica.

PERICOLO	Indica una situazione altamente pericolosa che, se non evitata, può causare la morte o lesioni gravi alle persone.
AVVERTENZA	Indica una situazione potenzialmente pericolosa che, se non evitata, può causare la morte o lesioni gravi alle persone.
ATTENZIONE	Indica una situazione potenzialmente pericolosa che, se non evitata, può causare lesioni minori alle persone e/o danni materiali all'apparecchio o alla proprietà.

Questo simbolo può essere presente sul prodotto.

	Il punto esclamativo contenuto in un triangolo indica che nella documentazione fornita con il prodotto sono riportate importanti istruzioni sul funzionamento e sulla manutenzione.
---	---

Belangrijke veiligheidsinstructies en voorzorgsmaatregelen

WAARSCHUWING: SLUIT DE TELEFOON NIET DIRECT AAN OP HET OPENBARE TELEFOONNETWERK (PSTN). AANSLUITING VAN DEZE MODULE OP EEN APPLICATIE BUITEN HET BEDRIJF OF BEDRIJFSTERREIN, EEN BLOOTGESTELDE APPLICATIE OF ANDERE APPARATUUR DAN DE BEDOELDE MITEL-APPLICATIE KAN LEIDEN TOT GEVAAR, EN/OF GEBREKKIGE WERKING, EN/OF BESCHADIGING VAN DE APPARATUUR. EEN 'BLOOTGESTELDE APPLICATIE' IS EEN APPLICATIE WAARVAN EEN DEEL VAN HET CIRCUIT ONDERWORPEN IS AAN ONVOORZIEN CONTACT MET ELEKTRISCHE VERLICHTING OF STROOMGELEIDERS MET EEN VOLTAGE VAN MEER DAN 300V TUSSEN GELEIDERS, OF ONDERWORPEN IS AAN BLIKSEMINSLAGEN.

Onderhoud en reparatie:

IP PKM niet goed functioneert, wordt de hele eenheid vervangen. De module bevat geen onderdelen die door de gebruiker moeten worden onderhouden. Voor reparatie kunt u de module retourneren naar een geautoriseerde leverancier van Mitel-producten.

Deze kennisgevingen worden mogelijk weergegeven op het product of in de technische documentatie.

GEVAAR	Gevaar verwijst naar een dreigende gevaarlijke situatie die, wanneer deze niet wordt vermeden, de dood of ernstige verwondingen tot gevolg kan hebben.
WAARSCHUWING	Waarschuwing verwijst naar een mogelijk gevaarlijke situatie die, wanneer deze niet wordt vermeden, de dood of ernstige verwondingen tot gevolg kan hebben.
VOORZICHTIG	Voorzichtig verwijst naar een mogelijk gevaarlijke situatie die, wanneer deze niet wordt vermeden, lichte verwondingen of letsel en/of schade aan de apparatuur of eigendommen tot gevolg kan hebben.

Dit symbool wordt mogelijk op het product weergegeven.

	Een driehoek met een uitroepteken geeft aan dat de documentatie bij het product belangrijke instructies bevat voor de bediening en het onderhoud van de apparatuur.
--	---

57011261CN Rev. C

TM, [®] Trademark of Mitel Corporation. © Copyright 2012, Mitel Corporation. All rights reserved.

TM, [®] Marque de commerce de Mitel Corporation. © Copyright 2012, Mitel Corporation. Tous droits réservés.

TM, [®] Marca registrada de Mitel Corporation. © Copyright 2012, Mitel Corporation. Todos los derechos reservados.

TM, [®] Marca registrada da Mitel Corporation. © Copyright 2012, Mitel Corporation. Todos os direitos reservados.

TM, [®] Marke der Mitel Corporation. © Copyright 2012, Mitel Corporation. Alle Rechte vorbehalten.

TM, [®] Marchio di Mitel Corporation © Copyright 2012, Mitel Corporation. Tutti i diritti riservati.

TM, [®] Handelsmerk van Mitel Corporation. © Copyright 2012, Mitel Corporation. Alle rechten voorbehoud

Printed in China