



**OPERATOR'S MANUAL  
MANUEL de L'UTILISATEUR  
MANUAL del OPERADOR**



**Catalog No.  
No de Cat.  
Catálogo No.  
6560 Series  
Série 6560  
Serie 6560**

**To extend battery pack life:**

- Follow the "BATTERY PACK CARE AND USE" section of this manual.
- Charge battery packs before use.
- Follow the charging instructions in your charger manual.

**Pour étendre la durée de vie de la batterie:**

- Suivre les instructions de la section «UTILISATION ET ENTRETIEN DE LA BATTERIE» de ce manuel.
- Charger les batteries avant de les utiliser.
- Suivre les instructions de charge du manuel du chargeur.

**Para extender la duración de la batería:**

- Seguir la sección "USO Y CUIDADO DE LA BATERÍA" en este manual.
- Cargar las baterías antes de usarlas.
- Seguir las instrucciones de carga en el manual del cargador.

**12/14.4V CAULK AND ADHESIVE GUN  
PISTOLET À COLLE ET CALFEUTRAGE 12/14,4V  
PISTOLA DE CALAFATEO Y APLICACION DE ADHESIVO DE 12/14,4V**

***TO REDUCE THE RISK OF INJURY, USER MUST READ AND UNDERSTAND OPERATOR'S MANUAL.***

***AFIN DE RÉDUIRE LE RISQUE DE BLESSURES, L'UTILISATEUR DOIT LIRE ET BIEN COMPRENDRE LE MANUEL DE L'UTILISATEUR.***

***PARA REDUCIR EL RIESGO DE LESIONES, EL USUARIO DEBE LEER Y ENTENDER EL MANUAL DEL OPERADOR.***

## GENERAL SAFETY RULES-FOR ALL BATTERY OPERATED TOOLS



**WARNING!**

### READ ALL INSTRUCTIONS

Failure to follow all instructions listed below may result in electric shock, fire and/or serious injury. The term "power tool" in all of the warnings listed below refers to your mains-operated (corded) power tool or battery-operated (cordless) power tool.

**SAVE THESE INSTRUCTIONS**

### WORK AREA SAFETY

1. **Keep work area clean and well lit.** Cluttered or dark areas invite accidents.
2. **Do not operate power tools in explosive atmospheres, such as in the presence of flammable liquids, gases, or dust.** Power tools create sparks which may ignite the dust or fumes.
3. **Keep children and bystanders away while operating a power tool.** Distractions can cause you to lose control.

### ELECTRICAL SAFETY

4. **Power tool plugs must match the outlet. Never modify the plug in any way. Do not use any adapter plugs with earthed (grounded) power tools.** Unmodified plugs and matching outlets will reduce risk of electric shock.
5. **Avoid body contact with earthed or grounded surfaces such as pipes, radiators, ranges and refrigerators.** There is an increased risk of electric shock if your body is earthed or grounded.
6. **Do not expose power tools to rain or wet conditions.** Water entering a power tool will increase the risk of electric shock.
7. **Do not abuse the cord. Never use the cord for carrying, pulling, or unplugging the power tool. Keep cord away from heat, oil, sharp edges, or moving parts.** Damaged or entangled cords increase the risk of electric shock.

8. **When operating a power tool outdoors, use an extension cord suitable for outdoor use.** Use of a cord suitable for outdoor use reduces the risk of electric shock.

### PERSONAL SAFETY

9. **Stay alert, watch what you are doing and use common sense when operating a power tool. Do not use a power tool while you are tired or under the influence of drugs, alcohol or medication.** A moment of inattention while operating power tools may result in serious personal injury.
10. **Use safety equipment. Always wear eye protection.** Safety equipment such as dust mask, non-skid safety shoes, hard hat, or hearing protection used for appropriate conditions will reduce personal injuries.
11. **Avoid accidental starting. Ensure the switch is in the off-position before plugging in.** Carrying tools with your finger on the switch or plugging in power tools that have the switch on invites accidents.
12. **Remove any adjusting key or wrench before turning the power tool on.** A wrench or a key left attached to a rotating part of the power tool may result in personal injury.
13. **Do not overreach. Keep proper footing and balance at all times.** This enables better control of the power tool in unexpected situations.

14. **Dress properly. Do not wear loose clothing or jewellery. Keep your hair, clothing and gloves away from moving parts.** Loose clothes, jewellery, or long hair can be caught in moving parts.
15. **If devices are provided for the connection of dust extraction and collection facilities, ensure these are connected and properly used.** Use of these devices can reduce dust-related hazards.

### POWER TOOL USE AND CARE

16. **Do not force the power tool. Use the correct power tool for your application.** The correct power tool will do the job better and safer at the rate for which it was designed.
17. **Do not use the power tool if the switch does not turn it on and off.** Any power tool that cannot be controlled with the switch is dangerous and must be repaired.
18. **Disconnect the plug from the power source and/or the battery pack from the power tool before making any adjustments, changing accessories, or storing power tools.** Such preventive safety measures reduce the risk of starting the tool accidentally.
19. **Store idle power tools out of the reach of children and do not allow persons unfamiliar with the power tools or these instructions to operate power tools.** Power tools are dangerous in the hands of untrained users.
20. **Maintain power tools. Check for misalignment or binding of moving parts, breakage of parts and any other condition that may affect the power tool's operation. If damaged, have the power tool repaired before use.** Many accidents are caused by poorly maintained power tools.
21. **Keep cutting tools sharp and clean.** Properly maintained cutting tools with sharp cutting edges are less likely to bind and are easier to control.

22. **Use the power tool, accessories and tool bits etc., in accordance with these instructions and in the manner intended for the particular type of power tool, taking into account the working conditions and the work to be performed.** Use of the power tool for operations different from those intended could result in a hazardous situation.

### BATTERY TOOL USE AND CARE





23. **Ensure the switch is in the off position before inserting battery pack.** Inserting the battery pack into power tools that have the switch on invites accidents.
24. **Recharge only with the charger specified by the manufacturer.** A charger that is suitable for one type of battery pack may create a risk of fire when used with another battery pack.
25. **Use power tools only with specifically designated battery packs.** Use of any other battery packs may create a risk of injury and fire.
26. **When battery pack is not in use, keep it away from other metal objects like paper clips, coins, keys, nails, screws, or other small metal objects that can make a connection from one terminal to another.** Shorting the battery terminals together may cause burns or a fire.
27. **Under abusive conditions, liquid may be ejected from the battery, avoid contact. If contact accidentally occurs, flush with water. If liquid contacts eyes, additionally seek medical help.** Liquid ejected from the battery may cause irritation or burns.

### SERVICE

28. **Have your power tool serviced by a qualified repair person using only identical replacement parts.** This will ensure that the safety of the power tool is maintained.

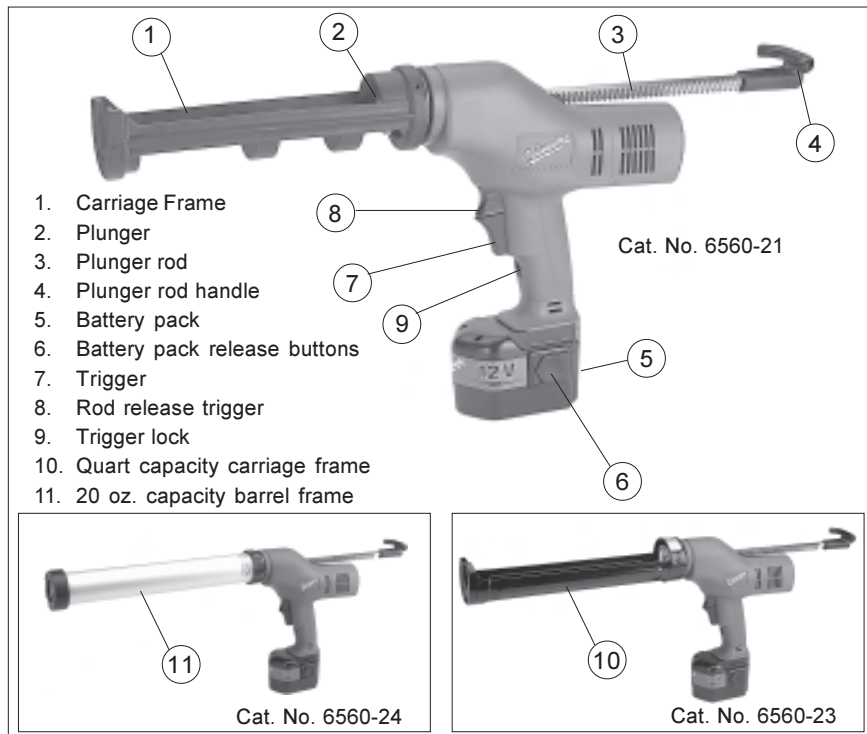
## SPECIFIC SAFETY RULES

1. **Keep hands out of the plunger and plunger rod area of the caulk gun.** Fingers can be pinched between the tube holder and the plunger.
2. **Maintain labels and nameplates.** These carry important information. If unreadable or missing, contact a *MILWAUKEE* service facility for a free replacement.

Symbology	
  <b>Ni - Cd</b>	Properly Recycle Nickel Cadmium Batteries
	Direct Current
	Underwriters Laboratories, Inc.

Specifications	
Cat. No.	Volts
<b>6560 Series</b>	12/14.4 DC
<b>48-59-0255</b> Battery Charger	120 AC


## FUNCTIONAL DESCRIPTION





## BATTERY PACK CARE AND USE

### EXTENDING AND MAINTAINING BATTERY PACK LIFE

*MILWAUKEE* battery packs will operate for many years and/or hundreds of cycles when they are used, charged, and stored according to these instructions. Properly using, charging, and storing your battery pack can greatly extend its life.

 **Charge the new battery pack overnight before use to allow the cells to become fully charged.** New battery packs are not fully charged. Two to ten normal charging/discharging cycles may be required before the pack can take its maximum charge.

 **Never completely discharge the battery pack.** *MILWAUKEE* battery packs do not develop a "memory" when charged after only a partial discharge. Taping-on triggers or leaving work lights on for extended periods to completely discharge the battery pack will reduce its life by upsetting the electrochemical balance and can result in short-circuiting of the battery.


 **Do not charge batteries in hot or cold places** (below 40°F (5°C) or above 105°F (40°C)). Temperature extremes reduce the ability for battery pack cells to hold a charge. Do not store batteries where the temperature may exceed 120°F (50°C), such as in a vehicle or metal building during the summer.

**To avoid overheating to a battery pack, allow cordless tools cool down between high torque drilling/cutting applications.** The increased energy discharge rate will heat the battery pack cells faster than the cells can release the heat. This could damage the cells.

**After use, allow a hot battery pack to cool to room temperature before inserting it into the charger.** If a hot battery is put on a charger, charging will not begin until the battery has cooled to a safe temperature. See your charger manual for more information on charging temperatures. Charging a hot battery will damage the cells.

**Never forcibly heat up or cool down batteries.** This will damage some cells in the pack, causing them to not be able to hold a charge.


**Remove the battery pack from the tool for charging when the tool can no longer perform its intended function** (i.e., drilling, cutting, etc.).

 **Leave the battery pack on the charger after it has reached a full charge;** the pack will continue to receive a trickle charge to ensure capacity is maintained.

**Occasionally (once a week) leave the batteries on the charger overnight to help maintain cell balance.**

**Do not store the battery on the charger (for more than 24 hours); this could reduce battery life.**

**Never leave batteries on chargers where power interruptions are common.** Damage to the battery cells could occur.

 **Store batteries at room temperature away from moisture.** Do not store in damp locations where corrosion of terminals may occur.

**Do not submerge your battery or cordless tools in water.** This will damage the battery and tool.

**Charge unused batteries overnight at least every six months to maximize battery life.** Unused batteries discharge at a rate of about 1% per day and will be fully discharged after six months. For batteries stored for a long time, two to ten normal charging cycles may be required before the pack is fully charged.

**Do not use oil or solvents to clean or lubricate your battery pack.** The plastic casing will become brittle and crack, causing a risk of injury.

**WARNING!**

Charge only **MILWAUKEE** 12, 14.4 and 18 Volt battery packs in **MILWAUKEE** chargers. Other brands of batteries may explode causing personal injury and damage.

For specific charging instructions, please read the operator's manual supplied with your charger.

### Inserting Battery Pack into Tool

For all models:

Battery pack can be inserted into the tool in two ways.

1. For working in restricted spaces: Insert the battery pack from the front by pressing in the release buttons and sliding battery pack into the body of the tool (Fig. 1). Insert the battery pack until clamp engages.



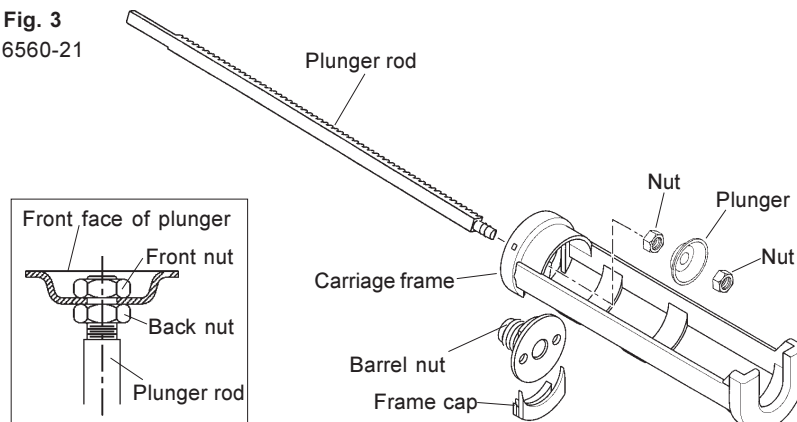
2. For optimum weight distribution and balance: Insert the battery pack from the back by pressing in the release buttons and sliding the battery pack into the body of the tool (Fig. 2). Insert the battery pack until clamp engages.



**NOTE:** A 12 volt battery is supplied with this tool. To extend run time or increase plunger speed, a 14.4 volt battery may be used.

## ASSEMBLY

Fig. 3  
6560-21



**WARNING!**

Always lock trigger or remove battery pack before changing or removing accessories. Only use accessories specifically recommended for this tool. Others may be hazardous.

### Installing 10oz Carriage Frame Assembly (Cat. No. 6560-21) (Fig. 3)

1. Lock trigger or remove battery pack.
2. Press in and hold rod release trigger.
3. Grasp plunger rod handle and pull plunger rod back until the rod tip is just inside of tool.
4. Release rod release trigger.
5. Thread barrel nut attached to tube holder onto nose of the tool. Tighten with spanner wrench by placing wrench into two smaller holes in barrel nut and turning clockwise.

**NOTE:** The frame cap, barrel nut, and carriage frame are provided pre-assembled.

6. Press rod release trigger and push plunger rod forward to access the threads on rod.
7. Thread nuts and plunger onto the plunger rod in order shown (Fig. 3). Tighten back nut securely using the wrench provided.

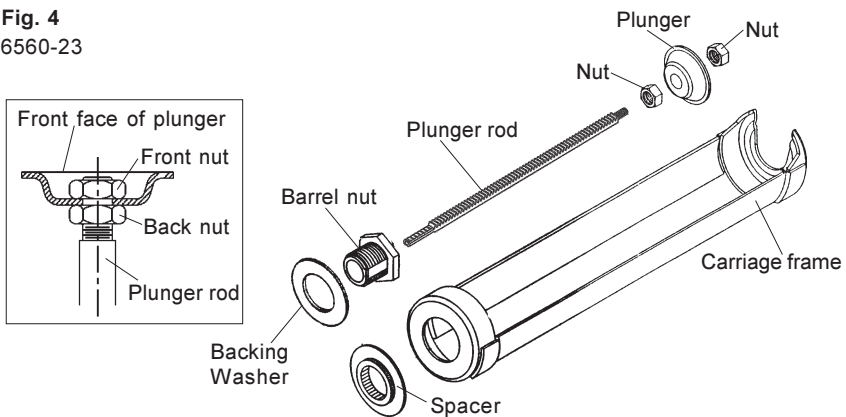
**NOTE:** Make sure the front nut and plunger rod do not extend past the front face of the plunger. If either part extends past the plunger, the back cap of the material tube may rupture.

8. To remove carriage frame, reverse procedure.

**WARNING!**

To reduce the risk of injury, keep hands out of the plunger area of the tool. Fingers can be pinched between the tube holder and the plunger.

**Fig. 4**  
6560-23



**WARNING!**

Always lock trigger or remove battery pack before changing or removing accessories. Only use accessories specifically recommended for this tool. Others may be hazardous.

**Installing 30oz Carriage Frame Assembly (Cat. No. 6560-23) (Fig. 4)**

1. Lock trigger or remove battery pack.
2. Press in and hold rod release trigger.
3. Grasp plunger rod handle and pull plunger rod back until the rod tip is just inside of tool.
4. Release rod release trigger.
5. Insert spacer into front face of tool body. The side with the larger diameter hub fits inside the tool. Place carriage frame over washer. Assemble backing washer and barrel nut to tool as shown (Fig. 4). Tighten Barrel nut with wrench provided.

6. Press rod release trigger and push plunger rod forward to access the threads on rod.
7. Thread nuts and plunger onto the plunger rod in order shown (Fig. 4). Tighten back nut securely using the wrench provided.

**NOTE:** Make sure the front nut and plunger rod do not extend past the front face of the plunger. If either part extends past the plunger, the back cap of the material tube may rupture.

8. To remove carriage frame, reverse procedure.

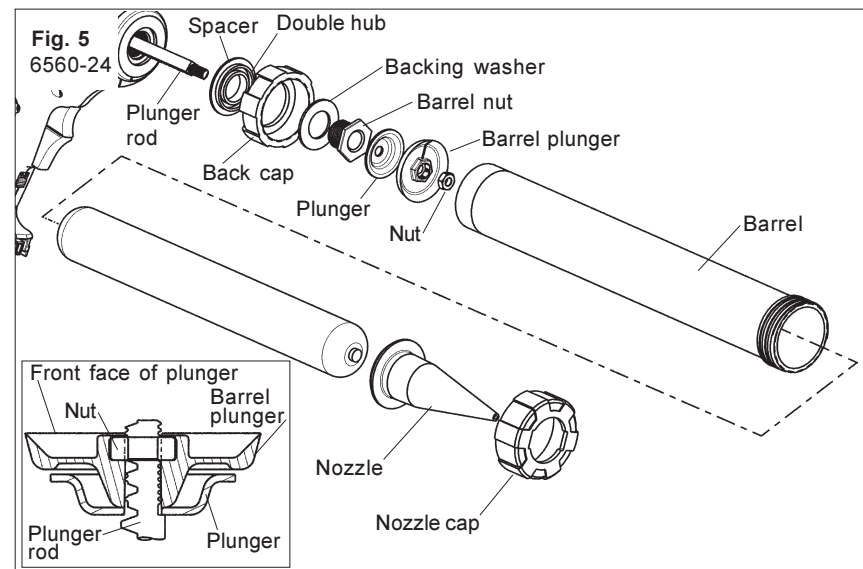
**WARNING!**

To reduce the risk of injury, keep hands out of the plunger area of the tool. Fingers can be pinched between the tube holder and the plunger.

**Installing Caulk or Adhesive Tube**

1. Lock trigger or remove battery pack.
2. Cut nozzle of tube at an angle and size per manufacturer's recommendation to suit the job. A smaller nozzle diameter requires more force to push the caulk and reduces battery life.
3. Break inner seal of tube using a long nail or piece of wire. If the inner seal is not broken, the caulk material may be forced out the rear end of the tube and damage the tool.
4. Press in and hold rod release trigger.
5. Grasp plunger rod handle and pull plunger rod back to allow the caulk tube to fit inside carriage frame.
6. Insert caulk tube into carriage frame.
7. Push plunger rod handle forward until the plunger is against the caulk tube.
8. Release rod release trigger.

**NOTE:** Before using a partially filled tube, remove any hardened material with a long nail or piece of wire.



**Installing Barrel Assembly (Cat. No. 6560-24) (Fig.5)**

1. Lock trigger or remove battery pack.
2. Press in and hold rod release trigger.
3. Grasp plunger rod handle and pull plunger rod back until the rod tip is just inside of tool.
4. Release rod release trigger.
5. Position spacer and back cap (fine threads) onto nose of the tool as shown (Fig. 5). The side of the spacer with the double hub fits inside the back cap.
6. Place backing washer on top of back cap and thread barrel nut into nose of the tool as shown (Fig. 5). Tighten nut using the spanner end of the wrench provided with the tool.
7. Press rod release trigger and push plunger rod forward to access the threads on rod.
8. Thread plunger, barrel plunger and nut onto the plunger rod in order shown (Fig. 5).
9. Thread barrel tube into back cap.
10. To remove barrel tube, reverse procedure.

### Installing Sausage Type Pack

Always check sausage packs for punctures or damage to the pack before installing. Do not use a damaged or frozen pack.

1. Lock trigger or remove battery pack.
2. Press in and hold rod release trigger.
3. Grasp plunger rod handle and pull plunger rod back to allow sausage pack to fit inside barrel tube.
4. Insert pack into barrel tube.
5. Cut off end of sausage pack.

**NOTE:** Before using a partially filled pack, remove any hardened material.

6. Insert nozzle supplied with the sausage pack into the nozzle cap (coarse thread). Thread nozzle cap onto the front of barrel tube.
7. Cut nozzle at an angle and size per manufacturer's recommendation to suit the job. A smaller nozzle diameter requires more force to push the caulk and reduces battery life.
8. Press in and hold rod release trigger.
9. Push plunger rod handle forward until plunger is against sausage pack.
10. Release rod release trigger.

## OPERATION



### WARNING!

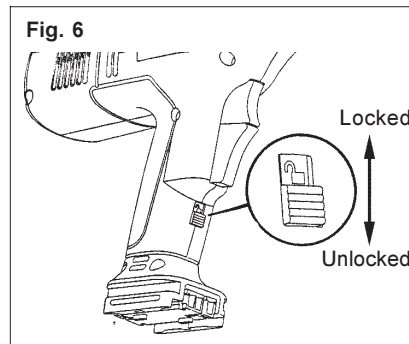
When tool is not in use, lock trigger to prevent the tool from being accidentally turned on.

### Starting and Stopping and Controlling Speed

1. Pull trigger to dispense caulk.
2. Increase or decrease pressure on trigger to adjust the speed for proper bead width and material feed rate. Material type, temperature and nozzle diameter will all affect flow rate. When using a tube or pack with a smaller nozzle diameter use a slower speed or the material may be forced around the rear tube seat.
3. Release trigger to stop dispensing caulk.

### Locking the Trigger (Fig. 6)

Always lock trigger or remove battery pack before changing accessories or performing maintenance. Lock trigger when the tool is not in use and when storing the tool.



1. To **lock** the trigger, push trigger lock in the direction shown. The trigger will not work when the trigger lock in the locked position.
2. To **unlock** the trigger, push the trigger lock in the direction shown.

### Adjusting Plunger Rod

1. To manually adjust plunger rod, press in and hold rod release trigger.
2. Grasp plunger rod handle and either push or pull rod in or out.
3. Release rod release trigger.

**NOTE:** Keep plunger rod clean of material. Retracting a plunger that is covered with material may damage the internal parts of the tool.

### Electronic Overload Protection

The gun is protected by an electronic overload protection feature. If too much pressure is exerted on the tube, the motor will automatically reverse for one second, and then shut down. This helps to prevent damage to the tool and the caulk tube or pack.

If the motor shuts off, make sure that:

- Nozzle tip is cut
- Inner seal in the caulk tube is broken
- Hardened material is removed from the nozzle
- Caulk tube is not damaged or frozen
- Plunger rod is free of caulk/adhesive materials

Release trigger to allow the electronics to reset. If the motor continues to shut off, try another tube of material or take the tool to a *MILWAUKEE* Service Center.

### Auto-Reverse Mechanism

This tool has an auto-reverse feature that reverses the plunger when the trigger is pressed for more than 2 seconds and released. This feature helps stop excess material from continuing to flow.

Pulsing the trigger will deactivate the auto-reverse mechanism and allow for continued pressure on the tube. This helps maintain a slower material feed rate.

### Auto-Shut Off

When a caulk tube is empty, the auto-shut off feature will turn the motor off. Pull the plunger back and replace the tube.

**Caution:** Unexplained tool shut-off or auto-reverse may be due to caulk or adhesive material on the plunger rod. Plunger rod must remain clean and free of all caulk and adhesive material. If material does get on plunger rod mechanism, remove the plunger rod and clean the material off of the rod and tool with a brush and solvent according to the caulk or adhesive material's manufacturer.

## MAINTENANCE



### WARNING!

To reduce the risk of personal injury, always unplug the charger and remove the battery pack from the charger or tool before performing any maintenance. Never disassemble the tool, battery pack or charger. Contact a MILWAUKEE service facility for ALL repairs.

### Maintaining Tool

Keep your tool, battery pack and charger in good repair by adopting a regular maintenance program. After six months to one year, depending on use, return the tool, battery pack and charger to a MILWAUKEE service facility for:

- Lubrication
- Brush inspection and replacement
- Mechanical inspection and cleaning (gears, spindles, bearings, housing, etc.)
- Electrical inspection (battery pack, charger, motor)
- Testing to assure proper mechanical and electrical operation

If the tool does not start or operate at full power with a fully charged battery pack, clean the contacts on the battery pack. If the tool still does not work properly, return the tool, charger and battery pack to a MILWAUKEE service facility for repairs.

### Maintaining Battery Pack

MILWAUKEE battery packs will operate for many years and/or hundreds of cycles when they are maintained and used according to these instructions.

A battery pack that is stored for six months without being used will discharge itself. Batteries discharge at a rate of about 1% per day. Charge the battery every six months even if it is unused to maximize battery life. Do not tape the trigger in the "ON" position and leave the tool unattended as this may discharge the battery to a point where it will no longer be able to recharge. Use a MILWAUKEE battery pack only until it no longer performs with the power and torque needed for your application.

Store your battery pack in a cool, dry place. Do not store it where the temperature may exceed 120°F (50°C) such as in a vehicle or metal building during the summer. High temperatures will overheat the battery pack, reducing battery life. If it is stored for several months, the battery pack will gradually lose its charge. One to three cycles of charging and discharging through normal use will restore the capacity of the battery pack. During the life of the battery pack, the operating time between charges becomes shorter. If the operating time becomes extremely short after a proper charge, the usable life of the battery pack has been reached and it should be replaced.



### WARNING!

To reduce the risk of personal injury and damage, never immerse your tool, battery pack or charger in liquid or allow a liquid to flow inside them.

### Cleaning

Clean dust and debris from charger and tool vents. Keep tool handles clean, dry and free of oil or grease. Use only mild soap and a damp cloth to clean the tool, battery pack and charger since certain cleaning agents and solvents are harmful to plastics and other insulated parts. Some of these include gasoline, turpentine, lacquer thinner, paint thinner, chlorinated cleaning solvents, ammonia and household detergents containing ammonia. Never use flammable or combustible solvents around tools.



### WARNING!

To reduce the risk of explosion, never burn a battery pack even if it is damaged, dead or completely discharged.

### RBRC Battery Recycling Seals

The RBRC™ Battery Recycling Seals (see "Symbology") on your tool battery packs indicate that MILWAUKEE has arranged for the recycling of that battery pack with the

Rechargeable Battery Recycling Corporation (RBRC). At the end of your battery pack's useful life, return the battery pack to a MILWAUKEE Branch Office/Service Center or the participating retailer nearest you. For more information, visit the RBRC web site at [www.rbrc.org](http://www.rbrc.org).

### Disposing of Nickel-Cadmium Battery Packs

Nickel-Cadmium battery packs are recyclable. Under various state and local laws, it may be illegal to dispose of this battery into the municipal waste stream. Dispose of your battery pack according to federal, state and local regulations.

### Repairs

For repairs, return the tool, battery pack and charger to the nearest service center listed on the back cover of this operator's manual.

### Battery Pack Warranty

Battery packs for cordless tools are warranted for one year from the date of purchase.

## ACCESSORIES



### WARNING!

Always remove battery pack before changing or removing accessories. Only use accessories specifically recommended for this tool. Others may be hazardous.

For a complete listing of accessories refer to your MILWAUKEE Electric Tool catalog or go on-line to [www.milwaukeetool.com](http://www.milwaukeetool.com). To obtain a catalog, contact your local distributor or a service center.

#### 10oz. Carriage Frame Kit

Cat. No. 48-08-1000, must use 49-52-0500 Rack

#### 30oz. Carriage Frame Kit

Cat. No. 48-08-1010, must use 49-52-0525 Rack

#### 10oz. Sausage Pack Barrel Kit

Cat. No. 48-08-1020, must use 49-52-0500 Rack

#### 20oz. Sausage Pack Barrel Kit

Cat. No. 48-08-1030, must use 49-52-0515 Rack

## FIVE YEAR TOOL LIMITED WARRANTY

Every MILWAUKEE tool is tested before leaving the factory and is warranted to be free from defects in material and workmanship. MILWAUKEE will repair or replace (at MILWAUKEE's discretion), without charge, any tool (including battery chargers) which examination proves to be defective in material or workmanship from five (5) years after the date of purchase. Return the tool and a copy of the purchase receipt or other proof of purchase to a MILWAUKEE Factory Service/Sales Support Branch location or MILWAUKEE Authorized Service Station, freight prepaid and insured. This warranty does not cover damage from repairs made or attempted by other than MILWAUKEE authorized personnel, abuse, normal wear and tear, lack of maintenance, or accidents.

Battery Packs, Flashlights, and Radios are warranted for one (1) year from the date of purchase.

THE REPAIR AND REPLACEMENT REMEDIES DESCRIBED HEREIN ARE EXCLUSIVE. IN NO EVENT SHALL MILWAUKEE BE LIABLE FOR ANY INCIDENTAL, SPECIAL, OR CONSEQUENTIAL DAMAGES, INCLUDING LOSS OF PROFITS.

THIS WARRANTY IS EXCLUSIVE AND IN LIEU OF ALL OTHER WARRANTIES, OR CONDITIONS, WRITTEN OR ORAL, EXPRESSED OR IMPLIED FOR MERCHANTABILITY OR FITNESS FOR PARTICULAR USE OR PURPOSE.

This warranty gives you specific legal rights. You may also have other rights that vary from state to state and province to province. In those states that do not allow the exclusion of implied warranties or limitation of incidental or consequential damages, the above limitations or exclusions may not apply to you. This warranty applies to the United States, Canada, and Mexico only.

## RÈGLES GÉNÉRALES DE SÉCURITÉ POUR LES OUTILS ALIMENTÉS PAR BATTERIE



### AVERTISSEMENT!

#### LIRE SOIGNEUSEMENT TOUTES LES INSTRUCTIONS

Le non respect des instructions ci-après peut entraîner des chocs électriques, des incendies et/ou des blessures graves. Le terme «outil électrique» figurant dans les avertissements ci-dessous renvoie à l'outil électrique à alimentation par le réseau (à cordon) ou par batterie (sans fil).

#### CONSERVER CES INSTRUCTIONS

### SÉCURITÉ DU LIEU DE TRAVAIL

1. **Maintenir la zone de travail propre et bien éclairée.** Les zones encombrées ou mal éclairées sont favorables aux accidents.
2. **Ne pas utiliser d'outil électrique dans une atmosphère explosive, telle qu'en en présence de liquides, de gaz ou de poussières inflammables.** Les outils électriques génèrent des étincelles qui peuvent enflammer les poussières ou les fumées.
3. **Tenir les enfants et les personnes non autorisées à l'écart pendant le fonctionnement d'un outil électrique.** Un manque d'attention de l'opérateur risque de lui faire perdre le contrôle de l'outil.

### SÉCURITÉ ÉLECTRIQUE

4. **La fiche de l'outil électrique doit correspondre à la prise d'alimentation. Ne jamais modifier la fiche d'une manière quelconque. Ne pas utiliser d'adaptateur avec les outils électriques mis à la terre (à la masse).** Des fiches non modifiées et des prises d'alimentation assorties réduisent le risque de choc électrique.
5. **Éviter tout contact corporel avec des surfaces reliées à la masse ou à la terre telles que tuyaux, radiateurs, cuisinières et réfrigérateurs.** Un risque de choc électrique plus élevé existe si le corps est relié à la masse ou à la terre.

6. **Ne pas exposer les outils électriques à la pluie ou à l'humidité.** Le risque de choc électrique augmente si de l'eau s'infiltré dans un outil électrique.
7. **Prendre soin du cordon. Ne jamais utiliser le cordon pour transporter, tirer ou débrancher l'outil électrique.** Tenir le cordon à l'écart de la chaleur, des huiles, des arêtes coupantes ou des pièces en mouvement. Un cordon endommagé ou emmêlé présente un risque accru de choc électrique.
8. **Se procurer un cordon d'alimentation approprié en cas d'utilisation d'un outil électrique à l'extérieur.** L'utilisation d'un cordon d'alimentation pour usage extérieur réduit le risque de choc électrique.

### SÉCURITÉ INDIVIDUELLE

9. **Être sur ses gardes, être attentif et faire preuve de bon sens en utilisant un outil électrique. Ne pas utiliser un outil électrique en cas de fatigue ou sous l'influence de drogues, d'alcool ou de médicaments.** Un instant d'inattention lors de l'utilisation d'un outil électrique peut entraîner des blessures graves.
10. **Utiliser un équipement de sécurité. Toujours porter des lunettes de protection.** Un équipement de sécurité comprenant masque anti-poussière, chaussures de sécurité anti-dérapantes, casque ou dispositif de protection anti-bruit peut, dans les circonstances appropriées, réduire le risque de blessure.

11. **Éviter tout démarrage accidentel de l'outil. S'assurer que le commutateur est en position OFF (Arrêt) avant de brancher l'outil.** Le port de l'outil avec un doigt sur le commutateur ou son branchement avec le commutateur en position ON (Marche) sont favorables aux accidents.
12. **Retirer toute clé de réglage avant de mettre l'outil sous tension.** Une clé laissée attachée sur une pièce mobile de l'outil électrique peut entraîner des blessures.
13. **Ne pas travailler à bout de bras. Bien garder un bon équilibre à tout instant.** Ceci permet de mieux préserver la maîtrise de l'outil électrique dans des situations imprévues.
14. **Porter des vêtements adéquats. Ne pas porter de vêtements amples ni de bijoux. Ne pas approcher les cheveux, vêtements et gants des pièces en mouvement.** Les vêtements amples, les bijoux ou les cheveux longs risquent d'être happés par les pièces en mouvement.
15. **Si des dispositifs sont prévus pour l'extraction et la récupération des poussières, vérifier qu'ils sont connectés et utilisés correctement.** L'utilisation de ces dispositifs peut réduire les risques liés aux poussières.
16. **Ne pas forcer l'outil électrique. Utiliser l'outil électrique approprié à l'application considérée.** L'outil électrique adapté au projet considéré produira de meilleurs résultats, dans des conditions de sécurité meilleures, à la vitesse pour laquelle il a été conçu.
17. **Ne pas utiliser l'outil électrique si le commutateur ne le met pas sous ou hors tension.** Tout outil électrique dont le commutateur de marche-arrêt est inopérant est dangereux et doit être réparé.
18. **Débrancher la fiche de la prise d'alimentation et/ou la batterie de l'outil électrique avant d'effectuer des réglages, de changer d'accessoires ou de ranger l'outil.** De telles mesures de sécurité préventive réduisent le risque de mettre l'outil en marche accidentellement.
19. **Ranger les outils électriques inutilisés hors de la portée des enfants et ne pas laisser des personnes qui connaissent mal les outils électriques ou ces instructions utiliser ces outils.** Les outils électriques sont dangereux dans les mains d'utilisateurs non formés à leur usage.
20. **Entretien des outils électriques. S'assurer de l'absence de tout désalignement ou de grippage des pièces mobiles, de toute rupture de pièce ou de toute autre condition qui pourrait affecter le bon fonctionnement de l'outil électrique.** En cas de dommages, faire réparer l'outil avant de l'utiliser de nouveau. Les outils électriques mal entretenus sont à la source de nombreux accidents.
21. **Garder les outils de coupe affûtés et propres.** Les outils de coupe correctement entretenus et bien affûtés risquent moins de se gripper et sont plus faciles à manier.
22. **Utiliser cet outil électrique, les accessoires, les mèches, etc. conformément à ces instructions et de la façon prévue pour ce type particulier d'outil électrique, tout en prenant en compte les conditions de travail et le type de projet considérés.** L'utilisation de cet outil électrique pour un usage autre que l'usage prévu peut créer des situations dangereuses.
23. **S'assurer que le commutateur est en position OFF (Arrêt) avant d'insérer la batterie.** L'insertion de la batterie dans un outil électrique dont le commutateur est en position ON (Marche) est favorable aux accidents.

### UTILISATION ET ENTRETIEN DE L'OUTIL ÉLECTRIQUE

### UTILISATION ET ENTRETIEN DE LA BATTERIE



24. **Ne recharger la batterie qu'avec le chargeur spécifié par le fabricant.** Un chargeur qui convient à un type de batterie peut créer un risque d'incendie s'il est utilisé avec un autre type de batterie.
25. **N'utiliser les outils électriques qu'avec les batteries spécialement conçues pour eux.** L'utilisation de batteries d'autres marques peut créer un risque de blessure et d'incendie.
26. **Lorsque la batterie est hors service, la ranger à l'écart d'autres objets métalliques tels que trombones, pièces de monnaie, clés, clous, vis et autres petits objets métalliques qui peuvent établir une connexion d'une borne à l'autre.** Un court-circuit aux bornes de la batterie peut provoquer des brûlures ou un incendie.
27. **Du liquide peut être éjecté de la batterie en cas de manutention abusive ; éviter tout contact. En cas de contact accidentel avec les projections, rincer à l'eau. En cas de contact avec les yeux, consulter un médecin.** Le liquide s'échappant de la batterie peut provoquer des irritations ou des brûlures.

### ENTRETIEN

28. **Faire effectuer l'entretien de l'outil électrique par un technicien qualifié qui n'utilisera que des pièces de rechange identiques.** La sécurité d'utilisation de l'outil en sera préservée.

### RÈGLES DE SÉCURITÉ SPÉCIFIQUES





1. **Maintenir en l'état les étiquettes et les plaques d'identification.** Des informations importantes y figurent. Si elles sont illisibles ou manquantes, contacter un centre de services et d'entretien *MILWAUKEE* pour un remplacement gratuit.
2. **AVERTISSEMENT!** Certaines poussières générées par les activités de ponçage, de coupe, de rectification, de perçage et d'autres activités de construction contiennent des substances considérées être la cause de malformations congénitales et de troubles de l'appareil reproducteur. Parmi ces substances figurent:
  - le plomb contenu dans les peintures à base de plomb;
  - la silice cristalline des briques, du ciment et d'autres matériaux de maçonnerie, ainsi que
  - l'arsenic et le chrome des sciages traités chimiquement.

Les risques encourus par l'opérateur envers ces expositions varient en fonction de la fréquence de ce type de travail. Pour réduire l'exposition à ces substances chimiques, l'opérateur doit: travailler dans une zone bien ventilée et porter l'équipement de sécurité approprié, tel qu'un masque anti-poussière spécialement conçu pour filtrer les particules microscopiques.

### RÈGLES DE SÉCURITÉ PARTICULIÈRE

1. **Gardez les mains à l'écart du piston et de la tige de compression du pistolet à colle et calfeutrage.** Les doigts peuvent rester pincés entre le porte-tube et le piston.
2. **Entretenez les étiquettes et la plaque du fabricant.** Elles contiennent des renseignements importants. Si elles deviennent illisibles ou se perdent, adressez-vous à un centre-service *MILWAUKEE* pour les remplacer.

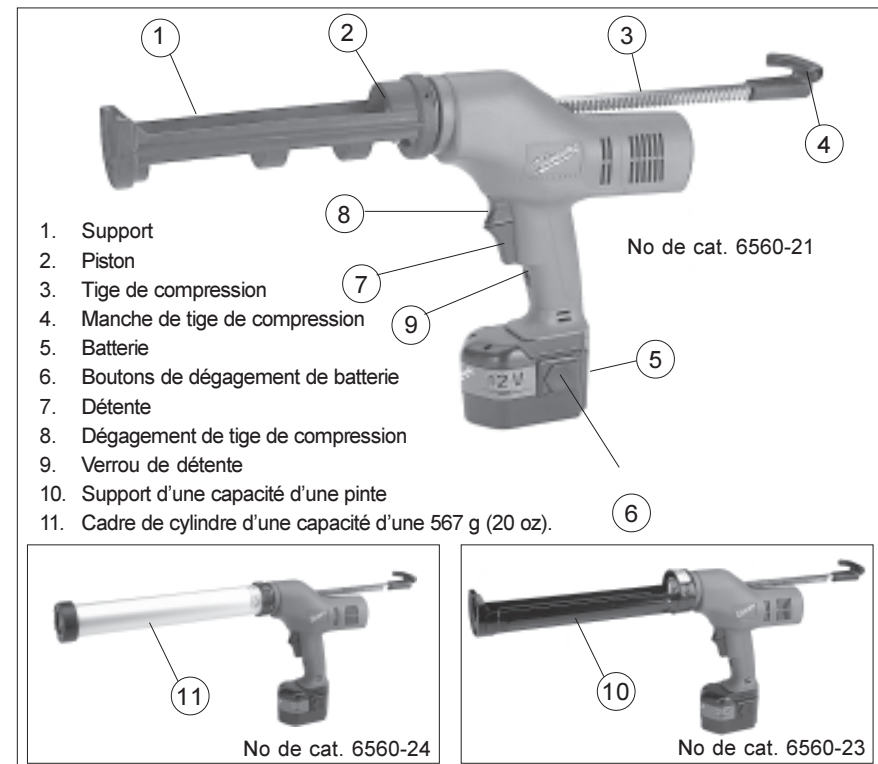
#### Pictographie

 <b>Ni - Cd</b>	 Batteries au Nickel-Cadmium correctement recyclées.
	Tension c.d. seul.
	Underwriters Laboratories, Inc.

#### Spécifications


No de cat.	Volts
Série 6560 Pistolet à colle et calfeutrage	12/14,4 c.d.
48-59-0255 Chargeur à batteries	120 c.a.


### DESCRIPTION FONCTIONNELLE




## ENTRETIEN ET DURÉE DE VIE DE LA BATTERIE

Les batteries **MILWAUKEE** fonctionneront pendant de nombreuses années et/ou pour des centaines de cycles si elles sont utilisées, chargées et remises conformément à ces instructions. L'utilisation, la charge et le remisage corrects de la batterie peuvent prolonger grandement sa durée de vie.

 **Charger la batterie neuve durant toute une nuit avant l'utilisation afin de permettre aux éléments de batterie d'être complètement chargés.** Les batteries neuves ne sont pas complètement chargées. De deux à dix cycles de charge/décharge normaux peuvent être requis avant que la batterie acquière sa charge maximum.

 **Ne jamais complètement décharger la batterie.** Les batteries **MILWAUKEE** ne développent pas de «mémoire» lorsqu'elles sont chargées uniquement après une décharge partielle. Le fait de maintenir les gâchettes enclenchées avec du ruban adhésif ou de laisser l'éclairage de travail allumé pendant de longues périodes pour décharger complètement la batterie réduit sa durée de vie en altérant son équilibre électrochimique et peut entraîner un court-circuit de la batterie.

 **Ne pas charger les batteries dans des endroits froids ou chauds** (en dessous de 5 °C [40 °F] ou au-dessus de 40 °C [105 °F]). Les températures extrêmes réduisent la capacité des éléments de batterie à maintenir la charge. Ne pas les remettre dans des endroits où la température peut dépasser 50 °C (120 °F), tels que dans un véhicule ou un bâtiment en métal durant l'été.


**Pour éviter de surchauffer une batterie, laisser les outils sans fil refroidir entre les applications de coupe et de perçage à couple élevé.** Le taux supérieur d'énergie libérée chauffe plus rapidement les éléments de batterie que la capacité des éléments à dissiper la chaleur. Ceci peut endommager les éléments.

**Après utilisation, laisser la batterie chaude refroidir à la température ambiante avant de l'insérer dans le chargeur.** Si une batterie chaude est mise

dans le chargeur, la charge ne commence que lorsque la batterie a atteint une température adéquate. Voir le manuel du chargeur pour plus d'informations sur les températures de charge. Le fait de charger une batterie chaude endommage les éléments.

**Ne jamais chauffer ou refroidir les batteries de force.** Ceci endommage certains éléments de la batterie, les rendant incapables de maintenir la charge.


**Retirer la batterie de l'outil pour la charger lorsque l'outil ne peut plus effectuer la tâche pour laquelle il est conçu** (c'est-à-dire percer, couper, etc.).

 **Laisser la batterie sur le chargeur une fois qu'elle est complètement chargée.** La batterie continue à recevoir une charge d'entretien garantissant que la capacité est maintenue.

**Occasionnellement (une fois par semaine), laisser les batteries sur le chargeur toute une nuit pour permettre de maintenir l'équilibre des éléments.**

**Ne pas remettre la batterie sur le chargeur pendant plus de 24 heures; ceci peut réduire sa durée de vie.**

**Ne jamais laisser les batteries sur les chargeurs lorsque des coupures de courant sont fréquentes.** Ceci pourrait endommager les éléments de la batterie.

 **Remiser les batteries à température ambiante et à l'abri de l'humidité.** Ne pas les remettre dans des endroits humides où une corrosion des bornes peut avoir lieu.

**Ne pas immerger la batterie et les outils sans fil dans de l'eau.** Ceci endommage la batterie et l'outil.

**Charger les batteries inutilisées durant toute une nuit au moins tous les six mois pour allonger leur durée de vie.** Des batteries non utilisées se déchargent à un taux d'1% par jour et sont

complètement déchargées au bout de six mois. Deux à dix cycles de charge normaux peuvent être nécessaires pour charger complètement la batterie lorsqu'elle a été remise pendant une longue durée.

**Ne pas utiliser d'huile ou de solvant pour nettoyer ou graisser la batterie.** Le boîtier en plastique peut se fendre ou se casser et créer un risque de blessures.

### **AVERTISSEMENT !**

**Charger uniquement des batteries MILWAUKEE de 12, 14,4 et 18 V dans les chargeurs MILWAUKEE. Des batteries de marques différentes peuvent exploser et causer des blessures et des dommages.**

**Pour les instructions de charge spécifiques, lire le manuel de l'opérateur fourni avec le chargeur.**

### Retrait de la batterie de l'outil

Pour tous les modèles :

Enfoncez les boutons de dégagement et retirez la batterie.

### Introduction de la batterie dans l'outil

Pour tous les modèles :

La batterie peut être introduite dans l'outil de deux façons :

1. Pour le travail dans les espaces restreints:

Introduisez la batterie par l'avant en appuyant sur les boutons de dégagement pendant que vous glissez la batterie dans le corps de l'outil (Fig. 1). Poussez la batterie jusqu'à ce que la fixation s'enclenche.

Fig. 1



2. Pour une répartition de poids et un équilibre optimaux :

Introduisez la batterie par l'arrière en appuyant sur les boutons de dégagement pendant que vous glissez la batterie dans le corps de l'outil (Fig. 2). Poussez la batterie jusqu'à ce que la fixation s'enclenche.

Fig. 2



**NOTA :** Une batterie 12 volts est fournie avec cet outil. Pour augmenter la durée de fonctionnement ou la vitesse du piston, on peut utiliser une batterie de 14,4 volts.

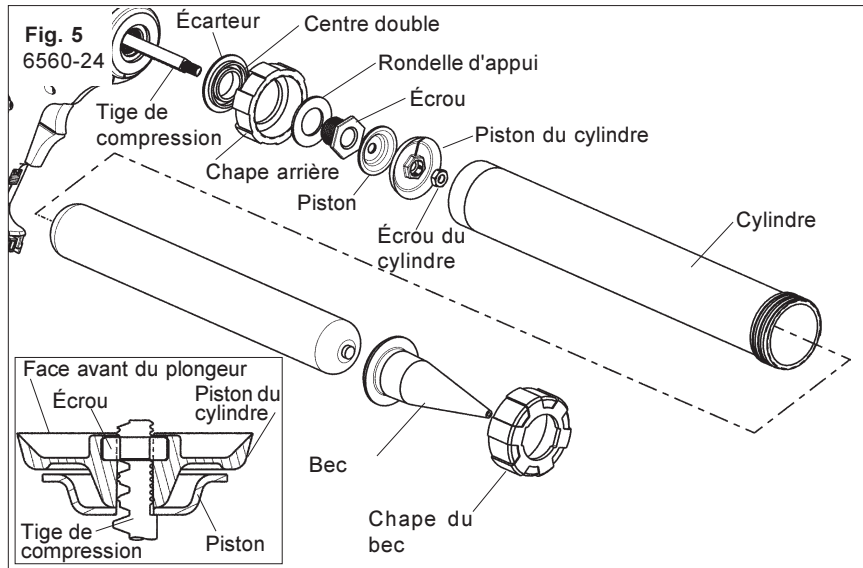


la paroi n'est pas brisée, le contenu du tube pourra être repoussé vers l'arrière et endommager l'outil.

**N.B.** Avant d'employer un tube partiellement rempli, enlevez-en la partie durcie du produit avec un long clou ou une broche.

4. Enfoncez et maintenez le dégagement de la tige de compression.

5. Empoignez la tige et tirez-la vers l'arrière pour placer le tube de produit dans le porte-tube.
6. Insérez le tube de calfatage dans le support.
7. Poussez la tige de compression vers l'avant jusqu'à ce qu'elle s'appuie sur le tube de produit.
8. Relâchez le dégagement de la tige de compression.



#### Installation de l'ensemble cylindrique (No de cat. 6560-24) (Fig. 5)

1. Verrouillez la gâchette ou retirez le bloc de piles.
2. Maintenez enfoncée la gâchette de dégagement de la tige.
3. Saisissez la poignée du plongeur et tirez le plongeur jusqu'à ce que l'extrémité de la tige soit juste à l'intérieur de l'outil.
4. Relâchez la gâchette de dégagement de la tige.
5. Placez la bague d'espacement et le couvercle arrière (filetage fin) dans le nez de l'outil, tel qu'illustré (Fig. 5). Le côté à la centre de la bague d'espacement s'ajuste à l'intérieur du couvercle arrière.

6. Placez la rondelle de support par dessus le couvercle arrière et filetez l'écrou du cylindre dans le nez de l'outil, tel qu'illustré (Fig. 5). Serrez l'écrou avec l'extrémité à ergot de la clé fournie avec l'outil.
7. Appuyez sur la gâchette de dégagement de la tige et poussez la tige de plongeur vers l'avant pour atteindre le filetage sur la tige.
8. Filetez le plongeur, le plongeur cylindrique et l'écrou sur la tige de plongeur dans l'ordre indiqué (Fig. 5).
9. Filetez le tube du cylindre dans le couvercle arrière.
10. Pour enlever le tube du cylindre, exécutez la procédure inverse.

#### Installation du paquet de type saucisse

Vérifiez toujours si les paquets sont perforés ou endommagés avant de les installer. N'utilisez pas d'ensembles endommagés ou gelés.

1. Verrouillez la gâchette ou retirez le bloc de piles.
2. Maintenez enfoncée la gâchette de dégagement de la tige.
3. Saisissez poignée de la tige de plongeur et tirez la tige vers l'arrière pour laisser le paquet s'ajuster dans le tube du cylindre.
4. Insérez le paquet dans le tube du cylindre.
5. Coupez l'extrémité du paquet.

**N.B.** : Avant d'utiliser un paquet à moitié plein, enlevez tout matériel durci.

6. Insérez la buse fournie avec le paquet dans le capuchon de la buse (filetage grossier). Filetez le capuchon de buse dans la partie avant du tube à porté cylindrique.
7. Coupez la buse à l'angle et à la taille recommandés par le fabricant et pour l'application. Une buse de diamètre plus petite requiert plus de force pour pousser le calfatage et réduit la vie de la pile.
8. Maintenez enfoncée la gâchette de dégagement de la tige.
9. Poussez la poignée de la tige du plongeur vers l'avant jusqu'à ce qu'il soit contre le paquet.
10. Relâchez la gâchette de dégagement de la tige.

### MANIEMENT

#### **AVERTISSEMENT!**

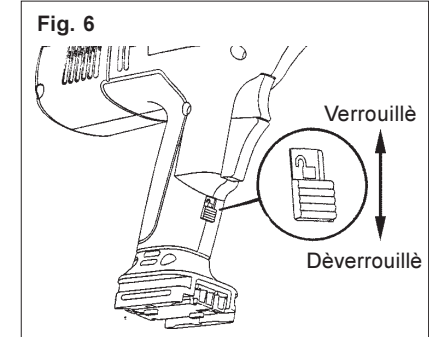
Quand l'outil n'est pas utilisé, verrouillez la détente pour empêcher la mise en marche accidentelle de l'outil.

#### Verrouillage de la détente (Fig. 6)

Verrouillez la détente ou retirez la batterie avant de changer les accessoires ou d'effectuer des travaux d'entretien. Verrouillez la détente lorsque l'outil n'est pas utilisé ou que vous le rangez.

#### Démarrage, arrêt et maîtrise de l'écoulement

1. Appuyez sur la détente pour épandre le calfeutrage.
2. Augmentez ou diminuez la pression sur la détente pour ajuster l'écoulement du produit et la largeur du bourrelet. Le genre de produit, la température et le diamètre du bec affectent le débit. Lorsque vous employez un tube ou un saucisson dont le diamètre du bec est petit, ralentissez le débit pour éviter que le produit ne soit refoulé à l'arrière du tube.
3. Relâchez la détente pour arrêter l'écoulement du calfeutrage.



1. Pour **verrouiller** la détente, poussez le verrou de détente dans le sens indiqué « Locked ». La détente ne fonctionnera pas si le verrou de détente est à la position « Locked ».
2. Pour **déverrouiller** la détente, poussez le verrou de détente dans le sens indiqué « unlocked ».

### Réglage de la tige de compression

1. Pour ajuster la tige de compression avec la main, enfoncez et maintenez le dégagement de la tige.
2. Empoignez le manche de la tige de compression et poussez-la dans le cylindre ou tirez-la hors du cylindre.
3. Relâchez le dégagement de la tige.

**N.B.** Gardez la tige de compression exempte de produit. Retirer la tige de compression couverte de produit pourrait endommager les parois internes de l'outil.

### Protection électronique de surcharge

Le pistolet est protégé par un dispositif électronique de protection contre les surcharges. Si une trop grande pression est appliquée sur le tube, le moteur s'inversera automatiquement pour une seconde, puis s'éteindra. Cette caractéristique aide à prévenir les dommages à l'outil et au tube de calfeutrage.

Si le moteur s'arrête, vérifiez les points suivants:

- Le bout du bec est correctement coupé.
- Le scellement interne est perforé.
- Le bec est exempt de produit durci.
- Le tube de calfeutrage n'est pas endommagé ou gelé.
- La tige de compression est exempte de calfeutrage ou d'adhésif.

Relâchez la détente pour permettre au dispositif électronique d'arrêt de réarmer le relais. Si le moteur ne démarre toujours pas, essayez un autre tube de produit ou portez l'outil à un Centre-Service *MILWAUKEE*.

### Mécanisme auto-inverseur

Cet outil est pourvu d'un mécanisme « auto-inverseur » qui inverse la course du piston lorsque la détente de l'outil est enfoncée pour plus de 2 secondes puis relâché. Cette caractéristique empêche le produit contenu dans l'outil de continuer à s'écouler.

Actionner la détente va réactiver le mécanisme auto-inverseur et permettre au piston d'exercer une pression constante sur le tube pour maintenir un débit ralenti du produit à épandre.

### Arrêt automatique

Lorsque le tube de calfeutrage est vide, le mécanisme d'arrêt automatique va arrêter le moteur. Tirez le piston vers l'arrière et installez un nouveau tube.

**Mise en garde:** Si l'outil s'éteint ou se met en marche arrière de lui-même, il peut y avoir du calfeutrage ou de l'adhésif sur la tige de compression. La tige de compression doit être exempte de tout calfeutrage ou adhésif. Si une telle substance se trouve sur la tige de compression, retirez la tige et nettoyez la tige et l'outil au moyen d'une brosse et de solvant selon les directives du fabricant de calfeutrage ou d'adhésif.

## MAINTENANCE



### AVERTISSEMENT!

Pour minimiser les risques de blessures corporelles, débranchez le chargeur et retirez la batterie du chargeur ou de l'outil avant d'y effectuer des travaux d'entretien. Ne démontez jamais l'outil, la batterie ou le chargeur. Pour toute réparation, consultez un centre de service *MILWAUKEE* accrédité.

Gardez l'outil, la batterie et le chargeur en bon état en adoptant un programme d'entretien ponctuel. Après une période de six mois à un an, selon l'utilisation, renvoyez l'outil, la batterie et le chargeur à un centre de service *MILWAUKEE* accrédité pour les services suivants:

- Lubrification
- Inspection et nettoyage de la mécanique (engrenages, pivots, coussinets, boîtier etc.)
- Inspection électrique (batterie, chargeur, moteur)
- Vérification du fonctionnement électromécanique

### Entretien de l'outil

Si l'outil ne démarre pas ou ne fonctionne pas à pleine puissance alors qu'il est branché sur une batterie complètement chargée, nettoyez les points de contact entre la batterie et l'outil. Si l'outil ne fonctionne toujours pas correctement, renvoyez l'outil, le chargeur et la batterie à un centre de service *MILWAUKEE* accrédité, afin qu'on en effectue la réparation (voir "Réparations").

### Entretien de la batterie

Les batteries *MILWAUKEE* sont conçues pour durer plusieurs années et/ou des milliers de cycles lorsqu'elles sont bien entretenues et utilisées selon les instructions de ce manuel.

Une batterie qui est rangée durant six mois perdra sa charge si elle n'est pas utilisée. Les batteries se déchargent selon un taux d'environ 1% par jour. Rechargez la batterie tous les six mois, même si elle n'est pas utilisée, cela prolongera sa durée. N'entretenez pas la détente d'interrupteur à la position "ON" à l'aide d'un ruban adhésif et ne laissez pas l'outil sans surveillance car cela pourrait décharger la batterie à un point tel qu'il deviendra impossible de la recharger. Employez une batterie *MILWAUKEE* aussi longtemps qu'elle fournira la puissance requise.

Rangez la batterie dans un endroit frais et sec. Ne la rangez pas dans un endroit où la température pourrait excéder 50°C (120°F), dans un véhicule ou une structure d'acier, l'été par exemple. Les températures élevées provoquent la surchauffe de la batterie et en réduisent la durée. Si la batterie est rangée pour une période de plusieurs mois, elle perdra graduellement sa charge. Cependant, après plusieurs cycles de recharge et de décharge en période d'utilisation normale, elle retrouvera sa charge initiale. Avec le temps, les intervalles entre les recharges de la batterie deviendront de plus en plus courts. Lorsque ces intervalles, devenus trop courts, rendront l'outil inutilisable, il faudra remplacer la batterie.



### AVERTISSEMENT!

Pour minimiser les risques de blessures ou de dommages à l'outil, n'immergez jamais l'outil, la batterie ou le chargeur et ne laissez pas de liquide s'y infiltrer.

### Nettoyage

Débarrassez les événements du chargeur et de l'outil des débris et de la poussière. Gardez les poignées de l'outil propres, à sec et exemptes d'huile ou de graisse. Le nettoyage de l'outil, du chargeur et de la batterie doit se faire avec un linge humide et un savon doux. Certains nettoyants tels l'essence, la térébinthine, les diluants à laque ou à peinture, les solvants chlorés, l'ammoniaque et les détergents d'usage domestique qui en contiennent pourraient détériorer le plastique et l'isolation des pièces. Ne laissez jamais de solvants inflammables ou combustibles auprès de l'outil.



### AVERTISSEMENT!

Pour minimiser les risques d'explosion ne faites jamais brûler une batterie, même si elle est avariée, âgée ou complètement épuisée.

### Sceaux de recyclage pour pile RBRC

Les sceaux de recyclage pour piles RBRC™ (voir la « Pictographie ») sur la pile de votre outil, indiquent que *MILWAUKEE* a pris des dispositions avec Rechargeable Battery Recycling Corporation (RBRC) pour le recyclage de ce bloc de piles. Lorsque la vie utile de ce bloc de pile est épuisée, retournez-le à une succursale ou à un centre de service *MILWAUKEE*, ou au détaillant participant le plus près de chez vous. Pour obtenir plus d'informations, visitez le site Web RBRC au [www.rbrc.org](http://www.rbrc.org).

### Disposition des batteries au nickel-cadmium

Les batteries au nickel-cadmium sont recyclables. En vertu des différents règlements provinciaux et locaux, il peut être illégal de disposer d'une batterie par le service d'enfouissement des déchets. Disposez de votre batterie en conformité de la réglementation fédérale, provinciale et locale.

## Réparations

Pour les réparations, retournez outil, batterie et chargeur en entier au centre-service le plus près, selon la liste apparaissant à la dernière page de ce manuel.

## Garantie des batteries

Les batteries pour outils sans cordon sont garanties pour un an à compter de la date d'achat.

## ACCESSOIRES



### AVERTISSEMENT!

Il faut toujours retirer la batterie et verrouiller la détente de l'outil avant de changer ou d'enlever les accessoires. L'emploi d'accessoires autres que ceux qui sont expressément recommandés pour cet outil peut comporter des risques.

Pour une liste complète des accessoires, prière de se reporter au catalogue MILWAUKEE Electric Tool ou visiter le site internet [www.milwaukeetool.com](http://www.milwaukeetool.com). Pour obtenir un catalogue, il suffit de contacter votre distributeur local ou l'un des centres-service.

### Kit de support de 284 g (10 oz)

No de cat. 48-03-1000

Doit utiliser le râtelier 49-52-0500

### Kit de support de 851 g (30 oz)

No de cat. 48-03-1010

Doit utiliser le râtelier 49-52-0525

### Kit de cylindre pour paquet de type saucisse de 284 g (10 oz)

No de cat. 48-03-1020

Doit utiliser le râtelier 49-52-050

### Kit de cylindre pour paquet de type saucisse de 567 g (20 oz)

No de cat. 48-03-1030

Doit utiliser le râtelier 49-52-0515

## GARANTIE LIMITÉE DE L'OUTIL DE CINQ ANS

Tous les outils MILWAUKEE sont testés avant de quitter l'usine et sont garantis exempts de vice de matériau ou de fabrication. MILWAUKEE réparera ou remplacera (à la discrétion de MILWAUKEE), sans frais, tout outil (y compris les chargeurs de batterie) dont l'examen démontre le caractère défectueux du matériau ou de la fabrication dans les cinq (5) ans suivant la date d'achat. Retourner l'outil et une copie de la facture ou de toute autre preuve d'achat à une branche Entretien usine/Assistance des ventes de l'établissement MILWAUKEE ou à un centre d'entretien agréé par MILWAUKEE, en port payé et assuré. Cette garantie ne couvre pas les dommages causés par les réparations ou les tentatives de réparation par quiconque autre que le personnel agréé par MILWAUKEE, les utilisations abusives, l'usage normale, les carences d'entretien ou les accidents.

Les batteries, les lampes de poche et les radios sont garanties pour un (1) an à partir de la date d'achat.

LES SOLUTIONS DE RÉPARATION ET DE REMPLACEMENT DÉCRITES PAR LES PRÉSENTES SONT EXCLUSIVES. MILWAUKEE NE SAURAIT ÊTRE RESPONSABLE, EN AUCUNE CIRCONSTANCE, DES DOMMAGES ACCESSOIRES, SPÉCIAUX OU INDIRECTS, Y COMPRIS LES MANQUES À GAGNER.

CETTE GARANTIE EST EXCLUSIVE ET REMPLACE TOUTES LES AUTRES GARANTIES OU CONDITIONS, ÉCRITES OU ORALES, EXPRESSES OU TACITES DE QUALITÉ MARCHANDE OU D'ADAPTATION À UNE UTILISATION OU UNE FIN PARTICULIÈRE.

Cette garantie vous donne des droits particuliers. Vous pouvez aussi bénéficier d'autres droits variant d'un état à un autre et d'une province à une autre. Dans les états qui n'autorisent pas les exclusions de garantie tacite ou la limitation des dommages accessoires ou indirects, les limitations ou exclusions ci-dessus peuvent ne pas s'appliquer. Cette garantie s'applique aux États-Unis, au Canada et au Mexique uniquement.

## REGLAS DE SEGURIDAD GENERALES PARA HERRAMIENTAS OPERADAS POR BATERÍA



### ¡ADVERTENCIA!

### LEA TODAS LAS INSTRUCCIONES

Si no se siguen todas las siguientes instrucciones se puede provocar una descarga eléctrica, un incendio y/o lesiones graves. El término "herramienta eléctrica" en todas las advertencias incluidas más abajo se refiere a su herramienta operada por conexión (cable) a la red eléctrica o por medio de una batería (inalámbrica).

### GUAORDE ESTAS INSTRUCCIONES

## SEGURIDAD EN EL ÁREA DE TRABAJO

1. Mantenga limpia y bien iluminada el área de trabajo. Las áreas desordenadas u oscuras contribuyen a que se produzcan accidentes.
2. No utilice herramientas eléctricas en atmósferas explosivas, como en la presencia de líquidos, gases o polvo inflamables. Las herramientas eléctricas crean chispas que pueden incendiar el polvo o las emanaciones.
3. Mantenga a los niños y otras personas alejadas mientras utiliza una herramienta eléctrica. Las distracciones pueden hacerle perder el control.

## SEGURIDAD ELÉCTRICA

4. Los enchufes de las herramientas eléctricas deben ser del mismo tipo que el tomacorrientes. Nunca realice ningún tipo de modificación en el enchufe. No use enchufes adaptadores con herramientas eléctricas con conexión a tierra. Se reducirá el riesgo de descarga eléctrica si no se modifican los enchufes y los tomacorrientes son del mismo tipo.
5. Evite el contacto corporal con superficies con conexión a tierra, como tuberías, radiadores, estufas y refrigeradores. El riesgo de descarga eléctrica aumenta si su cuerpo está conectado a tierra.

6. No exponga la herramientas eléctricas a la lluvia o a condiciones de humedad. El agua que entra en una herramienta eléctrica aumenta el riesgo de descarga eléctrica.
7. No abuse del cable. Nunca use el cable para transportar la herramienta eléctrica, tirar de ella o desenchufarla. Mantenga el cable alejado del calor, los bordes afilados o las piezas en movimiento. Los cables dañados o enmarañados aumentan el riesgo de descarga eléctrica.
8. Cuando se utiliza una herramienta eléctrica en el exterior, use una extensión que sea apropiada para uso en el exterior. El uso de un cable apropiado para el exterior reduce el riesgo de descarga eléctrica.

## SEGURIDAD PERSONAL

9. Manténgase alerta, ponga cuidado a lo que está haciendo y use el sentido común cuando utilice una herramienta eléctrica. No use una herramienta eléctrica cuando está cansado o bajo la influencia de drogas, alcohol o medicinas. Despijarse un minuto cuando se utiliza una herramienta eléctrica puede tener como resultado lesiones personales graves.
10. Use equipo de seguridad. Lleve siempre protección ocular. Llevar equipo de seguridad apropiado para la situación, como una máscara antipolvo, zapatos de seguridad

antideslizantes casco o protección auditiva, reducirá las lesiones personales.

11. **Evite los arranques accidentales. Asegúrese de que el interruptor esté en la posición de apagado antes de enchufar la herramienta.** Mover herramientas con el dedo en el interruptor o enchufar herramientas con el interruptor en la posición de encendido contribuye a que se produzcan accidentes.
12. **Quite todas las llaves de ajuste antes de encender la herramienta.** Una llave que esté acoplada a una pieza giratoria de la herramienta puede provocar lesiones personales.
13. **No se estire demasiado. Mantenga los pies bien asentados y el equilibrio en todo momento.** Esto permite tener mejor control de la herramienta eléctrica en situaciones inesperadas.
14. **Vístase de manera apropiada. No lleve ropa suelta ni joyas. Mantenga el cabello, la ropa y los guantes lejos de la piezas en movimiento.** La ropa floja, las joyas o el cabello largo pueden quedar atrapados en las piezas en movimiento.
15. **Si se proporcionan dispositivos para la conexión de sistemas de recolección y extracción de polvo, asegúrese de que estén conectados y se usen apropiadamente.** El uso de estos dispositivos puede reducir los peligros relacionados con el polvo.

### **USO Y CUIDADO DE LAS HERRAMIENTAS ELÉCTRICAS**

16. **No fuerce la herramienta eléctrica. Use la herramienta eléctrica correcta para la aplicación.** La herramienta eléctrica correcta funcionará mejor y de manera más segura a la velocidad para la que se diseñó.
17. **No use la herramienta eléctrica si el interruptor no la enciende ni la apaga.** Cualquier herramienta eléctrica que no se pueda controlar con el interruptor es peligrosa y se debe reparar.

18. **Desconecte el enchufe de la toma de alimentación y/o la batería de la herramienta eléctrica antes de realizar cualquier ajuste, cambiar accesorios o almacenar las herramientas eléctricas.** Dichas medidas preventivas de seguridad reducen el riesgo de que la herramienta se prenda accidentalmente.
19. **Almacene las herramientas eléctricas fuera del alcance de los niños y no permita que personas no familiarizadas con ellas o estas instrucciones las utilicen.** Las herramientas eléctricas son peligrosas en las manos de usuarios no capacitados.
20. **Mantenimiento de las herramientas eléctricas.** Revise que no haya piezas móviles que estén desalineadas o que se atasquen, piezas rotas ni ninguna otra condición que pueda afectar el funcionamiento de la herramienta eléctrica. Si se encuentran daños, haga que le reparen la herramienta antes de usarla. Las herramientas mal mantenidas son la causa de muchos accidentes.
21. **Mantenga las herramientas de corte limpias y afiladas.** Es menos probable que se atasquen las herramientas de corte con filos afilados que se mantienen de manera apropiada y también son más fáciles de controlar.
22. **Use la herramienta eléctrica, los accesorios y las brocas, etc. siguiendo estas instrucciones y de la manera para la que dicha herramienta eléctrica en particular fue diseñada, teniendo en cuenta las condiciones de trabajo y la tarea que se va a realizar.** El uso de la herramienta eléctrica para operaciones diferentes de aquellas para las que se diseñó podría resultar en una situación peligrosa.

### **USO Y CUIDADO DE LAS HERRAMIENTAS CON BATERÍA**




23. **Asegurarse de que el interruptor esté en la posición apagada antes de colocar la batería.** Colocar la batería en las herramientas eléctricas que tienen el interruptor en la posición de encendido contribuye a que se produzcan accidentes.
24. **Recárguela solamente con el cargador especificado por el fabricante.** Un cargador que sea apropiado para un tipo de batería puede crear riesgo de incendio cuando se use con otra batería.
25. **Use las herramientas eléctricas solamente con baterías específicamente diseñadas.** El uso de cualquier otro tipo de batería puede crear riesgo de lesiones o incendio.
26. **Cuando no se use la batería manténgala alejada de otros objetos de metal como clips para papel, monedas, llaves, clavos, tornillos u otros objetos de metal pequeños que puedan realizar una conexión entre los bornes.** Realizar un cortacircuito en los terminales de la batería puede provocar quemaduras o un incendio.
27. **Bajo condiciones abusivas, puede salir líquido expulsado de la batería; evitar el contacto. Si se produce un contacto accidental, lavar con agua. Si el líquido entra en contacto con los ojos buscar ayuda médica adicional.** El líquido que sale despedido de la batería puede causar irritaciones o quemaduras.

### **REGLAS ESPECIFICAS DE SEGURIDAD**

1. **Mantenga las manos alejadas del percutor y del área del vástago del percutor de la pistola de calafateo.** Los dedos pueden quedar atrapados entre el portatubos y el percutor.
2. **Guarde las etiquetas y placas de especificaciones.** Estas tienen información importante. Si son ilegibles o si no se pueden encontrar, póngase en contacto con un centro de servicio de **MILWAUKEE** para una refacción gratis.

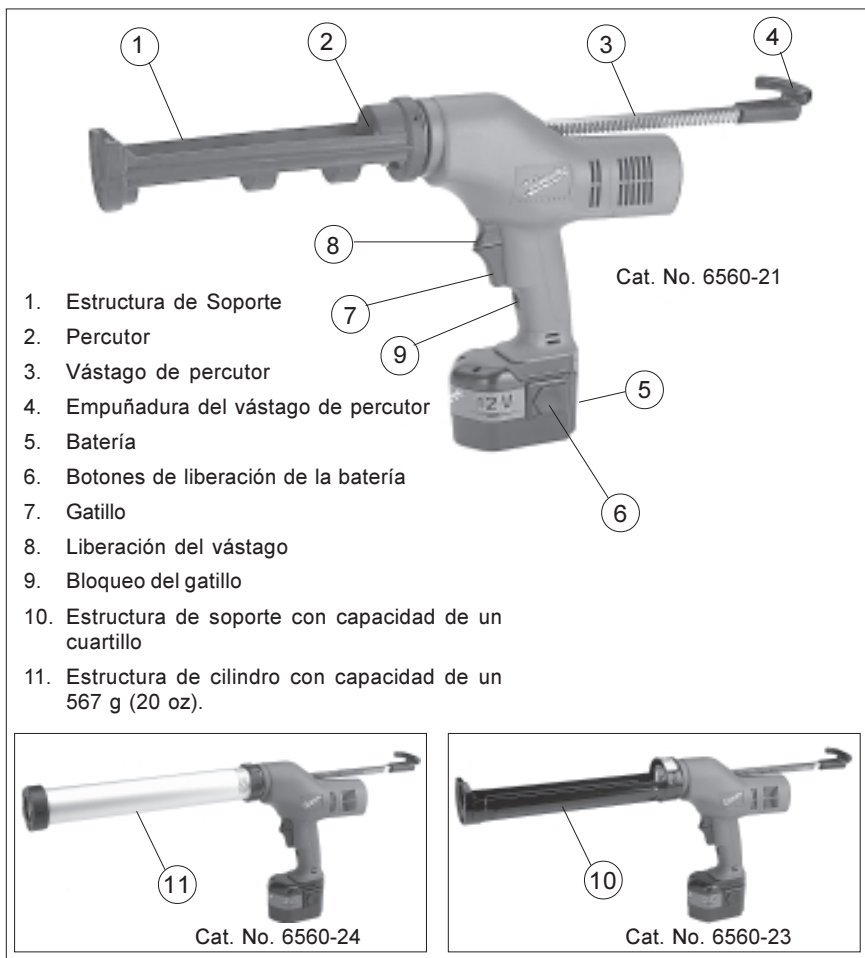
### **MANTENIMIENTO**

28. **Haga que un técnico calificado realice el mantenimiento de la herramienta eléctrica utilizando solamente piezas de repuesto idénticas.** Esto asegurará que se mantiene la seguridad de la herramienta eléctrica.

Simbología	
 Ni-Cd	Baterías de níquel cadmio correctamente recicladas
	Volts corriente directa
	Underwriters Laboratories, Inc.

Especificaciones	
Catálogo No.	Volts
Serie 6560 Pistola de Calafateo y Aplicación de Adhesivo	12/14,4 cd
48-59-0255 Cargador de Baterías	120 ca


### DESCRIPCION FUNCIONAL





### USO Y CUIDADO DE LA BATERÍA

## MANTENIMIENTO DE LA BATERÍA Y EXTENSIÓN DE SU DURACIÓN

Las baterías **MILWAUKEE** funcionarán durante muchos años y/o cientos de ciclos cuando se usan, se cargan y se almacenan siguiendo estas instrucciones. Usar, cargar y almacenar de manera apropiada la batería puede extender enormemente su duración.

 **Cargar la batería nueva durante una noche antes de usarla para que las celdas se carguen completamente.** Las baterías nuevas no están completamente cargadas. Pueden necesitarse de dos a diez ciclos normales de carga/descarga antes que la batería alcance su carga máxima.

 **Nunca descargar por completo la batería.** Las baterías **MILWAUKEE** no desarrollan una "memoria" cuando se cargan después de solamente una descarga parcial. Al fijar con cinta los gatillos para activarlos o al dejar las luces de trabajo encendidas durante periodos de tiempo largos para descargar completamente la batería se reducirá su duración ya que se altera el equilibrio electroquímico y puede tener como consecuencia un cortocircuito de la batería.

 **No cargar baterías en lugares calientes o fríos** (por debajo de 5° C (40° F) o por encima de 40° C (105° F)). Las temperaturas extremas reducen la capacidad de las celdas de la batería para mantener la carga. No almacenarlas donde la temperatura supere los 50° C (120° F), como por ejemplo en un vehículo o en un edificio de metal durante el verano.


**Para evitar el calentamiento excesivo de una batería, dejar que las herramientas inalámbricas se enfrien entre las aplicaciones de perforación o corte que requieran un torque grande.** El aumento de la velocidad de descarga de energía calentará las celdas de la batería antes de que las celdas puedan liberar el calor. Esto podría dañarlas.

**Después de usar la batería, dejarla que se enfríe a temperatura ambiente antes de introducirla en el cargador.** Si se coloca una batería caliente en el cargador, la carga no comenzará hasta que la batería se haya enfriado y haya alcanzado una temperatura segura. Consultar el manual

del cargador para obtener información adicional sobre las temperaturas de carga. Cargar una batería caliente dañará las celdas.

**Nunca forzar a que una batería se caliente o se enfríe.** Esto dañará algunas celdas en la batería, haciendo que no sean capaces de mantener la carga.


**Quitar la batería de la herramienta para cargarla cuando la herramienta ya no puede realizar la función para la que está indicada** (es decir, perforar, cortar, etc.).

 **Dejar la batería en el cargador después de que se haya cargado completamente.** La batería seguirá recibiendo una carga continua y lenta para asegurar que se mantiene la capacidad.

**Con cierta frecuencia (semanalmente) las baterías se deben dejar durante toda la noche en el cargador para así ayudar a mantener el equilibrio de las celdas.**

**Las baterías no deben dejarse permanentemente (por más de 24 horas) en el cargador ya que así se reduce la vida útil de las mismas.**

**Nunca dejar las baterías en cargadores en los que las interrupciones de alimentación son comunes.** Se podrían producir daños en las celdas de las baterías.

 **Almacenar las baterías a temperatura ambiente, lejos de humedad.** No almacenarlas en lugares húmedos en los que los bornes se pueden corroer.

**No sumergir la batería ni las herramientas inalámbricas en agua.** Esto dañará la batería y la herramienta.

**Cargar las baterías que no se usan durante la noche al menos cada seis meses para extender al máximo la duración de la batería.** Las baterías que no se usan se descargan a una velocidad de aproximadamente un 1% por día y



estarán completamente descargadas después de seis meses. En las baterías almacenadas durante mucho tiempo, pueden ser necesarios de dos a diez ciclos de carga normales antes de que la batería se cargue por completo.

**No usar aceite ni disolventes para limpiar o lubricar la batería.** Su cubierta de plástico se quebrará y agrietará, creando un riesgo de lesiones.

**¡ADVERTENCIA!**

Cargar las baterías **MILWAUKEE** de 12, 14,4 y 18 voltios solamente en los cargadores **MILWAUKEE**. Otras marcas de baterías pueden explotar, ocasionando lesiones personales y daños.

Para obtener instrucciones específicas de carga, por favor leer el manual del operador que se incluye con el cargador.

**Cómo extraer la batería de la herramienta**

Para todos los modelos:

Oprima los botones de liberación y extraiga la batería.

**Cómo insertar la batería en la herramienta**

Para todos los modelos:

La batería se puede insertar en la herramienta de dos maneras.

1. Cuando se trabaja en espacios limitados.

Coloque la batería desde el frente, oprimiendo los botones de liberación y deslizando la batería en el cuerpo de la herramienta (Fig. 1). Coloque la batería hasta que la grapa se accione.

Fig. 1



2. Para un balance y distribución de peso óptimos.

Coloque la batería desde la parte posterior, oprimiendo los botones de liberación y deslizando la batería en el cuerpo de la herramienta (Fig. 2). Coloque la batería hasta que la grapa se accione.

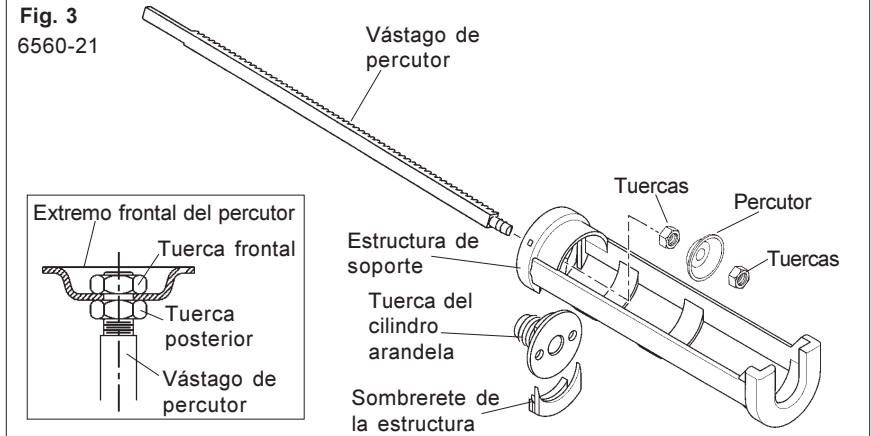
Fig. 2



**NOTA:** Con esta herramienta se suministra una batería de 12 volts. Para prolongar el tiempo de funcionamiento o incrementar la velocidad del percutor, puede utilizarse una batería de 14,4 volts.

**ENSAMBLAJE DE LA HERRAMIENTA**

Fig. 3  
6560-21



**¡ADVERTENCIA!**

Para reducir el riesgo de lesiones, extraiga siempre la batería o bloquee el gatillo antes de acoplar o desacoplar accesorios. Utilice únicamente accesorios específicamente recomendados para esta herramienta. El uso de accesorios no recomendados podría resultar peligroso.

**Instalación del conjunto de estructura de soporte de 284 g (10 oz) (Cat. No. 6560-21) (Fig. 3)**

1. Bloquee el gatillo o extraiga la batería.
2. Oprima y sostenga el gatillo de liberación del vástago.
3. Sujete la empuñadura del vástago de percutor y tire del vástago de percutor hacia atrás hasta que la punta del vástago quede dentro de la herramienta.
4. Suelte el gatillo de liberación del vástago.
5. Enrosque la tuerca del cilindro sujeta al portatubos en la parte frontal de la herramienta. Apriete con la llave de boca colocando la llave en los dos orificios más pequeños en la tuerca del cilindro y girando en el sentido de las manecillas del reloj.

**NOTA:** El sombrero de la estructura, la tuerca del cilindro y la estructura de soporte vienen montados de fábrica.

6. Oprima el gatillo de liberación del vástago y empuje el vástago de percutor hacia delante hasta alcanzar las roscas en el vástago.
7. Enrosque las tuercas y el percutor en el vástago de percutor en el orden que se muestra (Fig. 3). Vuelva a apretar bien la tuerca con la llave suministrada.

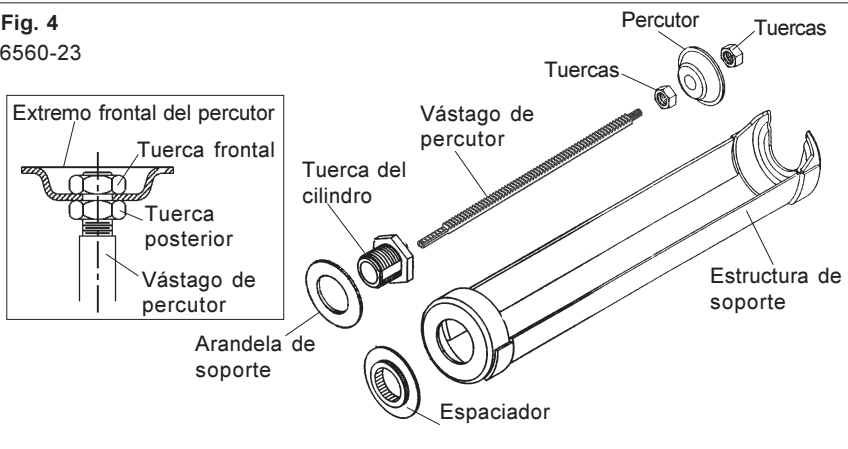
**NOTA:** Asegúrese que la tuerca frontal y el vástago de percutor no se extiendan más allá del extremo frontal del percutor. Si alguna de las partes se extiende más allá del percutor, el sombrero posterior del tubo con material podría romperse.

8. Para extraer la estructura de soporte, invierta el procedimiento.

**¡ADVERTENCIA!**

A fin de reducir el riesgo de lesionarse, mantenga las manos alejadas del área del percutor de la herramienta. Los dedos pueden quedar atrapados entre el portatubos y el percutor.

Fig. 4  
6560-23



**¡ADVERTENCIA!**

Para reducir el riesgo de lesiones, extraiga siempre la batería o bloquee el gatillo antes de acoplar o desacoplar accesorios. Utilice únicamente accesorios específicamente recomendados para esta herramienta. El uso de accesorios no recomendados podría resultar peligroso.

**Instalación del conjunto de estructura de soporte de 851 g (30 oz) (Cat. No. 6560-23) (Fig. 4)**

1. Bloquee el gatillo o extraiga la batería.
2. Oprima y sostenga el gatillo de liberación del vástago.
3. Sujete la empuñadura del vástago de percutor y tire del vástago de percutor hacia atrás hasta que la punta del vástago quede dentro de la herramienta.
4. Suelte el gatillo de liberación del vástago.
5. Inserte espaciador en el extremo frontal del cuerpo de la herramienta. El extremo con el diámetro más grande cabe dentro de la herramienta. Coloque la estructura de soporte sobre la arandela. Ensamble la arandela de soporte y la tuerca del cilindro en la herramienta tal como se muestra (Fig. 4). Apriete la tuerca del cilindro con la llave suministrada.

6. Oprima el gatillo de liberación del vástago y empuje el vástago de percutor hacia delante hasta alcanzar las roscas en el vástago.
7. Enrosque las tuercas y el percutor en el vástago de percutor en el orden que se muestra (Fig. 4). Vuelva a apretar bien la tuerca con la llave suministrada.

**NOTA:** Asegúrese que la tuerca frontal y el vástago de percutor no se extiendan más allá del extremo frontal del percutor. Si alguna de las partes se extiende más allá del percutor, el sombrerete posterior del tubo con material podría romperse.

8. Para extraer la estructura de soporte, invierta el procedimiento.



**¡ADVERTENCIA!**

A fin de reducir el riesgo de lesionarse, mantenga las manos alejadas del área del percutor de la herramienta. Los dedos pueden quedar atrapados entre el portatubos y el percutor.

**Instalación del tubo de adhesión y calafateo**

1. Bloquee el gatillo o extraiga la batería y desacople los accesorios de la herramienta.
2. Corte la boquilla del tubo en un ángulo y tamaño recomendado por el fabricante y adecuado para el trabajo. Una boquilla con un diámetro más pequeño requiere mayor fuerza para empujar el material de calafateo y reduce la vida útil de la batería.
3. Rompa el sello interno del tubo con un clavo largo o un pedazo de alambre. Si el sello interno no se rompe, el material de calafateo podría escapar por el extremo posterior del tubo y ocasionar daños a la herramienta.
4. Oprima y sostenga el gatillo de liberación del vástago.
5. Sujete la empuñadura del vástago de percutor y tire del vástago de percutor hacia atrás para permitir que el tubo de calafateo quepa dentro del portatubos.
6. Inserte el tubo de calafateo en la estructura de soporte.
7. Empuje la empuñadura del vástago de percutor hacia delante hasta que el percutor quede contra el tubo de calafateo.
8. Suelte el gatillo de liberación del vástago.

**NOTA:** Antes de utilizar un tubo parcialmente lleno, extraiga el material endurecido con un clavo largo o un pedazo de alambre.

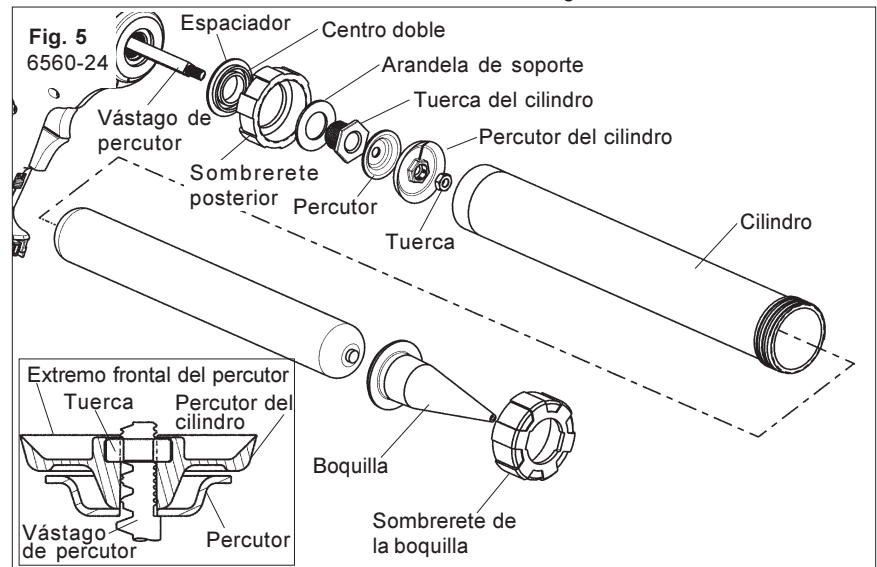


Fig. 5  
6560-24

**Instalación del conjunto del cilindro (Cat. No. 6560-24) (Fig.5)**

1. Bloquee el gatillo o extraiga la batería.
2. Oprima y sostenga el gatillo de liberación del vástago.
3. Sujete la empuñadura del vástago de percutor y tire del vástago de percutor hacia atrás hasta que la punta del vástago quede dentro de la herramienta.
4. Suelte el gatillo de liberación del vástago.
5. Coloque el espaciador y el sombrerete posterior (roscas finas) en la parte frontal de la herramienta tal como se muestra (Fig. 5). El extremo del espaciador con el centro doble cabe dentro del sombrerete posterior.
6. Coloque la arandela de soporte sobre la parte superior del sombrerete posterior y enrosque la tuerca del cilindro en la parte frontal de la herramienta tal como se muestra (Fig. 5). Apriete la tuerca con el extremo de gancho de la llave suministrada con la herramienta.
7. Oprima el gatillo de liberación del vástago y empuje el vástago de percutor hacia delante hasta alcanzar las roscas en el vástago.

- Enrosque el percutor, el percutor del cilindro y la tuerca en el vástago del percutor en el orden que se muestra (Fig. 5).
- Enrosque el tubo del cilindro en el sombrerete posterior.
- Para extraer el tubo del cilindro, invierta el procedimiento.

#### Instalación del paquete tipo salchicha

Antes de instalar, revise siempre los paquetes tipo salchicha para asegurarse que estén libres de picaduras o daños. No utilice un paquete dañado o congelado.

- Bloquee el gatillo o extraiga la batería.
- Oprima y sostenga el gatillo de liberación del vástago.
- Sujete la empuñadura del vástago de percutor y tire del vástago de percutor hacia atrás para permitir que el paquete tipo salchicha quepa dentro del tubo del cilindro.
- Inserte el paquete en el tubo del cilindro.

- Corte el extremo del paquete tipo salchicha.  
**NOTA:** Antes de utilizar un paquete parcialmente lleno, extraiga el material endurecido.
- Inserte la boquilla suministrada con el paquete tipo salchicha en el sombrerete de la boquilla (rosca gruesa). Enrosque el sombrerete de la boquilla en la parte frontal del tubo del cilindro.
- Corte la boquilla en un ángulo y tamaño recomendado por el fabricante y adecuado para el trabajo. Una boquilla con un diámetro más pequeño requiere mayor fuerza para empujar el material de calafateo y reduce la vida útil de la batería.
- Oprima y sostenga el gatillo de liberación del vástago.
- Empuje la empuñadura del vástago de percutor hacia delante hasta que el percutor quede contra el paquete tipo salchicha.
- Suelte el gatillo de liberación del vástago.

#### OPERACION



#### ¡ADVERTENCIA!

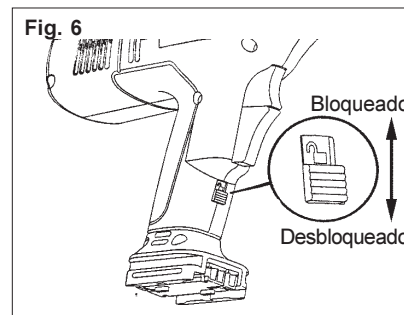
Cuando no esté utilizando la herramienta, bloquee el gatillo para evitar que la herramienta se encienda accidentalmente.

#### Arranque, parada y control de velocidad

- Oprima el gatillo para surtir el material de calafateo.
- Aumente o disminuya la presión del gatillo para ajustar la velocidad a fin de lograr el ancho y velocidad de avance correctos. El tipo de material, la temperatura y el diámetro de la boquilla afectarán la velocidad de flujo. Para tubos o paquetes con una boquilla de diámetro más pequeño utilice una velocidad más lenta o el material se escapará por el asiento del tubo posterior.
- Suelte el gatillo para dejar de surtir el material de calafateo.

#### Bloqueo del gatillo (Fig. 6)

Bloquee siempre el gatillo o extraiga la batería antes de cambiar accesorios o realizar mantenimiento. Bloquee el gatillo cuando no esté utilizando la herramienta y cuando la vaya a guardar.



- Para **bloquear** el gatillo, empuje el interruptor de bloqueo del gatillo en la dirección que se muestra. El gatillo no funcionará cuando el interruptor se encuentre en la posición de bloqueo.
- Para **desbloquear** el gatillo, empuje el interruptor de bloqueo del gatillo en la dirección que se muestra.

#### Ajuste del vástago de percutor

- Para ajustar manualmente el vástago de percutor, oprima y sostenga el gatillo de liberación del vástago.
- Sujete la empuñadura del vástago de percutor y empuje o tire del vástago hacia adentro o hacia fuera.
- Suelte el gatillo de liberación del vástago.

**NOTA:** Mantenga el vástago de percutor libre de material. Retirar un vástago cubierto con material podría dañar las piezas internas de la herramienta.

#### Protección contra sobrecargas electrónicas

La pistola incluye una función de protección contra sobrecargas electrónicas. Si se ejerce demasiada presión en el tubo, el motor retrocederá automáticamente por un segundo, y luego se apagará. Esto ayuda a evitar daños a la herramienta, al tubo de calafateo o al paquete.

Si el motor se apaga, asegúrese que:

- Se haya cortado la punta de la boquilla
- Se haya roto el sello interno del tubo de calafateo
- Se haya extraído el material endurecido de la boquilla
- El tubo de calafateo no esté dañado o congelado
- El vástago de percutor no contiene materiales adhesivos/de calafateo

Suelte el gatillo para permitir que los dispositivos electrónicos se restablezcan. Si el motor continúa apagándose, trate con otro tubo de material o lleve la herramienta a un Centro de Servicio MILWAUKEE.

#### Mecanismo de inversión automática

Esta herramienta incluye una función de inversión automática que invierte la marcha del percutor cuando se oprime el gatillo por más de 2 segundos y luego se suelta. Esta función ayuda a evitar que material en exceso continúe fluyendo.

Pulsar el gatillo desactivará el mecanismo de inversión automática y permitirá una presión continua en el tubo. Esto ayuda a mantener una velocidad de avance de material más lenta.

#### Apagado automático

Cuando el tubo de calafateo está vacío, la función de apagado automático apagará el motor. Tire del percutor hacia atrás y coloque un nuevo tubo.

**Advertencia:** La presencia de material adhesivo o de calafateo en el vástago de percutor podría ocasionar que la herramienta se apagara o que se activara inexplicablemente la función de inversión automática. El vástago de percutor debe permanecer limpio y libre de material adhesivo o de calafateo. Si se observa la presencia de material en el mecanismo del vástago de percutor, extraiga éste, y retire el material del vástago y de la herramienta con un cepillo y solvente de acuerdo con las instrucciones del fabricante del material adhesivo o de calafateo.

#### MANTENIMIENTO



#### ¡ADVERTENCIA!

Para reducir el riesgo de una lesión, desconecte siempre la herramienta antes de darle cualquier mantenimiento. Nunca desarme la herramienta ni trate de hacer modificaciones en el sistema eléctrico de la misma. Acuda siempre a un Centro de Servicio MILWAUKEE para TODAS las reparaciones.

Adopte un programa regular de mantenimiento y mantenga sus baterías y cargador en buenas condiciones. Después de 6 meses a un año, dependiendo del uso dado, envíe su herramienta, batería y cargador, al Centro de Servicio MILWAUKEE más cercano para que le hagan:

- Lubricación
- Inspección mecánica y limpieza (engranes, flechas, baleros, carcasa, etc.)
- Inspección eléctrica (batería, cargador, motor)
- Probarla para asegurar una adecuada operación mecánica eléctrica

## Mantenimiento de la herramienta

Si la herramienta no arranca u opera a toda su potencia con una batería completamente cargada, limpie, con una goma o borrador, los contactos de la batería y de la herramienta. Si aun así la herramienta no trabaja correctamente, regrésela , con el cargador y la batería, a un centro de servicio MILWAUKEE para que sea reparada.

## Mantenimiento de las baterías

Las baterías MILWAUKEE de Níquel-Cadmio operarán por muchos años y / o cientos de ciclos, cuando son usadas y mantenidas de acuerdo a las instrucciones.

Una batería que está guardada, sin usarse, por seis meses, se descargará. Las baterías se descargan a razón de 1% por día. Con el objeto de maximizar la vida de la batería, cárguela batería cada seis meses aun si no la usa. No trabe el interruptor en la posición "ON", dejando la herramienta sin cuidados ya que se podría descargar la batería a un grado tal que no podría volver a cargarse nunca más. Use una batería MILWAUKEE hasta que ya no trabaje con la potencia y el torque necesario para la aplicación requerida.

Almacene su batería en un sitio seco y fresco. No lo almacene donde las temperaturas puedan exceder 50° C (120°F), como puede ser dentro de un vehículo o un edificio metálico durante el verano. Las altas temperaturas sobrecalentarán la batería, reduciendo la vida de la misma. Si se le guarda por varios meses, la batería perderá su carga en forma gradual. Se llevará entre uno y tres ciclos de carga y descarga con un uso normal, para que se restablezca la capacidad total de la batería. Durante la vida de la batería, el tiempo operativo de la misma se va reduciendo. Si este tiempo operativo se vuelve demasiado corto luego de una carga adecuada, significa que la vida útil de la batería ha sido concluida y deberá cambiarse por una nueva.



### ¡ADVERTENCIA!

Para reducir el riesgo de una lesión, descarga eléctrica o daño a la herramienta, batería o cargador, nunca los sumerja en líquidos ni permita que estos fluyan dentro de los mismos.

## Limpieza

Limpie el polvo y suciedad de las ventilas del cargador y la herramienta. Mantenga los mangos y empuñaduras limpios, secos y libres de aceite o grasa. Use solo jabón neutro y un trapo húmedo para limpiar la herramienta, batería y el cargador, ya que algunos substancias y solventes limpiadores son dañinos a los plásticos y partes aislantes. Algunos de estos incluyen: gasolina, turpentina, thinner, lacas, thinner para pinturas, solventes para limpieza con cloro, amoníaco y detergentes caseros que tengan amonia. Nunca use solventes inflamables o combustibles cerca de una herramienta.



### ¡ADVERTENCIA!

Para reducir el riesgo de una explosión, no quemar nunca una batería, aun si está dañada, "muerta" o completamente descargada.

## Sellos de Reciclaje de Baterías RBRC

Los Sellos de Reciclaje de Baterías RBRC™ (véase "Simbología") en las baterías de su herramienta indican que MILWAUKEE ha hecho los arreglos pertinentes para reciclar dichas baterías con la *Rechargeable Battery Recycling Corporation* (Corporación de Reciclaje de Baterías Recargables, o RBRC por sus siglas en inglés). Al final de la vida útil de las baterías, devuelva éstas a la Oficina Principal/Centro de Servicio de MILWAUKEE o el distribuidor autorizado más cercano a usted. Si desea mayor información, visite el sitio web de RBRC en [www.rbrc.org](http://www.rbrc.org).

## Cómo desechar las baterías de níquel-cadmio

Las baterías de níquel-cadmio son reciclables. Bajo ciertas leyes estatales y locales, puede ser ilegal desechar las baterías en el drenaje municipal. Deshágase de ellas de acuerdo con los reglamentos federales, estatales y locales.

## Reparaciones

Si su herramienta, batería o cargador están dañados, envíela al centro de servicio más cercano.

## Garantía de la batería

Las baterías para herramientas están garantizadas por un año a partir de la fecha de compra.

## ACCESORIOS



### ¡ADVERTENCIA!

Siempre retire la batería antes de cambiar o retirar accesorios. Utilice únicamente accesorios específicamente recomendados para esta herramienta. El de uso accesorios no recomendados podría resultar peligroso.

Para una lista completa de accesorios, refiérase a su catálogo MILWAUKEE Electric Tool o visite nuestro sitio en Internet: [www.milwaukeetool.com](http://www.milwaukeetool.com). Para obtener un catálogo, contacte su distribuidor local o uno de los centros de servicio.

## 284 g (10 oz) Juego de la Estructura de Soporte

Cat. No. 48-08-1000

Debe utilizar el soporte 49-52-0500

## 851 g (30 oz) Juego de la Estructura de Soporte

Cat. No. 48-08-1010

Debe utilizar el soporte 49-52-0525

## 284 g (10 oz) Juego del Cilindro del Paquete Tipo Salchicha

Cat. No. 48-08-1020

Debe utilizar el soporte 49-52-0500

## 567 g (20 oz) Juego del Cilindro del Paquete Tipo Salchicha

Cat. No. 48-08-1030

Debe utilizar el soporte 49-52-0515

## GARANTÍA LIMITADA DE CINCO AÑOS

Todas las herramientas MILWAUKEE se prueban antes de abandonar la fábrica y se garantiza que no presentan defectos ni en el material ni de mano de obra. En el plazo de cinco (5) años a partir de la fecha de compra MILWAUKEE reparará o reemplazará (a discreción de MILWAUKEE), sin cargo alguno, cualquier herramienta (cargadores de baterías inclusive) cuyo examen determine que presenta defectos de material o de mano de obra. Devuelva la herramienta, con gastos de envío prepagados y asegurada, y una copia de la factura de compra, u otro tipo de comprobante de compra, a una sucursal de reparaciones/ventas de la fábrica MILWAUKEE o a un centro de reparaciones autorizado por MILWAUKEE. Esta garantía no cubre los daños ocasionados por reparaciones o intentos de reparación por parte de personal no autorizado por MILWAUKEE, abuso, desgaste y deterioro normal, falta de mantenimiento o accidentes.

Las baterías, linternas y radios tienen una garantía de un (1) año a partir de la fecha de compra.

LOS DERECHOS A REPARACIÓN Y REEMPLAZO DESCRITOS EN EL PRESENTE DOCUMENTO SON EXCLUSIVOS. MILWAUKEE NO SERÁ EN NINGÚN CASO RESPONSABLE DE DAÑOS INCIDENTALES, ESPECIALES O CONSECUENTES, INCLUYENDO LA PÉRDIDA DE GANANCIAS.

ESTA GARANTÍA ES EXCLUSIVA Y SUSTITUYE A TODA OTRA GARANTÍA, O CONDICIONES, ESCRITAS U ORALES, EXPRESAS O IMPLÍCITAS DE COMERCIALIZACIÓN O IDONEIDAD PARA UN USO O FIN DETERMINADO.

Esta garantía le proporciona derechos legales específicos. Es posible que usted tenga otros derechos que varían de estado a estado y de provincia a provincia. En aquellos estados que no permiten la exclusión de garantías implícitas o la limitación de daños incidentales o consecuentes, las limitaciones anteriores pueden que no apliquen. Esta garantía es válida solamente en los Estados Unidos, Canadá y México.

## UNITED STATES - MILWAUKEE Service

MILWAUKEE prides itself in producing a premium quality product that is NOTHING BUT HEAVY DUTY®. Your satisfaction with our products is very important to us!

If you encounter any problems with the operation of this tool, or you would like to locate the *factory* Service/Sales Support Branch or *authorized service station*

nearest you, please call...

**1-800-SAWDUST**

(1.800.729.3878)

NATIONWIDE TOLL FREE

Monday-Friday • 8:00 AM - 4:30 PM • Central Time

or visit our website at

**www.milwaukeetool.com**

For service information, use the 'Service Center Search' icon found in the 'Parts & Service' section.

Additionally, we have a nationwide network of *authorized* Distributors ready to assist you with your tool and accessory needs. Check your "Yellow Pages" phone directory under "Tools-Electric" for the names & addresses of those nearest you or see the 'Where To Buy' section of our website.

Corporate After Sales Service - Technical Support  
Brookfield, Wisconsin USA

•Technical Questions •Service/Repair Questions •Warranty

**1-800-SAWDUST**

(1.800.729.3878) fax: 1.800.638.9582

**email: metproductsupport@milwaukeetool.com**

Monday-Friday • 8:00 AM - 4:30 PM • Central Time

## Canada - Service MILWAUKEE

MILWAUKEE est fier de proposer un produit de première qualité NOTHING BUT HEAVY DUTY®. Votre satisfaction est ce qui compte le plus!

En cas de problèmes d'utilisation de l'outil ou pour localiser le centre de service/ventes ou le *centre d'entretien* le plus proche, appelez le...

**416.439.4181**

fax: 416.439.6210

**Milwaukee Electric Tool (Canada) Ltd**  
755 Progress Avenue  
Scarborough, Ontario M1H 2W7

Notre réseau national de distributeurs *agréés* se tient à votre disposition pour fournir l'aide technique, l'outillage et les accessoires nécessaires. Composez le 416.439.4181 pour obtenir les noms et adresses des revendeurs les plus proches ou bien consultez la section «Où acheter» sur notre site web à l'adresse

**www.milwaukeetool.com**

## MEXICO - Servicios de MILWAUKEE

**Milwaukee Electric Tool**

Blvd. Abraham Lincoln no. 13

Colonia Los Reyes Zona Industrial

Tlalnepantla, Edo. México C.P. 54073

Tel. 55 5565-1414 Fax: 55 5565-6874

Adicionalmente, tenemos una red nacional de distribuidores *autorizados* listos para ayudarle con su herramienta y sus accesorios. Por favor, llame al 55 5565-1414 para obtener los nombres y direcciones de los más cercanos a usted, o consulte la sección 'Where to buy' (Dónde comprar) de nuestro sitio web en

**www.milwaukeetool.com**

MILWAUKEE ELECTRIC TOOL CORPORATION

13135 West Lisbon Road • Brookfield, Wisconsin, U.S.A. 53005