

**UB-6/8 Oven/Proofer**

Project \_\_\_\_\_

Item \_\_\_\_\_

Quantity \_\_\_\_\_



**SIZE:**

**UB-6/8** - 83-7/8" High, 32-1/4" Wide, 36-1/8" Deep  
2130 mm High, 819 mm Wide, 918 mm Deep

**NU-VU's UB-6/8** oven/proofer features our patented **V-AIR®** System in the oven. The heat is distributed evenly throughout the oven cavity by the fan located in the top of the oven which blows the air down the inside walls of the cavity and up and out through the holes at each shelf. This gives your product an even bake, top to bottom, side to side and front to back without ever turning pans.

The proofer portion of the UB-6/8 comes standard with a manual fill humidity system.

The UB-6/8 has a capacity of 6 full size or 12 half size pans in the oven and 8 full size or 16 half size pans in the proofer.

These units also feature flush mount doors, which means no sagging or leaking. Lift off hinges allow for easy cleaning. The lighted oven and proofer compartments make it easy for you to do sight baking and proofing without having to open the doors, disturbing the internal temperatures.

**CONSTRUCTION:**

- Welded stainless steel
- Fully insulated
- Control panel accessible through front and side of unit
- Heating elements accessible inside of cabinet and through top

**CONTROLS:**

- Solid state controls
- Indicator lights for thermostats
- Microswitch fan motor cut-off
- Multi speed fan switch

**LABORATORY CERTIFICATION AND APPROVAL**



**STANDARD FEATURES:**

- **V-AIR®** technology
- Stainless steel construction
- Mechanical magnetic door latches
- 3" Heavy duty locking casters
- Full view tempered glass doors
- Silicone rubber door gaskets
- Flush mount, lift off, no sag doors
- Stainless steel hinges
- Overflow drain and pan
- Manual fill proofer
- 4 speed fan switch

**OPTIONAL FEATURES:**

- Internal steam
- AutoMist humidity in proofer
- Warmer in proofer
- Cook'n Hold
- Solid door
- Product probe
- 2 speed fan switch

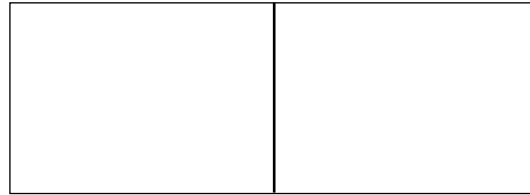
**NU-VU® UB-6/8 Oven/Proofer**



**NU-VU® Food Service Systems**

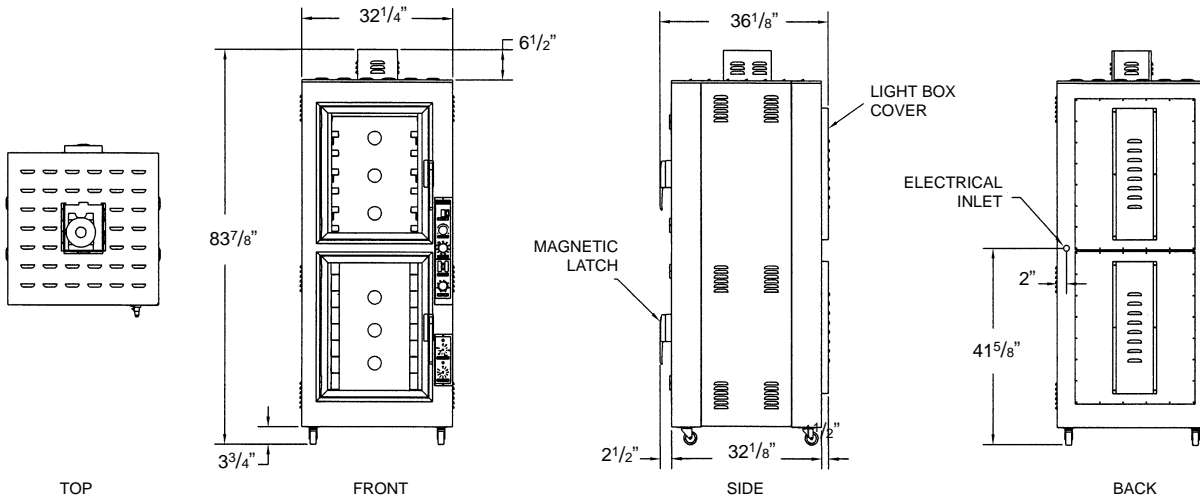
www.nu-vu.com  
5600 13th Street  
Menominee, MI 49858

1-800-338-9886 Toll Free  
1-906-863-4401 Phone  
1-906-863-5889 Fax



Approval / Stamp

## UB-6/8 Oven/Proofer



NU-VU® UB-6/8 Oven/Proofer

### SPECIFICATIONS:

#### ELECTRICAL:

208 or 240 Volt single or three phase is standard.  
(Specify at time of order.)

#### SERVICE CONNECTIONS:

UB-6/8 is shipped from factory to be hard wired on site.  
Single phase uses three-wire system. Three phase uses four-wire system.

#### ELECTRICAL:

Amp Draw	208/1	208/3	240/1	240/3
	52	35	46	31

#### WATER:

A 1/4" waterline is required if a steam or AutoMist option is selected. A water filtration system should be used to minimize mineral build-up.

#### LISTINGS:

The UB-6/8 has NSF & C-ETL-US listings.



### INSTALLATION:

Allow four inches on each side and back of unit for ventilation of oven.

### CAPACITY: Per Compartment

	18"x26" Sheet Pans	13"x18" Sheet Pans	Spacing
Oven	6	12	4"
Proofer	8	16	3-1/2"

### DIMENSIONS:

	Height	Width	Depth
Exterior	83-7/8"	32-1/4"	36-1/8"
Interior			
Oven	26-1/4"	18-1/4"	28-1/2"
Proofer	30-1/4"	18-1/2"	28-1/2"

**DOOR SWING:** Oven - 24-1/4" (616 mm)

Proofer - 24-1/4" (616 mm)

### PACKING SIZE:

86" High, 36" Wide, 38" Deep  
(2184 mm High, 914 mm Wide, 965 mm Deep)

### SHIPPING WEIGHT:

700 Pounds (318 Kg), FOB Menominee, MI 49858