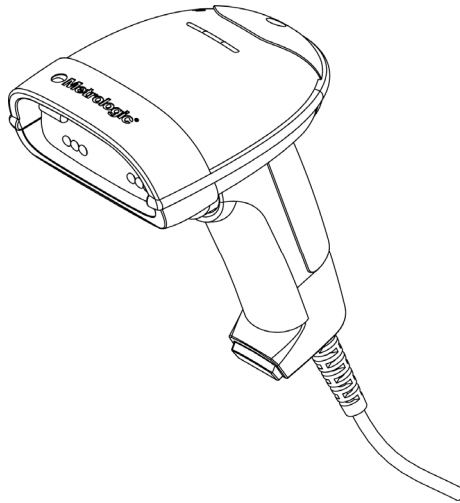




METROLOGIC INSTRUMENTS, INC.
MS1690 Focus® Series
Area Imaging Bar Code Scanner
Installation and User's Guide



Copyright

© 2008 by Metrologic Instruments, Inc. All rights reserved. No part of this work may be reproduced, transmitted, or stored in any form or by any means without prior written consent, except by reviewer, who may quote brief passages in a review, or provided for in the Copyright Act of 1976.

Trademarks

Metrologic is a registered trademark of Metrologic Instruments, Inc. Products identified in this document are hereby acknowledged as trademarks, registered or otherwise, of Metrologic Instruments, Inc. or their respective companies.

TABLE OF CONTENTS

Introduction

Product Overview	1
Scanner and Accessories	2
Scanner Components	4
The PowerLink Cable	5
Labels	6
Maintenance	6

Installing the Scanner to the Host System

RS232	7
Keyboard Wedge	8
Stand Alone Keyboard	9
RS485	10
Full Speed USB (Integrated)	11
Low Speed USB (Integrated)	11

Stand Kits

Stand Components, MLPN 46-00147	12
Hard Mounting the Stand	13
Assembling the Stand	14

Scanner Operation

Two Default Modes of Operation	15
Audible Indicators	16
Visual Indicators	17
Failure Modes	18
MS1690 Depth of Field by Minimum Bar Code Element Width	19
MS1691 Depth of Field by Minimum Bar Code Element Width	20
MS1690 IR Activation Range	21
MS1691 IR Activation Range	22

Troubleshooting Guide	23
-----------------------------	----

Design Specifications	27
-----------------------------	----

Applications and Protocols	29
----------------------------------	----

TABLE OF CONTENTS


Default Settings – Communication Parameters	30
Configuration Modes	34
Upgrading the Flash ROM Firmware	35
Scanner and Cable Terminations	
Scanner Pinout Connections	36
Cable Connector Configurations	38
Limited Warranty	40
Regulatory Compliance	
Safety	41
EMC	42
Patents	44
Index	45
Contact Information and Office Locations.....	47

INTRODUCTION

Product Overview

Metrologic's MS1690 Focus[®] series of high performance hand-held area imaging bar code scanners utilizes high-resolution CMOS imaging sensors for superior image quality. Omniplanar, Inc.'s SwiftDecoder[®] software, for reliable decoding of both 1D and 2D bar code symbologies. Sharp images can be captured and transmitted in a variety of outputs including: .jpg, .bmp, and .tiff.

The MS1690 series provides an extended depth of field and a built in object detection sensor (IR) that instantly turns on the scanner when an object is presented within the scanner's field of view. Automatic in-stand detection switches the scanner to a "presentation" mode for convenient in-stand scanning.

Model	Interface
MS1690 – 11	RS485 [▲] , RS232-TXD, RXD, RTS, CTS
MS1690 – 14 or MS1691 – 14	RS232 (TX, RX, RTS, CTS, DTR)
MS1690 – 38	Low Speed USB
MS1690 – 40	Full Speed USB
MS1690 – 47 or MS1691 – 47	Keyboard Wedge, Stand-Alone Keyboard and RS232 Transmit/Receive
MS1690 – 106 or MS1691 – 106	RS485 [▲] , Full Speed USB, and RS232 Transmit/Receive
	Decoding and functional capability of the unit is restricted through the use of license numbers provided by Metrologic. Units will not support key features such as, but not limited to, the ability to decode PDF, 2D or OCR fonts without the proper licenses. Desired licenses can be specified at the time of sale or call a Metrologic representative for more information. Standard models ship with the ability to read all 1D, PDF and 2D bar codes. OCR fonts are disabled by default and must be specifically requested at an additional cost.

[▲] Applicable for IBM[®] Host applications.

INTRODUCTION

Scanner and Accessories


BASIC KIT	
Part #	Description
MS1690 or MS1691	Area Imaging Bar Code Scanner or Area Imaging HD Bar Code Scanner
00-02544	MetroSelect® Single-Line Configuration Guide*
00-02281	Supplemental Configuration Guide*
00-02098	MS1690 Series Area Imaging Bar Code Scanner Installation and User's Guide*

* Available on the Metrologic website - www.metrologic.com

OPTIONAL ACCESSORIES	
Part #	Description
AC to DC Power Transformer - Regulated 5.2VDC @ 1 A output.	
46-00525	90VAC-255VAC United States, Canada, and Japan
46-00526	90VAC-255VAC Continental European
46-00527	90VAC-255VAC United Kingdom
46-00528	90VAC-255VAC Australia
46-00529	90VAC-255VAC China
53-53000-3-FR	RS232 PowerLink Cable with Built in Power Jack coiled cord, long strain relief, black with ferrite
53-53002-3	Keyboard Wedge PowerLink Cable with Adapter Cable coiled cord, long strain relief, black
53-53020-3	Stand Alone Keyboard PowerLink Cable coiled cord, long strain relief, black

Other items may be ordered for the specific protocol being used. To order additional items, contact the dealer, distributor or call Metrologic's Customer Service Department at 1-800-ID-METRO or 1-800-436-3876.

Scanner and Accessories

OPTIONAL ACCESSORIES	
Part #	Description
53-53213x-N-3-FR	USB Full Speed Cable, Locking Plus-Power™ Type A, coiled cord, long strain relief, black with ferrite
53-53214x-N-3-FR	USB Full Speed Cable, Locking Plus-Power™ Type A, coiled cord, long strain relief, black with ferrite  This cable is for use with full speed USB (-40) interface only.
53-53235x-N-3-FR	USB Low Speed Communication Cable Type A, coiled cord, long strain relief, black with ferrite
MVC-2MPC-IB9	RS485 [▲] Applications Metrologic Voltage Converter (MVC) Cable* ±12VDC to +5.2VDC
MVC-3M106C-IB9	RS485 [▲] Applications Metrologic Voltage Converter (MVC) Cable* ±12VDC to +5.2VDC
<i>* Contact a Metrologic customer service representative for additional information on the MVC cable series and the host connections available.</i>	
00-02001	MS1690 Stand (46-00147) Installation Guide
46-00147	Modular Presentation Stand

Other items may be ordered for the specific protocol being used. To order additional items, contact the dealer, distributor or call Metrologic's Customer Service Department at 1-800-ID-METRO or 1-800-436-3876.

[▲] Applicable for IBM® Host applications.

Scanner Components

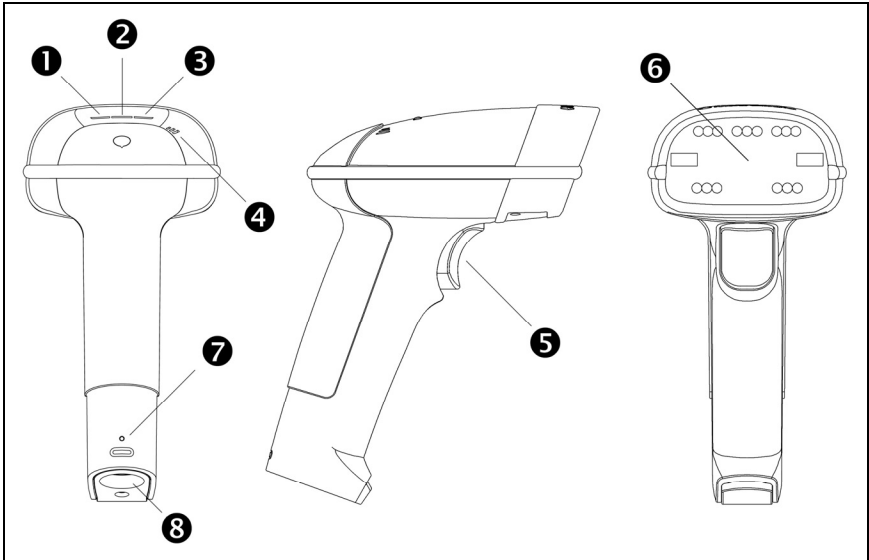


Figure 1. Scanner Components

Item Description		
1	Yellow LED	See <i>Visual Indicators</i> (on page 17)
2	White LED	See <i>Visual Indicators</i> (on page 17)
3	Blue LED	See <i>Visual Indicators</i> (on page 17)
4	Speaker	See <i>Audible Indicators</i> (on page 16)
5	Trigger	
6	Red Window	LED Aperture
7	Cable Release	See <i>The PowerLink Cable</i> (on page 5)
8	Cable Connection	10-pin RJ45, Female Socket, See <i>Scanner Pinout Connections</i> (on page 36)

The PowerLink Cable

Connecting



Important: If the PowerLink cable is not fully 'latched' the unit can power intermittently.

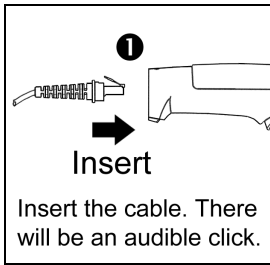


Figure 2.

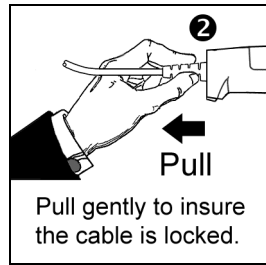


Figure 3.

Disconnecting

Before removing the cable from the scanner, Metrologic recommends that the power on the host system is off and the power supply has been disconnected from the PowerLink cable.

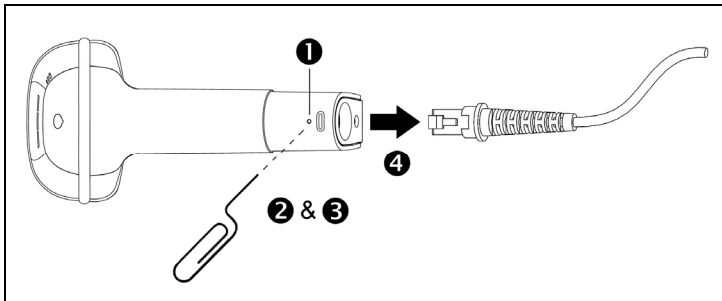


Figure 4. Releasing the PowerLink Cable

1. Locate the small 'pin-hole' on the handle of the unit near the cable.
2. Bend an ordinary paperclip into the shape shown above.
3. Insert the paperclip (or other small metallic pin) into the small 'pin-hole'.
4. There will be a faint 'click' when the lock is released. Pull gently on the strain-relief of the PowerLink cable to remove the cable from the unit.

INTRODUCTION

Labels

Each scanner has a label located on the underside of the head. This label provides the unit's model number, date of manufacture, serial number, CE and caution information. The following figure gives an example of the label and its location.

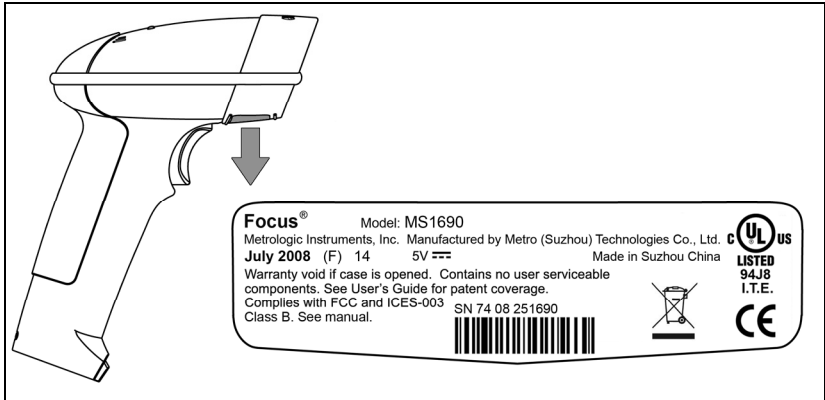


Figure 5. Label Sample and Location

Caution:



To maintain compliance with applicable standards, all circuits connected to the scanner must meet the requirements for SELV (Safety Extra Low Voltage) according to EN/IEC 60950-1.

To maintain compliance with standard CSA-C22.2 No. 60950-1/UL 60950-1 and norm EN/IEC 60950-1, the power source should meet applicable performance requirements for a limited power source.

Maintenance

Smudges and dirt on the unit's window can interfere with the unit's performance. If the window requires cleaning, use only a mild glass cleaner containing no ammonia. When cleaning the window, spray the cleaner onto a lint free, non-abrasive cleaning cloth then gently wipe the window clean.

If the unit's case requires cleaning, use a mild cleaning agent that does not contain strong oxidizing chemicals. Strong cleaning agents may discolor or damage the unit's exterior.

INSTALLING THE SCANNER TO THE HOST SYSTEM

RS232

1. Turn off the host device.
2. Plug the male 10-pin RJ45 end of the PowerLink cable into the 10-pin socket on the scanner. There will be an audible *click* when the connector lock engages.
3. Connect the 9-pin D-type connector of the communication cable to the proper COM port of the host device.
4. Plug the power supply into the power jack on the PowerLink cable.



Check the AC input requirements of the power supply to verify the voltage matches the AC outlet. The outlet must be located near the equipment and be easily accessible.

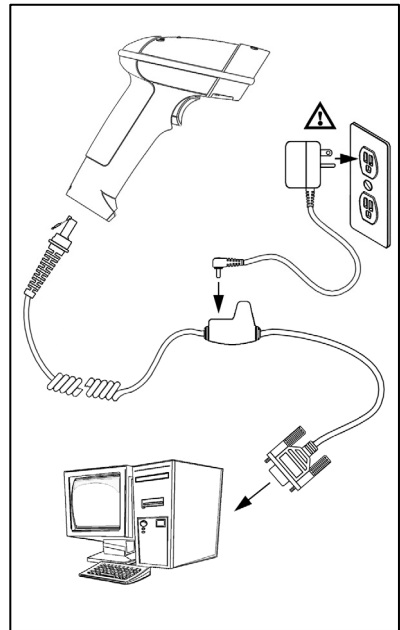


Figure 6.

5. Connect AC power to the transformer.
6. The scanner will start to initialize. All LEDs (yellow, white, and blue) will light for approximately two seconds then start to alternately flash. When the scanner has finished initializing the LEDs will stop flashing and the unit will beep three times indicating that the scanner is ready for use.
7. Turn on the host device.



Plugging the scanner into a port on the host system does not guarantee that scanned information will be communicated properly to the host system. The scanner is shipped from the factory configured with default settings. Please refer to the MetroSelect Single-Line Configuration Guide (MLPN 00-02544) or MetroSet2's help files for instructions on changing the scanner's configuration. In addition, please check that the scanner and host system are using the same communication protocol.



See power source caution statement located on page 6 of this manual.

INSTALLING THE SCANNER TO THE HOST SYSTEM

Keyboard Wedge

1. Turn off the host device.
2. Plug the 10-pin RJ45 male end of the PowerLink cable into 10-pin socket on the scanner. There will be an audible *click* when the connector lock engages.
3. Disconnect the keyboard from the host device.
4. Connect the “Y” ends of the communication cable to the keyboard and keyboard port on the host device. If necessary use the male/female adapter cable supplied with the scanner for proper connections.
5. Plug the external power supply (*required*) into the power jack on the PowerLink cable.



Check the AC input requirements of the power supply to verify the voltage matches the AC outlet. The outlet must be located near the equipment and be easily accessible.

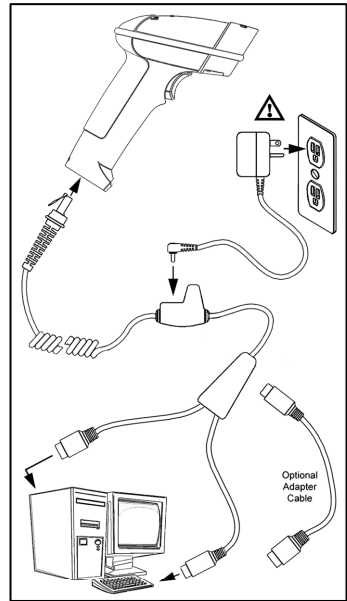


Figure 7.

6. Connect AC power to the transformer.
7. The scanner will start to initialize. All LEDs (yellow, white, and blue) will light for approximately two seconds then start to alternately flash. When the scanner has finished initializing the LEDs will stop flashing and the unit will beep three times indicating that the scanner is ready for use.
8. Turn on the host device.



Plugging the scanner into a port on the host system does not guarantee that scanned information will be communicated properly to the host system. The scanner is shipped from the factory configured with default settings. Please refer to the MetroSelect Single-Line Configuration Guide (MLPN 00-02544) or MetroSet2's help files for instructions on changing the scanner's configuration. In addition, please check that the scanner and host system are using the same communication protocol.



See power source caution statement located on page 6 of this manual.

INSTALLING THE SCANNER TO THE HOST SYSTEM

Stand Alone Keyboard

1. Turn off the host device.
2. Plug the male 10-pin RJ45 end of the PowerLink cable into the 10-pin socket on the scanner. There will be an audible *click* when the connector lock engages.
3. Plug the other end of the communication cable into the host's keyboard port.
4. Plug the external power supply into the power jack on the PowerLink cable.



Check the AC input requirements of the power supply to verify the voltage matches the AC outlet. The outlet must be located near the equipment and be easily accessible.

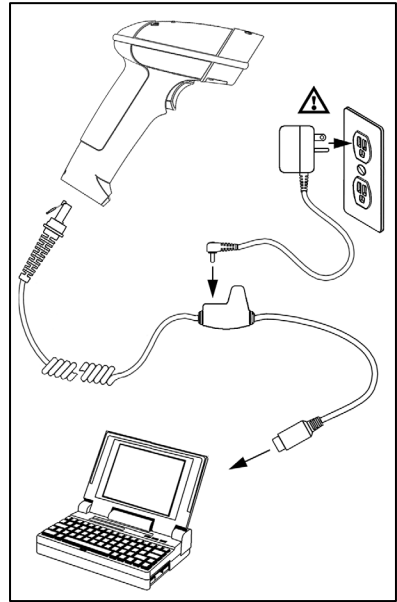


Figure 8.

5. Connect AC power to the transformer.
6. The scanner will start to initialize. All LEDs (yellow, white, and blue) will light for approximately two seconds then start to alternately flash. When the scanner has finished initializing the LEDs will stop flashing and the unit will beep three times indicating that the scanner is ready for use.
7. Turn on the host device.



Plugging the scanner into a port on the host device does not guarantee that scanned information will be communicated properly to the host device. The scanner is shipped from the factory configured with default settings. Please refer to the MetroSelect Single-Line Configuration Guide (MLPN 00-02544) or MetroSet2's help files for instructions on changing the scanner's configuration. In addition, please check that the scanner and host system are using the same communication protocol.



See power source caution statement located on page 6 of this manual.

INSTALLING THE SCANNER TO THE HOST SYSTEM

RS485[▲]

1. Turn off the host device.
2. Plug the male 10-pin RJ45 end of the MVC cable into the 10-pin socket on the scanner. There will be an audible *click* when the connector lock engages.
3. Connect the other end of the MVC cable to the host device.
4. Turn on the host device.
5. The scanner will start to initialize. All LEDs (yellow, white, and blue) will light for approximately two seconds then start to alternately flash. When the scanner has finished initializing the LEDs will stop flashing and the unit will beep three times indicating that the scanner is ready for use.

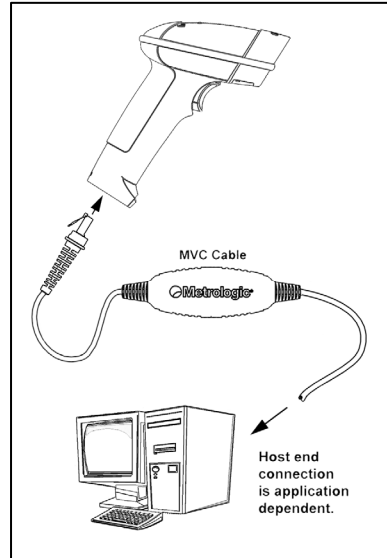


Figure 9.

[▲] *Applicable for IBM[®] Host applications.*



Plugging the scanner into a port on the host system does not guarantee that scanned information will be communicated properly to the host system. The scanner is shipped from the factory configured with default settings. Please refer to the MetroSelect Single-Line Configuration Guide (MLPN 00-02544) or MetroSet2's help files for instructions on changing the scanner's configuration. In addition, please check that the scanner and host system are using the same communication protocol.



See power source caution statement located on page 6 of this manual.

INSTALLING THE SCANNER TO THE HOST SYSTEM

Integrated USB:

Full Speed (- 40 or - 106)

Low Speed (- 38)

1. Turn off the host device.
2. Plug the male 10-pin RJ45 end of the USB cable into the 10-pin socket on the scanner. There will be an audible *click* when the connector lock engages.
3. Plug the USB type A end of the USB cable into the host's USB port.
4. Turn on the host device.
5. The scanner will start to initialize. All LEDs (yellow, white, and blue) will light for approximately two seconds then start to alternately flash. When the scanner has finished initializing the LEDs will stop flashing and the unit will beep three times indicating that the scanner is ready for use.

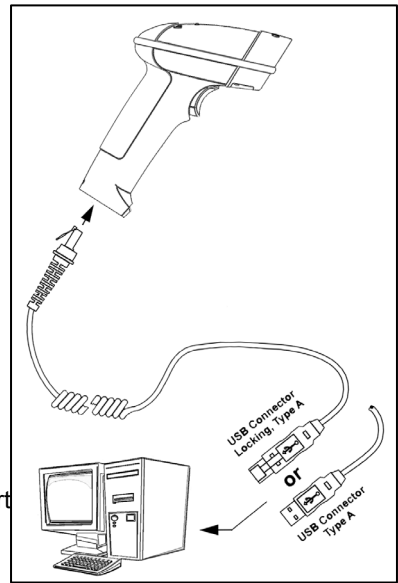


Figure 10.



As a default, the MS1690-38 leaves the factory with USB Keyboard Emulation Mode enabled.

For information on configuring the MS1690-38 for USB Serial Emulation Mode, please refer to the USB section of the MetroSelect Single-Line Configuration Guide (MLPN 00-02544).



Plugging the scanner into a port on the host device does not guarantee that scanned information will be communicated properly to the host device. The scanner is shipped from the factory configured with default settings. Please refer to the MetroSelect Single-Line Configuration Guide (MLPN 00-02544) or MetroSet2's help files for instructions on changing the scanner's configuration. In addition, please check that the scanner and host system are using the same communication protocol.



See power source caution statement located on page 6 of this manual.

Stand Components, MLPN 46-00147

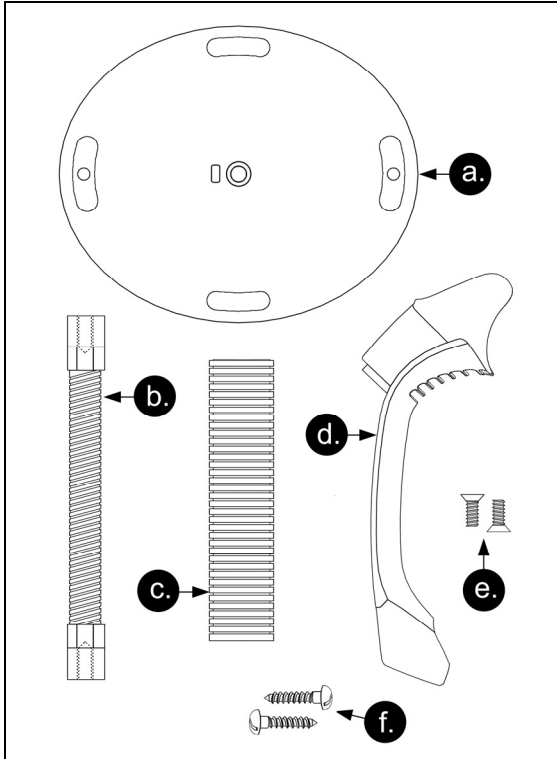


Figure 11. Stand Components

Item	Description	Qty.
a.	Stand Base	Qty. 1
b.	Flexible Shaft	Qty. 1
c.	Flexible Shaft Cover	Qty. 1
d.	Scanner Cradle	Qty. 1
e.	1/4" – 20 x 3/8" Flat Head Phillips, 100° Undercut	Qty. 2
f.	#8 Round Head Wood Screw	Qty. 2

Hard Mounting the Stand (Optional)

Metrologic provides two #8 wood screws for securing the stand base to the counter top. The following figure provides the pilot hole dimensions for securing the stand base.

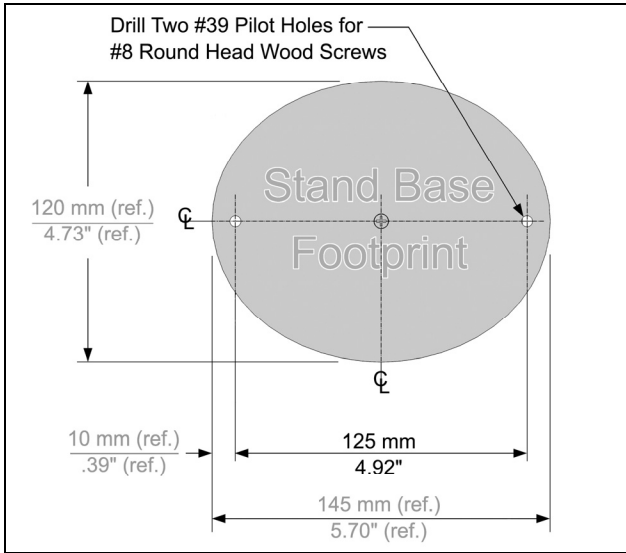


Figure 12. Stand Base Hole Pattern (Not to Scale)

Assembling the Stand

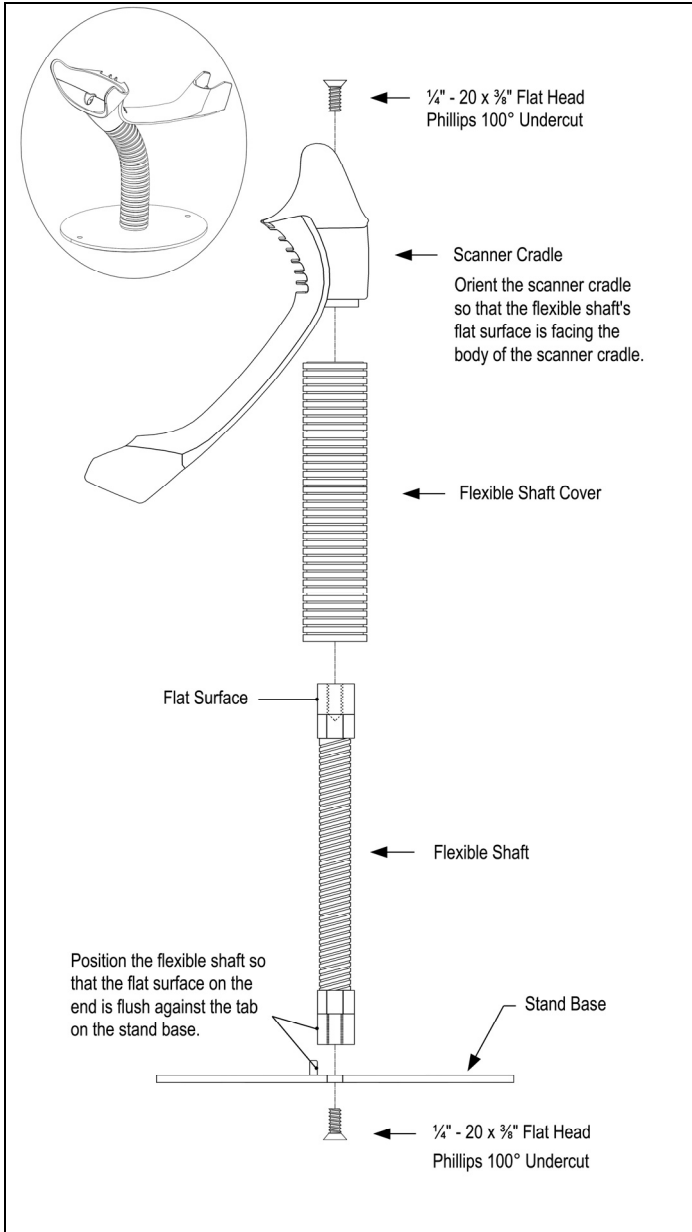



Figure 13. Assembling the Stand

SCANNER OPERATION

Two Default Modes of Operation*

Multi-Trigger, Out of Stand

1. The IR detects an object in the IR activation range and automatically turns on linear illumination.
2. Aim the scanner's line of light over the bar code.
3. Pull the trigger to initiate scanning. The scanner's light output will start to flash as it attempts to scan the bar code.

 If the trigger is released the scanner will stop trying to scan.

4. When scanner successfully reads the bar code it will beep once, the white LED will flash and the decoded data will be transmitted to the host.

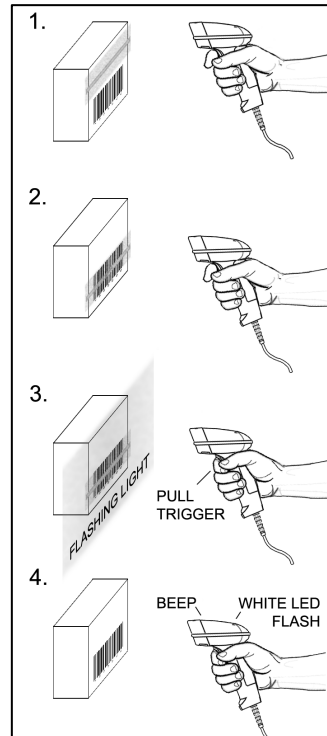


Figure 14. Multi-Trigger, Out-of-Stand

Presentation, In-Stand

1. The IR detects an object in the IR activation range and the scanner's light output automatically starts to flash as it attempts to scan the bar code.
2. The scanner continuously attempts to scan the bar code until either it succeeds or the bar code is removed from the scanner's field of view.
3. When scanner successfully reads the bar code it will beep once, the white LED will flash and the decoded data will be transmitted to the host.

* For additional configurable modes of operation, please refer to the Area Imaging Bar Code Supplemental Configuration Guide (MLPN 00-02281).

Audible Indicators

When the MS1690 series scanner is in operation, the scanner provides audible feedback. These sounds indicate the status of the scanner. Eight settings are available for the tone of the beep (normal, 6 alternate tones and no tone). To change the tone, refer to the MetroSelect Single-Line Configuration Guide, MLPN 00-02544 or MetroSet2's help files.

One Beep

When the scanner *successfully* reads a bar code it will beep once and the white LED will turn on indicating data is being transmitted.

If the scanner does not beep once and the white light does not turn on, then the bar code has *not* been successfully read.

Short Razzberry Tone

This tone is a failure indicator (see Failure Modes on page 18).

Long Razzberry Tone

This tone is a failure indicator (see Failure Modes on page 18).

Three Beeps - At Power Up

When the scanner first receives power it will start an initialization sequence. All LEDs (yellow, white, and blue) will light for approximately two seconds then start to alternately flash. When the scanner has finished initializing the LEDs will stop flashing and the unit will beep three times indicating that the scanner is ready for use.

Three Beeps - Configuration Mode

When entering configuration mode, the white LED will flash while the scanner simultaneously beeps three times. The white and blue LEDs will continue to flash while in this mode. Upon exiting configuration mode, the scanner will beep three times, and the LEDs will stop flashing.

When configured, three beeps can also indicate a communications timeout during normal scanning mode.

When using single-code-configuring, the scanner will beep three times: a normal tone followed by a short pause, a high tone and then a low tone. This indicates that the single configuration bar code has successfully configured the scanner.

Visual Indicators

The MS1690 series scanner has three LED indicators (yellow, white and blue) located on the top of the scanner. When the scanner is on, the flashing or stationary activity of the LEDs indicates the status of the current scan and the scanner.

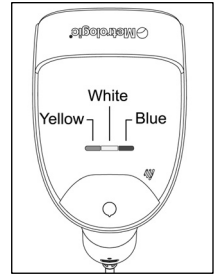


Figure 15.

No LEDs are Illuminated

The LEDs will not be illuminated if the scanner is not receiving power from the host or transformer.

The scanner is in stand-by mode. Present a bar code to the scanner and the blue LED will turn on when the IR detects the object.

Steady Yellow

The yellow LED is illuminated when the scanner is in the stand.

Steady Blue

The blue LED is illuminated when the scanner is active and linear illumination is on or when the scanner is attempting to decode a bar code.

Steady Blue and Single White Flash

When the scanner successfully reads a bar code it will beep once and the white LED will turn on indicating data is being transmitted.

If the scanner does not beep once and the white light does not turn on, then the bar code has not been successfully read.

Steady White

When the scanner successfully reads a bar code it will beep once and the white LED will turn on indicating data is being transmitted.



After a successful scan, the scanner transmits the data to the host device. Some communication modes require that the host inform the scanner when data is ready to be received. If the host is not ready to accept the information, the scanner's white LED will remain on until the data can be transmitted.

Alternating Flashing of Blue and White

This indicates the scanner is in configuration mode. A short razzberry tone indicates that an invalid bar code has been scanned while in this mode.

Flashing Blue

The blue LED will flash if the trigger is pressed while the scanner is in the in-stand presentation mode. The blue LED will stop flashing after a brief period of time.

Failure Modes

Long Razzberry Tone – During Power Up

Failed to initialize or configure the scanner. If the scanner does not respond after reprogramming, return the scanner for repair.

Short Razzberry Tone – During Scanning

An Invalid bar code has been scanned when in configuration mode.

MS1690 Depth of Field by Minimum Bar Code Element Width

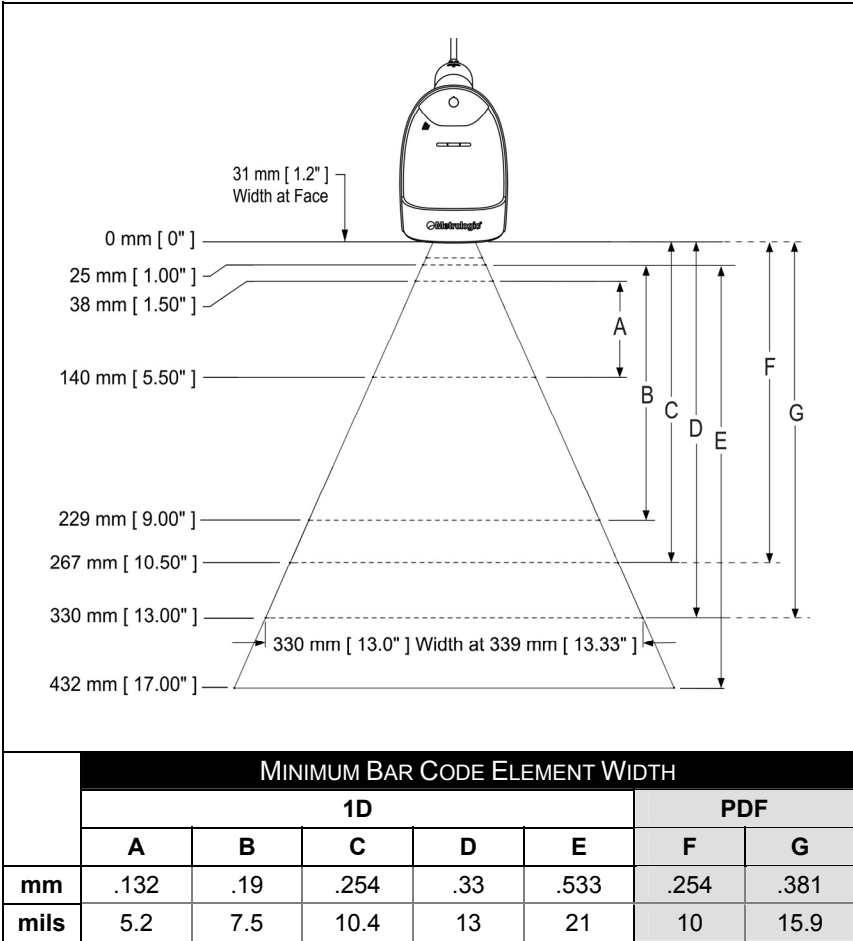



Figure 16. MS1690 Depth of Field by Minimum Bar Code Element Width

 Decoding and functional capability of the unit is restricted through the use of license numbers provided by Metrologic. Units will not support key features such as, but not limited to, the ability to decode PDF, 2D or OCR fonts without the proper licenses. Desired licenses can be specified at the time of sale or call a Metrologic representative for more information. Standard models ship with the ability to read all 1D, PDF and 2D bar codes. OCR fonts are disabled by default and must be specifically requested at an additional cost.

Specifications are subject to change without notice.

MS1691 Depth of Field by Minimum Bar Code Element Width

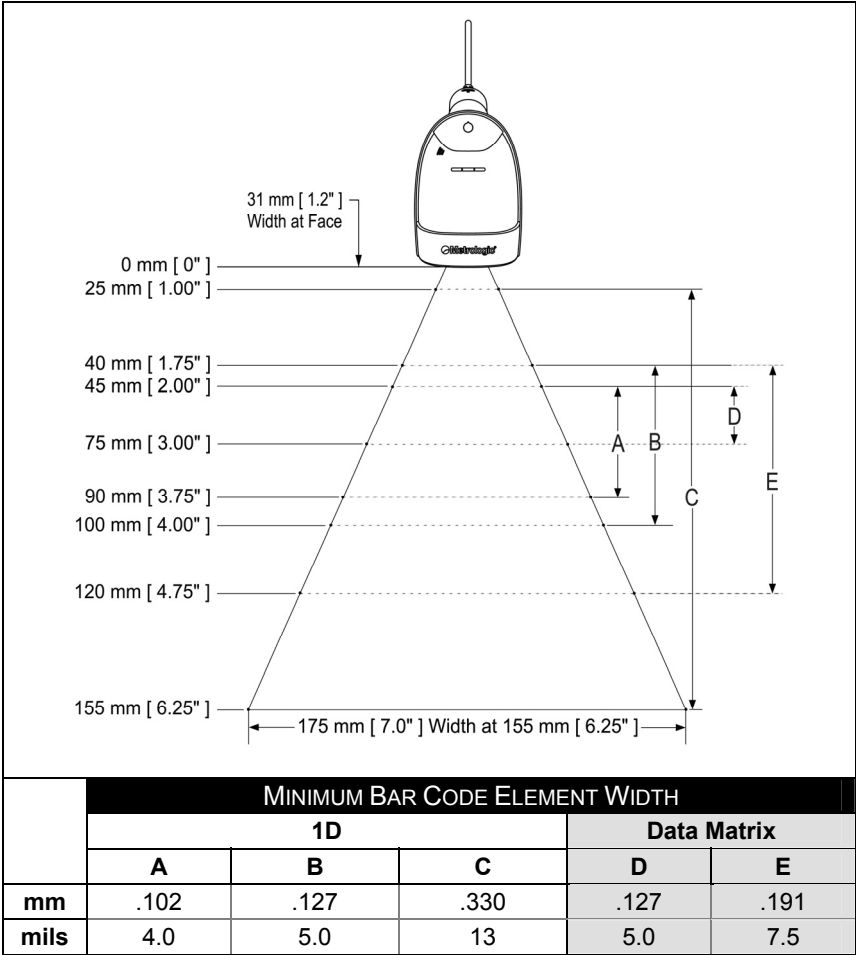



Figure 17. MS1691 Depth of Field by Minimum Bar Code Element Width

 Decoding and functional capability of the unit is restricted through the use of license numbers provided by Metrologic. Units will not support key features such as, but not limited to, the ability to decode PDF, 2D or OCR fonts without the proper licenses. Desired licenses can be specified at the time of sale or call a Metrologic representative for more information. Standard models ship with the ability to read all 1D, PDF and 2D bar codes. OCR fonts are disabled by default and must be specifically requested at an additional cost.

Specifications are subject to change without notice.

MS1690 IR Activation Range

The MS1690 scanner has a built in object detection sensor that instantly turns on the scanner when an object is presented within the scanner's IR activation Area.

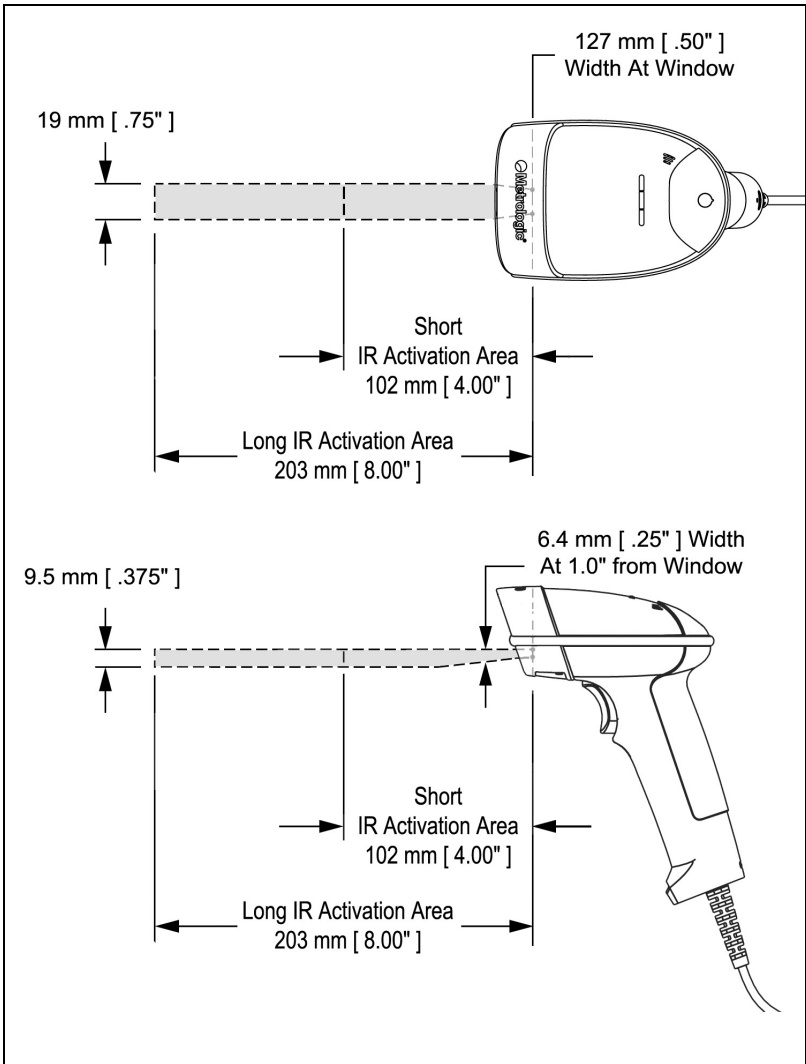


Figure 18. MS1690 IR Activation Area

Specifications are subject to change without notice.

MS1691 IR Activation Range

The MS1691 scanner has a built in object detection sensor that instantly turns on the scanner when an object is presented within the scanner's IR activation Area.

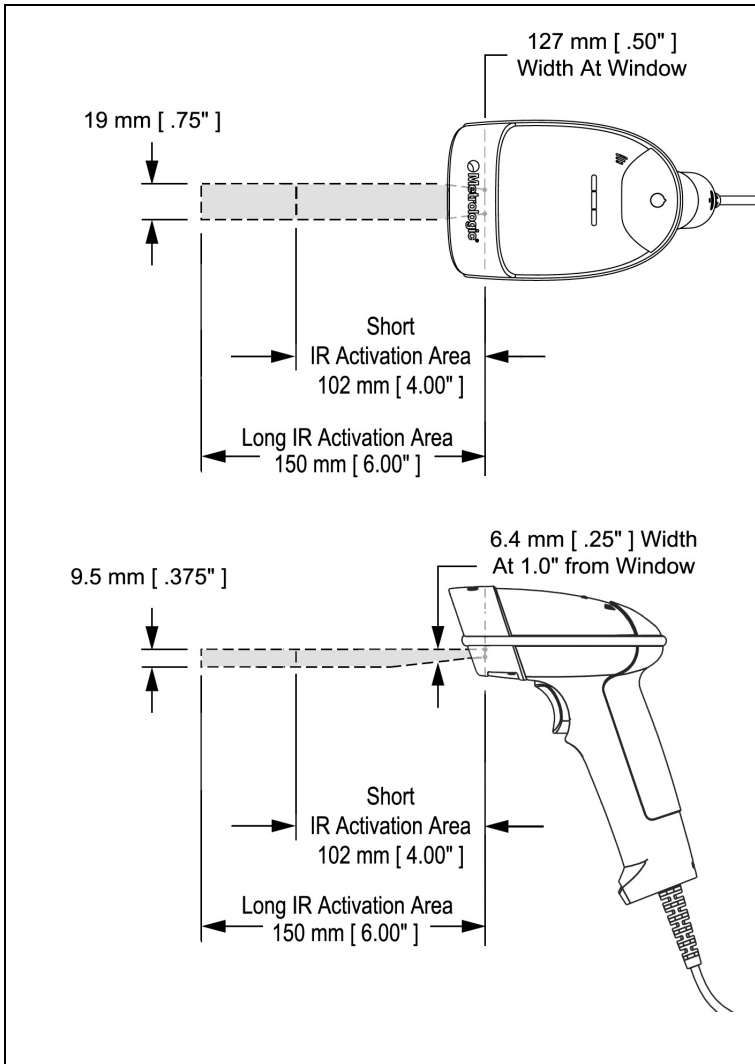


Figure 19. MS1691 IR Activation Area

Specifications are subject to change without notice.

TROUBLESHOOTING GUIDE

The following guide is for reference purposes only. Contact a Metrologic representative at 1-800-ID-Metro or 1-800-436-3876 to preserve the limited warranty terms.

All Interfaces

MS1690 Series Troubleshooting Guide		
Symptoms	Possible Causes	Solution
No LEDs, beep or illumination	No power is being supplied to the scanner.	Check transformer, outlet and power strip. Make sure the cable is plugged into the scanner.
	No power is being supplied to the scanner from the host.	Some host systems cannot supply enough current to power The MS1690. A power supply may be required.
Long Razz tone on power up	The wrong communication cable has been used.	Check that the communication cable matches the unit type and scanner configuration.
	There has been a scanner configuration failure.	Contact a Metrologic service representative, if the unit will not hold the saved configuration.
	There has been a diagnostic failure.	Contact a Metrologic service representative, if the unit will not function.
Long Razz tone when exiting configuration mode	There was a failure saving the new configuration.	Re-try to configure the scanner. Contact a Metrologic Service Representative if the unit will not hold the saved configuration.
Long Razz tone	There is a scanning mechanism failure.	Contact a Metrologic service representative.
Short Razz tone in configuration mode	An invalid bar code has been scanned.	Scan a valid bar code or quit configuration mode.

TROUBLESHOOTING GUIDE

Symptoms	Possible Causes	Solution
The unit powers up, but does not beep when bar code is scanned.	The beeper is disabled and no tone is selected.	Enable the beeper and select a tone.
The unit powers up, but does not scan and/or beep.	The bar code symbology trying to be scanned is not enabled.	UPC/EAN, Code 39, interleaved 2 of 5, Code 93, Code 128, Codabar and PDF are enabled by default. Verify that the type of bar code being read has been selected.
The unit powers up, but does not scan and/or beep.	The scanner is trying to scan a bar code that does not match the configured criteria.	Verify that the bar code being scanned falls into the configured criteria (i.e. character length lock or minimum bar code length settings).
The following item is only relevant for RS232 and USB interfaces.		
The unit scans a bar code, but locks up after the first scan and the white LED stays on.	The scanner is configured to support some form of host handshaking but is not receiving the signal.	If the scanner is setup to support ACK/NAK, RTS/CTS, or XON/XOFF, verify that the host cable and host are supporting the handshaking properly.
The unit scans, but the data transmitted to the host is incorrect.	The scanner's data format does not match the host system requirements.	Verify that the scanner's data format matches that required by the host. Make sure that the scanner is connected to the proper host port.

TROUBLESHOOTING GUIDE

Symptoms	Possible Causes	Solution
The unit beeps at some bar codes and NOT for others of the same bar code symbology.	The bar code may have been printed incorrectly.	Check if it is a check digit/character/ or border problem.
	The scanner is not configured correctly for this type of bar code.	Check if check digits are set properly.
	The minimum symbol length setting does not work with the bar code.	Check if the correct minimum symbol length is set.
The unit scans the bar code but there is no data.	The configuration is not set correctly.	Make sure the scanner is configured for the appropriate mode.
The following four items are only relevant for a Keyboard Wedge interface.		
The unit scans but the data is not correct.	The configuration is not set correctly.	Make sure that the proper PC type AT, or PS2 is selected. Verify correct country code and data formatting are selected. Adjust inter-character delay symptom.
	The scanner and host may not be configured for the same interface parameters.	Check that the scanner and the host are configured for the same interface parameters.

TROUBLESHOOTING GUIDE

Symptoms	Possible Causes	Solution
The unit is transmitting each character twice.	The configuration is not set correctly.	Increase interscan code delay setting. Adjust whether the F0 break is transmitted. It may be necessary to try this in both settings.
Alpha characters show as lower case.	The computer is in Caps Lock mode.	Enable Caps Lock detect setting of the scanner to detect if the PC is operating in Caps Lock.
Everything works except for a couple of characters.	These characters may not be supported by that country's key look up table.	Try operating the scanner in Alt mode.
The following items are only relevant for an RS232 interface.		
The unit powers up OK and scans OK but does not communicate properly with the host.	The com port at the host is not working or not configured properly.	Check to make sure that the baud rate and parity of the scanner and the communication port match and the program is looking for "RS232" data.
	The cable is not connected to the correct com port.	Check to make sure that the cable is connected to the correct com port.
Characters are being dropped.	Inter-character delay needs to be added to the transmitted output.	Add some inter-character delay to the transmitted output by using the Configuration Guides (MLPN 00-02544 and 00-02281).

DESIGN SPECIFICATIONS

		MS1690 SERIES DESIGN SPECIFICATIONS		
OPERATIONAL				
Light Source:	LED 645 nm			
Pulse Duration:	10 µs to 8000 µs			
Maximum Output:	0.76 mW peak			
Depth of Scan Field:	MS1690	0 mm – 330 mm (0" – 13")		0.330 mm (13 mil) Bar Code
	MS1691	25 mm – 155 mm (1" – 6.25")		
Field of View:	49 mm W x 19 mm H (1.9" W x 0.8" H) at 20 mm (0.8")			
	264 mm x 106 mm (10.4" W x 4.2" H) at 280 mm (11.0")			
Minimum Bar Width:	MS1690	0.038 mm (3.5 mil) 1D, 0.254 mm (10.0 mil) 2D		
	MS1691	0.102 mm (4.0 mil) 1D, 0.127 mm (5.0 mil) Data Matrix		
Infrared Activation:	MS1690	Long	0 mm – 203 mm (4" – 8")	From Window
		Short	0 mm – 101 mm (0" – 4")	
	MS1691	Long	0 mm – 150 mm (4" - 6")	
		Short	0 mm – 101 mm (0" – 4")	
Motion Tolerance:	47 cm/sec (18"/sec) 100% UPC in stand			
Decode Capability:	Autodiscriminates All Standard 1-D, GS1 Databar, PDF417, microPDF, MaxiCode, Data Matrix, QR Code, UCC, EAN Composites, Postals, Aztec			
Image Transfer*:	BMP, TIFF, or JPEG output <i>*RS232 and USB only</i>			
System Interfaces:	PC Keyboard Wedge, RS232, RS485 [▲] , Stand Alone Keyboard, USB (Low Speed and Full Speed) [▲] <i>Applicable for IBM® Host applications.</i>			
Print Contrast:	20% Minimum Reflectance Difference			
Number Characters Read:	Up to 80 Data Characters on 1D; 1850 Text Characters for PDF417			
Beeper Operation:	7 tones or no beep			
Indicators (LED) <i>Default Settings:</i>	Blue	Unit Powered, Ready to Scan		
	White	Good Read		
	Yellow	In Stand		

Specifications are subject to change without notice.

DESIGN SPECIFICATIONS

		MS1690 SERIES DESIGN SPECIFICATIONS	
MECHANICAL			
Height:	183 mm (7.2")		
Width:	Handle	30 mm (1.2")	
	Head	79 mm (3.1")	
Depth:	111 mm (4.9")		
Weight:	225 g (8.0 oz)		
Termination:	10 pin modular RJ45		
Cable:	Standard 2.7 m (9') Coiled; Optional 2.1 m (7') Straight		
ELECTRICAL			
Input Voltage:	5.0VDC \pm 0.25V		
Power:	Peak = 2 W (Typical)		
	Operating = 1.65 W (Typical)		
	Idle / Standby = 800 mW (Typical)		
Current:	Peak = 400 mA (Typical)		
	Operation = 330 mA (Typical)		
	Idle / Standby = 160 mA (Typical)		
DC Transformer:	Class 2; 5.2VDC @ 1 A		
<i>For Regulatory Compliance information, see pages 41 - 43.</i>			
ENVIRONMENTAL			
Temperature:	Operating = 0°C to 40° (32° to 104°F)		
	Storage = -40°C to 60°C (-40°F to 140°F)		
Humidity:	0% to 95% Relative Humidity, Non-Condensing		
Light Levels:	Up to 100,000 Lux (9,290 Footcandles)		
Shock:	Designed to withstand 1.5 m (5 ft.) drops		
Contaminants:	Sealed to resist airborne particulate contaminants		
Ventilation:	None required		

Specifications are subject to change without notice.

APPLICATIONS AND PROTOCOLS

The model number on each scanner includes the scanner number and factory default communications protocol.

SCANNER	VERSION IDENTIFIER	COMMUNICATION PROTOCOL(S)
MS1690	11	RS485 [▲] , RS232-TXD, RXD, RTS, CTS
MS1690 or MS1691	14	RS232 (TX, RX, RTS, CTS, DTR)
MS1690	38	Low Speed USB
MS1690	40	Full-speed USB
MS1690 or MS1691	47	Keyboard Wedge, Stand-Alone Keyboard and RS232 Transmit/Receive
MS1690 or MS1691	106	RS485 [▲] , Full Speed USB, and RS232 Transmit/Receive

[▲] *Applicable for IBM® Host applications.*

The MS1690-47 and MS1691-47 with a built-in PC Keyboard Wedge Interface is designed for Keyboard emulation use only. Many RS232 configurable functions available in other Metrologic scanners are also available as keyboard wedge functions.

The following are the most important selectable options specific to the keyboard wedge.

Keyboard Type

- **AT (includes IBM® PS2 models 50, 55, 60, 80)
- IBM PS2 (includes models 30, 70, 8556)

Keyboard Country Type

- **USA
- Belgian
- French
- German
- Hungarian
- Italian
- Japanese
- Russian Cyrillic
- Slovenian
- Spanish
- Swiss
- Swedish/Finnish
- Turkish
- United Kingdom

** For additional information on the MS1690 series default settings refer to pages 30-33. For information on how to change the default settings, refer to help files in MetroSet2 or the MetroSelect Single-Line Configuration Guide (MLPN 00-02544).

DEFAULT SETTINGS – COMMUNICATION PARAMETERS

Many functions of the scanner can be “configured” – that is, enabled or disabled. The scanner is shipped from the factory configured to a set of default conditions. The default parameter of the scanner has an asterisk (*) in the charts on the following pages. If an asterisk is not in the default column then the default setting is OFF or DISABLED. Every interface does not support every parameter. If the interface supports a parameter listed in the charts on the following pages, a check mark (✓) will appear.

PARAMETER	DEFAULT	RS232	RS485 [▲]	KBW	USB
Multi-Try Trigger Out-of-Stand	*	✓	✓	✓	✓
Presentation Mode In-Stand	*	✓	✓	✓	✓
Continuous Trigger		✓	✓	✓	✓
Single Trigger		✓	✓	✓	✓
Aiming in Trigger and Continuous Modes	*	✓	✓	✓	✓
Aiming in Presentation Mode		✓	✓	✓	✓
Long-Range In-Stand	*	✓	✓	✓	✓
Short-Range In-Stand		✓	✓	✓	✓
Long-Range Out-of-Stand	*	✓	✓	✓	✓
Short-Range Out-of-Stand		✓	✓	✓	✓
UPC/EAN	*	✓	✓	✓	✓
Code 128	*	✓	✓	✓	✓
Code 93	*	✓	✓	✓	✓
Codabar	*	✓	✓	✓	✓
Interleaved 2 of 5 (ITF)	*	✓	✓	✓	✓
MOD 10 check on ITF		✓	✓	✓	✓
Code 11		✓	✓	✓	✓
Code 39	*	✓	✓	✓	✓
Full ASCII Code 39		✓	✓	✓	✓
PDF	*	✓	✓	✓	✓
Data Matrix		✓	✓	✓	✓
QR Code		✓	✓	✓	✓

[▲] *Applicable for IBM® Host applications.*

DEFAULT SETTINGS – COMMUNICATION PARAMETERS

PARAMETER	DEFAULT	RS232	RS485 [▲]	KBW	USB
Maxicode		✓	✓	✓	✓
Aztec		✓	✓	✓	✓
Postals		✓	✓	✓	✓
Mod 43 Check on Code 39		✓	✓	✓	✓
MSI-Plessey 10/10 Check Digit		✓	✓	✓	✓
MSI-Plessey Mod 10 Check Digit	*	✓	✓	✓	✓
Paraf Support ITF		✓	✓	✓	✓
ITF Symbol Lengths	Variable	✓	✓	✓	✓
Symbol Length Lock	None	✓	✓	✓	✓
Beeper tone	Normal	✓	✓	✓	✓
Beep/transmit sequence	Before transmit	✓	✓	✓	✓
Communication timeout	None	✓	✓	✓	✓
Razzberry tone on timeout		✓	✓	✓	✓
Three beeps on timeout		✓	✓	✓	✓
Same symbol rescan timeout: 1000 msec	*	✓	✓	✓	✓
Same symbol rescan timeout configurable in 50 msec steps (maximum of 6.35 sec.)		✓	✓	✓	✓
No Same symbol timeout		✓	✓	✓	✓
Infinite Same symbol timeout		✓	✓	✓	✓
Inter-character delay configurable in 1 msec steps (maximum of 255 msec)	1 msec 10 msec in KBW	✓	✓	✓	✓
Number of scan buffers (<i>maximum</i>)	8	✓	✓	✓	✓
Transmit UPC-A check digit	*	✓	✓	✓	✓
Transmit UPC-E check digit		✓	✓	✓	✓
Expand UPC-E		✓	✓	✓	✓
Convert UPC-A to EAN-13		✓	✓	✓	✓

▲ *Applicable for IBM® Host applications.*

DEFAULT SETTINGS – COMMUNICATION PARAMETERS

PARAMETER	DEFAULT	RS232	RS485 [▲]	KBW	USB
Transmit lead zero on UPC-E		✓	✓	✓	✓
Transmit UPC-A number system	*	✓	✓	✓	✓
Transmit UPC-A Manufacturer ID#	*	✓	✓	✓	✓
Transmit UPC-A Item ID#	*	✓	✓	✓	✓
Transmit Codabar Start/Stop Characters		✓	✓	✓	✓
CLSI Editing (Enable)		✓	✓	✓	✓
Transmit Mod 43 Check digit on Code 39		✓	✓	✓	✓
Transmit Mod 10/ITF		✓	✓	✓	✓
Transmit MSI-Plessey		✓	✓	✓	✓
Parity	No	✓	✓		✓
Baud Rate	9600	✓			
8 Data Bits	*	✓			
7 Data Bits		✓			
Stop Bits	1	✓			
Transmit Sanyo ID Characters		✓		✓	
Nixdorf ID		✓		✓	
LRC Enabled		✓		✓	
UPC Prefix		✓		✓	
UPC Suffix		✓		✓	
Carriage Return	*	✓		✓	
Line Feed-Disabled by default in KBW	*	✓		✓	
Tab Prefix		✓		✓	
Tab Suffix		✓		✓	
“DE” Disable Command		✓			
Enable Command		✓			
DTR Handshaking support		✓			
RTS/CTS Handshaking		✓			
Character RTS/CTS	*	✓			
Message RTS/CTS		✓			

[▲] Applicable for IBM[®] Host applications.

DEFAULT SETTINGS – COMMUNICATION PARAMETERS

PARAMETER	DEFAULT	RS232	RS485 [▲]	KBW	USB
XON/XOFF Handshaking		✓			
ACK/NAK		✓			
Two Digit Supplements		✓	✓	✓	✓
Five Digit Supplements		✓	✓	✓	✓
Bookland		✓	✓	✓	✓
977 (2 digit) Supplemental Requirement		✓	✓	✓	✓
Supplements are not Required	*	✓	✓	✓	✓
Two Digit Redundancy	*	✓	✓	✓	✓
Five digit Redundancy		✓	✓	✓	✓
Coupon Code 128		✓	✓	✓	✓
† Configurable Code Lengths	7 avail	✓	✓	✓	✓
† Code Selects with configurable Code Length Locks	3 avail	✓	✓	✓	✓
Configurable Prefix characters	10 avail	✓		✓	
Suffix characters	10 avail	✓		✓	
Prefixes for Individual Code types		✓		✓	
Editing		✓	✓	✓	✓
Function/Control Key Support	*	✓	✓	✓	✓
Omnidirectional Scanning	*	✓	✓	✓	✓
Linear Only Scanning		✓	✓	✓	✓
Linear 1D / Omni 2D		✓	✓	✓	✓

† These options are mutually exclusive. One can not be used in conjunction with the other.

▲ *Applicable for IBM® Host applications.*

CONFIGURATION MODES

The MS1690 series has three modes of configuration.

- **Bar Codes**

The MS1690 series can be configured by scanning the bar codes included in the Metrologic Single-Line Configuration Guide (MLPN 00-02544). This manual can be downloaded for FREE from Metrologic's website (www.metrologic.com).

- **MetroSet2**

This user-friendly Windows-based configuration program allows you to simply 'point-and-click' at the desired scanner options. This program can be downloaded for FREE from Metrologic' website (www.metrologic.com) or set-up disks can be ordered by calling 1-800-ID-METRO.

- **Serial Configuration**

This mode of configuration is ideal for OEM applications. This mode gives the end-user the ability to send a series of commands using the serial port of the host system. The commands are equivalent to the numerical values of the bar codes located in the MetroSelect Single-Line Configuration Guide (MLPN 00-02544).

UPGRADING THE FLASH ROM FIRMWARE

The MS1690 Focus series is part of Metrologic's line of scanners with flash upgradeable firmware. The upgrade process requires a new firmware file supplied to the customer by a customer service representative♦ and Metrologic's MetroSet2 software♦♦. A personal computer running Windows 95 or greater with an available RS232 serial or USB port is also required to complete the upgrade.



PowerLink Cable #54-54014 is required when using RS232 for the upgrade process. This cable can be ordered from Metrologic at 1-800-ID-METRO. **Do not** use the standard cable supplied with keyboard wedge or RS485[▲] scanner interface kits. If using USB for the upgrade process, the standard USB Type A cable provided with the scanner can be used.

To upgrade the firmware in the MS1690 series scanner:

1. Plug the scanner into a serial communication port on the host system.
2. Start the MetroSet2 software.
3. Click on the plus sign (+) next to *POS Scanners* to expand the supported scanner list.
4. Choose the MS1690 Focus from the list.
5. Click on the *Configure Focus/1690 Scanner* button.
6. Choose *Flash Utility* from the options list located on the left side of the screen.
7. Click on the *Open File* button in the Flash Utility window.
8. Locate and open the flash upgrade file supplied by Metrologic.
9. Select the COM port that the scanner is connected to on the host system.
10. Verify the settings listed in the Flash Utility window.
11. Click on the *Flash Scanner* button to begin the flash upgrade.
12. A message will appear on the screen when the upgrade is complete.

- ♦ Metrologic's customer service department can be reached at 1-800-ID-METRO or 1-800-436-3876.
- ♦♦ MetroSet2 is available for download, at no additional cost, from <http://www.metrologic.com/corporate/download>.

[▲] Applicable for IBM[®] Host applications.

Scanner Pinout Connections

The MS1690 series scanner interfaces terminate to a 10-pin, RJ45 Female Socket. The serial number label indicates the interface enabled when the scanner is shipped from the factory.

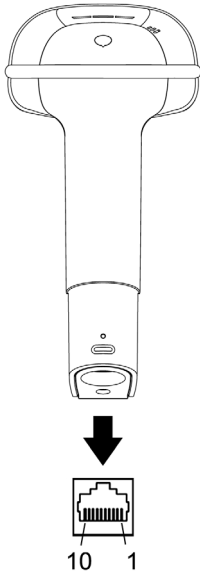


Figure 20.

MS1690-14 or MS1691-14, RS232	
Pin	Function
1	Ground
2	RS232 Transmit Output
3	RS232 Receive Input
4	RTS Output
5	CTS Input
6	DTR Input
7	Reserved
8	Reserved
9	+5VDC
10	Shield Ground

MS1690-47 or MS1691-47, Keyboard Wedge & Stand-Alone Keyboard	
Pin	Function
1	Ground
2	RS232 Transmit Output
3	RS232 Receive Input
4	PC Data
5	PC Clock
6	KB Clock
7	PC +5V
8	KB Data
9	+5VDC
10	Shield Ground

MS1690-11, RS485 [▲]	
Pin	Function
1	Ground
2	RS232 Transmit Output
3	RS232 Receive Input
4	RTS Output
5	CTS Input
6	Reserved
7	IBM B-Transmit
8	IBM A+ Receive
9	+5VDC
10	Shield Ground

[▲] Applicable for IBM[®] Host applications.

Scanner Pinout Connections

MS1690-38, Low Speed USB	
Pin	Function
1	Ground
2	RS232 Transmit Output
3	RS232 Receive Input
4	RTS Output
5	CTS Input
6	USB D+
7	V USB
8	USB D-
9	+5VDC
10	Shield Ground

MS1690-40, Full Speed USB	
Pin	Function
1	Ground
2	RS232 Transmit Output
3	RS232 Receive Input
4	RTS Output
5	CTS Input
6	USB D+
7	V USB
8	USB D-
9	+5VDC
10	Shield Ground

MS1690-106 or MS1691-106, RS485▲/Full Speed USB	
Pin	Function
1	Ground
2	RS232 Transmit Output
3	RS232 Receive Input
4	IBM A+
5	IBM B-
6	USB D+
7	V USB
8	USB D-
9	+5VDC
10	Shield Ground

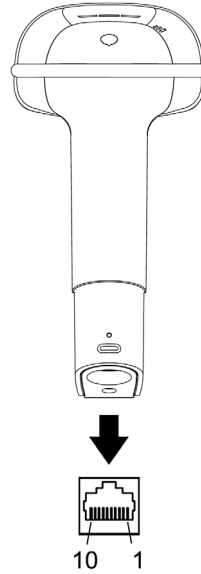
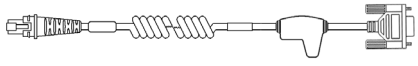
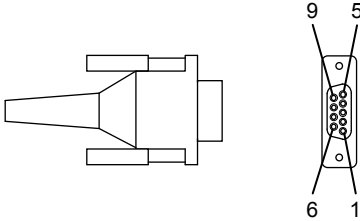


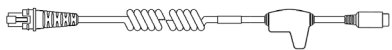
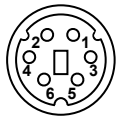
Figure 21.

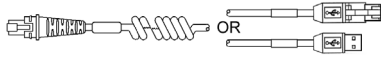
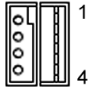
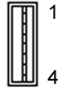
▲ Applicable for IBM® Host applications.

SCANNER AND CABLE TERMINATIONS

Cable Connector Configurations (Host End)

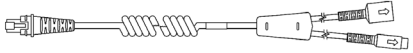

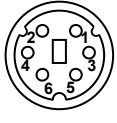
"Standard" PowerLink Cable 53-53000-3-FR <i>Coiled</i>		
Pin	Function	 <p style="text-align: center;">9-Pin D-Type Connector</p>
1	Shield Ground	
2	RS232 Transmit Output	
3	RS232 Receive Input	
4	DTR Input/Light Pen Source	
5	Power/Signal Ground	
6	Reserved	
7	CTS Input	
8	RTS Output	
9	+5VDC	

Stand Alone Keyboard PowerLink Cable 53-53020-3		
Pin	Function	 <p style="text-align: center;">6-Pin Male Mini-DIN Connector</p>
1	PC Data	
2	NC	
3	Power Ground	
4	+5VDC PC Power to KB	
5	PC Clock	
6	NC	

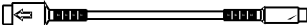
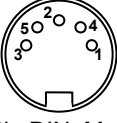
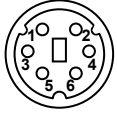
USB Power/Communication Cable 53-53213-N-3-FR, 53-53214-N-3-FR or 53-53235-N-3-FR			
Pin	Function	 <p style="text-align: center;">USB Type A Locking with Power</p>	 <p style="text-align: center;">USB Non-Locking</p>
1	PC +5V/V_USB		
2	D-		
3	D+		
4	Ground		
Shield	Shield		

SCANNER AND CABLE TERMINATIONS

Cable Connector Configurations (Host End)

Keyboard Wedge PowerLink Cable <i>53-53002-3 Coiled</i>		
Pin	Function	 <p>5-Pin DIN, Female</p>
1	Keyboard Clock	
2	Keyboard Data	
3	No Connect	
4	Power Ground	
5	+5 VDC	 <p>6-Pin DIN, Male</p>
Pin	Function	
1	PC Data	
2	No Connect	
3	Power Ground	
4	+5 VDC	
5	PC Clock	
6	No Connect	

Metrologic will supply an adapter cable with a 5-pin DIN male connector on one end and a 6-pin mini DIN female connector on the other. According to the termination required, connect the appropriate end of the adapter cable to the PowerLink cable, leaving the necessary termination exposed for connecting to the keyboard and the keyboard port on the PC.

Keyboard Wedge Adapter Cable		
Pin	Function	 <p>5-Pin DIN, Male</p>
1	PC Clock	
2	PC Data	
3	No Connect	
4	Power Ground	
5	+5 VDC	 <p>6-pin Mini DIN, Female</p>
Pin	Function	
1	Keyboard Data	
2	No Connect	
3	Power Ground	
4	+5 VDC	
5	Keyboard Clock	
6	No Connect	

LIMITED WARRANTY

The MS1690 Focus[®] series scanners are manufactured by Metrologic at its Suzhou, China. The MS1690 series scanners have a five (5) year limited warranty from the date of manufacture. Metrologic warrants and represents that all MS1690 series scanners are free of all defects in material, workmanship and design, and have been produced and labeled in compliance with all applicable U.S. Federal, state and local laws, regulations and ordinances pertaining to their production and labeling.

This warranty is limited to repair, replacement of product or refund of product price at the sole discretion of Metrologic. Faulty equipment must be returned to one of the following Metrologic repair facilities: Blackwood, New Jersey, USA; Madrid, Spain; or Suzhou, China. To do this, contact the appropriate Metrologic Customer Service/Repair Department to obtain a Returned Material Authorization (RMA) number.

In the event that it is determined the equipment failure is covered under this warranty, Metrologic shall, at its sole option, repair the Product or replace the Product with a functionally equivalent unit and return such repaired or replaced Product without charge for service or return freight, whether distributor, dealer/reseller, or retail consumer, or refund an amount equal to the original purchase price.

This limited warranty does not extend to any Product which, in the sole judgment of Metrologic, has been subjected to abuse, misuse, neglect, improper installation, or accident, nor any damage due to use or misuse produced from integration of the Product into any mechanical, electrical or computer system. The warranty is void if: (i) the case of Product is opened by anyone other than Metrologic's repair department or authorized repair centers; or (ii) any software is installed on the Product other than a software program approved by Metrologic.

THIS LIMITED WARRANTY, EXCEPT AS TO TITLE, IS IN LIEU OF ALL OTHER WARRANTIES OR GUARANTEES, EITHER EXPRESS OR IMPLIED, AND SPECIFICALLY EXCLUDES, WITHOUT LIMITATION, WARRANTIES OF MERCHANTABILITY AND FITNESS FOR A PARTICULAR PURPOSE UNDER THE UNIFORM COMMERCIAL CODE, OR ARISING OUT OF CUSTOM OR CONDUCT. THE RIGHTS AND REMEDIES PROVIDED HEREIN ARE EXCLUSIVE AND IN LIEU OF ANY OTHER RIGHTS OR REMEDIES. IN NO EVENT SHALL METROLOGIC BE LIABLE FOR ANY INDIRECT OR CONSEQUENTIAL DAMAGES, INCIDENTAL DAMAGES, DAMAGES TO PERSON OR PROPERTY, OR EFFECT ON BUSINESS OR PROPERTY, OR OTHER DAMAGES OR EXPENSES DUE DIRECTLY OR INDIRECTLY TO THE PRODUCT, EXCEPT AS STATED IN THIS WARRANTY. IN NO EVENT SHALL ANY LIABILITY OF METROLOGIC EXCEED THE ACTUAL AMOUNT PAID TO METROLOGIC FOR THE PRODUCT. METROLOGIC RESERVES THE RIGHT TO MAKE ANY CHANGES TO THE PRODUCT DESCRIBED HEREIN.

CORPORATE HEADQUARTERS, NORTH AMERICA

Metrologic Instruments, Inc.
90 Coles Rd.
Blackwood, NJ 08012-4683
Customer Service Department
Tel: 1-800-ID-METRO
Fax: 856-228-6673
Email: info@metrologic.com

METROLOGIC EUROPEAN REPAIR CENTER (MERC)

Metrologic Eria Ibérica, SL
C/Alfonso Gomez, 38-40, 1D
28037 Madrid
Tel: +34 913 751 249
Fax: +34 913 270 437

MTLG AUTO ID INSTRUMENTS (SHANGHAI) Co., LTD Suzhou Sales Office

BLK A, Room# 03/03-04
No.5 Xinghan Street, Xinsu Industrial Square
China-Singapore Suahou Industrial Park, Suzhou, PRC
Tel: 86-512-67622550
Fax: 86-512-67622560
Email: info@cn.metrologic.com

Safety

ITE Equipment

IEC 60950-1, EN 60950-1

LED

Class 1 LED Product: IEC 60825-1:1993+A1+A2,
EN 60825-1:1994+A1+A2



Caution

Use of controls or adjustments or performance of procedures other than those specified herein may result in hazardous radiation exposure. Under no circumstances should the customer attempt to service the LED scanner. Never attempt to look at the LED beam, even if the scanner appears to be nonfunctional. Never open the scanner in an attempt to look into the device. Doing so could result in hazardous radiation exposure. The use of optical instruments with the LED equipment will increase eye hazard.

Atención

La modificación de los procedimientos, o la utilización de controles o ajustes distintos de los especificados aquí, pueden provocar una exposición de luz brillante peligrosa. Bajo ninguna circunstancia el usuario deberá realizar el mantenimiento del LED (Diodo Emisor de Luz) del lector. Ni intentar mirar al haz del LED incluso cuando este no esté operativo. Tampoco deberá abrir el lector para examinar el aparato. El hacerlo puede conllevar una exposición peligrosa a la luz del LED. El uso de instrumentos ópticos con el equipo LED puede incrementar el riesgo para la vista.

Attention

L'emploi de commandes, réglages ou procédés autres que ceux décrits ici peut entraîner de graves irradiations. Le client ne doit en aucun cas essayer d'entretenir lui-même le scanner ou la LED. Ne regardez jamais directement le rayon LED, même si vous croyez que le scanner est inactif. N'ouvrez jamais le scanner pour regarder dans l'appareil. Ce faisant, vous vous exposez à un risque d'irradiation. L'emploi d'appareils optiques avec cet équipement à LED augmente le risque d'endommagement de la vision.

Achtung

Die Verwendung anderer als der hier beschriebenen Steuerungen, Einstellungen oder Verfahren kann eine gefährliche Licht emittierender Dioden strahlung hervorrufen. Der Kunde sollte unter keinen Umständen versuchen, den Licht emittierender Dioden-Scanner selbst zu warten. Sehen Sie niemals in den Licht emittierender Diodenstrahl, selbst wenn Sie glauben, daß der Scanner nicht aktiv ist. Öffnen Sie niemals den Scanner, um in das Gerät hineinzusehen. Wenn Sie dies tun, können Sie sich einer gefährlichen Licht emittierender Diodenstrahlung aussetzen. Der Einsatz optischer Geräte mit dieser Laserausüstung erhöht das Risiko einer Sehschädigung.

Attenzione

L'utilizzo di sistemi di controllo, di regolazioni o di procedimenti diversi da quelli descritti nel presente Manuale può provocare delle rischiose esposizioni radiattive. Il cliente non deve assolutamente tentare di riparare egli stesso lo scanner LED (o diodo emettitore di luce). Non guardate mai il raggio LED (d. emettitore di luce), anche se credete che lo scanner non sia attivo. Non aprite mai lo scanner per guardare dentro l'apparecchio. Facendolo potete esporVi ad una radiazione rischiosa. L'uso di apparecchi ottici, equipaggiati con raggi LED (d. emettitori di luce), aumenta il rischio di danni alla vista.

EMC

Emissions

FCC Part 15, ICES-003, CISPR 22, EN 55022

Immunity

CISPR 24, EN 55024

NOTE: Immunity performance is not guaranteed for scanner cables greater than 3 meters in length when fully extended.

Changes or modifications not expressly approved by the party responsible for compliance could void the user's authority to operate the equipment.

Class A Devices

The following is applicable when the scanner cable is greater in length than 3 meters (9.8 feet) when fully extended:

Les instructions ci-dessous s'appliquent aux cables de scanner dépassant 3 mètres (9.8 pieds) de long en extension maximale:

Folgendes trifft zu, wenn das Scannerkabel länger als 3 Meter ist:

This equipment has been tested and found to comply with limits for a Class A digital device, pursuant to part 15 of the FCC Rules. These limits are designed to provide reasonable protection against harmful interference when the equipment is operated in a commercial environment. This equipment generates, uses and can radiate radio frequency energy and, if not installed and used in accordance with the instruction manual, may cause harmful interference to radio communications. Operation of this equipment in a residential area is likely to cause harmful interference, in which case the user will be required to correct the interference at their own expense. Any unauthorized changes or modifications to this equipment could void the user's authority to operate this device.

This device complies with part 15 of the FCC Rules. Operation is subject to the following two conditions: (1) This device may not cause harmful interference, and (2) this device must accept any interference received, including interference that may cause undesired operation.

Notice

This Class A digital apparatus complies with Canadian ICES-003.

Remarque

Cet appareil numérique de classe A est conforme à la norme canadienne NMB-003.

European Standard

Warning

This is a class A product. In a domestic environment this product may cause radio interference in which case the user may be required to take adequate measures.

Funkstöreigenschaften nach EN55022:1998

Warnung!

Dies ist eine Einrichtung der Klasse A. Diese Einrichtung kann im Wohnbereich Funkstörungen verursachen. In diesem Fall kann vom Betreiber verlangt werden, angemessene Massnahmen durchzuführen.

EMC

Changes or modifications not expressly approved by the party responsible for compliance could void the user's authority to operate the equipment.

Standard Europeo

Attenzione

Questo e' un prodotto di classe A. Se usato in vicinanza di residenze private potrebbe causare interferenze radio che potrebbero richiedere all'utilizzatore opportune misure.

Attention

Ce produit est de classe "A". Dans un environnement domestique, ce produit peut être la cause d'interférences radio. Dans ce cas l'utiliseteur peut être amené à prendre les mesures adéquates.

Class B Devices

The following is applicable when the scanner cable is less than 3 meters (9.8 feet) in length when fully extended:

Les instructions ci-dessous s'appliquent aux cables de scanner ne dépassant pas 3 mètres (9.8 pieds) de long en extension maximale:

Folgendes trifft zu, wenn das Scannerkabel kürzer als 3 Meter ist:

This device complies with Part 15 of the FCC Rules. Operation is subject to the following two conditions: (1) This device may not cause harmful interference, and (2) this device must accept any interference received, including interference that may cause undesired operation.

This equipment has been tested and found to comply with the limits for a Class B digital device, pursuant to Part 15 of the FCC rules. These limits are designed to provide reasonable protection against harmful interference in a residential installation. This equipment generates, uses and can radiate radio frequency energy and, if not installed and used in accordance with the instructions, may cause harmful interference to radio communications. However, there is no guarantee that interference will not occur in a particular installation. If this equipment does cause harmful interference to radio or television reception, which can be determined by turning the equipment off and on, the user is encouraged to try to correct the interference by one or more of the following measures:

- Reorient or relocate the receiving antenna
- Increase the separation between the equipment and receiver
- Connect the equipment into an outlet on a circuit different from that to which the receiver is connected
- Consult the dealer or an experienced radio/TV technician for help

Notice

This Class B digital apparatus complies with Canadian ICES-003.

Remarque

Cet appareil numérique de classe B est conforme à la norme canadienne NMB-003.

PATENTS

For patent information, please refer to www.honeywellaidc.com/patents.

INDEX

A

AC 2, 7–11, 28
Accessories 2
Adapter 2, 39
Aperture 4
Audible Indicator 17–18, 35

B

Bar Code 23–26, 27, 34
Bar Code Element 19, 20
Beep 17–18, 23–26, 27, 35
Blue LED 4, 7–11, 17–18, 35

C

Cable 3
 Keyboard Wedge 8, 38–39
 MVC 3
 PowerLink . 2, 5, 7–11, 23–26, 35,
 38–39
 RS232 7, 38–39
 RS485 10
 Stand Alone Keyboard ... 9, 38–39
 USB 11, 38–39
Caution 7–11, 41–42, 41
CE 6, 7–11
Class 41
Communication Parameters .. 30–33
Compliance 7–11, 40, 41–42, 41,
 42, 43
Configuration ... 2, 23–26, 29, 34, 35
Connector Pinouts 36–37
Converter 11
Current 28
Customer Service 2, 3, 40

D

DC 2, 28, 36–37, 38–39
Decode 27
Default Parameters 29, 30–33
 Keyboard Wedge 30–33
 RS232 30–33
 RS485 30–33
 Stand Alone Keyboard 30–33

USB 30–33

E

EMC 28, 42, 43
EMI 42, 43
Emissions 42, 43

F

Firmware 35
Flash ROM 35

H

Host 5, 7–11

I

Immunity 42, 43
Indicator
 Audible 4, 17–18, 27, 35
 Failure 4, 17–18
 Visual 4, 17–18, 27, 35
Interface 23–26, 27
 Cable 7–11, 38–39
 Keyboard Wedge. 1, 2, 8, 29, 30–
 33, 36–37
 RS232 . 1, 2, 7, 29, 30–33, 36–37
 RS485 1, 3, 10, 29, 30–33, 36–37
 Stand Alone Keyboard 1, 2, 9, 29,
 30–33, 36–37
 USB ... 1, 3, 11, 29, 30–33, 36–37
IR 1, 15, 21, 22

K

Keyboard Country Type 29
Keyboard Type 29
Keyboard Wedge 2

L

Labels 6
LED 7–11, 23–26, 27, 41–42
 Blue 7–11, 17–18
 White 7–11, 17–18
 Yellow 7–11, 17–18

INDEX

Light Levels 28
Light Source 27

M

Maintenance 6
MetroSelect 16, 29, 34
MetroSet2 35
Mode of Operation 15
MS1690 Depth of Field 19
MS1691 Depth of Field 20

N

Notices 41

P

Patent 44
PDF 19, 20
Pinouts 36–37, 38–39
Power 7–11, 28, 35
Power Supply 5, 7–11
PowerLink 4
Presentation 15
Product Safety 41–42
Protocols 29

R

Razz 17–18, 23–26
Repair 40
RMA 40
RS232 2

S

Safety 41
SELV 7–11
Service 40
Single Trigger 15

Specifications

Electrical 28
Environmental 28
Mechanical 27
Operational 27
Stand 3, 12–14, 15
Stand Alone Keyboard 2
Swiftdecoder® 1

T

Tone 17–18
 Alternate 16
Transformer 2, 7–11, 28
Trigger 4
Troubleshooting 23–26

U

UL 6, 7–11
Upgrade 35
USB
 Full Speed ... 1, 3, 11, 29, 30–33,
 37, 38
 Low Speed ... 1, 3, 11, 29, 30–33,
 37, 38

V

Ventilation 28
Visual Indicator 17–18, 35
Voltage 28

W

Warranty 40
White LED 4, 7–11, 17–18, 35
Window 4, 6

Y

Yellow LED 4, 7–11, 17–18

WORLDWIDE HEADQUARTERS

Metrologic Instruments, Inc.

90 Coles Rd. Blackwood, NJ 08012-4683 • Email: info@metrologic.com

CUSTOMER SERVICE TEL: 1-800-ID-METRO • Corporate Tel: 856-228-8100

Fax: 856-228-6673 (Sales) • 856-228-1879 (Marketing) • Fax: 856-228-0653 (Legal/Finance)

METROLOGIC - THE AMERICAS

USA

Metrologic USA - Headquarters

Tel: 1.856.537.6400

Fax: 1.856.537.6474

Email: info@us.metrologic.com

Mexico

Metrologic Mexico, S.A. DE C.V.

Tel: 55.5365.6247

Fax: 55.5362.2544

Email: info@mx.metrologic.com

South America

Metrologic do Brasil Ltda.

Tel: 52.55.11.5182.7273

Fax: 52.55.11.5182.7198

Email: info@sa.metrologic.com

South America

Metrologic South America

Tel: 1.239.642.1958

Fax: 1.239.642.1959

Email: info@sa.metrologic.com

OMNIPLANAR

USA

Tel: 856.374.5550

Fax: 856.374.5576

Email: info@omniplanar.com

NOVODISPLAY

USA

Tel: 856.537.6139

Fax: 856.537.6116

Email: info@NOVODisplay.com

METROLOGIC - EMEA

Central Europe

Metrologic Instruments GmbH Headquarters

Tel: 49-89-89019-0

Fax: 49-89-89019-200

Email: info@de.metrologic.com

France

Metrologic Eria France SA

Tel: +33 (0) 1 48.63.78.78

Fax: +33 (0) 1 48.63.24.94

Email: info@fr.metrologic.com

METROLOGIC - EMEA

Spain

Metrologic Eria Iberica, SL

Tel: +34 913 272 400

Fax: +34 913 273 829

Email: info@es.metrologic.com

Russia

Metrologic Instruments LLC

Tel: +7 (495) 737 7273

Fax: +7 (495) 737 7271

Email: info@ru.metrologic.com

Italy

Metrologic Instruments Italia

Tel: +39 0 57 6511978 or

+39 051 651 1978

Fax: +39 0 51 6521337

Email: info@it.metrologic.com

Poland

Metrologic Instruments Poland

Tel: +48 (22) 545 04 30

Fax: +48 (22) 545 04 31

Email: info@pl.metrologic.com

United Kingdom

Metrologic Instruments UK Limited

Tel: +44 (0) 1256 365900

Fax: +44 (0) 1256 365955

Email: info@uk.metrologic.com

METROLOGIC - APAC

Asia

Metrologic Asia (Pte) Ltd Headquarters

Tel : (65) 6842-7155

Fax : (65) 6842-7166

Email: info@sg.metrologic.com

China

Suzhou Sales Office Headquarters

Tel: 86-512-67622550

Fax: 86-512-67622560

Email: info@cn.metrologic.com

China

Beijing Sales Office

Tel/Fax: 86 10 82253472

Email: info@cn.metrologic.com

METROLOGIC - APAC

China

Chengdu Sales Office

Tel/Fax: 86 28 86200109

Email: info@cn.metrologic.com

China

Guangzhou Sales Office

Tel: 86-20-38823476

Fax: 86-20-38823477

Email: info@cn.metrologic.com

India

India Sales Office

Tel: +91 80 41256718

Fax: +91 80 41256719

Email: info@in.metrologic.com

Korea

Korea Sales Office

Tel: 82-2-6205-5379

Fax: 82-2-3444-3980

Email:

Scott.lee@kr.metrologic.com

Japan

Metrologic Japan Co., Ltd.

Tel: 81-3-3839-8511

Fax: 81-3-3839-8519

Email: info@jp.metrologic.com

Thailand

Metrologic Thailand

Tel: +662-610-3787

Fax: +662-610-3601

Email:

tawan.jandang@th.metrologic.com

China

Shanghai

Tel: 86-21-58356616

Fax: 86-21-58358873

Email: info@cn.metrologic.com

Australia

Metrologic Australia

Tel: 61 2 9652 2726

(international)

Tel: 02 9816 6470 (local)

Tel: 1 800 99 88 38 (Australia)

Email:

kmason@au.metrologic.com

NOTES

NOTES

NOTES

July 2008



00 - 02098G