

MEDION®

MD 80137

DIGITAL DVD RECORDER AND PLAYER

Quick Start Guide

This Quick Start Guide is meant to get you up and running with your new DVD recorder as quickly as possible. Please see the User's Manual for important safety information as well as detailed instructions for the use and care of your recorder.

1. GET CONNECTED !

The following pages demonstrate some common set up scenarios. Before you begin, please read the following quick tips:



Most cables and AV connectors on your equipment follow a standard color code. Observing this color code can be very helpful when connecting your AV equipment.



We have provided many different options for audio and video connections so that you choose the best for your needs. However, you only need one video connection and one audio connection between your DVD recorder and your TV.



If your antenna/CATV connection is attached to your DVD recorder, and your DVD recorder is attached to your TV with another antenna cable, you will be able to watch TV without turning on your DVD recorder.



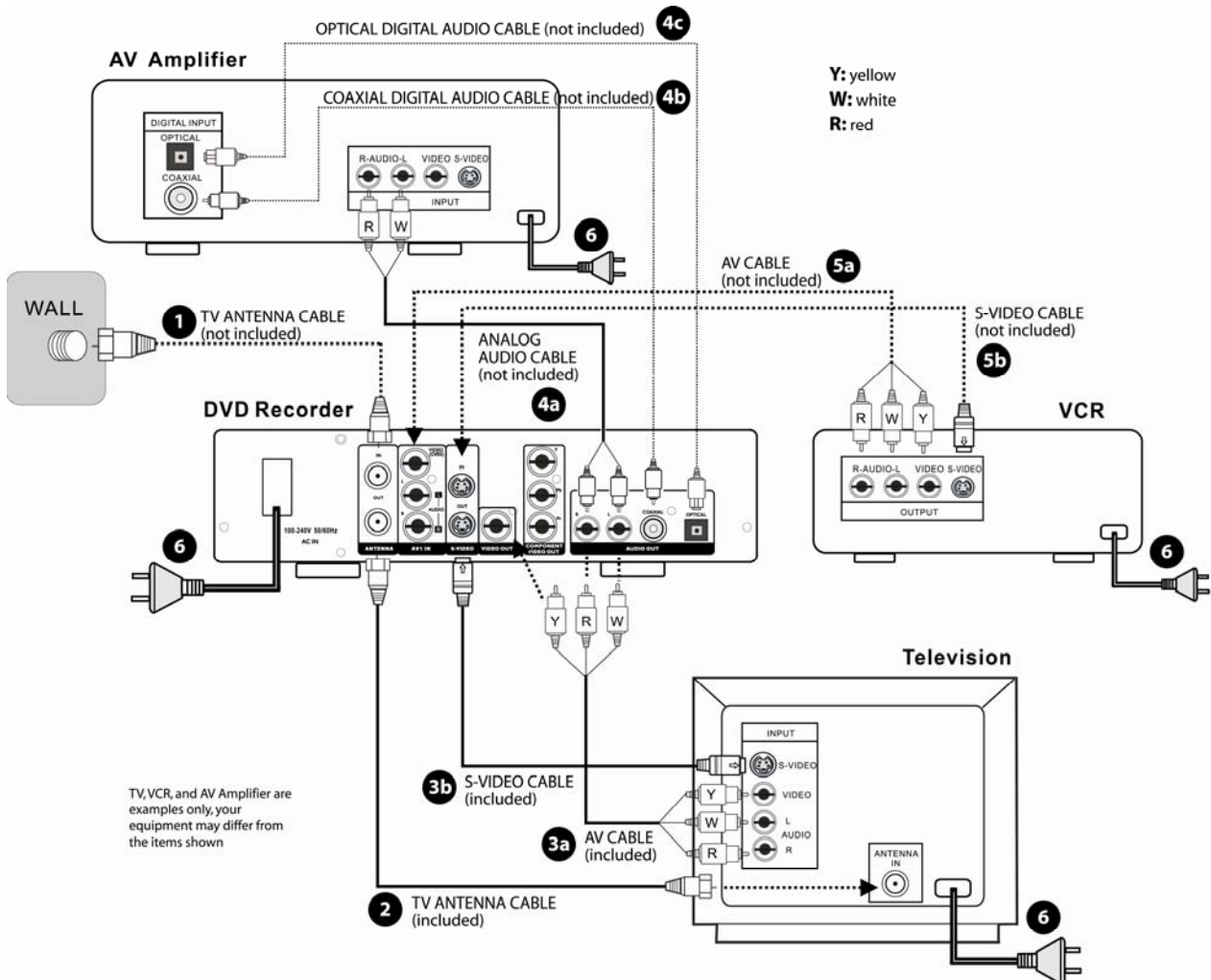
Attaching your DVD recorder to a VCR and then attaching the VCR to the TV will produce very poor quality video and recordings. The DVD recorder should be attached directly to the TV.



Please unplug all devices from the power outlet before making or changing connections.



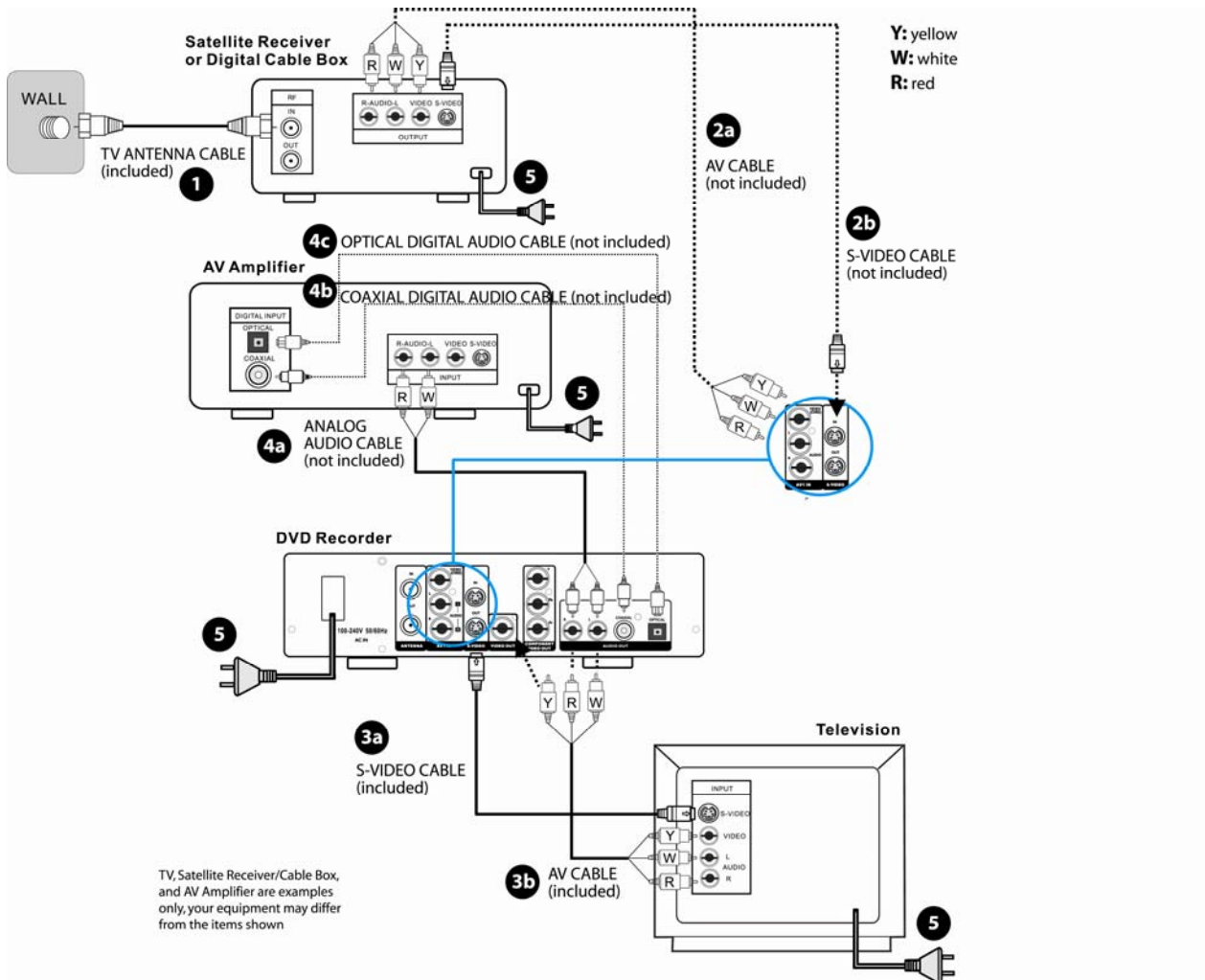
TV + Antenna or Cable without a Cable Box



1. Connect a TV antenna cable from your wall outlet to ANTENNA IN on the DVD recorder.
2. Connect another TV antenna cable from ANTENNA OUT on the recorder to ANTENNA IN on your TV.
- 3a. Connect red, white, and yellow AV cable to your TV, and to VIDEO OUT, AUDIO OUT R, and AUDIO OUT L on the back of your recorder.
- 3b. For higher quality video, connect S-video cable to your TV's S-video in and the recorder's S-video out. You will need to make a separate audio connection. To hear sound from your TV, make an audio connection by following the instructions for step 3a without the yellow video cable. To hear sound from speakers connected to an amplifier or receiver, follow the instructions for 4a, 4b, or 4c.
- 4a. For stereo sound through an amplifier, connect red and white audio cables from AUDIO OUT R and AUDIO OUT L on the back of your recorder to audio in on your amplifier.
- 4b. For digital surround sound, you can connect a coaxial digital audio cable between the recorder and your amplifier, or
- 4c. Connect an optical digital audio cable between the recorder and your receiver.
- 5a. To connect a VCR, use another AV cable to connect to the AV1 IN connections on your recorder, or
- 5b. Connect S-video out on the VCR to S-video in on the recorder, using the audio connections from 5a.
6. Connect all power cords.

B

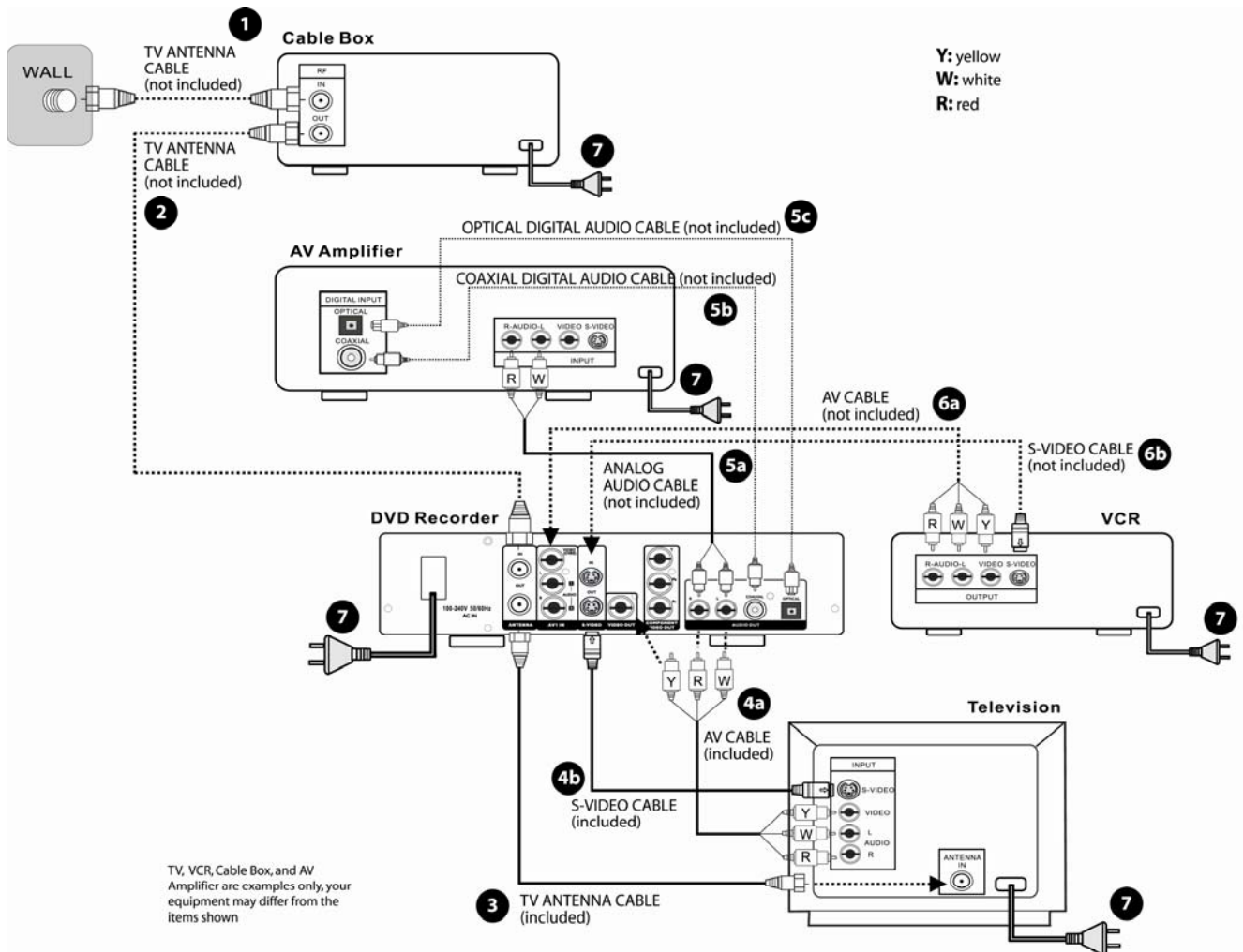
TV + Satellite Receiver or Digital Cable Box



1. Connect a TV antenna cable from your wall outlet to ANTENNA IN on the DVD recorder.
- 2a. Connect red, white, and yellow AV cable from your cable box to the AV1 IN connections on your recorder, or
- 2b. For higher quality video, connect S-video cable from your cable box to S-video in on your recorder, using the audio connections from 2a to carry sound.
- 3a. Connect red, white, and yellow AV cable to your TV, and to VIDEO OUT, AUDIO OUT R, and AUDIO OUT L on the back of your recorder.
- 3b. For higher quality video, connect S-video cable to your TV's S-video in and the recorder's S-video out. You will need to make a separate audio connection. To hear sound from your TV, make an audio connection by following the instructions for 3a without the yellow video cable. To hear sound from speakers connected to an amplifier or receiver, follow the instructions for 4a, 4b, or 4c.
- 4a. For stereo sound through an amplifier, connect red and white audio cables from AUDIO OUT R and AUDIO OUT L on the back of the recorder to audio in on your amplifier.
- 4b. For digital surround sound, you can connect a coaxial digital audio cable between the recorder and your amplifier, or
- 4c. Connect an optical digital audio cable between the recorder and your receiver.
5. Connect all power cords.



TV + Analog Cable Box

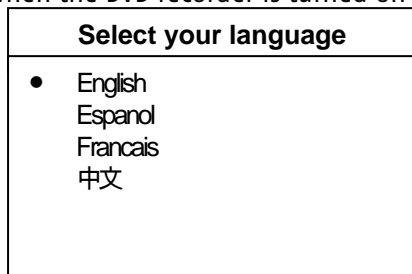


1. Connect a TV antenna cable from your wall outlet to your cable box.
2. Connect another TV antenna cable from ANTENNA OUT on the cable box to ANTENNA IN on your recorder.
3. Connect one more TV antenna cable from ANTENNA OUT on the recorder to ANTENNA IN on your TV.
- 4a. Connect red, white, and yellow AV cable to your TV, and to VIDEO OUT, AUDIO OUT R, and AUDIO OUT L on the back of your recorder.
- 4b. For higher quality video, connect S-video cable to your TV's S-video in and the recorder's S-video out. You will need to make a separate audio connection. To hear sound from your TV, make an audio connection by following the instructions for 4a without the yellow video cable. To hear sound from speakers connected to an amplifier or receiver, follow the instructions for 5a, 5b, or 5c.
- 5a. For stereo sound through an amplifier, connect red and white audio cables from AUDIO OUT R and AUDIO OUT L on the back of the recorder to audio in on your amplifier.
- 5b. For digital surround sound, you can connect a coaxial digital audio cable between the recorder and your amplifier, or
- 5c. Connect an optical digital audio cable between the recorder and your receiver.
- 6a. To connect a VCR, use another AV cable to connect to the AV1 IN connections on your recorder, or
- 6b. Connect S-video out on the VCR to S-video in on the recorder, using the audio connections from 5a.
7. Connect all power cords.

Primary Settings

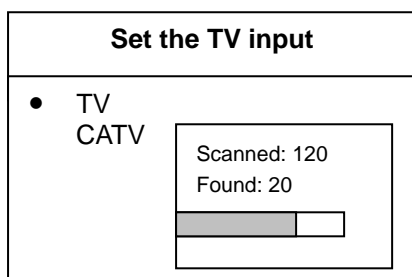
This DVD recorder can be set easily by using the ▲▼◀▶ buttons. To make selections, move the cursor to the desired item with the navigation buttons and then press **ENTER** to confirm.

1. When the DVD recorder is turned on for the first time, the TV screen shows the following message:



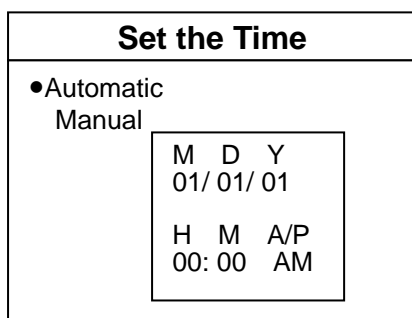
Press the ▲▼ direction keys to choose the menu language, and then press **ENTER** to confirm.

2. Selection of input signal:



Select CATV if the recorder is connected to an analog cable TV signal; otherwise select TV if it is connected to an antenna. Press ▲▼ keys to select the signal input source. Then press **ENTER** to confirm. The DVD recorder auto-searches the selected signal type to find channels.

3. Time and date:



Use the ◀▶ direction keys to move the cursor. Use the ▲▼ direction keys to change to the correct numbers. When you are finished setting the time and date, highlight the green arrow and press **ENTER** to confirm.

4. Press **ENTER** to exit setup.

NTSC/PAL & Progressive Scan

The NTSC/PAL button cycles between normal NTSC, NTSC progressive scan, and PAL viewing modes.

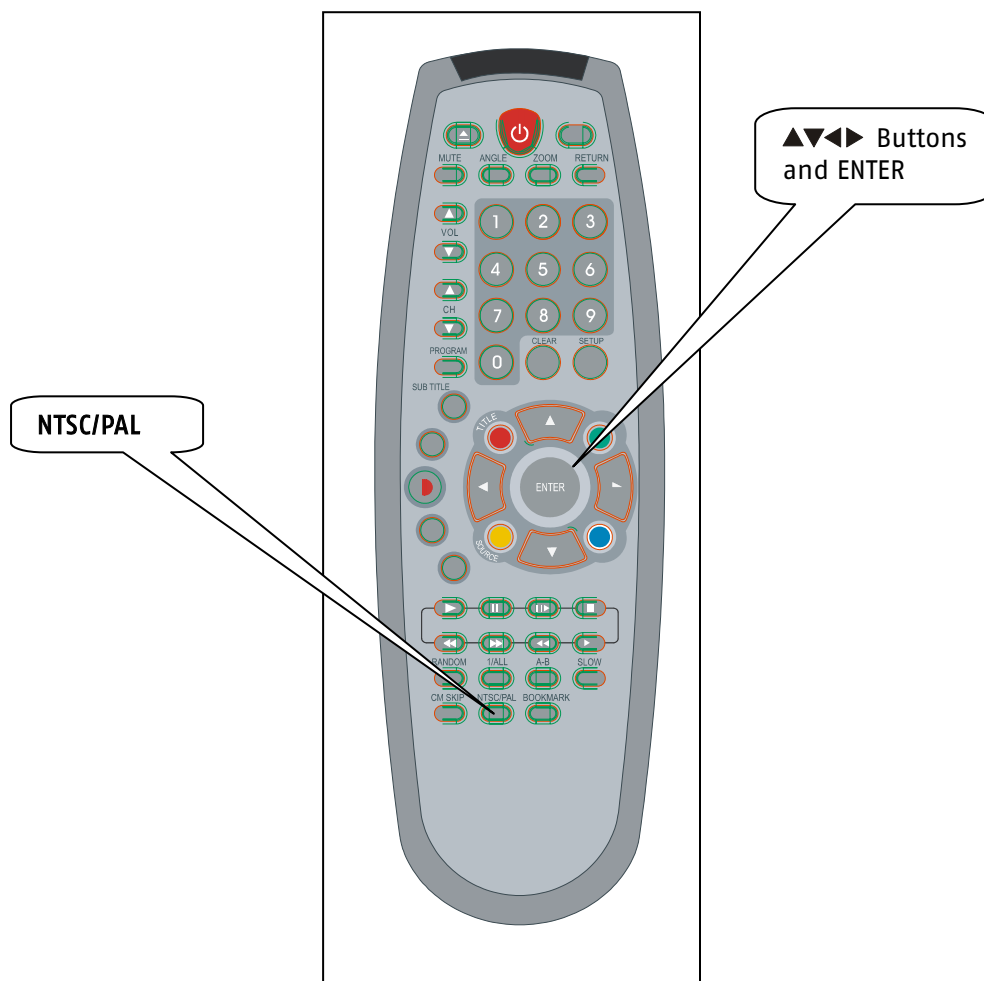
NTSC is the normal format for Northern American TV broadcasts.

NTSC Progressive Scan can be used with a component connection to a TV that supports progressive scan to watch DVD movies at a higher resolution.

PAL is the color format for Europe and other areas. If you select PAL, North American movies and television programs will appear incorrectly on your screen.



If you accidentally put the DVD recorder into PAL viewing mode, you will receive a very bad image on your TV. If you are having trouble displaying video properly, one of the first things to check is whether pressing the NTSC/PAL button fixes the error.



Preparing Discs for Recording

Compatible Discs

- **Recordable Disc Types**
DVD+R/+RW
- **Playable Disc and Media Types**
DVD video, VCD, SVCD, Audio CD, MP3, and Photo CD

We cannot guarantee that your recorded discs will play on another DVD player. Please check the manual for the other DVD player to make sure that it can play DVD+R and DVD+RW discs.

Although your DVD recorder can play DVD-R, music CDs, and MP3s, you can not use it to record video—whether a TV broadcast or a home movie – to DVD+R or DVD+RW.

Disc Types

DVD+RW discs can be erased and copied over again, although this may reduce the quality of your recording. DVD+R discs cannot be copied over, and you cannot add new data to a DVD+R disc once it has been finalized.

You may not be able to record to a DVD+RW disc that already contains recordings from another DVD recorder or PC. If you are able to add a new recording to a disc from another DVD recorder, your recorder will rewrite the DVD menu. If the disc contains data from a personal computer, this data will be erased by your DVD recorder.

Initialize a New Disc

Your DVD recorder will automatically initialize a new DVD+R or DVD+RW disc the first time it is placed into the recorder. This takes about 1 minute, during which the TV screen shows **READING**. After the procedure is complete, the TV screen shows a blank title and indicates the recording capacity is 100%.

Recording TV

1. Place an initialized DVD+R or DVD+RW disc in the DVD recorder.
2. Press **MONITOR** on the remote to switch from DVD mode to external input mode.
3. Select the channel you want to record, or
4. Press **SOURCE** to select the input source you want to record. Press **SOURCE** multiple times to cycle through the options:
CVBS1 ➔ CVBS2 ➔ SVIDEO01 ➔ SVIDEO02 ➔ Channel
5. Press **RECORD** key on remote control or front panel to start recording.
6. Press **STOP** to stop recording. Please wait while the screen displays "WAIT". After 15 to 17 seconds, the recording action is completed.
7. Press **MONITOR** to switch to DVD mode. The recorded title will appear on the screen. Press **ENTER** to view your recorded video.

Recording from Other Devices

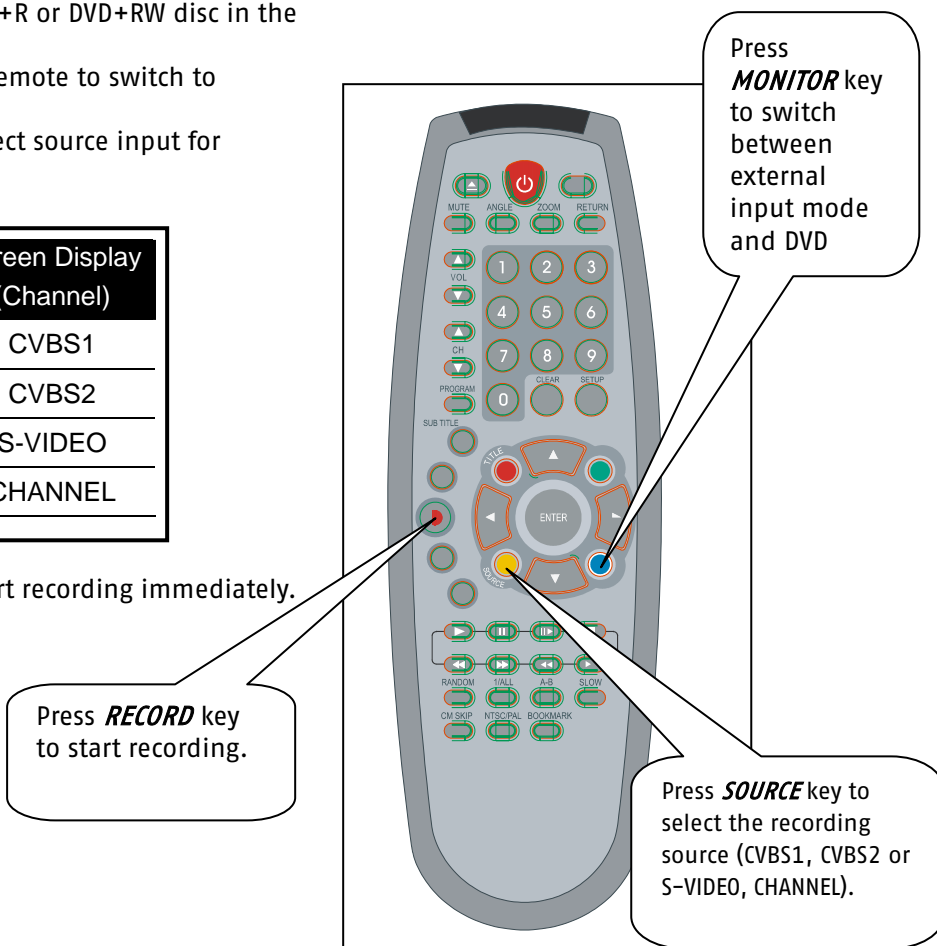
Recording from a VCR or DVD Player

You can record the signal from external devices, such as VCR, video camcorder, or DVD player onto DVDs using your DVD recorder.

1. Please confirm the external device is properly connected to the DVD recorder.
2. Place an initialized DVD+R or DVD+RW disc in the DVD recorder.
3. Press **MONITOR** on the remote to switch to external input mode.
4. Press **SOURCE** key to select source input for recording.

Input (Internal tuner)	Screen Display (Channel)
AV 1 IN	CVBS1
AV 2 IN	CVBS2
S-VIDEO	S-VIDEO
ANTENNA	CHANNEL

5. Press **RECORD** key to start recording immediately.



Finalize a DVD +R

This function allows a DVD+R disc to be played on general DVD players. A finalized disc cannot be recorded with new or revised content.

1. Press **SETUP** to enter the setup menu and select "Disc".
2. Select "Finalize DVD" and press **ENTER** to execute.
3. The screen displays status of the finalization and the remaining time required.

The time required for this function depends on the disc type, length of the recorded content and the quantity of the titles.