

READ AND SAVE THESE INSTRUCTIONS

WARNING: A risk of fire and electrical shock exists in all electrical appliances and may cause personal injury or death. Please follow all safety instructions.

Electric Cordless Crepe Maker

**USE AND CARE GUIDE FOR
MODEL CM5C**



MAXIM
great ideas for good times™

IMPORTANT SAFEGUARDS

When using electrical appliances, basic safety precautions should always be followed to reduce the risk of fire, electric shock and injury to persons, including the following:

- Read all instructions before using appliance.
- Do not touch hot surfaces. Use handles or knobs.
- To protect against electric shock, do not immerse power base or body of unit in water or other liquid. Only the top cooking surface should be permitted to contact the batter. See instructions for cleaning.
- Close supervision is necessary when any appliance is used near children.
- This appliance is not for use by children.
- Unplug from outlet when not in use and before cleaning. Allow to cool before putting on or taking off parts, and before cleaning the appliance.
- Do not operate any damaged appliance. Do not operate with a damaged cord or plug, or after the appliance malfunctions or has been dropped or damaged in any manner. Contact Consumer Service for return authorization, examination, repair or adjustment.
- To avoid injuries, use attachments only if recommended by the manufacturer.
- Do not use outdoors or while standing in a damp area.
- Do not let cord hang over edge of table or counter, or touch hot surfaces.
- Do not place on or near a hot gas or electric burner, or in a heated oven.
- To disconnect, switch to OFF position, then remove plug from wall outlet.
- Do not use appliance for other than the intended use.

SAVE THESE INSTRUCTIONS

CAUTION: A short power supply cord is provided to reduce the risk of personal injury resulting from becoming entangled in or tripping over a longer cord. Extension cords are available from local hardware stores and may be used if care is exercised in their use. If an extension cord is required, special care and caution is necessary. Also the cord must be: (1) marked with an electrical rating

of 125 V and at least 10 A, 1250 W, and (2) the cord must be arranged so that it will not drape over the countertop or tabletop where it can be pulled on by children or tripped over accidentally.

POLARIZED PLUG: This appliance has a polarized plug, one blade is wider than the other. As a safety feature to reduce the risk of electrical shock, this plug is intended to fit in a polarized outlet only one way. If the plug does not fit fully in the outlet, reverse the plug. If it still does not fit, contact a qualified electrician. Do not attempt to defeat this safety feature.

ELECTRIC POWER: If the electric circuit is overloaded with other appliances, your appliance may not operate properly. It should be operated on a separate electrical circuit from other appliances.

This product is for household use only.

Notes on Crepes and Crepe Batters

Some say “crêpe” (rhymes with pep), others say “crepe” (rhymes with drape). No matter how you pronounce it, it’s a delicious “envelope” for almost any filling you can think of.

An easy, imaginative way to stretch expensive ingredients or everyday leftovers . . .

a party appetizer, main course or dessert that will make the meal memorable . . .

an “instant” late-night snack or Sunday breakfast treat, using crepes from the refrigerator or freezer . . .

an entertaining, do-it-yourself hors d’oeuvres for guests - they can “decorate” their own crepes as they please . . .

a tender, light alternative to pasta in dishes calling for lasagna, cannelloni, manicotti and even noodles . . .

a perfect way to add appeal to children’s meals, dinner for one or two and for those “what-shall-we-have nights” . . . for easier to make and serve than your family, guests or even **you** might believe!

Crepes have a long and international history. No one is sure who invented the first true crepe. Probably it evolved over centuries from a simple flour and water mixture, flattened and baked over fire to hold food, long before eating utensils (or sandwiches!) were thought of. Among the flavorful descendants, we can include

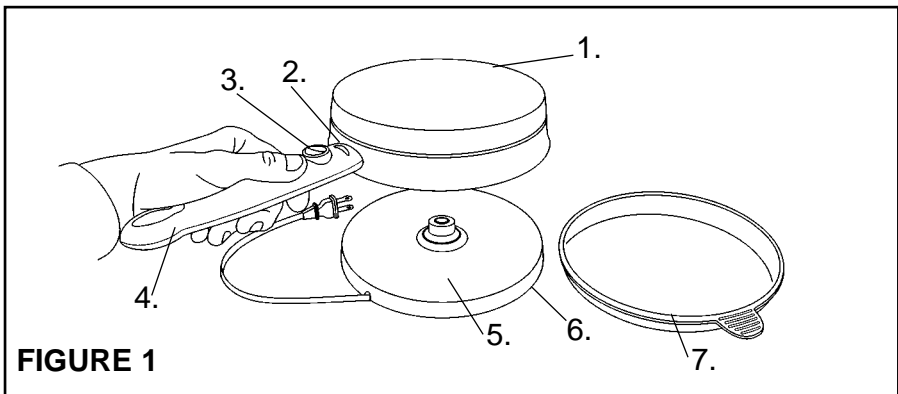
Mexican Tortillas, Russian Blinis, Jewish Blintzes, Hungarian Palascintas, Chinese Egg Rolls, Italian Manicotti and pancakes of every country. The term 'crêpes' originates from France where crepes are baked every year during the 'Chandeleur', a religion celebration of pagan origin. Brittany, a region of northern France, is famous for its crepes served with various sweet or salty fillings for the delight of tourists and locals.

There are so many versions of crepes and variations in fillings and sauces that you really can do anything you like - perhaps you'll create a new dish!

In all crepe batters, the proportions of flour, eggs and liquid can be varied to produce a thin, lacy crepe; a sturdier, thicker crepe or any egg-y rich crepe. Adding butter or margarine adds flavor and easier removal from the pan. Oil may make crepes stick slightly. Sugar adds crispness but may make crepes break in rolling.

Since dessert crepes have a sweetened filling and/or sauce, you can use a basic batter without sugar for crepes you wish to fold or roll.

Note: Product may vary slightly from illustration.



- | | |
|------------------------------|--|
| 1. Non-Stick Cooking Surface | 5. 360° Cordless Base |
| 2. Red Ready Light | 6. Cord Wrap Around Base (not pictured) |
| 3. On/Off Power Switch | 7. Dipping Tray |
| 4. Cool-Touch Handle | |

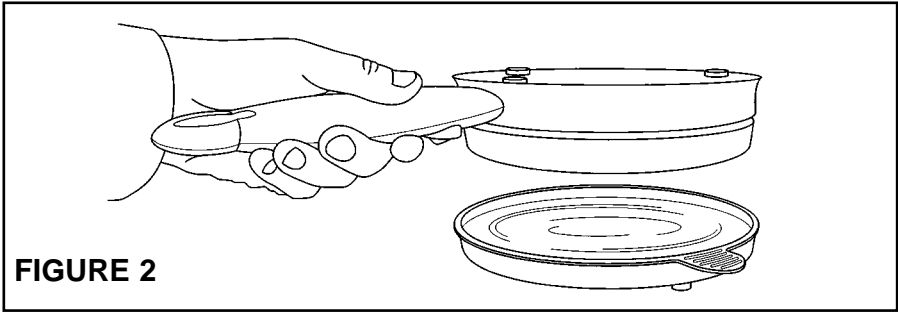


FIGURE 2

Using Your Cordless Crepe Maker

1. Before using, wipe non-stick cooking surface with a damp cloth and dry.
2. Place crepe maker on cordless base.
3. Plug into 120 V ~ 60 Hz outlet.
4. Turn the power switch to on. The red Ready Light will come on.
5. Allow the crepe maker to preheat until the red Ready Light turns off.
6. Prepare the crepe batter as per the recipe. Pour the batter into the dipping tray. Do not overfill.
7. Have a clean plate nearby to stack the finished crepes.
8. Grasping the handle of the crepe maker, turn the unit over and dip the non-stick cooking surface into the batter (as shown in FIGURE 2), swirling gently for a moment. Do not redip.
9. Turn the crepe maker to the upright position and return to the base.
10. The red Ready Light will turn on. The crepe is ready when slight browning appears at the edges of the crepe and it has almost stopped steaming – approximately one minute. During the cooking process, the ready light will cycle on and off.
11. Invert the crepe maker over the plate. If the crepe does not drop off, loosen at the edge with a plastic spatula. It is not necessary to brown the other side.

NOTE: Do not use metal utensils as they will scratch the non-stick surface of the crepe maker.

12. Continue to make crepes—repeating steps 8-11.

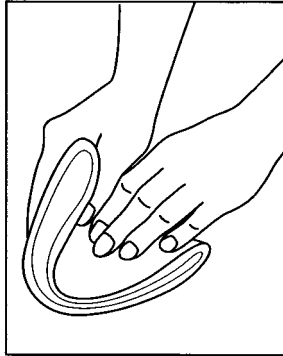
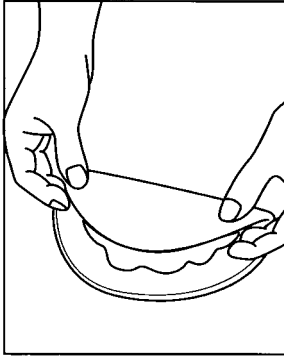
Note: Variation in ingredients or individual preferences as to crepe color will affect the cooking time.

Hints:

- Stack crepes as they are made. Keep crepes moist as they are made by covering stack with a paper towel or foil. This is not necessary for crepes that are to be filled and/or sauced and heated.
- The first crepe or two may be lacy or have holes, particularly if the batter is frothy from blender-mixing or whipping. The last crepe may not stick to the crepe maker if the batter is too shallow and the non-stick surface touches the bottom of the dish.
- If crepes stick to the non-stick surface, check the recipe—recipes using oil in place of butter or margarine or recipes including sugar can stick slightly. Wipe the non-stick surface with a bit of butter on a paper towel before the first crepe or between each dipping.
- If crepe maker is dipped and kept in the batter too long, the batter will not adhere to the non-stick surface. The dipping procedure should take only a few seconds.
- The crepe will take 45-60 seconds to cook.
- Edges of crepe may begin to “curl” when done. Center of crepe may have a “wet-like” appearance when finished.

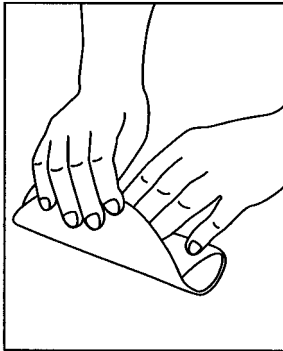
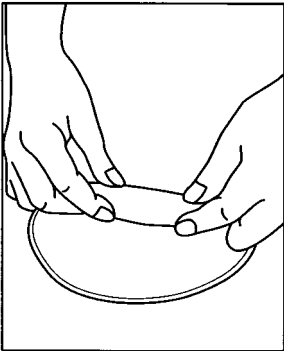
Serving

Starting with a pile of flat crepes, you can use them in a number of ways, depending on whether you want a simple sauced or a fancy filled crepe. They can be served cold, warm or hot, baked, broiled or crisp-fried in oil. Here are some ideas on handling crepes. See recipes for the ways to use various shapes.



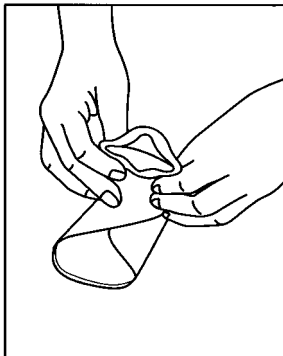
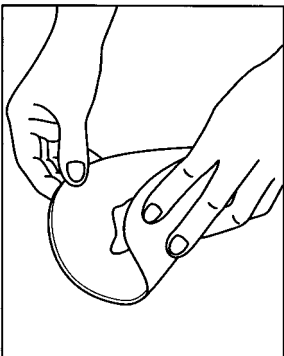
**FIGURE 3 -
“Quartering” Crepes**

Crepes are folded in quarters . . . when served plain (or spread with a thin filling) and served in sauce, or used “hot off the pan” for dipping in an appetizer dip.



**FIGURE 4 -
Rolling Crepes**

Or rolled . . . when filled with a few spoonfuls of an entree or dessert mixture and quickly baked or broiled, or filled with cold mousse, ice cream or whipped cream.



**FIGURE 5 -
Folding Crepes**

Or folded . . . into an envelope for small appetizers, ravioli-like entrees, crisp-fried treats of all kinds.

Or stacked . . . to make a cake (gâteau) or in a casserole dish, with appropriate fillings and toppings, served hot or cold.

Keeping Crepes Warm

If you want to serve crepes warm without baking, broiling or frying them, simply cover the stack of crepes as they are made with a foil cover. Or set a rack or perforated screen (such as a wire mesh spatter shield) over a skillet with an inch of simmering water in it.

Freeze or Refrigerate

Crepes will keep up to a month in the freezer or a week in the refrigerator. Simply stack a batch on a sheet of foil or waxed paper, insert into a large plastic food storage bag, seal and fasten opening, pressing out as much air as possible. To use, allow crepes to warm up to room temperature. They will “peel” apart with just a gentle pull. If you’re in a hurry, the stack can be warmed covered with foil on a flat pan in a low oven.

Care and Cleaning

NOTE: DO NOT IMMERSE ANY PART OF THE CREPE MAKER IN WATER OR OTHER LIQUID.

1. Before cleaning, turn the power switch to off and remove plug from outlet.
2. Allow crepe maker to cool slightly. The unit is easier to clean when slightly warm.
3. Wipe the non-stick surface with a soft cloth. If baked on batter does not remove, brush with a little oil or melted butter. Allow to stand for 5 minutes, then wipe with a damp cloth. The other parts can be wiped with a soft damp cloth.
4. Always clean after each use to prevent a build-up of baked on batter.

NOTE: Do not use abrasives on the non-stick cooking surface.

Any servicing requiring disassembly other than the above cleaning must be performed by an authorized service center.

Recipes

We suggest you start with the batter recipes given here - they all “dip, cook and release” well on your crepe maker. They fold or roll well and keep for weeks in the freezer and days in the refrigerator.

Batter can be used immediately. However, an hour or two standing will produce slightly more tender crepes. Or, refrigerate batter up to three days for use as needed.

Basic Batter

1 cup all-purpose flour

2 eggs

½ cup milk

½ cup water

¼ tsp salt

2 TBL butter or margarine, melted

Place ingredients in blender in order given. Blend 30 seconds, stop and stir down sides. Blend 30-60 seconds until smooth. Or, mix in bowl with wire whisk or mixer, first combining flour and eggs, adding liquid gradually. Beat until smooth; add other ingredients. Makes about 16 crepes.

NOTE: Measure flour and liquid carefully, since consistency of batter is important. (It should be about the consistency of thick heavy cream). Spoon flour into measuring cup and level off with straight edge of knife or spatula.

Variations

Richer, More Egg-y Crepes

1 cup all-purpose flour, presifted
3 eggs
 $\frac{3}{4}$ cup milk
 $\frac{3}{4}$ cup water
 $\frac{1}{4}$ tsp salt
2 TBL butter or margarine, melted

Cornmeal Crepes

Delicious with any Mexican-style or any main dish fillings:

$\frac{1}{2}$ cup yellow cornmeal
 $\frac{1}{2}$ cup boiling water
3 eggs
 $\frac{1}{2}$ tsp salt
 $\frac{1}{2}$ cup all-purpose flour
2 TBL butter or margarine, melted
 $\frac{3}{4}$ cup milk

Combine cornmeal and boiling water and stir until smooth. Let cool slightly. Combine eggs, salt, flour and butter until smooth. Add milk and mix until smooth. Stir batter occasionally when dipping if cornmeal tends to settle to bottom.

Buckwheat Pancake Mix

Makes a flavorful, “wheaty” crepe for entree and fruit filling:

1 cup buckwheat pancake mix
(or $\frac{2}{3}$ cup buckwheat flour plus $\frac{1}{2}$ teaspoon salt)
1 egg
1 cup milk
3 TBL butter or margarine, melted

NOTE: Regular pancake mix can be substituted. Since mixes vary, it may be necessary to add a little more milk.

Pigs in Blankets

1 batch crepes (about 16)

Pork sausage links (pre-cooked and browned) or frankfurters cut in half

Prepared Mustard

Oil

Fold and roll crepe (brown side in) around sausage which has been topped with mustard. Heat $\frac{1}{4}$ " oil in skillet over medium heat until hot but not smoking. Fry crepes a few at a time in hot oil, first seam side down, then turn. Watch carefully as they will brown and crisp quickly. Serve hot.

Note: For smaller appetizers, cut into 1- $\frac{1}{2}$ to 2" lengths, secure with toothpicks.

Cream Cheese "et cetera"

1 batch crepes (about 16)

1 8 oz. package cream cheese

Seasonings: Sliced olives, bacon bits, anchovy filet or paste, dash of Worcestershire sauce, jam, horseradish, relish, or any other seasoning that goes well with cream cheese.

Oil

Cut chilled cream cheese into approximately 16 (1/2 oz.) slices; place one in center of each crepe (brown side up). Top with one of the seasonings. Fold crepes into tight envelope and place seam side down on a plate. Heat $\frac{1}{4}$ " oil in skillet over medium heat, until hot but not smoking. Fry crepe envelopes a few at a time, seam side down, then turn. Watch carefully as they will brown and crisp quickly. Drain on paper towel and serve hot.

Note: A fun do-it-yourself hors d'oeuvres.

Swiss-Salami

Crepes
Sliced Swiss cheese
Sliced salami (or boiled ham)

Cut cheese and salami into thin $\frac{1}{4}$ " strips (julienne) about 3 inches long or less. Arrange 4-5 strips of each down center (brown side) of each crepe. Fold and roll crepe over filling. Heat $\frac{1}{4}$ " oil in skillet over medium heat, until hot but not smoking. Fry a few at a time, first seam side down, then turn. Watch carefully as they will brown and crisp quickly. Drain on paper towel and serve hot.

Tacos

1 batch cornmeal crepes (about 16)
1 lb. ground beef
2 small onions, chopped fine
1 envelope Taco Seasoning Mix (1- $\frac{1}{4}$ oz.)
 $\frac{3}{4}$ - 1 cup water (see filling recipe on package for amount)
Taco Sauce

Optional toppings: shredded lettuce, shredded sharp cheese, chopped fresh tomatoes.

Garnish with toppings

In large skillet, brown and cook beef and onions until meat is crumbly and onions tender. Drain excess fat. Add seasoning mix, water; simmer 15-20 minutes. Spoon heaping tablespoon or two of hot filling across center of each crepe; brown side out. Roll crepes over filling and keep warm in oven. Serve topped with Taco Sauce.

Blinis

1 batch buckwheat crepes, warm (about 16)
1 4 oz. jar red caviar
 $\frac{1}{2}$ pint sour cream
3 hard boiled eggs, chopped finely
1 large onion, chopped fine

Use freshly made crepes, or warm those from freezer or refrigerator in low oven. Combine caviar and sour cream and place in serving bowl. Place eggs and onion in serving bowls. Let guests spoon a little of each onto a crepe, fold and eat from the hand.

Blintzes

- 1 batch crepes (about 16)
- 2 cups small-curd cottage cheese
- 1 egg, well beaten
- 1 TBL sugar
- 1 tsp grated lemon rind

Combine cheese, egg, sugar and rind. Place spoonful of mixture in center of each crepe, brown side up. Fold crepe sides over filling to make a tight envelope. Place seam side down on plate. Heat $\frac{1}{4}$ " oil in skillet over medium heat until hot but no smoking. Fry a few blintzes at a time, first seam side down and then turn. Watch carefully as they will brown and crisp quickly. Drain on paper towel and serve hot. If desired, top with sour cream, apple sauce, fresh fruit or confectioners' sugar.

Pork or Chicken Eggrolls

- 1 batch crepes (about 16)
- 2 cups finely diced cooked pork or chicken
- 1 lb. can meatless or chicken chow mein
- 1 TBL soy sauce
- 2 TBL oil
- Prepared mustard, hot or mild

Sauce:

- 1 TBL cornstarch
- 1 TBL water
- 1 cup chicken broth
- 1 TBL soy sauce
- 1 TBL dry Sherry
- $\frac{1}{2}$ tsp sugar
- salt and pepper to taste

In a bowl combine pork or chicken chow mein and soy sauce. Spoon heaping tablespoon or two across center of each crepe, brown side in. Fold crepes over filling and place seam side down on plate. Heat oil in skillet over medium heat until hot but not smoking. Fry crepe envelopes a few at a time, first seam side down, then turn. Watch carefully as they will brown and crisp quickly. Drain on paper towel and serve hot with mustard or Chinese sauce. Good with hot rice and a salad of shredded cucumbers and carrots.

To make sauce: In small sauce pan, combine cornstarch with water. Add remaining ingredients; simmer until thickened, stirring constantly.

Curried Chicken Crepes

1 batch crepes (about 16)
4 TBL butter or margarine
1 medium onion, chopped
1 cup finely diced celery
2 TBL all-purpose flour
½ tsp salt
¼ tsp pepper
2 tsp curry powder
1 cup chicken broth
3 cups diced cooked chicken
½ cup sour or heavy cream

Garnishes: Chutney, peanuts, shredded coconut, bacon bits

Preheat oven to 357°F. Melt butter in large skillet; add onion and celery and sauté until just tender-crisp. Stir in flour and seasonings and cook 5 minutes. Add broth and brown to simmer until thickened. Remove from heat and stir in chicken and cream. Place heaping TBL or two of mixture across center of each crepe, brown side out. Roll and place seam side down in buttered 13" x 9" baking pan. Brush or drizzle with melted butter. Bake 20-25 minutes or until hot and bubbling. Top with garnishes.

Beef Stroganoff Crepes

1 batch crepes (about 16)
¼ cup butter or margarine
½ cup minced onions
1 lb. ground beef (or 2 cups finely chopped cooked roast beef)
2 TBL all-purpose flour
2 tsp salt
¼ tsp pepper
¼ tsp paprika
1 10-½ oz. can condensed cream of mushroom soup
1 cup sour cream

Garnishes: Sour cream, chopped parsley or chives

Preheat oven to 350°F. In skillet over medium heat, melt butter until hot, add onions and fry until golden. Add meat and next four ingredients. Fry, stirring, until meat is brown. Add undiluted soup; simmer 10 minutes, stirring occasionally. Remove from heat and stir in cream. Place heaping tablespoon or two of mixture across center of each crepe, brown side out. Roll and place seam side down in buttered 13" x 9" casserole. Drizzle or brush with melted butter. Bake 15-20 minutes until hot. Serve with garnishes.

Fresh Mushroom Crepes

1 batch crepes (about 16)
1 lb. fresh mushrooms
¼ cup butter
½ tsp salt
¼ tsp pepper
½ tsp seasoned salt
2 packets of beef bouillon
4 TBL dry white wine
1 cup dairy sour cream
2 TBL minced chives

Slice mushrooms and sauté in skillet in butter about 4 minutes. Add salt, pepper, seasoned salt, bouillon and wine. Cook over medium heat several minutes. Stir in sour cream and chives. Heat, but do not boil. Spoon about 4 tablespoons mushrooms and sauce onto center of crepes, browned side out, and fold over.

Ham 'n Eggs Hollandaise

1 batch basic or buckwheat crepes
Sliced boiled ham, circles preferably
Hard-boiled eggs, sliced (or soft scrambled eggs)
Asparagus spears, fresh or frozen, cooked (optional)
Melted butter or margarine
Hollandaise Sauce (about ¼ cup per crepe)

Preheat oven to 350°F. Assemble desired number of crepes by placing slice of ham on each crepe, brown side out. Trim ham slice to fit, if necessary. Arrange 4-5 slices of eggs or heaping spoonful of scrambled eggs and 2 or 3 asparagus spears across center. Spoon on a coating of Hollandaise sauce. Roll crepe and place seam side down in buttered baking dish. Brush or drizzle with melted butter. Bake 10-15 minutes until hot. Serve with additional warm Hollandaise sauce or cheese sauce.

Crepes Florentine

10-12 crepes
1 10 oz package frozen chopped spinach
4 TBL butter or margarine
3 TBL all-purpose flour
1 cup milk
½ tsp salt
⅛ tsp nutmeg
⅛ tsp pepper
1 cup shredded or diced Swiss cheese (4-5 oz.)
1 tsp grated onion
Melted butter or margarine
Parmesan cheese, grated

Preheat oven to 375°F. Cook spinach and drain well; set aside. Melt butter in large (2 qt.) sauce pan; remove from heat and add flour, stirring until well mixed. Add milk; return to heat and stir until smooth and thickened. Add salt, nutmeg, pepper, cheese, onion and spinach. Blend well; remove from heat when cheese is melted. On each crepe place one heaping tablespoon of spinach filling, brown side of crepe out. Roll and place seam side down in buttered 9" x 9" baking pan. Brush or drizzle with melted butter, sprinkle with grated parmesan. Bake 15-20 minutes or until hot.

Variations: To spinach filling add finely diced cooked ham or before rolling, sprinkle filling with crumbled crisp bacon.

Crepes Manicotti

1 batch crepes (about 16)
1-½ cups (15 oz.) ricotta cheese
½ lb. mozzarella cheese, diced in ½ inch cubes
½ tsp salt
⅛ tsp pepper
2 eggs
¼ cup grated parmesan cheese
2 TBL butter or margarine
1 tsp oregano (optional)
1 14 oz. jar Italian-style tomato sauce

Preheat oven to 350°F. Mix all ingredients except tomato sauce. Place heaping tablespoon of mixture down center of each crepe (brown side out). Roll to cover filling and place each crepe, seam side down, in 13" x 9" casserole. Pour sauce down center of crepes. Top with additional parmesan cheese if desired. Bake at 350°F for 25-30 minutes or until hot and bubbling. Serve two or three crepes per portion.

Seafood Crepes with Shrimp Sauce

8-10 crepes

2 TBL butter or margarine

½ cup thinly sliced green onions or scallions

¾ cup thinly sliced celery

1 cup flaked Dungeness or king crabmeat (about 6 oz.)

1 cup cooked tiny shrimp (about 6 oz.)

½ cup mayonnaise

2 TBL diced pimento

1 tsp curry powder

1 tsp lemon juice

Sauce:

1 10 oz. can condensed cream of shrimp soup

1 tsp lemon juice

½ can milk or half-and-half

Preheat oven to 350°F. In small skillet, sauté onions and celery in butter until tender-crisp. Combine remaining ingredients in bowl; add celery and onion mixture. Place 1-2 heaping tablespoons of filling across center of each crepe, brown side out, and roll. Place in buttered 9" x 11" baking dish; cover with aluminum foil. Bake 15-20 minutes or until hot. Serve with hot sauce.

To make sauce: Combine ingredients in sauce pan and heat, stirring until smooth and hot.

Mexican Enchiladas

12 corn meal crepes
1 lb. ground beef
½ cup chopped green or yellow onions
10 pitted ripe olives, sliced
1 tsp salt
1 clove garlic, minced
1-2 tsp chili powder
1 cup Sharp Cheddar cheese, cubed

Sauce:

1 16 oz. can tomato puree or sauce
1 6 oz. can tomato paste
1 small onion, minced
1 tsp salt
2 tsp sugar
1 clove garlic, minced
1-2 tsp chili powder
¾ cup Sharp Cheddar Cheese, cubed

Preheat oven to 250°F. In large skillet, cook ground beef and onions until onions are soft and meat browned. Remove from heat, drain excess fat. Stir in olives, salt, garlic, chili powder and 1 cup of cheese. Place 1-2 heaping spoonfuls across center of each crepe, brown side out. Place seam side down in buttered 9" x 13" baking dish. Pour sauce down center of crepes. Bake 20-25 minutes or until hot and bubbly.

To make sauce: Combine all ingredients in sauce pan. Bring to boil and simmer for 10 minutes. Stir in remaining ¾ cup cheese. Taste for seasoning. Add extra chili powder if desired.

Turkey Hash Crepes

- 1 batch crepes (about 16)
- 2 cups diced cooked turkey
- 1 cup bread stuffing (leftover or dry mix)
- 1 cup giblet gravy
- 1 egg, slightly beaten
- Cream or milk as needed

Preheat oven to 375°F. Combine turkey, stuffing, gravy and egg. Add cream or milk to moisten, if necessary. Place heaping tablespoon or two of mixture across center of each crepe, brown side down in buttered 9" x 9" (or larger) baking pan. Bake 15-20 minutes or until hot. Serve with any extra leftover gravy or with warmed cranberry sauce.

Lasagna Casserole

- 1 batch crepes (about 16)
- 2 14 oz. jars Italian-style tomato sauce
- 1 lb. ground beef (if not used in sauce)
- 1 15 oz. container ricotta cheese
- 8-12 oz. mozzarella cheese, thinly sliced
- ½ cup grated parmesan cheese

Preheat oven to 350°F. In large skillet, brown beef (if used) until crumbly. Pour off excess fat and add to tomato sauce; bring to boil; remove from heat. In 13" x 9" baking pan, spread 1 cup sauce. Top with 5-6 crepes, overlapping as necessary. Spread with ½ of ricotta, ⅓ of cheese slices, ⅓ of grated parmesan and 1 cup sauce. Repeat. Top with remaining crepes, sauce, mozzarella and parmesan. Bake for 30 minutes or until bubbling hot. Let stand 10 minutes before serving; cut in squares.

Incredible Crepes for Kids

Peanut Butter Plus

Blend smooth or chunky peanut butter with a little softened butter or margarine until spreadable. Spread thinly on a crepe, brown side out. Then add any of the following: jam, jelly, marshmallow whip, bacon bits, sweet relish. Roll and serve cold or heat in a little butter in a skillet.

Sundae Crepes

Roll a scoop of any flavor of ice cream in a crepe and top with sundae sauce. Or for ice cream cups, brush unbrowned side of each crepe with melted butter, place snugly over bottom of muffin or custard cups (buttered side up) and bake in 375°F oven until crisp, about 10 minutes. Cool and fill with ice cream, pudding, gelatin dessert or fruit.

Bananas in Wine Sauce

8 crepes
4 medium-ripe bananas
Lemon juice
4 TBL butter
½ cup dark brown sugar
½ tsp cinnamon
¼ tsp nutmeg
⅓ cup dry red wine

Preheat oven to 375°F. Peel and cut bananas in half, lengthwise. Sprinkle and toss with a little lemon juice to keep from darkening. Combine remaining ingredients in sauce pan; bring to boil. Simmer, stirring, 10-15 minutes until syrupy. Roll half of a banana in each crepe, brown side out. Place seam side down in buttered 9" x 9" baking pan. Pour syrup over crepes. Bake 10-15 minutes until bananas are soft. Serve hot.

Sour Cream and Strawberries

1 batch crepes (about 16)
1 pint (2 cups) sour cream
3 TBL sugar
2 TBL orange liqueur (Cointreau or Grand Marnier), optional
2 cups sweetened sliced strawberries
2 TBL butter or margarine
Confectioners' sugar

Combine sour cream, sugar and orange liqueur (optional). Spread crepes with an equal amount of sour cream mixture and a few sliced berries; roll up. Arrange rolls in shallow casserole, cover and store in refrigerator until serving time. To heat, melt butter or margarine in crepes suzette pan or shallow pan. Heat crepe rolls, turning carefully to heat evenly. Add remaining strawberries; heat. Sprinkle with confectioners' sugar.

Mincemeat with Rum Sauce

8 crepes
2 cups prepared mincemeat
¼ cup butter or margarine
½ cup sugar
1 tsp grated lemon rind
¼ cup light rum
1 egg, beaten

Spread mincemeat evenly on crepes, brown side out; fold each in quarters. Melt butter in chafing dish or skillet; add sugar, rind and rum. Stir over medium heat until sugar is dissolved. Reduce heat to low. Add a few spoonfuls to beaten egg and beat until foamy. Add egg mixture to rest of syrup. Add crepes and warm over low heat.

Blueberry Crepes

1 batch crepes (about 16)
2 cups vanilla pudding, prepared
1 cup heavy cream, whipped
¼ tsp nutmeg

Sauce

½ cup sugar
1 TBL cornstarch
¼ cup water
¼ cup light corn syrup
2 tsp lemon juice
2 cups blueberries, fresh or frozen

Topping (Optional): Sour cream or additional whipped cream.

Combine filling ingredients. Place 2-3 heaping tablespoons of mixture across center of each crepe, brown side out, and roll. Place on serving plate. Top with sauce and, if desired, a spoonful of sour cream or additional whipped cream.

To make sauce: Combine sugar and cornstarch in sauce pan, mix. Stir in water, corn syrup and lemon juice until smooth. Stir in blueberries. Cook, stirring constantly, until sauce comes to a boil and is thickened. Refrigerate until cool.

Orange and Cream Cheese Palascintas

1 batch crepes (about 16)
8 oz. cream cheese, softened
¼ cup butter or margarine, softened
2 TBL sugar
1 tsp vanilla
1 tsp lemon rind, grated

Sauce

⅔ cups orange marmalade
⅓ cup orange juice
2 TBL butter or margarine
1 TBL lemon juice
1-½ tsp lemon rind, grated

With spoon, blend filling ingredients and beat until light and fluffy. Spread each crepe, brown side out, almost to edge with filling, and roll. Place in well-buttered chafing dish or skillet, seam side down. Make sauce by combining ingredients in sauce pan over medium heat. Boil gently until well combined and slightly thickened, about five minutes. Pour over crepes and heat until sizzling.

Optional: Add 1 cup well-drained mandarin oranges.

To flame: Pour ¼ cup orange-flavored liqueur over crepes and sauce. Let heat for a minute. Then light with match. Serve as flame dies down.

Variation: Substitute apricot or peach jam for marmalade, or serve with hot, spiced apple sauce instead of sauce.

Crepes Melba

8 crepes

1 10 oz. pkg. frozen raspberries

1 10 oz. pkg. frozen peaches or
4 fresh peaches, peeled and sliced

1 TBL cornstarch

1 TBL water

Vanilla ice cream (8 scoops), slightly soft

Defrost fruit. Heat raspberries in sauce pan. Drain peaches if frozen. Combine cornstarch and water; add to raspberries. Cook until thickened and clear; add peaches. Spoon ice cream onto a crepe, brown side out, fold sides of crepe over ice cream and serve immediately with hot sauce.

Gateau Mocha

1 batch crepes (about 16)

1 5-½ oz. pkg. vanilla instant pudding

1 cup heavy cream

2 TBL confectioners' sugar

2 TBL cocoa

1 TBL instant coffee powder

Prepare instant pudding as package directs; let stand until firm. Combine remaining ingredients and beat at high speed until cream is stiff; refrigerate. Place a crepe on a serving plate and spread evenly with a thin layer of pudding, using a spatula. (Do not stir pudding). Place another crepe on top and spread. Repeat until all crepes are used. Frost stack of filled crepes (top and sides) with whipped cream frosting. Chill until served. Cut in 2" wedges with sharp knife. Do not keep more than 12 hours as pudding may liquefy.

Variations: Substitute chocolate or lemon instant pudding and plain sweetened whipped cream. Top with toasted slivered almonds.

Fruit and Yogurt

Crepes

Yogurt, plain or vanilla

Fruit jam, syrup, preserves or sundae topping

For a quick dessert, dilute any kind of fruit jam or preserves slightly with water or orange juice (use syrup or topping without thinning). Heat and stir for a minute or two in a sauce pan. Place several spoonfuls of yogurt on a crepe (brown side out); roll up. Spoon hot sauce over.

Crepe Suzettes

1 batch crepes (about 16)

½ cup unsalted butter or margarine

4 TBL sugar

½ cup orange juice

1 tsp grated orange rind

¼ tsp grated lemon rind

¼ cup orange liqueur (Cointreau or Grand Marnier)

2 TBL rum or brandy

Make sauce in a chafing dish or large skillet over low heat, stirring ingredients until butter or margarine melts. Add 3 tablespoons orange liqueur. Fold crepes in quarters and arrange in sauce. Simmer 10 minutes over low heat, turning crepes and basting with sauce. Pour remaining liqueur, rum or brandy in center (do not stir). Let heat for one minute.

Quick Ways with Crepes

Ideas for “instant” entrees, desserts and party treats.

Fill crepes with heated, canned pie filling (apple, cherry, blueberry), roll and serve topped with ice cream or whipped cream.

For a delicious companion dish to any meat, fry onions and fresh mushrooms in butter, roll in crepes and keep hot in oven until served.

Moisten canned corned or roast beef hash with milk or broth until it's spreadable. Spoon onto crepes, roll and brush with melted butter. Bake until hot.

Leftover crepes make good “noodles” in soup. Just roll crepes tightly and slice crosswise. Add to soup just before serving.

Fresh fruit of any kind, combined with yogurt or sour cream makes a breakfast filling for crepes.

Crepes folded in quarters can be heated in maple syrup or honey thinned with orange juice.

Canned tuna or salmon combined with a thick white (cream) sauce can be rolled in a crepe, then baked until hot.

For extra seasoning, try sliced ripe olives, diced pimento and sliced hard boiled eggs. Add lemon juice to taste.

For appetizers at a party, let your guests make their own crepes and spread them with various dips, then fold them in quarters to eat.

RECIPE INDEX

| | | | |
|--------------------------------|----|----------------------------------|----|
| Bananas in Wine Sauce | 20 | Incredible Crepes for Kids . . . | 20 |
| Basic Batter | 9 | Peanut Butter Plus | 20 |
| Beef Stroganoff Crepes | 14 | Sundae | 20 |
| Blinis | 12 | Lasagna Casserole | 19 |
| Blintzes | 13 | Mexican Enchiladas | 18 |
| Blueberry Crepes | 22 | Mincemeat with Rum Sauce . . | 21 |
| Buckwheat Pancake Mix | 10 | Orange and Cream | |
| Cornmeal Crepes | 10 | Cheese Palascintas | 23 |
| Cream Cheese "et cetera" . . . | 11 | Pigs in Blankets | 11 |
| Crepes Suzette | 25 | Pork or Chicken Eggrolls . . . | 13 |
| Crepes Florentine | 16 | Richer, More Egg-y Crepes . . | 10 |
| Crepes Manicotti | 16 | Seafood Crepes | |
| Crepes Melba | 24 | with Shrimp Sauce | 17 |
| Curried Chicken Crepes | 14 | Sour Creme and | |
| Fresh Mushroom Crepes | 15 | Strawberries | 21 |
| Fruit and Yogurt | 25 | Swiss Salami | 12 |
| Gateau Mocha | 24 | Tacos | 12 |
| Ham 'n Eggs Hollandaise . . . | 15 | Turkey Hash Crepes | 19 |

IMPORTANT NOTICE

*If any parts are missing or defective,
DO NOT return this product.*

Please call our Customer Service Department for assistance.

800-233-9054 Monday - Friday 9:00 am - 5:00 pm CST

Thank You

LIMITED ONE YEAR WARRANTY

Warranty: This Maxim® product is warranted by Salton Inc. to be free from defects in materials or workmanship for a period of (1) year from the original purchase date. This product warranty covers only the original consumer purchaser of the product.

Warranty Coverage: This warranty is void if the product has been damaged by accident in shipment, unreasonable use, misuse, neglect, improper service, commercial use, repairs by unauthorized personnel, normal wear and tear, improper assembly, installation or maintenance abuse or other causes not arising out of defects in materials or workmanship. This warranty is effective only if the product is purchased and operated in the USA, and does not extend to any units which have been used in violation of written instructions furnished with the product or to units which have been altered or modified or to damage to products or parts thereof which have had the serial number removed, altered, defaced or rendered illegible.

Implied Warranties: ANY IMPLIED WARRANTIES WHICH THE PURCHASER MAY HAVE ARE LIMITED IN DURATION TO ONE (1) YEAR FROM THE DATE OF PURCHASE. Some states do not allow limitations on how long an implied warranty lasts, so the above limitation may not apply to you.

Warranty Performance: During the above one-year warranty period, a product with a defect will be either repaired or replaced with a reconditioned comparable model (at our option) when the product is returned to the Repair Center, or the purchase price refunded. The repaired or replacement product will be in warranty for the balance of the one-year warranty period and an additional one-month period. No charge will be made for such repair or replacement.

Service and Repair: Should the appliance malfunction, you should first call toll-free 1 (800) 233-9054 between the hours of 9:00 am and 5:00 pm Central Standard Time and ask for CONSUMER SERVICE stating that you are a consumer with a problem. Please refer to model number CM5C when you call.

In-Warranty Service (USA): For an appliance covered under the warranty period, no charge is made for service or postage. Call for return authorization (1 800 233-9054).

Out-of Warranty Service: A flat rate charge by model is made for out-of-warranty service. Include \$ 10 (U.S.) for return shipping and handling. We will notify you by mail of the amount of the charge for service and require you to pay in advance for the repair or replacement.

For Products Purchased in the USA, but Used in Canada: You may return the product insured, packaged with sufficient protection, and postage and insurance prepaid to the USA address listed below. Please note that all customs duty / brokerage fees, if any, must be paid by you and we will require you to pay the cost of customs duty / brokerage fees to us in advance of our performing any service.

Risk During Shipment: We cannot assume responsibility for loss or damage during incoming shipment. For your protection, carefully package the product for shipment and insure it with the carrier. Be sure to enclose the following items with your appliance: any accessories related to your problem, your full return address and daytime phone number, a note describing the problem you experienced, a copy of your sales receipt or other proof of purchase to determine warranty status. C.O.D. shipments cannot be accepted.

To return the appliance, ship to:

Attn:
Repair Center
Salton, Inc.
708 South Missouri Street
Macon, MO 63552
Email: Salton@Saltonusa.com

To contact us,

please write to, call, or email:

Salton, Inc.
P.O. Box 7366
Columbia, MO 65205-7366
1(800) 233-9054

Limitation of Remedies: No representative or person is authorized to assume for Salton, Inc. any other liability in connection with the sale of our products. There shall be no claims for defects or failure of performance or product failure under any theory of tort, contract or commercial law including, but not limited to negligence, gross negligence, strict liability, breach of warranty and breach of contract. Repair, replacement or refund shall be the sole remedy of the purchaser under this warranty, and **in no event shall Salton be liable for any incidental or consequential damages, losses or expenses.** Some states do not allow the exclusion or limitation of incidental or consequential damages, so the above limitation or exclusion may not apply to you.

Legal Rights: This warranty gives you specific legal rights, and you may also have other rights which vary from state to state.

For more information on Salton products:

Visit our website: www.salton-maxim.com

LIRE ET CONSERVER CES INSTRUCTIONS

PRECAUTIONS : L'utilisation d'appareils électriques présente un risque d'incendie et d'électrocution pouvant provoquer des blessures graves ou mortelles.

**GUIDE D'UTILISATION ET D'ENTRETIEN
DU MODELE CM5C**

Crêpière électrique sans fil



MAXIM
great ideas for good times™

MESURES DE SECURITE IMPORTANTES

Afin de réduire les risques d'incendie, d'électrocution et de blessures pendant l'utilisation de tout appareil électroménager, toujours observer les précautions élémentaires de sécurité, y compris les suivantes :

- Lire l'ensemble des instructions avant d'utiliser l'appareil.
- Ne pas toucher les surfaces chaudes. Utiliser les poignées ou boutons.
- Afin de se protéger des risques d'électrocution, ne pas immerger le cordon, la fiche ou l'appareil dans de l'eau ou tout autre liquide. Seule la surface de cuisson doit entrer en contact avec la pâte à crêpes. Consulter les instructions de nettoyage.
- Se montrer particulièrement vigilant lorsqu'un appareil électroménager est utilisé à proximité d'enfants.
- L'appareil ne doit pas être utilisé par des enfants.
- Débrancher l'appareil lorsqu'il n'est pas en service ainsi qu'avant de le nettoyer. Laisser refroidir avant de démonter des pièces, et avant de le nettoyer.
- Ne pas faire fonctionner un appareil endommagé. Ne pas se servir de l'appareil si le cordon ou la fiche est endommagé(e), s'il ne fonctionne pas correctement, ou s'il est tombé ou a été endommagé d'une quelconque manière. Contacter le service après-vente afin d'obtenir l'autorisation de réexpédition de l'appareil, ou afin que celui-ci soit examiné, ou face l'objet de réparations ou de réglages.
- Afin d'éviter tout risque de blessures, utiliser uniquement les accessoires recommandés par le fabricant.
- Ne pas utiliser en extérieur ou dans un environnement humide.
- Ne pas laisser le cordon pendre du bord d'une table ou d'un plan de travail, ni toucher des surfaces chaudes.
- Ne pas placer sur ou près d'un brûleur à gaz ou électrique chaud.
- Pour débrancher, placer sur la position d'arrêt 'OFF', puis débrancher de la prise murale.
- Utiliser l'appareil uniquement pour l'usage qui lui est destiné.

CONSERVER LES INSTRUCTIONS

ATTENTION : Le cordon d'alimentation fourni est court afin de réduire les risques de blessures qui pourraient survenir si une personne s'emmêlait ou trébuchait sur un cordon de longue taille. Vous pouvez utiliser des rallonges, disponibles dans les quincailleries, en prenant les précautions qui s'imposent. Si une rallonge s'avère nécessaire, veuillez faire très attention lors de son utilisation. De plus, le cordon d'alimentation doit : (1) présenter des caractéristiques nominales de 125V et d'au moins 10 A, 1250 W et (2) être disposé de façon à ne pas retomber du plan de travail ou de la table où des enfants pourraient tirer dessus et où l'on pourrait trébucher par inadvertance.

FICHE POLARISEE : Cet appareil est équipé d'une fiche polarisée, l'une des lames est plus large que l'autre. Afin de réduire les risques d'électrocution, la fiche ne peut être branchée dans une prise que dans un seul sens. Si la fiche ne peut pas être insérée à fond dans la prise, retournez-la. Si elle ne peut toujours pas être branchée, consulter un électricien qualifié. Ne pas essayer de modifier le système de sécurité.

ALIMENTATION ELECTRIQUE : Si le circuit électrique est surchargé par d'autres appareils, l'appareil peut ne pas fonctionner correctement. Dans la mesure du possible, il doit être branché sur un circuit électrique séparé de celui des autres appareils.

Ce produit est exclusivement réservé à un usage ménager.

Remarques concernant les crêpes et les pâtes à crêpes :

La crêpe, dont la prononciation du nom varie chez les anglophones, n'en reste pas moins une enveloppe délicieuse permettant d'utiliser pratiquement tout type de garniture.

Les crêpes constituent une manière facile et imaginative de faire durer les ingrédients les plus onéreux ou d'accommoder les restes de tous les jours. . . .

En apéritif pendant une soirée, en tant que plat principal ou en dessert, les crêpes agrémentent tous les repas. . . .

Utiliser les crêpes réfrigérées ou surgelées pour un encas rapide de fin de soirée, ou un petit déjeuner spécial le dimanche. . .

En hors-d'œuvre à réaliser soi-même pour des invités qui peuvent ensuite les 'décorer' en fonction de leurs préférences. . .

Les crêpes peuvent remplacer les pâtes dans les plats de lasagnes, de cannelloni, de manicotti, ou autre. . .

C'est la manière idéale d'agrémenter le repas des enfants, les dîners seul ou en couple, ou les moments où l'on se demande ce que l'on va manger le soir venu . . .les crêpes sont plus faciles à réaliser et à servir que vous, votre famille ou vos invités ne pourraient l'imaginer.

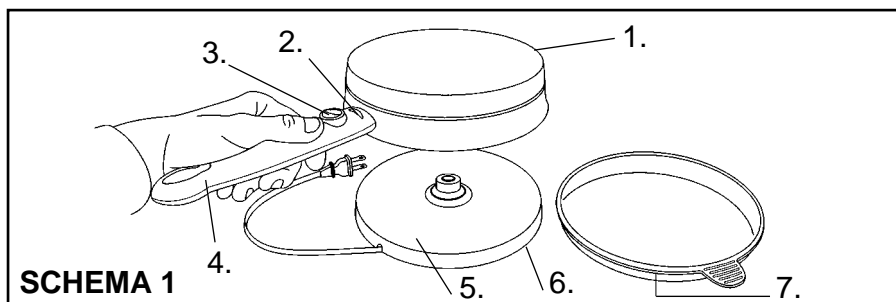
Les crêpes existent depuis fort longtemps et ont un passé international. Personne ne connaît véritablement l'origine de la première crêpe. Il est probable que la crêpe a évolué au fil des siècles d'un simple mélange de farine et d'eau aplati et cuit au dessus du feu dans le but de maintenir les aliments, bien avant l'apparition des ustensiles de cuisine (ou des sandwiches !). Parmi ses descendants bien sympathiques, on trouve la Tortilla mexicaine, le Blinis russe et juif , le Palascinta hongrois, le egg roll chinois, le Manicotti italien et les crêpes de tous pays. Le terme 'crêpes' est d'origine française. En France, on fait des crêpes tous les ans le jour de la Chandeleur, fête religieuse d'origine païenne. Située dans le nord de la France, la Bretagne est célèbre pour ses crêpes sucrées et salées, pour le plus grand régal des touristes et des habitants de la région.

Il existe tellement de versions différentes des crêpes et une telle variété de garnitures et de sauces que vous pouvez réaliser absolument tout ce qui vous tente, y compris inventer une nouvelle recette si le cœur vous en dit !

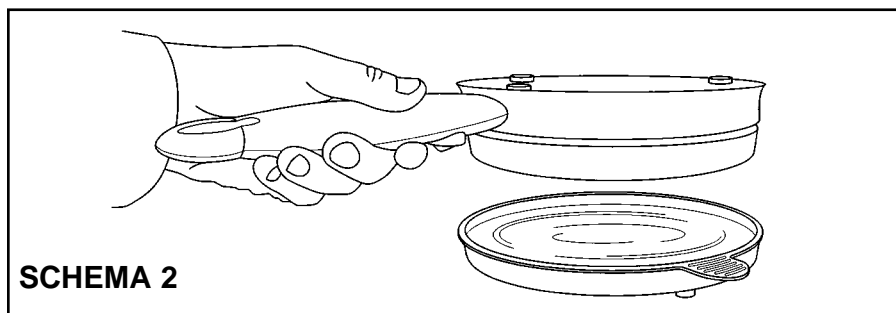
Dans toutes les pâtes à crêpes, il est possible de changer les proportions de farine, d'œufs et de liquide, afin de produire soit des crêpes fines dentelées, soit des crêpes plus consistantes et épaisses, ou des crêpes enrichies aux œufs. L'addition de beurre ou de margarine permet d'ajouter davantage d'arôme et de décoller les crêpes de la poêle plus facilement. L'huile rend les crêpes légèrement collantes. Le sucre les rend plus croustillantes mais casse parfois les crêpes au moment de les rouler.

Dans la mesure où les crêpes utilisées en tant que dessert comportent une garniture/sauce sucrée, vous pouvez utiliser une pâte non sucrée afin de pouvoir plier ou rouler les crêpes sans difficultés.

Remarque : Le produit peut différer légèrement de l'illustration.



- | | |
|---|---|
| 1. Surface de cuisson antiadhérente | 4. Poignée à toucher froid |
| 2. Voyant rouge indicateur de fonctionnement | 5. Base sans fil 360° |
| 3. Bouton d'alimentation de marche/arrêt 'On/Off' | 6. Le cordon s'enroule autour de la base (non illustré) |
| | 7. Plateau d'écoulement |



Utilisation de la crêpière sans fil

1. Avant utilisation, essuyer la surface de cuisson antiadhérente à l'aide d'un chiffon humide, puis sécher.
2. Placer la crêpière sur la base sans fil.
3. Brancher dans une prise de 120 V ~ 60 Hz .
4. Tourner le bouton de marche sur la position 'on'. Le voyant rouge s'allume.
5. Laisser la crêpière préchauffer jusqu'à ce que le voyant rouge s'éteigne.
6. Préparer la pâte à crêpe en fonction de la recette. Verser la pâte dans le plateau d'écoulement. Ne pas trop remplir.

7. Placer une assiette tout prêt afin de pouvoir empiler les crêpes cuites.
8. Agripper la poignée de la crêpière, retourner l'appareil et tremper la surface de cuisson antiadhérente dans la pâte (tel qu'illustré au SCHEMA n°2). Ne tremper la crêpière qu'une seule fois dans la pâte.
9. Retourner la crêpière en position normale puis la remettre sur la base.
10. Le voyant rouge s'allume. La crêpe est prête lorsque les bords commencent à prendre un aspect légèrement doré et que la crêpe ne fume pratiquement plus. – compter environ une minute. Durant la cuisson, le voyant rouge s'allume et s'éteint en alternance.
11. Placer la crêpière à l'envers au dessus de l'assiette. Si la crêpe ne se décolle pas, décoller les bords à l'aide d'une spatule en plastique. Il est inutile de faire dorer l'autre côté.

REMARQUE : Ne pas utiliser d'ustensiles en métal qui risqueraient de rayer la surface antiadhérente de la crêpière.

12. Continuer à faire cuire les crêpes, en répétant les étapes 8 à 11.

Remarque : Les différences d'ingrédients ou de préférences personnelles quant à la couleur des crêpes ont une influence sur le temps de cuisson requis.

Astuces :

- Empiler les crêpes au fur et à mesure de la cuisson. Conserver l'humidité des crêpes en les couvrant d'essui-tout ou de papier d'aluminium. Cette étape est inutile dans le cas de crêpes fourrées ou servies chaudes accompagnées d'une sauce.
- Les deux premières crêpes sont parfois dentelées et comportent des trous, en particulier si la pâte est mousseuse après l'avoir passée au mixeur, l'avoir mélangée ou fouettée. La dernière crêpe peut ne pas adhérer à la crêpière s'il ne reste que très peu de pâte et que la surface antiadhérente entre en contact avec le fond du plat.
- Si les crêpes attachent à la surface antiadhérente, vérifier la recette : les recettes comportant de l'huile au lieu de beurre ou de margarine, ou les recettes comportant du sucre peuvent rendre les crêpes légèrement collantes. Passer un peu de beurre ou de margarine sur la surface antiadhérente à l'aide d'un essui-tout, avant de faire cuire la première crêpe, ou entre chaque crêpe.

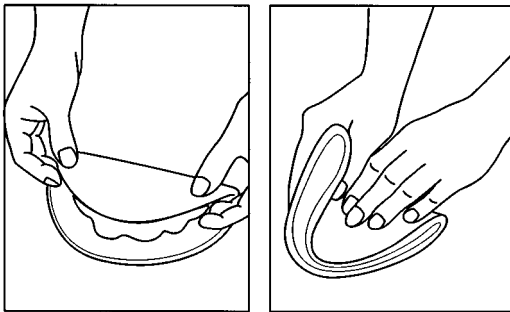
- Si la crêpière est plongée trop longtemps dans la pâte, cette dernière n'adhérera pas à la surface antiadhérente. L'action de trempage ne doit durer que quelques secondes.
- Les crêpes mettent 40 à 60 secondes à cuire.
- Le bord des crêpes a parfois tendance à 'se retrousser' lorsque la crêpe est cuite. Le centre des crêpes peut prendre une apparence 'mouillée' en fin de cuisson.

Service

Commencer par une pile de crêpes, que vous pouvez utiliser de différentes manières ; vous pouvez réaliser une simple sauce ou des crêpes fourrées au fil de votre imagination. Les crêpes peuvent être servies froides, tièdes, ou chaudes, passées au four, grillées ou frites à l'huile pour les rendre plus croustillantes. Voici quelques idées concernant la manière de présenter les crêpes. Consulter les recettes pour découvrir la manière d'utiliser différentes formes de crêpes.

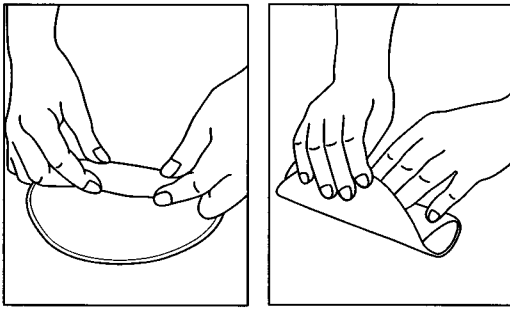
SCHEMA 3 - Crêpes "divisées"

Les crêpes sont pliées en quart...lorsqu'elles sont servies seules (ou recouvertes d'une légère garniture) et accompagnées d'une sauce, ou utilisées chaudes dès qu'elles sont cuites, accompagnées d'une sauce froide en apéritif.



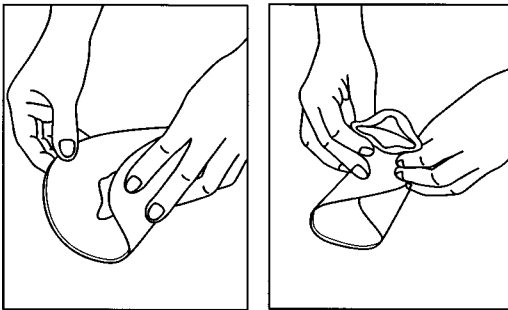
SCHEMA 4 - Crêpes roulées

ou rouleaux de crêpes . . . lorsqu'elles sont fourrées de quelques cuillerées d'un mélange pour entrée ou dessert, et cuites rapidement, grillées, ou fourrées d'une mousse froide, de glace, ou de crème fouettée.



SCHEMA 5 - Crêpes pliées

Lorsqu'elles enveloppent des entrées légères, des entrées de type ravioli, ou des aliments fris de toutes sortes. Ou Crêpes empilées . . . utilisées pour confectionner des gâteaux ou des ragoûts, fourrées ou accompagnées d'une garniture, et servies chaudes ou froides.



Pour conserver les crêpes au chaud

Si vous souhaitez servir des crêpes chaudes sans avoir à les passer au four, à les griller ou à les faire frire, il suffit de couvrir la pile de crêpes de papier aluminium au fur et à mesure de la cuisson. Vous pouvez également placer une grille ou un écran perforé (tel qu'un filet) au-dessus d'une poêle à laquelle on ajoute 2,5 cm d'eau frémissante.

Congélation ou réfrigération

Les crêpes se conservent jusqu'à un mois au congélateur ou une semaine au réfrigérateur. Il suffit de les empiler sur une feuille de papier d'aluminium ou de papier sulfurisé, et de les placer dans un grand sac alimentaire hermétique, qu'il faut sceller, en éliminant un maximum d'air. Pour utiliser les crêpes, les laisser réchauffer à température ambiante. Les 'détacher' ensuite en tirant doucement. Si vous manquez de temps, vous pouvez faire réchauffer la pile de crêpes recouverte d'aluminium dans un plat à four à fond plat, à feu doux.

Entretien et nettoyage

REMARQUE : NE PAS IMMERGER AUCUNE PARTIE DE LA CREPIERE DANS L'EAU OU DANS TOUT AUTRE LIQUIDE.

1. Eteindre le bouton de marche et débrancher l'appareil de la prise avant de le nettoyer.
2. Laisser la crêpière refroidir légèrement. L'appareil est plus facile à nettoyer lorsqu'il est encore légèrement chaud.
3. Nettoyer la surface antiadhérente à l'aide d'un chiffon doux. S'il reste de la pâte cuite sur l'appareil, brosser à l'aide d'un peu d'huile ou de beurre fondu. Laisser reposer 5 minutes puis essuyer à l'aide d'un chiffon humide. Les autres parties de l'appareil peuvent être essuyées à l'aide d'un chiffon doux humide.
4. Toujours nettoyer après chaque utilisation afin d'éviter que la pâte cuite s'accumule sur l'appareil.

REMARQUE : Ne pas utiliser d'éléments abrasifs sur la surface de cuisson antiadhérente.

Tout entretien de l'appareil autre que le nettoyage, nécessitant un démontage, doit être effectué auprès d'un centre agréé SAV.

Recettes

Il est recommandé de commencer par les recettes de pâte indiquées ici même, qui sont toutes faciles à utiliser pour tremper la pâte, la cuire et la décoller de la crêpière. Ces pâtes se roulent facilement et se conservent pendant plusieurs semaines au congélateur et pendant plusieurs jours au réfrigérateur.

La pâte peut être utilisée immédiatement. Cependant, on obtient des crêpes plus moelleuses en laissant la pâte reposer une heure ou deux. Il est également possible de réfrigérer la pâte jusqu'à trois jours et de s'en servir en fonction des besoins.

Pâte à crêpe de base

1 tasse de farine ménagère tout usage

2 oeufs

½ de tasse de lait

½ tasse d'eau

¼ de cuil. à café de sel

2 cuil. à soupe de beurre ou de margarine fondu(e)

Placer les ingrédients dans le mixeur, dans l'ordre indiqué. Mixer pendant 30 secondes, arrêter, puis retirer la pâte se trouvant sur les bords et mélanger. Mixer de 30 à 60 secondes, jusqu'à ce que le mélange soit lisse. Vous pouvez également mélanger la pâte dans un bol à l'aide d'un batteur en métal ou d'un mixeur, commencer par combiner la farine et les œufs, en ajoutant le liquide petit à petit. Battre jusqu'à ce que le mélange soit lisse, puis ajouter le restant des ingrédients. Pour environ 16 crêpes.

REMARQUE : Mesurer la farine et le liquide avec précaution, car la consistance de la pâte à crêpes est importante. (Elle doit être à peu près semblable à une crème épaisse lourde). Verser la farine dans le verre gradué à l'aide d'une cuillère, et égaliser à l'aide du bord non coupant d'un couteau ou d'une spatule.

Variantes

Crêpes plus riches, au goût d'œuf plus prononcé

- 1 tasse de farine ménagère tout usage, tamisée
- 3 oeufs
- $\frac{3}{4}$ de tasse de lait
- $\frac{3}{4}$ de tasse d'eau
- $\frac{1}{4}$ de cuil. à café de sel
- 2 cuil. à soupe de beurre ou de margarine fondu(e)

Crêpes à la farine de maïs

Délicieuses accompagnées d'une garniture mexicaine ou d'un fourrage plus consistant en plat principal

- $\frac{1}{2}$ tasse de farine de maïs jaune
- $\frac{1}{2}$ tasse d'eau bouillante
- 3 oeufs
- $\frac{1}{2}$ cuil. à café de sel
- $\frac{1}{2}$ tasse de farine ménagère tout usage
- 2 cuil. à soupe de beurre ou de margarine fondu(e)
- $\frac{3}{4}$ de tasse de lait

Combiner la farine de maïs et l'eau bouillante, et brasser jusqu'à ce que le mélange soit lisse. Laisser légèrement refroidir. Combiner les œufs, le sel, la farine et le beurre, jusqu'à ce que le mélange soit lisse. Ajouter le lait et mélanger jusqu'à ce que le mélange soit lisse. Remuer la pâte de temps en temps en trempant l'appareil dans la pâte si la farine de maïs a tendance à rester au fond du plat.

Préparation pour crêpes au sarrasin

Pour des crêpes parfumées 'au goût de sarrasin', servies en entrée ou accompagnées d'une garniture de fruits :

- 1 tasse de préparation pour crêpes au sarrasin
(ou $\frac{2}{3}$ de tasse de farine de sarrasin et $\frac{1}{2}$ cuil. à café de sel)
- 1 oeuf
- 1 tasse de lait
- 3 cuil. à soupe de beurre ou de margarine fondu(e)

REMARQUE : Vous pouvez également utiliser les préparations ordinaires pour crêpes. Dans la mesure où les préparations varient, il peut s'avérer nécessaire de rajouter un peu plus de lait.

« Pigs in Blankets »

1 pile de crêpes (environ 16)

Petites saucisses de porc (précuites et dorées) ou saucisses de Frankfort coupées en deux

Moutarde préparée

Huile

Plier et rouler la crêpe (côté doré vers le bas) autour de la saucisse recouverte de moutarde. Faire chauffer environ 6mm d'huile dans une poêle à feu moyen, jusqu'à ce que l'huile soit chaude, mais sans la laisser fumer. Faire frire les crêpes par petits paquets dans l'huile chaude, pliere vers le bas au départ, puis les retourner. Bien les surveiller car elles ont tendance à dorer et devenir croustillantes rapidement. Servir chaud.

Remarque : Pour des entrées moins volumineuses, couper en morceaux de 3,2 à 5cm, et fermer à l'aide d'une pic.

Fromage frais "et cetera"

1 pile de crêpes (environ 16)

1 paquet de fromage frais de 226g.

Assaisonnement : Olives tranchées, petits morceaux de bacon, filets ou pâte d'anchois, un soupçon de sauce Worcestershire, confiture, radis noir, 'relish', ou tout autre assaisonnement pouvant accompagner du fromage frais. Huile.

Couper le fromage frais sorti du réfrigérateur en 16 tranches environ, (14 g); placer une tranche au centre de chaque crêpe (côté doré vers l'extérieur). Recouvrir d'un des assaisonnements. Plier les crêpes en formant des enveloppes serrées, et les placer sur une assiette, la pliere vers le bas. Faire chauffer environ 6mm d'huile dans la poêle à feu moyen, jusqu'à ce que l'huile soit chaude, mais sans la laisser fumer. Faire frire les enveloppes de crêpes par petits paquets, pliere vers le bas, puis les retourner. Bien les surveiller car elles ont tendance à dorer et devenir croustillantes rapidement. Laisser égoutter sur un essui-tout, et servir chaud. Remarque : Ces hors d'œuvres sont amusants à préparer soi même.

Salami suisse

Crêpes

fromage suisse tranché

Salami en tranches (ou jambon bouilli)

Couper le fromage et le salami en fines tranches de 6mm (julienne) et de 7,6 cm de long maximum. Placer 4 ou 5 tranches de chaque sur le centre inférieur (côté doré) de chaque crêpe. Plier et rouler la crêpe pour renfermer le contenu. Faire chauffer environ 6mm d'huile dans une poêle à feu moyen, jusqu'à ce que l'huile soit chaude, mais sans la laisser fumer. Faire frire les crêpes par petits paquets, pliure vers le bas au départ, puis les retourner. Bien les surveiller car elles ont tendance à dorer et devenir croustillantes rapidement. Laisser égoutter sur un essui-tout et servir chaud.

Tacos

1 pile de crêpes à la farine de maïs (environ 16)

453g de viande de bœuf hachée

2 oignons de petite taille hachés finement

1 préparation d'assaisonnement pour Tacos (35g)

$\frac{3}{4}$ à 1 tasse d'eau (consulter la recette de garniture indiquée sur le paquet pour la quantité nécessaire)

Sauce Taco

Garniture facultative : laitue tranchée, fromage râpé bien fait, tomates fraîches en morceaux.

Recouvrir à l'aide des garnitures.

Dans une grande poêle, faire cuire et dorer le bœuf et les oignons jusqu'à ce que la viande soit réduite en petits morceaux et que les oignons soient tendres. Egoutter l'excès de gras. Ajouter la préparation pour assaisonnement et l'eau, et laisser cuire à petits bouillons pendant 15 à 20 minutes. Verser une ou deux grosses cuil. de garniture chaude au centre de chaque crêpe, côté doré vers le haut. Rouler les crêpes de manière à renfermer la garniture et conserver à four chaud. Servir accompagné de la sauce Taco.

Blinis

1 pile de crêpes à la farine de sarrasin, réchauffée (environ 16)

1 boîte de 113g de caviar rouge

236 ml de crème fermentée.

3 oeuf durs, en petits morceaux

1 gros oignon, finement haché

Utiliser des crêpes tout juste cuites, ou réchauffer des crêpes surgelées ou réfrigérées au four, à feu doux. Combiner le caviar et la crème fermentée, et placer dans un bol de service. Placer les oeufs et l'oignon dans des petits bols de service. Les invites peuvent ensuite se servir à leur gré, puis plier la crêpe et la manger à la main.

Blintzes

1 pile de crêpes (environ 16)

2 tasses de cottage cheese à petits grumeaux

1 œuf, bien battu

1 cuil. à soupe de sucre

1 cuil. à café de zeste de citron râpé

Combiner le fromage, l'œuf, le sucre et la peau de citron. Placer une cuillère à café du mélange au centre de chaque crêpe, côté doré vers l'extérieur. Plier les côtés de la crêpe de manière à recouvrir le fourrage et à former une enveloppe bien serrée. Placer sur une assiette, pliure vers le bas. Faire chauffer environ 6mm d'huile dans la poêle à feu moyen jusqu'à ce qu'elle soit chaude mais sans la laisser fumer. Faire frire quelques blintzes à la fois, pliure vers le bas, puis les retourner. Bien les surveiller car ils ont tendance à dorer et devenir croustillants rapidement. Laisser égoutter sur un essui-tout et servir chaud. Vous pouvez également servir les crêpes accompagnées de crème fermentée, de sauce à la pomme, de fruits frais ou de sucre glace.

Eggrolls de porc ou de poulet

1 pile de crêpes (environ 16)
2 tasses de porc ou de poulet cuit coupé finement en dés
1 boîte de 453g de chow mein sans viande ou au poulet
1 cuil. à soupe de sauce au soja
2 cuil. à soupe d'huile
Moutarde préparée, forte ou douce

Sauce:

1 cuil. à soupe de farine de maïs
1 cuil. à soupe d'eau
1 tasse de bouillon de poulet
1 cuil. à soupe de sauce au soja
1 cuil. à soupe de Sherry sec
½ cuil. à café de sucre
saler et poivrer

Dans un bol, mélanger le porc ou le le chow mein au poulet et la sauce au soja. Placer une ou deux grosses cuillerées du mélange au centre de chaque crêpe, côté doré vers le bas. Plier les crêpes et placer la pliure vers le bas dans une assiette. Faire chauffer l'huile dans la poêle à four moyen jusqu'à ce qu'elle soit chaude mais sans la laisser fumer. Faire frire quelques enveloppes de crêpes à la fois, pliure vers le bas, puis les retourner. Bien les surveiller car elles ont tendance à dorer et devenir croustillantes rapidement. Laisser égoutter sur un essui-tout et servir chaud accompagnées de moutarde ou de sauce chinoise. Egalement délicieux accompagné de riz et d'une salade de concombres et carottes émincées.

Pour la sauce : Dans une petite casserole, combiner la farine de maïs et l'eau. Ajouter le restant des ingrédients puis laisser cuire à petits bouillons jusqu'à ce que la sauce épaississe, en tournant constamment.

Crêpes au poulet au curry

1 pile de crêpes (environ 16)
4 cuil. à soupe de beurre ou de margarine
1 oignon de taille moyenne, émincé
1 tasse de céleri coupé en petits dés
2 cuil. à soupe de farine tout usage
½ cuil. à café de sel
¼ de cuil. à café de poivre
2 cuil. à café de poudre de curry
1 tasse de bouillon de poulet
3 tasses de poulet cuit coupé en dés
½ tasse de crème fermentée ou épaisse
Garnitures : Chutney, cacahuètes, noix de coco émincée, petits morceaux de bacon

Préchauffer le four sur 180°C. Faire fondre le beurre dans une grande poêle, ajouter l'oignon et le céleri et faire revenir jusqu'à ce qu'ils soient tendres. Ajouter la farine et les assaisonnements, puis faire cuire 5 minutes. Ajouter le bouillon et faire dorer à petits bouillons jusqu'à ce que le mélange ait épaissi. Retirer du feu et ajouter le poulet et la crème. Placer une ou deux grosses cuillerées à soupe du mélange au centre de chaque crêpe, face dorée vers l'extérieur. Rouler et placer dans un plat à four beurré de 33 x 22 cm, pliure vers le bas. Brosser ou enduire de beurre fondu. Faire cuire au four pendant 20 à 25 minutes, ou jusqu'à ce que la sauce soit chaude et fasse des bulles. Recouvrir de deux types de garniture.

Crêpes boeuf Stroganoff

1 pile de crêpes (environ 16)
¼ de tasse de beurre ou de margarine
½ tasse d'oignons émincés
453g de viande de bœuf hachée
(ou 2 tasses de rôti de bœuf coupé finement)
2 cuil. à soupe de farine tout usage
2 cuil. à café de sel
¼ de cuil. à café de poivre
¼ de cuil. à café de paprika
1 boîte de 297g de crème de champignons concentrée
1 tasse de crème fermentée
Garnitures : Crème fermentée, persil haché ou ciboulette

Crêpes boeuf Stroganoff (Suite)

Préchauffer le four à 176°C. Faire fondre le beurre dans une poêle à feu moyen jusqu'à ce qu'il soit chaud, ajouter les oignons et les faire frire jusqu'à ce qu'ils dorent. Ajouter la viande et les quatre ingrédients suivants. Faire frire et remuer jusqu'à ce que la viande soit dorée. Ajouter la soupe non diluée, faire cuire à petits bouillons pendant 10 minutes, en remuant de temps en temps. Retirer du feu et ajouter la crème. Placer une ou deux grosses cuillerées du mélange au centre de chaque crêpe, face dorée vers le haut. Rouler et placer les crêpes dans une cocotte de 33 x 22 cm, pliure vers le bas. Brosser ou enduire de beurre fondu. Faire cuire 15 à 20 minutes, jusqu'à ce que les crêpes soient chaudes. Servir accompagné de garnitures.

Crêpes aux champignons frais

1 pile de crêpes (environ 16)
453g de champignons frais
¼ de tasse de beurre
½ cuil. à café de sel
¼ de cuil. à café de poivre
½ cuil. à café de sel aromatisé
2 paquets de bouillon de boeuf
4 cuil. à soupe de vin blanc sec
1 tasse de crème fermentée fraîche
2 cuil. à soupe de ciboulette hachée

Trancher les champignons et les faire revenir à la poêle dans du beurre, pendant environ 4 minutes. Ajouter le poivre et le sel aromatisé, le bouillon et le vin. Faire cuire à feu moyen pendant plusieurs minutes. Ajouter la crème fermentée et la ciboulette. Faire chauffer sans porter à ébullition. Ajouter environ 4 cuillerées à soupe de champignons et de sauce au centre des crêpes, face dorée vers le haut, puis les plier.

Jambon et oeufs sauce hollandaise

1 pile de crêpes de base ou au sarrasin
Jambon bouilli en tranches, circulaires de préférence
Oeufs durs, tranchés (ou œufs brouillés)
Pointes d'asperges, fraîches ou congelée (facultatif)
Beurre fondu ou margarine
Sauce hollandaise (environ ¼ de tasse par crêpe)

Préchauffer le four sur 176°C. Assembler le nombre de crêpes souhaité en plaçant une tranche de jambon sur chaque crêpe, face dorée vers le haut. Si nécessaire, découper la tranche de manière à ce qu'elle loge dans la crêpe. Disposer 4 à 5 tranches d'œuf ou une grosse cuil. d'œufs brouillés et 2 ou 3 pointes d'asperges au centre de chaque crêpe. Recouvrir de sauce hollandaise. Rouler les crêpes et les placer, pliure vers le bas, dans un plat à four beurré. Brosser ou recouvrir de beurre fondu. Faire cuire 10 à 15 minutes, jusqu'à ce que les crêpes soient chaudes. Servir accompagné de sauce hollandaise chaude ou de sauce au fromage.

Crêpes à la Florentine

10 à 12 crêpes
1 paquet de 283 g d'épinards congelés et hachés
4 cuil. à soupe de beurre ou de margarine
3 cuil. à soupe de farine tout usage
1 tasse de lait
½ cuil. à café de sel
⅛ de cuil. à café de noix de muscade
⅛ de cuil. à café de poivre
1 tasse d'emmental ou de gruyère râpé ou en cubes (110 à 140 g)
1 cuil. à café d'oignon râpé
Beurre or margarine fondu(e)
Parmesan râpé

Préchauffer le four à 190°C. Faire cuire les épinards et bien les égoutter. Les laisser de côté. Faire fondre le beurre dans une grande casserole (1,8 l), retirer du feu et ajouter la farine, en brassant jusqu'à ce que le mélange soit homogène. Ajouter le lait, remettre sur le feu et brasser jusqu'à ce que le mélange soit lisse et ait épaissi. Ajouter le sel, la noix de muscade, le poivre, le fromage, l'oignon et les épinards. Bien mélanger et retirer du feu lorsque le fromage a fondu. Placer une grosse cuil. du mélange aux épinards au centre de la crêpe, face dorée vers le haut.

Crêpes à la Florentine (Suite)

Variantes : Ajouter du jambon cuit en dés au mélange d'épinards, ou encore, parsemer les crêpes de petits morceaux de bacon avant de les rouler.

Crêpes Manicotti

1 pile de crêpes (environ 16)
1 tasse et demi (425 g) de fromage ricotta
227g. de mozzarella coupée en dés de 1 cm
½ cuil. à café de sel
⅛ de cuil. à café de poivre
2 oeufs
¼ de tasse de parmesan râpé
2 cuil. à soupe de beurre ou de margarine
1 cuil. à café d'origan (facultatif)
1 boîte de 396 g de sauce tomate à l'italienne

Préchauffer le four sur 176°C. Mélanger l'ensemble des ingrédients à l'exception de la sauce tomate. Placer une grosse cuil. du mélange au centre de chaque crêpe (face dorée vers le haut). Rouler les crêpes de manière à recouvrir la garniture et les placer, pliure vers le bas, dans une cocotte de 33 x 22 cm. Verser la sauce au centre des crêpes. Recouvrir de parmesan en fonction de vos préférences. Faire cuire à 176°C pendant 25 à 30 minutes, ou jusqu'à ce que le mélange soit chaud et face des bulles. Servir deux à trois crêpes par personne.

Crêpes aux fruits de mer sauce crevette

8 à 10 crêpes

2 cuil. à soupe de beurre ou de margarine

½ tasse d'oignons verts finement émincés ou d'oignons de printemps

¾ de tasse de céleri finement tranché

1 tasse de limule (également appelé crabe des Mulluques) en miettes (environ 170g)

1 tasse de petites crevettes cuites (environ 170g)

½ tasse de mayonnaise

2 cuil. à soupe de piment coupé en dés

1 cuil. à café de poudre de curry

1 cuil. à café de jus de citron

Sauce:

1 boîte de 283g de bisque de crevettes concentrée

1 cuil. à café de jus de citron

½ boîte de lait

Préchauffer le four à 176°C. Dans une poêle de petite taille, faire revenir les oignons et le céleri dans du beurre, jusqu'à ce qu'ils soient tendres et croustillants. Combiner le restant des ingrédients dans un bol, ajouter le mélange de céleri et d'oignon. Placer 1 à 2 grosses cuillerées de mélange au centre de chaque crêpe, face dorée vers le haut, et rouler. Placer dans un plat à four beurré de 22 x 27 cm, et recouvrir de papier d'aluminium. Servir accompagné de la sauce chaude.

Pour la sauce : Combiner les ingrédients dans une casserole et faire chauffer, en remuant, jusqu'à ce que le mélange soit lisse et chaud.

Enchiladas mexicaines

12 crêpes à la farine de maïs
453g de viande de bœuf hachée
½ tasse d'oignons verts ou jaunes hachés
10 olives mûres dénoyautées et tranchées
1 cuil. à café de sel
1 gousse d'ail hachée
1 à 2 cuil. à café de poudre de piment
1 tasse de Cheddar vieilli en cubes

Sauce:

1 boîte de 453g de purée ou de sauce tomate
1 boîte de 170g de pâte de tomates
1 oignon de petite taille, émincé
1 cuil. à café de sel
2 cuil. à café de sucre
1 gousse d'ail émincée
1 à 2 cuil. à café de piment en poudre
¾ de tasse de Cheddar vieilli, coupé en cubes

Préchauffer le four à 121°C. Dans une grande poêle, faire cuire la viande de bœuf hachée et les oignons jusqu'à ce qu'ils soient tendres et que la viande soit dorée. Retirer du feu, égoutter la graisse. Ajouter les olives, le sel, l'ail, la poudre de piment et une tasse de fromage. Placer 1 à 2 grosses cuillerées au centre de chaque crêpe, face dorée vers le haut. Placer pliure vers le bas dans un plat à four beurré de 22 x 33 cm. Verser la sauce au centre des crêpes. Faire cuire 20 à 25 minutes, ou jusqu'à ce que le mélange soit chaud et fasse des bulles.

Pour la sauce : Combiner l'ensemble des ingrédients dans une casserole. Porter à ébullition et laisser cuire à petits bouillons pendant 10 minutes. Ajouter le ¾ de tasse de fromage restants. Assaisonner en fonction de vos préférences. Rajouter du piment en poudre si nécessaire.

Crêpes à la dinde « Hash »

- 1 pile de crêpes (environ 16)
- 2 tasses de dinde cuite coupée en cubes
- 1 tasse de farce au pain (restes ou mélange sec)
- 1 tasse de sauce à viande 'giblet gravy'
- 1 œuf légèrement battu
- Un peu de crème ou de lait si nécessaire

Préchauffer le four sur 190°C. Combiner la dinde, la farce, et l'œuf. Ajouter la crème ou le lait pour humidifier le mélange, si nécessaire. Placer une ou deux grosses cuillerées à soupe du mélange au centre de la crêpe, face dorée vers le bas, dans un plat à four beurré de 22 x 22 cm (ou d'une taille supérieure). Faire cuire pendant 15 à 20 minutes ou jusqu'à ce que le mélange soit chaud. Servir accompagné de la sauce restante, ou de sauce aux aïelles chaude.

Ragoût de Lasagnes

- 1 pile de crêpes (environ 16)
- 2 pots de 396g de sauce tomate à l'italienne
- 453g de viande de bœuf hachée
(si elle n'est pas utilisée dans la sauce)
- 1 pot de 425g de fromage ricotta
- 226 à 340g. de mozzarella coupée en tranches fines
- ½ tasse de parmesan râpé

Préchauffer le four sur 176°C. Dans une large poêle, faire dorer le bœuf (si la recette en contient) jusqu'à ce qu'il s'émiette. Egoutter l'excès de gras et ajouter la sauce tomate, porter à ébullition, puis retirer du feu. Dans un plat à four de 33 x 22 cm, étaler 1 tasse de sauce. Ajouter ensuite 5 à 6 crêpes, en les faisant se chevaucher si nécessaire. Étaler ½ boîte de fromage ricotta, ⅓ des tranches de fromage, ⅓ du parmesan râpé, et 1 tasse de sauce. Répéter une nouvelle fois. Recouvrir des crêpes restantes, de la sauce, de mozzarella et de parmesan. Faire cuire au four pendant 30 minutes, ou jusqu'à ce que le mélange soit chaud et fasse des bulles. Laisser reposer 10 minutes avant de servir, et couper les crêpes en carré.

Crêpes extra pour enfants

Beurre de cacahouètes

Mélanger du beurre de cacahouètes crémeux ou contenant des morceaux avec un peu de beurre fondu ou de margarine, jusqu'à ce que le mélange puisse être tartiné. Etaler en fine couche sur les crêpes, face dorée vers le haut. Ajouter ensuite l'un des ingrédients suivants : confiture, gelée, crème de chamallows, petits morceaux de bacon, relish sucré. Rouler les crêpes et servir froid ou chaud réchauffé dans une poêle avec un peu de beurre.

Crêpes Sundae

Rouler une cuil. de crème glacée tout parfum dans une crêpe et recouvrir de sauce sundae. Pour confectionner des coupes de glace, brosser la face non dorée des crêpes de beurre fondu, recouvrir le fond de moules à muffins ou à custard (face beurrée vers le haut) et faire cuire au four à 190°C jusqu'à ce que les crêpes soient croustillantes, pendant environ 10 minutes. Laisser refroidir et remplir de glace, de gâteau, de gélatine sucrée ou de fruits.

Bananes sauce au vin

8 crêpes

4 bananes moyennement mûres

Jus de citron

4 cuil. à soupe de beurre

½ tasse de sucre brun

½ tasse de cannelle

¼ de cuil. à café de noix de muscade

⅓ de tasse de vin rouge sec

Préchauffer le four sur 190°C. Peler et couper les bananes en deux, dans le sens de la longueur. Saupoudrer de jus de citron et mélanger afin de les empêcher de noircir. Combiner le restant des ingrédients dans une casserole, porter à ébullition. Laisser cuire à petits bouillons pendant 10 à 15 minutes, jusqu'à ce que le mélange devienne sirupeux. Rouler la moitié d'une banane dans chaque crêpe, face dorée vers le haut. Placer pliure vers le bas dans un plat à four de 22 x 22 cm. Verser le sirop sur les crêpes. Faire cuire au four pendant 10 à 15 minutes, jusqu'à ce que les bananes deviennent molles. Servir chaud.

Crème fermentée et fraises

1 pile de crêpes (environ 16)
473 ml (2 tasses) de crème fermentée
3 cuil. à soupe de sucre
2 cuil. à soupe de liqueur d'orange (Cointreau ou Grand Marnier),
facultatif
2 tasses de fraises tranchées sucrées
2 cuil. à soupe de beurre ou de margarine
Sucre glace

Combiner la crème fermentée, le sucre et la liqueur d'orange (facultatif). Étaler la même quantité de crème fermentée sur chaque crêpe, ajouter quelques fraises tranchée, puis rouler les crêpes. Placer les crêpes roulées dans une casserole profonde, couvrir et mettre au réfrigérateur jusqu'au moment de servir. Pour réchauffer, faire fondre du beurre ou de la margarine dans une casserole à crêpes Suzettes ou une casserole profonde. Faire réchauffer les crêpes roulées, en tournant avec précaution de manière à ce que la chaleur soit répartie uniformément. Ajouter les fraises restantes, et faire chauffer. Saupoudrer de sucre glace.

'Mincemeat' sauce au rhum

8 crêpes
2 tasses de mincemeat préparé
¼ de tasse de beurre ou de margarine
½ tasse de sucre
1 cuil. à café de zeste de citron râpé
¼ de tasse de rhum léger
1 œuf battu

Étaler le 'mincemeat' uniformément sur les crêpes, face dorée vers le haut, puis les plier en quatre. Faire fondre le beurre fondu dans un plat à bain-marie de table ou une poêle, ajouter le sucre, la peau de citron, et le rhum. Remuer à feu moyen jusqu'à ce que le sucre ait fondu. Cuire à feu doux. Ajouter quelques cuillerées d'œuf battu, et battre jusqu'à ce que le mélange soit mousseux. Ajouter le mélange d'œuf au restant du sirop. Ajouter les crêpes et les réchauffer à feu doux.

Crêpes aux myrtilles

1 pile de crêpes (environ 16)
2 tasses de crème à la vanille préparée
1 tasse de crème épaisse fouettée
¼ de cuil. à café de noix de muscade

Sauce

½ tasse de sucre
1 cuil. à soupe de farine de maïs
¼ de tasse d'eau
¼ de tasse de sirop de maïs léger
2 cuil. à café de jus de citron
2 tasses de myrtilles fraîches ou surgelées

Garniture (facultative) : Crème fermentée ou crème fouettée.

Combiner les ingrédients du fourrage. Placer 2 à 3 cuil. à soupe du mélange au centre de chaque crêpe, face dorée vers le haut, puis rouler les crêpes. Placer dans un plat de service. Recouvrir de sauce et d'une cuillerée de crème fermentée ou de crème fouettée en fonction de vos préférences.

Pour la sauce : Combiner le sucre et la farine de maïs dans une casserole, et mélanger. Ajouter l'eau, le sirop de maïs et le jus de citron, jusqu'à ce que le mélange soit lisse. Ajouter les fruits. Faire cuire, en remuant sans arrêt, jusqu'à ce que la sauce se mette à bouillir et épaississe. Réfrigérer jusqu'à ce que le mélange soit froid.

Orange et fromage frais Palascintas

1 pile de crêpes (environ 16)
226g de fromage frais, ramolli
¼ de tasse de beurre ou de margarine, ramolli(e)
2 cuil. à soupe de sucre
1 cuil. à café de vanille
1 cuil. à café de zeste de citron râpé

Sauce

$\frac{2}{3}$ de tasse de marmelade d'orange
 $\frac{1}{3}$ de tasse de jus d'orange
2 cuil. à soupe de beurre ou de margarine
1 cuil. à soupe de jus de citron
1 à 1 cuil. à café $\frac{1}{2}$ de zeste de citron râpé

A l'aide d'une cuillère, mélanger les ingrédients et battre jusqu'à ce que le mélange devienne léger et mousseux. Etaler sur chaque crêpe, face dorée vers le haut, en allant pratiquement jusqu'au rebord de la crêpe, puis la rouler. Placer dans un plat au bain-marie de table préalablement beurré, ou une poêle, pliure vers le bas. Faire la sauce en combinant les ingrédients dans une casserole à feu moyen. Faire bouillir doucement jusqu'à ce que les ingrédients soient bien mélangés et aient légèrement épaissi, environ 5 minutes. Verser sur les crêpes et faire chauffer jusqu'à ce qu'elles soient chaudes.

Facultatif : Ajouter 1 tasse de mandarines bien égouttées.

Pour flamber : Verser $\frac{1}{4}$ de tasse de liqueur à l'orange sur les crêpes et la sauce. Laisser chauffer pendant une minute. Flamber ensuite à l'aide d'une allumette et servir lorsque la flamme commence à faiblir.

Variante : Utiliser de la marmelade d'abricot ou de pêche au lieu de marmelade d'oranges, ou servir accompagné d'une sauce aux pommes épicée et chaude.

Crêpes Melba

8 crêpes

1 paquet de 283g de framboises surgelées

1 paquet de 283g de pêches surgelées ou 4 pêches fraîches pelées et tranchées

1 cuil. à soupe de farine de maïs

1 cuil. à soupe d'eau

Glace à la vanille légèrement ramollie, (8 cuillerées)

Décongeler les fruits. Faire chauffer les framboises dans une casserole. Egoutter les pêches si elles étaient congelées. Combiner la farine de maïs et l'eau, puis ajouter les framboises. Faire cuire jusqu'à ce que la sauce ait épaissi et soit devenue claire, puis ajouter les pêches. Verser de la glace sur une crêpe à l'aide d'une cuillère, face dorée vers le haut, plier les bords de la crêpe de manière à recouvrir la glace et servir de suite accompagné de la sauce chaude.

Gâteau Mocha

1 pile de crêpes (environ 16)

1 paquet de 155g de dessert instantané à la vanille

1 tasse de crème épaisse

2 cuil. à soupe de sucre glace

2 cuil. à soupe de cacao

1 cuil. à soupe de café instantané en poudre

Préparer le dessert instantané en suivant les indications du paquet et le laisser reposer jusqu'à ce qu'il se solidifie. Combiner les ingrédients restants et les fouetter à grande vitesse jusqu'à ce que la crème devienne ferme, puis réfrigérer. Placer une crêpe sur un plat de service et étaler une fine couche de crème dessert à l'aide d'une spatule. (Ne pas brasser la crème dessert). Placer une autre crêpe par dessus et étaler la crème dessert. Répéter ces étapes pour l'ensemble des crêpes. Glacer les crêpes (le haut et les côtés) à l'aide du glaçage à la crème fouettée. Réfrigérer jusqu'au moment de servir. Couper en morceaux de 5cm à l'aide d'un couteau. Ne pas conserver plus de 12 heures car la crème dessert pourrait se liquéfier.

Variantes : Remplacer la crème dessert instantanée par de la crème dessert au chocolat ou au citron, et de la crème fouettée sucrée. Recouvrir d'amandes effilées grillées.

Fruits et yaourt

Crêpes

Yaourt nature ou vanille

Garniture confiture de fruits, sirop, compote ou sundaes

Pour un dessert rapide, diluer toute sorte de confiture de fruits ou de compote dans de l'eau ou du jus d'orange (utiliser le sirop ou la garniture sans diluer). Chauffer et brasser pendant une à deux minutes dans une casserole. Placer plusieurs cuillerées de yaourt dans la crêpes (face dorée vers le haut), puis la rouler. Recouvrir de sauce chaude à la cuillère.

Crêpes Suzettes

1 pile de crêpes (environ 16)

½ tasse de beurre ou margarine non salé(e)

4 cuil. à soupe de sucre

½ tasse de jus d'orange

1 cuil. à café de zeste d'orange râpé

¼ de cuil. à café de zeste de citron râpé

¼ de tasse de liqueur d'orange (Cointreau ou Grand Marnier)

2 cuil. à soupe de rhum ou de cognac

Faire la sauce dans un plat au bain-marie de table ou dans une large poêle à feu doux, en ajoutant les ingrédients en brassant, jusqu'à ce que le beurre ou la margarine fondent. Ajouter 3 cuillerées à soupe de liqueur d'orange. Plier les crêpes en quatre et les disposer dans la sauce. Faire cuire à petits bouillons pendant 10 minutes, à feu doux, en tournant les crêpes et en les recouvrant de sauce régulièrement. Verser la liqueur restante, rhum ou cognac, au centre (sans brasser). Laisser chauffer pendant une minute.

Crêpes rapides

Idées d'entrées, de desserts et de plats de fêtes « instantanés ».

Remplir les crêpes d'un fourrage à pie chaud (pommes, cerises, myrtilles), rouler les crêpes et les servir garnies de glace ou de crème fouettée.

Pour créer un plat d'accompagnement des viandes délicieux, faire frire des oignons et des champignons frais dans du beurre, remplir les crêpes, les rouler et conserver au chaud jusqu'au moment de servir.

Humidifier du 'corned beef' ou du rôti de bœuf avec du lait ou du bouillon, jusqu'à ce qu'il puisse être tartiné. Verser dans les crêpes à la cuillère, les rouler et brosser avec du beurre fondu. Faire cuire au four jusqu'à ce que les crêpes soient chaudes.

Les restes de crêpes s'accommodent très bien en « pâtes » dans la soupe. Il suffit de rouler les crêpes très serrées, et de les couper dans la largeur. Ajouter à la soupe juste avant de servir.

Remplir des crêpes de fruits frais de toute sorte combinés à du yaourt, pour le petit déjeuner.

Les crêpes pliées en quatre peuvent être réchauffées dans du sirop d'érable ou du miel délayé dans du jus d'orange.

Le thon ou saumon en boîte accompagné d'une sauce blanche épaisse (crémeuse) sont également délicieux. Rouler les crêpes et les faire cuire au four jusqu'à ce qu'elles soient chaudes.

Pour un assaisonnement supplémentaire, trancher des olives mûres, couper des piments en petits cubes et trancher des œufs durs. Ajouter du jus de citron en fonction de vos préférences.

En entrée pour une soirée, laissez vos invités garnir leurs crêpes comme ils l'entendent, en organisant différentes sauces froides. Il suffit ensuite de plier les crêpes en quatre avant de les manger.

INDEX DES RECETTES

| | | | |
|---|----|--|----|
| Bananes sauce au vin | 51 | Crêpes Suzettes | 56 |
| Beurre de cacahouètes | 51 | Eggrolls de porc ou de poulet | 43 |
| Blinis | 42 | Enchiladas mexicaines | 49 |
| Blintzes | 42 | Fromage frais "et cetera" | 40 |
| Crêpes à la dinde "Hash" | 50 | Fruits et yaourt | 56 |
| Crêpes à la farine de maïs | 39 | Gâteau Mocha | 55 |
| Crêpes à la Florentine | 46 | Jambon et œufs sauce hollandaise | 46 |
| Crêpes au poulet au curry | 44 | « Mincemeat » sauce au rhum | 52 |
| Crêpes aux champignons frais | 45 | Orange et crème Fromage frais Palascintas | 54 |
| Crêpes aux fruits de mer | 48 | Pâte de base | 38 |
| Crêpes aux myrtilles | 53 | 'Pigs in Blankets' | 11 |
| Crêpes boeuf Stroganoff | 44 | Préparation pour crêpes au sarrasin | 39 |
| Crêpes extra pour les enfants | 51 | Ragoût de lasagnes | 50 |
| Crêpes fermentées et fraises | 52 | Salami Suisse | 41 |
| Crêpes Manicotti | 47 | Tacos | 41 |
| Crêpes Melba | 55 | | |
| Crêpes plus riches, au goût d'œuf plus prononcé | 39 | | |
| Crêpes Sundae | 51 | | |

REMARQUE IMPORTANTE

*Si un élément est manquant ou défectueux,
NE renvoyez PAS ce produit.*

*Veuillez appeler notre Service Clientèle pour
obtenir de l'aide.*

*au **800-233-9054** du lundi au vendredi de
9h00 à 17h00 Heure du Centre*

Nous vous en remercions

GARANTIE LIMITEE D'UN AN

Garantie : Ce produit Maxim® est garanti par Salton Inc. contre les défauts de matériaux et de fabrication pour une période de (1) an à compter de la date d'achat d'origine. La garantie de ce produit couvre uniquement l'acheteur initial du produit.

Application de la Garantie : Cette garantie sera considérée nulle si le produit a été endommagé par accident durant le transport, par un usage excessif, par usage abusif, suite à une négligence, une réparation non conforme, un usage commercial, des réparations entreprises par du personnel non agréé, l'usure normale, ainsi qu'à cause de l'usure, d'un assemblage non conforme, ou d'une installation ou de réparations négligentes, ou de tout autre cause ne relevant pas de défauts de matériaux ou de fabrication. Cette garantie est valable uniquement lorsque le produit a été acheté et utilisé aux Etats-Unis, elle ne s'applique pas aux appareils qui auraient été utilisés d'une manière non conforme aux instructions écrites stipulées, ni aux appareils ayant fait l'objet de modifications, ni aux produits ou à des pièces endommagés de la sorte, et dont le numéro de série a été retiré, modifié, effacé, ou rendu illisible.

Garantie implicite : TOUTE GARANTIE IMPLICITE EN LA POSSESSION DE L'ACHETEUR, EST LIMITEE A UNE DUREE DE UN (1) AN A PARTIR DE LA DATE D'ACHAT. Certains états n'autorisent pas les limitations de garantie concernant la durée d'une garantie implicite, en conséquence, les limitations mentionnées ci-dessus ne s'appliquent pas à tous les cas.

Exécution de la Garantie : Durant la période de garantie de un an mentionnée ci-dessus, tout produit défectueux sera soit réparé, soit remplacé par un modèle équivalent reconditionné (selon la décision de la société) lorsque le produit est réexpédié au centre SAV, soit remboursé du montant indiqué sur le ticket de caisse. Le produit réparé ou de remplacement sera garanti pour le restant de la période de garantie de un an, ainsi qu'une période d'un mois supplémentaire. Il ne sera prélevé aucun frais pour ce type de réparation ou de remplacement.

Service après-vente et réparations : Si l'appareil ne fonctionne pas correctement, veuillez tout d'abord appeler le numéro vert 1 (800) 233-9054 entre 9h00 et 17h00, Heure GMT - 6, et demander le SERVICE CLIENT, en indiquant que vous possédez un appareil défectueux. Veuillez mentionner le numéro de modèle CM5C lors de votre appel.

SAV sous garantie (USA) : Il n'y a aucun frais de SAV et d'expédition pour un appareil sous garantie. Appeler afin d'obtenir l'autorisation de retour de l'appareil (1 (800) 233-9054.

SAV hors garantie (USA) : Des frais forfaitaires de SAV hors garantie sont établis en fonction du modèle. Ils comprennent la somme de 10 dollars américains pour couvrir les frais d'expédition et de manutention. Vous serez informé des frais de SAV par courrier. Ces frais doivent être réglés à l'avance dans le cas d'une réparation ou d'un produit de remplacement.

Produits achetés aux Etats-Unis et utilisés au Canada : Retourner le produit assuré, en veillant à ce qu'il soit correctement emballé, et en réglant auprès de nos services, les frais d'affranchissement et d'assurance à l'avance, à l'ordre de l'adresse aux Etats-Unis mentionnée ci-dessous. Veuillez noter que tous droits de douane/frais d'assurance sont à votre charge, et que vous devez vous acquitter des frais de droits de douane/ d'assurance à l'avance, auprès de nos services.

Risques encourus durant le transport : Nous ne sommes nullement responsables des pertes ou dégâts causés durant le transport jusqu'à notre établissement. Pour votre protection, nous vous conseillons d'emballer soigneusement le produit et de l'assurer auprès de l'établissement se chargeant de l'expédition. Veuillez à bien inclure les éléments suivants : Tout accessoire lié au problème, votre adresse complète ainsi qu'un numéro de téléphone auquel on peut vous joindre pendant les heures ouvrables, une note décrivant le problème, une photocopie du ticket de caisse, ou toute autre preuve d'achat permettant de déterminer le statut de la garantie du produit. Les envois en contre-remboursement ne sont pas acceptés.

Adresse de réexpédition de l'appareil :

Pour nous contacter,

veuillez nous faire parvenir un courrier ou nous appeler :

Attn:

Repair Center

Salton, Inc.

708 South Missouri Street

Macon, MO 63552

Email: Salton@Saltonusa.com

Salton, Inc.

P.O. Box 7366

Columbia, MO 65205-7366

1(800) 233-9054

Limitation du recours: Aucun représentant ni personne n'est autorisé à prendre en charge toute responsabilité incombant à Salton, Inc., en relation avec la vente de nos produits. Les défauts, absences de fonctionnement, ou défaillances d'appareils, ne peuvent nullement faire l'objet de compensations suite à préjudice, contrat, ou loi commerciale, y compris, et non limitées à la négligence, la responsabilité stricte, une rupture de garantie, ou une rupture de contrat. Les réparations, remplacements ou remboursements constituent les uniques recours de l'acheteur selon les termes de la présente garantie. **Salton ne peut en aucun cas être tenue responsable des dégâts, pertes, ou frais accidentels ou consécutifs.** Certains états n'autorisent pas les exclusions ou limitations des dégâts accidentels ou consécutifs. En conséquences, les limitations ou exclusions mentionnées ci-dessus ne s'appliquent pas à tous les cas.

Droits juridiques : La présente garantie vous confère des droits juridiques spécifiques qui sont dans certains cas complétés par d'autres droits, en fonction des états.

Pour plus amples informations concernant les produits Salton

Visitez notre site web à : www.salton-maxim.com

LEA Y GUARDE ESTAS INSTRUCCIONES

ADVERTENCIA: Todos los electrodomésticos presentan el riesgo de incendio y de electrocución, con la capacidad de provocar lesiones importantes o incluso la muerte. Por favor siga todas las instrucciones de seguridad.

Crepera Eléctrica Inalámbrica

**GUIA DE USO Y CUIDADOS
MODELO CM5C**



MAXIM
great ideas for good times™

MEDIDAS DE SEGURIDAD IMPORTANTES

Cuando utilice aparatos eléctricos, siempre siga las precauciones básicas de seguridad, para reducir el riesgo de incendio, electrocuciones y lesiones a personas, incluyendo las siguientes:

- Lea todas las instrucciones antes de utilizar el aparato.
- No toque las superficies calientes. Utilice las asas o las perillas.
- Para evitar una descarga eléctrica, no sumerja la base o el cuerpo de la unidad en agua o en otro líquido. Solo la superficie de cocción superior debe entrar en contacto con la mezcla. Vea las instrucciones para la limpieza.
- Es necesario ejercer una estricta supervisión cuando cualquier aparato se utilice cerca de los niños.
- Este aparato no debe ser utilizado por niños.
- Desenchufe del tomacorriente cuando no esté en uso y antes de la limpieza. Permita que el aparato se enfríe antes de quitarle o ponerle piezas y antes de limpiarlo.
- No utilice ningún aparato dañado. No opere con un cable o clavija dañada, o después de que el aparato funcione mal, o si se ha dejado caer o ha resultado dañado de cualquier manera. Contacte el Departamento de Servicio al Consumidor para una autorización de devolución, inspección, reparación o ajuste.
- Para evitar lesiones, use solamente los accesorios recomendados por el fabricante.
- No lo utilice en exteriores o mientras se encuentre en un área húmeda.
- No permita que el cable cuelgue sobre el borde de la mesa o mostrador ni que toque superficies calientes.
- No lo coloque encima o cerca de un quemador caliente, eléctrico o de gas, o en un horno caliente.
- Para desconectar, coloque el interruptor en la posición "OFF" (Apagado), luego desconecte del tomacorriente.
- No use el aparato para un uso diferente al especificado.

GUARDE ESTAS INSTRUCCIONES

PRECAUCION: Se incluye un cable eléctrico corto para reducir el riesgo de lesiones personales resultantes de enredarse o tropezar con un cable eléctrico demasiado largo. Puede conseguir cables de extensión en las ferreterías de su localidad y pueden ser usados si se ejercen las precauciones debidas. Si se requiere utilizar un cable de extensión, es necesario tomar especial cuidado y precaución. Además, el cable deberá: (1) Estar marcado con un grado eléctrico de al menos 125 V, 10 A, 1.250 W y (2) el cable debe colocarse de tal forma que no cuelgue sobre la superficie de la mesa o mostrador, donde los niños puedan jalarlo o alguien se pueda tropezar accidentalmente.

CLAVIJA POLARIZADA: Este aparato incluye una clavija polarizada, una de sus patas es más ancha que la otra. Como una medida de seguridad para reducir el riesgo de descargas eléctricas, esta clavija está diseñada para conectar solamente de una manera en un tomacorriente polarizado. Si la clavija no conecta completamente en el tomacorriente, inviértala. Si aún no conecta bien, consulte un electricista calificado. No intente alterar esta medida de seguridad.

CORRIENTE ELECTRICA: Si el circuito eléctrico está sobrecargado con otros aparatos, su aparato puede que no funcione apropiadamente. Este deberá ser operado en un circuito eléctrico separado del resto de los demás electrodomésticos.

Este producto es para uso doméstico solamente.

Notas Acerca de las Crepas y su Mezcla

Algunos dicen "crepas", otros "crepes" (como su nombre en francés). Sin importar como lo pronuncie, éstas son una "envoltura" deliciosa para casi cualquier relleno que se pueda imaginar.

Son una fácil y creativa forma de hacer rendir los ingredientes caros o los sobrantes...

como aperitivo en las fiestas, un plato fuerte o un postre que hará de su comida algo memorable...

una merienda "instantánea" o un rico desayuno dominical, usando crepas refrigeradas o congeladas...

un aperitivo divertido y fácil de preparar para sus invitados, ellos mismos pueden "decorar" sus propias crepas a su antojo...

una delicada y ligera alternativa para pasta en platillos que requieran lasaña, canelones, manicotti y hasta tallarines...

la forma perfecta de hacer más apetitosa la comida de los niños, como una cena para una o dos personas y para esas noches en las que no sabe que preparar...¡son más fáciles de preparar y de servir de lo que su familia, sus invitados o **hasta usted** se imaginan!

Las crepas tienen una historia internacional muy larga. Nadie sabe quien realmente inventó la primera crepa. Probablemente evolucionó a través de los siglos de una sencilla mezcla de harina y agua, aplastada y cocinada sobre el fuego para sostener los alimentos, mucho antes que se inventaran los cubiertos (¡o los sándwiches!). Entre sus sabrosos descendientes, podemos incluir a las Tortillas Mexicanas, los Blinis Rusos, los Blintzes Judíos, las Palascintas de Hungría, los Egg Rolls Chinos, el Manicotti Italiano y los hotcakes de cada país. El término "crêpes" es originaria de Francia donde las crepas son cocinadas cada año durante el "Chandeleur", una celebración religiosa de origen pagano. Brittany, una región al norte de Francia, es famosa por sus crepas las cuales son servidas con varios rellenos dulces o salados para el deleite de los turistas y lugareños.

Hay muchos tipos de crepas y diferentes clases de rellenos y salsas que puede preparar a su antojo - ¡quizás hasta pueda inventar un nuevo platillo!

En todas las mezclas para crepas, las proporciones de harina, huevos y líquido pueden variar para producir una crepa delgada y delicada; una mucho más gruesa y resistente o cualquier crepa rica en huevo. El añadir mantequilla o margarina les añade sabor y las hace más fáciles de sacar de la sartén. Puede que el aceite haga que las crepas se peguen ligeramente. El azúcar las hace más crujientes pero hace que se quiebren al enrollarlas.

Ya que las crepas para postre tienen un relleno y/o salsa dulce, puede utilizar una mezcla básica sin azúcar para las crepas que desee doblar o enrollar.

Nota: El producto puede variar un poco en relación con la ilustración.

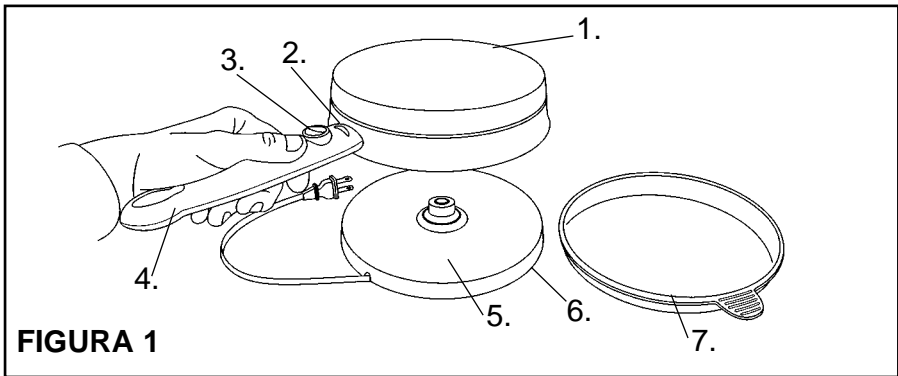


FIGURA 1

- | | |
|--|---|
| 1. Superficie de Cocción antiadherente | 5. Base Inalámbrica de 182°C |
| 2. Luz Indicadora | 6. Almacén del Cable Alrededor de la base (no mostrado) |
| 3. Interruptor de Encendido/Apagado | 7. Bandeja Inmersora |
| 4. Mango Frío al Tacto | |

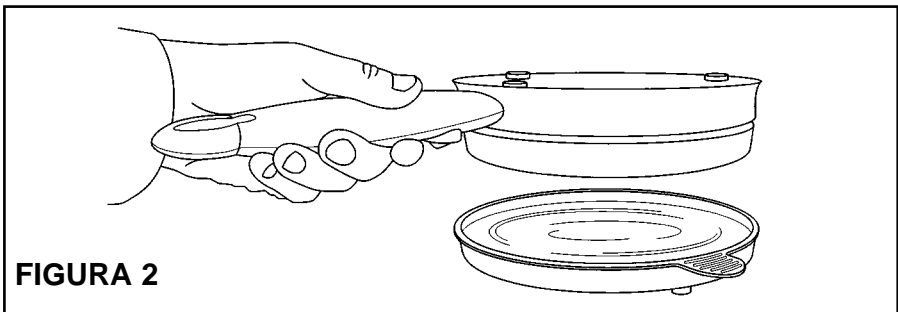


FIGURA 2

Cómo Usar su Crepera Inalámbrica

1. Antes de usar, limpie la superficie de cocción antiadherente con un trozo de tela húmedo y seque.
2. Coloque la crepera en la base inalámbrica.
3. Enchufe en un tomacorriente de 120 V ~ 60 Hz.
4. Coloque el interruptor en encendido. La Luz Indicadora roja se encenderá.
5. Permita que la crepera se precaliente hasta que la Luz Indicadora roja se apague.
6. Prepare la mezcla de la crepa según la receta. Vierta la mezcla en la bandeja inmersora. No la llene demasiado.
7. Tenga un plato limpio listo para colocar las crepas cocinadas.

8. Sujetando el mango de la crepera, voltee la unidad y meta la superficie de cocción antiadherente dentro de la mezcla (como se muestra en la FIGURA 2), girándola levemente por un momento. No la vuelva a meter.
9. Voltee la crepera a la posición original y colóquela en la base.
10. La Luz Indicadora roja se encenderá. La crepa estará lista cuando se dore ligeramente de los bordes y cuando haya casi dejado de humear - aproximadamente un minuto. Durante el proceso de cocción, la luz indicadora se encenderá y apagará.
11. Voltee la crepera sobre el plato. Si la crepa no cae, afloje los bordes con una espátula de plástico. No es necesario dorar el otro lado.

NOTA: No use utensilios de metal ya que estos rayarán la superficie antiadherente de la crepera.

12. Continúe haciendo crepas, repitiendo los pasos 8-11.

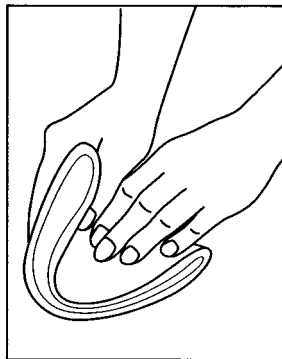
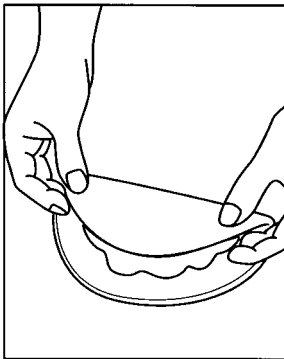
Nota: La variación de los ingredientes o los gustos individuales en cuanto al color de las crepas afectarán el tiempo de cocción.

Sugerencias:

- Apile las crepas conforme las vaya preparando. Mantenga las crepas húmedas cubriéndolas con una toalla de papel o papel de aluminio. Esto no es necesario para las crepas que van a rellenarse y/o servirse con alguna salsa y luego calentarse.
- La primera o segunda crepa puede quedar muy delgada o con orificios, especialmente si la mezcla queda espumosa después de batirla con una batidora. La última crepa puede no adherirse a la crepera si la mezcla no es muy profunda y la superficie antiadherente toca el fondo de la bandeja.
- Si las crepas se adhieren a la superficie antiadherente, revise la receta - las recetas que utilizan aceite en lugar de mantequilla o margarina o las recetas que incluyen azúcar pueden adherirse un poco. Unte la superficie antiadherente con un poco de mantequilla usando una toalla de papel antes de la primera crepa o entre cada preparación.
- Si la crepera es metida y mantenida dentro de la mezcla por mucho tiempo, la mezcla no se adherirá a la superficie antiadherente. Este procedimiento deberá tomar solo algunos segundos.
- La crepa tardará de 45-60 segundos para cocinarse.
- Los bordes de la crepa pueden comenzar a "enroscarse" cuando estén listas. El centro de la crepa puede que tenga una apariencia "mojada" cuando termine de cocinarse.

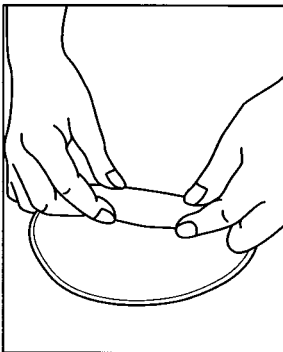
Cómo Servirlas

Comenzando con una pila de crepas planas, usted puede usarlas de diferentes maneras, dependiendo de si quiere unas crepas sencillas bañadas en alguna salsa o unas crepas rellenas más elaboradas. Pueden servirse frías, tibias o calientes, horneadas, asadas o fritas en aceite. Aquí le presentamos algunas ideas de como manejar las crepas. Vea las recetas para las maneras de usar diferentes formas.



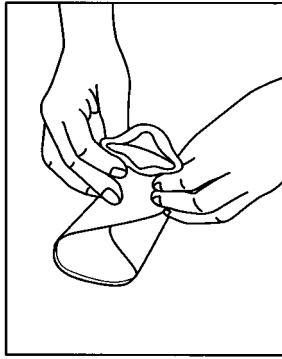
**FIGURA 3 -
Crepas Dobladas
en Cuartos**

Las crepas se doblan en cuartos...cuando se sirven solas (o untadas con una capa delgada de relleno) y bañadas con una salsa, o se usan recién hechas para acompañarlas con una salsa como aperitivo.



**FIGURA 4 -
Crepas Enrolladas**

Las crepas enrolladas se utilizan...cuando se rellenan con varias cucharadas de algún ingrediente o mezcla de postre y se hornear o se asan, o se llenan de mousse, helado o crema batida.



**FIGURA 5 -
Crepas Envueltas**

Las crepas se envuelven...como un sobre pequeño cuando se usan como aperitivos, platillos tipo ravioles y todo tipo de botanas fritas.

O apiladas . . para hacer un pastel (tarta) o un platillo con los rellenos e ingredientes apropiados, servidas calientes o frías.

Cómo Mantener las Crepas Tibias

Si quiere servir las crepas tibias sin hornearlas, asarlas o freírlas, simplemente cubra la pila de crepas conforme las vaya preparando con un papel de aluminio. O coloque una rejilla de alambre sobre una sartén que contenga 2,5 cm de agua hirviendo.

Congele o Refrigere

Las crepas pueden conservarse por hasta un mes en el congelador o por una semana en el refrigerador. Simplemente apile una cantidad de crepas sobre papel de aluminio o papel encerado, meta dentro de una bolsa grande de almacenaje, selle y asegure la abertura, sacando la mayor cantidad de aire posible. Para usar, permita que las crepas alcancen la temperatura ambiente. Podrá despegarlas al jalarlas cuidadosamente. Si tiene prisa, las crepas pueden envolverse en papel de aluminio sobre un recipiente plano y calentarse dentro del horno a temperatura baja.

Limpieza y Cuidados

NOTA: NO SUMERJA NINGUNA PARTE DE LA CREPERA EN AGUA U OTRO LIQUIDO.

1. Antes de limpiar, apague el interruptor y desconecte del tomacorriente.
2. Permita que la crepera se enfríe ligeramente. La unidad es más fácil de limpiar cuando está un poco tibia.
3. Limpie la superficie antiadherente con un trozo de tela suave. Si no puede quitar la mezcla adherida, frote con un poco de aceite o mantequilla derretida. Permita que permanezca por 5 minutos, luego limpie con un trozo de tela húmedo. Las otras partes pueden limpiarse con un trozo de tela suave humedecido.
4. Siempre limpie después de cada uso para prevenir una acumulación de mezcla adherida.

NOTA: No use abrasivos en la superficie de cocción antiadherente.

Cualquier tipo de servicio que requiera desensamblar el aparato, excepto por las tareas de limpieza antes mencionadas, deberá ser practicado por un centro de servicio autorizado.

Recetas

Le sugerimos que comience con las recetas de las mezclas dadas aquí - todas se preparan de maravilla en su crepera. Se doblan o enrollan bien y se conservan durante semanas en el congelador y durante días en el refrigerador.

La mezcla puede usarse inmediatamente. Sin embargo, si se deja reposar por una o dos horas, ésta producirá crepas un poco más blandas. O refrigere la mezcla por hasta tres días para usarla conforme la necesite.

Mezcla Básica

1 taza de harina para todo uso

2 huevos

½ taza de leche

½ taza de agua

¼ de cdita. de sal

2 CDAS. de mantequilla o margarina, derretida

Coloque los ingredientes en la batidora en el orden listado. Bata por 30 segundos, pare y revuelva por los lados. Mezcle 30-60 segundos hasta homogeneizar. O mezcle en un tazón con un batidor de alambre o mezcladora, combinando primero la harina y los huevos, añadiendo el líquido de forma gradual. Bata hasta homogeneizar; agregue los otros ingredientes. Se obtienen 16 crepas.

NOTA: Mida cuidadosamente la harina y el líquido, ya que la consistencia de la mezcla es muy importante. (Debe tener la consistencia de una crema líquida espesa.) Coloque cucharadas de la harina dentro de la taza de medidas y nivele con el borde recto de un cuchillo o espátula.

Variaciones

Crepas Más Ricas en Huevo

1 taza de harina para todo uso, precernida
3 huevos
 $\frac{3}{4}$ de taza de leche
 $\frac{3}{4}$ de taza de agua
 $\frac{1}{4}$ de cdita. de sal
2 CDAS. de mantequilla o margarina, derretida

Crepas de Harina de Maíz

Deliciosas con relleno estilo mexicano cualquier otro tipo de relleno:

$\frac{1}{2}$ taza de harina de maíz amarillo
 $\frac{1}{2}$ taza de agua hirviendo
3 huevos
 $\frac{1}{2}$ cdita. de sal
 $\frac{1}{2}$ taza de harina para todo uso
2 CDAS. de mantequilla o margarina, derretida
 $\frac{3}{4}$ de taza de leche

Combine la harina de maíz el agua hirviendo y revuelva hasta homogeneizar. Deje enfriar ligeramente. Combine los huevos, la sal, la harina y la mantequilla hasta homogeneizar. Agregue la leche y mezcle hasta homogeneizar. Revuelva la mezcla ocasionalmente al prepararlas si la harina de maíz se asienta en el fondo.

Mezcla de Trigo Sarraceno para Hotcakes

Se obtiene una sabrosa crepa de trigo como plato fuerte y para relleno de frutas:

1 taza de mezcla de harina de trigo sarraceno para hotcakes (ó $\frac{2}{3}$ de taza de trigo sarraceno y $\frac{1}{2}$ cucharadita de sal)
1 huevo
1 taza de leche
3 CDAS. de mantequilla o margarina, derretida

NOTA: Puede sustituir por una mezcla para hotcakes regular. Ya que las mezclas varían, puede que sea necesario agregar un poco más de leche.

Salchichas de Puerco Cubiertas

16 crepas

Salchichas de puerco (precocidas y doradas) o frankfurters cortadas a la mitad

Mostaza Preparada

Aceite

Doble y enrolle la crepa (con el lado dorado por dentro) alrededor de la salchicha bañada con mostaza. Caliente una sartén con 6 mm de aceite a temperatura media hasta que esté caliente pero no humeante. Fría las crepas, unas cuantas por vez en el aceite caliente, colocando el dobléz hacia abajo, luego voltee. Tenga cuidado ya que se dorarán rápidamente. Sírvalas calientes.

Nota: Como aperitivos, corte en trozos de 3,2 cm a 5 cm, asegúrelos con picadientes.

Queso Crema "etcétera"

16 crepas

1 paquete 226 g de queso crema

Condimentos: Puede usar aceitunas rebanadas, trocitos de tocino, filete o pasta de anchoas, unas gotas de salsa Worcestershire, jalea, rábano picante, o cualquier otro ingrediente que vaya bien con el queso crema.

Aceite

Corte el queso crema enfriado en aproximadamente 16 trozos (de 14 g); coloque un trozo en el centro de cada crepa (con el lado dorado hacia arriba). Coloque uno de los ingredientes encima. Doble las crepas en forma de sobre y colóquelas en un plato con el dobléz hacia abajo. Caliente una sartén con 6 mm de aceite a temperatura media hasta que esté caliente pero no humeante. Fría las crepas, unas cuantas por vez en el aceite caliente, colocando el dobléz hacia abajo, luego voltee. Tenga cuidado ya que se dorarán rápidamente. Elimine el exceso de grasa colocándolas sobre una toalla de papel y sírvalas calientes.
Nota: Son unos aperitivos divertidos y fáciles de preparar.

Salami y Queso Suizo

Crepas

Rebanadas de queso suizo

Rebanadas de salami (o jamón hervido)

Corte el queso y el salami en tiras delgadas de 6 mm de ancho y aproximadamente 7 cm de largo o menos. Coloque 4-5 tiras de cada uno en el centro (lado dorado hacia abajo) de cada crepa. Doble y enrolle la crepa con el relleno. Caliente una sartén con 6 mm de aceite a temperatura media hasta que esté caliente pero no humeante. Fría las crepas, unas cuantas por vez, colocando el doblez hacia abajo, luego voltee. Tenga cuidado ya que se dorarán rápidamente. Elimine el exceso de grasa colocándolas sobre una toalla de papel y sírvalas calientes.

Tacos

16 crepas de harina de maíz

453 g de carne molida

2 cebollas pequeña, picadas finamente

1 sobre de Sazón para Tacos (35 g)

$\frac{3}{4}$ - 1 taza de agua

(vea la receta del relleno en el paquete para determinar la cantidad)

Salsa para tacos

Ingredientes opcionales: lechuga picada, queso rallado, tomates picados. Sírvales con estos ingredientes

En una sartén grande, dore y cocine la carne y las cebollas hasta que la carne se desmorone y las cebollas estén blandas. Elimine el exceso de grasa. Agregue el sazón y el agua; hierva por 15-20 minutos. Coloque una o dos cucharadas copeteadas del relleno caliente en el centro de cada crepa; con el lado dorado hacia afuera. Enrolle las crepas sobre el relleno y manténgalas calientes en el horno. Sírvales acompañadas de la salsa.

Blinis

- 16 crepas de trigo sarraceno, tibias
- 1 frasco de 113 g de caviar rojo
- 236 mL de crema ácida
- 3 huevos cocidos, picados finamente
- 1 cebolla grande, picada finamente

Use crepas recién hechas, o tibiélas en el horno a temperatura baja si han estado congeladas o refrigeradas. Combine el caviar y la crema ácida y coloque la mezcla en un tazón. Coloque el huevo y la cebolla en tazones. Deje que los invitados se sirvan y preparen sus propias crepas.

Blintzes

- 16 crepas
- 2 tazas de queso cottage
- 1 huevo, bien batido
- 1 CDA. de azúcar
- 1 cdita. de ralladura de cáscara de limón

Combine el queso, el huevo, el azúcar y la ralladura. Coloque una cucharada de la mezcla en el centro de cada crepa, con el lado dorado hacia arriba. Doble los lados de la crepa sobre el relleno formando un sobre. Colóquelas en un plato con el doblez hacia abajo. Caliente una sartén con 6 mm de aceite a temperatura media hasta que esté caliente pero no humeante. Fría los blintzes, unos cuantos por vez, colocando el doblez hacia abajo, luego voltee. Tenga cuidado ya que se dorarán rápidamente. Elimine el exceso de grasa colocándolos sobre una toalla de papel y sírvales calientes. Si lo desea, sírvales con crema ácida, puré de manzana, fruta fresca o azúcar glass.

Eggrolls de Cerdo o Pollo

16 crepas

2 tazas de carne de puerco o pollo picada finamente

1 lata de 453 g de chow mein de pollo o sin carne

1 CDA. de salsa de soya

2 CDAS. de aceite

Mostaza preparada, picante o regular

Salsa:

1 CDA. de fécula de maíz

1 CDA. de agua

1 taza de caldo de pollo

1 CDA. de salsa de soya

1 CDA. de vino de Jerez seco

½ cdita. de azúcar

sal y pimienta al gusto

En un tazón, combine el cerdo o el pollo, el chow mein y la salsa de soya. Coloque una o dos cucharadas copeteadas en el centro de cada crepa, con el lado dorado hacia adentro. Doble las crepas sobre el relleno y colóquelas en un plato con el dobléz hacia abajo. Caliente aceite en una sartén a temperatura media hasta que esté caliente pero no humeante. Fría las crepas, unas cuantas por vez, colocando el dobléz hacia abajo, luego voltee. Tenga cuidado ya que se dorarán rápidamente. Elimine el exceso de grasa colocándolas sobre una toalla de papel y sírvalas calientes con mostaza o salsa china. Pueden servirse con arroz caliente y una ensalada de pepinos y zanahorias ralladas.

Para preparar la salsa: En una sartén pequeña, combine la fécula de maíz con el agua. Agregue los ingredientes restantes; hierva hasta que espese, revolviendo constantemente.

Crepas de Pollo al Curry

16 crepas

4 CDAS. de mantequilla o margarina

1 cebolla mediana, picada

1 taza de apio picado finamente

2 CDAS. de harina para todo uso

½ cdita. de sal

¼ de cdita. de pimienta

2 cditas. de curry en polvo

1 taza de caldo de pollo

3 tazas de carne de pollo picada

½ taza de crema ácida o espesa

Decore con: Chutney, cacahuates, coco rallado, trocitos de tocino.

Precalente el horno a 180°C. Derrita la mantequilla en una sartén grande; agregue la cebolla y el apio y sofríalos hasta que queden suaves y crujientes. Agregue la harina y los condimentos y cocine por 5 minutos. Agregue el caldo hierva hasta que espese. Saque del fuego y agregue el pollo y la crema. Coloque una o dos cucharadas copeteadas de la mezcla en el centro de cada crepa; con el lado dorado hacia afuera. Enróllelas y colóquelas con el doblez hacia abajo en molde engrasado de 33 cm x 22 cm. Unte o rocíelas con mantequilla derretida. Hornee de 20-25 minutos o hasta que se calienten. Decore con los ingredientes.

Crepas "Beef Stroganoff"

16 crepas

¼ de taza de mantequilla o margarina

½ taza de cebolla picada finamente

453 g de carne molida

(ó 2 tazas de rosbif cocido picado finamente)

2 CDAS. de harina para todo uso

2 cditas. de sal

¼ de cdita. de pimienta

¼ de cdita. de paprika

1 lata de 297 g de sopa de crema de hongo condensada

1 taza de crema ácida

Decore con: Crema ácida, perejil o cebollinos picados

Crepas "Beef Stroganoff" (Continuación)

Precalente el horno a 176°. En una sartén a temperatura media, derrita la mantequilla, agregue las cebollas y fría hasta que se doren. Agregue la carne y los siguientes cuatro ingredientes. Dore y revuelva hasta que la carne se dore. Agregue la sopa sin diluir; hierva por 10 minutos, revolviendo ocasionalmente. Saque del fuego y agregue la crema. Coloque una o dos cucharadas copeteadas de la mezcla en el centro de cada crepa; con el lado dorado hacia afuera. Enróllelas y colóquelas con el doblez hacia abajo en un molde untado con mantequilla de 33 cm x 22 cm. Unte o rocíelas con mantequilla derretida. Hornee de 15-20 minutos o hasta que se calienten. Sirva con los ingredientes decorativos.

Crepas de Champiñones

16 crepas
453 g de champiñones frescos
¼ de taza de leche
½ cdita. de sal
¼ de cdita. de pimienta
½ cdita. de sal sazónada
2 paquetes de caldo de res en polvo
4 CDAS. de vino blanco seco
1 taza de crema ácida
2 CDAS. de cebollinos picados

Rebane los champiñones y sofríalos en una sartén con mantequilla por aproximadamente 4 minutos. Agregue sal, pimienta, sal sazónada, los paquetes de caldo de res y el vino. Cocine a temperatura media varios minutos. Agregue la crema ácida y los cebollinos. Caliente pero no permita que hierva. Coloque aproximadamente 4 cucharadas de la mezcla de champiñones y de salsa en el centro de las crepas, con el lado dorado hacia afuera y dóblelas.

Huevo y Jamón a la Holandesa

16 Crepas básicas o de trigo sarraceno
Rebanadas de jamón hervido, preferentemente circulares
Huevos cocidos, rebanados (o huevos revueltos)
Espárragos, cocidos frescos o congelados (opcional)
Mantequilla o margarina derretida
Salsa Holandesa (aproximadamente ¼ de taza por crepa)

Precalente el horno a 176°C. Prepare la cantidad deseada de crepas colocando una rebanada de jamón en cada crepa, con el lado dorado hacia afuera. Si es necesario, corte las rebanadas de jamón para que quepan. Coloque 4-5 rebanadas de huevo o una cucharada copeteada de huevos revueltos y 2 ó 3 espárragos en el centro. Coloque una cucharada de salsa holandesa. Enrolle y coloque la crepa con el doblez hacia abajo en molde engrasado de 33 cm x 22 cm. Unte o rocíelas con mantequilla derretida. Hornee de 10-15 minutos o hasta que se calienten. Sírvalas con salsa holandesa o salsa de queso tibia adicional.

Crepas Florentina

10-12 crepas
1 paquete de 283 g de espinacas picadas congeladas
4 CDAS. de mantequilla o margarina
3 CDAS. de harina para todo uso
1 taza de leche
½ cdita. de sal
⅛ de cdita. de nuez moscada
⅛ de cdita. de pimienta
1 taza de queso suizo rallado o picado (110-140 g)
1 cdita. de cebolla rallada
Mantequilla o margarina derretida
Queso parmesano rallado

Precalente el horno a 190°C. Cocine las espinacas y escúrralas bien; resérvelas para después. Derrita la mantequilla en una sartén (1,8 L); retírelo del fuego y agregue la harina, revolviendo hasta mezclar bien. Agregue la leche; vuelva a colocar la sartén en el fuego y revuelva hasta que la mezcla quede homogeneizada y espesa.

Crepas Florentina (Continuación)

Agregue sal, nuez moscada, pimienta, queso, cebolla y espinaca. Mezcle bien, sáquela del fuego cuando el queso se derrita. Coloque una cucharada copeteada de relleno de espinaca en cada crepa, con el lado dorado de la crepa hacia afuera. Enróllelas y colóquelas con el doblez hacia abajo en un molde untado con mantequilla de 22 cm x 22 cm. Unte o rocíelas con mantequilla derretida, espolvoree con el queso parmesano. Hornee de 15-20 minutos o hasta que se calienten.

Variaciones: Añada jamón cocido picado finamente al relleno de espinaca o antes de enrollar las crepas, espolvoree el relleno con trocitos de tocino crujiente.

Crepas Manicotti

16 crepas

1-½ taza (425 g) de queso ricotta

227 g de queso mozzarella, picado en cuadritos de 1 cm

½ cdita. de sal

⅛ de cdita. de pimienta

2 huevos

¼ de taza de queso parmesano rallado

2 CDAS. de mantequilla o margarina

1 cdita. de orégano (opcional)

1 frasco de 396 g de salsa de tomate estilo italiano

Precaliente el horno a 176°C. Mezcle todos los ingredientes excepto la salsa de tomate. Coloque una cucharada copeteada de la mezcla en el centro de cada crepa (con el lado dorado hacia afuera). Enróllelas y colóquelas con el doblez hacia abajo en molde de 33 cm x 22 cm. Vierta la salsa en el centro de las crepas, cubra con queso parmesano adicional si lo desea. Hornee a 176°C por 25-30 minutos o hasta que se caliente. Sirva dos o tres crepas por porción.

Crepas de Mariscos con Salsa de Camarón

8-10 crepas

2 CDAS. de mantequilla o margarina

½ taza de cebollas verdes o cebollitas, rebanadas finamente

¾ de taza de apio rebanado finamente

1 taza de carne desmenuzada de cangrejo Dungeness o rey (aproximadamente 170 g)

1 taza de camarones pequeños cocidos (aproximadamente 170 g)

½ taza de mayonesa

2 CDAS. de pimienta picado en cuadritos

1 cdita. de curry en polvo

1 cdita. de jugo de limón

Salsa:

1 lata de 283 g de sopa de crema de camarones condensada

1 cdita. de jugo de limón

½ lata de leche o media crema

Pre caliente el horno a 176°C. En una sartén pequeña, sofría la cebolla y el apio en mantequilla hasta que queden suaves y crujientes. Combine los ingredientes restantes en un tazón; agregue la mezcla de apio y cebolla. Coloque 1-2 cucharadas copeteadas de la mezcla en el centro de cada crepa; con el lado dorado hacia afuera y enróllelas. Coloque en un molde de 22 cm x 27 cm untado con mantequilla; cúbralo con papel de aluminio. Hornee de 15-20 minutos o hasta que se calienten. Sirva con la salsa caliente.

Para preparar la salsa: Combine los ingredientes en una cacerola y caliente, revuelva hasta que se caliente y hasta homogeneizar.

Enchiladas

12 crepas de harina de maíz
453 g de carne molida
½ taza de cebolla verde o amarilla
10 aceitunas maduras deshuesadas, rebanadas
1 cdita. de sal
1 diente de ajo, picado finamente
1-2 cditas. de chile en polvo
1 taza de queso cheddar, en cuadritos

Salsa:

1 lata de 473 mL de puré o salsa de tomate
1 lata de 170 g de pasta de tomate
1 cebolla pequeña, picada finamente
1 cdita. de sal
2 cditas. de azúcar
1 diente de ajo, picado finamente
1-2 cditas. de chile en polvo
¾ de taza de queso cheddar, en cuadritos

Precaliente el horno a 121°C. En una sartén grande, cocine la carne molida y la cebolla hasta que la cebolla se ablande y la carne se dore. Retire del fuego, elimine el exceso de grasa. Agregue las aceitunas, la sal, el ajo, el chile en polvo y 1 taza de queso. Coloque 1-2 cucharadas copeteadas de la mezcla en el centro de cada crepa; con el lado dorado hacia afuera. Enróllelas y colóquelas con el doblez hacia abajo en molde untado con mantequilla de 22 cm x 33 cm. Vierta la salsa en el centro de las crepas. Hornee de 20-25 minutos o hasta que se calienten.

Para preparar la salsa: Combine todos los ingredientes en una cacerola. Permita que hierva durante 10 minutos. Agregue los ¾ de taza de queso restantes. Pruebe para condimentar. Agregue más chile en polvo si lo desea.

Crepas de Pavo

- 16 crepas
- 2 tazas de carne de pavo picada en cuadritos
- 1 taza de pan para relleno (sobras o mezcla seca)
- 1 taza de salsa de menudillos
- 1 huevo, ligeramente batido
- Crema o leche según sea necesario

Precaliente el horno a 190°C. Combine el pavo, el relleno, la salsa y el huevo. Agregue la crema o la leche para humedecer, si es necesario. Coloque una o dos cucharadas copeteadas de la mezcla en el centro de cada crepa, con el lado dorado hacia abajo en un molde untado con mantequilla de 22 cm x 22 cm (o más grande). Hornee de 15-20 minutos o hasta que se calienten. Sirva con el sobrante de la salsa o con salsa tibia de arándanos.

Cazuela de Lasaña

- 16 crepas
- 2 frascos de 396 g de salsa de tomate estilo italiano
- 453 g de carne molida (si la salsa no contiene carne)
- 1 recipiente de 425 g de queso ricotta
- 226-340 g de queso mozzarella, en rebanadas delgadas
- ½ taza de queso parmesano rallado

Precaliente el horno a 176°C. En una sartén grande, precaliente la carne (si la va a usar) hasta que se desmorone. Elimine el exceso de grasa y agregue la salsa de tomate; permita que hierva y retírela del fuego. En un molde de 33 cm x 22 cm, extienda 1 taza de salsa. Coloque encima de 5-6 crepas, empalmándolas según sea necesario. Extienda encima la ½ del queso ricotta, ⅓ de las rebanadas de queso, ⅓ de queso parmesano rallado y 1 taza de salsa. Repita el procedimiento. Cubra con el resto de las crepas, la salsa y los quesos mozzarella y parmesano. Hornee por 30 minutos o hasta que se calienten. Deje enfriar por 10 minutos antes de servir; corte en cuadros.

Recetas Increíbles para los Niños

Crepas con Mantequilla de Cacahuete

Mezcle la mantequilla de cacahuete con un poco de mantequilla o margarina blanda hasta que quede untable. Unte una capa delgada en la crepa, con el lado dorado hacia afuera. Luego agregue cualquiera de los siguientes ingredientes: mermelada, jalea, crema de malvavisco, trocitos de tocino o pepinillos dulces. Enrolle y sirva fría o caliéntela en una sartén con un poco de mantequilla.

Crepas de Helado

Coloque una cucharada de helado de cualquier sabor en una crepa y bañe con alguna salsa para helado. O para hacer cazuelitas para helado, unte el lado no dorado de cada crepa con mantequilla derretida, colóquelas en el fondo de un molde para bollos o mantecadas (con el lado untado de mantequilla hacia arriba) y hornee a una temperatura de 190°C hasta que queden crujientes, aproximadamente 10 minutos. Permita que se enfríen y llénelas con helado, pudín, poste de gelatina o fruta.

Plátanos en Salsa de Vino

8 crepas
4 plátanos maduros medianos
Jugo de limón
4 CDAS. de mantequilla
½ taza de azúcar morena
½ cdita. de canela
¼ de cdita. de nuez moscada
⅓ de taza de vino tinto seco

Precaliente el horno a 190°C. Pele y corte los plátanos a la mitad, a lo largo. Rocíe y bañe los plátanos con un poco de jugo de limón para evitar que se oscurezcan. Combine los ingredientes restantes en una cacerola y hierva. Permita que hierva durante 10-15 minutos, revolviendo hasta que tenga la consistencia de un jarabe. Envuelva la mitad de un plátano en cada crepa, con el lado dorado hacia afuera. Colóquelas con el doblez hacia abajo en molde untado con mantequilla de 22 cm x 22 cm. Vierta el jarabe sobre las crepas. Hornee de 10-15 minutos hasta que los plátanos estén blandos. Sírvalas calientes.

Fresas con Crema

16 crepas
473 mL (2 tazas) de crema ácida
3 CDAS. de azúcar
2 CDAS. de licor de naranja (Cointreau o Grand Marnier),
opcional
2 tazas de fresas rebanadas azucaradas
2 CDAS. de mantequilla o margarina
Azúcar glass

Combine la crema ácida, el azúcar y el licor de naranja (opcional). Unte las crepas con la misma cantidad de la mezcla de crema y unas cuantas fresas rebanadas; enróllelas. Coloque las crepas en una cacerola poco profunda, cubra y guarde en el refrigerador hasta que vaya a servir las. Para calentar, derrita la mantequilla o margarina en una sartén poco profunda. Caliente las crepas, volteándolas cuidadosamente para que se calienten uniformemente. Añada las fresas restantes; caliente. Espolvoree con azúcar glass.

Conserva de Frutas con Salsa de Ron

8 crepas
2 tazas de conserva de picadillo de frutas
 $\frac{1}{4}$ de taza de mantequilla o margarina
 $\frac{1}{2}$ taza de azúcar
1 cdita. de ralladura de cáscara de limón
 $\frac{1}{4}$ de taza de ron
1 huevo batido

Unte la conserva de picadillo de frutas en las crepas, con el lado dorado hacia afuera; doble cada crepa en cuartos. Derrita la mantequilla en una sartén; agregue el azúcar, la ralladura de limón y el ron. Revuelva a temperatura media hasta que el azúcar se disuelva. Reduzca la temperatura. Agregue unas cuantas cucharadas al huevo batido y bata hasta que espume. Agregue la mezcla de huevo al resto del jarabe. Agregue las crepas y caliente a temperatura baja.

Crepas de Arándanos

16 crepas
2 tazas de pudín de vainilla, preparado
1 taza de crema espesa, batida
¼ de cdita. de nuez moscada

Salsa

½ taza de azúcar
1 CDA. de fécula de maíz
¼ de taza de agua
¼ de taza de jarabe de maíz
2 cditas. de jugo de limón
2 tazas de arándanos, frescos o congelados

Cubierta (Opcional): Crema ácida o crema batida adicional.

Combine los ingredientes del relleno. Coloque 2-3 cucharadas copeteadas de la mezcla en el centro de cada crepa; con el lado dorado hacia afuera y enróllelas. Colóquelas en un plato. Cubra con la salsa y si lo desea, con una cucharada de crema ácida o crema batida adicional.

Para preparar la salsa: Combine el azúcar y la fécula de maíz en una cacerola y mezcle. Incorpore y mezcle el agua, el jarabe de maíz y el jugo de limón hasta homogeneizar. Agregue los arándanos. Cocine, revolviendo constantemente, hasta que la salsa comience a hervir y espese. Refrigere hasta que se enfríe.

Palascintas de Naranja y Queso Crema

16 crepas

226 g de queso crema, ablandado

¼ de taza de mantequilla o margarina, ablandada

2 CDAS. de azúcar

1 cdita. de vainilla

1 cdita. de ralladura de cáscara de limón

Salsa

⅔ de taza de mermelada de naranja

⅓ de taza de jugo de naranja

2 CDAS. de mantequilla o margarina

1 CDA. de jugo de limón

1 ½ cdita. de ralladura de cáscara de limón

Con una cuchara, mezcle los ingredientes del relleno y bata hasta que la mezcla quede suave y esponjosa. Unte cada crepa, el lado dorado hacia afuera, casi hasta el borde con relleno y enróllela. Colóquelas en una sartén untada con mantequilla, con el doblez hacia abajo. Haga la salsa combinando los ingredientes en una sartén a temperatura media. Hierva ligeramente hasta que se mezcle y espese un poco, cerca de cinco minutos. Vierta sobre las crepas y caliente.

Opcional: Agregue 1 taza de mandarinas bien escurridas.

Flameadas: Vierta ¼ de taza de licor de naranja sobre las crepas y la salsa. Deje que se calienten por un minuto. Luego encienda con un cerillo. Sirva en cuanto la flama se extinga.

Variación: Substituya con mermelada de chabacano o durazno, o sirva con puré de manzana caliente en vez de la salsa.

Crepas Melba

8 crepas

1 paquete de 283 g de frambuesas congeladas

1 paquete de 283 g de duraznos congelados o 4 duraznos frescos, pelados y rebanados

1 CDA. de fécula de maíz

1 CDA. de agua

Helado de vainilla (8 cucharadas), ligeramente blando

Descongele la fruta. Caliente las frambuesas en una cacerola. Ecurra los duraznos si están congelados. Combine la fécula de maíz y el agua; agregue a las frambuesas. Cocine hasta que la mezcla espese y quede transparente; agregue los duraznos. Coloque cucharadas de helado en la crepa, el lado dorado hacia afuera, doble los lados de la crepa sobre el helado y sirva inmediatamente con la salsa caliente.

Tarta de Moca

16 crepas

1 paquete de 155 g de pudín instantáneo de vainilla

1 taza de crema espesa

2 CDAS. de azúcar glass

2 CDAS. de cocoa

1 CDA. de café instantáneo en polvo

Prepare el pudín instantáneo siguiendo las instrucciones del paquete; déjelo reposar hasta que quede firme. Combine los ingredientes restantes y bata a velocidad alta hasta que la crema quede espesa; refrigere. Coloque una crepa en un plato y unte con una capa delgada y uniforme de pudín, usando una espátula. (No revuelva el pudín). Coloque otra crepa encima y unte. Repita hasta que todas las crepas sean usadas. Cubra el montón de crepas rellenas (la parte de arriba y los lados) con el betún de crema batida. Enfríe en el congelador hasta que vaya a servir. Corte en rebanadas de 5 cm con un cuchillo afilado. No lo mantenga por más de 12 horas ya que el pudín pudiera aguadearse.

Variaciones: Substituya por pudín instantáneo de chocolate o limón y por crema dulce batida. Cubra con astillas de almendras tostadas.

Yogur y Fruta

Crepas

Yogur, natural o de vainilla

Mermelada de fruta, jarabe, conserva de frutas o cubierta para helados

Para un postre rápido, diluya cualquier tipo de mermelada o conserva de frutas con un poco de agua o jugo de naranja (use el jarabe o la cubierta sin diluir). Caliente y revuelva por un minuto o dos en una cacerola. Coloque varias cucharadas de yogur en una crepa (el lado dorado hacia afuera); enróllela. Vierta cucharadas de la salsa caliente sobre las crepas.

Crepas Suzette

16 crepas

½ taza de mantequilla o margarina sin sal

4 CDAS. de azúcar

½ taza de jugo de naranja

1 cdita. de ralladura de cáscara de naranja

¼ de cdita. de ralladura de cáscara de limón

¼ de taza de licor de naranja (Cointreau o Grand Marnier)

2 CDAS. de ron o brandy

Haga la salsa en una sartén grande a temperatura baja, revolviendo los ingredientes hasta que la mantequilla o la margarina se derrita. Agregue 3 cucharadas de licor de naranja. Doble las crepas en cuartos y colóquelas en la salsa. Hierva por 10 minutos a temperatura baja, volteando las crepas y cubriéndolas con la salsa. Vierta el licor restante, el o el brandy en el centro (no revuelva). Deje que se calienten por un minuto.

Manera Rápida de Preparar Crepas

Ideas para aperitivos, postres y botanas "instantáneos".

Llene las crepas con relleno enlatado para pay, calentado (manzana, cereza, arándanos), enrolle y sirva cubiertas de helado o crema batida.

Como un delicioso acompañante para cualquier platillo de carne, fría cebollas y champiñones frescos en mantequilla, rellene las crepas y enróllelas manteniéndolas calientes dentro del horno hasta que vaya a servir las.

Moje picadillo de carne de res o rosbif enlatado con leche o caldo hasta que quede unttable. Coloque cucharadas en las crepas, enróllelas y úntelas de mantequilla derretida. Hornee hasta que se calienten.

Las crepas sobrantes pueden servir como "tallarines" en la sopa. Solo enrolle las crepas bien apretadas y córtelas en tiras. Agréguelas a la sopa justo antes de servirla.

La fruta fresca de cualquier tipo, combinada con yogur o crema ácida hace un buen relleno para crepas en el desayuno.

Las crepas dobladas en cuartos pueden calentarse en jarabe de maple o miel mezclado con jugo de naranja.

El atún o el salmón combinado con una salsa espesa blanca (de crema) pueden enrollarse en una crepa, luego ser horneada hasta que se caliente.

Como un condimento extra, use aceitunas maduras rebanadas, pimienta picada y huevos cocidos en rebanadas. Agregue jugo de limón al gusto.

Como botanas en una reunión o fiesta, deje que sus invitados preparen sus propias crepas untándolas con varios rellenos y salsas y luego las doblen en cuartos.

INDICE DE RECETAS

| | | | |
|--|----|--|----|
| Blinis | 73 | Crepas Suzette | 87 |
| Blintzes | 73 | Eggrolls de Cerdo o Pollo | 74 |
| Cazuela de Lasaña | 81 | Enchiladas | 80 |
| Conserva de Frutas con Salsa de Ron | 83 | Fresas con Crema | 83 |
| Crepas "Beef Stroganoff" | 75 | Huevo y Jamón a la Holandesa | 77 |
| Crepas con Mantequilla de Cacahuete | 82 | Mezcla Básica | 69 |
| Crepas de Arándanos | 84 | Mezcla de Trigo Sarraceno para Hotcakes | 70 |
| Crepas de Champiñones | 76 | Palascintas de Naranja y Queso Crema | 85 |
| Crepas de Harina de Maíz | 70 | Plátanos en Salsa de Vino | 82 |
| Crepas de Helado | 82 | Queso Crema "etcétera" | 71 |
| Crepas de Mariscos con Salsa de Camarón | 79 | Recetas Increíbles para los Niños | 82 |
| Crepas de Pavo | 81 | Salami y Queso Suizo | 72 |
| Crepas de Pollo al Curry | 75 | Salchichas de Puerco Cubiertas | 71 |
| Crepas Florentina | 77 | Tacos | 72 |
| Crepas Manicotti | 78 | Tarta de Moca | 86 |
| Crepas Más Ricas en Huevo | 70 | Yogur y Fruta | 87 |
| Crepas Melba | 86 | | |

AVISO IMPORTANTE

*Si hay partes faltantes o defectuosas, **NO** regrese este producto.*

Por favor llame a nuestro

Departamento de Servicio al Cliente para asistencia.

800-233-9054 *Lunes – Viernes 9:00 a.m. – 5:00 p.m.*

Hora del Centro

Gracias

GARANTIA LIMITADA DE UN AÑO

Garantía: Este producto Maxim® está garantizado por Salton, Inc. a estar libre de defectos en su material o fabricación por un periodo de un (1) año a partir de la fecha de compra original. La garantía de este producto solo cubre al comprador original del producto.

Cobertura de la Garantía: Esta garantía no es válida si el producto ha sido dañado accidentalmente durante su envío, uso irrazonable, maltrato, negligencia, reparación inadecuada, uso comercial, reparaciones por personal no autorizado, desgaste normal y deterioro, ensamblaje inadecuado, abuso de instalación o mantenimiento u otras causas que no se deban a defectos en su material o fabricación. Esta garantía es efectiva solo si el producto es adquirido y operado en los E.U.A. y no se extiende a las unidades que hayan sido utilizadas en violación a las instrucciones escritas provistas con el producto o a unidades que hayan sido alteradas o modificadas o a daños a productos o partes a las cuales se les haya removido, alterado o borrado el número de serie o se haya entregado con éste ilegible.

Garantías Implícitas: CUALESQUIER GARANTIAS IMPLICITAS QUE EL CONSUMIDOR PUEDA TENER ESTAN LIMITADAS EN DURACION A UN (1) AÑO A PARTIR DE LA FECHA DE COMPRA. Algunos estados no permiten limitaciones en la duración de una garantía implícita por lo que la limitación anterior puede no ser aplicable en su caso.

Ejecución de la Garantía: Durante el periodo de garantía de un año antes mencionado, el producto defectuoso será reparado o reemplazado por un modelo reacondicionado equivalente (según nuestro criterio) cuando el producto sea regresado al Centro de Reparación o se haya reembolsado el costo de la compra. El producto reparado o reemplazado estará garantizado por el balance de un periodo de un año de garantía y un periodo adicional de un mes. No habrá ningún cargo por tal reparación o reemplazo.

Servicio y Reparación: Si el aparato no funciona bien, debe primero llamar a nuestra línea gratuita 1-800-233-9054 (Válido solo en E.U.A.) entre el horario de 9:00 a.m. y 5:00 p.m. (Hora del Centro) y contactar al DEPARTAMENTO DE SERVICIO AL CLIENTE dejándoles saber que tiene un problema. Por favor refiérase al número de modelo CM5C cuando llame.

Reparaciones Bajo la Garantía (E.U.A.): Para un aparato cubierto bajo el periodo de garantía, no hay ningún cargo por la reparación o los gastos de envío. Llame para una autorización de devolución (1-800-233-9054).

Reparaciones Fuera de la Garantía: Existe un cargo de tarifa fija por modelo en el caso de reparaciones hechas fuera de la garantía. Incluya \$ 10 (USD) para gastos de manejo y envío. Nosotros le notificaremos por correo el costo del servicio y requerirá pagar por adelantado la reparación o reemplazo.

Para Productos Adquiridos en E.U.A. pero Usados en Canadá: Puede regresar el producto certificado, empacado con suficiente protección con los gastos de envío y certificación pre-pagados a la dirección de E.U.A. que aparece abajo. Por favor tenga en cuenta que todas las cuotas de derechos de aduana y de comisión de corretaje, si es que hay, deberá ser pagada por usted y deberá pagarlas por adelantado a nosotros antes de que podamos realizar cualquier reparación.

Riesgos Durante el Envío: No podemos asumir ninguna responsabilidad por pérdidas o daños durante el envío. Para su protección, embale cuidadosamente el producto para su envío y certifíquelo con el transportista. Asegúrese de incluir los siguientes artículos con su producto: todos los accesorios relacionados con el problema; su dirección completa y número telefónico; una nota describiendo el problema en cuestión; una copia de su recibo de compra u otra prueba de compra para determinar las condiciones de garantía. No se aceptan envíos contra reembolso.

Para regresar el aparato, envíelo a:

Para contactarnos, por favor escriba, llame o envíe un mensaje electrónico a:

Attn:

Repair Center

Salton, Inc.

708 South Missouri Street

Macon, MO 63552

Email: Salton@Saltonusa.com

Salton, Inc.

P.O. Box 7366

Columbia, MO 65205-7366

1(800) 233-9054

Limitación de Remedios: Ningún representante o persona está autorizado a asumir en lugar de Salton, Inc. toda otra responsabilidad en conexión con la venta de nuestros productos. No se deberán hacer reclamaciones por defectos o fallos en el funcionamiento o averías del producto bajo ninguna teoría de agravio, contrato o ley comercial incluyendo, pero sin limitación a, negligencia, negligencia grave, estricta responsabilidad, incumplimiento de la garantía e incumplimiento de contrato. La reparación, reemplazo o reembolso será el exclusivo remedio del consumidor bajo esta garantía y **en ningún momento seremos responsables por ningunos daños, pérdidas o gastos incidentales o consecuentes.** Algunos estados no permiten la exclusión o limitación de daños incidentales o consecuentes por lo que la limitación o exclusión puede no ser aplicable en su caso.

Derechos Legales: Esta garantía le otorga derechos legales específicos y puede que tenga otros derechos los cuales varían de un estado a otro.

Para mayor información sobre productos Salton:

Visite nuestra página en internet: www.salton-maxim.com