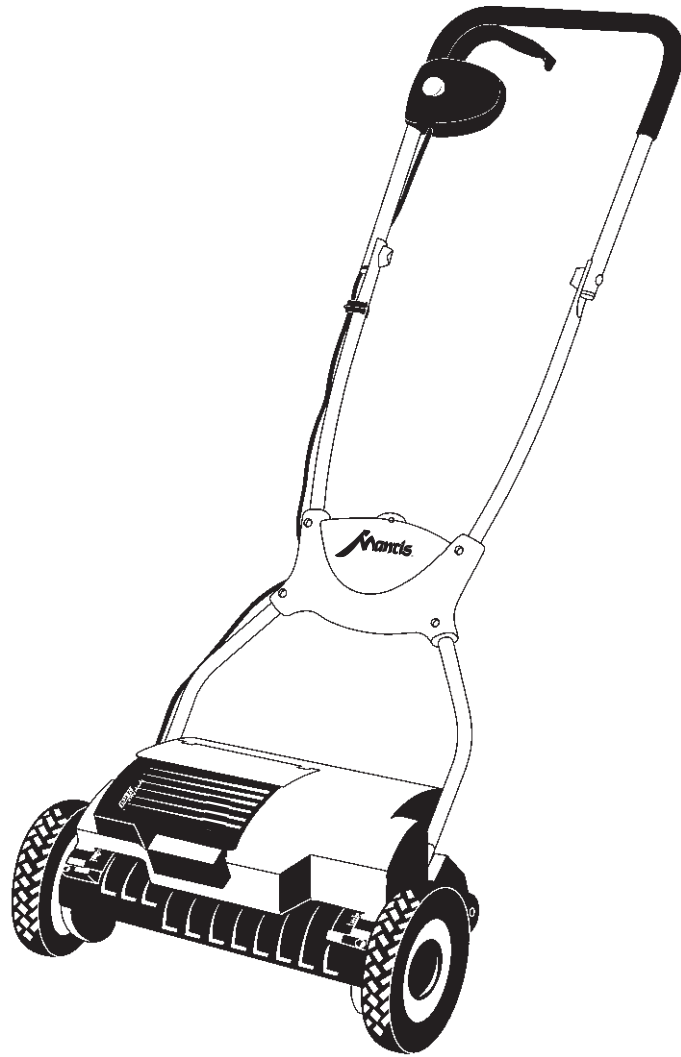




## **Mantis Reel Mower**



# Table of Contents

Please read these operating instructions before assembling and using your machine.

## Safety Instructions

Safety Decals .....1

## Assembly Views

Mantis Reel Mower Views .....2

## Assembly Instructions

Operating Parts .....5

Technical Data .....5

Notes on Operating Instructions .....5

Using Your Mantis Reel Mower Correctly .....6

Assembling the Mantis Reel Mower .....6

## Operation

Putting into Operation .....7

Information Concerning Correct Mowing .....8

## Maintenance

Maintenance/Care/Storage .....8

Disposal/Recycling .....10

## Safety

Instructions for Correct Use/Safety Instructions ..10

## Trouble-Shooting

Trouble-Shooting .....11

## Guarantees

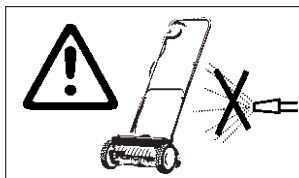
Guarantee ..... Back Cover

## Safety Instructions

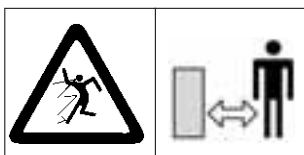
Please adhere to the following safety instructions on the appliance :



**Warning!** Read instruction handbook before starting.



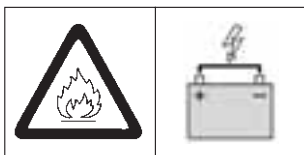
**To avoid damage on the unit:** Never clean your Mantis Reel Mower with running water, in particular with water under high pressure.



Keep bystanders away from the danger zone.



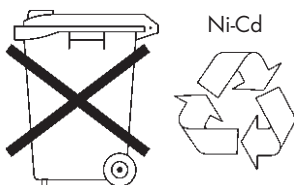
**Warning!** Risk of injury. Keep fingers and feet away from sharp cutting tool!



**Warning!** Contacts should never be bridged with metal! Short-circuit – fire risk!



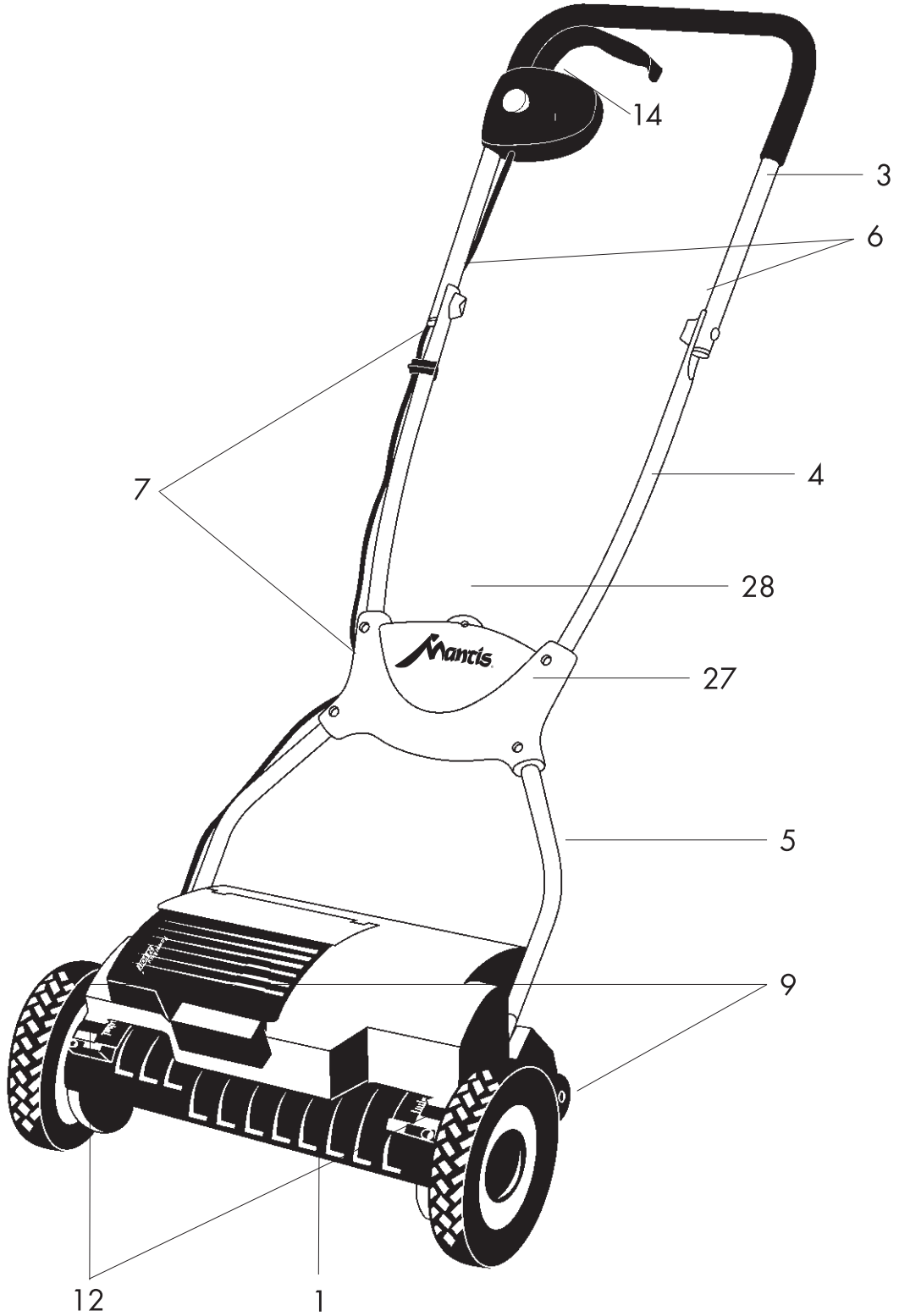
**Warning!** Remove the battery from the socket before carrying out all maintenance work!



Disposal of Ni-Cd cells only as per instructions in this booklet.

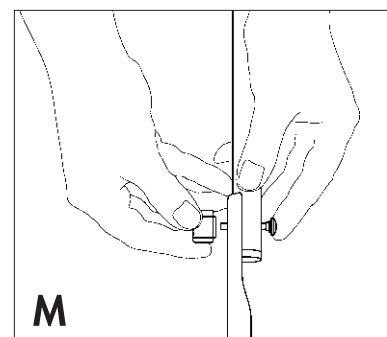
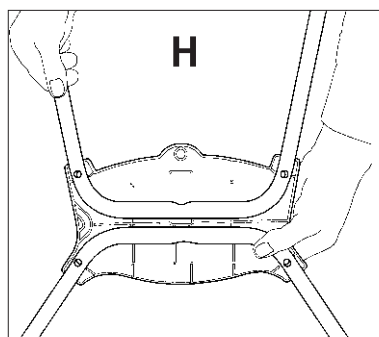
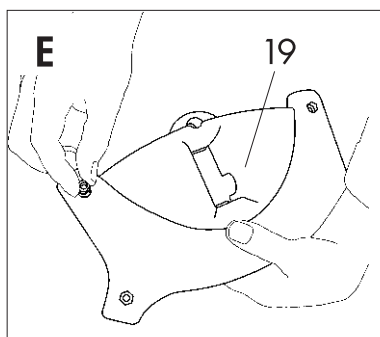
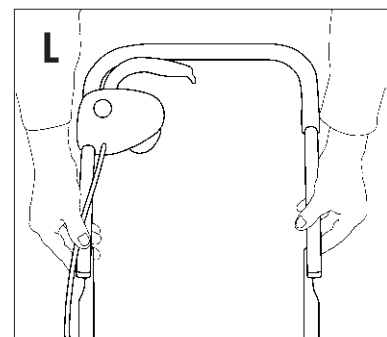
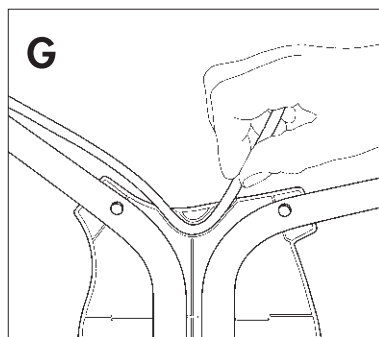
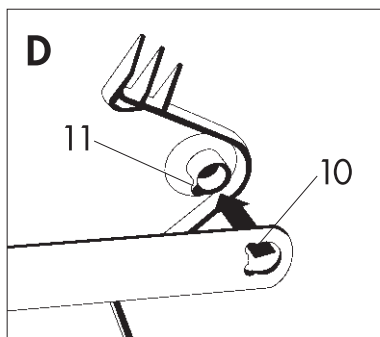
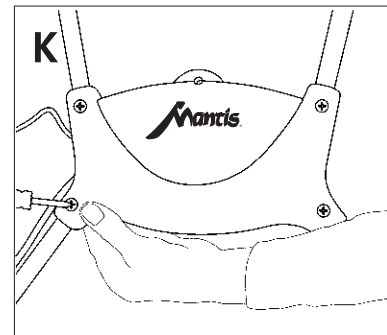
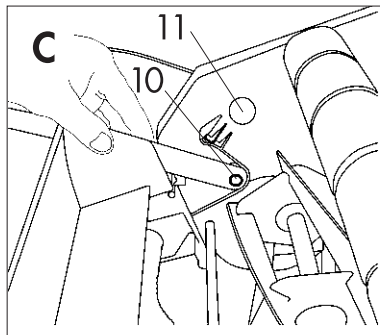
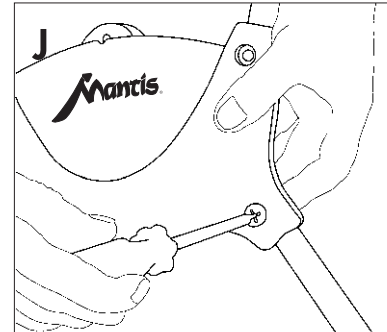
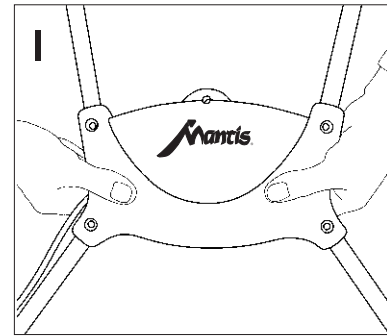
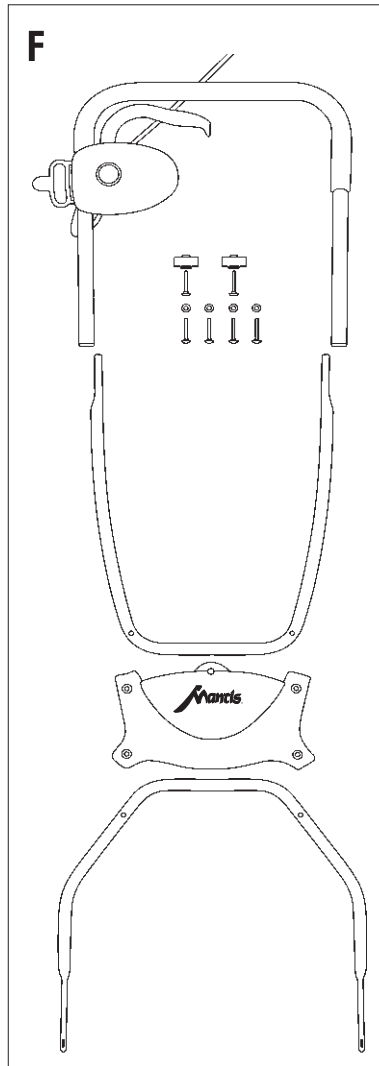
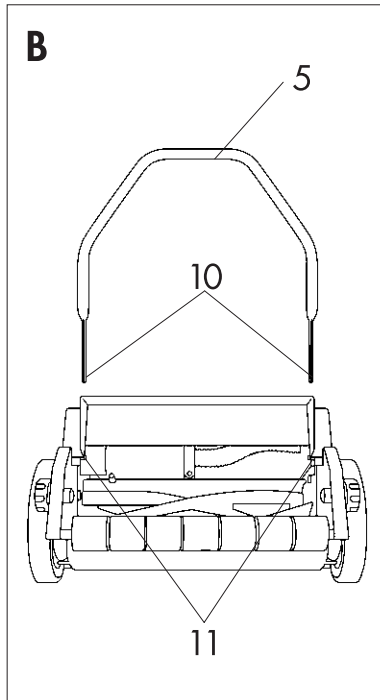
# Mantis Reel Mower View

A

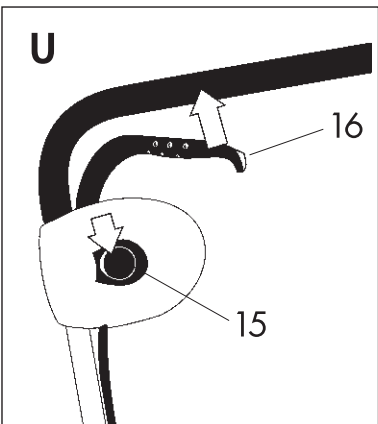
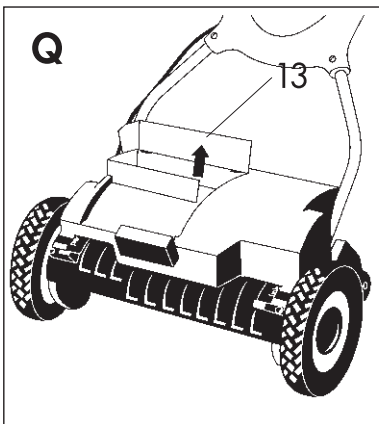
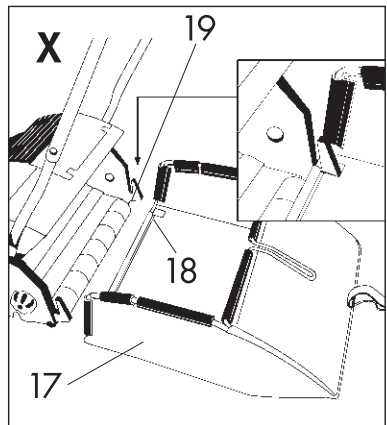
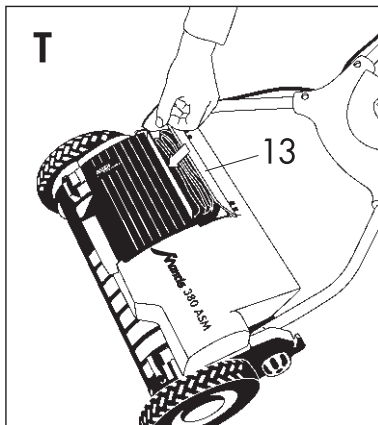
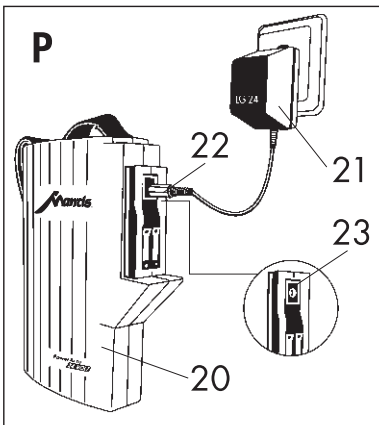
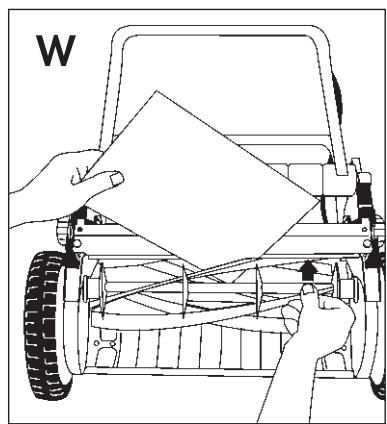
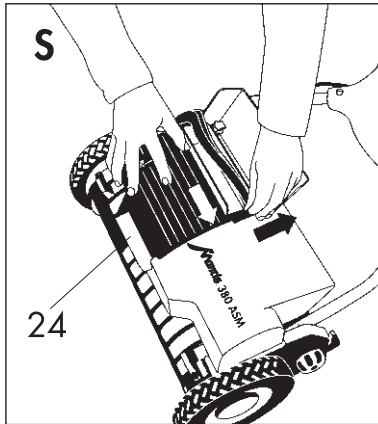
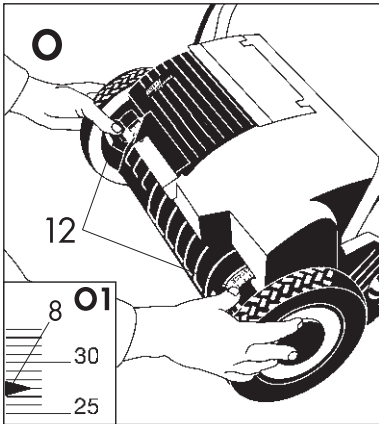
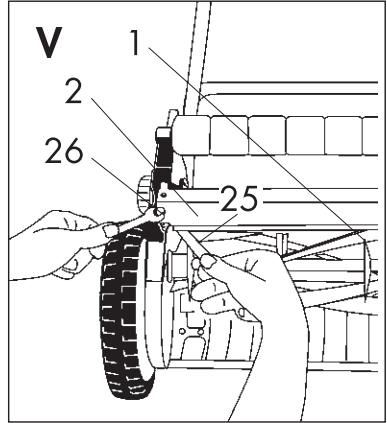
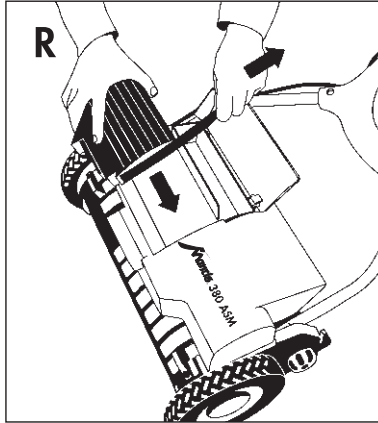
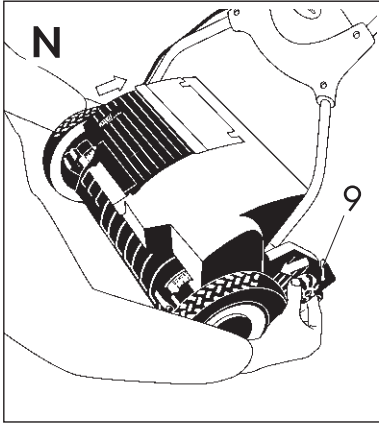


# Mantis Reel Mower Views

US



# Mantis Reel Mower Views



# Mantis Reel Mower Assembly Instructions

## A. Operating Parts (Fig. A – X)

1. Cutting cylinder (Fig. V)
2. Lower blade (Fig. V)
3. Upper section of the guide handle (Fig. A)
4. Middle section of the guide handle (Fig. A)
5. Lower section of the guide handle (Fig. A)
6. Wing nuts with bolts (Fig. A)
7. Cable clip (Fig. A)
8. Cutting height marking arrows (Fig. O1)
9. Fixing nuts (Fig. N)
10. Opening for snug and handle bolts (Fig. D)
11. Handle bolts (Fig. D)
12. Adjusting handles (Fig. O)
13. Cover for harness compartment (Fig. Q)
14. On/off switch (Fig. A)
15. Release knob (Fig. U)
16. Starting handle (Fig. U)
17. Grass catcher (accessory) (Fig. X)
18. Grass catcher holders (Fig. X)
19. Hooks for grass catcher (Fig. X)
20. Battery (Fig. P)
21. Charger LG 24 (24 Volts) (Fig. P)
22. Plug for charger (Fig. P)
23. Charging socket in battery (Fig. P)
24. Contact bar (Fig. S)
25. Thickness gauge (Fig. V)
26. Hexagon thread bolt (to adjust cutting tool) (Fig. V)
27. Node (A)
28. Hooks for grass catcher (A)

## B. Technical Data

### Battery

|                            |                     |
|----------------------------|---------------------|
| Battery                    | 20 x 1.2 V NiCd     |
| Voltage/Capacity           | 24 V / 2.0 Ah       |
| Weight                     | approx. 1.4 kg      |
| Number of possible charges | approx. 1,000 times |

### Charger LG 24

|               |                |
|---------------|----------------|
| Voltage       | 230 V / 100 mA |
| Charging time | 12 - 24 hours  |
| Weight        | 0.2 kg         |

### Mantis Reel Mower

|   |                        |
|---|------------------------|
| Width of the cutting cylinder   | 38 cm                  |
| Weight without battery  | approx. 9.5 kg         |
| Working area related emission characteristic value $L_{pA}$ <sup>1)</sup> | 69 dB (A)              |
| Guaranteed noise level $L_{WA}$ <sup>2)</sup>                             | 86 dB (A)              |
| Measured noise level $L_{WA}$ <sup>2)</sup>                               | 82.2 dB (A)            |
| Hand-Arm vibrations $a_{vhw}$ <sup>1)</sup>                               | < 2.5 m/s <sup>2</sup> |

\* Measuring method according to <sup>1)</sup> EN 836 <sup>2)</sup> 2000/14/EC

## C. Notes on Operating Instructions

Use these operating instructions to familiarize yourself with the unit, the charging technology, the unit's features and its proper use as well as the notes on safety.

**▲ FOR SAFETY REASONS, CHILDREN UNDER THE AGE OF 16 OR PEOPLE NOT FAMILIAR WITH THESE OPERATING INSTRUCTIONS MUST NOT USE THIS MANTIS REEL MOWER. PLEASE KEEP THESE INSTRUCTIONS IN A SAFE PLACE. ▲**

## D. Using your Mantis Reel Mower Correctly

The Mantis Reel Mower is designed for cutting lawns in and around the garden. It is not designed for use in public Facilities, parks, sporting grounds, on roads, in agriculture or forestry.

It is essential to observe the manufacturer's operating instructions to ensure the unit's proper functioning. The operating instructions also contain advice for service, maintenance and repair.

**⚠ ATTENTION! TO PREVENT INJURY, THE MANTIS REEL MOWER MUST NOT BE USED FOR TRIMMING BUSHES, HEDGES, SHRUBS, FOR CUTTING AND PRUNING OF CLIMBERS OR GRASS ON ROOFS OR IN BALCONY BOXES. ⚠**

**⚠ ATTENTION! TO PREVENT INJURY, ⚠ THE BATTERY MUST ONLY BE USED AS A POWER SOURCE FOR 24-VOLT TOOLS MANUFACTURED BY MANTIS.**

**⚠ ONLY THE BATTERY, MANTIS ⚠ ARTICLE NO. 65028, INCLUDED IN THE PACKAGING, CAN BE USED WITH THE HAND LAWNMOWER.**

## E. Assembling the Mantis Reel Mower

### 1. Checking all parts are included

The Mantis Reel Mower box contains the following parts:

- Mantis Reel Mower
- 1 battery
- 1 upper section of the guide handle
- 1 middle section of the guide handle
- 1 lower section of the guide handle
- Assembly parts for the guide handle in a plastic bag
- 1 Charger LG 24 (24 Volt)
- 1 thickness gauge
- Operating instructions

### 2. Assembling the guide handle (Fig. A – M)

1. Tilt your Hand Lawnmower so that the black rollers face upwards (Fig. B/C). Fit the lower section of the guide handle (5) so that the drilled holes (10) are over handle bolts (11) (Fig. B). Note: Make sure that the groove in the drilled hole (10) and the locking tab of the handle bolt (11) meet (Fig. D). **WARNING!** Do not use excessive force. First ensure that the recess in the handle and the lug of the bolt are in alignment and then fix together.
2. Continue assembling the guide handle as follows using the black central connecting section: Disassemble the central connecting section (27) (referred to as the "node" from now on). The front and rear sides of the node are fastened together by a clip lock to prevent them from springing open. The clip lock can be found in the recess on the back of the node. For easier disassembly, release the clip lock by pushing it outwards. Press the four nuts into the recesses in the rear section of the node (the side

without the Mantis logo). Gently press in the four nuts so that they are inserted properly and do not fall out of the recesses when the node is turned over (Fig. E). Turn the mower so that the rollers rest on the ground. Prepare the top and middle sections of the guide handle so that the sections of the handle overlap as shown in the assembly diagram (Fig. F). Hold the rear section of the node so that the grass catcher holder (28) faces upwards and guide the cable through the cable duct on the left side of the node (Fig. G) (viewed from below. Pay attention to the length of the cable!). Now insert both sections of the handle according to the recesses (Fig. H). Attach the front section of the node to the rear section of the node. Make sure that you hear the clip lock snap into place and screw together both parts of the node using the bolts provided (Fig. I/K).

3. Now attach the middle and top sections of the guide handle using the bolts and wing nuts provided (Fig. L/M). **WARNING!** The cable must not hang down near the cutting cylinder.

### 3. Setting the cutting height (Fig. N/O)

**⚠ WARNING! TO PREVENT INJURY, ⚠ NEVER SET THE CUTTING HEIGHT WHEN THE MOTOR IS RUNNING.**

Set the cutting height on the Mantis Reel Mower as follows:

1. Stand the Hand Lawnmower on a flat, solid surface.
2. Position yourself in front of the cutting height scale of the Mantis Reel Mower (Fig. N).



3. Loosen both fixing nuts (9).
4. With both hands on the adjusting handles (12) set the cutting height you require (Fig. O):
  - Highest cutting height: 45 mm
  - Lowest cutting height: 20 mm

**NOTE:** Make sure that the arrows marking the cutting

height (8) show the same cutting height on both sides of the scale (Fig. O1).

5. Re-tighten both fixing nuts (9) (Fig. N). **NOTE:** When setting the Mantis Reel Mower to a low cutting height, ensure that the lower blade and cutting cylinder do not touch the ground if the ground is uneven.

## F. Putting into Operation

### 1. Charging the battery (Fig. P)

For technical reasons the battery (20) is **not charged**. Consequently, the unit needs to be charged before initial operation.

For this **exclusively**, use the Charger LG 24 (21).

Plug the charger (21) into the mains socket and then push the plug for the charger (22) into the charging socket (23) of the battery. The charging procedure begins.

Ensure you use the correct mains voltage!

Charging time: approx. 24 hours for the initial charge. Afterwards, 12 - 24 hours depending on the state of charge.

The battery reaches its full capacity only after numerous (approx. 5) charging/discharging processes.

**⚠ DO NOT CHARGE THE BATTERY WITH CHARGING EQUIPMENT OTHER THAN THE CHARGER LG 24 SINCE ONLY THIS CHARGER HAS BEEN SPECIFICALLY ADAPTED FOR USE WITH THE BATTERY.**

**THE USE OF OTHER CHARGING UNITS CAN LEAD TO DAMAGE AND INJURIES.**

**THE USE OF OTHER CHARGING UNITS MAKES ALL CLAIMS FOR COMPENSATION NULL AND VOID AND RELEASES THE MANUFACTURER FROM ALL GUARANTEE SERVICES.**

**⚠ CHARGE THE BATTERY FOR 24 HOURS BEFORE USING YOUR MANTIS REEL MOWER FOR THE FIRST TIME.**

**⚠ THE MAINS PLUG (21) HEATS UP SLIGHTLY DURING THE CHARGING PROCEDURE.**

**⚠ CHARGE THE BATTERY IN A DRY PLACE AND AWAY FROM DIRECT SUNLIGHT.**

**⚠ NEVER CHARGE THE BATTERY ANYWHERE NEAR EASILY INFLAMMABLE MATERIALS.**

### 2. Connecting the battery (Fig. Q – T)

1. Open the harness compartment (Fig. Q). Hold the battery in your right hand and use your left hand to pull the harness to the left so that the ends of the harness lie flat against the battery (Fig. R).
2. Push the battery into the contact bar (24) until you hear it click into place (Fig. S).
3. Fold the harness into loops, stow it away in the harness compartment (Fig. T) and close the cover (13). This also secures the battery in the contact bar.

### 3. Starting your Mower (Fig. U)

**⚠ WARNING! BEFORE STARTING YOUR MANTIS REEL MOWER CHECK FOR FOREIGN BODIES IN THE CUTTING CYLINDER AND REMOVE IF NECESSARY.**

Start your Mantis Reel Mower as follows:

1. Stand your mower on a level part of the lawn.
2. To start the motor, press and hold down the release knob (15) (Fig. U) and with the other hand, simultaneously pull the starting handle (16) towards the cross bar (Fig. U).
3. If you release the starting handle (16) the motor switches off again.

**⚠ THE SWITCHES INSTALLED BY THE MANUFACTURER MUST NOT BE REMOVED OR BE BRIDGED (EX: BY TAPING DOWN THE STARTING HANDLE (16) TO THE GUIDE HANDLE). THIS WILL PREVENT THE MOWER SWITCHING OFF AUTOMATICALLY, AND COULD CAUSE FATAL INJURY.**

**Attention!** Cutting cylinder continue to run for a few seconds after the motor is switched off. When working with the Mantis Reel Mower the battery heats up; this is normal and does not affect its performance.



## G. Information Concerning Correct Mowing

### 1. General remarks on the care of lawns

At the beginning of the grass cutting season and with newly laid lawns, we recommend you select a relatively high cutting height (e. g. 45 mm) then gradually decrease the cutting height over time. To maintain a well kept lawn you should set the cutting height to approximately 25-30 mm.

If possible, mow your lawn once a week. When you mow your lawn frequently the short roots of the grass grow making your lawn more resistant.

Always mow your lawn when it is relatively dry. To obtain a clean cut guide the Mantis Reel Mower in lanes as straight as possible at a walking pace. Ensure that the lanes overlap by a few centimeters so that no uncut strips are left behind.

Cut the lawn for the first time in spring when the grass begins to grow and the lawn can be walked on. If the grass has grown too long first cut it lengthwise with a high cutting height setting (approx. 45 mm) and then cut at right angles with the desired lower cutting height setting (e. g. 25 mm).

The area of lawn you can mow with one charged battery depends on the height and thickness of the lawn, i.e. the taller and thicker the lawn, the smaller the area of lawn you can mow with one fully charged battery.

### 2. Mowing

**TIP:** Only cut with a sharp cutting cylinder so that the grass is not bruised and turn yellow. For a clean cut guide the Mantis Reel Mower at an appropriate speed in lanes as straight as possible. **NOTE:** The Mantis Reel Mower can be operated with the battery or without as a hand mower.

**⚠ WARNING: THE REVOLVING CUTTING CYLINDER CAN CAUSE INJURIES. ⚠**

Always maintain the distance between the cutting cylinder and user suggested by the guide handle.

When working on inclines always stand diagonally to the incline in a sturdy, safe stance.

To prevent tripping, take particular care when moving backwards and when pulling the Mantis Reel Mower. You may stumble! For information on how to set the cutting height see section “Setting the cutting height”.

### 3. Mowing with the grass catcher – Accessory (Fig. X)

**⚠ ONLY ATTACH THE GRASS CATCHER ⚠  
WHEN THE MOTOR IS SWITCHED OFF AND  
THE CUTTING TOOL HAS STOPPED MOVING.**

Using the Mantis grass catcher saves you having to rake together the grass cuttings.

To attach the grass catcher hook the grass catcher holders (18) over the hooks (19) of the Mantis Reel Mower and hook the carrying strap onto the lower part of the guide handle (27/28). **Note:** The height of the grass catcher can be adjusted using the strap. For the best grass-catching results, push your mower at a walking pace.

#### Blockage protection / Circuit breaker

If the mower is blocked by a foreign body or if the motor is overloaded, the motor is automatically switched off by the circuit-breaker. Pull the battery out of the contact bar. Remove the foreign body or the cause for the overload and after a few seconds restart the mower. If the motor switches off, although there are **no foreign** bodies in the cutting tool, it is possible that the cutting height you have selected is too low. Select a higher cutting height, e. g. 45 mm and then select a lower cutting height for the second cut.

If the Mantis Reel Mower is overloaded over a longer period of time the motor may become hot. To protect the motor from overheating the thermal circuit-breaker switches off the motor.

You can switch on the mower again after approximately 2-5 minutes.

## H. Maintenance / Care / Storage

### 1. Maintenance

Maintenance includes all jobs which keep your Mantis Reel Mower in perfect working order. By regularly checking the unit (firm seating of screw connections, cracks, damage) and replacing defective or worn parts you can prevent accidents and failure.

Repairs may only be carried out by Mantis service centers or authorized Mantis dealers.

**⚠ BEFORE CLEANING AND SETTING  
THE HAND LAWNMOWER, SWITCH OFF THE  
MOTOR AND REMOVE THE BATTERY TO  
PREVENT STARTING THE MOTOR  
UNINTENTIONALLY. ⚠**

## 2. The battery (Fig. P)

### Charging the battery

**NOTE: Only charge the battery with the charger supplied!**

Using other charging units could lead to damage and injury.

Using a charger other than the Mantis charger supplied releases Mantis from all liability and warranty claims.

We recommend charging the battery immediately after using your mower using the supplied charger (21).

**IMPORTANT! Never charge the battery after having been heated up by operation or sun. Let cool down first. Never expose the battery to direct sunlight while charging. Never charge the battery anywhere near acids and easily inflammable materials. Danger of fire!**

**NOTE:** Do not wait until the battery is completely flat before recharging.

Charge the battery in a dry place as follows (Fig. P):

1. Open the cover of the harness compartment (13).
2. Pull the battery (20) out of the contact bar.
3. Plug the plug (22) of the charger into the charging socket (23).
4. Then plug the charger (21) into the mains socket.
5. To resume mowing after charging the battery, proceed as described in section F-2.

### IMPORTANT:

- Protect the charging socket (23) against dirt and moisture.
- If the battery capacity is so low that the Hand Lawnmower switches off automatically then the charging time is 24 hours.

The battery should be stored at a dry, elevated, frost-free, locked up place, where children have no access. Avoid direct sunlight. Always disconnect the battery from tools before storing to avoid improper use and accidents.

Make sure the surface and the contacts of the battery always are clean and dry before connecting the charging unit. When dirty clean them with a soft, dry rag; never use running water.

If you do not use the battery for long periods of time, please charge it again before using. Since a gradual self-discharge occurs, charge the battery completely before initial use after longer periods of storage.

## 3. The Mantis Reel Mower

**⚠ TO AVOID INJURY TO PERSONS AND MATERIAL DAMAGE: NEVER CLEAN YOUR MANTIS REEL MOWER WITH RUNNING WATER, IN PARTICULAR WITH WATER UNDER HIGH PRESSURE. ⚠**

### Cleaning

After using the mower clean with a moist cloth. Spray the cutting cylinder and lower blade with an oil of low viscosity (e.g. spray oil).

### Maintenance

The blades, which if cared for properly must only be sharpened after years, can only be sharpened by authorized Mantis dealer due to the special sharpening technique. The mower may only be repaired and the cutting blades may only be installed by approved specialist workshops.

**NOTE:** Ensure that all nuts, bolts and screws are tight and that the mower is in good working order. For safety reasons, allow all worn out and damaged parts to be exchanged by Mantis Service or authorized specialist dealers.

To avoid injury and damage to the mower we recommend you have your mower checked in autumn so that it is ready and safe to use next season.

### Storage

Store your Mantis Reel Mower in a dry, cool place where it is protected from frost. The mower should be stored out of the reach of children.

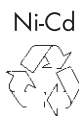
## 4. Readjusting the cutting tool (Fig. V/W)

The cutting tool of your Mantis Reel Mower was set at an optimum setting before leaving our factory. However, if the cut is not clean after using your mower for a longer period of time, please correct the setting of the lower blade as follows:

1. Switch off the Mantis Reel Mower and pull the battery out of the contact bar to prevent starting the battery Lawnmower unintentionally.
2. Push the supplied thickness gauge (25) on the left hand side between one blade of the cutting cylinder (1) and the lower blade (2) (Fig. V).
3. Turn the hexagon thread bolt (26) with a 10 mm fork wrench to the left or to the right until the thickness gauge closes slightly. Repeat this on the right hand side of the mower.
4. Turn the cutting cylinder to test the setting. None of the 5 blades of the cylinder must touch the lower blade.
5. When you have adjusted the cutting tool test it using a piece of newspaper (Fig. W).

**⚠ WARNING! HANDLE THE CUTTING TOOL CAREFULLY TO AVOID CUTTING YOURSELF. WEAR APPROPRIATE GLOVES TO PROTECT YOUR HANDS. ⚠**

## I Disposal / Recycling



Ni-Cd These batteries contain nickel/cadmium cells. After their lifetime has expired, they may not be disposed of as normal house rubbish, but must be disposed of properly.

Please return the battery to a Mantis dealer that sells the battery or take them to a recycling centre that accepts and recycles rechargeable batteries.

## J. Instructions for Correct Use / Safety Instructions

### 1. Checks Before Each Operation

Inspect the unit before each use. Do not use the Mantis Reel Mower if safety devices (safety handle; safety cover) and/or the cutting cylinder are damaged or worn. Never operate the unit with the safety devices by-passed or missing.

Inspect the area of grass you are going to mow before beginning work. Remove any foreign objects (e. g. stones, branches or bones). Check the working area for foreign objects during work.

The cutting cylinder and the lower blade must be checked regularly for damage and properly repaired if necessary.

Cutting tools must only be exchanged by Mantis Service or an authorized specialist dealer.

### 2. Proper Use / Responsibility

This Mantis Reel Mower can cause serious injuries! You are responsible for the safety of the working area. To prevent injuries, never start the motor when the mower is tipped. Risk of injury. Only use the Mantis Reel Mower for the purposes specified in these instructions. Only work when visibility is good.

Guide the mower at a walking pace only. Familiarize yourself with the surroundings of your working area. Check for possible risks which might be not audible due to the noise of the machine.

Wear sturdy shoes and long trousers to protect your legs. Keep fingers and feet away from the cutting tool. Make sure that there are no other people (especially children) or animals anywhere near the working area. Ensure that you have a secure foothold when working.

**ATTENTION!** Take extra care when walking backwards. You may stumble!

If you do come into contact with an obstacle, turn off the Mantis Reel Mower by pulling the battery out of the contact bar. Remove the object, then check the mower for damage and have it repaired if necessary.

### 3. Interruptions of Work

Never leave the Mantis Reel Mower unattended at the working area. If you interrupt your work, store the mower in a safe place. If you interrupt your work to move to another working area, always switch off your Mantis Reel Mower and pull the battery out of the contact bar.

### 4. Check the Environment

Never use the unit when it is raining or in damp or wet areas. Do not operate your Mantis Reel Mower near swimming pools or garden ponds.

Please observe the prescribed local quiet times. Keep the charger in a dry place.

### 5. Notes on Safety Regarding the battery / Danger of Fire

Never charge the battery after having been heated up by operation or sun. Let cool down first.

Never expose the battery to direct sunlight while charging.

Never charge the battery when connected to a 24-Volt tool. Never charge the battery anywhere near acids and easily inflammable materials. Danger of fire!

Only use the battery with the specified tools. Under extreme conditions, some battery acid could escape. This, however, does not represent a defect. Proceed as follows should the casing leak:

1. Immediately wash the affected area of the skin with soap and water.
2. Neutralize the battery acid with vinegar or lemon juice.
3. If battery acid should get into your eyes, rinse your eyes for at least 10 minutes with fresh water. Then contact your doctor immediately!

Do not throw the used battery into fire under any circumstances. Danger of fire!

Contacts should never be bridged with metal or other electric conducting parts. Short-circuit – fire risk!

## K. Trouble-Shooting

The following table contains the problems most frequently occurring and shows how to remedy them.

| <b>Problem</b>                                     | <b>Possible Cause</b>  | <b>Remedy</b>  |
|--|--|--|
| <b>Abnormal noise.<br/>Clattering in the unit.</b> | Motor fixing screws or mower casing loose.   | Tighten screws.  |
| <b>Metal-like hammering noises.</b>                | Foreign body blocking the cutting cylinder.  | Turn off the mower. Pull the battery out of the contact bar. Remove the foreign body.  |
| <b>Motor will not start.</b>                       | The battery is not pushed all the way in.  | Harness is not flat against the battery.   |
|  | Circuit breaker has been triggered.  | Wait approx. 2-5 minutes then turn on the motor again.   |
| <b>Motor turns off.</b>                            | Blocked by foreign body.<br>Blocking protection activated.   | Switch off the motor. Pull the battery out of the contact bar. Remove the foreign body.  |
|  | The cutting height you have selected is too low; you are pushing the mower too quickly.<br>Circuit breaker has been activated. | Let the motor cool for 2 – 5 minutes then use the mower with a higher cutting height and reduce the cutting height in stages until you reach the lower cutting height you require. Push the mower more slowly across the lawn. |
|  | Battery power too low for cutting height   | Increase the cutting height and cut the lawn in stages or charge the battery. (See Chapter H-2. “The Battery”).  |
| <b>Yellow lawn.</b>                                | Cutting height too low.  | Increase the cutting height.   |
| <b>Cut not clean.</b>                              | Cutting gap between cutting cylinder and bottom blade is too wide.   | Readjust cutting tool (refer to section H-4).  |
|  | Blades are blunt or damaged.   | Have the blade replaced at a Service Centre or by an authorized specialist.  |

If you have any other problems with your Mantis Reel Mower, please contact your authorized Mantis dealer or return the defective unit with a short description of the problem and, in case of guarantee, with the appropriate guarantee documents.

**We would draw attention to the fact that, under the product liability legislation, we are not liable for loss or damage caused by our products when such are caused by improper repairs or when during an exchange of parts such parts are used which are not manufactured by or approved by ourselves, and the repairs are not carried out by an authorized Mantis dealer. The same restrictions also apply for supplementary and accessory parts.**



**2 YEAR LIMITED SERVICE & WARRANTY POLICY  
FOR PRUNER ATTACHMENT**

MANTIS extends this limited warranty against defects in material and workmanship for a period of two years from the date of purchase, to the first retail purchaser and each subsequent owner during the warranty period. This warranty covers all portions of the Mantis Pruner Attachment.

MANTIS will repair or replace, at its option, any part or parts of the product proven to be defective in material or workmanship under normal usage during the warranty period. Warranty repairs and replacements will be made without charge for parts or labor. All parts replaced under warranty will be considered as part of the original product, and any warranty on the replaced parts will expire coincident with the original product warranty. In the event of a defect or malfunction, the purchaser must send the product, postage paid to:

Mantis  
2800 Turnpike Dr.  
Suite #1  
2800 Commerce Center  
Hatboro, PA 19040

MANTIS assumes no responsibility in the event that the product was assembled or used in noncompliance with any assembly, care, safety, or operating instructions contained in the Owner's Manual; was not used with reasonable care; or was misused, used for other than normal or intended purposes. This warranty does not extend to parts affected or damaged by normal wear and tear.

MANTIS MAKES NO EXPRESS OR IMPLIED WARRANTIES OR REPRESENTATIONS EXCEPT THOSE CONTAINED HEREIN. THE DURATION OF ANY IMPLIED WARRANTY, INCLUDING MERCHANTABILITY AND FITNESS FOR A PARTICULAR PURPOSE, IS LIMITED TO THE DURATION OF THIS WRITTEN LIMITED WARRANTY. MANTIS DISCLAIMS ALL LIABILITY FOR INDIRECT AND/OR CONSEQUENTIAL DAMAGES. SOME STATES DO NOT ALLOW LIMITATIONS ON HOW LONG AN IMPLIED WARRANTY LASTS AND/OR DO NOT ALLOW THE EXCLUSION OR LIMITATION OF INCIDENTAL OR CONSEQUENTIAL DAMAGES, SO THAT ABOVE LIMITATIONS AND EXCLUSIONS MAY NOT APPLY TO YOU. THIS WARRANTY GIVES YOU SPECIFIC LEGAL RIGHTS, AND YOU MAY ALSO HAVE OTHER RIGHTS WHICH VARY FROM STATE TO STATE.

**MANTIS**  
**1028 Street Road**  
**Southampton , PA 18966**  
**(215) 355-9700**