

READ AND UNDERSTAND THESE INSTRUCTIONS BEFORE INSTALLING FIXTURE

This fixture is intended for installation in accordance with the National Electrical Code and local regulations. To assure full compliance with local codes and regulations, check with your local electrical inspector before installation. To prevent electrical shock, turn off electricity at fuse box before proceeding.

Retain these instructions for maintenance reference.

INSTRUCTION SHEET NO.

IS:40714

1292 Page 1 of 2

INSTRUCTIONS FOR INSTALLATION OF TRADITIONAL STYLE RADIANCE PENDANTS

FIXTURE ASSEMBLY AND INSTALLATION:

1. Carefully remove CENTER STEM ASSEMBLY from packaging.
2. Unscrew KNURLED RING from CANOPY LOOP and allow KNURLED RING and CANOPY to slide down CHAIN to expose CROSSBAR.
3. Mount CROSSBAR and CENTER STEM ASSEMBLY/CHAIN to OUTLET BOX using OUTLET BOX SCREWS (provided with outlet box).
4. Make electrical connections: black fixture lead or fixture lead without tracer marks to (hot) black supply lead; white fixture lead or fixture lead with tracer mark to (neutral) white supply lead. Uninsulated wire is a ground and must be attached to GREEN GROUND SCREW enclosed in CUPPED WASHER and tightened in place to crossbar, then connected to grounding terminal or ground lead inside OUTLET BOX. Use WIRENUTS (local hardware item).
CAUTION: Push supply wires and wirenut connections back into OUTLET BOX.
5. Adjust NIPPLE into CROSSBAR to proper CANOPY depth and secure NIPPLE in place by tightening LOCKNUT against CROSSBAR.
6. Slide CANOPY up CHAIN and secure against ceiling by threading KNURLED RING onto CANOPY LOOP.
7. Loosen and remove three BATTERY NUTS and STAR WASHERS from MOUNTING STUDS on LOWER FIXTURE ASSEMBLY.
8. Raise LOWER FIXTURE ASSEMBLY to MOUNTING PLATE on CENTER STEM ASSEMBLY and make electrical connections: Snap together BLACK CONNECTOR from LOWER FIXTURE ASSEMBLY to BLACK CONNECTOR from CENTER STEM ASSEMBLY; WHITE CONNECTOR from LOWER FIXTURE ASSEMBLY to WHITE CONNECTOR from CENTER STEM ASSEMBLY; GREEN CONNECTOR from LOWER FIXTURE ASSEMBLY to GREEN CONNECTOR from CENTER STEM ASSEMBLY. Push connectors up inside CENTER STEM ASSEMBLY.
CAUTION: Do not allow LOWER FIXTURE ASSEMBLY to hang directly from electrical connections.
9. Secure LOWER FIXTURE ASSEMBLY to CENTER STEM ASSEMBLY by passing the three MOUNTING STUDS up through the holes in MOUNTING PLATE. Reinstall STAR WASHERS and BATTERY NUTS onto MOUNTING STUDS and fully tighten.
CAUTION: Make certain QUICK CONNECTORS and wires are not pinched between MOUNTING PLATE and LOWER FIXTURE ASSEMBLY.
NOTE: If supply wires are located within three inches of ballast, use wire rated for at least 90° C.

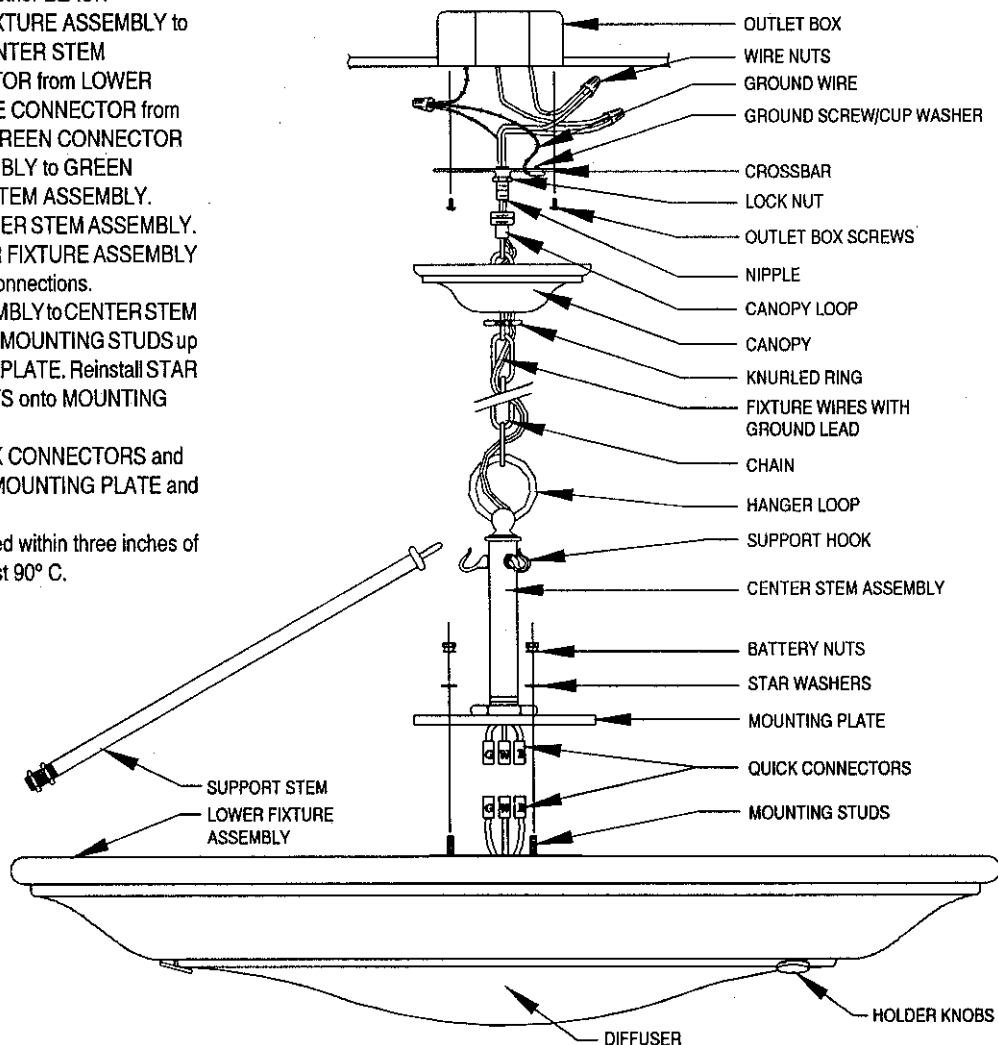


FIG. 1

INSTRUCTIONS FOR INSTALLATION OF TRADITIONAL STYLE RADIANCE PENDANTS CONTINUED

SUPPORT STEM ATTACHMENT AND ADJUSTMENT:

1. Loosen LOWER NUT on end of SUPPORT STEM until it is nearly to the end.
2. Hook opposite end of SUPPORT STEM onto the SUPPORT HOOK on CENTER STEM ASSEMBLY and allow SUPPORT STEM to swing down so the STEM rest in the SLOT in the SUPPORT BRACKET (Fig. 3A).
3. Tighten LOWER NUT against the SUPPORT BRACKET until SUPPORT STEM draws tight on SUPPORT HOOK (Fig. 3B).
4. Secure in place by tightening UPPER NUT against SUPPORT BRACKET (Fig. 3C).
5. Repeat for remaining SUPPORT STEMS.

DIFFUSER CLEANING AND REMOVAL:

CAUTION: Turn power off to fixture before attempting to clean.

Diffuser can be cleaned from above the fixture by removing lamps and cleaning DIFFUSER with a soft damp cloth. Should DIFFUSER need to be removed for cleaning, follow steps below.

1. Remove lamps from fixture.
2. From below fixture, push up on one side of the DIFFUSER and allow the opposite side to drop down passed HOLDER KNOB (Fig. 1).
3. Slide DIFFUSER out on an angle from LOWER FIXTURE ASSEMBLY:

NOTE: DIFFUSER may have to be gently compressed on either side to pass through opening in LOWER FIXTURE ASSEMBLY.

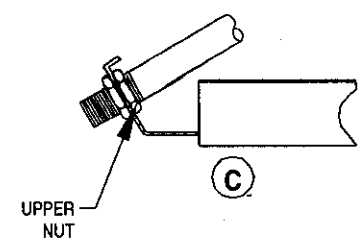
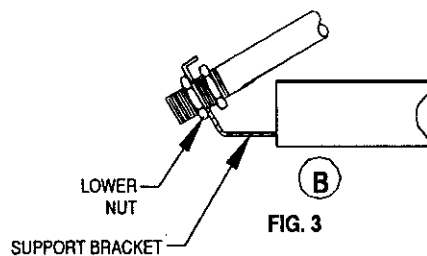
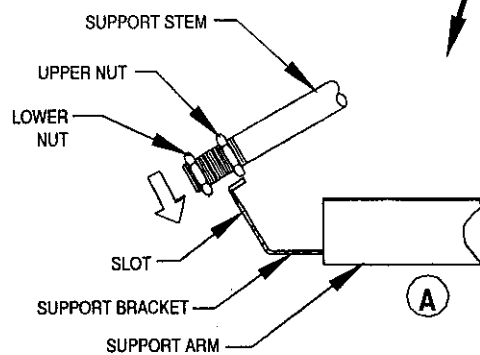
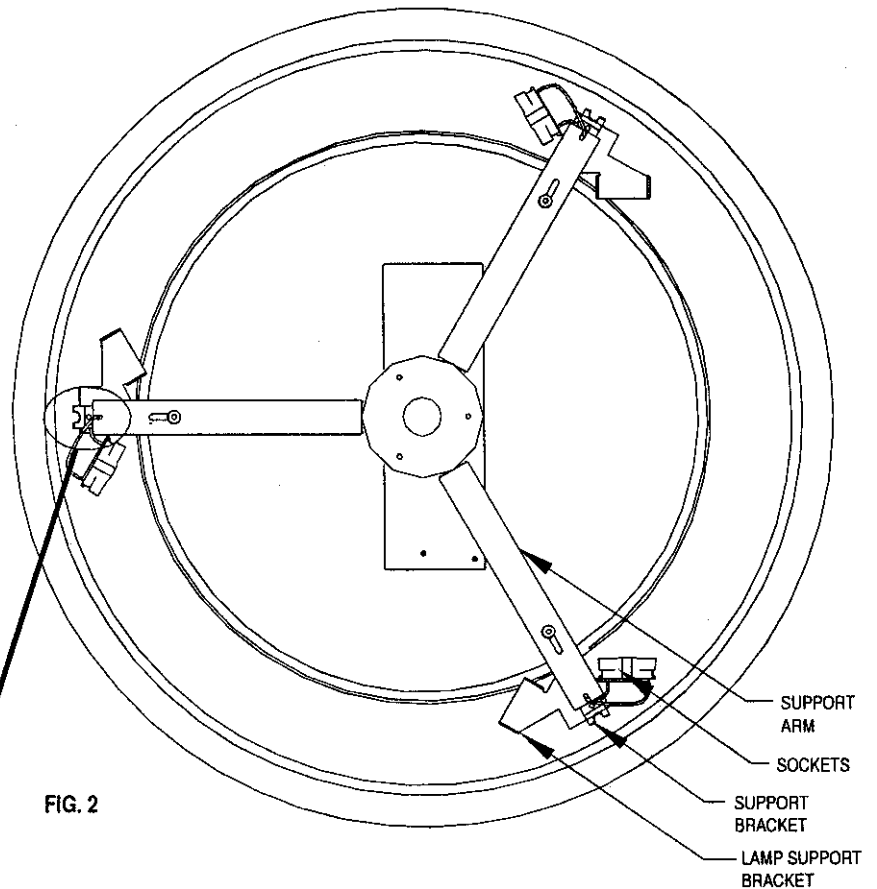


FIG. 3