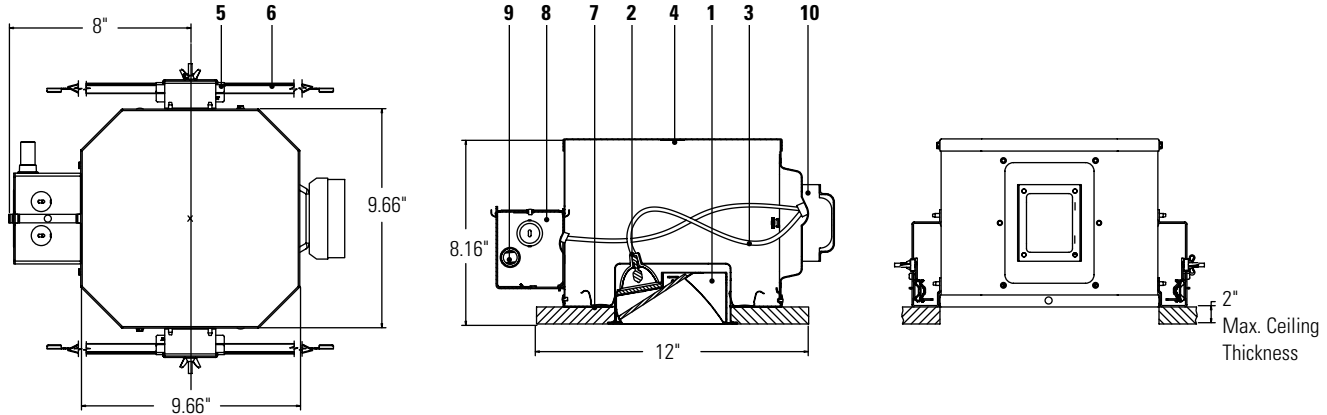


Calculite® Matrix Low Voltage Lensed Wall Wash **C4X4MRL**

Page 1 of 1

4½" X 4½" Square Aperture (1) MR16 Low Voltage



Ceiling Cutout: 5 1/4" x 5 1/4" (130 mm x 130mm) Dia.

Ordering Information

Frame-In Kits	Reflector Trims	Finish/Flange	Lamp
C4X4LVMU Magnetic 120/277V C4X4LVE1 Electronic 120V C4X4LVE2 Electronic 277V	C4X4MRLCLW C4X4MRLCLP C4X4MRLCCLW C4X4MRLCCLP C4X4MRLCCDW C4X4MRLCCDP C4X4MRLWHW	Specular Clear/White Specular Clear/Polished Comfort Clear/White Comfort Clear/Polished Comfort Clear Diffuse/White Comfort Clear Diffuse/Polished White/White	(1) 12V MR16 Type Lamp 65W Max or IR 37W Max

Features

- Reflector Trim:** 55° physical and reflected cutoff. Available with integral flange painted white or polished to match inside of cone.
- Lamp Holder:** Unitized optics ensure alignment of lamp and aperture cone. Directional and soft focus lens ships standard. Adjust trim kit vertically to accommodate up to 2" thick ceiling.
- Socket:** Ceramic body with mica cover, GX5.3 (MR-16) base.
- Frame Housing:** Steel, 0.029" (22-Ga.), matte black finish. Removable cover for top relamping.
- Frame Vertical Adjustment Mechanism:** Accommodates mounting to virtually any ceiling system using pre-installed mounting bars, or ½" EMT tubing (by others). Single locking feature secures all adjustments. Alignment holes and markings allow fixture to be pre-set prior to installation. Final adjustment can be made from below from inside the fixture.
- Mounting Bars:** Galvanized steel, 0.048" (18-ga.), pre-installed telescoping bars extend to 30" long and lock securely into position. Built-in locking tabs provide positive attachment to common T-bar systems. Self-centering feature simplifies installation in 24" O.C. grid systems. Attaches to steel or wood joists without accessories.
- Retention Springs:** Rust resistant springs secure trim for quick, tool-less installation.
- Junction Box:** 0.059" (16-ga.) galvanized steel. UL listed for 8 No. 12 AWG, 90°C through branch circuit conductors. Allows inspection from below.
- Thermal Protector:** Meets NEC and UL requirements. Do not install insulation above nor within 3" (76mm) of any part of the luminaire.
- Transformer:** Replaceable from below. Magnetic: 120/277V 60 Hz. Dual-voltage, core & coil. Electronic: 120V or 277V 50/60 Hz., regulated lamp voltage, HPF, EMI and circuit protections, thermal auto-reset, quiet operation.

Options and Accessories

Accepts one optical accessory
 2" diameter color filter/specialty filter: ADF2/AF2

Labels

UL, cUL (Suitable for Wet Locations)

Job Information

Type:

Job Name:

Cat. No.:

Lamp(s):

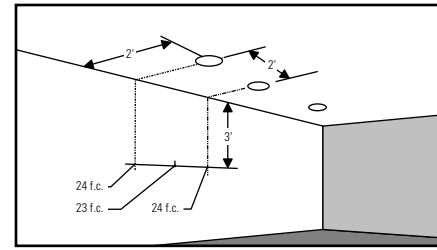
Notes:

Lightolier a Genlyte company www.lightolier.com
 631 Airport Road, Fall River, MA 02720 • (508) 679-8131 • Fax (508) 674-4710
 We reserve the right to change details of design, materials and finish.
 © 2007 Genlyte Group LLC • A0507

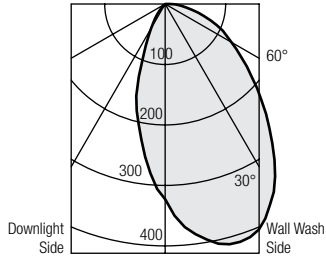
LIGHTOLIER®

Calculite® Matrix Low Voltage Lensed Wall Wash **C4X4MRL**

Lighting Data - Example (37W)
C4X4MRCLW illumination on the wall 3' down from the ceiling is 24 f.c. beneath and 23 f.c. between fixtures.



4½" x 4½" Aperture 37W MR16 IR-40°



Lumen Rating = 840 LMS.
 Efficiency = 55.1%

Multiple Units - Footcandles On Wall

2' from Wall - 2' On Center

Distance From Ceiling in Feet	□ <--- 2' ---> □		
	1	26	25
2	30	28	30
3	24	23	24
4	18	18	18
5	14	13	14
6	11	11	11
7	7	7	7
8	6	6	6
9	5	5	5
10	4	4	4

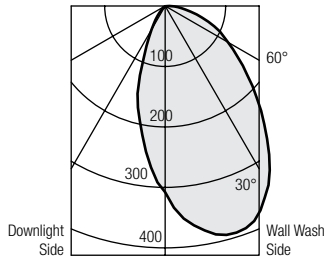
Multiple Units - Footcandles On Wall

2' from Wall - 3' On Center

Distance From Ceiling in Feet	□ <--- 2' ---> □		
	1	22	12
2	24	16	24
3	18	14	18
4	13	11	13
5	9	8	9
6	7	7	7
7	5	5	5
8	4	4	4
9	4	3	4
10	3	3	3

Tested According To Ies Procedures. Test Distance Exceeds Five Times The Greatest Luminous Opening Of Luminaire

4½" x 4½" Aperture 50W MR16-40°



Lumen Rating = 800 LMS.
 Efficiency = 55.1%

Multiple Units - Footcandles On Wall

2' from Wall - 2' On Center

Distance From Ceiling in Feet	□ <--- 2' ---> □		
	1	25	24
2	29	27	29
3	23	22	23
4	17	17	17
5	13	12	13
6	10	10	10
7	7	7	7
8	6	6	6
9	5	5	5
10	4	4	4

Multiple Units - Footcandles On Wall

2' from Wall - 3' On Center

Distance From Ceiling in Feet	□ <--- 2' ---> □		
	1	25	24
2	29	27	29
3	23	22	23
4	17	17	17
5	13	12	13
6	10	10	10
7	7	7	7
8	6	6	6
9	5	5	5
10	4	4	4

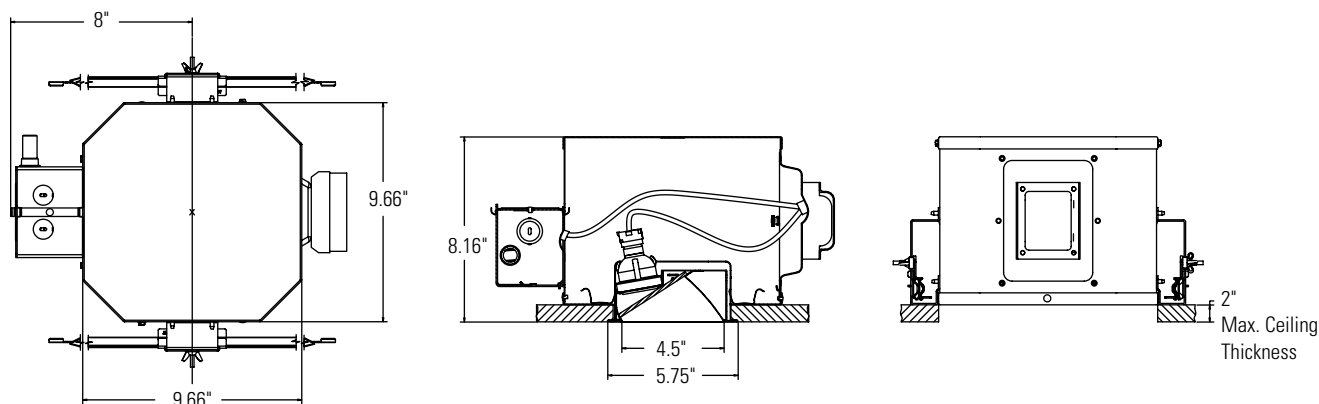
Tested According To Ies Procedures. Test Distance Exceeds Five Times The Greatest Luminous Opening Of Luminaire

Job Information

Type:

Lightolier a Genlyte company www.lightolier.com
 631 Airport Road, Fall River, MA 02720 • (508) 679-8131 • Fax (508) 674-4710
 We reserve the right to change details of design, materials and finish.
 © 2007 Genlyte Group LLC • A0507

Calculite® Matrix HID Lensed Wall Wash **C4X4MRL**



Ceiling Cutout: 5 1/4" x 5 1/4" (130 mm x 130mm) Dia.

Ordering Information

Frame-In Kits	Reflector Trims	Finish/Flange	Lamp
C4X420MREU Electronic 120/277V	C4X4MRLCLW C4X4MRLCLP C4X4MRLCCLW C4X4MRLCCLP C4X4MRLCCDW C4X4MRLCCDP C4X4MRLWHW	Specular Clear/White Specular Clear/Polished Comfort Clear/White Comfort Clear/Polished Comfort Clear Diffuse/White Comfort Clear Diffuse/Polished White/White	(1) 20W MR16 CMH GXIC Base

Features

- Reflector Trim:** 55° physical and reflected cutoff. Available with integral flange painted white or polished to match inside of cone.
- Lamp Holder/Trim Adjustment Assembly:** Unitized optics ensure alignment of lamp and aperture cone regardless of ceiling thickness. Directional and soft focus lens ships standard. Adjust trim kit vertically to accommodate up to 2" thick ceiling.
- Socket:** Twist and lock base. 5kV (600V) pulse rated PPS, black T240 body socket with nickel-plated contacts. 18 AWG silicone leads with fiberglass outer sleeve.
- Frame Housing:** Steel, 0.029" (22-Ga.), matte black finish. Removable cover for top relamping.
- Frame Vertical Adjustment Mechanism:** Accommodates mounting to virtually any ceiling system using pre-installed mounting bars, or ½" EMT tubing (by others). Single locking feature secures all adjustments. Alignment holes and markings allow fixture to be pre-set prior to installation. Final adjustment can be made from below from inside the fixture.
- Mounting Bars:** Galvanized steel, 0.048" (18-ga.), pre-installed telescoping bars extend to 30" long and lock securely into position. Built-in locking tabs provide positive attachment to common T-bar systems. Self-centering feature simplifies installation in 24" O.C. grid systems. Attaches to steel or wood joists without accessories.
- Retention Springs:** Rust resistant springs secure trim for quick, tool-less installation.
- Ballast/Cover Assembly:** Accessible from below and removable without tools for inspection and ballast replacement.
- Junction Box:** 0.059" (16-ga.) galvanized steel. UL listed for 8 No. 12 AWG, 90°C through branch circuit conductors. Allows inspection from below.
- Thermal Protector:** Meets NEC and UL requirements. Do not install insulation above nor within 3" (76mm) of any part of the luminaire.
- Electronic Ballast:** 120 or 277V, 50/60 Hz., enclosed, high power factor >0.99, THD <10%, thermally and transient protected, RMI/RFI complies with FCC Part 18 non-consumer limits, shut-down at end of lamp life, sound rating "A", Minimum starting temperature -30°, Type 1 Outdoor rating.

Features (continued)

Ballast	ANSI Code	Voltage	Max. Amps	Input Watts
20W MH	M156	120/277V	0.20/0.09	22

Options and Accessories

Does not accept any optical accessories.

Labels

UL, cUL (Suitable For Wet Locations)

Job Information

Type:

Job Name:

Cat. No.:

Lamp(s):

Notes:

Lightolier a Genlyte company

www.lightolier.com

631 Airport Road, Fall River, MA 02720 • (508) 679-8131 • Fax (508) 674-4710

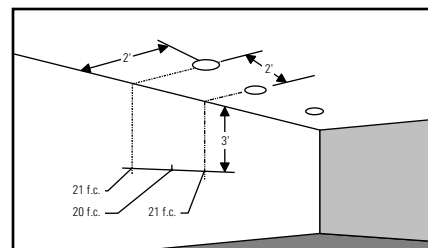
We reserve the right to change details of design, materials and finish.

© 2007 Genlyte Group LLC • A0507

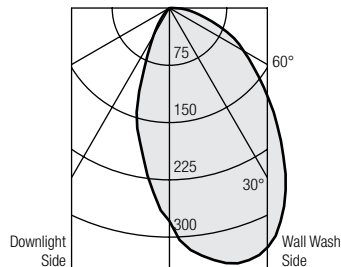
Calculite® Matrix HID Lensed Wall Wash **C4X4MRL**

Lighting Data - Example

Illumination on the wall 3' down from the ceiling is 21 f.c. beneath and 20 f.c. between fixtures.



4½" x 4½" Aperture 20W CMH MR16-40°



20W G.E.HID MR16 40° WFL,
GX10 BASE

Lumen Rating = 1000 LMS.
Efficiency = 40%
Test Report No. 3413FR

Multiple Units - Footcandles On Wall
2' from Wall - 2' On Center

Distance From Ceiling in Feet	□ <--- 2' ---> □		
	1	23	22
2	26	25	26
3	21	20	21
4	15	15	15
5	11	11	11
6	8	8	8
7	7	6	7
8	5	5	5
9	4	4	4
10	4	4	4

Multiple Units - Footcandles On Wall
2' from Wall - 3' On Center

Distance From Ceiling in Feet	□ <--- 3' ---> □		
	1	20	10
2	20	14	20
3	15	12	15
4	11	9	11
5	8	7	8
6	6	6	6
7	4	4	4
8	4	3	4
9	3	3	3
10	3	3	3

Multiple Units - Footcandles On Wall
3' from Wall - 3' On Center

Distance From Ceiling in Feet	□ <--- 3' ---> □		
	1	8	7
2	12	11	12
3	12	11	12
4	11	10	11
5	9	9	9
6	7	7	7
7	6	6	6
8	5	5	5
9	4	4	4
10	4	4	4

Tested According To Ies Procedures. Test Distance Exceeds Five Times The Greatest Luminous Opening Of Luminaire

Job Information

Type:

Lightolier a Genlyte company www.lightolier.com
631 Airport Road, Fall River, MA 02720 • (508) 679-8131 • Fax (508) 674-4710
We reserve the right to change details of design, materials and finish.
© 2007 Genlyte Group LLC • A0507