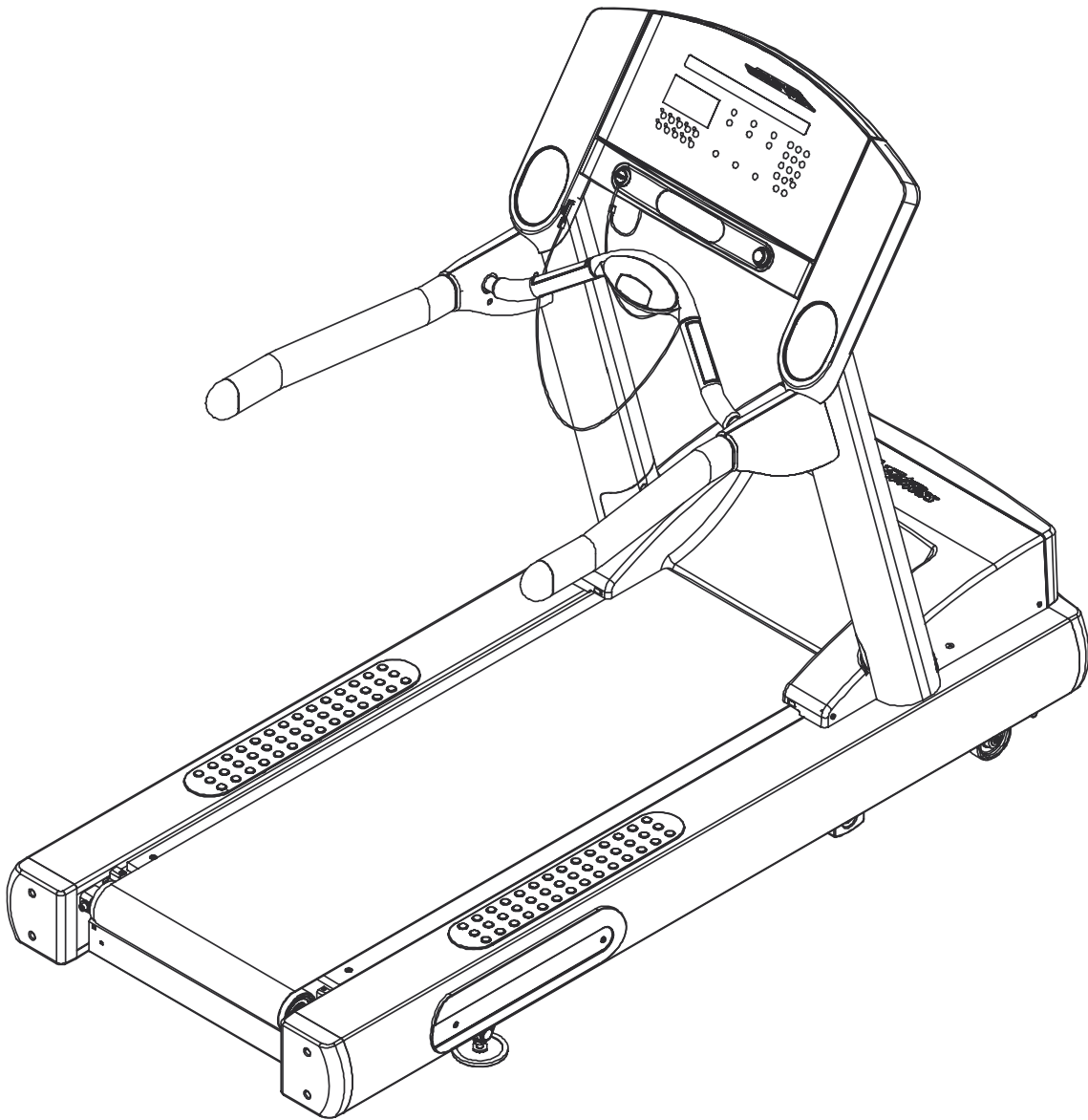


# *LifeFitness*

**Arctic Silver 97TEZ Treadmill**



**Customer Support Services**  
***PARTS MANUAL*** rev. 14 Jul 2006

**ARCTIC SILVER 97TEZ**  
**REFERENCES**

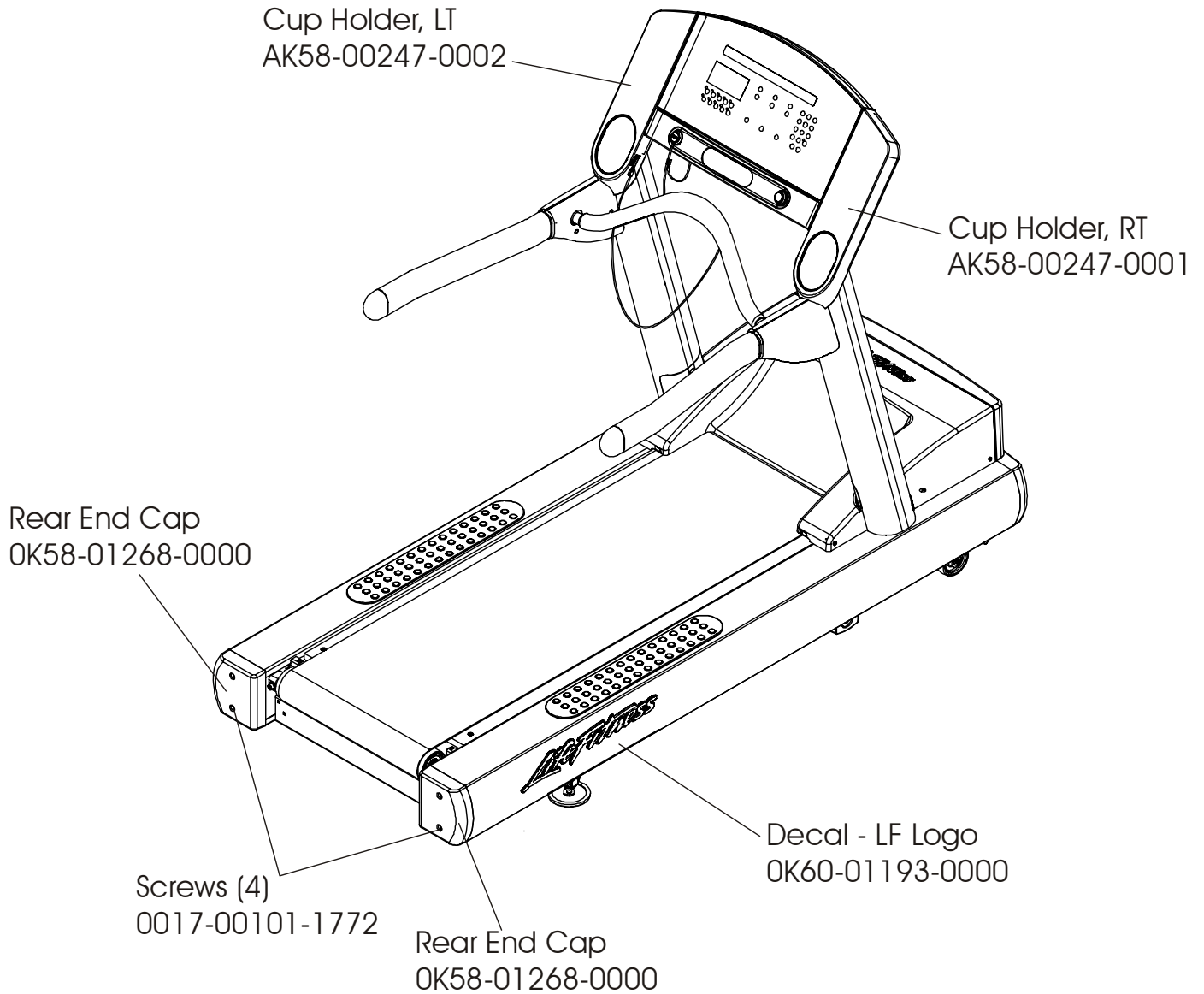
**97TEZ-0xxx-01**  
**S/N TWZ100000 and up**

OPERATION MANUAL	M051-00K58-A232
SERVICE MANUAL	M051-00K58-A159
ACCESS PLATE ASSEMBLY CONSISTS OF: 1) CONNECTOR PLATE 2) F TYPE CONNECTOR	AK58-00329-0000  0K58-01392-0000 0017-00021-2846
COAX CABLE	AK32-00020-0002
HARDWARE BAG	AK58-00226-0000
TOUCH UP PAINT: SPRAY CAN .5 OZ BOTTLE W/APPLICATOR .33 OZ PEN	  0017-00008-0204 0017-00008-0205 0017-00008-0206
PARTS DESCRIPTION for Entertainment	PART NUMBERS
LINE-CORD 125V; 10A; DOMESTIC B	0017-00003-0963
POWER-SUPPLY AC-TO-DC; 12V 6' CORD	0017-00003-0967
POWER-SUPPLY AC-TO-DC; 12V 10' CORD	0017-00003-0970
LINE-CORD 250V; 10A; EUROPEAN B	0017-00003-0964
LINE-CORD 250V; 10A; BRITISH B	0017-00003-0965
LINE-CORD 250V;10A; AUSTRALIAN B	0017-00003-0966
COAX CBL-ASS	AK32-00020-0002

	Page
REAR ENDCAPS AND CUP HOLDERS .....	4
SCUFF PAD, TINSEL, AND FRAME TAG BOARD .....	5
CONSOLE AND RELATED COMPONENTS.....	6
ENTERTAINMENT TV CONSOLE.....	7
CONNECTOR BRACKET .....	8
ENTERTAINMENT MOUNTING BRACKET .....	9
UPRIGHTS, HANDRAILS, AND ERGO BAR .....	10
MOTOR COVER, FRONT COVER, AND ENDCAPS .....	11
BELT, DECK, AND REAR ROLLER.....	12
LIFT FRAME AND LIFT MOTOR.....	13
WAX/LIFT ASSEMBLY .....	14
MOTOR CONTROLLER ASSEMBLY.....	15
DRIVE MOTOR ASSEMBLY .....	16
IDLER ARM ASSEMBLY AND STATIC BRUSH.....	17
LEG LEVELER ASSEMBLY .....	18
FRONT ROLLER ASSEMBLY.....	19
ERGO BAR WITH LIFEPULSE.....	20
POWER COMPONENTS SCHEMATIC .....	21
WAX/LIFT POWER SUPPLY .....	22

**ARCTIC SILVER 97TEZ**  
**Rear End Caps and Cup Holders**

**97TEZ-0xxx-01**  
**S/N TWZ100000 and up**

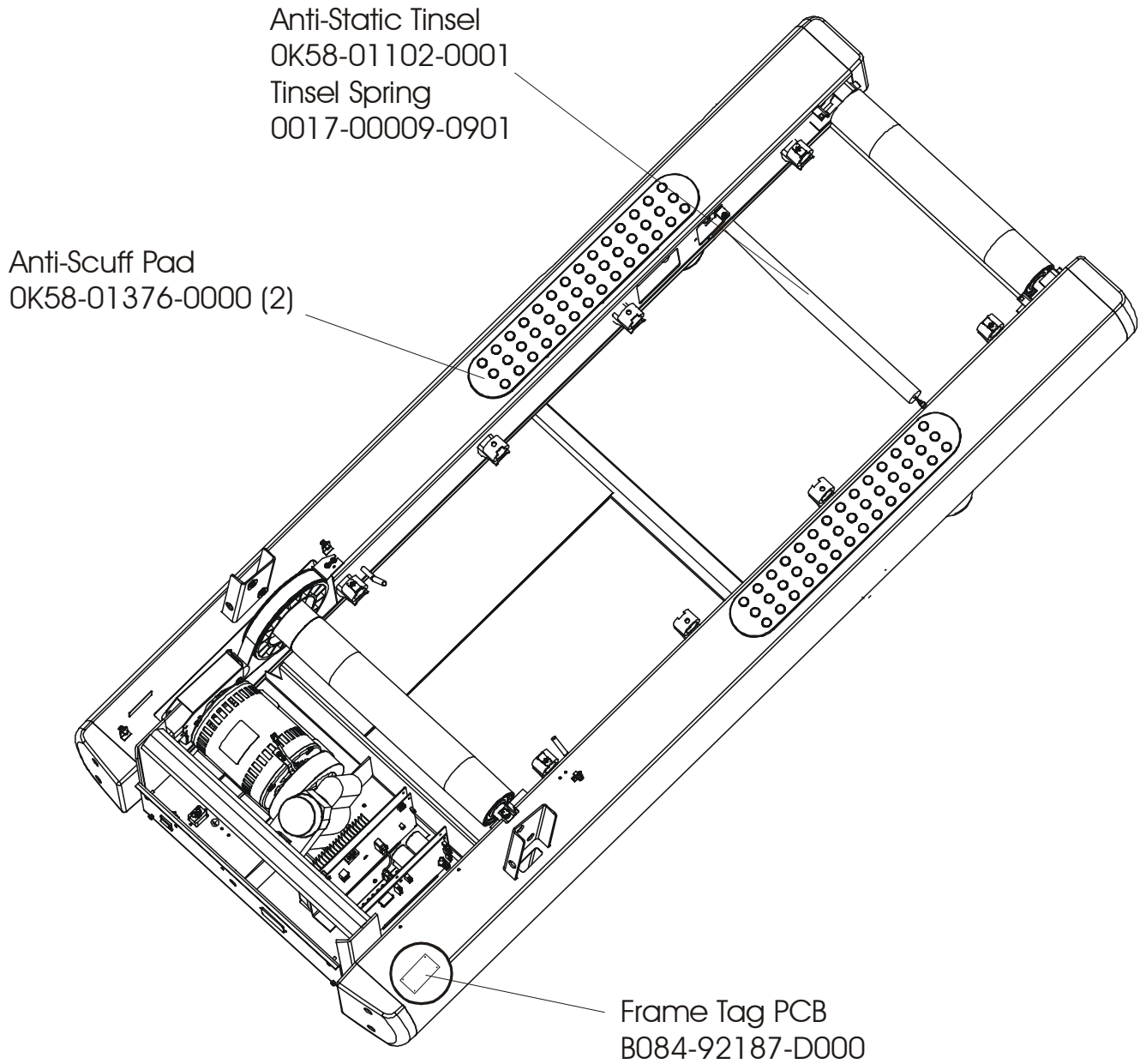


**ARCTIC SILVER 97TEZ**

**Scuff Pad, Tinsel, and Frame Tag Board**

**97TEZ-0xxx-01**

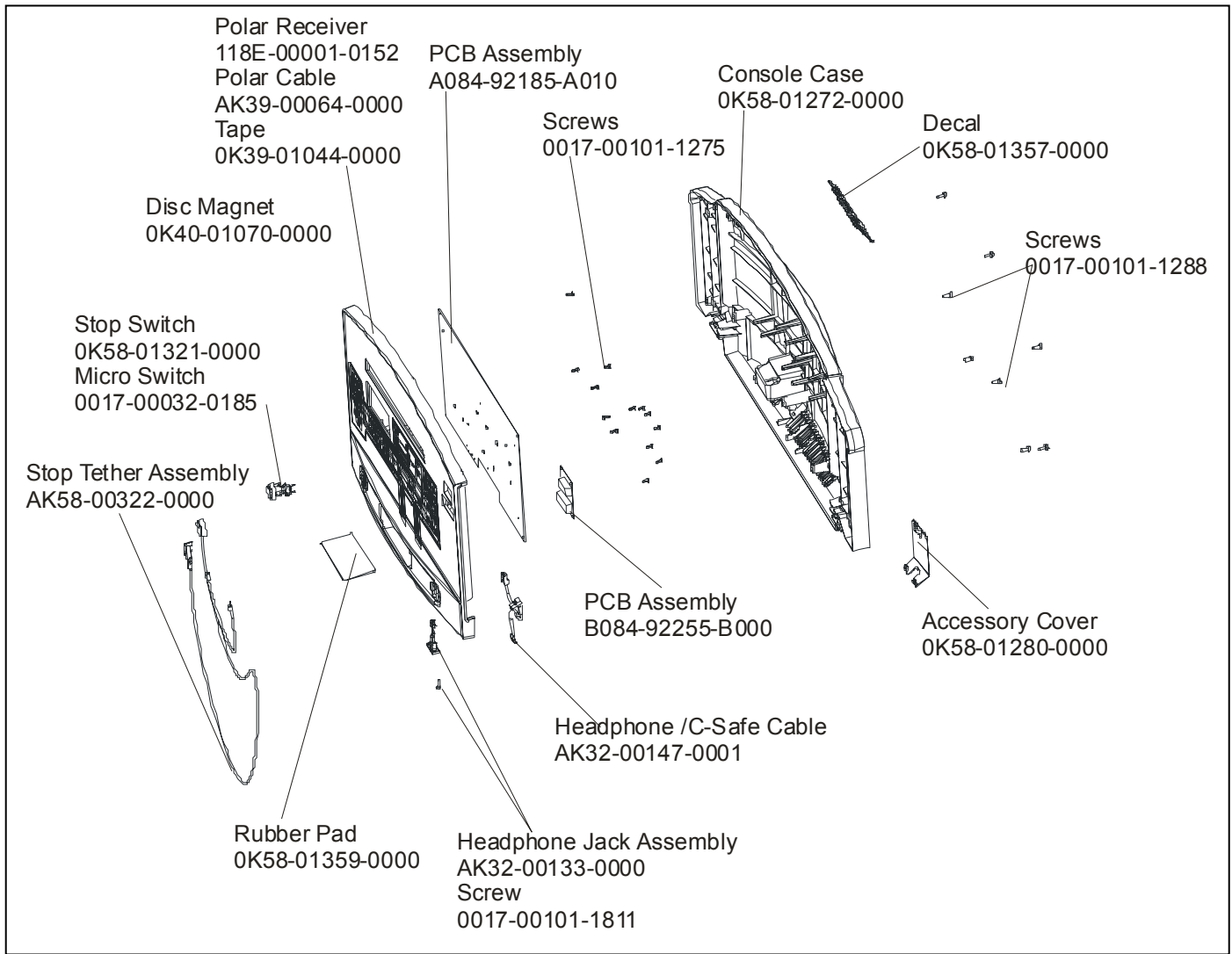
**S/N TWZ10000 and up**



# ARCTIC SILVER 97TEZ

## Console and Related Components

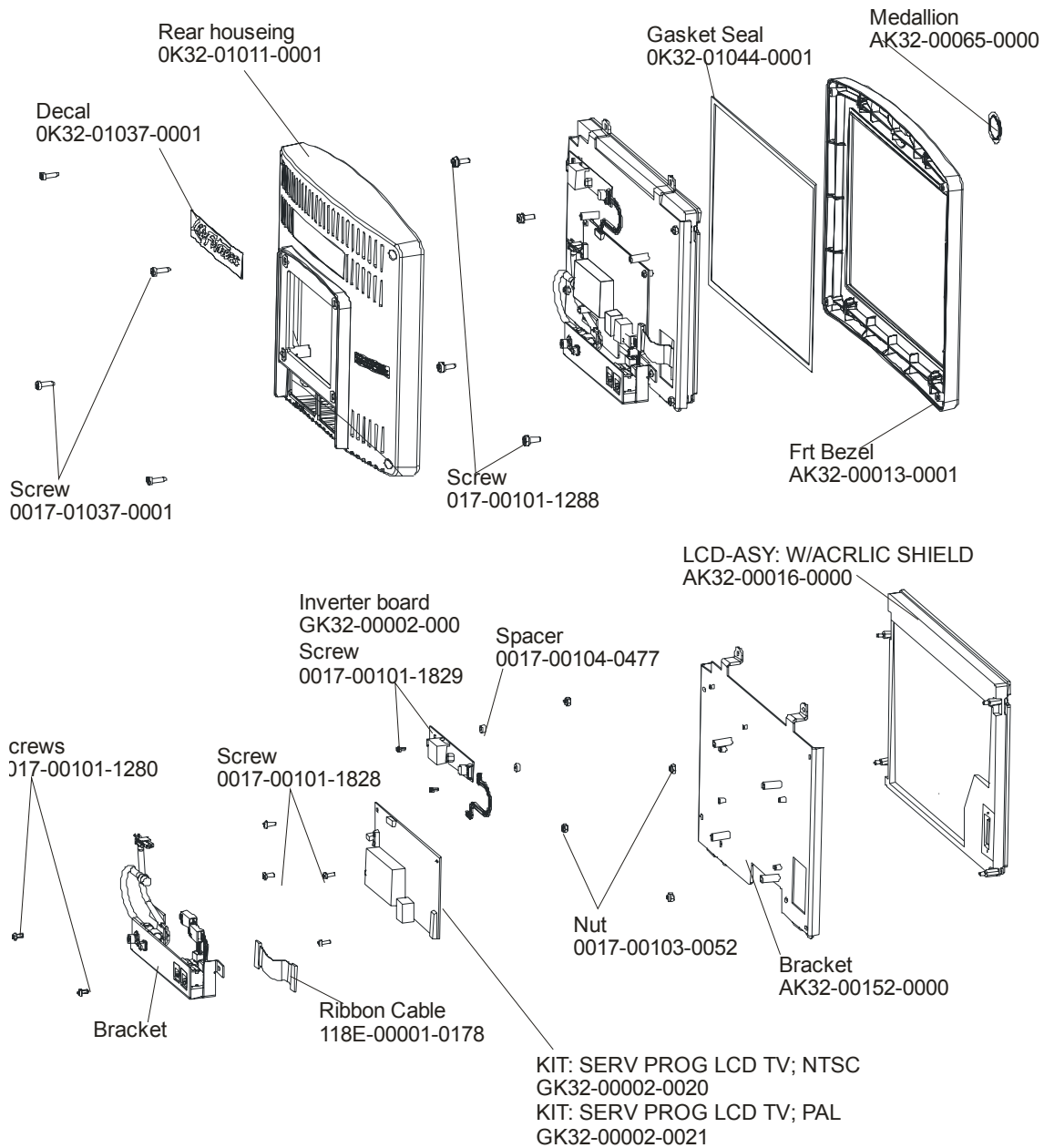
**97TEZ-0xxx-01**  
**S/N TWZ10000 and up**



Console Assembly	Overlay/Bezel/Switch Assy.	Overlay	Language
AK58-00535-0001	CONS-ASSY: 97TEZ; ENG	AK58-00549-0001	BZL/SW W/OVERLAY ASSY: 97TEZ; ENG
AK58-00535-0002	CONS-ASSY: 97TEZ; EUR	AK58-00549-0002	BZL/SW W/OVERLAY ASSY: 97TEZ; EUR
AK58-00535-0003	CONS-ASSY: 97TEZ; GER	AK58-00549-0003	BZL/SW W/OVERLAY ASSY: 97TEZ; MET
AK58-00535-0004	CONS-ASSY: 97TEZ; SPN	AK58-00549-0004	BZL/SW W/OVERLAY ASSY: 97TEZ; SPN
AK58-00535-0007	CONS-ASSY: 97TEZ; FRN	AK58-00549-0007	BZL/SW W/OVERLAY ASSY: 97TEZ; FRN
AK58-00535-0008	CONS-ASSY: 97TEZ; ITL	AK58-00549-0008	BZL/SW W/OVERLAY ASSY: 97TEZ; ITL
AK58-00535-0009	CONS-ASSY: 97TEZ; DUT	AK58-00549-0009	BZL/SW W/OVERLAY ASSY: 97TEZ; DUT
AK58-00535-0010	CONS-ASSY: 97TEZ; POR	AK58-00549-0010	BZL/SW W/OVERLAY ASSY: 97TEZ; POR

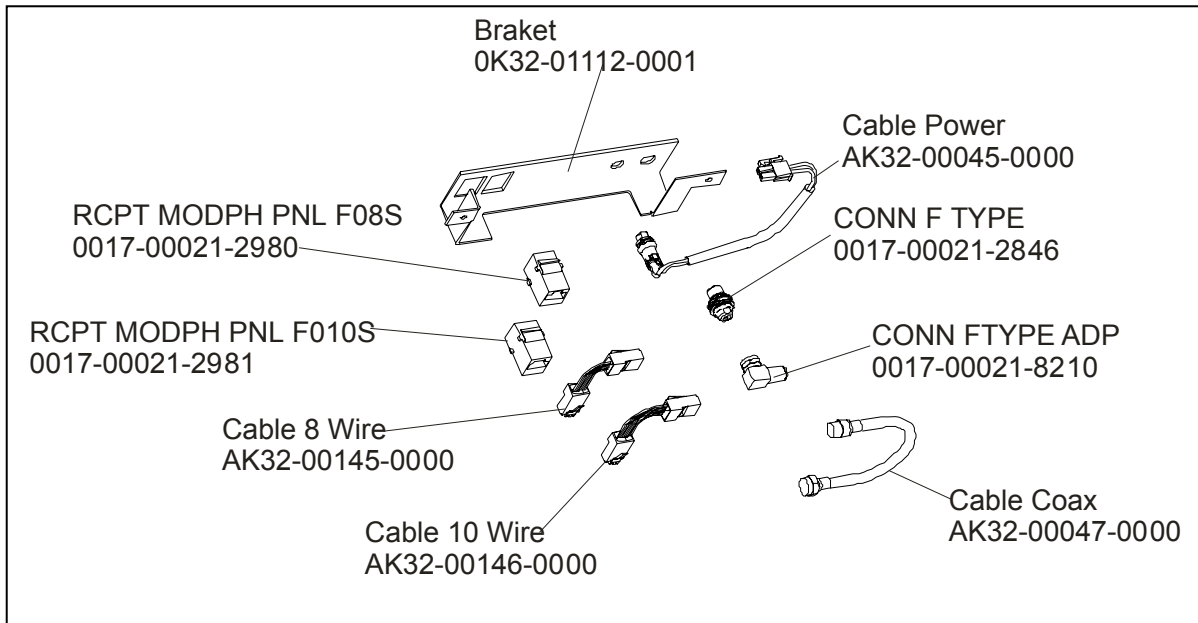
**ARCTIC SILVER 97TEZ**  
**Entertainment TV Console**

**97TEZ-0xxx-01**  
**S/N TWZ10000 and up**



**ARCTIC SILVER 97TEZ**  
**Connector Bracket AK32-00156-0000**

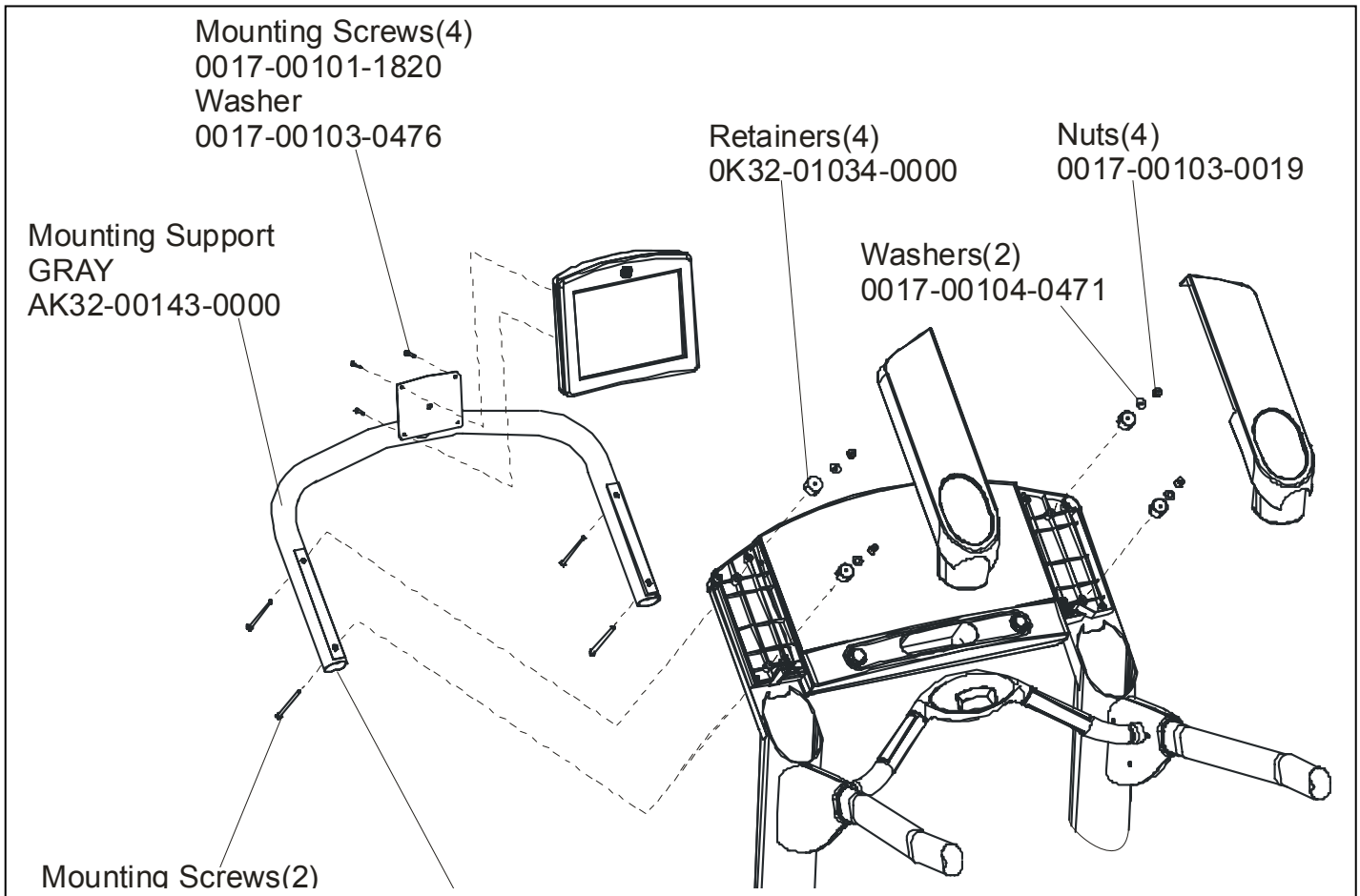
**97TEZ-0xxx-01**  
**S/N TWZ100000 and up**





**ARCTIC SILVER 97TEZ**  
**Entertainment Mounting Bracket**

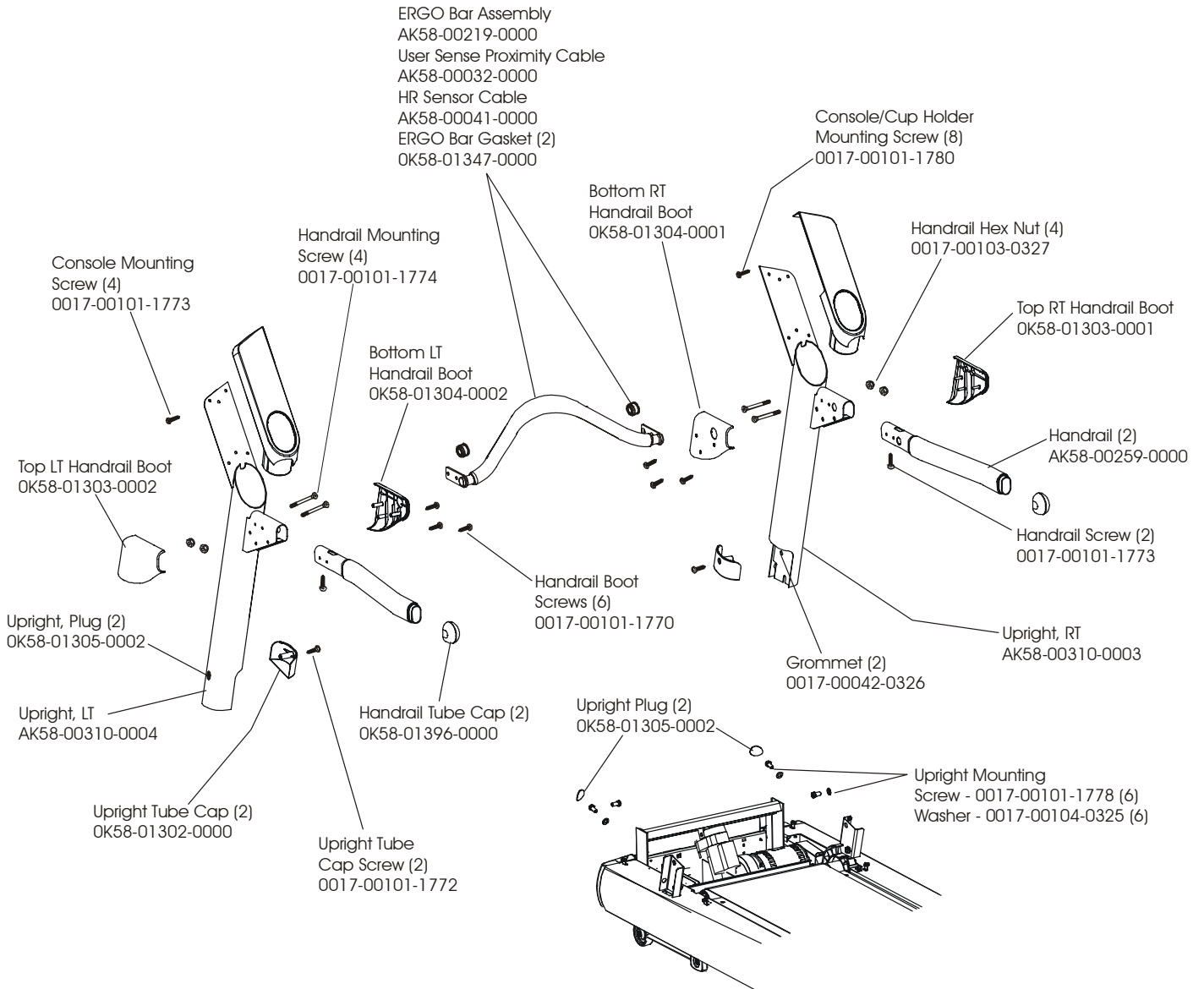
**97TEZ-0xxx-01**  
**S/N TWZ100000 and up**



# ARCTIC SILVER 97TEZ

## Uprights, Handrails, and Ergo Bar

97TEZ-0xxx-01  
S/N TWZ10000 and up

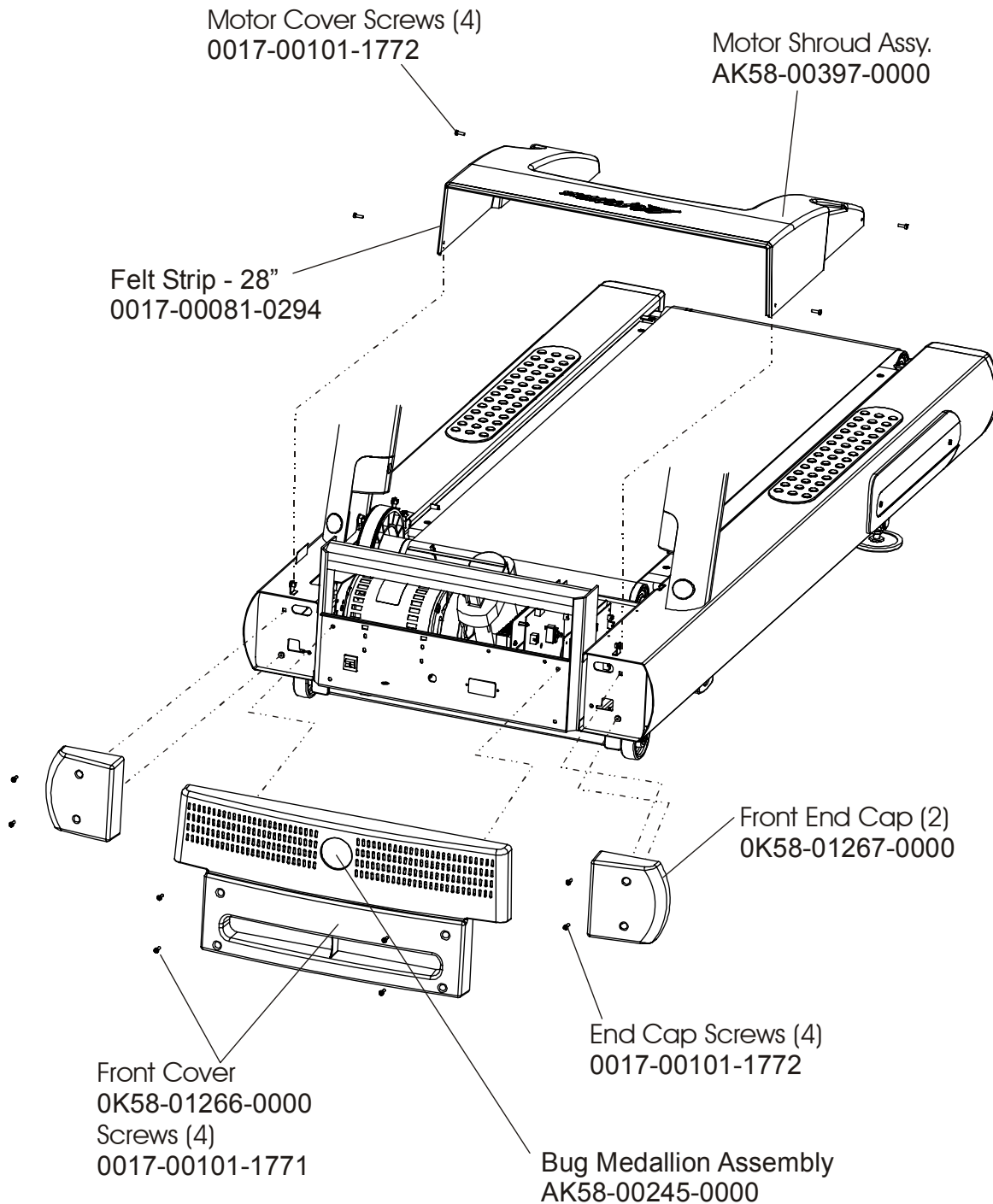


# ARCTIC SILVER 97TEZ

## Motor Cover, Front Cover, and Front End Caps

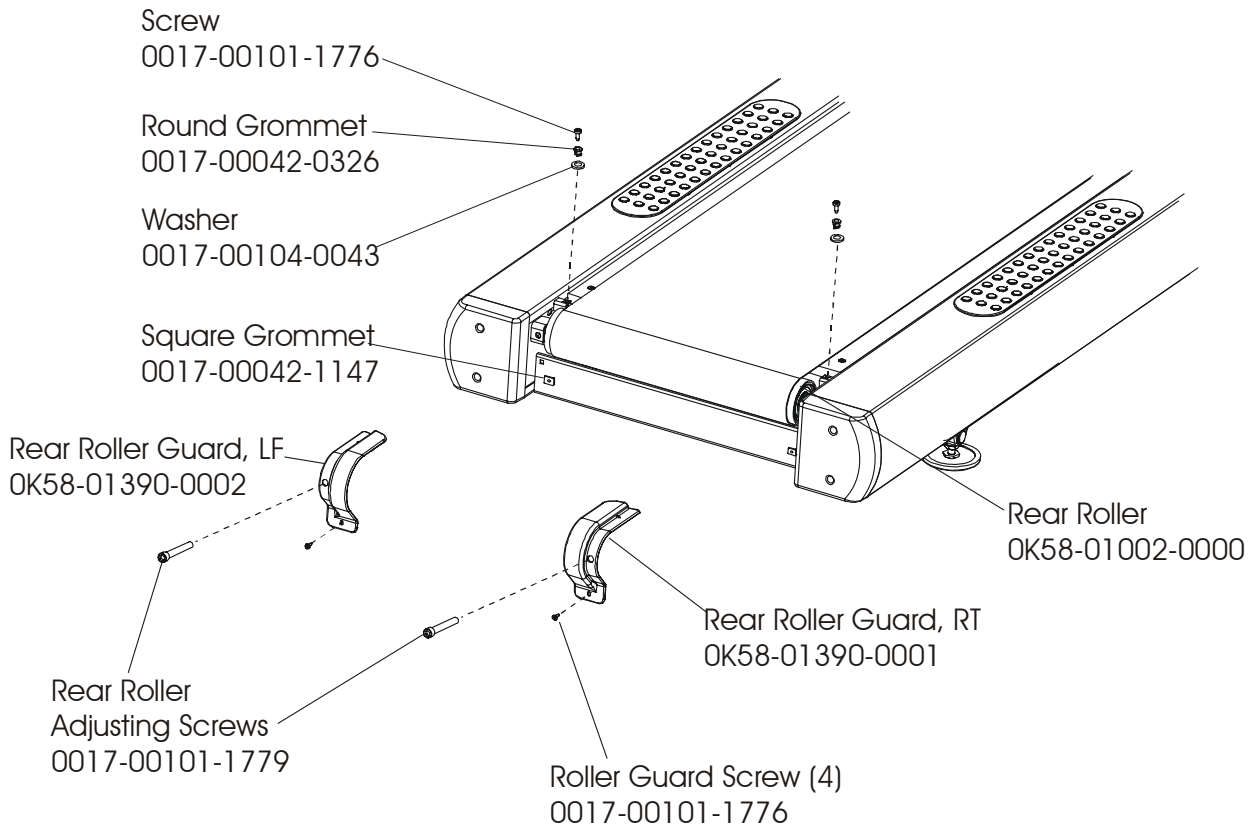
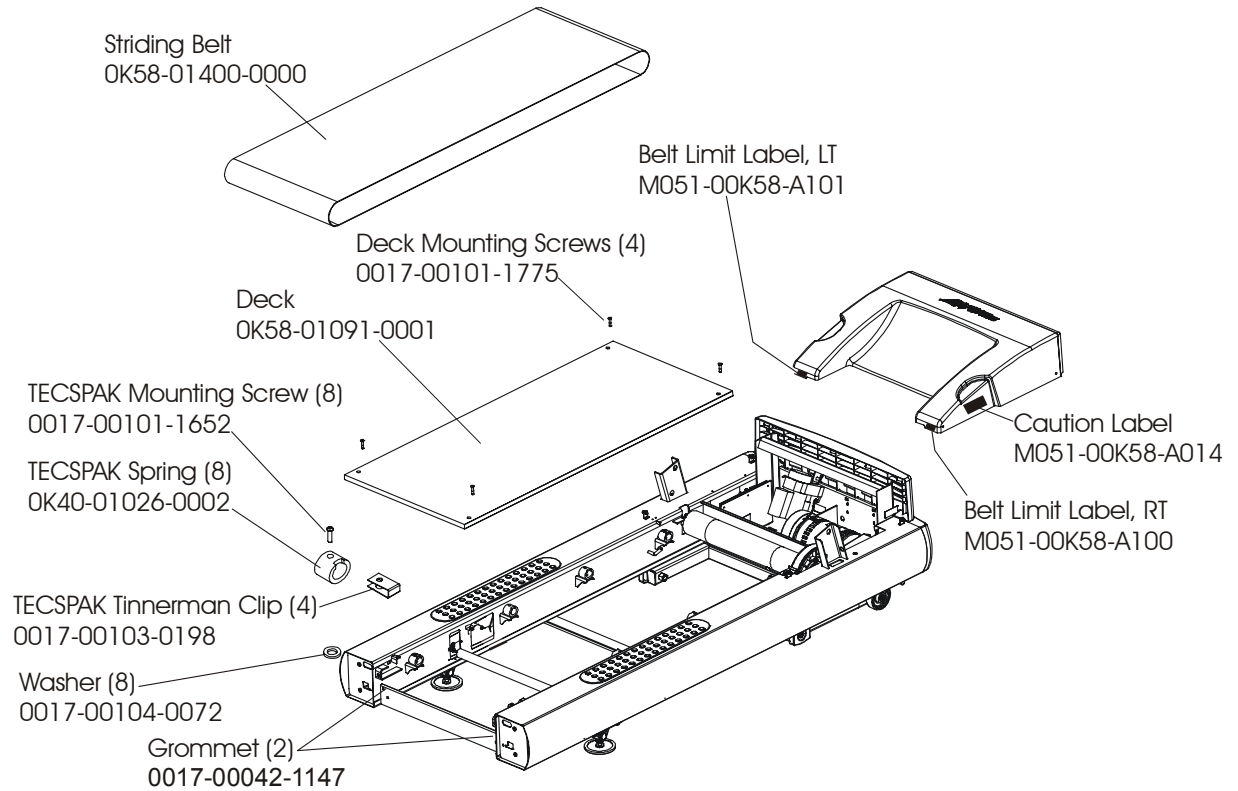
97TEZ-0xxx-01

S/N TWZ10000 and up



**ARCTIC SILVER 97TEZ**  
**Belt, Deck, and Rear Roller**

**97TEZ-0xxx-01**  
**S/N TWZ100000 and up**

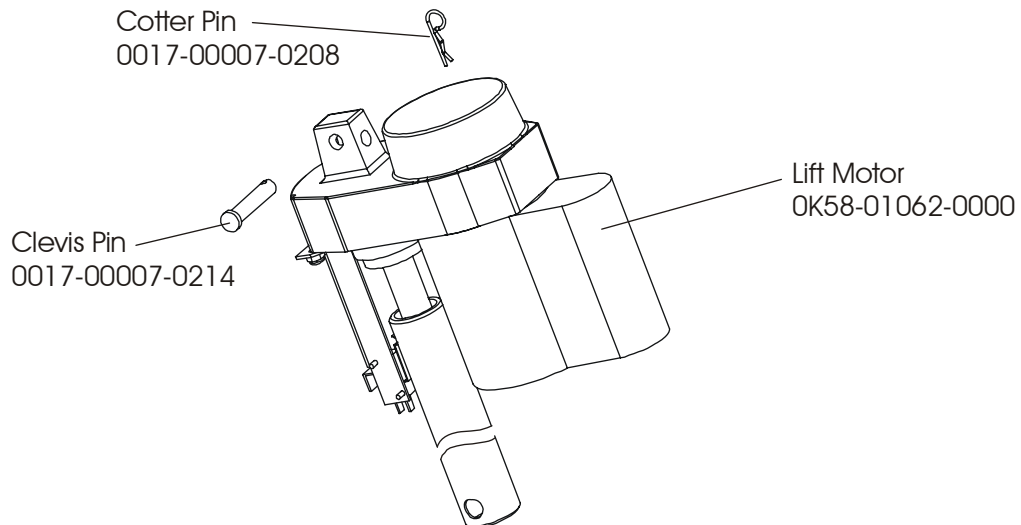
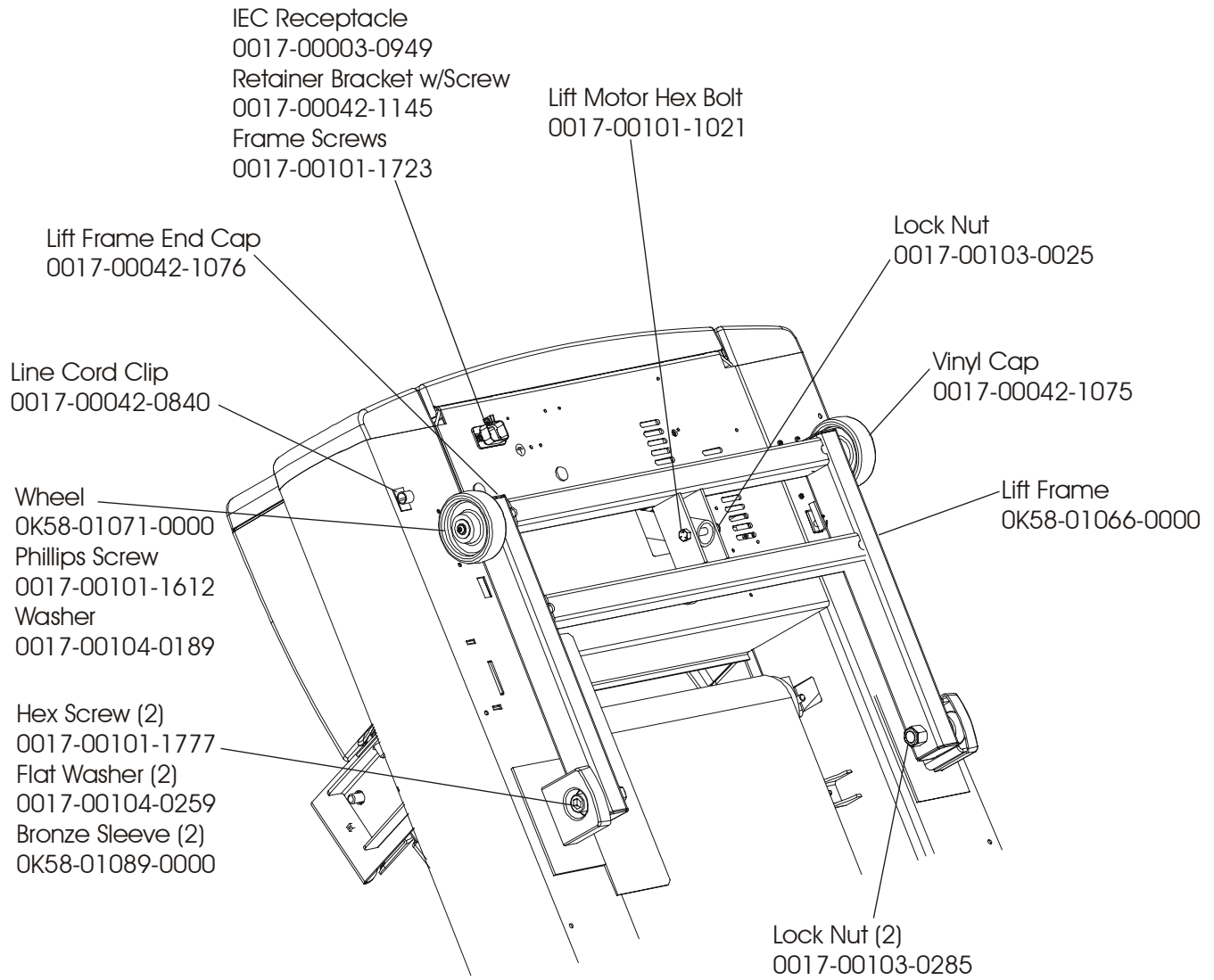


# ARCTIC SILVER 97TEZ

## Lift Frame and Lift Motor

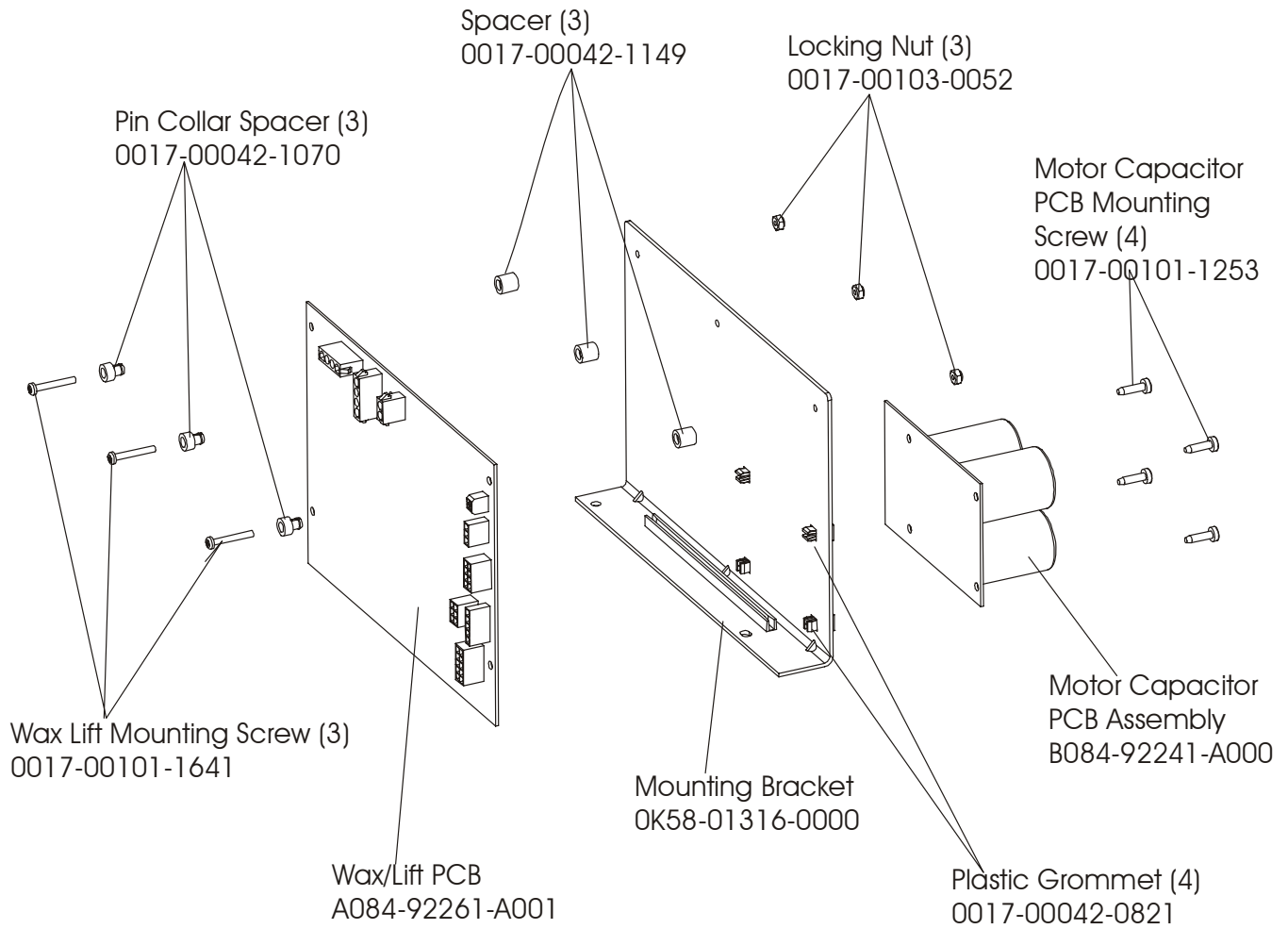
97TEZ-0xxx-01

S/N TWZ10000 and up

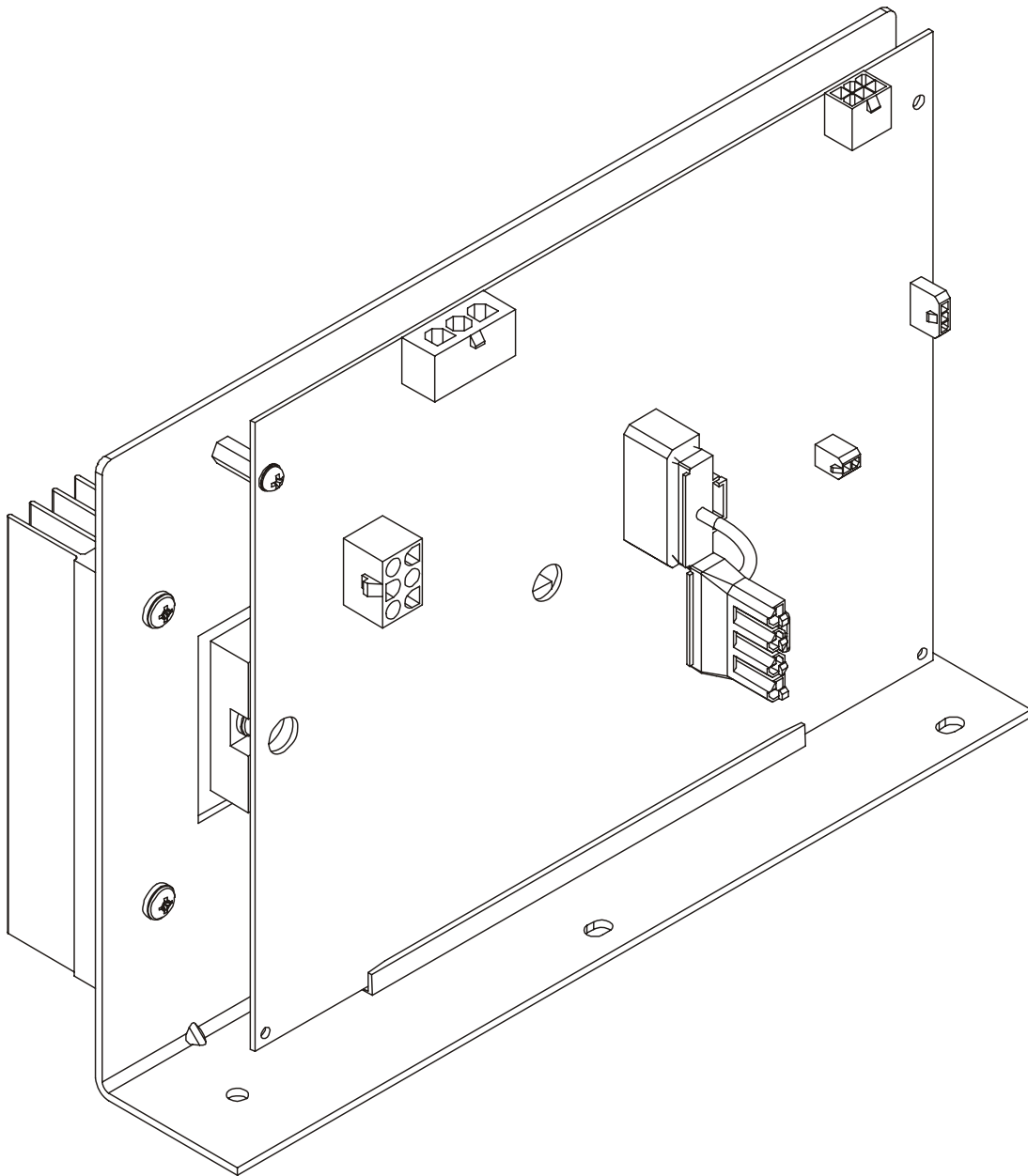


**ARCTIC SILVER 97TEZ**  
**Wax/Lift Assembly-AK58-00243-0000**

**97TEZ-0xxx-01**  
**S/N TWZ100000 and up**

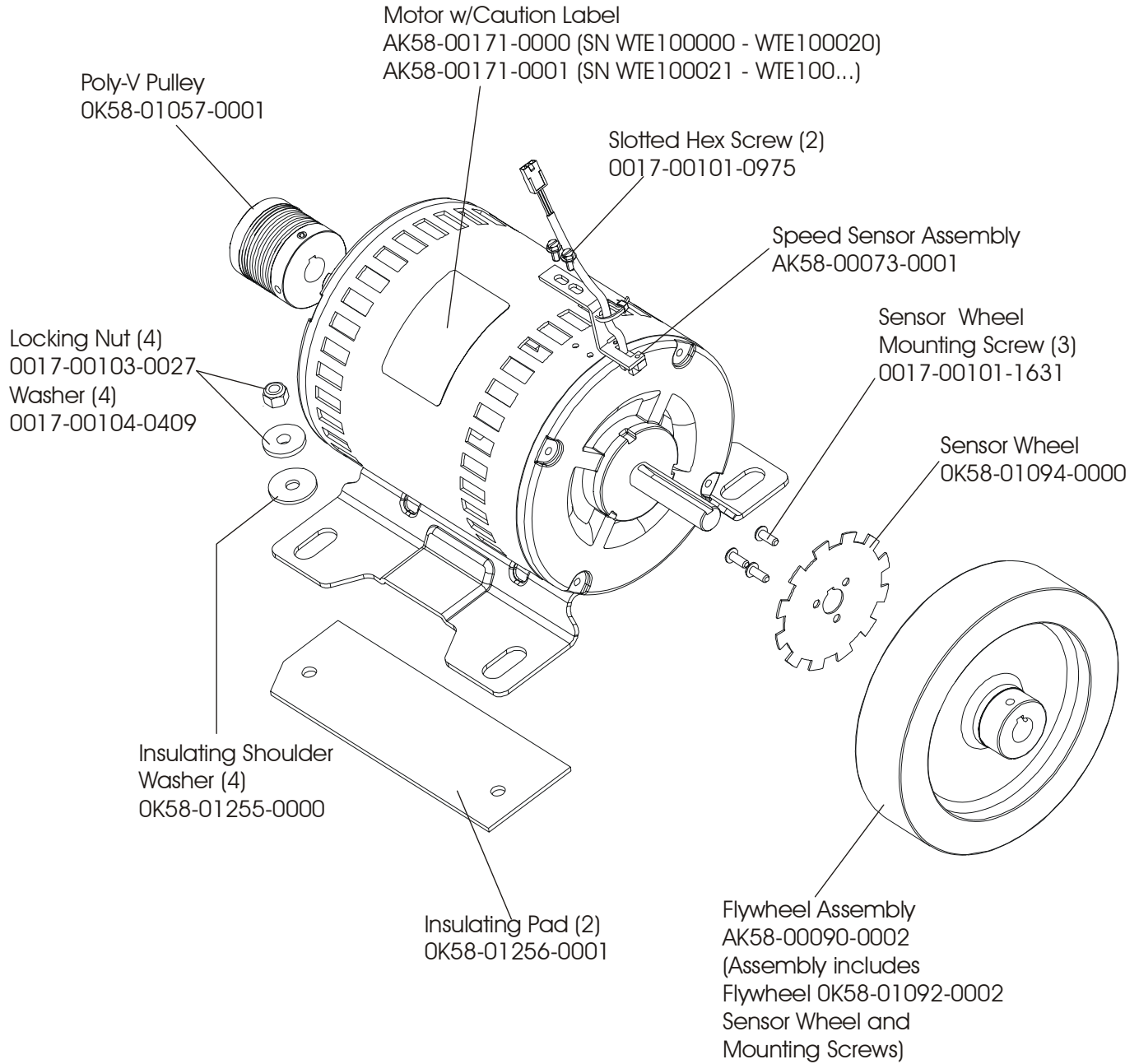


**AK60-00171-0000 (100-120v) W/O FERRITE**  
**AK60-00171-0001 (200-240v) W/O FERRITE**  
**AK60-00171-0002 (100-120v) WITH FERRITE**  
**AK60-00171-0003 (200-240v) WITH FERRITE**



**ARCTIC SILVER 97TEZ**  
**Drive Motor Assembly**

**97TEZ-0xxx-01**  
**S/N WTE100000 and up**

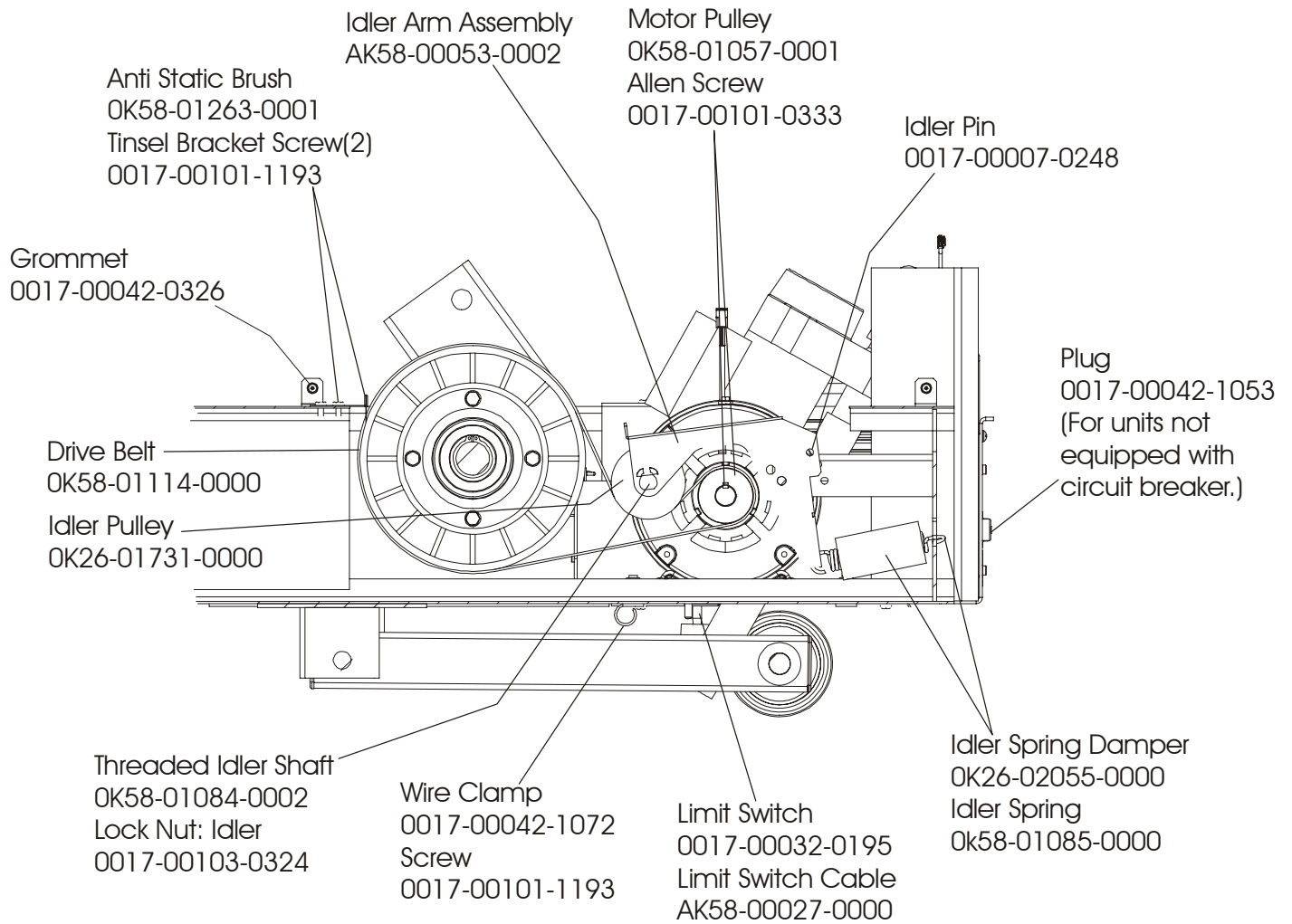


Drive Motor Assembly Number	Motor Serial Number
AK58-00172-0000	WTE100000 – WTE100020
AK58-00172-0002	WTE100021 and up



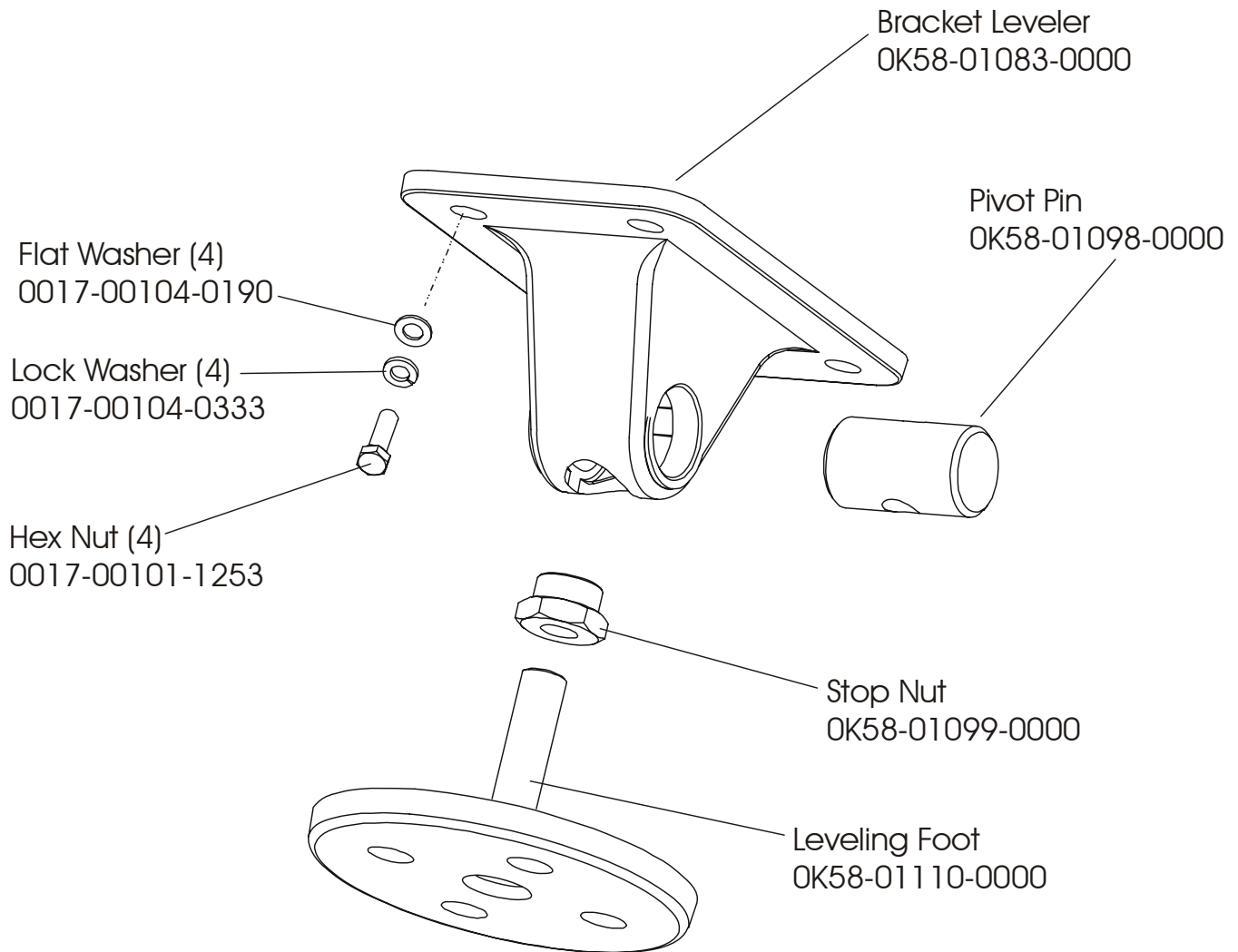
**ARCTIC SILVER 97TEZ**  
**Idler Arm Assembly and Static Brush**

**97TEZ-0xxx-01**  
**S/N TWZ100000 and up**



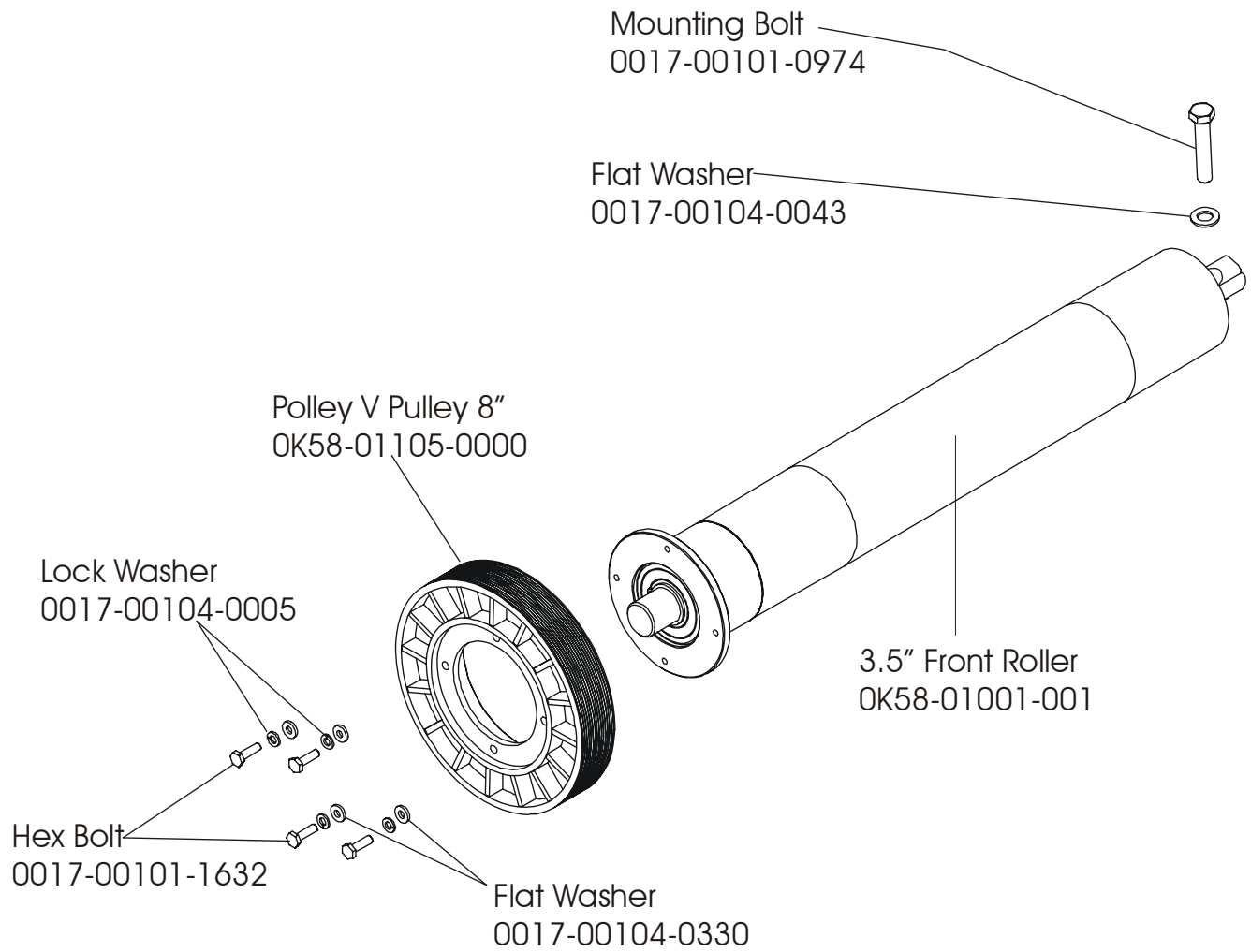
**ARCTIC SILVER 97TEZ**  
**Leg Leveler Assembly – AK58-00370-0000**

**97TEZ-0xxx-01**  
**S/N TWZ100000 and up**



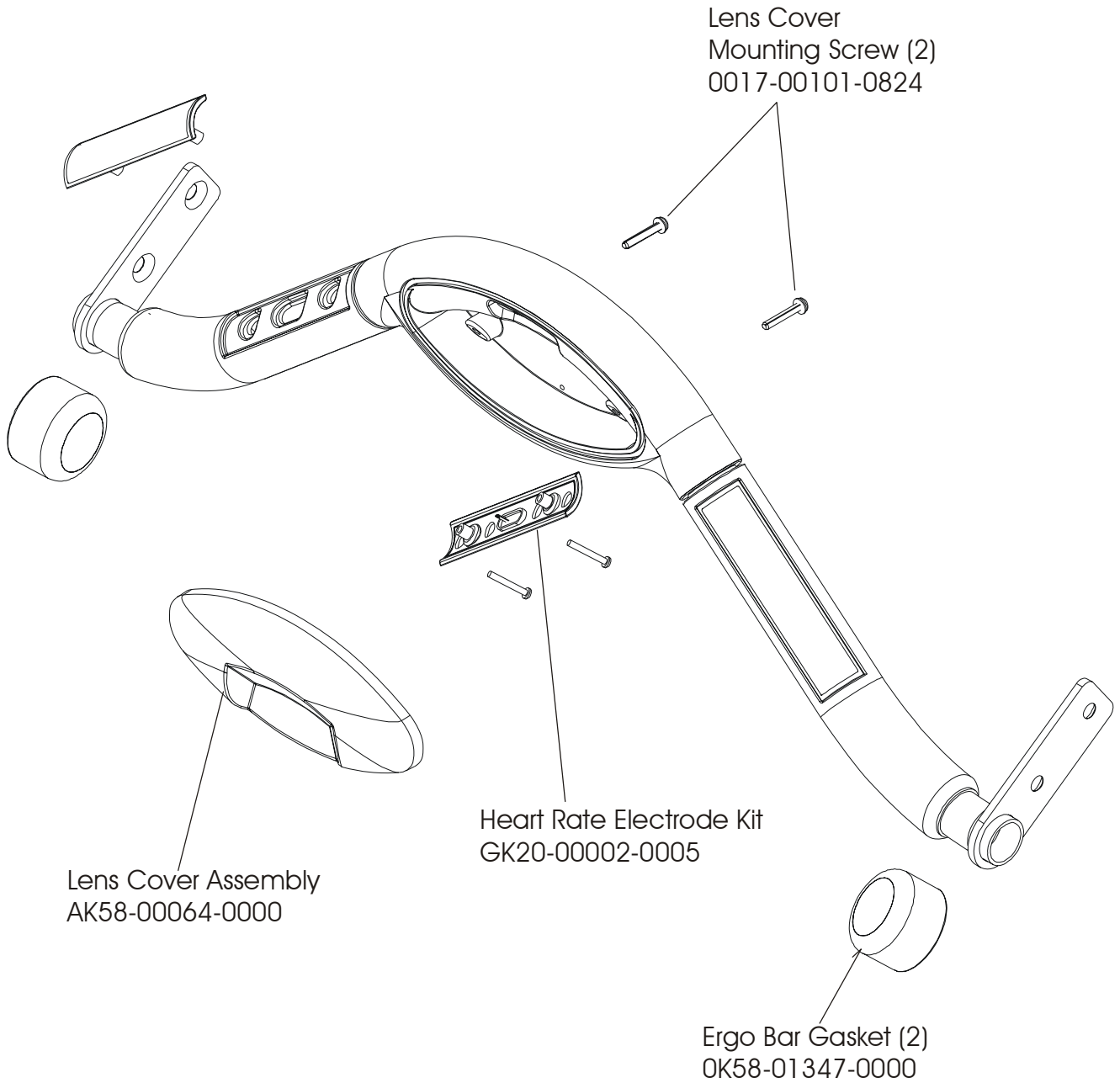
**ARCTIC SILVER 97TEZ**  
**Front Roller Assembly--AK58-00066-0000**

**97TEZ-0xxx-01**  
**S/N TWZ100000 and up**



**ARCTIC SILVER 97TEZ**  
**Ergo Bar w/Lifepulse**

**97TEZ-0xxx-01**  
**S/N TWZ100000 and up**



# ARCTIC SILVER 97TEZ

## Power Components Schematic

**97TEZ-0xxx-01**  
**S/N TWZ10000 and up**

