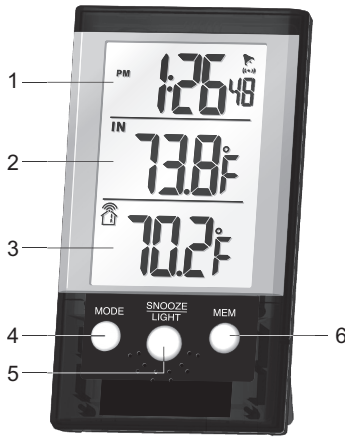


L.L.Bean

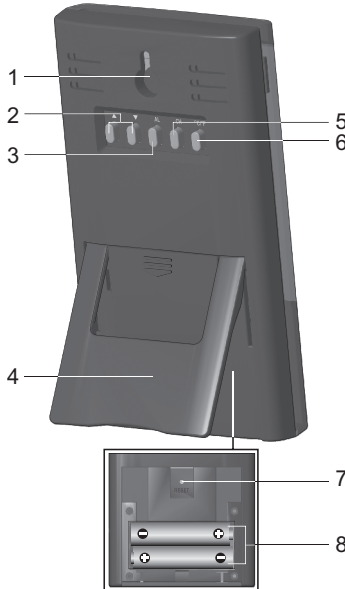
0FHC9 First Watch Weather Station

USER MANUAL

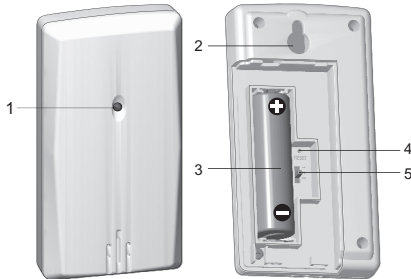
(FIG. 1)



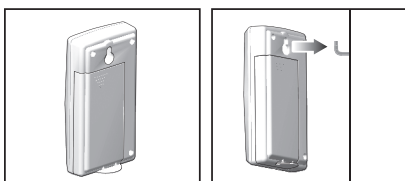
(FIG. 2)



(FIG. 3)



(FIG. 4)



OVERVIEW

FRONT VIEW (FIG. 1)

- 12 / 24 hr clock, date and alarm area
- Indoor temperature
- Outdoor temperature
- MODE**: Change settings or display
- SNOOZE / LIGHT**: Activate snooze function / Turn on the backlight
- MEM**: View current, maximum and minimum temperature

BACK VIEW (FIG. 2)

- Wall mount hole
- ▲ / ▼: Increase / decrease setting
- AL**: View alarm status; set alarm
- Table stand
- CH**: Switch remote outdoor sensor display
- °C / °F: Select temperature unit
- RESET**: Reset unit to default settings
- Battery compartment

REMOTE OUTDOOR SENSOR (FIG. 3)

- LED status indicator
- Wall mount hole
- Battery compartment
- RESET** hole
- CHANNEL** switch

GETTING STARTED

INSERT BATTERIES - REMOTE

OUTDOOR SENSOR

IMPORTANT Set up the remote outdoor sensor first before setting the main unit.

- Slide open the battery door.
- Insert the batteries, matching the polarities.
- Select a channel, then press **RESET**.
- Close the battery door.
- Place the sensor outdoors within 30 m (98 ft) of the main unit using the wall mount (see FIG. 4).

NOTE

- Press **RESET** after each battery change or channel selection.
- The remote outdoor sensor must be placed outdoors, and protected from rain and snow.
- Use alkaline batteries for longer usage and consumer grade lithium batteries in temperatures below freezing.

Temperature range:

LITHIUM BATTERIES		ALKALINE BATTERIES	
-22°F	-4°F	-20°C	140°F
(-30°C)	(-20°C)		(60°C)

INSERT BATTERIES - MAIN UNIT

- Remove the battery door.
- Insert the batteries, matching the polarities (see FIG. 2).
- Press **RESET**.
- Close the battery door.
- Place the main unit within 30 m (98 ft) of the remote outdoor sensor.
- Wait while the sensor reception icon is blinking, it is searching for sensor.

- To show the outdoor temperature, make sure the number in the sensor reception icon is the same as the selected channel in the remote outdoor sensor. If not, press **CH** to select the number.

NOTE Displays when batteries are low.

LOCATION	MEANING
Indoor temperature area	Main unit batteries low
Outdoor temperature area	Sensor batteries low

NOTE Press **RESET** after each battery change.

SENSOR DATA TRANSMISSION

The main unit can collect data from up to 3 sensors.

To search for a sensor:

Simultaneously, press and hold **MEM** and **CH** for 2 seconds.

The sensor reception icon in the main unit shows the status:

ICON	DESCRIPTION
	Main unit is searching for sensor(s)
	A sensor has been found
	The sensor cannot be found

TIP The transmission range may vary depending on many factors. You may need to experiment with various locations to get the best results.

CLOCK

To set the clock:

- Press and hold **MODE**.
- Press ▲ or ▼ to change the settings. (Press and hold to change the setting quickly.)
- Press **MODE** to confirm.
- The settings order is: 12 / 24 hr format, hour, minute, year, day-month format, month, day and language.

NOTE The language options are English (E), German (D), French (F), Italian (I), and Spanish (S).

To select display mode:

Press **MODE** to choose between clock with seconds, clock with weekday and calendar.

ALARM

To set the alarm:

- Press **AL** to view alarm display. (●●) shows when the alarm time is displayed.
- Press and hold **AL**.
- Press ▲ / ▼ to set hour / minute. (Press and hold to change the setting quickly.)
- Press **AL** to confirm. indicates alarm is ON.

To toggle alarms ON / OFF:

- Press **AL** to display alarm time.
- Press **AL** again to turn alarm ON / OFF.

To silence the alarm:

- Press **SNOOZE / LIGHT** to silence it for 8 minutes.

OR

- Press **AL** to turn the alarm off and activate it again after 24 hours.

TEMPERATURE

To toggle temperature unit:

Press **°C / °F**.

To view outdoor sensors readings:

Press **CH**.

To auto-scan between sensors:

Press and hold **CH** to display each sensor's data for 3 seconds.

To end press **CH** or **MEM**.

To toggle between current, minimum and maximum records for the selected outdoor sensor and indoor (main unit) sensor:

Press **MEM** repeatedly.

To clear the records:

Press and hold **MEM**.

BACKLIGHT

Press **SNOOZE / LIGHT** to turn the backlight on for 8 seconds.

RESET

Press **RESET** to return to the default settings.

TROUBLESHOOTING

Problem	Remedy
Outdoor temperature is not shown	<ul style="list-style-type: none"> • Press RESET on the remote outdoor sensor and the main unit. • Check if the sensor reception icon number in the main unit is the same as the channel selected in the remote outdoor sensor. If not the same, press CH to select the number. • Check if the sensor battery power is low. If low, replace it.
Main unit cannot locate sensor automatically	<ul style="list-style-type: none"> • Press and hold MEM and CH for 2 seconds until a beep is heard. • Check if the sensor battery power is low. If low, replace it.

PRECAUTIONS

- Do not subject the unit to excessive force, shock, dust, temperature or humidity.
- Do not cover the ventilation holes with any items such as newspapers, curtains etc.
- Do not immerse the unit in water. If you spill liquid over it, dry it immediately with a soft, lint-free cloth.
- Do not clean the unit with abrasive or corrosive materials.

- Do not tamper with the unit's internal components. This invalidates the warranty.
- Only use fresh batteries. Do not mix new and old batteries.
- Images shown in this manual may differ from the actual display.
- When disposing of this product, ensure it is collected separately for special treatment.
- Placement of this product on certain types of wood may result in damage to its finish for which L.L.Bean will not be responsible. Consult the furniture manufacturer's care instructions for information.
- The contents of this manual may not be reproduced without the permission of the manufacturer.
- Do not dispose old batteries as unsorted municipal waste. Collection of such waste separately for special treatment is necessary.
- Please note that some units are equipped with a battery safety strip. Remove the strip from the battery compartment before first use.

NOTE The technical specifications for this product and the contents of the user manual are subject to change without notice.

SPECIFICATIONS

TYPE	DESCRIPTION
MAIN UNIT	
L x W x H	115 x 64 x 20 mm (4.53 x 2.52 x 0.79 in)
Weight	100 g (3.53 oz) without battery
Temperature range	-5°C to 50°C (23°F to 122°F)
Resolution	0.1°C (0.2°F)
Signal frequency	433 MHz
Batteries	2 x UM-4 (AAA) 1.5 V
REMOTE OUTDOOR SENSOR UNIT (THN132N)	
L x W x H	96 x 50 x 22 mm (3.8 x 2.0 x 0.9 in)
Weight	62 g (2.22 oz)
Transmission range	30 m (98 ft) unobstructed
No. of channels	3
Temperature range	-30°C to 60°C (-22°F to 140°F)
Batteries	1 x UM-3 (AA) 1.5 V

FCC STATEMENT

This device complies with Part 15 of the FCC Rules. Operation is subject to the following two conditions: (1) This device may not cause harmful interference, and (2) This device must accept any interference received, including interference that may cause undesired operation.

WARNING Changes or modifications not expressly approved by the party responsible for compliance could void the user's authority to operate the equipment.

NOTE This equipment has been tested and found to comply with the limits for a Class B digital device, pursuant to Part 15 of the FCC Rules. These limits are designed to provide reasonable protection against harmful interference in a residential installation.

This equipment generates, uses and can radiate radio frequency energy and, if not installed and used in accordance with the instructions, may cause harmful interference to radio communications. However, there is no guarantee that interference will not occur in a particular installation. If this equipment does cause harmful interference to radio or television reception, which can be determined by turning the equipment off and on, the user is encouraged to try to correct the interference by one or more of the following measures:

- Reorient or relocate the receiving antenna.
- Increase the separation between the equipment and receiver.
- Connect the equipment into an outlet on a circuit different from that to which the receiver is connected.
- Consult the dealer or an experienced radio / TV technician for help.

DECLARATION OF CONFORMITY

The following information is not to be used as contact for support or sales. Please call our customer service number (listed on our website at, www.llbean.com or on the warranty card for this product) for all inquiries instead.

We:

Name: L.L. Bean, Inc.
Address: Freeport, Maine 04033-0001

Telephone No. USA and Canada:
800-441-5713
International:
207-552-3027

declare that the product

Product No.: 0FHC9
Product Name: First Watch Weather Station

is in conformity with Part 15 of the FCC Rules. Operation is subject to the following two conditions: 1) This device may not cause harmful interference. 2) This device must accept any interference received, including interference that may cause undesired operation.