



Service Manual / Manuel de Service

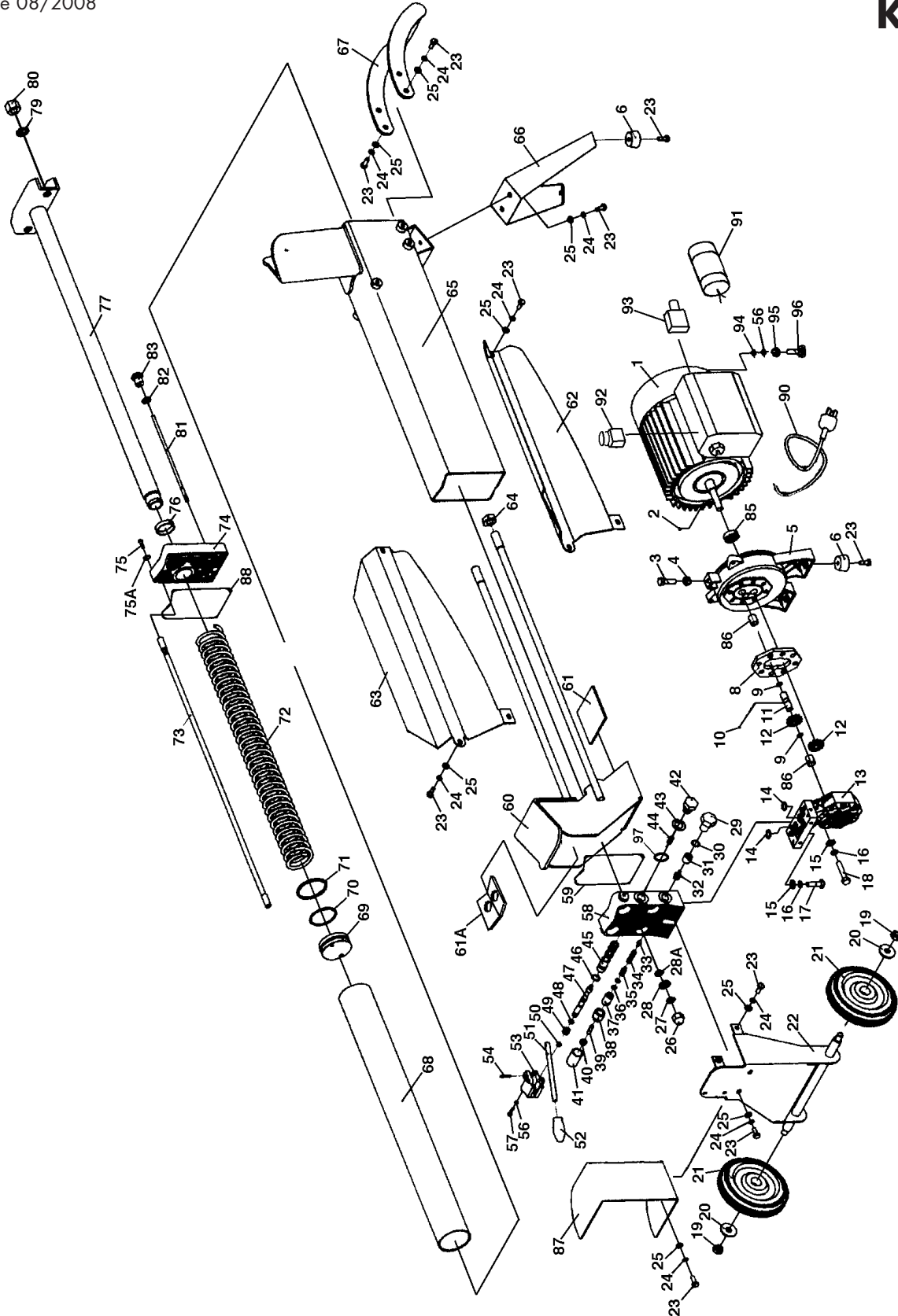
5 Ton - 20" Log Splitter

Fendeuse de 20" - 5 Tonnes



Revised/Revisé 08/2008

KC-5LS





Parts Pricing List / Liste de Prix des Pièces

KC-5LS

Diag.	Order # Com.	English Description	Description Française	Qty./Qté.	Price/Prix
1	7700050010	MOTOR	MOTEUR	1	\$189.75
2	7700050020	SPECIAL PIN	GOUPILLE SPECIALE	1	\$2.70
3	7700050030	RUBBER SUPPORT	SUPPORT EN CAOUTCHOUC	1	\$3.39
4	7700050040	HEX. NUT	ECROU HEXAGONAL	1	\$1.55
5	7700050050	MOTOR FRONT COVER	COUVERCLE AVANT DU MOTEUR	1	\$34.44
6	7700050060	RUBBER FOOT	PIED EN CAOUTCHOUC	4	\$4.43
8	7700050080	PUMP PLATE	PLAQUE DE LA POMPE	1	\$10.29
9	7700050090	SPECIAL WIRE RING	ANNEAU EN ACIER SPECIAL	2	\$2.24
10	7700050100	STEEL BALL	BILLE EN ACIER	1	\$1.67
11	7700050110	PUMP SHAFT	TIGE DE LA POMPE	1	\$9.14
12	7700050120	PUMP GEAR	ENGRENAGE	2	\$17.19
13	7700050130	OIL PUMP BODY	CORPS DE LA POMPE A L'HUILE	1	\$28.69
14	7700050140	O-RING	ANNEAU D'ETANCHEITE	2	\$2.24
15	7700050150	WASHER	RONDELLE	9	\$1.55
16	7700050160	SPRING WASHER	RONDELLE A RESSORT	9	\$1.67
17	7700050170	HEX. BOLT	BOULON HEXAGONAL	3	\$1.90
18	7700050180	HEX. BOLT	BOULON HEXAGONAL	6	\$2.24
19	7700050190	NYLON HEX. NUT	ECROU HEXAGONAL AVEC NYLON	2	\$1.90
20	7700050200	WASHER	RONDELLE	2	\$1.67
21	7700050210	ROLLING WHEEL	ROUE	2	\$14.89
22	7700050220	ROLLING WHEEL SUPPORT	SUPPORT DES ROUES	1	\$22.94
23	7700050230	HEX. BOLT	BOULON HEXAGONAL	20	\$1.67
24	7700050240	SPRING WASHER	RONDELLE A RESSORT	16	\$1.55
25	7700050250	WASHER	RONDELLE	16	\$1.55
26	7700050260	CAP NUT	ECROU A TETE RONDE	4	\$3.39
27	7700050270	SPRING WASHER	RONDELLE A RESSORT	4	\$1.55
28	7700050280	WASHER	RONDELLE	4	\$1.67
28A	7700050281	O-RING	ANNEAU D'ETANCHEITE	4	\$2.47
29	7700050290	SPECIAL HEX. BOLT	BOULON HEXAGONAL SPECIAL	1	\$3.74
30	7700050300	O-RING	ANNEAU D'ETANCHEITE	1	\$2.59
31	7700050310	SPECIAL SET SCREW	VIS SANS TETE SPECIALE	1	\$3.74
32	7700050320	OIL VALVE	SOUPAPE DE L'HUILE	1	\$5.46
33	7700050330	CONE VALVE	SOUPAPE CONIQUE	1	\$5.58
34	7700050340	ADJUSTING SPRING	RESSORT D'AJUSTEMENT	1	\$3.39
35	7700050350	SHORT SHAFT	PETITE TIGE	1	\$6.84
36	7700050360	O-RING	ANNEAU D'ETANCHEITE	2	\$2.24
37	7700050370	SHORT SHAFT BUSHING	BAGUE POUR PETITE TIGE	1	\$4.54
38	7700050380	SPECIAL NUT	ECROU SPECIAL	1	\$4.20
39	7700050390	SET SCREW	VIS SANS TETE	1	\$1.78
40	7700050400	HEX. NUT	ECROU HEXAGONAL	1	\$1.55
41	7700050410	PLASTIC CAP	CAPUCHON EN PLAS TIQUE	1	\$3.39
42	7700050420	POSITION BOLT	BOULON DE POSITIONNEMENT	1	\$5.58
43	7700050430	BRASS WASHER	RONDELLE EN CUIVRE	1	\$3.16
44	7700050440	SPRING	RESSORT	1	\$2.24
45	7700050450	CONTROLLING VALVE	SOUPAPE DE CONTROLE	1	\$17.19
46	7700050460	O-RING	ANNEAU D'ETANCHEITE	5	\$2.24
47	7700050470	CONTROLLING SHAFT	TIGE DE CONTROLE	1	\$4.31
48	7700050480	O-RING	ANNEAU D'ETANCHEITE	1	\$2.24

Pricing subject to change without prior notice. / Prix sujet à changement sans préavis.



Parts Pricing List / Liste de Prix des Pièces

KC-5LS

Diag.	Order # Com.	English Description	Description Française	Qty./Qté.	Price/Prix
49	7700050490	SPRING	RESSORT	1	\$3.16
50	7700050500	RETAINING RING ("E")	ANNEAU DE RETENU EN "E"	1	\$1.67
51	7700050510	HANDLE	POIGNEE	1	\$3.39
52	7700050520	KNOB	BOUTON	1	\$3.39
53	7700050530	HANDLE BRACKET	SUPPORT DE LA POIGNEE	1	\$10.29
54	7700050540	SPRING PIN	GOUPILLE A RESSORT	1	\$2.13
56	7700050560	SPRING WASHER	RONDELLE A RESSORT	3	\$1.55
57	7700050570	PAN HD SCREW	VIS A TETE BOMBEE	2	\$1.55
58	7700050580	CYLINDER FRONT COVER	COUVERCLE AVANT DU CYLINDRE	1	\$29.84
59	7700050590	GASKET	JOINT D'ETANCHEITE	1	\$5.46
60	7700050600	LOG PUSHER	POUSOIR A BUCHE	1	\$51.69
61	7700050610	PLASTIC PAD (LOWER)	TAMPON EN PLASTIQUE (DU BAS)	1	\$6.84
61A	7700050611	PLASTIC PAD (UPPER)	TAMPON EN PLASTIQUE (DU HAUT)	1	\$6.84
62	7700050620	RIGHT LOG RETENTION BRACKET	PLAQUE DE RETENTION DROITE	1	\$22.94
63	7700050630	LEFT LOG RETENTION BRACKET	PLAQUE DE RETENTION GAUCHE	1	\$22.94
64	7700050640	SPECIAL NUT	ECROU SPECIALE	2	\$3.97
65	7700050650	OIL TANK	RESERVOIR A L'HUILE	1	\$138.00
66	7700050660	SUPPORTING LEG	JAMBES DE SUPPORT	1	\$11.44
67	7700050670	CARRYING HANDLE	POIGNEE	1	\$14.89
68	7700050680	CYLINDER TUBE	BAGUE DU CYLINDRE	1	\$45.94
69	7700050690	PISTON	PISTON	1	\$20.64
70	7700050700	PISTON O-RING	ANNEAU D'ETANCHEITE	1	\$4.54
71	7700050710	PLASTIC RING	ANNEAU EN PLASTIQUE	1	\$6.84
72	7700050720	SPRING	RESSORT	1	\$34.44
73	7700050730	STUD	TIGE	4	\$10.29
74	7700050740	CYLINDER REAR COVER	COUVERCLE ARRIERE DU CYLINDRE	1	\$28.69
75	7700050750	SPECIAL WING BOLT	BOULON A AILLETES SPECIAL	1	\$3.39
75A	7700050751	O-RING	ANNEAU D'ETANCHEITE	1	\$2.24
76	7700050760	HYDRAULIC SEAL	JOINT D'ETANCHEITE	1	\$5.46
77	7700050770	PISTON ROD	TIGE DU PISTON	1	\$43.64
79	7700050790	SPRING WASHER	RONDELLE A RESSORT	2	\$1.90
80	7700050800	SPECIAL LARGE NUT	ECROU SPECIAL	2	\$3.97
81	7700050810	DIPSTICK	JAUGE A L'HUILE	1	\$4.20
82	7700050820	O-RING	ANNEAU D'ETANCHEITE	1	\$2.24
83	7700050830	OIL DRAIN BOLT	BOULON D'ECOULEMENT D'HUILE	1	\$3.74
85	7700050850	OIL SEAL	JOINT D'ETANCHEITE	1	\$14.89
86	7700050860	BUSHING	BAGUE	4	\$5.69
87	7700050870	SAFETY GUARD	GARDE DE SECURITE	1	\$13.74
88	7700050880	GASKET	JOINT D'ETANCHEITE	1	\$5.46
90	7700050900	POWER CORD	JOINT D'ETANCHEITE	1	\$22.94
91	7700050910	CAPACITOR	CONDENSATEUR	1	\$28.69
92	7700050920	MOMENTARY SWITCH	INTERRUPTEUR MOMENTANE	1	\$22.94
93	7700050930	RESET BUTTON	DISJONCTEUR	1	\$13.74
94	7700050940	WASHER	RONDELLES	1	\$1.67
95	7700050950	HEX. NUT	ECROU HEXAGONAL	1	\$1.55
96	7700050960	RUBBER FOOT	PIED EN CAOUTCHOUC	1	\$3.39
97	7700050970	O-RING	ANNEAU D'ETANCHEITE	1	\$2.82
555-5	7700055555	HARDWARE BAG	SAC DE QUINCAILLERIE	1	\$17.19
	770005MBIL	BILINGUAL MANUAL KC-5LS	MANUEL BILINGUE KC-5LS	1	\$15.00

Pricing subject to change without prior notice. / Prix sujet à changement sans préavis.