



# Service Manual / Manuel de Service

## Gearhead Milling Drilling Machine

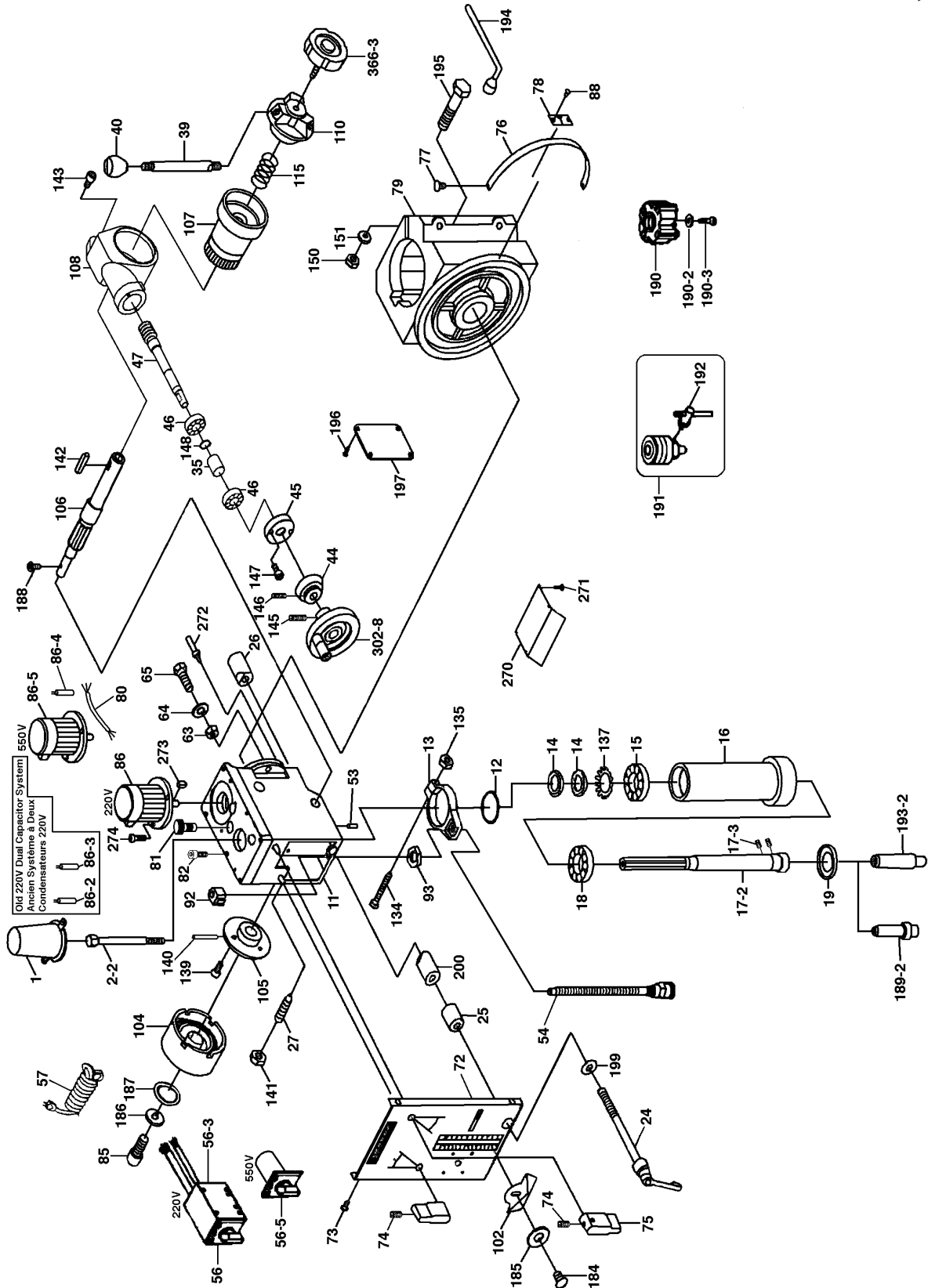
### Perceuse et Fraiseuse avec Tête à Engrenage



Revised/Revisé 08/2008

### Main Diagram / Diagramme Principale

### KC-40HC(-5)





# Service Manual / Manuel de Service

## Gearhead Milling Drilling Machine

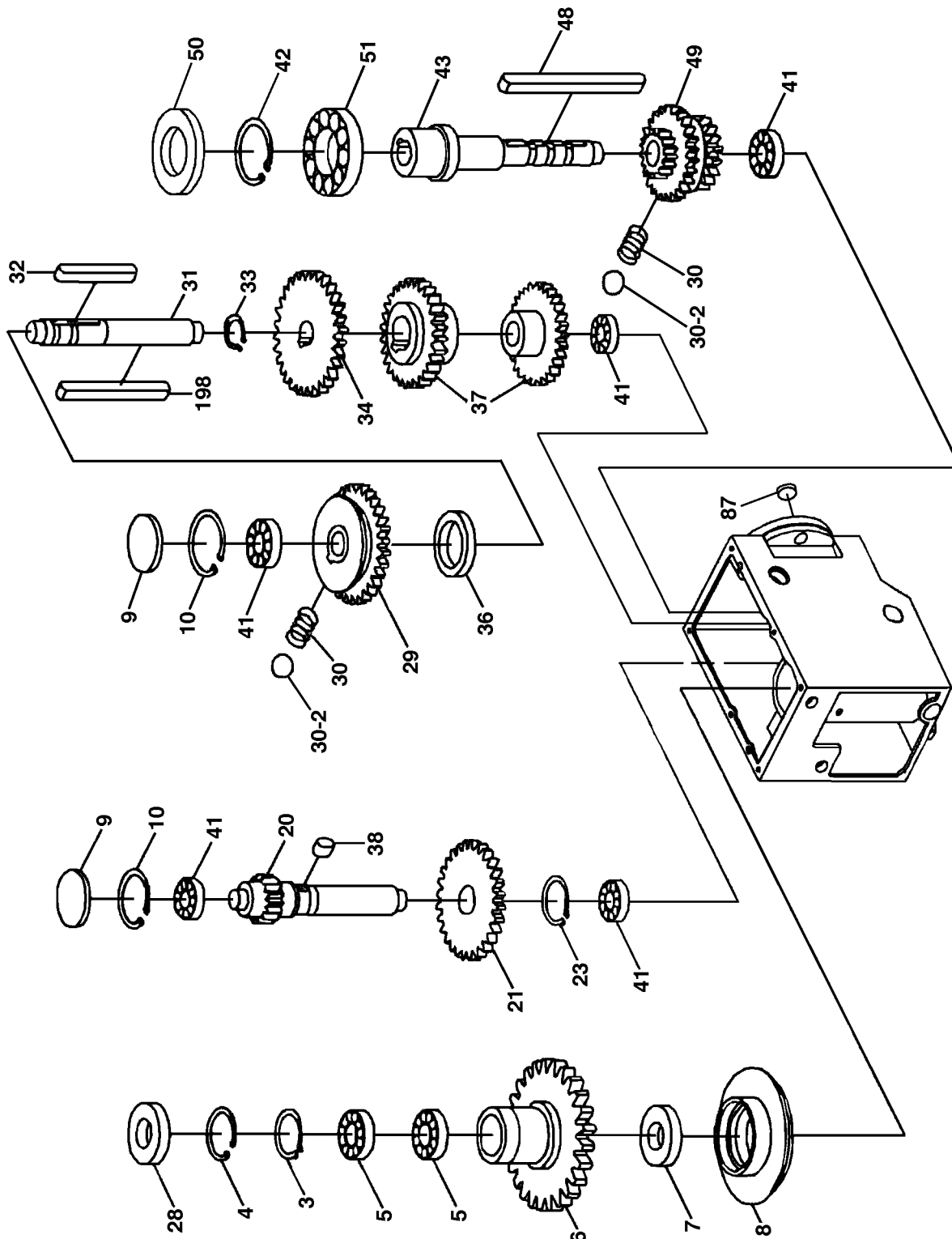
### Perceuse et Fraiseuse avec Tête à Engrenage



Revised/Revisé 08/2008

#### Gear Box Diagram / Diagramme du Boîtier D'Engrenage

### KC-40HC(-5)







## ® Parts Pricing List / Liste de Prix des Pièces **KC-40HC(-5)**

| Diag. | Order # Com. | English Description           | Description Française           | Qty./Qté. | Price/Prix |
|-------|--------------|-------------------------------|---------------------------------|-----------|------------|
| 1     | 1204000010   | ARBOR BOLT COVER              | COUVERT DU BOULON DE L'ARBRE    | 1         | \$11.44    |
| 2-2   | 1204000022   | CHUCK ARBOR BOLT              | BOULON DE L'ARBRE               | 1         | \$52.84    |
| 3     | 1204000030   | RETAINING RING/SHAFT          | ANNEAU DE RETENU/TIGE           | 1         | \$2.93     |
| 4     | 1204000040   | RETAINING RING/BORE           | ANNEAU DE RETENU/ALESAGE        | 1         | \$3.28     |
| 5     | 1204000050   | BALL BEARING                  | ROULEMENT A BILLES              | 2         | \$34.33    |
| 6     | 1204000060   | SPINDLE SLEEVE GEAR           | ENGRENAGE DE L'AXE              | 1         | \$224.25   |
| 7     | 1204000070   | OIL SEAL                      | JOINT D'ETANCHEITE              | 1         | \$20.64    |
| 8     | 1204000080   | SEAL RETAINER                 | SOUTENEUR DE JOINT D'ETANCHEITE | 1         | \$50.54    |
| 9     | 1204000090   | CAP                           | COUVERCLE                       | 2         | \$6.84     |
| 10    | 1204000100   | RETAINING RING/BORE           | ANNEAU DE RETENU/ALESAGE        | 2         | \$2.59     |
| 11    | 1204000110   | HEAD BODY                     | CORPS DE LA TETE                | 1         | \$1,109.75 |
| 12    | 1204000120   | RUBBER FLANGE                 | BRIDE EN CAOUTCHOUC             | 1         | \$7.99     |
| 13    | 1204000130   | FEED BASE                     | BASE DE L'AXE                   | 1         | \$63.08    |
| 14    | 1204000140   | LOCK NUT                      | ECROU DE BLOCAGE                | 2         | \$13.63    |
| 15    | 1204000150   | TAPER ROLLER BEARING          | ROULEMENT CONIQUE               | 1         | \$98.61    |
| 16    | 1204000160   | RACK SLEEVE                   | FOURREAU DE L'AXE               | 1         | \$218.44   |
| 17-2  | 1204000172   | SPINDLE SHAFT                 | TIGE DE L'ARBRE                 | 1         | \$344.60   |
| 17-3  | 1204000173   | SET SCREW                     | VIS SANS TETE                   | 2         | \$1.78     |
| 18    | 1204000180   | TAPER ROLLER BEARING          | ROULEMENT CONIQUE               | 1         | \$113.45   |
| 19    | 1204000190   | BEARING CAP                   | COUVERCLE DU ROULEMENT          | 1         | \$11.10    |
| 20    | 1204000200   | GEAR SHAFT                    | TIGE A ENGRENAGE                | 1         | \$201.25   |
| 21    | 1204000210   | GEAR                          | ENGRENAGE                       | 1         | \$143.75   |
| 23    | 1204000230   | RETAINING RING/SHAFT          | ANNEAU DE RETENU/TIGE           | 1         | \$2.24     |
| 24    | 1204000240   | HANDLE ROD                    | TIGE DE LA POIGNEE              | 1         | \$34.44    |
| 25    | 1204000250   | FIXED TIGHT COLLAR            | COLLIER DE FIXATION             | 1         | \$11.44    |
| 26    | 1204000260   | FIXED TIGHT COLLAR (THREADED) | COLLIER DE FIXATION FILLETTE    | 1         | \$12.59    |
| 27    | 1204000270   | STUDDERED SET SCREW           | VIS SANS TETE AVEC TIGE         | 1         | \$4.31     |
| 28    | 1204000280   | OIL SEAL                      | JOINT D'ETANCHEITE              | 1         | \$26.39    |
| 29    | 1204000290   | GEAR                          | ENGRENAGE                       | 1         | \$373.75   |
| 30    | 1204000300   | SPRING                        | RESSORT                         | 2         | \$5.69     |
| 30-2  | 1204000302   | STEEL BALL                    | BILLE D'ACIER                   | 2         | \$2.59     |
| 31    | 1204000310   | GEAR SHAFT                    | TIGE A ENGRENAGE                | 1         | \$155.25   |
| 32    | 1204000320   | KEY                           | CLE DE RETENUE                  | 1         | \$2.47     |
| 33    | 1204000330   | RETAINING RING/SHAFT          | ANNEAU DE RETENU/TIGE           | 1         | \$2.24     |
| 34    | 1204000340   | GEAR                          | ENGRENAGE                       | 1         | \$189.75   |
| 35    | 1204000350   | BEARING SPACER                | ESPACEUR DU ROULEMENT           | 1         | \$11.44    |
| 36    | 1204000360   | SLEEVE                        | ESPACEUR                        | 1         | \$7.99     |
| 37    | 1204000370   | GEAR                          | ENGRENAGE                       | 1         | \$195.44   |
| 38    | 1204000380   | KEY                           | CLE DE RETENUE                  | 1         | \$1.78     |
| 39    | 1204000390   | HANDLE ROD                    | TIGE DE LA POIGNEE              | 3         | \$13.74    |
| 40    | 1204000400   | KNOB                          | BOUTON                          | 3         | \$4.20     |
| 41    | 1204000410   | BALL BEARING                  | ROULEMENT A BILLES              | 5         | \$11.44    |
| 42    | 1204000420   | RETAINING RING/BORE           | ANNEAU DE RETENU/ALESAGE        | 1         | \$3.68     |
| 43    | 1204000430   | SHAFT                         | TIGE                            | 1         | \$97.69    |
| 44    | 1204000440   | MICRO ADJ. INDICATOR          | INDICATEUR IMPERIAL             | 1         | \$52.84    |
| 45    | 1204000450   | WORM COVER                    | COUVERCLE DE L'ENGRENAGE        | 1         | \$11.44    |
| 46    | 1204000460   | BALL BEARING                  | ROULEMENT A BILLES              | 2         | \$11.44    |

Pricing subject to change without prior notice. / Prix sujet à changement sans préavis.



## ® Parts Pricing List / Liste de Prix des Pièces **KC-40HC(-5)**

| Diag. | Order # Com. | English Description       | Description Française           | Qty./Qté. | Price/Prix |
|-------|--------------|---------------------------|---------------------------------|-----------|------------|
| 47    | 1204000470   | WORM SHAFT                | TIGE A ENGRENAGE SANS FIN       | 1         | \$63.19    |
| 48    | 1204000480   | KEY                       | CLE DE RETENUE                  | 1         | \$2.70     |
| 49    | 1204000490   | GEAR ASS'Y                | ENGRENAGE ASSEMBLE              | 1         | \$212.75   |
| 50    | 1204000500   | OIL SEAL                  | JOINT D'ETANCHEITE              | 1         | \$22.94    |
| 51    | 1204000510   | BALL BEARING              | ROULEMENT A BILLES              | 1         | \$20.41    |
| 53    | 1204000530   | OIL DRAIN PLUG            | BOUCHON DE VIDANGE D'HUILE      | 2         | \$4.31     |
| 54    | 1204000540   | GRADUATED ROD             | TIGE GRADUEE                    | 1         | \$63.19    |
| 56    | 1204000560   | F/R SWITCH ASS'Y (220V)   | INTERRUPTEUR ASS. A/R (220V)    | 1         | \$224.19   |
| 56-3  | 1204000563   | SWITCH BOX                | BOITE POUR L'INTERRUPTEUR       | 1         | \$103.44   |
| 56-5  | 1204000565   | F/R SWITCH ASS'Y (550V)   | INTERRUPTEUR ASS. A/R (550V)    | 1         | \$249.95   |
| 57    | 1204000570   | POWER CORD                | CORDON D'ALIMENTATION           | 1         | \$34.44    |
| 63    | 1204000630   | NYLON HEX. NUT            | ECROU HEXAGONAL AVEC NYLON      | 3         | \$2.24     |
| 64    | 1204000640   | SPECIAL WASHER            | RONDELLE SPECIALE               | 3         | \$2.70     |
| 65    | 1204000650   | HEX. BOLT                 | BOULON HEXAGONAL                | 3         | \$3.28     |
| 72    | 1204000720   | CONTROL PANEL PLATE       | PLAQUE DU PANNEAU DE CONTROLE   | 1         | \$51.69    |
| 73    | 1204000730   | PAN HD SCREW              | VIS A TETE BOMBEE               | 4         | \$1.55     |
| 74    | 1204000740   | SET SCREW                 | VIS SANS TETE                   | 4         | \$1.67     |
| 75    | 1204000750   | SPEED LEVER               | LEVIER DE VITESSE               | 2         | \$24.90    |
| 76    | 1204000760   | DEGREE METER              | REGLE DE DEGRES                 | 1         | \$4.20     |
| 77    | 1204000770   | PAN HD SCREW              | VIS A TETE BOMBEE               | 2         | \$1.55     |
| 78    | 1204000780   | HEAD ANGLE INDICATOR      | INDICATEUR DE DEGRES DE LA TETE | 1         | \$3.74     |
| 79    | 1204000790   | COLUMN BRACKET            | SUPPORT DE COLONNE              | 1         | \$385.25   |
| 80    | 1204000800   | MOTOR TO SWITCH CORD      | CORDON DU MOTEUR A L'INTERR.    | 1         | \$20.64    |
| 81    | 1204000810   | OIL FILLER                | BOUCHON D'ALIMENTION D'HUILE    | 2         | \$4.54     |
| 82    | 1204000820   | CAP SCREW                 | BOULON A TET CYLINDRIQUE        | 6         | \$2.01     |
| 85    | 1204000850   | CAP SCREW                 | BOULON A TETE CYLINDRIQUE       | 1         | \$2.01     |
| 86    | 1204000860   | MOTOR (220V)              | MOTEUR (220V)                   | 1         | \$684.25   |
| 86-2  | 1204000862   | STARTING CAPACITOR (220V) | CONDENSATEUR DE DEMAR. (220V)   | 1         | \$34.21    |
| 86-3  | 1204000863   | RUNNING CAPACITOR (220V)  | CONDENSATEUR D'OPERATION (220V) | 1         | \$68.94    |
| 86-4  | 1204000864   | STARTING CAPACITOR (550V) | CONDENSATEUR DE DEMAR. (550V)   | 1         | \$45.94    |
| 86-5  | 1204000865   | MOTOR (550V)              | MOTEUR (550V)                   | 1         | \$545.00   |
| 87    | 1204000870   | OIL SIGHT GLASS           | INDICATEUR D'HUILE              | 1         | \$11.44    |
| 88    | 1204000880   | RIVET                     | RIVET                           | 2         | \$1.55     |
| 92    | 1204000920   | SET POSITION BLOCK        | CUBE DE POSITION                | 1         | \$26.39    |
| 93    | 1204000930   | LOCK NUT                  | ECROU DE BLOCAGE                | 1         | \$6.27     |
| 102   | 1204001020   | LIMIT PLATE               | PLAQUE D'ARRET                  | 4         | \$4.31     |
| 104   | 1204001040   | SPRING AND COVER          | RESSORT & COUVERCLE             | 1         | \$57.21    |
| 105   | 1204001050   | SPRING BASE               | BASE DU RESSORT                 | 1         | \$29.84    |
| 106   | 1204001060   | PINION SHAFT              | TIGE DU PIGNON                  | 1         | \$143.75   |
| 107   | 1204001070   | WORM GEAR                 | ENGRENAGE SANS FIN              | 1         | \$74.69    |
| 108   | 1204001080   | FEED COVER                | BOITIER DE L'ENTRAINEUR MANUEL  | 1         | \$63.19    |
| 110   | 1204001100   | HANDLE BASE               | SUPPORT DES TIGES               | 1         | \$73.31    |
| 115   | 1204001150   | SPRING                    | RESSORT                         | 1         | \$5.58     |
| 134   | 1204001340   | HEX. BOLT                 | BOULON HEXAGONAL                | 1         | \$1.84     |
| 135   | 1204001350   | HEX. NUT                  | ECROU HEXAGONAL                 | 1         | \$1.55     |
| 137   | 1204001370   | TOOTHED WASHER            | RONDELLE ETOILEE                | 1         | \$4.20     |
| 139   | 1204001390   | PAN HD SCREW              | VIS A TETE BOMBEE               | 3         | \$1.67     |

Pricing subject to change without prior notice. / Prix sujet à changement sans préavis.



# ® Parts Pricing List / Liste de Prix des Pièces **KC-40HC(-5)**

| Diag. | Order # Com. | English Description   | Description Française          | Qty./Qté. | Price/Prix |
|-------|--------------|-----------------------|--------------------------------|-----------|------------|
| 140   | 1204001400   | SPRING PIN            | GOUPILLE A RESSORT             | 2         | \$1.67     |
| 141   | 1204001410   | HEX. NUT              | ECROU HEXAGONAL                | 1         | \$1.61     |
| 142   | 1204001420   | KEY                   | CLE DE RETENUE                 | 1         | \$2.24     |
| 143   | 1204001430   | CAP SCREW             | BOULON A TETE CYLINDRIQUE      | 2         | \$2.07     |
| 145   | 1204001450   | SET SCREW             | VIS SANS TETE                  | 1         | \$1.67     |
| 146   | 1204001460   | SET SCREW             | VIS SANS TETE                  | 1         | \$1.55     |
| 147   | 1204001470   | CAP SCREW             | BOULON A TETE CYLINDRIQUE      | 2         | \$1.67     |
| 148   | 1204001480   | RETAINING RING/SHAFT  | ANNEAU DE RETENU/TIGE          | 1         | \$1.55     |
| 150   | 1204001500   | HEX. NUT              | ECROU HEXAGONAL                | 4         | \$2.13     |
| 151   | 1204001510   | WASHER                | RONDELLE                       | 4         | \$2.82     |
| 184   | 1204001840   | PAN HD SCREW          | VIS A TETE BOMBEE              | 1         | \$1.67     |
| 185   | 1204001850   | WASHER                | RONDELLE                       | 1         | \$1.55     |
| 186   | 1204001860   | SPRING WASHER         | RONDELLE RESSORT               | 1         | \$1.55     |
| 187   | 1204001870   | WASHER                | RONDELLE                       | 1         | \$2.59     |
| 188   | 1204001880   | COUNTERSUNK HD SCREW  | VIS A TETE FRAISEE             | 1         | \$1.55     |
| 189-2 | 1204001892   | CUTTER ARBOR          | ARBRE DE LA TETE DE COUPE      | 1         | \$68.94    |
| 190   | 1204001900   | CUTTERHEAD (4 KNIVES) | TETE DE COUPE (4 COUTEAUX)     | 1         | \$149.44   |
| 190-2 | 1204001902   | CUTTERHEAD WASHER     | RONDELLE SPECIALE              | 1         | \$3.16     |
| 190-3 | 1204001903   | CUTTERHEAD CAP SCREW  | BOULON A TETE CYLINDRIQUE      | 1         | \$2.24     |
| 191   | KDC-12M      | CHUCK & KEY           | MANDRIN & CLE                  | 1         | -          |
| 192   | 1204001920   | CHUCK KEY             | CLE DE MANDRIN                 | 1         | \$13.80    |
| 193-2 | 1204001932   | CHUCK ARBOR           | ARBRE DU MANDRIN               | 1         | \$65.49    |
| 194   | 1204001940   | LOCK HANDLE           | POIGNEE DE VERROUILLAGE        | 1         | \$37.89    |
| 195   | 1204001950   | HEX. BOLT             | BOULON HEXAGONAL               | 2         | \$5.46     |
| 196   | 1204001960   | PAN HD SCREW          | VIS A TETE BOMBEE              | 4         | \$1.61     |
| 197   | 1204001970   | ROLLER COVER          | COUVERCLE DU SUPPORT DE COL.   | 1         | \$13.74    |
| 198   | 1204001980   | KEY                   | CLE DE RETENUE                 | 1         | \$2.70     |
| 199   | 1204001990   | WASHER                | RONDELLE                       | 1         | \$1.90     |
| 200   | 1204002000   | FIXED TIGHT COLLAR    | COLLIER DE FIXATION            | 1         | \$6.84     |
| 201   | 1204002010   | BASE                  | SOCLE                          | 1         | \$442.75   |
| 202   | 1204002020   | BEARING COVER (LOWER) | COUVERCLE DU BAS DU ROULEMENT  | 1         | \$109.19   |
| 212   | 1204002120   | STEEL BALL            | BILLE D'ACIER                  | 40        | \$3.62     |
| 213   | 1204002130   | BEARING COVER (UPPER) | COUVERCLE DU HAUT DU ROULEMENT | 1         | \$103.33   |
| 214   | 1204002140   | SET SCREW             | VIS SANS TETE                  | 2         | \$2.13     |
| 215   | 1204002150   | HEX. NUT              | ECROU HEXAGONAL                | 2         | \$1.55     |
| 216   | 1204002160   | COLUMN                | COLONNE                        | 1         | \$994.75   |
| 217   | 1204002170   | RACK COLLAR           | COLLET DE CREMAILLIERE         | 1         | \$68.94    |
| 221   | 1204002210   | SPRING PIN            | GOUPILLE A RESSORT             | 1         | \$2.13     |
| 222   | 1204002220   | RACK                  | CREMAILLIERE                   | 1         | \$114.94   |
| 231   | 1204002310   | THRUST BEARING        | ROULEMENT A BUTEE              | 1         | \$76.88    |
| 237   | 1204002370   | SET SCREW             | VIS SANS TETE                  | 2         | \$3.62     |
| 238   | 1204002380   | "U" BOLT              | BOULON EN "U"                  | 1         | \$39.96    |
| 239   | 1204002390   | FIXED BLOCK           | CUBE DE FIXATION               | 2         | \$26.39    |
| 240   | 1204002400   | HEX. NUT              | ECROU HEXAGONAL                | 2         | \$1.67     |
| 242   | 1204002420   | PULL DOWN WITH STAND  | SUPPORT D'ELEVATION            | 1         | \$189.75   |
| 243   | 1204002430   | WORM GEAR             | ENGRENAGE                      | 1         | \$97.69    |
| 244   | 1204002440   | WORM SHAFT            | TIGE DE L'ENGRENAGE            | 1         | \$17.19    |

Pricing subject to change without prior notice. / Prix sujet à changement sans préavis.



## ® Parts Pricing List / Liste de Prix des Pièces **KC-40HC(-5)**

| Diag. | Order # Com. | English Description | Description Française          | Qty./Qté. | Price/Prix |
|-------|--------------|---------------------|--------------------------------|-----------|------------|
| 258   | 1204002580   | UP-DOWN HANDLE      | MANIVELLE D'ELEVATION          | 1         | \$28.69    |
| 259   | 1204002590   | WORM SHAFT          | TIGE DE L'ENGRENAGE            | 1         | \$86.19    |
| 265   | 1204002650   | CAP SCREW           | BOULON A TETE CYLINDRIQUE      | 4         | \$1.90     |
| 266   | 1204002660   | SET SCREW           | VIS SANS TETE                  | 1         | \$1.55     |
| 268   | 1204002680   | BUSHING BRACKET     | SUPPORT ESPACEUR               | 1         | \$91.94    |
| 270   | 1204002700   | DUST PLATE          | PLAQUE ANTI-POUSSIERE          | 1         | \$62.96    |
| 271   | 1204002710   | PAN HD SCREW        | VIS A TETE BOMBEE              | 4         | \$1.55     |
| 272   | 1204002720   | MITER PIN           | GOUPILLE D'ANGLE               | 1         | \$7.99     |
| 273   | 1204002730   | KEY                 | CLE DE RETENUE                 | 1         | \$2.13     |
| 274   | 1204002740   | CAP SCREW           | BOULON A TETE CYLINDRIQUE      | 4         | \$2.24     |
| 275   | 1204002750   | COLUMN HEAD CAP     | CAPUCHON DE LA TETE DE COLONNE | 1         | \$40.19    |
| 302-7 | 1204003027   | HANDLE              | POIGNEE                        | 1         | \$14.89    |
| 302-8 | 1204003028   | HANDWHEEL           | MANIVELLE                      | 1         | \$25.13    |
| 366-3 | 1204003663   | LOCK BOLT WITH KNOB | BOUTON DE VEROUILLAGE          | 1         | \$9.72     |

### Work Table Cross Slide Parts / Pièces du Table de Travail Système Coulissant

| Diag. | Order # Com. | English Description           | Description Française          | Qty./Qté. | Price/Prix |
|-------|--------------|-------------------------------|--------------------------------|-----------|------------|
| 1     | 1200408001   | TABLE HANDLEWHEEL             | MANIVELLE DE LA TABLE          | 3         | \$68.71    |
| 7     | 1200408007   | GIB STRIP                     | GLISSIERE                      | 1         | \$43.53    |
| 12    | 1200408012   | GIB STRIP BOLT                | BOULON DE LA GLISSIERE         | 2         | \$4.54     |
| 13    | 1200408013   | LEAF SCREW                    | VIS PAPILLON                   | 2         | \$20.64    |
| 14    | 1200408014   | MOVABLE FIXED BLOCK           | PLAQUE D'ARRET DE MOUVEMENT    | 1         | \$11.44    |
| 15    | 1200408015   | TABLE BASE NUT                | ECROU DE LA TABLE              | 1         | \$72.39    |
| 20    | 1200408020   | TABLE CLUTCH                  | EMBRAYAGE DE LA TABLE          | 1         | \$68.83    |
| 22    | 1200408022   | LEFT FLANGE                   | SUPPORT GAUCHE                 | 1         | \$26.39    |
| 23    | 1200408023   | TABLE NUT                     | ECROU DE LA TABLE              | 1         | \$85.96    |
| 27    | 1200408027   | GIB STRIP                     | GLISSIERE                      | 1         | \$51.58    |
| 28    | 1200408028   | TABLE                         | TABLE                          | 1         | \$736.00   |
| 29    | 1200408029   | FIXED BLOCK                   | SUPPORT D'ARRET                | 2         | \$6.04     |
| 30    | 1200408030   | SPACER                        | ESPACEUR                       | 2         | \$5.46     |
| 31    | 1200408031   | COMPLETE HANDLE               | POIGNEE COMPLETE               | 3         | \$12.59    |
| 78    | 1200408078   | ZERO LIMIT PLATE              | PLAQUE D'IDENTIFICATION ZERO   | 2         | \$4.31     |
| 143   | 1200408143   | CAP SCREW                     | BOULON A TETE CYLINDRIQUE      | 2         | \$1.90     |
| 166   | 1200408166   | SPRING PIN                    | GOUPILLE A RESSORT             | 3         | \$1.67     |
| 167   | 1200408167   | DIAL CLUTCH SCREW             | VIS DE L'INDICATEUR            | 2         | \$3.39     |
| 168   | 1200408168   | OILER                         | HUILIER                        | 5         | \$2.47     |
| 169   | 1200408169   | CAP SCREW                     | BOULON A TETE CYLINDRIQUE      | 8         | \$1.67     |
| 170   | 1200408170   | CAP SCREW                     | BOULON A TETE CYLINDRIQUE      | 2         | \$1.90     |
| 171   | 1200408171   | BRASS DISC                    | DISQUE EN LAITON               | 4         | \$6.84     |
| 172   | 1200408172   | SPRING WASHER                 | RONDELLE RESSORT               | 3         | \$1.67     |
| 173   | 1200408173   | LOCK KNOB                     | BOUTON DE VEROUILLAGE          | 2         | \$6.73     |
| 174   | 1200408174   | COMPLETE TABLE THREADED SHAFT | TIGE FILETEE DE LA TABLE COMP. | 1         | \$224.25   |
| 175   | 1200408175   | COMPLETE ACME THREADED SHAFT  | TIGE FILETEE ACME COMPLETE     | 1         | \$327.75   |
| 176   | 1200408176   | RIVET                         | RIVET                          | 4         | \$1.55     |
| 177   | 1200408177   | SPRING WASHER                 | RONDELLE A RESSORT             | 2         | \$1.55     |
| 178   | 1200408178   | CAP SCREW                     | BOULON A TETE CYLINDRIQUE      | 1         | \$2.70     |
| 179   | 1200408179   | PLUG                          | BOUCHON                        | 1         | \$3.16     |



## ® Parts Pricing List / Liste de Prix des Pièces **KC-40HC(-5)**

| Diag. | Order # Com. | English Description              | Description Française                 | Qty./Qté. | Price/Prix |
|-------|--------------|----------------------------------|---------------------------------------|-----------|------------|
| 180   | 1200408180   | CAP SCREW                        | BOULON A TETE CYLINDRIQUE             | 2         | \$2.01     |
| 181   | 1200408181   | CENTER BASE                      | SOCLE DE CENTRE                       | 1         | \$327.75   |
| 189   | 1200408189   | SET SCREW                        | VIS SANS TETE                         | 3         | \$1.67     |
| 190   | 1200408190   | 3" ANGLE VISE                    | ETAU A ANGLE 3"                       | 1         | \$133.34   |
| 211   | 1200408211   | WORK TABLE CRS SL. & COL. BRACK. | TABLE DE TRAVAIL SYS. COUL./SUP./COL. | 1         | \$2,127.50 |
| 241   | 1200408241   | TABLE BASE (COLUMN BRACKET)      | SUPPORT DE COLONNE                    | 1         | \$833.75   |
|       | 120400MENG   | KC-40HC/HS ENGLISH MANUAL        | KC-40HC/HS MANUEL ANGLAIS             | 1         | \$15.00    |