



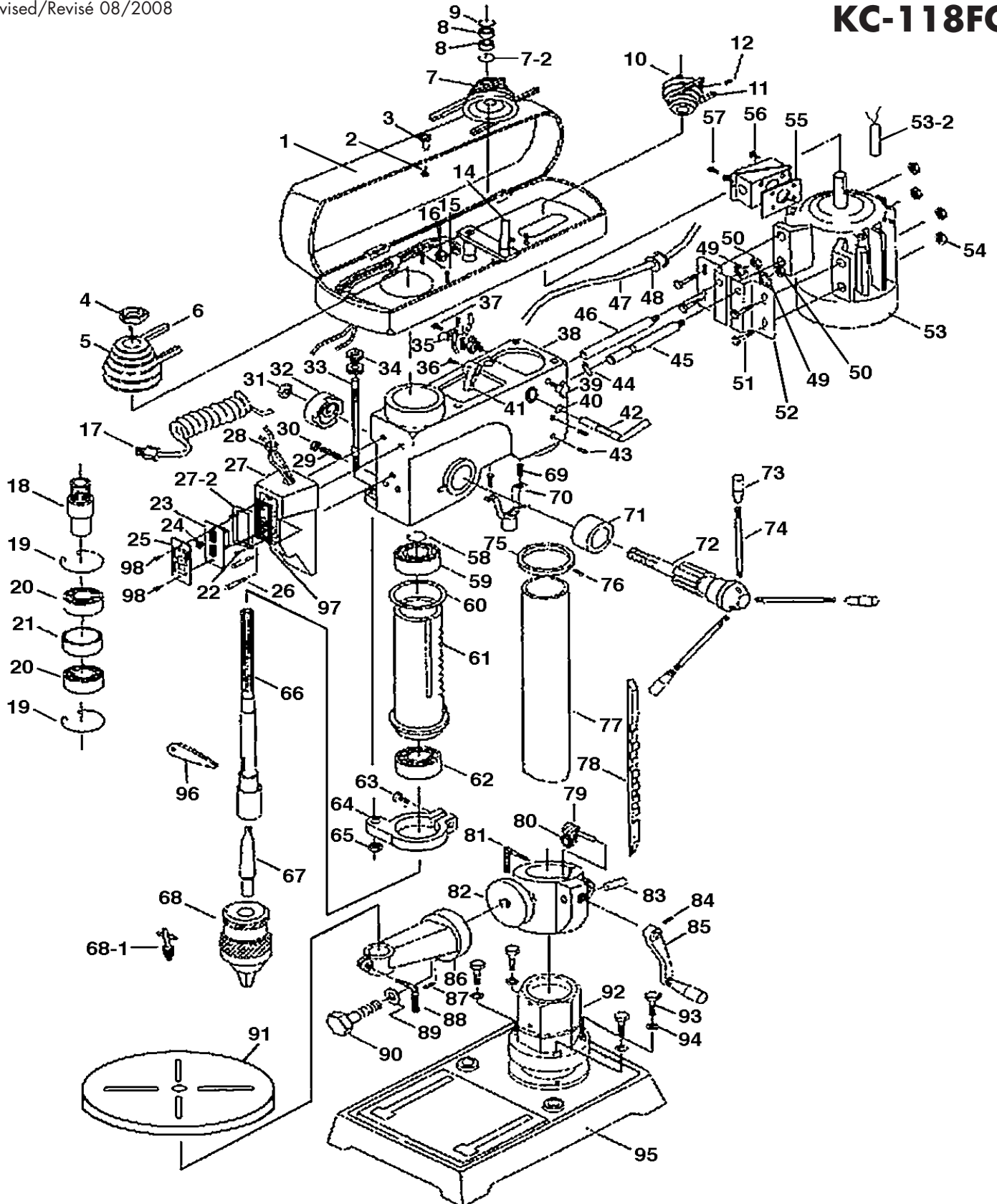
Service Manual / Manuel de Service

17" Drill Press Perceuse À Colonne 17"



Revised/Revisé 08/2008

KC-118FC





Parts Pricing List / Liste de Prix des Pièces **KC-118FC**

| Diag. | Order # Com. | English Description | Description Française | Qty./Qté. | Price/Prix |
|-------|--------------|--------------------------|---------------------------------|-----------|------------|
| 1 | 0201180010 | GUARD COVER | GARDE DES POULIES | 1 | \$62.04 |
| 2 | 0201180020 | PAN HD. SCREW | VIS A TETE RONDE | 1 | \$1.61 |
| 3 | 0201180030 | KNOB | BOUTON DU COUVERCLE | 1 | \$3.16 |
| 4 | 0201180040 | SPINDLE NUT | ECROU DE L'ARBRE | 1 | \$4.08 |
| 5 | 0201180050 | SPINDLE PULLEY | POULIE DE L'ARBRE | 1 | \$40.19 |
| 6 | 0201180060 | V-BELT | COURROIE EN V | 1 | \$10.29 |
| 7 | 0201180070 | MIDDLE PULLEY | POULIE DU MILIEU | 1 | \$34.44 |
| 7-2 | 0201180072 | WIRE RETAINING RING | ANNEAU DE RETENUE EN BROCHE | 1 | \$1.67 |
| 8 | 0201180080 | BALL BEARING | ROULEMENT A BILLES | 2 | \$11.44 |
| 9 | 0201180090 | RETAINING RING | ANNEAU DE RETENU | 1 | \$1.55 |
| 10 | 0201180100 | MOTOR PULLEY | POULIE DU MOTEUR | 1 | \$36.74 |
| 11 | 0201180110 | V-BELT | COURROIE EN V | 1 | \$11.10 |
| 12 | 0201180120 | SET SCREW | VIS SANS TETE | 1 | \$1.55 |
| 14 | 0201180140 | PIVOT SHAFT | TIGE DE PIVOTEMENT DE LA POULIE | 1 | \$15.93 |
| 15 | 0201180150 | SPECIAL SCREW | VIS SPECIALE | 1 | \$1.55 |
| 16 | 0201180160 | STRAIN RELIEF | ATTACHE-CORDON | 2 | \$2.59 |
| 17 | 0201180170 | POWER CORD | CORDON D'ALIMENTATION | 1 | \$22.94 |
| 18 | 0201180180 | PULLEY INSERT | MANCHON DE LA POULIE | 1 | \$29.38 |
| 19 | 0201180190 | RETAINING RING | ANNEAU DE RETENU | 2 | \$2.01 |
| 20 | 0201180200 | BALL BEARING | ROULEMENT A BILLES | 2 | \$19.49 |
| 21 | 0201180210 | BEARING SPACER | ESPACEUR DU ROULEMENT | 1 | \$3.39 |
| 22 | 0201180220 | PAN HD. SCREW | VIS A TETE RONDE | 3 | \$1.50 |
| 23 | 0201180230 | THIN START-STOP SWITCH | INTERRUPTEUR BOUTON ETROIT | 1 | \$34.44 |
| 24 | 0201180240 | LIGHT SWITCH BUTTON | INTERRUPTEUR POUR LUMIERE | 1 | \$6.84 |
| 25 | 0201180250 | SQ. BUTTON SW.COVER | PLAQUE D'INTER. BOUTON CARRE | 1 | \$18.34 |
| 26 | 0201180260 | PAN HD. SCREW | VIS A TETE RONDE | 2 | \$1.90 |
| 27 | 0201180270 | PLASTIC SWITCH BOX | BOITIER D'INTERRUPTEUR | 1 | \$12.36 |
| 27-2 | 0201180272 | SWITCH METAL PLATE | PLAQUE D'INTERRUPTEUR | 1 | \$2.70 |
| 28 | 0201180280 | GROMMET | BAGUE DE PROTECTION | 1 | \$2.24 |
| 29 | 0201180290 | SET SCREW (SPECIAL) | VIS SANS TETE (SPECIALE) | 1 | \$2.24 |
| 30 | 0201180300 | HEX. NUT | ECROU HEXAGONAL | 1 | \$1.90 |
| 31 | 0201180310 | LOCK NUT | ECROU DE VERROUILLAGE | 1 | \$3.16 |
| 32 | 0201180320 | TENSION SPRING ASSEMBLY | RESSORT DE TENSION ASSEMBLE | 1 | \$10.98 |
| 33 | 0201180330 | POST DEPTH STOP | TIGE DE PROFONDEUR | 1 | \$6.84 |
| 34 | 0201180340 | SPECIAL ROUND NUT | ECROU ROND SPECIAL | 2 | \$2.70 |
| 35 | 0201180350 | CORD CLAMP | RETENEUR DE CORDON | 1 | \$2.24 |
| 36 | 0201180360 | CAP SCREW | BOULON A TETE CYLINDRIQUE | 1 | \$1.73 |
| 37 | 0201180370 | SCREW | VIS | 1 | \$1.55 |
| 38 | 0201180380 | HEAD | TETE | 1 | \$206.94 |
| 39 | 0201180390 | THUMB SCREW | BOUTON DE VERROUILLAGE | 1 | \$3.28 |
| 40 | 0201180400 | RETAINING RING | ANNEAU DE RETENU | 1 | \$1.55 |
| 41 | 0201180410 | MOTOR BINDER LEVER | LEVIER POUR TENSION DU MOTEUR | 1 | \$11.44 |
| 42 | 0201180420 | LEVER SHAFT COMPLETE | TIGE LEVIER DE TENSION | 1 | \$13.74 |
| 43 | 0201180430 | SET SCREW | VIS SANS TETE | 2 | \$2.13 |
| 44 | 0201180440 | RETAINING RING | ANNEAU DE RETENU | 1 | \$2.24 |
| 45 | 0201180450 | MOTOR SUPPORT ROD (SLOT) | TIGE DE SUPPORT (RAINURE) | 1 | \$10.29 |
| 46 | 0201180460 | MOTOR SUPPORT ROD | TIGE DE SUPPORT DU MOTEUR | 1 | \$11.44 |

Pricing subject to change without prior notice. / Prix sujet à changement sans préavis.



Parts Pricing List / Liste de Prix des Pièces **KC-118FC**

| Diag. | Order # Com. | English Description | Description Française | Qty./Qté. | Price/Prix |
|-------|--------------|----------------------------|-------------------------------|-----------|------------|
| 47 | 0201180470 | ELECTRICAL CORD | CORDON ELECTRIQUE | 1 | \$34.44 |
| 48 | 0201180480 | STRAIN RELIEF | ATTACHE-CORDON | 1 | \$2.59 |
| 49 | 0201180490 | SPRING WASHER | RONDELLE A RESSORT | 2 | \$1.78 |
| 50 | 0201180500 | HEX. NUT | ECROU HEX. | 2 | \$1.78 |
| 51 | 0201180510 | HEX. BOLT | BOULON HEX. | 4 | \$1.78 |
| 52 | 0201180520 | MOTOR MOUNT | PLAQUE DE MONTAGE DU MOTEUR | 1 | \$16.04 |
| 53 | 0201180530 | MOTOR | MOTEUR | 1 | \$251.85 |
| 53-2 | 0201180532 | START.CAPACITOR | CONDENSATEUR DE DEMARRAGE | 1 | \$22.94 |
| 54 | 0201180540 | HEX. NUT | ECROU HEXAGONAL | 4 | \$1.50 |
| 55 | 0201180550 | RUBBER PLATE | PLAQUE EN CAOUTCHOUC | 1 | \$2.82 |
| 56 | 0201180560 | MOTOR JUNCTION BOX | BOITIER DE JONCTION DU MOTEUR | 2 | \$3.85 |
| 57 | 0201180570 | SCREW | VIS | 2 | \$1.55 |
| 58 | 0201180580 | RETAINING RING | ANNEAU DE RETENU | 1 | \$1.55 |
| 59 | 0201180590 | BALL BEARING | ROULEMENT A BILLES | 1 | \$11.44 |
| 60 | 0201180600 | RUBBER WASHER | RONDELLE EN CAOUTCHOUC | 1 | \$3.16 |
| 61 | 0201180610 | QUILL | MANCHON | 1 | \$85.04 |
| 62 | 0201180620 | BALL BEARING | ROULEMENT A BILLES | 1 | \$19.49 |
| 63 | 0201180630 | CAP SCREW | BOULON A TETE CYLINDRIQUE | 1 | \$1.90 |
| 64 | 0201180640 | CLAMPING SEAT DEPTH STOP | SUPPORT DE LA TIGE ECROU | 1 | \$14.89 |
| 65 | 0201180650 | HEX. NUT | HEXAGONAL | 1 | \$1.55 |
| 66 | 0201180660 | 1" x 12 1/2" SPINDLE SHAFT | AXE DU MANDRIN 1" x 12 1/2" | 1 | \$75.84 |
| 67 | KAT-23 | CHUCK ARBOR | ARBRE DE MANDRIN | 1 | - |
| 68 | KDC-58 | CHUCK | MANDRIN | 1 | - |
| 68-1 | KM-004 | CHUCK KEY | CLE DE MANDRIN | 1 | - |
| 69 | 0201180690 | SCREW | VIS | 2 | \$1.55 |
| 70 | 0201180700 | LAMP BRACKET | SUPPORT DE LUMIERE | 1 | \$8.80 |
| 71 | 0201180710 | SPACER | ESPACEUR | 1 | \$10.29 |
| 72 | 0201180720 | PINION | PIGNON | 1 | \$52.84 |
| 73 | 0201180730 | HANDLE KNOB | BOUTON DES POIGNEES | 3 | \$4.08 |
| 74 | 0201180740 | FEEDING HANDLE | POIGNEE DE DESCENTE | 3 | \$15.93 |
| 75 | 0201180750 | RACK COLLAR | COLLIER DE LA CREMAILLIERE | 1 | \$12.59 |
| 76 | 0201180760 | SET SCREW | VIS SANS TETE | 1 | \$1.55 |
| 77 | 0201180770 | COLUMN -80MM | COLONNE -80MM | 1 | \$86.08 |
| 78 | 0201180780 | RACK | CREMAILLIERE | 1 | \$29.84 |
| 79 | 0201180790 | ELEVATING WORM | ENGRENAGE DE L'ELEVATION | 1 | \$13.74 |
| 80 | 0201180800 | GEAR | ENGRENAGE | 1 | \$10.29 |
| 81 | 0201180810 | LOCK HANDLE | POIGNEE DE VERROUILLAGE | 1 | \$9.72 |
| 82 | 0201180820 | COLUMN BRACKET | SUPPORT DE COLONNE | 1 | \$80.44 |
| 83 | 0201180830 | GEAR SHAFT | TIGE DE L'ENGRENAGE | 1 | \$4.31 |
| 84 | 0201180840 | SET SCREW | VIS SANS TETE | 1 | \$1.55 |
| 85 | 0201180850 | CRANK HANDLE ASSEMBLY | MANIVELLE ASSEMBLEE | 1 | \$14.89 |
| 86 | 0201180860 | TABLE ARM | BRAS DE LA TABLE | 1 | \$68.94 |
| 87 | 0201180870 | SET SCREW | VIS SANS TETE | 1 | \$1.55 |
| 88 | 0201180880 | TABLE LOCK HANDLE | POIGNEE DE VERROUILLAGE | 1 | \$7.99 |
| 89 | 0201180890 | SPRING WASHER | RONDELLE A RESSORT | 1 | \$1.61 |
| 90 | 0201180900 | HEX. BOLT | BOULON HEXAGONAL | 1 | \$2.93 |
| 91 | 0201180910 | 13 3/4" ROUND TABLE | TABLE RONDE 13 3/4" | 1 | \$87.34 |

Pricing subject to change without prior notice. / Prix sujet à changement sans préavis.



® Parts Pricing List / Liste de Prix des Pièces **KC-118FC**

| Diag. | Order # Com. | English Description | Description Française | Qty./Qté. | Price/Prix |
|-------|--------------|---------------------------|---------------------------|-----------|------------|
| 92 | 0201180920 | COLUMN SUPPORT | SUPPORT DE LA COLONNE | 1 | \$103.44 |
| 93 | 0201180930 | HEX. BOLT | BOULON HEXAGONAL | 4 | \$2.01 |
| 94 | 0201180940 | SPRING WASHER | RONDELLE A RESSORT | 4 | \$1.55 |
| 95 | 0201180950 | BASE | SOCLE | 1 | \$114.94 |
| 96 | 0201180960 | DRIFT KEY | COIN A CALLER | 1 | \$6.50 |
| 97 | 0201180970 | RUBBER DAMPENER | CAOUTCHOUC ANTI-VIBRATION | 1 | \$3.39 |
| 98 | 0201180980 | PAN HD. SCREW | VIS A TETE RONDE | 2 | \$1.67 |
| | 020118MBIL | BILINGUAL MANUAL KC-118FC | MANUEL BILINGUE KC-118FC | 1 | \$15.00 |