



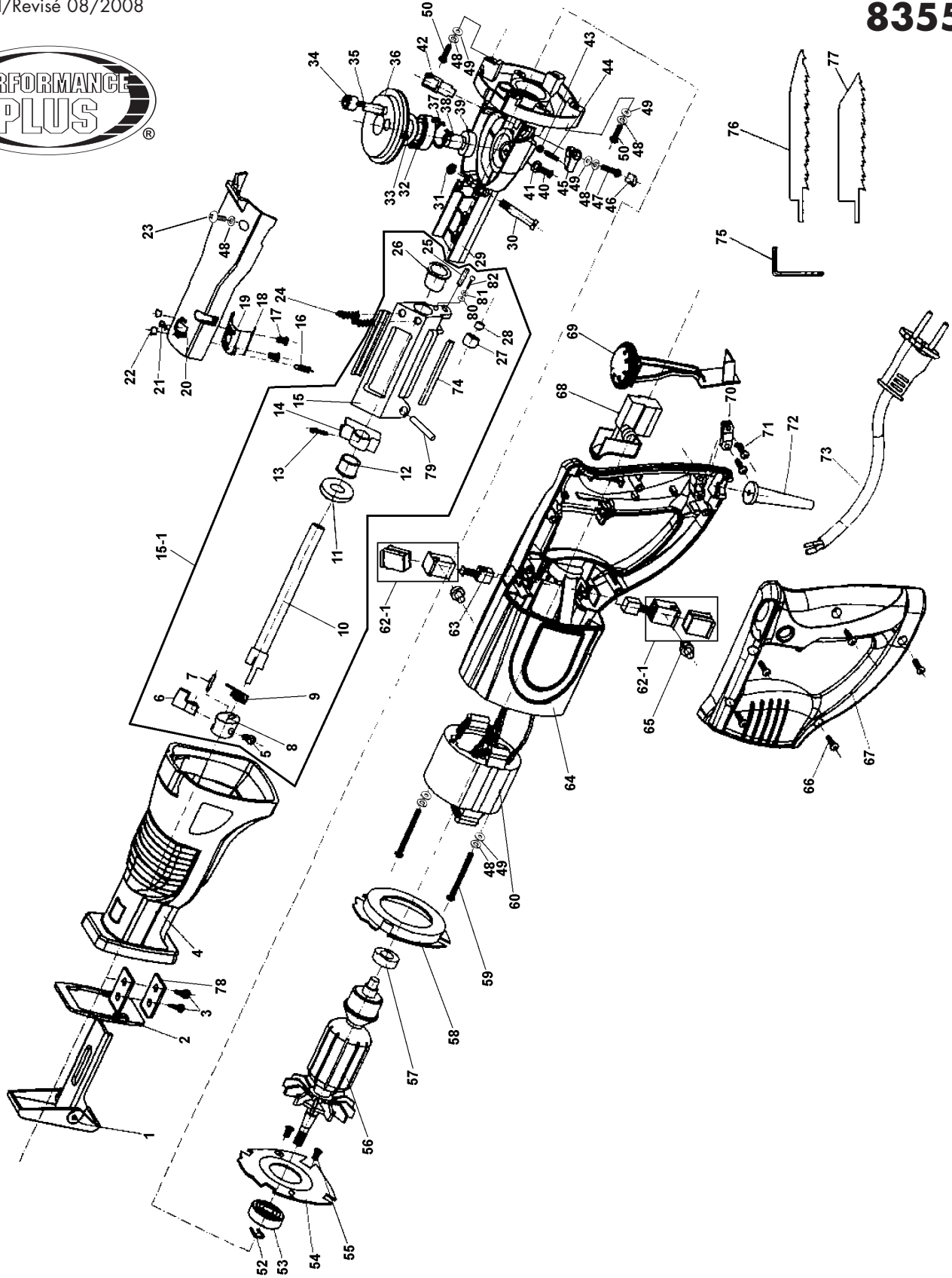
# Service Manual / Manuel de Service

## Variable Speed Oscillating Reciprocating Saw Kit Ens. Scie Alternative Oscillante à Vitesses Variables



Revised/Revisé 08/2008

### 8355QC





## Parts Pricing List / Liste de Prix des Pièces

# 8355QC

Diag.	Order # Com.	English Description	Description Française	Qty./Qté.	Price/Prix
1	4808350010	ADJUSTABLE BOTTOM PLATE	PLATEAU DU BRAS AJUSTABLE	1	\$27.54
2	4808350020	GUARD PLATE	PLAQUE DU GARDE	1	\$25.24
3	4808350030	ROUND HD ALLEN SCREW	VIS A TETE RONDE "ALLEN"	2	\$2.01
4	4808350040	RUBBER SLEEVE	MANCHON EN CAOUTCHOUC	1	\$14.89
5	4808350050	HOLDING SCREW	VIS DE RETENUE	1	\$2.13
6	4808350060	HOLDING LEVER	LEVIER DE RETENU	1	\$4.54
7	4808350070	PIN	GOUPILLE	1	\$1.44
8	4808350080	BLADE HOLDER	PORTE-LAME	1	\$9.14
9	4808350090	SPRING	RESSORT	1	\$2.82
10	4808350100	RECIPROCATING BAR	BARRE DE MOUVEMENT	1	\$9.14
11	4808350110	FELT	FEUTRE	1	\$2.93
12	4808350120	OIL-LESS BEARING A	ROULEMENT A BILLES SANS HUILE A	1	\$11.44
13	4808350130	SPRING PIN	GOUPILLE A RESSORT	1	\$2.93
14	4808350140	SLIDE GUIDE	GUIDE DE COULISSEMENT	1	\$5.69
15	4808350150	RECIPROCATING BAR SUPPORT	SUP. DE LA BARRE DE MOUVEMENT	1	\$25.24
15-1	4808350151	RECIPROCATING BAR ASS'Y	ASS. DE LA BARRE DE MOUVEMENT	1	\$45.94
16	4808350160	SPRING	RESSORT	1	\$3.05
17	4808350170	COUNTERSUNK SCREW	VIS A TETE FRAISEE	2	\$1.67
18	4808350180	PRESSURE PLATE	PLAQUE DE PRESSION	1	\$4.54
19	4808350190	BLADE HOLDER GUIDE	GUIDE DU SUPPORT DE RETENU/LAME	1	\$6.84
20	4808350200	HEAD COVER	COUVERCLE DE LA TETE	1	\$11.44
21	4808350210	BLADE HOLDER GUIDE BOTTOM	BAS DU GUIDE DU PORTE-LAME	1	\$4.54
22	4808350220	AXIS NUT	ECROU D'AXE	2	\$2.24
23	4808350230	PAN HD SCREW	VIS A TETE BOMBEE	3	\$1.67
24	4808350240	SPRING	RESSORT	2	\$4.20
25	4808350250	SHAFT	TIGE	1	\$4.31
26	4808350260	BEARING B WITHOUT OIL	ROULEMENT A BILLES SANS HUILE B	1	\$11.33
27	4808350270	NEEDLE BEARING COVER	COUV. DU ROULEMENT A AIGUILLES	1	\$5.69
28	4808350280	NEEDLE BEARING	ROULEMENT A AIGUILLES	1	\$12.59
29	4808350290	MAIN FRAME	CHASSIS PRINCIPAL	1	\$17.19
30	4808350300	SPECIAL SCREW	VIS SPECIALE	1	\$3.28
31	4808350310	NYLON HEX. NUT	ECROU HEX. AVEC NYLON	1	\$2.13
32	4808350320	BALL BEARING	ROULEMENT A BILLES	1	\$12.25
33	4808350330	WASHER	RONDELLE	1	\$2.01
34	4808350340	WHEEL	ROUE	1	\$6.04
35	4808350350	PIN	GOUPILLE	1	\$3.28
36	4808350360	GEAR	ENGRENAGE	1	\$34.44
37	4808350370	RETAINING RING/BORE	ANNEAU DE RETENU/ALESAGE	1	\$1.67
38	4808350380	SPINDLE	ARBRE	1	\$6.61
39	4808350390	BALL BEARING	ROULEMENT A BILLES	1	\$13.74
40	4808350400	COUNTERSUNK SCREW	VIS A TETE FRAISEE	1	\$1.78
41	4808350410	SPECIAL WASHER	RONDELLE SPECIALE	1	\$2.01
42	4808350420	MODE SELECTOR PIN	GOUPILLE DU SELECTEUR DE MODE	1	\$7.99
43	4808350430	STEEL BALL	BILLE EN ACIER	1	\$2.59
44	4808350440	SPRING	RESSORT	2	\$2.59
45	4808350450	MODE SELECTOR	SELECTEUR DE MODE	1	\$5.69
46	4808350460	BUTTON COVER	COUVERCLE DU BOUTON	1	\$1.67

Pricing subject to change without prior notice. / Prix sujet à changement sans préavis.



## Parts Pricing List / Liste de Prix des Pièces

# 8355QC

Diag.	Order # Com.	English Description	Description Française	Qty./Qté.	Price/Prix
47	4808350470	PAN HD SCREW	VIS A TETE BOMBEE	1	\$1.67
48	4808350480	SPRING WASHER	RONDELLE A RESSORT	10	\$1.55
49	4808350490	WASHER	RONDELLE	8	\$1.55
50	4808350500	PAN HD SCREW	VIS A TETE BOMBEE	4	\$2.01
52	4808350520	RETAINING RING/SHAFT	ANNEAU DE RETENU/TIGE	1	\$1.50
53	4808350530	BALL BEARING	ROULEMENT A BILLES	1	\$10.29
54	4808350540	BEARING COVER	COUVERCLE DU ROULEMENT	1	\$4.43
55	4808350550	COUNTERSUNK SCREW	VIS A TETE FRAISEE	2	\$1.78
56	4808350560	ARMATURE	ARMATURE	1	\$39.04
57	4808350570	BALL BEARING	ROULEMENT A BILLES	1	\$13.74
58	4808350580	FAN BAFFLE	PROTECTEUR DU VENTILATEUR	1	\$9.14
59	4808350590	PAN HD SCREW	VIS A TETE BOMBEE	2	\$2.82
60	4808350600	FIELD COIL	BOBINE D'ENTRAINEMENT	1	\$37.89
62-1	4808350621	CARBON BRUSH HOLDER	PORTE-BALAIS	2	\$4.20
63	4808350630	CARBON BRUSH SET (2)	JEU DE BALAIS (2)	1	\$12.59
64	4808350640	MAIN HOUSING	BOITIER PRINCIPAL	1	\$22.94
65	4808350650	RUBBER BUTTON	BOUTON EN CAOUTCHOUC	2	\$2.59
66	4808350660	TAPPING SCREW (SQUARE)	VIS AUTOTARAUDEUSE (CARREE)	5	\$2.59
67	4808350670	RIGHT HOUSING	BOITIER DROIT	1	\$11.33
68	4808350680	SWITCH	INTERRUPTEUR	1	\$16.04
69	4808350690	VAR. SPEED CONTROL	CONTROLE DE VITESSE VARIABLE	1	\$25.24
70	4808350700	CABLE SUPPORT	SUPPORT DU CABLE	1	\$2.93
71	4808350710	PAN HD SCREW	VIS A TETE BOMBEE	2	\$1.67
72	4808350720	POWER CORD PROTECTOR	PROTECTEUR DU CORDON D'ALIM.	1	\$3.39
73	4808350730	POWER CORD	CORDON D'ALIMENTATION	1	\$18.34
75	4808350750	HEX. KEY (3MM)	CLE HEXAGONALE (3MM)	1	\$2.59
76	4808350760	WOOD BLADE	LAME POUR BOIS	2	\$4.54
77	4808350770	METAL BLADE	LAME POUR METAL	2	\$4.54
78	4808350780	RUBBER PAD	TAMPON EN CAOUTCHOUC	1	\$4.89
79	4808350790	SLEEVE	MANCHON	1	\$2.70
80	4808350800	WASHER	RONDELLE	1	\$1.61
81	4808350810	SPRING WASHER	RONDELLE A RESSORT	1	\$1.55
82	4808350820	PAN HD SCREW	VIS A TETE BOMBEE	1	\$1.55
	480835MBIL	BILINGUAL MANUAL 8355QC	MANUEL BILINGUE 8355QC	1	\$15.00