



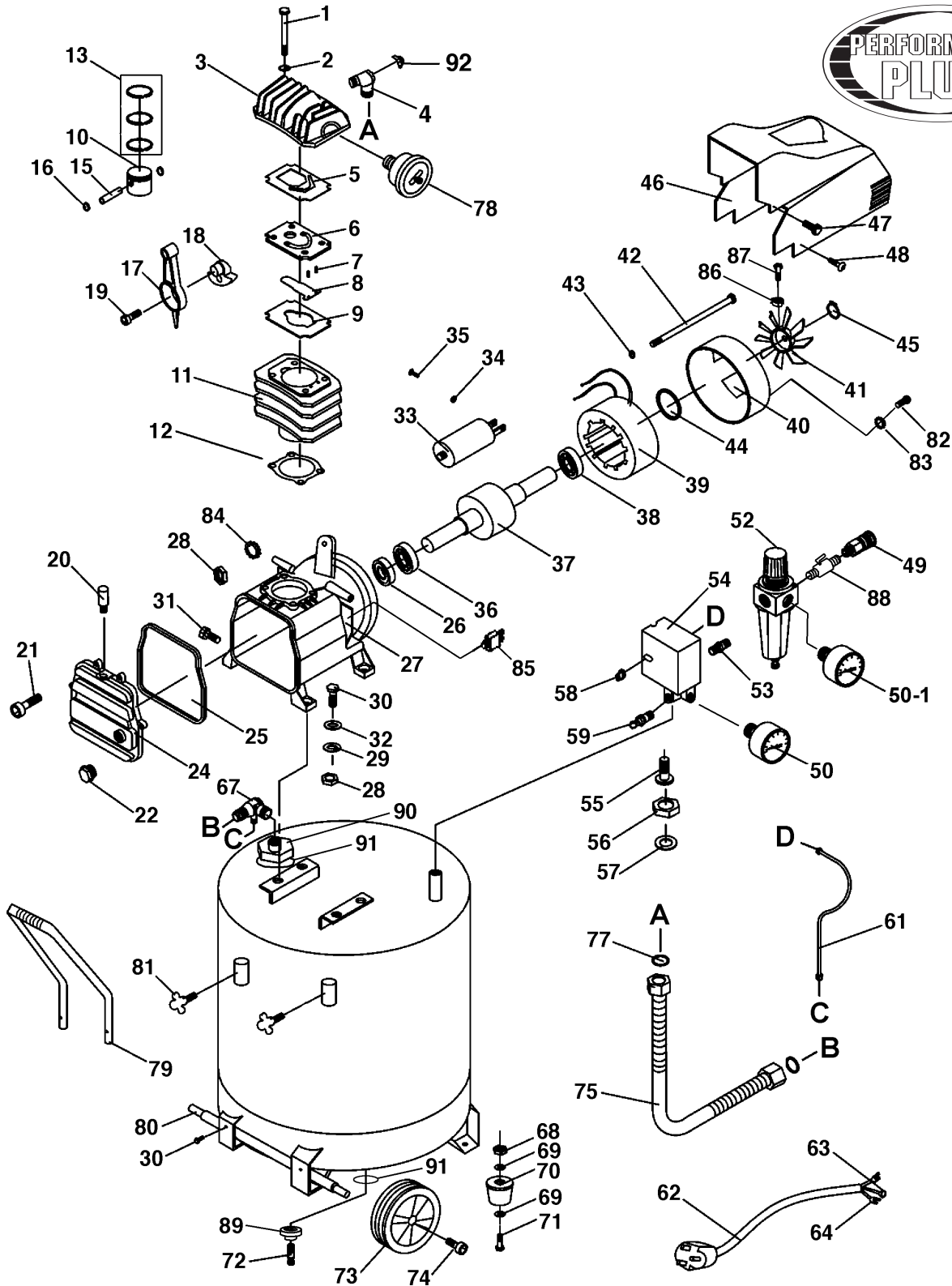
# Service Manual / Manuel de Service

## 5 Peak HP Air Compressor Compresseur à Air 5 CV Débit Max.



Revised/Revisé 08/2008

8498





## Parts Pricing List / Liste de Prix des Pièces

# 8498

Diag.	Order # Com.	English Description	Description Française	Qty./Qté.	Price/Prix
1	7284980010	HEX. BOLT	BOULON HEXAGONAL	4	\$3.74
2	7284980020	SPRING WASHER	RONDELLE A RESSORT	4	\$1.67
3	7284980030	CYLINDER HEAD	TETE DU CYLINDRE	1	\$43.64
4	7284980040	"T" FITTING	RACCORD EN "T"	1	\$3.39
5	7284980050	CYLINDER HEAD GASKET	JOINT D'ETANCHEITE/TETE DU CYL.	1	\$6.15
6	7284980060	VALVE PLATE ASS'Y	PLAQUES ET VALVES ASS.	1	\$21.79
7	7284980070	POSITION PIN	GOUPILLE DE POSITIONNEMENT	2	\$1.44
8	7284980080	VALVE INLET	VALVE D'ENTREE	1	\$5.69
9	7284980090	CYLINDER UPPER GASKET	JOINT D'ETANCHEITE DU HAUT DU CYL.	1	\$6.38
10	7284980100	PISTON	PISTON	1	\$18.34
11	7284980110	CYLINDER	CYLINDRE	1	\$34.44
12	7284980120	CYLINDER LOWER GASKET	JOINT D'ETANCHEITE DU BAS DU CYL.	1	\$6.27
13	7284980130	PISTON COMPRESSION RING SET (3)	JEU D'ANNEAUX DU PISTON (3)	1	\$11.44
15	7284980150	PISTON PIN	GOUPILLE DU PISTON	1	\$5.69
16	7284980160	RETAINING RING/BORE	ANNEAU DE RETENU/ALESAGE	2	\$1.55
17	7284980170	CONNECTING ROD	TIGE DE CONNECTION	1	\$14.55
18	7284980180	CRANK SHAFT	VILEBREQUIN	1	\$21.79
19	7284980190	CAP SCREW	BOULON A TETE CYLINDRIQUE	1	\$3.05
20	7284980200	OIL BREATHER CAP	CAPUCHON D'AERATION	6	\$5.69
21	7284980210	CAP SCREW	BOULON A TETE CYLINDRIQUE	1	\$2.24
22	7284980220	OIL SIGHT GAUGE ASS'Y	OEIL DU NIVEAU D'HUILE	1	\$4.54
24	7284980240	CRANKCASE COVER	COUVERCLE DU CARTER	1	\$36.74
25	7284980250	CRANKCASE COVER GASKET	JOINT D'ETANCHEITE DU CARTER	1	\$13.74
26	7284980260	OIL SEAL	JOINT D'ETANCHEITE DE L'HUILE	1	\$13.74
27	7284980270	CRANKCASE	CARTER	1	\$86.19
28	7284980280	HEX. NUT	ECROU HEXAGONAL	8	\$1.61
29	7284980290	SPRING WASHER	RONDELLE A RESSORT	4	\$1.67
30	7284980300	HEX. BOLT	BOULON HEXAGONAL	6	\$1.84
31	7284980310	OIL DRAIN HEX. BOLT	BOULON DE VIDANGE D'HUILE	1	\$3.74
32	7284980320	WASHER	RONDELLE	4	\$1.55
33	7284980330	CAPACITOR	CONDENSATEUR	1	\$20.53
34	7284980340	SPRING WASHER	RONDELLE A RESSORT	2	\$1.44
35	7284980350	PAN HD SCREW	VIS A TETE BOMBEE	2	\$1.44
36	7284980360	BALL BEARING	ROULEMENT A BILLES	1	\$17.19
37	7284980370	ARMATURE	ARMATURE	1	\$74.69
38	7284980380	BALL BEARING	ROULEMENT A BILLES	1	\$11.44
39	7284980390	FIELD COIL	BOBINE D'ENTRAINEMENT	1	\$103.44
40	7284980400	REAR MOTOR COVER	COUVERCLE ARRIERE DU MOTEUR	1	\$39.04
41	7284980410	FAN	VENTILATEUR	1	\$10.29
42	7284980420	HEX. BOLT	BOULON HEXAGONAL	4	\$4.31
43	7284980430	SPRING WASHER	RONDELLE A RESSORT	4	\$1.55
44	7284980440	WAVE WASHER	RONDELLE ONDULEE	1	\$2.70
45	7284980450	RETAINING RING/SHAFT	ANNEAU DE RETENU/TIGE	1	\$1.55
46	7284980460	MOTOR COVER	COUVERCLE DU MOTEUR	1	\$39.04
47	7284980470	FLANGE HD HEX. BOLT	BOULON HEXAGONAL A TETE BRIDEE	2	\$1.67
48	7284980480	TAPPING SCREW (POINTED)	VIS AUTOTARAUDEUSE (POINTUE)	2	\$1.67
49	7284980490	QUICK CONNECT (FEMALE)	RACCORD A CONNECTION RAP. (FEM)	1	\$11.33

Pricing subject to change without prior notice. / Prix sujet à changement sans préavis.



## Parts Pricing List / Liste de Prix des Pièces

# 8498

Diag.	Order # Com.	English Description	Description Française	Qty./Qté.	Price/Prix
50	7284980500	PRESSURE GAUGE (LARGE)	JAUGE A PRESSION (LARGE)	1	\$20.53
50-1	7284980501	PRESSURE GAUGE (SMALL)	JAUGE A PRESSION (PETIT)	1	\$16.04
52	7284980520	REGULATOR & WATER SEPARATOR	REGULATEUR ET SEPARATEUR D'EAU	1	\$34.44
53	7284980530	REGULATOR/WATER SEPAR. ADAPTOR	RACCORD	1	\$4.20
54	7284980540	PRESSURE SWITCH	MANOSTAT	1	\$43.64
55	7284980550	TANK ADAPTOR	CONNECTEUR DU RESERVOIR	1	\$4.54
56	7284980560	BRASS NUT	ECROU EN CUIVRE	1	\$2.59
57	7284980570	FIBRE WASHER	RONDELLE EN FIBRE	1	\$2.01
58	7284980580	STRAIN RELIEF	ATTACHE CORDON	1	\$2.24
59	7284980590	SAFETY VALVE	SOUPAPE DE SECURITE	1	\$12.59
61	7284980610	PRESSURE RELIEF TUBE ASS'Y	BOYEAU DE RELACHE ASS.	1	\$22.94
62	7284980620	POWER CORD	CORDON D'ALIMENTATION	1	\$27.54
63	7284980630	CABLE "Y" CONNECTOR	CONNECTEUR EN "Y"	2	\$2.24
64	7284980640	CABLE "O" CONNECTOR	CONNECTEUR EN "O"	1	\$2.24
67	7284980670	CHECK VALVE	SOUPAPE DE RETENUE	1	\$12.59
68	7284980680	HEX. NUT	ECROU HEXAGONAL	2	\$1.61
69	7284980690	WASHER	RONDELLE	4	\$1.90
70	7284980700	RUBBER FOOT	PIED EN CAOUTCHOUC	2	\$4.54
71	7284980710	HEX. BOLT	BOULON HEXAGONAL	2	\$2.01
72	7284980720	DRAIN VALVE	SOUPAPE DE VIDANGE	1	\$5.58
73	7284980730	8" WHEEL	ROUE DE 8"	2	\$17.19
74	7284980740	CAP SCREW	BOULON A TETE CYLINDRIQUE	2	\$1.73
75	7284980750	EXHAUST TUBE ASS'Y	TUYAU ET RACCORDS ASS.	1	\$24.90
77	7284980770	COPPER WASHER	RONDELLE EN CUIVRE	2	\$2.24
78	7284980780	AIR FILTER	FILTRE A AIR	1	\$11.10
79	7284980790	HANDLE	POIGNEE DE TRANSPORT	1	\$22.94
80	7284980800	WHEEL AXLE	TIGE DE RETENUE DES ROUES	1	\$13.63
81	7284980810	LOCK KNOB	BOUTON DE VERROUILLAGE	2	\$6.38
82	7284980820	PAN HD SCREW	VIS A TETE BOMBEE	1	\$1.55
83	7284980830	STAR WASHER	RONDELLE ETOILEE	1	\$1.67
84	7284980840	STAR WASHER	RONDELLE ETOILEE	4	\$1.67
85	7284980850	SAFETY RESET	RELAIS DE SECURITE	1	\$12.48
86	7284980860	HEX. NUT	ECROU HEXAGONAL	1	\$1.55
87	7284980870	CAP SCREW	BOULON A TETE CYLINDRIQUE	1	\$2.24
88	7284980880	CONNECTOR PIPE W/VALVE	RACCORD AVEC VALVE	1	\$13.51
89	7284980890	DRAIN VALVE ADAPTER	RACCORD DE LA SOUPAPE/VIDANGE	1	\$9.14
90	7284980900	CHECK VALVE ADAPTER	RACCORD DE LA SOUPAPE/RETENUE	1	\$12.59
91	7284980910	O-RING	JOINT TORIQUE	2	\$4.54
92	7984980920	EXHAUST VALVE	VALVE D'ECHAPPEMENT	1	\$3.16
	728498MBIL	BILINGUAL MANUAL 8498	MANUEL BILINGUE 8498	1	\$15.00