

KETTLER

Montageanleitung und Handhabungshinweise Parallelwippe Art.-Nr. 08311-400

Der Umwelt zuliebe: wir drucken auf 100% Altpapier!



- D
- GB
- F
- NL
- E
- I
- PL



FREIZEIT MARKE KETTLER



Assembly Instructions

Read these instructions carefully before assembling the product or using it for the first time. They contain important information for your safety and for the correct use and maintenance of this KETTLER product. Keep the instructions in a safe place for information or for ordering spare parts.

This KETTLER product has been designed in accordance with the latest standards of safety and subjected to constant quality monitoring. The data gained from this quality process is then incorporated in the development of our products. For this reason, we reserve the right to make changes in design and technology in order to offer our customers products of the highest standard of quality at all times. In spite of this, should you have any ground for complaint, please contact your KETTLER dealer.

For your safety

- This apparatus is to be used for its intended purpose only, that is: as child's play apparatus, for use by maximum one child per seating place or per individual play apparatus (exception: the surfboard may be used by maximum two children concurrently). All other use is inadmissible and potentially dangerous. The manufacturer may not be held responsible for any damages caused as a result of any use other than as directed.
- Mounting of the apparatus is permitted only in a private household environment. Any use in public or semi-public playgrounds or in Kindergartens is inadmissible.
- In choosing the location of the apparatus, ensure a sufficient safety distance from any obstacles (walls, fences, trees). The apparatus must not be mounted in the immediate vicinity of main passageways (paths, doorways, corridors). Observe the illustration concerning the safety area!
- Please bear in mind that there is always a danger of children injuring themselves whilst using swings, climbing frames, toy vehicles or similar equipment.
- The ground in the play and safety area should consist of unbound, shock-absorbing ground material.
- The apparatus must stand firmly, safe from tilting or tipping. Pay particular attention: the apparatus must be set in concrete using the screws included, strictly according to our illustration.
- Damaged components can endanger children and reduce the product life. Control all components in regular intervals of 1 – 3 months, depending on use, against possible damages and loose connections.
- Before use always check that all screws and plug-in connections and respective safety devices fit correctly.
- Damaged or worn parts must be replaced immediately and the apparatus is not to be used until restored. In case of need, exclusively Original KETTLER replacement parts should be used.
- The device is safety tested.
- Improper repair or constructional changes (disassembly of original parts, attachment of unapproved parts, etc.) can result in danger to the user. Modifications to the apparatus, in particular to the suspension arrangement, are prohibited.
- Use of the apparatus is permitted for children of up to 50 kg (ca. 14 years of age).
- Small children are permitted to use the apparatus only when aided by an adult, since small children are not strong enough to keep their own body weight balanced during play.
- Please note that high turning velocities or jerky changes of velocity with a simultaneous swinging may cause children to lose their balance and to fall out of the swing. For this reason, there is a stop with regard to turning motions. Children up to an age of 6 years should use the swing with this turning lock and under the supervision of an adult only.

How to handle

- Make sure that usage does not commence until the apparatus has been properly assembled and subsequently controlled by an adult.
- Instruct children on the proper handling of the apparatus and advise them of possible dangers.
- Remember that the children's natural play instinct and temper may lead to unforeseeable situations excluding a responsibility of the manufacturers.
- Although dangers to children during proper use of the apparatus are highly unlikely, all play on the apparatus should be monitored by an adult.
- For cleaning and caring the swing only use environmentally friendly and no aggressive or corroding agents.
- Regularly grease the moving parts with some drops of oil.

Instructions for Assembly

- Ensure that you have received all the parts required (see check list) and that they are undamaged. Should you have any cause for complaint, please contact your KETTLER dealer.
- Before assembling the equipment, study the drawings carefully and carry out the operations in the order shown by the diagrams. The correct sequence is given in capital letters.
- The fastening material required for each assembly step is shown in the diagram inset. Use the fastening material exactly as instructed. The required tools are supplied with the equipment.
- The equipment must be assembled with due care by an adult person. If in doubt call upon the help of a second person, if possible technically talented.
- Please note that there is **always** a danger of injury when working with tools or doing manual work. Therefore please be careful when assembling this machine.
- Ensure that your working area is free of possible sources of danger, for example don't leave any tools lying around. Always dispose packaging material in such a way that it may not cause any danger. There is always a **risk of suffocation** if children play with plastic bags!
- Bolt all the parts together loosely at first, and check that they have been assembled correctly. Tighten the locknuts by hand until resistance is felt, then **use spanner to finally tighten nuts completely against resistance (locking device)**. Then check that all screw connections have been tightened firmly. **Attention:** once locknuts have been unscrewed they no longer function correctly (the locking device is destroyed), and must be replaced.
- For technical reasons, we reserve the right to carry out preliminary assembly work (e.g. addition of tubing plugs).
- **Waste Disposal:** KETTLER products are recyclable. At the end of its useful life please dispose of this article correctly and safely (local refuse sites).

List of spare parts

When ordering spare parts, always state the full article number, spare-partnumber, the quantity required and the S/N of the product (see spare parts drawing).

Example order: Art. no. 08311-400 / spare-part no. 10100016 / 2 pieces / S/N.....

GB Assembly Instructions

Important: spare part prices do not include fastening material; if fastening material (bolts, nuts, washers etc.) is required, this should be clearly stated on the order by adding the words „**with fastening material**“.

Please keep original packaging of this article, so that it may be used for transport at a later date, if necessary. Goods may **only** be returned after prior arrangement and in (internal) packaging, which is safe for transportation, in the original box if possible. It is important to provide a detailed defect description / damage report!

GB KETTLER GB Ltd.

KETTLER House, Merse Road · North Moons Moat · Redditch, Worcestershire B98 9HL

USA KETTLER International Inc.

1355 London Bridge Road · Virginia Beach, VA 23453

<http://www.kettler.de>

Checkliste (Packungsinhalt)

GB Checklist (contents of packaging)

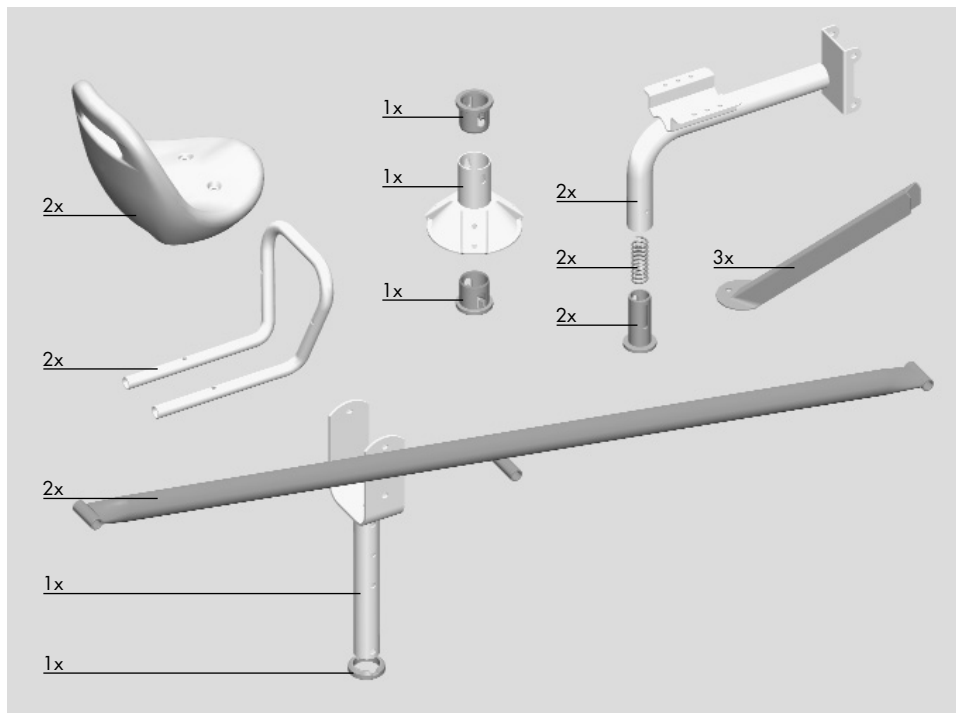
F Liste de vérification (contenu de l'emballage)

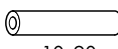
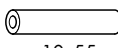
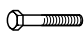
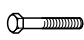
NL Checklijst (verpakingsinhoud)





E Lista de control (contenido del paquete)





I Lista di controllo (contenuto del pacco)




PL Lista kontrolna (zawartość opakowania)



 ø10x90	2x	✓
 ø10x55	4x	
 M8x110	2x	
 M8x75	4x	

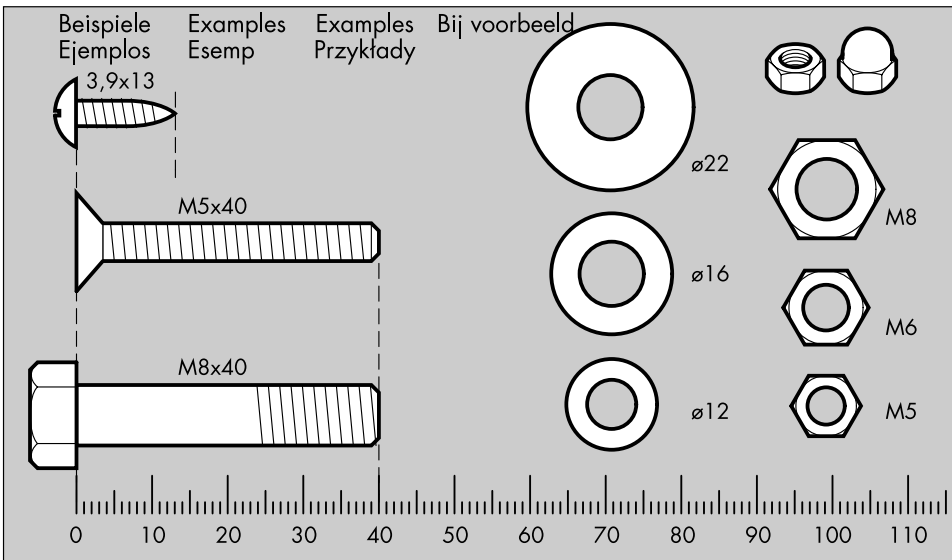
 M8x55	1x	
 M8x50	2x	
 M6x16	6x	
 M5x52	4x	

	6x	
	8x	
	4x	
	9x	

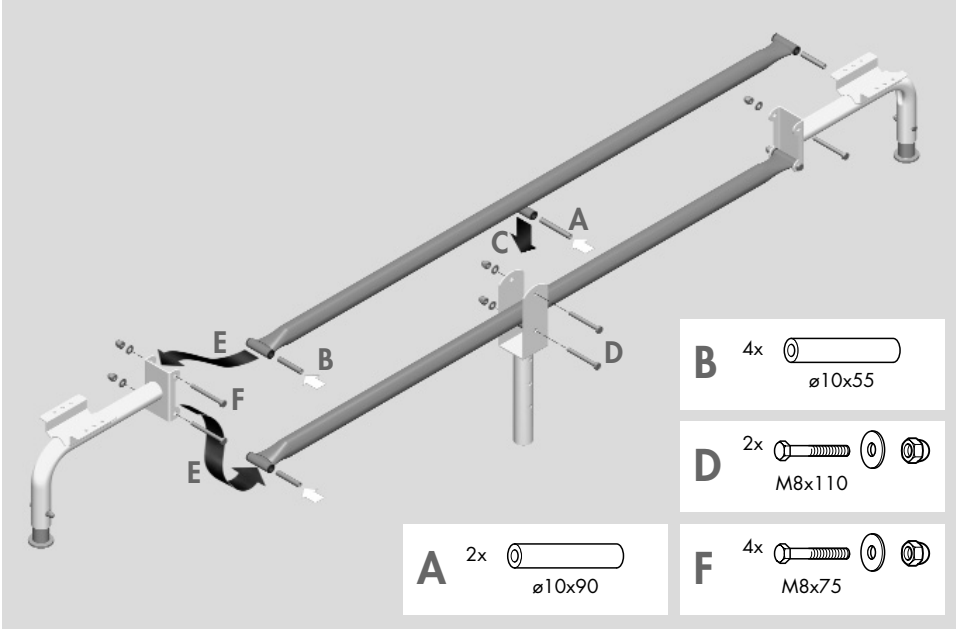
	4x	
	6x	
	4x	

Messhilfe für Verschraubungsmaterial

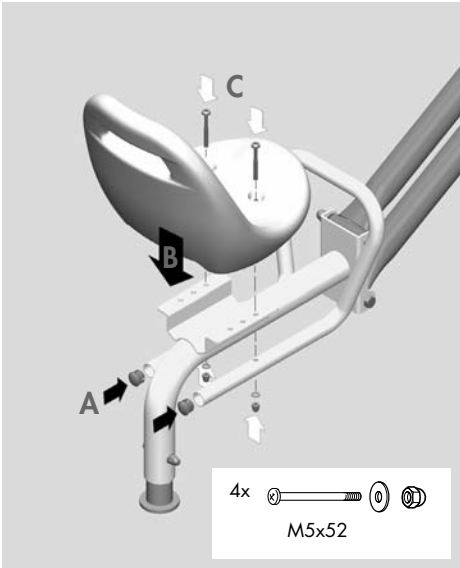
- GB** Measuring help for screw connections **E** Ayuda para la medición de los tornillos
F Gabarit pour système de serrage **I** Misura per i materiali di avvitamento
NL Meethulp voor schroefmateriaal **PL** Wzornik do połączeń śrubowych



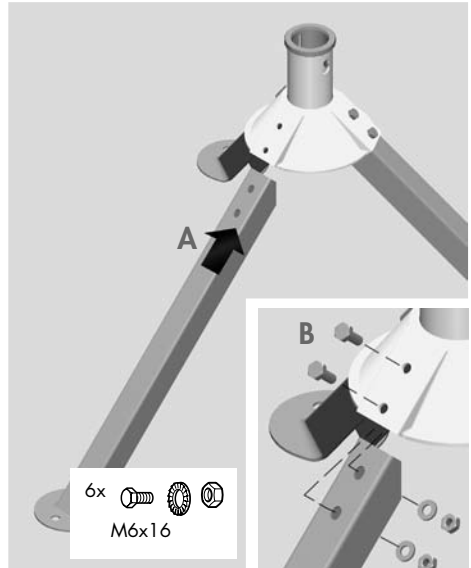
1



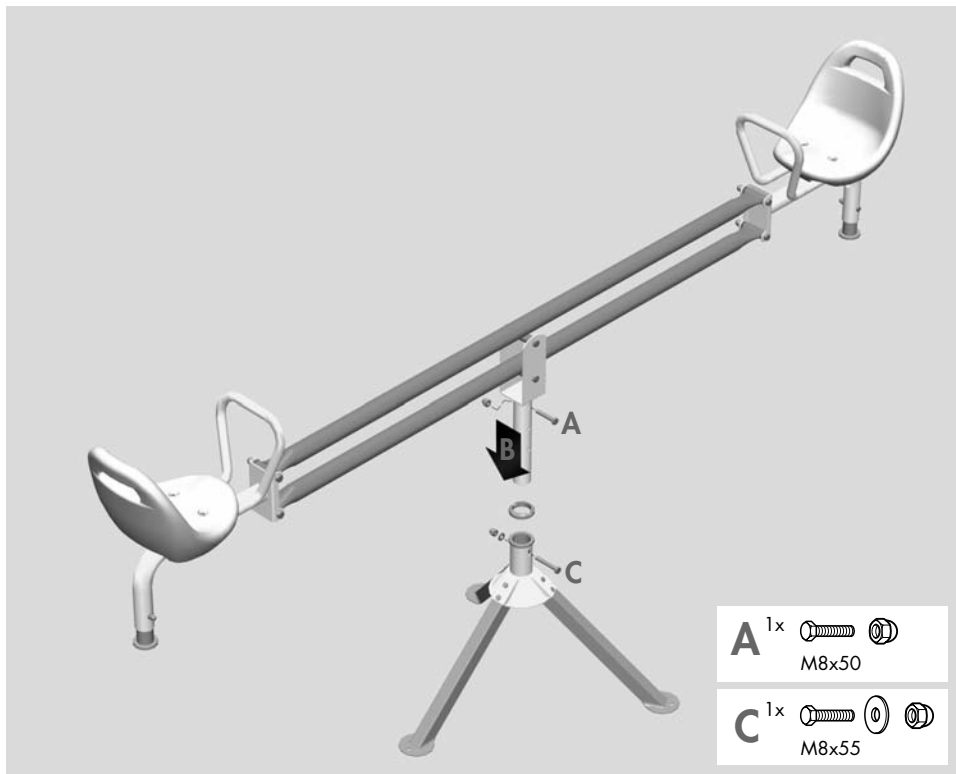
2



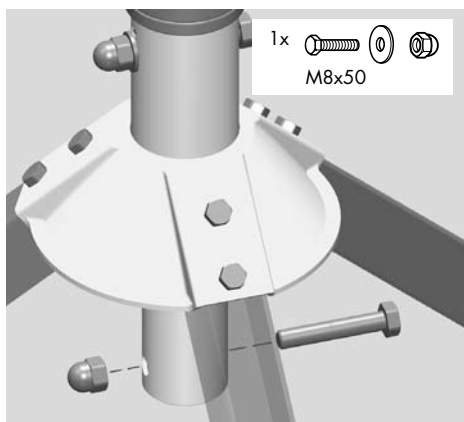
3

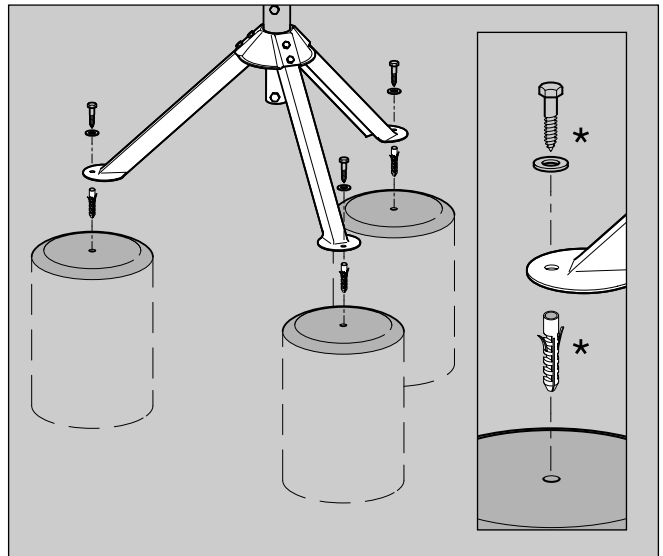
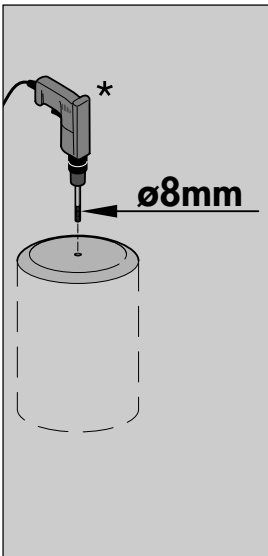
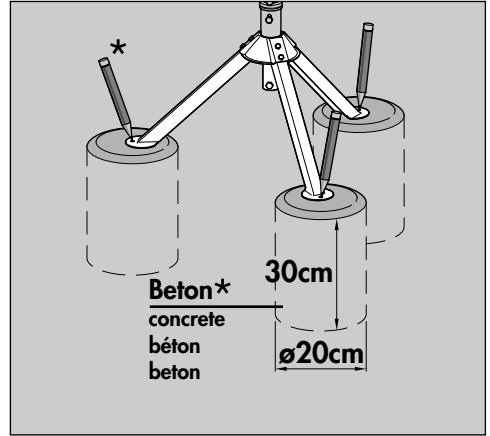
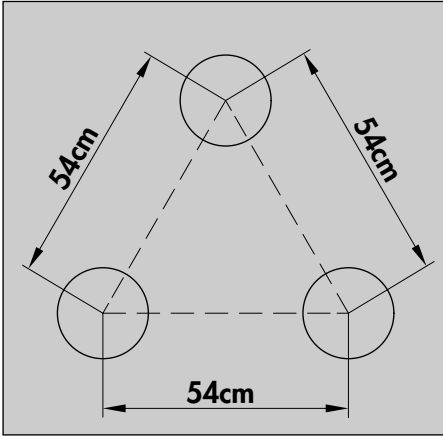


4



5





- * Gehört nicht zum Lieferumfang.
 Not included.
 Ne fait pas partie du domaine de livraison.
 Is niet in de levering ingesloten.
 No forma parte del volumen de entrega.
 Non in dotazione alla fornitura.
 Nie należy do zakresu dostawy.

Handhabungshinweise

GB Handling

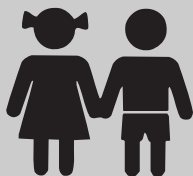
F Indications relatives à la manipulation

NL Bedieningsinstructies

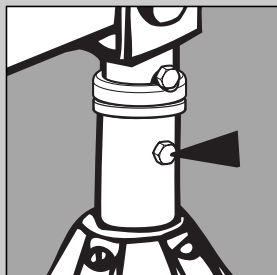
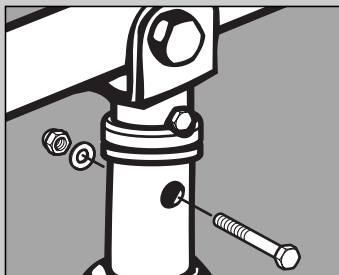
E Instrucciones de manejo

I Avvertenze per il maneggio

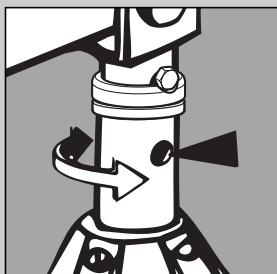
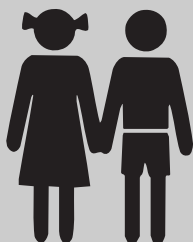
PL Wskazówki obsługowe



bis 6 Jahre
until age of 6
moins de 6 ans
onder 6 jaar
de hasta 6 años
max. 6 anni
do 6 lat



M8x55



6 Jahre – 50 kg (ca. 14 Jahre)
6 years – 50 kg (ca. 14 years)
6 ans – 50 kg (ca. 14 ans)
6 jaar – 50 kg (ca. 14 jaar)
6 años – 50 kg (ca. 14 años)
6 anni – 50 kg (ca. 14 anni)
6 lat – 50 kg (ca. 14 lat)

Sicherheitsbereich

GB Safety Zone

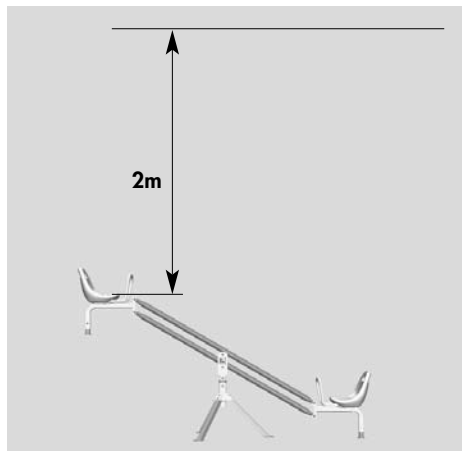
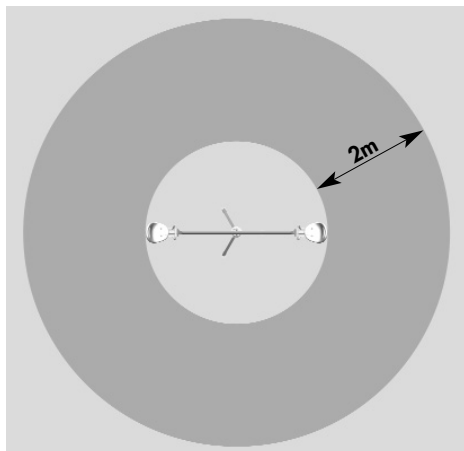
F Zone de sécurité

NL Veiligheidszon

E Zona de seguridad

I Sattore di sicurezza

PL Strefa bezpieczna



Ersatzteilzeichnung und -liste

GB Spare parts drawing and list

F Dessin et liste des pièces de rechange

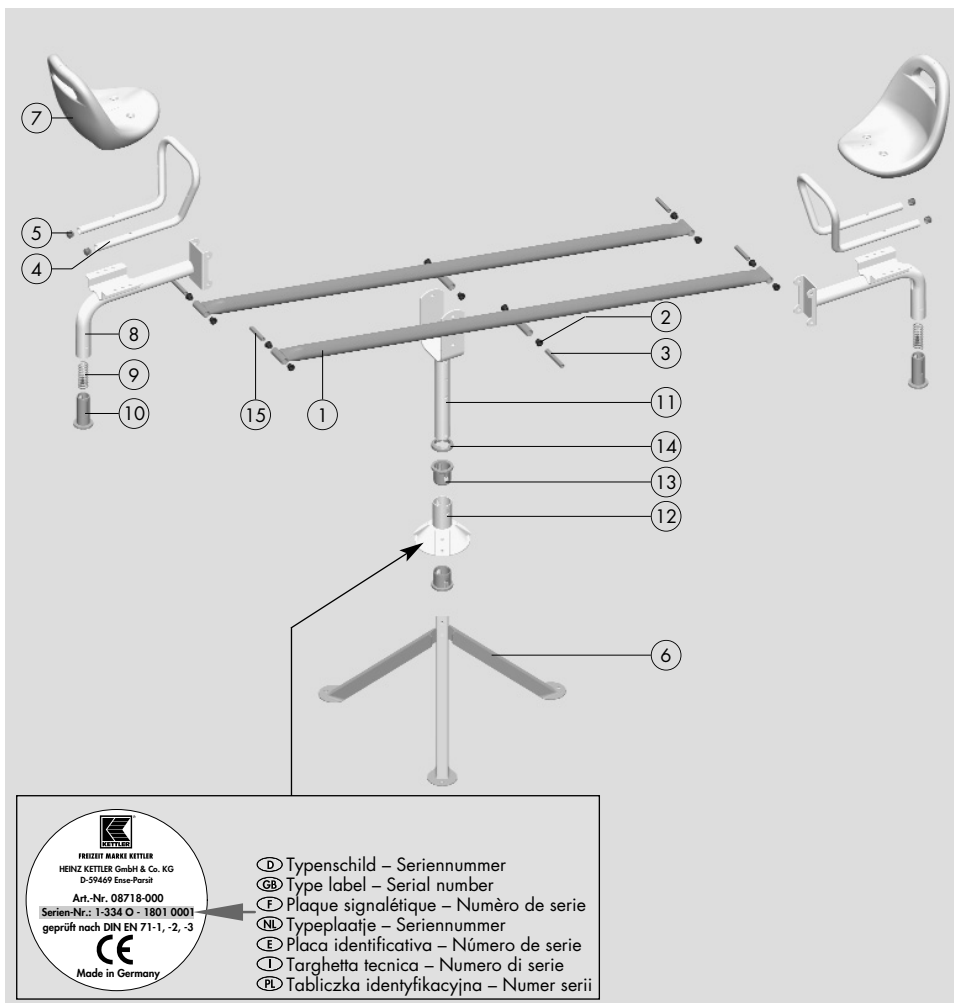
NL Reserveonderdeeltkening en -lijst

E Designación y lista de las piezas de recambio

I Disegno ed elenco dei pezzi di ricambio

PL Rysunek i lista części zamiennych

Teil Nr.	Bezeichnung	Stück	Ersatzteil-Nr. für 08311-400
1a	Parallelrohr (kpl. mit Radnaben. ø10,5mm und Distanzrohren) rot/weiß	1	94210632
1b	Parallelrohr (kpl. mit Radnabenbuchsen ø10,5mm und Distanzrohren) rot	1	94210629
2	Radnabenbuchse ø10,5mm	12	10116013
3	Distanzrohr ø10x0,9x90mm	2	97201444
4	Griffbügel	2	94211187
5	Stopfen für ø18mm	4	10100006
6	Fuß	3	94312052



Teil Nr.	Bezeichnung	Stück	Ersatzteil-Nr. für 08311-400
7	Blassitz	2	70120239
8	Sitzträger (kpl. mit Druckfeder, Federfuß und Bef.-Mat.)	2	94210644
9	Druckfeder	2	25536142
10	Federfuß	2	70130245
11	Gabelbock	1	94211179
12	Fußflansch	1	94210641
13	Lagerbuchse	2	70130250
14	Gleitring	1	70130255
15	Distanzrohr $\varnothing 10 \times 0,9 \times 55 \text{mm}$	4	97200548
16	Schraubenbeutel	1	94280177