

POWER SUBWOOFER

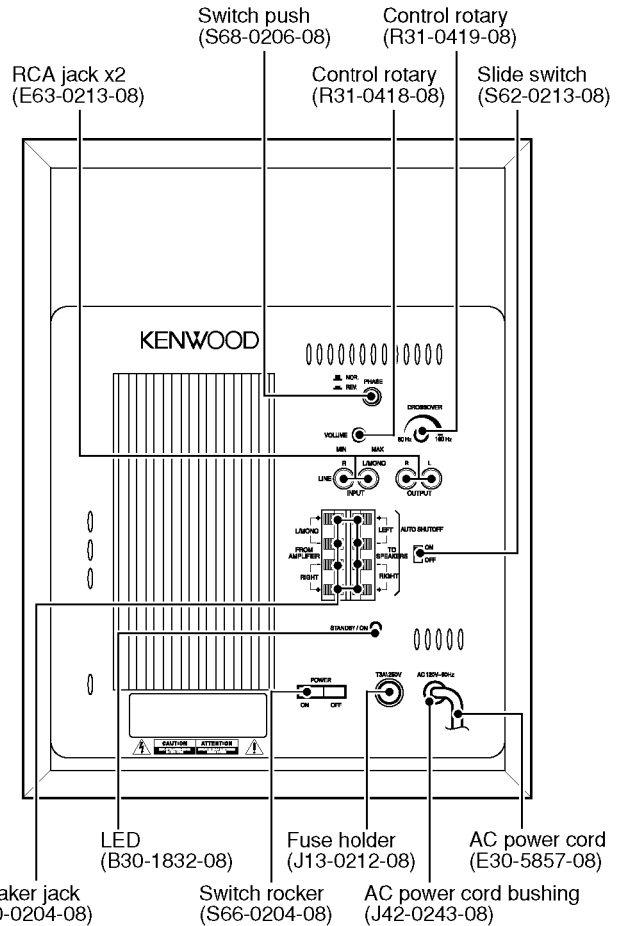
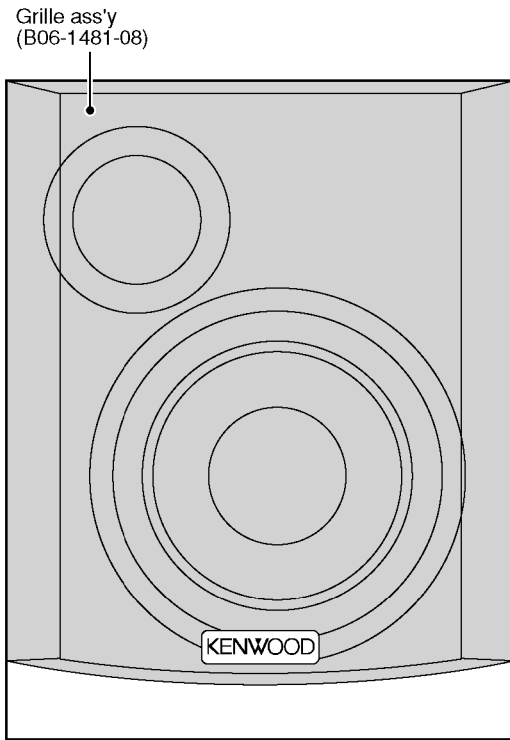
KS-303HT/SW-22HT/25HT

SERVICE MANUAL

REVISED

KENWOOD

© 2001-4/B51-5710-00 (K/K) 1362



KS-303HT is bundled up satellite speaker. SW-22HT and SW-25HT are Subwoofer only.

SPECIFICATIONS

Front speaker, Center speaker, Rear speaker

	Front speaker	Center speaker	Rear speaker
system	2 way (Magnetically shielded)	2 way (Magnetically shielded)	1 way
Enclosure	Acoustic Air Suspension	Acoustic Air Suspension	Acoustic Air Suspension
Loudspeaker			100 mm(4") Cone type (Full Range type)
	Woofers: 100 mm(4") Cone type	100 mm(4") Cone type	-
	Tweeter: 50 mm(2") Cone type	50 mm(2") Cone type	-
Nominal Impedance	8 Ω	8 Ω	8 Ω
Peak Input Power	-	80W	80W
Maximum Input Power	80W	40W	40W
Sensitivity	88dB/Wat 1m	88dB/Wat 1m	85dB/Wat 1m
Frequency Response	100Hz ~ 20,000 Hz	100Hz ~ 20,000 Hz	100Hz ~ 20,000 Hz
Crossover Frequency	3,000 Hz	3,000 Hz	-
Dimensions	Width: 129mm(5-1/16") Height: 198mm(7-13/16") Depth: 120mm(4-3/4")	129mm(5-1/16") 198mm(7-13/16") 120mm(4-3/4")	129mm(5-1/16") 198mm(7-13/16") 120mm(4-3/4")
Net Weight	1.2kg(2.6lb)/piece	1.0kg(2.2lb)	0.8kg(1.8lb)/Piece

Subwoofer(SW-22HT/SW-25HT)

	System	Subwoofer system with built-in amplifier
Audio section	Output Power	50 Watts RMS, at 4Ω from 40 Hz to 160 Hz with no more than 0.09% total harmonic distortion
	Input Sensitivity/Impedance	100 mV/43 kΩ, 200 mV/43 kΩ (MONO)
	RCA-type pin-plug jack (LINE IN):	1.8V/1.2 kΩ
	Push-type terminals:	1.8V/1.2 kΩ
Speaker section	Turn Over Frequency	80 Hz ~ 160 Hz
	Phase Switching	NORMAL, REVERSE
	Enclosure	Bass-Reflex
	Loudspeaker	200 mm (8") Cone type
General	Nominal Impedance	4 Ω
	Frequency Response	40 Hz ~ 250 Hz
	Power Consumption	110 W
	Supply Voltage	AC120 V, 60 Hz
	Dimensions	Width: 286 mm (11-1/4") Height: 368 mm (14-1/2") Depth: 356 mm (14")
	Net Weight	11.2 kg (24.7 lb)
Enclosure Finish	High density particle board laminated with simulated wood grain vinyl.	

NOTE: THE GRILLES ON ALL SPEAKERS CANNOT BE REMOVED.

Notes:

1. Kenwood follows a policy of continuous advancements in development. For this reason, specifications may be changed without notice.
2. Full performance may not be exhibited in extremely cold locations (below 0 deg. C).



KS-303HT/SW-22HT/25HT


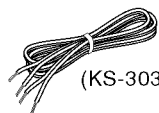

CONTENTS / ACCESSORIES

Contents

SPECIFICATIONS	Top cover	SCHMATIC DIAGRAM	5
CONTENTS / ACCESSORIES	2	EXPLODED VIEW	9
DISASSEMBLY FOR REPAIR.....	2	PARTS LIST.....	10
PC BOARD	3		

There are 3 models' information for repair in this manual. SW-25HT is new model, however, KS-303HT and SW-22HT are circuit change information(revised).

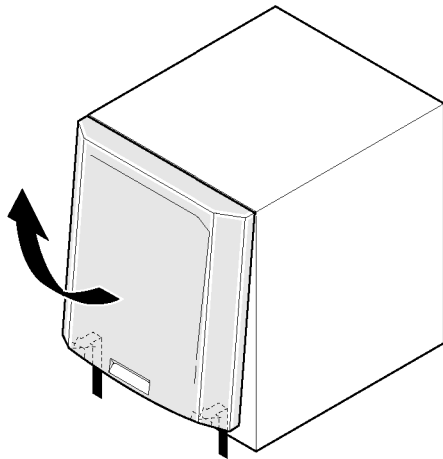
Accessories

<p>Pin-plug cord (1) (E30-5839-08)</p> 	<p>Speaker wires (5) (W01-1088-08)</p> <p>(KS-303HT only)</p> 	<p>Cushions (4) (G13-1141-08)</p> <p>(KS-303HT and SW-22HT)</p> 
--	---	---

DISASSEMBLY FOR REPAIR

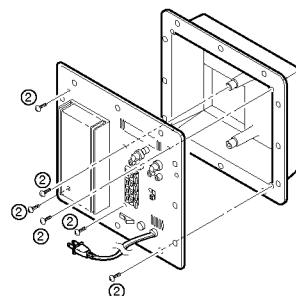
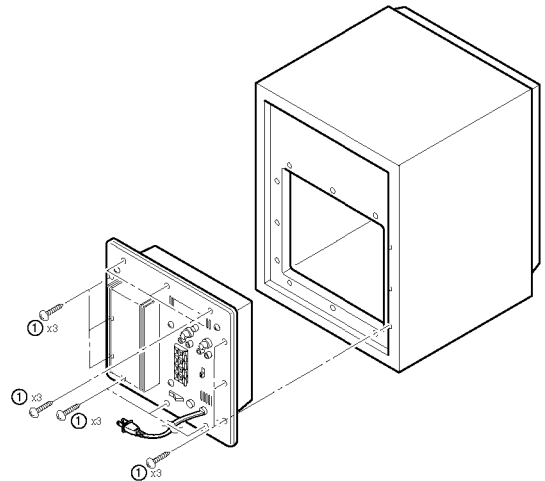
How to Remove the Grille Ass'y

1. You need to remove the grille ass'y if replace the sub-woofer.
2. Insert the screw driver to the gaps of the grille ass'y and lift it up.



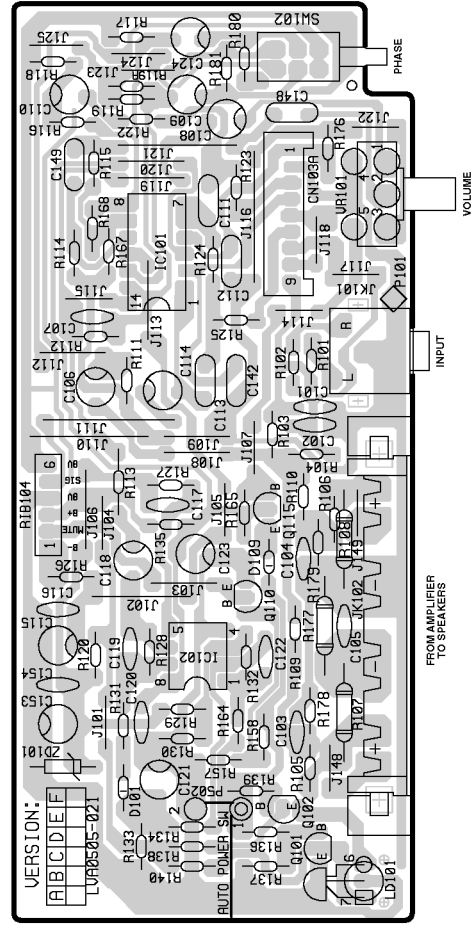
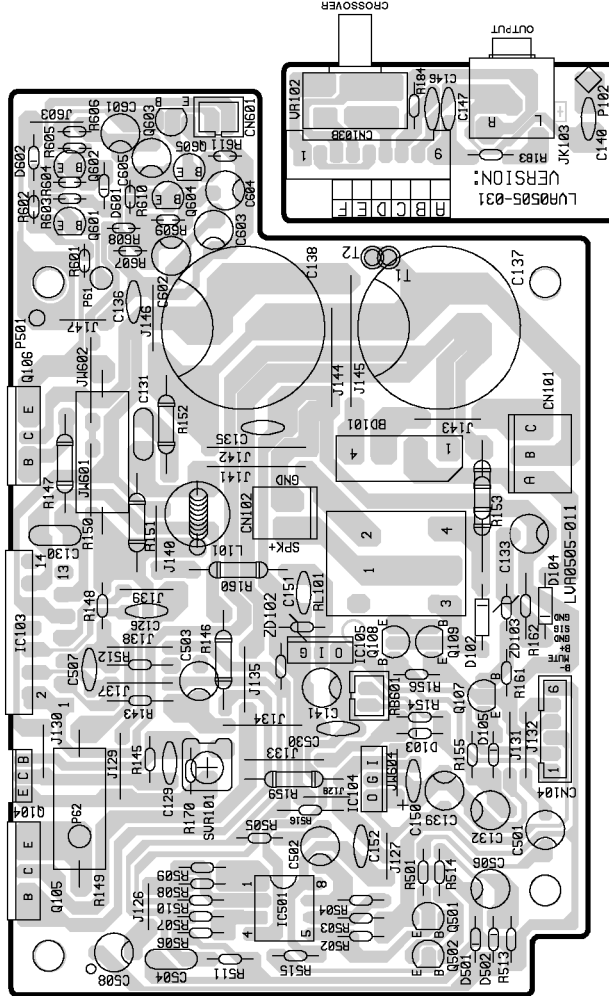
How to Remove the Amplifier

1. Remove screws fixed the rear panel to the enclosure.
2. Remove screws fixed the rear panel to the amplifier cover.

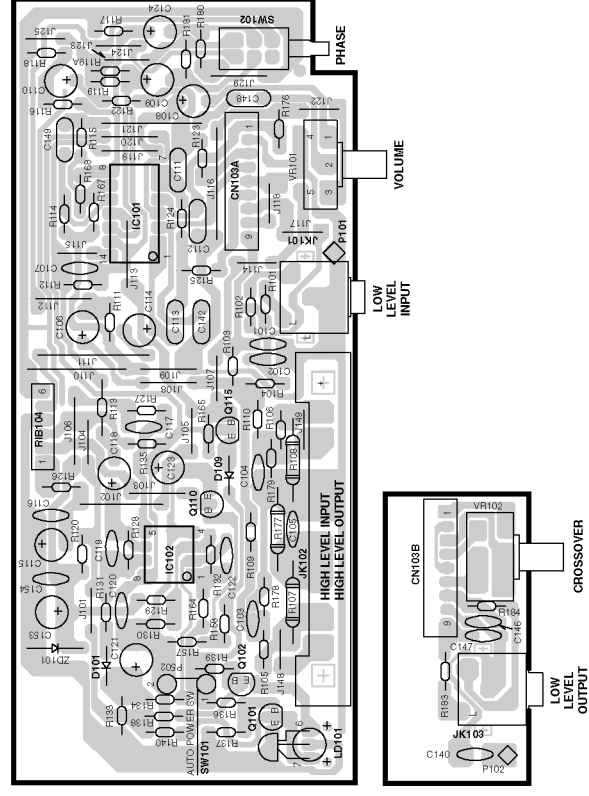
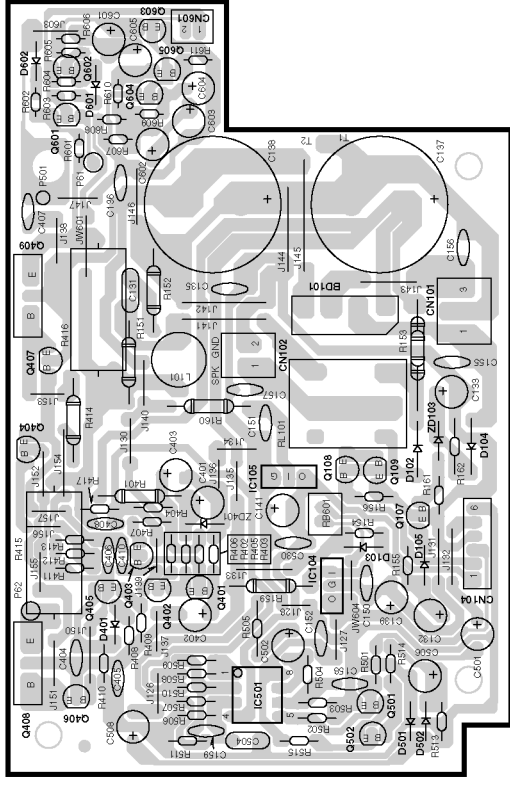


PC BOARD(Component side view)

POWER IC TYPE



POWER TRANSISTOR TYPE



1

2

3

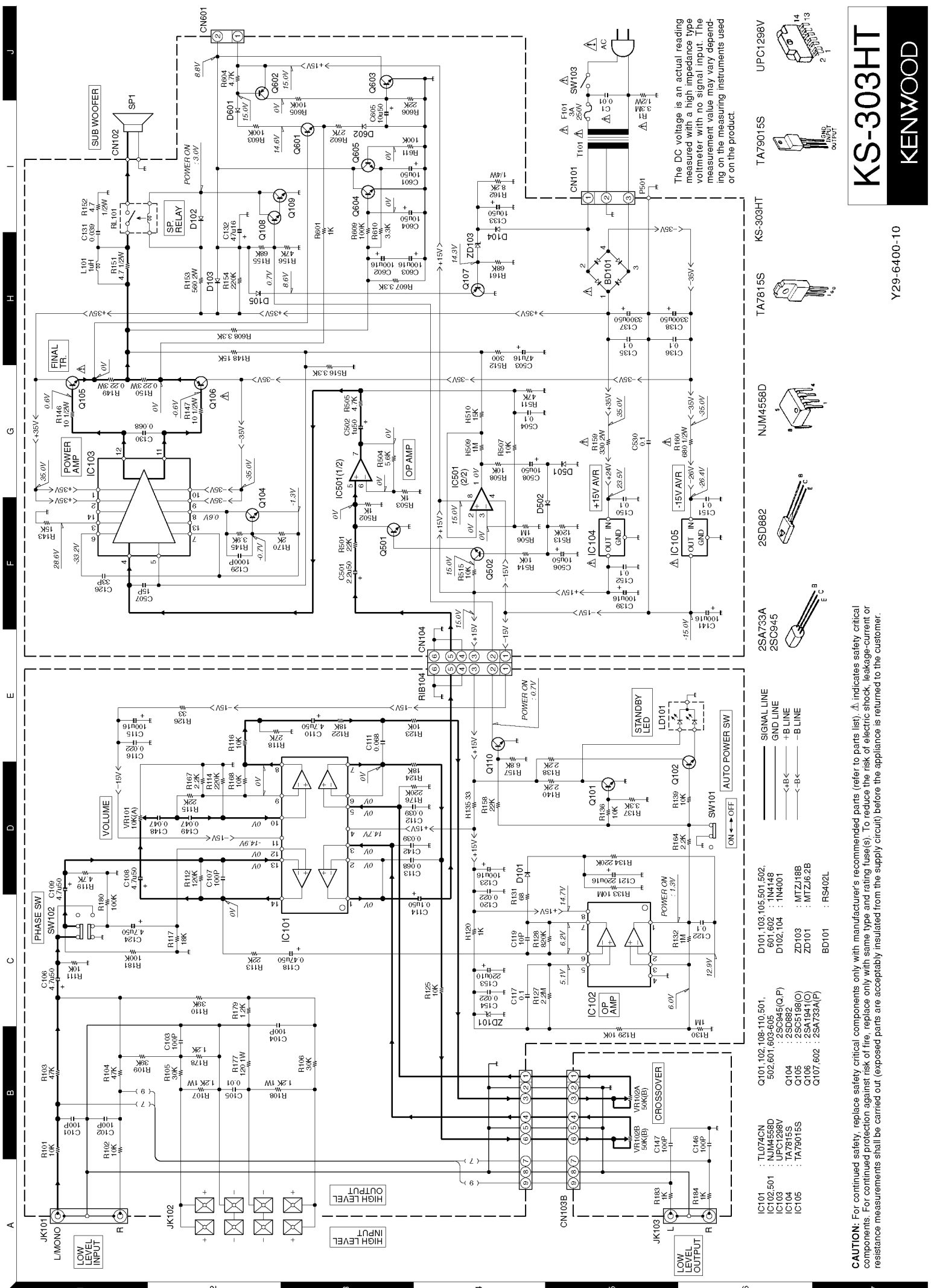
4

5

6

7

Refer to the schematic diagram for the value of resistors and capacitors.



The DC voltage is an actual reading measured with a high impedance type voltmeter with no signal input. The measurement value may vary depending on the measuring instruments used or on the product.

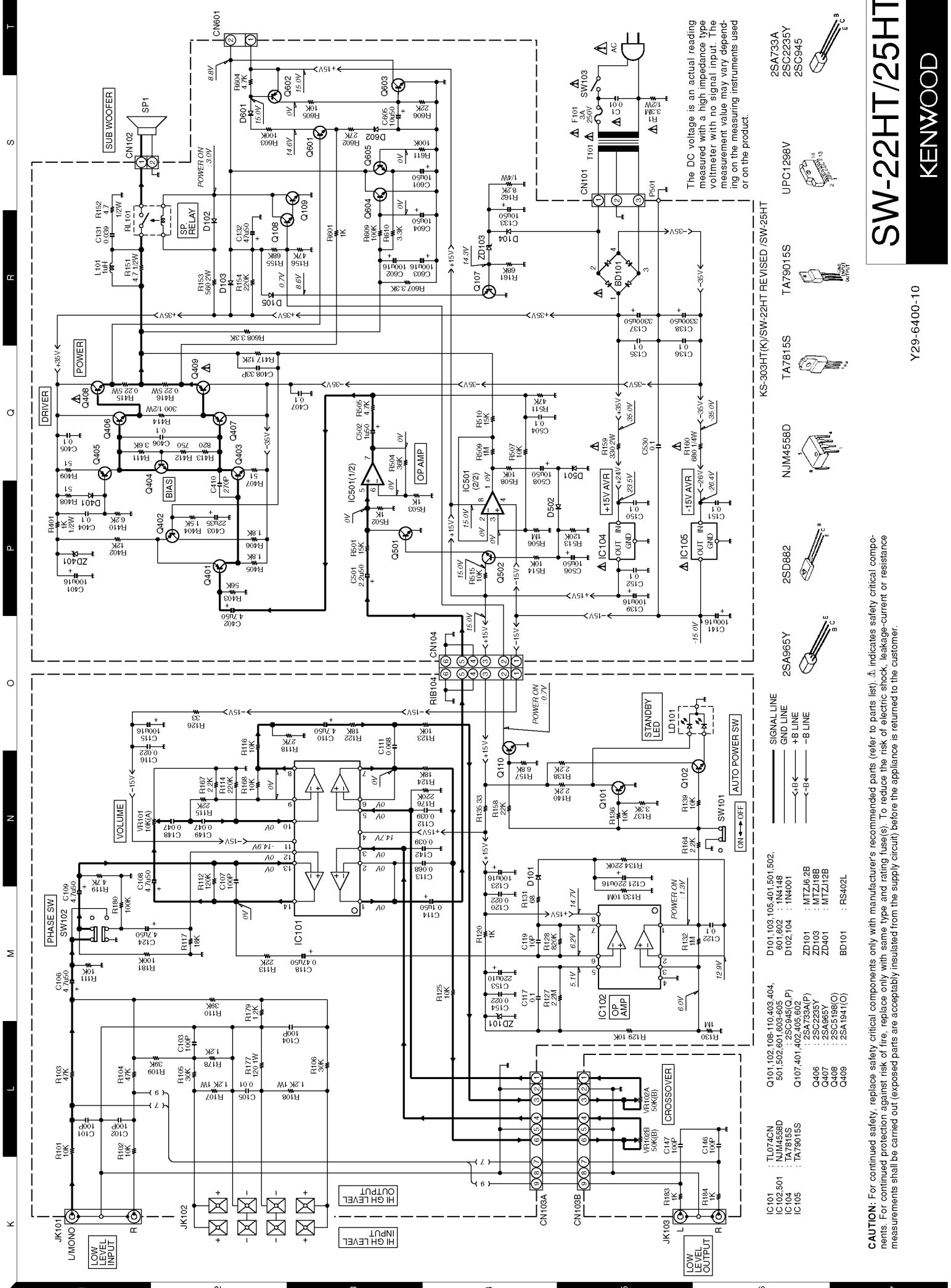
KS-303HT
KENWOOD

Y29-6400-10

- IC101 : TL074CN
- IC102 : NUM4558D
- IC103 : UPC1298V
- IC104 : TA7815S
- IC105 : TA79015S
- Q101 : 2SD882
- Q102 : 2SC945
- Q103 : 2SA733A
- Q104 : 2SC945
- Q105 : 2SC5198(O)
- Q106 : 2SA1941(O)
- Q107 : 2SA733A(P)
- Q108 : 2SA733A(P)
- Q109 : 2SA733A(P)
- Q110 : 2SA733A(P)
- Q111 : 2SA733A(P)
- Q112 : 2SA733A(P)
- Q113 : 2SA733A(P)
- Q114 : 2SA733A(P)
- Q115 : 2SA733A(P)
- Q116 : 2SA733A(P)
- Q117 : 2SA733A(P)
- Q118 : 2SA733A(P)
- Q119 : 2SA733A(P)
- Q120 : 2SA733A(P)
- Q121 : 2SA733A(P)
- Q122 : 2SA733A(P)
- Q123 : 2SA733A(P)
- Q124 : 2SA733A(P)
- Q125 : 2SA733A(P)
- Q126 : 2SA733A(P)
- Q127 : 2SA733A(P)
- Q128 : 2SA733A(P)
- Q129 : 2SA733A(P)
- Q130 : 2SA733A(P)
- Q131 : 2SA733A(P)
- Q132 : 2SA733A(P)
- Q133 : 2SA733A(P)
- Q134 : 2SA733A(P)
- Q135 : 2SA733A(P)
- Q136 : 2SA733A(P)
- Q137 : 2SA733A(P)
- Q138 : 2SA733A(P)
- Q139 : 2SA733A(P)
- Q140 : 2SA733A(P)
- Q141 : 2SA733A(P)
- Q142 : 2SA733A(P)
- Q143 : 2SA733A(P)
- Q144 : 2SA733A(P)
- Q145 : 2SA733A(P)
- Q146 : 2SA733A(P)
- Q147 : 2SA733A(P)
- Q148 : 2SA733A(P)
- Q149 : 2SA733A(P)
- Q150 : 2SA733A(P)
- Q151 : 2SA733A(P)
- Q152 : 2SA733A(P)
- Q153 : 2SA733A(P)
- Q154 : 2SA733A(P)
- Q155 : 2SA733A(P)
- Q156 : 2SA733A(P)
- Q157 : 2SA733A(P)
- Q158 : 2SA733A(P)
- Q159 : 2SA733A(P)
- Q160 : 2SA733A(P)
- Q161 : 2SA733A(P)
- Q162 : 2SA733A(P)
- Q163 : 2SA733A(P)
- Q164 : 2SA733A(P)
- Q165 : 2SA733A(P)
- Q166 : 2SA733A(P)
- Q167 : 2SA733A(P)
- Q168 : 2SA733A(P)
- Q169 : 2SA733A(P)
- Q170 : 2SA733A(P)
- Q171 : 2SA733A(P)
- Q172 : 2SA733A(P)
- Q173 : 2SA733A(P)
- Q174 : 2SA733A(P)
- Q175 : 2SA733A(P)
- Q176 : 2SA733A(P)
- Q177 : 2SA733A(P)
- Q178 : 2SA733A(P)
- Q179 : 2SA733A(P)
- Q180 : 2SA733A(P)
- Q181 : 2SA733A(P)
- Q182 : 2SA733A(P)
- Q183 : 2SA733A(P)
- Q184 : 2SA733A(P)
- Q185 : 2SA733A(P)
- Q186 : 2SA733A(P)
- Q187 : 2SA733A(P)
- Q188 : 2SA733A(P)
- Q189 : 2SA733A(P)
- Q190 : 2SA733A(P)
- Q191 : 2SA733A(P)
- Q192 : 2SA733A(P)
- Q193 : 2SA733A(P)
- Q194 : 2SA733A(P)
- Q195 : 2SA733A(P)
- Q196 : 2SA733A(P)
- Q197 : 2SA733A(P)
- Q198 : 2SA733A(P)
- Q199 : 2SA733A(P)
- Q200 : 2SA733A(P)

CAUTION: For continued safety, replace safety critical components only with manufacturer's recommended parts (refer to parts list). Δ indicates safety critical components. For continued protection against risk of fire, replace only with same type and rating fuse(s). To reduce the risk of electric shock, leakage-current or resistance measurements shall be carried out (exposed parts are acceptably insulated from the supply circuit) before the appliance is returned to the customer.

- D101, 102, 108-110, 501, 502, 601, 602 : 1N4148
- D102, 104 : 1N4001
- Q104 : 2SD882
- Q105 : 2SC5198(O)
- Q106 : 2SA1941(O)
- Q107, 602 : 2SA733A(P)
- LD101 : STANDBY LED
- SW101 : AUTO POWER SW
- SW102 : PHASE SW
- SW103 : SUBWOOFER RELAY
- VR101 : VOLUME
- VR102A, VR102B : CROSSOVER
- VR102C : CROSSOVER
- VR102D : CROSSOVER
- VR102E : CROSSOVER
- VR102F : CROSSOVER
- VR102G : CROSSOVER
- VR102H : CROSSOVER
- VR102I : CROSSOVER
- VR102J : CROSSOVER
- VR102K : CROSSOVER
- VR102L : CROSSOVER
- VR102M : CROSSOVER
- VR102N : CROSSOVER
- VR102O : CROSSOVER
- VR102P : CROSSOVER
- VR102Q : CROSSOVER
- VR102R : CROSSOVER
- VR102S : CROSSOVER
- VR102T : CROSSOVER
- VR102U : CROSSOVER
- VR102V : CROSSOVER
- VR102W : CROSSOVER
- VR102X : CROSSOVER
- VR102Y : CROSSOVER
- VR102Z : CROSSOVER
- VR103 : PHASE SW
- VR104 : PHASE SW
- VR105 : PHASE SW
- VR106 : PHASE SW
- VR107 : PHASE SW
- VR108 : PHASE SW
- VR109 : PHASE SW
- VR110 : PHASE SW
- VR111 : PHASE SW
- VR112 : PHASE SW
- VR113 : PHASE SW
- VR114 : PHASE SW
- VR115 : PHASE SW
- VR116 : PHASE SW
- VR117 : PHASE SW
- VR118 : PHASE SW
- VR119 : PHASE SW
- VR120 : PHASE SW
- VR121 : PHASE SW
- VR122 : PHASE SW
- VR123 : PHASE SW
- VR124 : PHASE SW
- VR125 : PHASE SW
- VR126 : PHASE SW
- VR127 : PHASE SW
- VR128 : PHASE SW
- VR129 : PHASE SW
- VR130 : PHASE SW
- VR131 : PHASE SW
- VR132 : PHASE SW
- VR133 : PHASE SW
- VR134 : PHASE SW
- VR135 : PHASE SW
- VR136 : PHASE SW
- VR137 : PHASE SW
- VR138 : PHASE SW
- VR139 : PHASE SW
- VR140 : PHASE SW
- VR141 : PHASE SW
- VR142 : PHASE SW
- VR143 : PHASE SW
- VR144 : PHASE SW
- VR145 : PHASE SW
- VR146 : PHASE SW
- VR147 : PHASE SW
- VR148 : PHASE SW
- VR149 : PHASE SW
- VR150 : PHASE SW
- VR151 : PHASE SW
- VR152 : PHASE SW
- VR153 : PHASE SW
- VR154 : PHASE SW
- VR155 : PHASE SW
- VR156 : PHASE SW
- VR157 : PHASE SW
- VR158 : PHASE SW
- VR159 : PHASE SW
- VR160 : PHASE SW
- VR161 : PHASE SW
- VR162 : PHASE SW
- VR163 : PHASE SW
- VR164 : PHASE SW
- VR165 : PHASE SW
- VR166 : PHASE SW
- VR167 : PHASE SW
- VR168 : PHASE SW
- VR169 : PHASE SW
- VR170 : PHASE SW
- VR171 : PHASE SW
- VR172 : PHASE SW
- VR173 : PHASE SW
- VR174 : PHASE SW
- VR175 : PHASE SW
- VR176 : PHASE SW
- VR177 : PHASE SW
- VR178 : PHASE SW
- VR179 : PHASE SW
- VR180 : PHASE SW
- VR181 : PHASE SW
- VR182 : PHASE SW
- VR183 : PHASE SW
- VR184 : PHASE SW
- VR185 : PHASE SW
- VR186 : PHASE SW
- VR187 : PHASE SW
- VR188 : PHASE SW
- VR189 : PHASE SW
- VR190 : PHASE SW
- VR191 : PHASE SW
- VR192 : PHASE SW
- VR193 : PHASE SW
- VR194 : PHASE SW
- VR195 : PHASE SW
- VR196 : PHASE SW
- VR197 : PHASE SW
- VR198 : PHASE SW
- VR199 : PHASE SW
- VR200 : PHASE SW



The DC voltage is an actual reading measured with a high impedance type voltmeter with no signal input. The measurement value may vary depending on the measuring instruments used or on the product.

- | | | | | | | | | | | | |
|------------|------------|------|------------------------------|--------------------------------|---------------|----------|----------|----------|----------|----------|--------|
| IC101 | : TL074CN | Q101 | : 102-108-110, 403, 404, | D101, 105, 105, 401, 501, 502, | 2SA733A | TA79015S | TA79015S | TA79015S | TA79015S | UPC1298V | 2SC945 |
| IC102, 501 | : NJM4558D | Q102 | : 501, 502, 603, 605, (Q, P) | 501, 502, 603, 605, (Q, P) | 2SC2235Y | TA7815S | TA7815S | TA7815S | TA7815S | 2SC945 | 2SC945 |
| IC103 | : TA7815S | Q103 | : Q107, 401, 402, 405, 602 | D102, 104 | 2SC945 | 2SA965Y | 2SA965Y | 2SA965Y | 2SA965Y | 2SC945 | 2SC945 |
| IC104 | : TA79015S | Q104 | : Q107, 401, 402, 405, 602 | D102, 104 | 2SC945 | 2SA965Y | 2SA965Y | 2SA965Y | 2SA965Y | 2SC945 | 2SC945 |
| | | Q105 | : 2SA733A(F) | ZD101 | : 2SA733A(F) | 2SA965Y | 2SA965Y | 2SA965Y | 2SA965Y | 2SC945 | 2SC945 |
| | | Q106 | : 2SC2235Y | ZD103 | : 2SC2235Y | 2SA965Y | 2SA965Y | 2SA965Y | 2SA965Y | 2SC945 | 2SC945 |
| | | Q107 | : 2SC5199E(O) | ZD401 | : 2SC5199E(O) | 2SA965Y | 2SA965Y | 2SA965Y | 2SA965Y | 2SC945 | 2SC945 |
| | | Q108 | : 2SA1941(O) | ZD402 | : 2SA1941(O) | 2SA965Y | 2SA965Y | 2SA965Y | 2SA965Y | 2SC945 | 2SC945 |
| | | Q109 | : RS402L | BD101 | : RS402L | 2SA965Y | 2SA965Y | 2SA965Y | 2SA965Y | 2SC945 | 2SC945 |

CAUTION: For continued safety, replace safety critical components only with manufacturer's recommended parts (refer to parts list). Δ indicates safety critical components. For continued protection against risk of fire, replace only with same type and rating fuse(s). To reduce the risk of electric shock, leakage-current or resistance measurements shall be carried out (exposed parts are acceptably insulated from the supply circuit) before the appliance is returned to the customer.

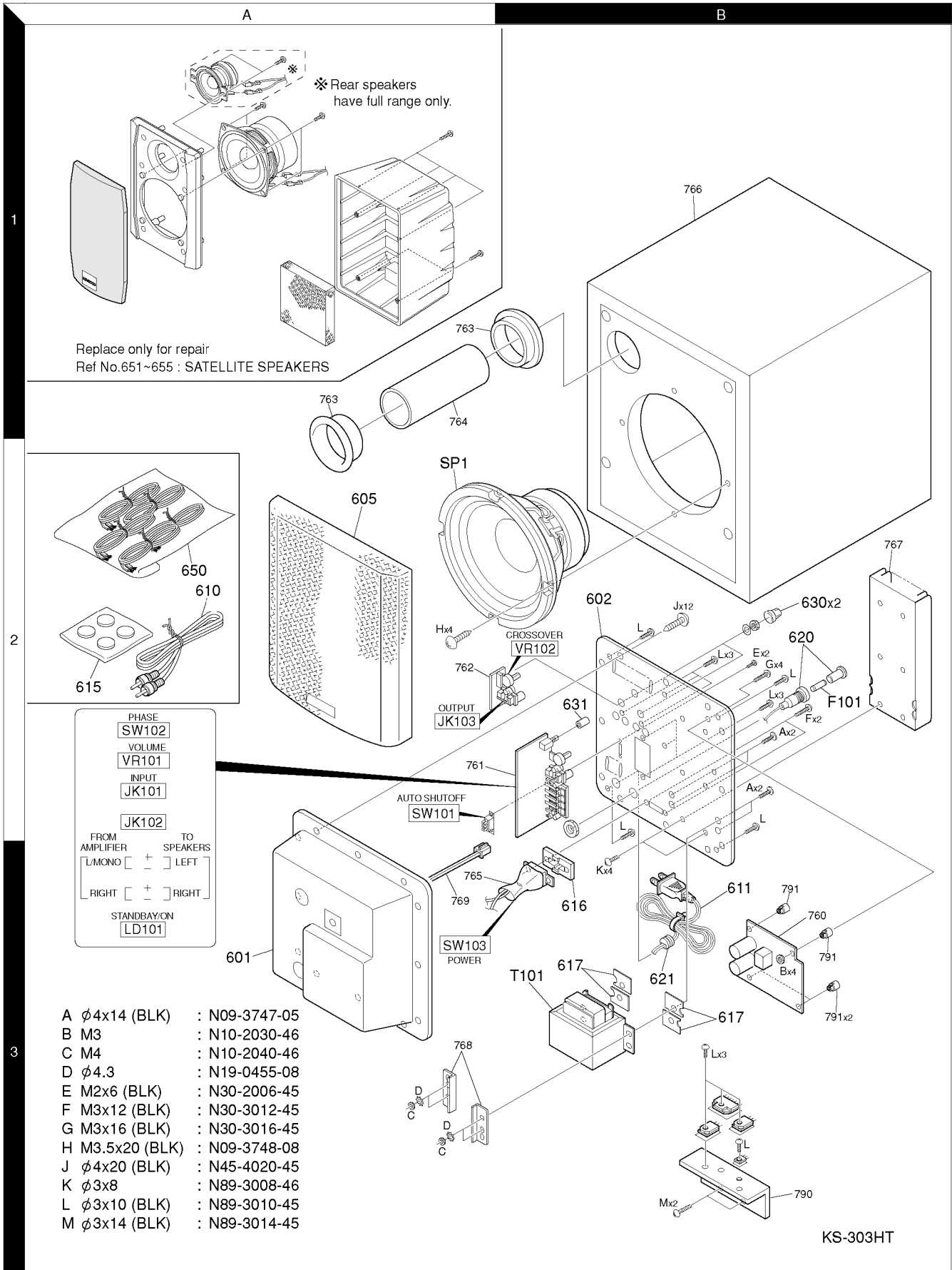
SW-22HT/25HT

KENWOOD

Y29-6400-10

KS-303HT/SW-22HT/25HT

EXPLODED VIEW (UNIT)



KS-303HT/SW-22HT/25HT

PARTS LIST

* New Parts
Parts without **Parts No.** are not supplied.
Les articles non mentionnés dans le **Parts No.** ne sont pas fournis.
Teile ohne **Parts No.** werden nicht geliefert.

Ref. No	Add-ress	New Parts	Parts No.	Description	Desti-nation	Re-marks
C101-104			CK45FB1H101K	CERAMIC		
C105			CK45FB1H103Z	CERAMIC	K	
C106			CE04KW1H4R7M	ELECTRO	Z	50WV
C107			CK45FB1H101K	CERAMIC	K	50WV
C108-110			CE04KW1H4R7M	ELECTRO	Z	50WV
C111			CQ92FM2A683J	MYLAR	J	
C112			CQ92FM2A393J	MYLAR	J	
C113			CQ92FM2A683J	MYLAR	J	
C114			CE04KW1H0R1M	ELECTRO	J	50WV
C115			CE04KW1C101M	ELECTRO	J	16WV
C116			CK45FB1H223Z	CERAMIC	Z	
C117			CK45FB1H104Z	CERAMIC	Z	50WV
C118			CE04KW1HR47M	ELECTRO	Z	50WV
C119			CE04FSL1H100D	CERAMIC	D	
C120			CK45FB1H223Z	CERAMIC	Z	
C121			CE04KW1C221M	ELECTRO	Z	16WV
C122			CK45FB1H104Z	CERAMIC	Z	16WV
C123			CE04KW1C101M	ELECTRO	Z	16WV
C124			CE04KW1H4R7M	ELECTRO	Z	50WV
C126			CE04FSL1H330J	CERAMIC	J	
C129			CK45FB1H102K	CERAMIC	K	
C130			CQ92FM2A683J	MYLAR	J	
C131			CQ92FM2A393J	MYLAR	J	
C132			CE04KW1C470M	ELECTRO	J	16WV
C132			CE04KW1H470M	ELECTRO	J	50WV
C133			CE04KW1H100M	ELECTRO	Z	50WV
C135,136			CK45FB1H104Z	CERAMIC	Z	50WV
C137,138			CE04KW1H332M	ELECTRO	Z	50WV
C139			CE04KW1C101M	ELECTRO	Z	16WV
C141			CE04KW1C101M	ELECTRO	Z	16WV
C142			CQ92FM2A393J	MYLAR	J	
C145,147			CK45FB1H101K	CERAMIC	K	
C148,149			CQ92FM2A473J	MYLAR	J	
C150-152			CK45FB1H104Z	CERAMIC	Z	
C153			CE04KW1A221M	ELECTRO	Z	10WV
C154			CK45FB1H223Z	CERAMIC	Z	0.022UF
C401			CE04KW1C101M	ELECTRO	Z	16WV
C402			CE04KW1H4R7M	ELECTRO	Z	4.7UF
C403			CE04KW1V220M	ELECTRO	Z	22UF
C404-407			CK45FB1H104Z	CERAMIC	Z	0.10UF
C408			CE04FSL1H330J	CERAMIC	J	33PF
C410			CE04FSL1H271J	CERAMIC	J	270PF
C501			CE04KW1H2R2M	ELECTRO	Z	2.2UF
C502			CE04KW1H010M	ELECTRO	Z	1.0UF
C503			CE04KW1C470M	ELECTRO	Z	47UF
C504			CQ92FM2A104J	MYLAR	J	0.10UF
C505			CE04KW1H100M	ELECTRO	J	10UF
C507			CE04FSL1H150J	CERAMIC	J	15PF
C508			CE04KW1H100M	ELECTRO	J	10UF
C530			CK45FB1H104Z	CERAMIC	Z	0.10UF
C601			CE04KW1H100M	ELECTRO	Z	10UF
C602,603			CE04KW1C101M	ELECTRO	Z	10UF
C604,605			CE04KW1H100M	ELECTRO	Z	10UF
JK101	2A	*	E63-0213-08	PCA JACK		CTP0005-002
JK102	2A	*	E70-0204-08	SPK JACK		CTP0004-002

L: Scandinavia K: USA P: Canada R: Mexico C: China I: Malaysia
 Y: AAFES(Europe) T: England E: Europe G: Germany V: China(Shanghai)
 X: Australia O: Russia H: Korea M: Other Areas Δ indicates safety critical components.

* New Parts
Parts without **Parts No.** are not supplied.
Les articles non mentionnés dans le **Parts No.** ne sont pas fournis.
Teile ohne **Parts No.** werden nicht geliefert.

Ref. No	Add-ress	New Parts	Parts No.	Description	Desti-nation	Re-marks
KS-303HT;3 / SW-22HT;2 / SW-25HT;5						
601	3A	*	A02-2535-08	COVER, REAR PLT, BPA0025-000		
602	2B	*	A23-5514-08	REAR PLATE GAL0071-014	5	
602	2B	*	A23-5503-08	REAR PLATE GAL0071-010	3	
602	2B	*	A23-5504-08	REAR PLATE GAL0071-013	2	
605	2A	*	B06-1481-08	GRILLE ASSY		
-	-	*	B46-0328-03	WARRANTY CARD YWC0004C001	K	
-	-	*	B46-0347-03	WARRANTY CARD	P	
-	-	*	B61-1062-00	INSTRUCTION	3	
-	-	*	B61-1069-00	INSTRUCTION	2	
-	-	*	B61-1118-00	INSTRUCTION YOM0082C001	5	
C1		*	C91-0647-05	CERAMIC 0.010UF P		
610	2A	*	E30-5839-08	AUDIO CORD		
611	3B	*	E30-5857-08	LINE CORD 47455-D65		
F101	2B	*	F50-0169-08	FUSE,3A,250V KSA2300-101	23	
615	2A	*	G13-1141-08	CUSHION		
616	3B	*	G16-0207-08	RUBBER,BLK,HARD,BRF0007-001		
617	3B	*	G16-0208-08	RUBBER,SW200 ICU0007-002		
-	-	*	H10-8168-08	POLYSTYRENE FOAM WOOFER		
-	-	*	H10-8170-08	POLYSTYRENE FOAM SATELLITE(TOP)		
-	-	*	H10-8171-08	POLYSTYRENE FOAM SATELLITE(BTM)		
-	-	*	H25-2266-08	PROTECTION BAG WOOFER		
-	-	*	H25-2287-08	PROTECTION BAG WOOFER		
-	-	*	H25-2287-08	PROTECTION BAG ACCESSORY		
-	-	*	H25-2294-08	PROTECTION BAG SATELLITE		
-	-	*	H51-1481-08	ITEM CARTON CASE,SATELLITE		
-	-	*	H51-1482-08	ITEM CARTON CASE,WOOFER		
-	-	*	H51-1499-08	ITEM CARTON CASE,WOOFER		
-	-	*	H51-1696-08	ITEM CARTON CASE,ICC0228-004		
620	2B	*	J13-0212-08	FUSE HOLDER DFH1229-001		
621	3B	*	J42-0243-08	AC LINE BUSH DBU3050-010		
630	2B	*	K23-0540-08	KNOB,BLK BRK5018-003		
631	2B	*	K23-0541-08	PUSH KNOB,BLK BRK8015-002		
T101	3B	*	L07-3027-08	POWER TRANSFORM,TT1H201-004		
D		*	N19-0455-08	WASHER,4.3 HWT8540-110		
H		*	N09-3748-08	SCREW,M3.5X20,BLK,H011103-320		
R1		*	R92-1844-05	CARBON 3.3M J 1/2W		
SW101	2A	*	S62-0213-08	SW SLIDE MSS9477-034		
SW103	3B	*	S66-0204-08	SW ROCKER MSV0001-004		
SP1	2A	*	T10-0953-05	SPK DRIVER FDW6080-312		
650	2A	*	W01-1088-08	SPK CORD ASSY	3	
651	1A	*	X20-2500-10	SATELLITE SP CENTER		
652	1A	*	X20-2490-11	SATELLITE SP FRONT,L	3	
653	1A	*	X20-2490-10	SATELLITE SP FRONT,R	3	
654	1A	*	X20-2510-11	SATELLITE SP REAR,L	3	
655	1A	*	X20-2510-10	SATELLITE SP REAR,R	3	
ELECTRICAL PARTS (IC:Power Pack type / PT:Power Transistor type)						
LD101	3A	*	B30-1832-08	LED KEM0001-001		

L: Scandinavia K: USA P: Canada R: Mexico C: China I: Malaysia
 Y: AAFES(Europe) T: England E: Europe G: Germany V: China(Shanghai)
 X: Australia O: Russia H: Korea M: Other Areas Δ indicates safety critical components.

KS-303HT/SW-22HT/25HT

PARTS LIST

* New Parts
 Parts without **Parts No.** are not supplied.
 Les articles non mentionnés dans le **Parts No.** ne sont pas fournis.
 Teile ohne **Parts No.** werden nicht geliefert.

③

Ref. No	Add-ress	New Parts	Parts No.	Description	Desti-nation	Re-marks
JK103	2A	*	E63-0213-08	RCA JACK		
L101		*	L90-0403-08	COIL 1UH		
R107,108			RS14GB3A122J	FL-PROOF RS		1W
R146,147			RD14BB2H100J	RD		1/2W
R149,150			R92-2330-08	FL-PROOF RS		3W
R151,152		*	RD14BB2H4R7J	RD		1/2W
R153			RS14GB3D561J	FL-PROOF RS		2W
R159		Δ	RS14GB3D331J	FL-PROOF RS		2W
R160		Δ	RD14BB2E681J	RD		1/4W
R160		Δ	RD14BB2H681J	RD		1/2W
R177			RS14GB3A121J	FL-PROOF RS		1W
R401			RD14BB2H102J	RD		1/2W
R414			R92-2361-05	FUSE R		300
R415,416			R92-2360-05	CEMENT		0.22
VR101	2A	*	R31-0418-08	CNTL ROTARY		MRR0103-002
VR102	2B	*	R31-0419-08	CNTL ROTARY		MRR0503-012
RL101		*	S76-0208-08	RELAY		MRL2212-005
SW102	2A	*	S68-0206-08	SW PUSH		MSP0001-006
BD101		Δ	FS402L	DIODE		
D101			1N4148	DIODE		
D102			1N4001	DIODE		
D103			1N4148	DIODE		
D104			1N4001	DIODE		
D105			1N4148	DIODE		
D401			1N4148	DIODE		
D501,502			1N4148	DIODE		
D601,602			1N4148	DIODE		
IC101		*	TL074CN	IC		PT
IC102			NJM4558D	IC(OP AMP X2)		
IC103			UPC1298V	IC(POWER AMP DRIVER)		
IC104			TA7815S	IC(VOLTAGE REGULATOR/ +15V)		
IC105			TA79015S	IC(VOLTAGE REGULATOR/ -15V)		
IC501		Δ	NJM4558D	IC(OP AMP X2)		IC
Q101,102			2SC945(Q,P)	TRANSISTOR		IC
Q104			2SD882	TRANSISTOR		IC
Q105		Δ	2SC168(O)	TRANSISTOR		IC
Q106		Δ	2SA1941(O)	TRANSISTOR		IC
Q107			2SA733A(P)	TRANSISTOR		
Q108-110			2SC945(Q,P)	TRANSISTOR		PT
Q401,402			2SA733A(P)	TRANSISTOR		PT
Q403,404			2SC945(Q,P)	TRANSISTOR		PT
Q405			2SA733A(P)	TRANSISTOR		PT
Q406			2SC2235Y	TRANSISTOR		PT
Q407		Δ	2SA965Y	TRANSISTOR		PT
Q408		Δ	2SC5198(O)	TRANSISTOR		PT
Q409			2SA1941(O)	TRANSISTOR		PT
Q501,502			2SC945(Q,P)	TRANSISTOR		PT
Q601			2SC945(Q,P)	TRANSISTOR		
Q602			2SA733A(P)	TRANSISTOR		
Q603-605			2SC945(Q,P)	TRANSISTOR		
ZD101			MTZJ6.2B	ZENER DIODE		
ZD103			MTZJ18B	ZENER DIODE		
ZD401			MTZJ12B	ZENER DIODE		PT

L : Scandinavia
 Y : PX(Far East,Hawaii)
 V : AA(FES/Europe)

K : USA
 T : England
 X : Australia

P : Canada
 E : Europe
 Q : Russia

R : Mexico
 G : Germany
 H : Korea

C : China
 V : China(Shanghai)
 M : Other Areas

I : Malaysia

Δ indicates safety critical components.

KS-303HT/SW-22HT/25HT

KENWOOD CORPORATION

14-6,Dogenzaka 1-chome, Shibuya-ku, Tokyo, 150-8501 Japan

KENWOOD SERVICE CORPORATION

P.O BOX 22745, 2201 East Dominguez St., Long Beach, CA 90801-5745, U.S.A.

KENWOOD ELECTRONICS CANADA INC.

6070 Kestrel Road, Mississauga, Ontario, Canada L5T 1S8

KENWOOD ELECTRONICS LATIN AMERICA S.A.

P.O BOX 55-2791, Piso 6 plaza Chase, Cl. 47 y Aquilino de la Guardia Panama, Republic de Panama

KENWOOD ELECTRONICS BRASIL LTDA.

Av. Moema, 170-17", Andar-Cobertura "B", Ed. Maximum Service Center, 04077-020 Moema, São Paulo-SP-Brasil

KENWOOD ELECTRONICS U.K. LIMITED

KENWOOD House, Dwight Road, Watford, Herts., WD1 8EB., United Kingdom

KENWOOD ELECTRONICS BELGUM N.V.

Meachelsesteenweg 418, B-1930 Zaventem, Belgium

KENWOOD ELECTRONICS DEUTSCHLAND GMBH

Rembrücker Str. 15, 63150 Heusenstamm, Germany

KENWOOD ELECTRONICS FRANCE S.A.

13 Boulevard Ney, 75018 Paris, France

KENWOOD ELECTRONICS ITALIA S.p.A.

Via G. Sirtori, 7/9 20129, Milano, Italy

KENWOOD IBÉRICA S.A.

Bolivia, 239-08020 Barcelona, Spain

KENWOOD ELECTRONICS AUSTRALIA PTY. LTD.

(A.C.N. 001 499 074)
16 Giffnock Avenue, North Ryde, N.S.W. 2113, Australia

KENWOOD ELECTRONICS (HONG KONG) LTD.

Unit 3712-3724, Level 37, Tower 1, Metroplaza, 223 Hing Fong Road, Kwai Fong N.T., Hong Kong

KENWOOD ELECTRONICS GULF FZE

P.O.Box 61318, Jebel Ali, Dubai, U.A.E.

KENWOOD ELECTRONICS SINGAPORE PTE LTD.

No. 1 Genting Lane #02-02, KENWOOD Building, Singapore, 349544

KENWOOD ELECTRONICS (MALAYSIA) SDN BHD.

#4.01 Level 4, Wisma Academy Lot 4A, Jalan 19/1 46300 Petaling Jaya Selangor Darul Ehsan Malaysia

KENWOOD ELECTRONICS (THAILAND) CO., LTD.

2019 New Pechburi Road, Bangkapi, Huaykwang, Bangkok, 10320 Thailand