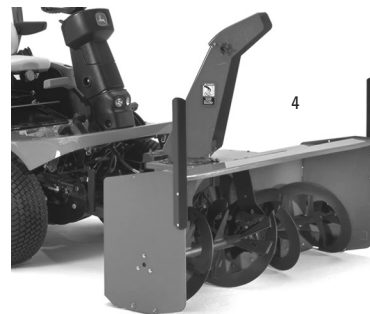
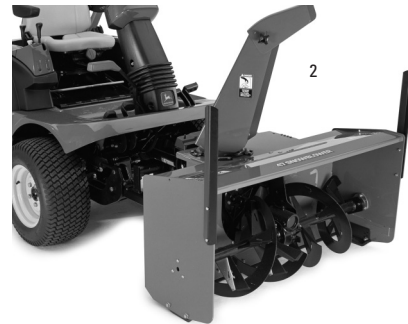
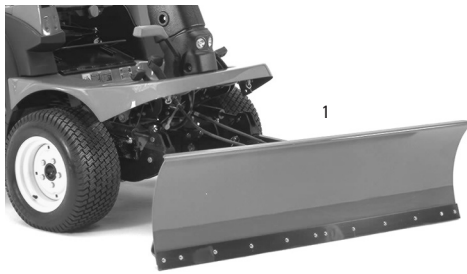


# FRONT BLADE, SNOW BLOWER, AND ROTARY BROOM FOR FRONT MOWERS



## FEATURES

### 1) 60-IN. FRONT BLADE:

- Heavy-gauge steel construction; concave surface for good rolling action and efficient use of tractor horsepower
- Blade has reinforcing angle behind front edge for strength and durability.
- Large coil "breakaway" springs allow bottom of blade to be pushed back if solid object is struck.
- Easy-on and easy-off; no tools required.
- Blade angle is controlled from operator's seat.
- Adjustable skid shoes prevent wear to cutting edge.
- Fits all John Deere 1400 and 1500 Series Front Mowers.

### 2) 47-IN. HEAVY-DUTY SNOW BLOWER:

- Two-stage design with low-speed auger and high-speed discharge blower removes snow more efficiently.
- Shear-bolt-protected auger and drive system.
- 16-inch diameter auger with sealed ball bearings.
- Worm-gear drive with durable cast-iron housing.
- Snowblower rides on a hydraulically controlled transport wheel for easy movement; retracts automatically when unit is lowered to the ground.

- Reversible, replaceable cutting edge.
- With hydraulic kit, chute can be angled hydraulically (up to 20 degrees).
- Telescoping U-jointed driveshaft for easier hook-up.
- Three-position skid shoes.
- Drift knife.
- Adjustable discharge chute.
- Fits all John Deere 1400 and 1500 Series Front Mowers.
- 23x8.5 tires are recommended for use with this implement.

### 3) 60-IN. HEAVY-DUTY ROTARY BROOM:

- Broad 60-inch working width, 24-inch diameter for good cleaning and long life.
- 32 alternating wafers of polypropylene and steel bristles provide flicking action for more thorough cleaning.
- Mechanical drive; 5-way angling, straight ahead to 15 to 30 degrees left or right, hydraulic-angling kit available.
- Hinge and spring on gearbox hood-shield for protection and easy access to PTO shafts.

- Side-shield for the sprocket and chain drive holds front Quik-Tatch stand (an exclusive John Deere feature).
- Hood deflector (a John Deere exclusive) helps keep debris ahead of broom and deflect thrown objects to the ground.
- Fits all John Deere 1400 and 1500 Series Front Mowers.

### 4) 59-IN. SNOW BLOWER:

- Snow blower can be installed and removed in minutes.
- Standard drift knife cuts through deep drifts and provides a clean-cut snowbank.
- Hydraulic chute angling allows operator to change direction of snow blowing with ease.
- Driven by a live PTO, snow blower continues to operate at full speed even when changing traction ground speed.
- Two-stage design of auger and high-speed blower provide aggressive snow-biting action through heavy or packed snow. Greater capacity than single-stage snow blower.
- Adjustable deflector changes height and distance that snow can be blown.
- Fits all John Deere 1400 and 1500 Series Front Mowers.

# SPECIFICATIONS

## Front Blade, Snow Blower and Rotary Broom

### 47-IN. HEAVY-DUTY SNOW BLOWER:

Cutting Width	47 in. (1.19 m)
Overall Cutting Height	23 in. (584 mm)
Auger and Rotor Fan Diameter	16 in. (406 mm)
Chute Rotation	200 degrees, hydraulic
Lift System	Traction-unit hydraulics
Impeller Speed	881 rpm
Drive System	Telescoping U-jointed driveshaft to heavy-duty, cast-iron gearcase
Cutting Blade	Reversible, replaceable
Skid Shoes	3-position, adjustable
Net Weight (Approx.)	460 lb. (209 kg)

NOTE: Ballast may be required on some models. See John Deere Operator's Manual for required ballasting.

### 60-IN. ROTARY BROOM:

Construction	Steel with hood debris deflector; hinge and spring on gearbox hoodshield for easy access to PTO shaft
Working Width	5 ft. (1.5 m)
Brush	2-ft. (588 mm) diameter, 32 alternating wafers of polypropylene and steel
Drive System	Mechanical; front PTO, through 3:1 gearbox, to chain and sprocket final drive
Angling	5-way; straight, 15 or 30 degrees left or right, mechanically or hydraulically, with hydraulic kit
Sweeping Width at 30 Deg.	51 in. (1.29 m)
Shipping Weight (Approx.)	400 lb. (182 kg)
Accessories	Replacement wafers, steel or polypropylene

NOTE: Ballast may be required on some models. See John Deere Operator's Manual for required ballasting.

### 59-IN. SNOW BLOWER:

Cutting Width	59 in. (1200 mm)
Height of Opening	23 in. (584 mm)
Auger Diameter	16 in. (406 mm)
Impeller Diameter	16 in. (406 mm)
Auger Speed	167 rpm
Impeller Speed	839 rpm
Height to Top of Chute Deflector	53.4 in. (1338 mm)
Chute Control	Hydraulic
Chute Rotation	180 degrees
Lift System	Traction unit hydraulics
Implement Attaching Time	4 minutes or less
Implement Removal Time	3 minutes or less
Weight (Approximate)	450 lb. (114.3 kg)

NOTE: Ballast may be required on some models. See John Deere Operator's Manual for required ballasting.

### 60-IN. FRONT BLADE:

Overall Width	60 in. (1.372 m)
Overall Height	18 in. (.45 m)
Cutting Width:	
Straight	60 in. (1.49 m)
Blade Fully Angled	52 in. (1.32 m)
Angling Positions:	
Right or Left	0 to 30 degrees
Blade Lift Height	14 in. (356 mm)
Blade Material	7 gauge
Cutting Edge Thickness	¼ in. (6 mm)
Blade Trip	Springs
Blade Lifting and Angling	Hydraulic
Blade Float	Hydraulic
Weight (Approx.)	190 lb. (86 kg)

NOTE: Ballast may be required on some models. See John Deere Operator's Manual for required ballasting.