



Operating Instructions and Parts Manual

Dust Collector

Model: DC-1100A/C/RC



DC-1100A/RC



DC-1100C/RC

WMH TOOL GROUP
2420 Vantage Drive
Elgin, Illinois 60123
Ph.: 800-274-6848
www.wmhtoolgroup.com

Part No. M-708639
Revision G 07/04
Copyright © WMH Tool Group

This manual has been prepared for the owner and operators of JET DC-1100 Series Dust Collectors. Its purpose, aside from machine operation, is to promote safety using accepted operating and maintenance procedures. To obtain maximum life and efficiency from your dust collector and to aid in using it safely, please read this manual thoroughly and follow the instructions carefully.

Warranty and Service

WMH Tool Group warrants every product it sells. If one of our tools needs service or repair, one of our Authorized Repair Stations located throughout the United States can provide quick service or information.

In most cases, a WMH Tool Group Repair Station can assist in authorizing repair work, obtaining parts, or perform routine or major maintenance repair on your JET product.

For the name of an Authorized Repair Station in your area, please call 1-800-274-6848, or visit our web site at www.wmhtoolgroup.com.

More Information

WMH Tool Group is consistently adding new products to the line. For complete, up-to-date product information, check with your local WMH Tool Group distributor, or visit our web site at www.wmhtoolgroup.com

WMH Tool Group Warranty

WMH Tool Group makes every effort to assure that its products meet high quality and durability standards and warrants to the original retail consumer/purchaser of our products that each product be free from defects in materials and workmanship as follows: 1 YEAR LIMITED WARRANTY ON ALL PRODUCTS UNLESS SPECIFIED OTHERWISE. This Warranty does not apply to defects due directly or indirectly to misuse, abuse, negligence or accidents, normal wear-and-tear, repair or alterations outside our facilities, or to a lack of maintenance.

WMH TOOL GROUP LIMITS ALL IMPLIED WARRANTIES TO THE PERIOD SPECIFIED ABOVE, BEGINNING FROM THE DATE THE PRODUCT WAS PURCHASED AT RETAIL. EXCEPT AS STATED HEREIN, ANY IMPLIED WARRANTIES OR MERCHANTABILITY AND FITNESS ARE EXCLUDED. SOME STATES DO NOT ALLOW LIMITATIONS ON HOW LONG THE IMPLIED WARRANTY LASTS, SO THE ABOVE LIMITATION MAY NOT APPLY TO YOU. IN NO EVENT SHALL WMH TOOL GROUP BE LIABLE FOR DEATH, INJURIES TO PERSONS OR PROPERTY, OR FOR INCIDENTAL, CONTINGENT, SPECIAL, OR CONSEQUENTIAL DAMAGES ARISING FROM THE USE OF OUR PRODUCTS. SOME STATES DO NOT ALLOW THE EXCLUSION OR LIMITATION OF INCIDENTAL OR CONSEQUENTIAL DAMAGES, SO THE ABOVE LIMITATION OR EXCLUSION MAY NOT APPLY TO YOU.

To take advantage of this warranty, the product or part must be returned for examination, postage prepaid, to an Authorized Repair Station designated by our office. Proof of purchase date and an explanation of the complaint must accompany the merchandise. If our inspection discloses a defect, we will either repair or replace the product at our discretion, or refund the purchase price if we cannot readily and quickly provide a repair or replacement. We will return the repaired product or replacement at WMH Tool Group's expense, but if it is determined there is no defect, or that the defect resulted from causes not within the scope of WMH Tool Group's warranty, then the user must bear the cost of storing and returning the product. This warranty gives you specific legal rights; you may also have other rights, which vary from state to state.

WMH Tool Group sells through distributors only. Members of the WMH Tool Group reserve the right to effect at any time, without prior notice, alterations to parts, fittings and accessory equipment, which they may deem necessary for any reason whatsoever.

Table of Contents

Warranty and Service	2
Table of Contents.....	3
Warnings.....	4
Introduction	6
Specifications.....	6
Ordering Replacement Parts	6
Unpacking.....	7
DC-1100A/RC Dust Collector.....	7
Contents of the Shipping Carton	7
Tools Required for Assembly	7
DC-1100C/RC Dust Collector	8
Contents of the Shipping Carton	8
Tools Required for Assembly	8
Assembly.....	9
Base	9
Motor and Fan Assembly	9
Connector Housing.....	10
Hose	10
Filter Bag Installation – DC-1100A/RC.....	11
Collector Bag Installation – DC-1100A/RC	11
Collector Bag Installation – DC-1100C/RC	12
Canister Filter Assembly and Installation – DC-1100C/RC.....	12
Electrical Connections	13
Turning the Machine On & Off	13
DC-1100A and DC-1100C.....	13
DC-1100RC.....	13
Setting the Timer	13
Maintenance.....	14
Cleaning the Filter Bag – DC-1100A/RC.....	14
Removing the Collector Bag – DC-1100A/RC	14
Cleaning the Filter – DC-1100C/RC.....	14
Removing the Collector Bag – DC-1100C/RC	14
Motor	14
Connecting the Dust Collector to a Machine.....	14
Grounding the Dust Collection System	14
Parts List – DC-1100A/RC Dust Collector.....	15
Parts Breakdown – DC-1100A/RC Dust Collector	16
Filter Assembly for DC-1100C/RC Models	17
Remote Control Breakdown for DC-1100RC.....	18
Wiring Diagram – DC-1100A/C.....	19
Wiring Diagram – DC-1100RC.....	20



Warnings

1. Read and understand the entire owners manual before attempting assembly or operation.
2. Read and understand the warnings posted on the machine and in this manual. Failure to comply with all of these warnings may cause serious injury.
3. Replace the warning labels if they become obscured or removed.
4. This dust collector is designed and intended for use by properly trained and experienced personnel only. If you are not familiar with the proper and safe operation of a dust collector, do not use until proper training and knowledge have been obtained.
5. Do not use this dust collector for other than its intended use. If used for other purposes, WMH Tool Group disclaims any real or implied warranty and holds itself harmless from any injury that may result from that use.
6. Always wear approved safety glasses/face shields while using this dust collector. Everyday eyeglasses only have impact resistant lenses; they are not safety glasses.
7. Before operating this dust collector, remove tie, rings, watches and other jewelry, and roll sleeves up past the elbows. Remove all loose clothing and confine long hair. Non-slip footwear or anti-skid floor strips are recommended. Do **not** wear gloves.
8. Wear ear protectors (plugs or muffs) during extended periods of operation.
9. Some dust created by power sanding, sawing, grinding, drilling and other construction activities contain chemicals known to cause cancer, birth defects or other reproductive harm. Some examples of these chemicals are:
 - Lead from lead based paint.
 - Crystalline silica from bricks, cement and other masonry products.
 - Arsenic and chromium from chemically treated lumber.Your risk of exposure varies, depending on how often you do this type of work. To reduce your exposure to these chemicals, work in a well-ventilated area and work with approved safety equipment, such as face or dust masks that are specifically designed to filter out microscopic particles.
10. Do not operate this machine while tired or under the influence of drugs, alcohol or any medication.
11. Make certain the switch is in the **OFF** position before connecting the machine to the power supply.
12. Make certain the machine is properly grounded.
13. Make all machine adjustments or maintenance with the machine unplugged from the power source.
14. Remove adjusting keys and wrenches. Form a habit of checking to see that keys and adjusting wrenches are removed from the machine before turning it on.
15. Keep safety guards in place at all times when the machine is in use. If removed for maintenance purposes, use extreme caution and replace the guards immediately.
16. Check damaged parts. Before further use of the machine, a guard or other part that is damaged should be carefully checked to determine that it will operate properly and perform its intended function. Check for alignment of moving parts, binding of moving parts, breakage of parts, mounting and any other conditions that may affect its operation. A guard or other part that is damaged should be properly repaired or replaced.
17. Provide for adequate space surrounding work area and non-glare, overhead lighting.
18. Keep the floor around the machine clean and free of scrap material, oil and grease.
19. Keep visitors a safe distance from the work area. **Keep children away.**



Warnings

20. Make your workshop child proof with padlocks, master switches or by removing starter keys.
21. Give your work undivided attention. Looking around, carrying on a conversation and “horse-play” are careless acts that can result in serious injury.
22. Do not use the dust collector for anything except wood dust. Materials such as liquids, metal shavings, metal dust, screws, glass, plastic or rock can cause sparks and/or damage when coming into contact with any part of the dust collector.
23. Use recommended accessories; improper accessories may be hazardous.
24. Maintain tools with care. Follow instructions for lubricating and changing accessories.
25. Turn off the machine before cleaning. Use a brush or compressed air to remove chips or debris — do not use your hands.
26. Do not stand on the machine. Serious injury could occur if the machine tips over.
27. Never leave the machine running unattended. Turn the power off and do not leave the machine until it comes to a complete stop.
28. Remove loose items and unnecessary work pieces from the area before starting the machine.

Familiarize yourself with the following safety notices used in this manual:

CAUTION This means that if precautions are not heeded, it may result in minor injury and/or possible machine damage.

WARNING This means that if precautions are not heeded, it may result in serious injury or possibly even death.

- - SAVE THESE INSTRUCTIONS - -

Introduction

This manual is provided by JET covering the safe operation and maintenance procedures for model DC-1100 Series Dust Collectors. This manual contains instructions on installation, safety precautions, general operating procedures, maintenance instructions and parts breakdown. This machine has been designed and constructed to provide years of trouble free operation if used in accordance to instructions set forth in this manual. If there are any questions or comments, please contact either your local supplier or WMH Tool Group.

Specifications

Model	DC-1100A/RC	DC-1100C/RC
Stock Number	708639/RC	708626C/RC
Blower Wheel Diameter	11"	11"
Sound Rating at 3 feet	70-80 db	70-80 db
Hose Diameter	4" & 6"	4" & 6"
Air Flow (CFM)	1,100	1,100
Velocity at 4" (FPM)	8,464	8,464
Static Pressure (inch of water)	11.5	11.5
Bag Diameter	20"	20"
Bag Length	46" & 29"	46" & 29"
Collector Bag Capacity (cu. ft.)	5.6	5.6
Overall Dimensions	37"L x 28"W x 79"H	37"L x 28"W x 71-1/8"H
Motor (TEFC)	1-1/2 HP, 1Ph 115/230V 115V Prewired	1-1/2 HP, 1Ph 115/230V 115V Prewired
Net Weight (approx.)	103 lbs.	124 lbs.

The above specifications were current at the time this manual was published, but because of our policy of continuous improvement, WMH Tool Group reserves the right to change specifications at any time and without prior notice, without incurring obligations.

Ordering Replacement Parts

Replacement parts are listed in the back of this manual. To order parts or reach our service department, call 800-274-6848 between 7:00 a.m. and 6:00 p.m. (CST), Monday through Friday. Having the Model Number and Serial Number of your machine available when you call will allow us to serve you quickly and accurately.

Unpacking

DC-1100A/RC Dust Collector

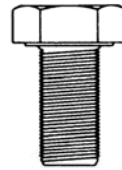
1. Remove all contents from the shipping carton.
2. Report any damage to your distributor.
3. Do not discard any shipping material until after the dust collector has been assembled and is running properly.

Contents of the Shipping Carton

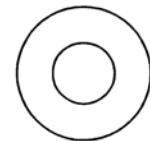
- 1 – Upper Bag Hanger
- 1 – Base
- 1 – Housing
- 1 – Hanger Bracket
- 1 – Owner's Manual
- 1 – Hose
- 1 – Warranty Card
- 1 – Motor/Fan Assembly
- 1 – Collector Bag
- 1 – Filter Bag
- 2 – Hose Clamps
- 1 – Retainer Strap
- 4 – Casters
- 1 – Inlet Port & Inlet Cap
- 3 – Support Legs
- 1 – Bag of Assembly Hardware
 - (16) M8 x 16 Hex Cap Screws
 - (22) M8 Flat Washers
 - (8) M6 x 12 Pan Head Flange Screws
 - (6) M8 Hex Nuts

Tools Required for Assembly

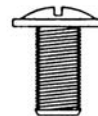
- 2 – 13mm Wrenches or Sockets
- 1 – 14mm Wrench or Socket
- 1 – #2 Cross Point Screw Driver
- 1 – 17mm Wrench



(16) M8 x 16
Hex Cap Screws



(22) M8
Flat Washers



(8) M6 x 12
Pan Head
Flange Screws



(6) M8
Hex Nuts

Bag of Assembly Hardware



Read and understand the entire contents of this manual before attempting set-up or operation! Failure to comply may cause serious injury.

Unpacking

DC-1100C/RC Dust Collector

1. Remove all contents from the shipping carton.
2. Report any damage to your distributor.
3. Do not discard any shipping material until after the dust collector has been assembled and is running properly.

Contents of the Shipping Carton

Canister Filter Box

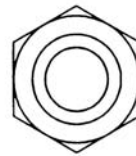
- 1 – Canister Filter
- 1 – Handle
- 1 – Bag of Hardware for Handles
 - (2) M10 Hex Nuts
 - (2) M10 Flat Washers
 - (1) M10 Lock Washer
 - (4) Knobs

DC-1100C/RC

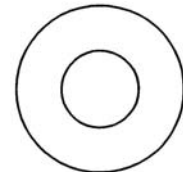
- 1 – Base
- 1 – Housing
- 1 – Owner's Manual
- 1 – Warranty Card
- 1 – Motor/Fan Assembly
- 5 – Collector Bags
 - 1 – Snap Ring
 - 2 – Ring Clamps
 - 4 – Casters
- 1 – Inlet Port & Inlet Cap
- 3 – Support Legs
- 2 – Hoses
 - 1 – Bag of Assembly Hardware
 - (16) M8 x 20 Hex Cap Screws
 - (22) M8 Flat Washers
 - (8) M6 x 12 Pan Head Flange Bolts
 - (36) M8 Hex Nuts

Tools Required for Assembly

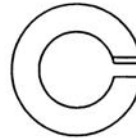
- 2 – 13mm Wrenches or Sockets
- 1 – 14mm Wrench or Socket
- 1 – #2 Cross Point Screw Driver
- 1 – 17mm Wrench



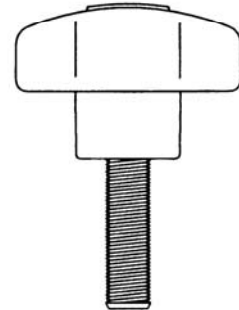
(2) M10
Hex Nuts



(2) M10
Flat Washers

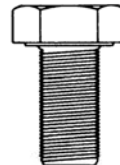


(1) M10
Lock Washer

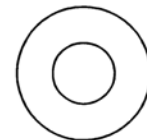


(4) M6 x 20
Knobs

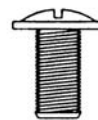
Bag of Hardware for Handles



(16) M8 x 16
Hex Cap Screws



(22) M8
Flat Washers



(8) M6 x 12
Pan Head
Flange Screws



(6) M8
Hex Nuts

Bag of Assembly Hardware



Read and understand the entire contents of this manual before attempting set-up or operation! Failure to comply may cause serious injury.

Assembly

Base

1. Install *four* casters to the under side of the base as pictured in Fig. 2.
2. Thread the hex nut (B, Fig. 1) onto the caster shaft. Then slide the lock washer (A, Fig. 1) over the caster shaft. Thread the caster shaft into the threaded hole on the underside of the base, turn until snug. Tighten the nut (B, Fig. 1) against the base with a 14mm wrench. This will give the caster proper clearance.

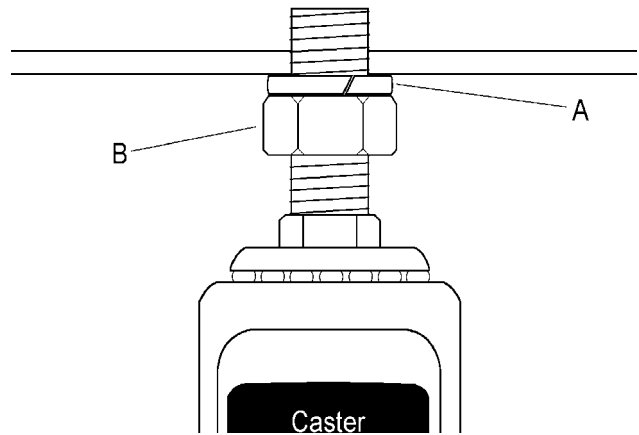


Figure 1

Motor and Fan Assembly

3. Place the base with casters on the ground. Attach the motor and fan assembly (A, Fig. 2) to the base using four M8 x 16 hex cap screws, four M8 flat washers (B, Fig. 2), and a 13mm wrench.

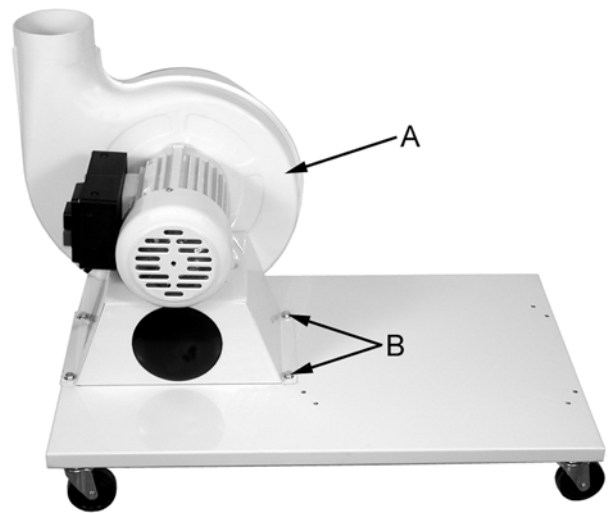


Figure 2

⚠WARNING The dust collector must not be connected to the power source during assembly. Failure to comply may result in serious injury!

4. Attach inlet guard (A, Fig. 3) to fan housing using eight M6 x 12 pan head screws (B, Fig. 3). Press the inlet ports (C, Fig. 3) onto the inlet guard until it snaps into place.

⚠WARNING To reduce the risk of injury from moving parts, always keep inlet port covered with the caps provided, if they are not connected to a hose. Failure to comply may result in serious injury!

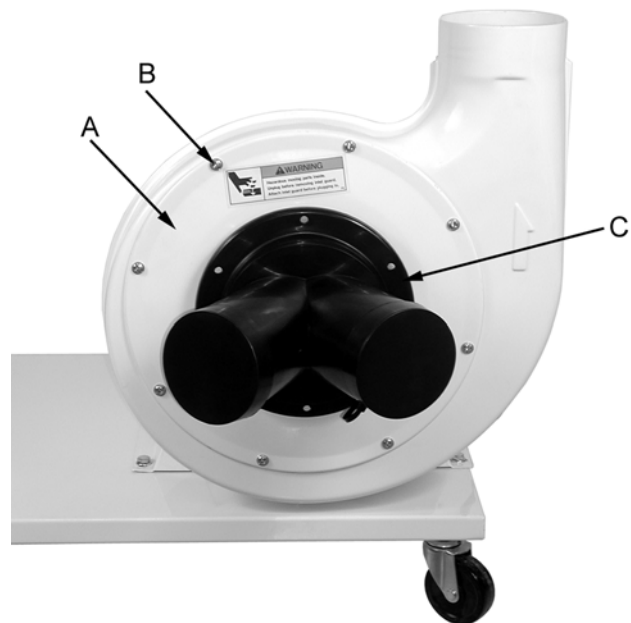


Figure 3

Connector Housing

5. Attach three support brackets (A, Fig. 4) to the base using six M8 x 16 hex cap bolts and six M8 flat washers (B, Fig. 4). Hand-tighten only at this time.

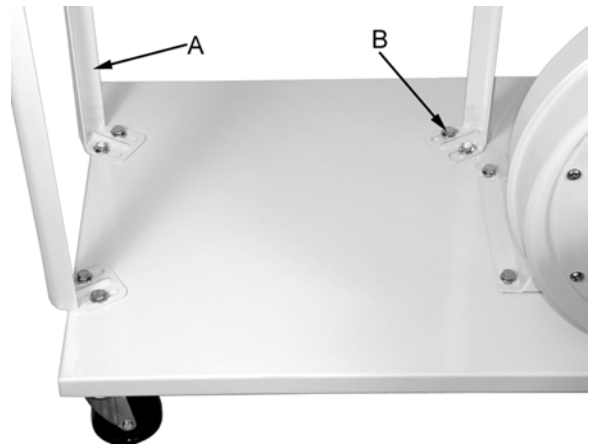


Figure 4

6. Install the housing (A, Fig. 5) to two support brackets (B, Fig. 5) using four M8 x 16 hex cap bolts, eight M8 flat washers, and four M8 hex nuts (C, Fig. 5). *Be sure hose opening faces fan housing.*
7. Before attaching third support bracket place the *hanger bracket* (D, Fig.5) between the support bracket and the housing.

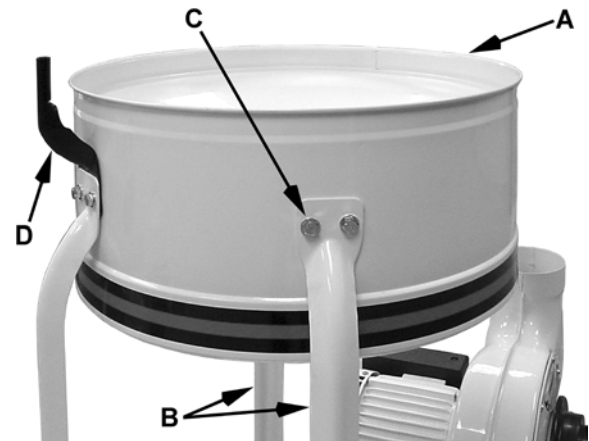


Figure 5

- Note:** The *hanger bracket* is used in models DC-1100A/RC only.
8. Tighten all nuts and bolts at this time with a 13mm wrench.

Hose

9. Attach the hose (A, Fig. 6) between the fan housing and the collector housing with two clamps (B, Fig. 6). Tighten the clamps to secure the hose.

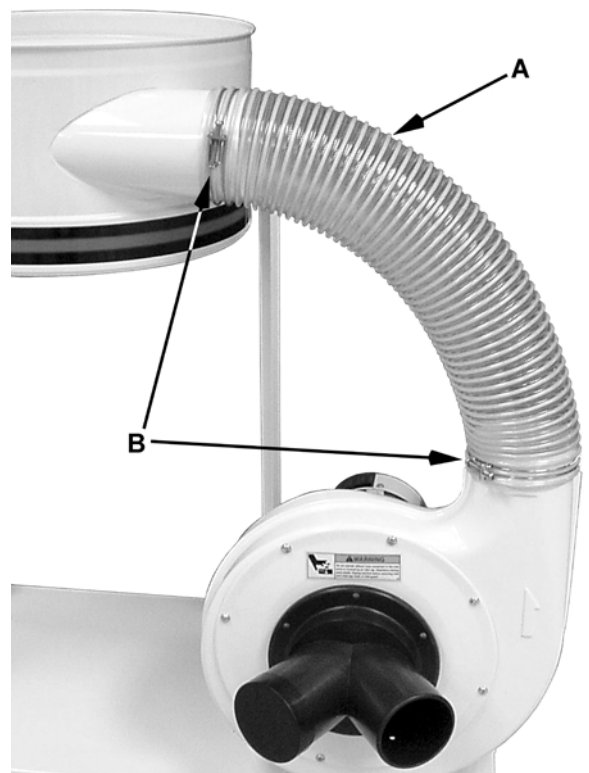


Figure 6

If you are assembling the *DC-1100A/RC Dust Collector*, proceed to the next section. If you are assembling the *DC-1100C/RC Dust Collector*, proceed to *Collector Bag Installation – DC-1100C/RC* section.

Filter Bag Installation – DC-1100A/RC

Referring to Figure 7:

1. Place the hanger (A) on the hanger bracket (B).
2. Slide the filter bag loop (C) over the hanger hook.
3. Thread the retainer strap (D) through the loops on the filter bag (E) and fasten to the collector housing (F).

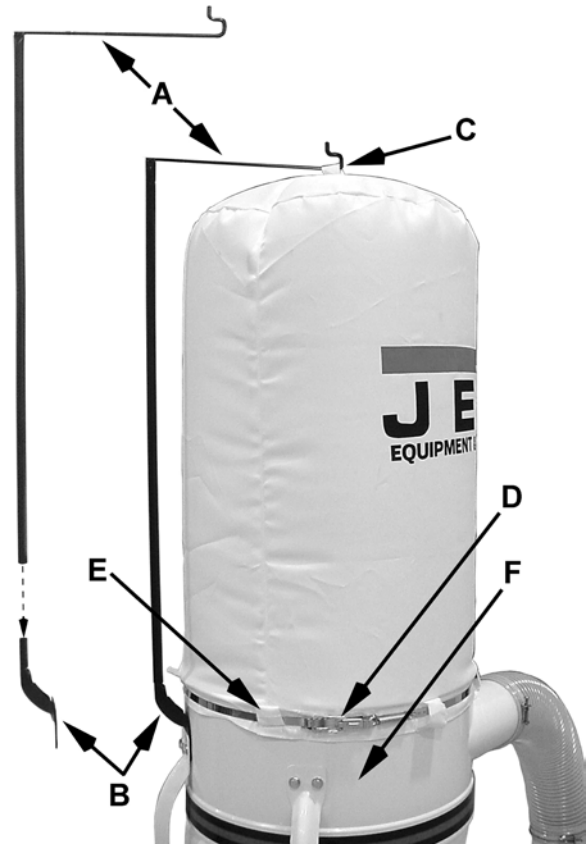


Figure 7

Collector Bag Installation – DC-1100A/RC

Referring to Figure 8:

4. Insert the ring of the collector bag (A) at an angle into the housing (B) through the opening at the bottom. Pull down on the bag to make sure it "seats" in the housing.
5. Position the plastic window in front so that you can easily see when the collector bag is full.

After completing the filter bag and collector bag installation, proceed to *Electrical Connections*.

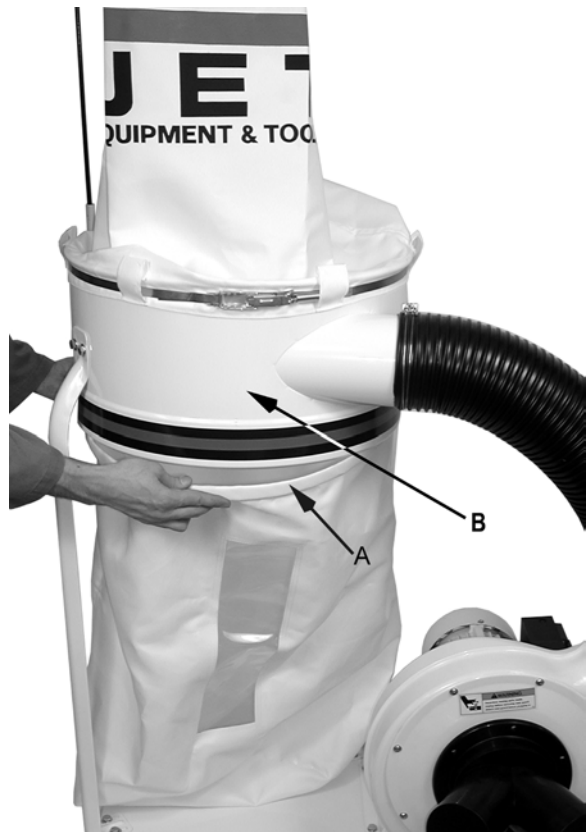


Figure 8

Collector Bag Installation – DC-1100C/RC

1. Place the ring over the top of the plastic bag and fold over the bag approximately three inches, Figure 9.



Figure 9

2. Insert the snap ring (A, Fig. 10) of the collector bag into the bottom of the housing at an angle.
3. Pull down on the ring to make sure it “seats” in the housing.

Note: make sure the snap ring “snaps” into place in the housing, and also that the plastic bag hangs down approximately 3” so that there are no air leaks.



Figure 10

Canister Filter Assembly and Installation – DC-1100C/RC

4. Mount the handle onto the canister filter with two M10 hex nuts, two M10 flat washers, and a M10 lock washer (Figure 11).
5. Mount the canister filter on top of the collector housing (A, Fig. 5) and tighten the knobs on the canister filter (Figure 11).

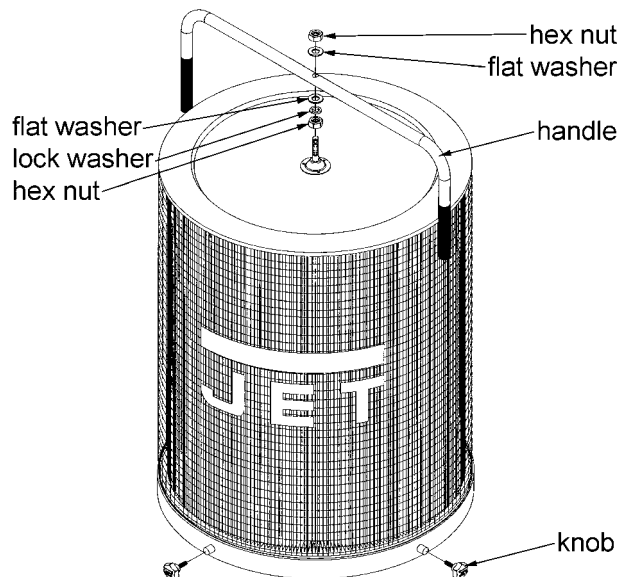


Figure 11

Electrical Connections

⚠WARNING All electrical connections must be done by a qualified electrician. All adjustments or repairs must be done with the dust collector disconnected from the power source, unplugged. Failure to comply may result in serious injury!

The DC-1100A/RC and DC-1100C/RC dust collectors are rated at **115/230V, Prewired 115V**. Use a plug and outlet rated at least 20 amps. The circuit for the machine should also be protected by at least a 20 amp circuit breaker or fuse. Keep in mind that a circuit being used by other machines, tools, lights, heaters, etc. at the same time will add to the electrical load.

A dedicated circuit to the dust collector will give you the best results since dust collectors are generally used at the same time other tools are running.

Before hooking up to the power source, make sure that the switch is in the off position.

Turning the Machine On & Off

⚠WARNING This machine is intended for indoor use only.

Before hooking up to the power source, make sure that the switch is in the off position.

DC-1100A and DC-1100C

Turn the DC-1100A and DC-1100C dust collectors on by pressing the *Start* button mounted next to the motor. Press the *Stop* button to turn off the dust collector.

DC-1100RC

The DC-1100RC dust collectors can be controlled from the *control panel* mounted on the side of the motor (Figure 9) or from a *remote control unit* (Figure 10).

To start the dust collector, press the *ON* button. If the *remote control unit* (Figure 10) is used, aim it at the *control panel* (Figure 9). The machine will remain running until the *OFF* button is pressed. The *digital readout* will always display 00 while running.

Setting the Timer

Once the machine is running, press the *TIME* button to activate the timer. Each time the button is pressed and released, the run time is incremented on the digital display by one minute and can be set up to 99 minutes. If the *TIME* button is pressed and held, the

time will scroll up to 99 minutes, then start again at 00. Release the button when the desired set time is reached. The dust collector will run for the amount of time displayed on the digital display. If you scroll past 99 and release the button at 10, for example, the machine will run for ten minutes, not 110 minutes.

If the *OFF* button is pressed while machine is running with the timer engaged, the machine turns off and the timer is disengaged, i.e., when the machine is restarted, the timer must be reset.



Figure 9



Figure 10

Maintenance

▲WARNING Never perform maintenance on this machine before turning switch off and removing plug from power source. Failure to comply may cause serious injury!

Cleaning the Filter Bag – DC-1100A/RC

▲CAUTION Wearing a particle mask or respirator for protection against fine dust particles during cleaning is highly recommended.

During first use and after cleaning, the filter bag may allow some dust to escape. This is normal and will stop after a short period of time.

Clean both the filter and collector bags frequently to keep the collector's performance at its optimum. To clean:

1. Disconnect the machine from the power source.
2. Unhook the filter bag from the hanger and shake the bag so that the majority of the dust falls into the collector bag.
3. Loosen the retaining strap, and remove the filter bag from the housing.
4. Turn the bag inside out and clean.
5. Turn the bag outside in and re-attach to the housing using the retainer strap to secure.

Removing the Collector Bag – DC-1100A/RC

1. Disconnect the machine from the power source.
2. Remove the collector bag by pushing the ring of the collector bag upwards and pulling the bag out at an angle.
3. Empty the contents into an appropriate container.
4. Turn the bag inside out and clean.
5. Turn the bag outside in and insert into the housing.

To replace the collector bag, refer to the *Collector Bag Installation – DC1100A/RC* section.

Use the proper type hose to connect the dust collector to the machine being operated. Dryer vent hose is not acceptable for this purpose. Contact your nearest JET distributor for the full line of JET *Dust Collector Hoses and Accessories*. Customize your installation and obtain maximum performance with JET's dust hoods, hoses, clamps, fittings, and blast gates.

Cleaning the Filter – DC-1100C/RC

▲WARNING Never perform maintenance on this machine before turning switch off and removing plug from power source. Failure to comply may cause serious injury!

Clean both the filter and collector bags frequently to keep the collector's performance at its optimum.

To clean the filter, turn the handle a couple of rotations so the dust falls into the collector bag.

Removing the Collector Bag – DC-1100C/RC

▲CAUTION Wearing a particle mask or respirator for protection against fine dust particles during cleaning is highly recommended.

1. Disconnect the machine from the power source outlet.
2. Remove the collector bag by pushing the ring of the collector bag upwards at an angle and pulling the bag and snap ring out.
3. Empty the contents into an appropriate container.

To replace the collector bag, refer to the *Collector Bag Installation – DC-1100C/RC* section.

Motor

Make frequent inspections of the motor fan and blow out (with low pressure air hose) or vacuum any accumulation of foreign material in order to maintain normal motor ventilation.

Connecting the Dust Collector to a Machine

Use the proper type hose to connect the dust collector to the machine being operated. Dryer vent hose is not acceptable for this purpose. Contact your nearest JET distributor for the full line of JET Dust Collector Hoses and Accessories. Customize your installation and obtain maximum performance with JET's dust hoods, hoses, clamps, fittings, and blast gates.

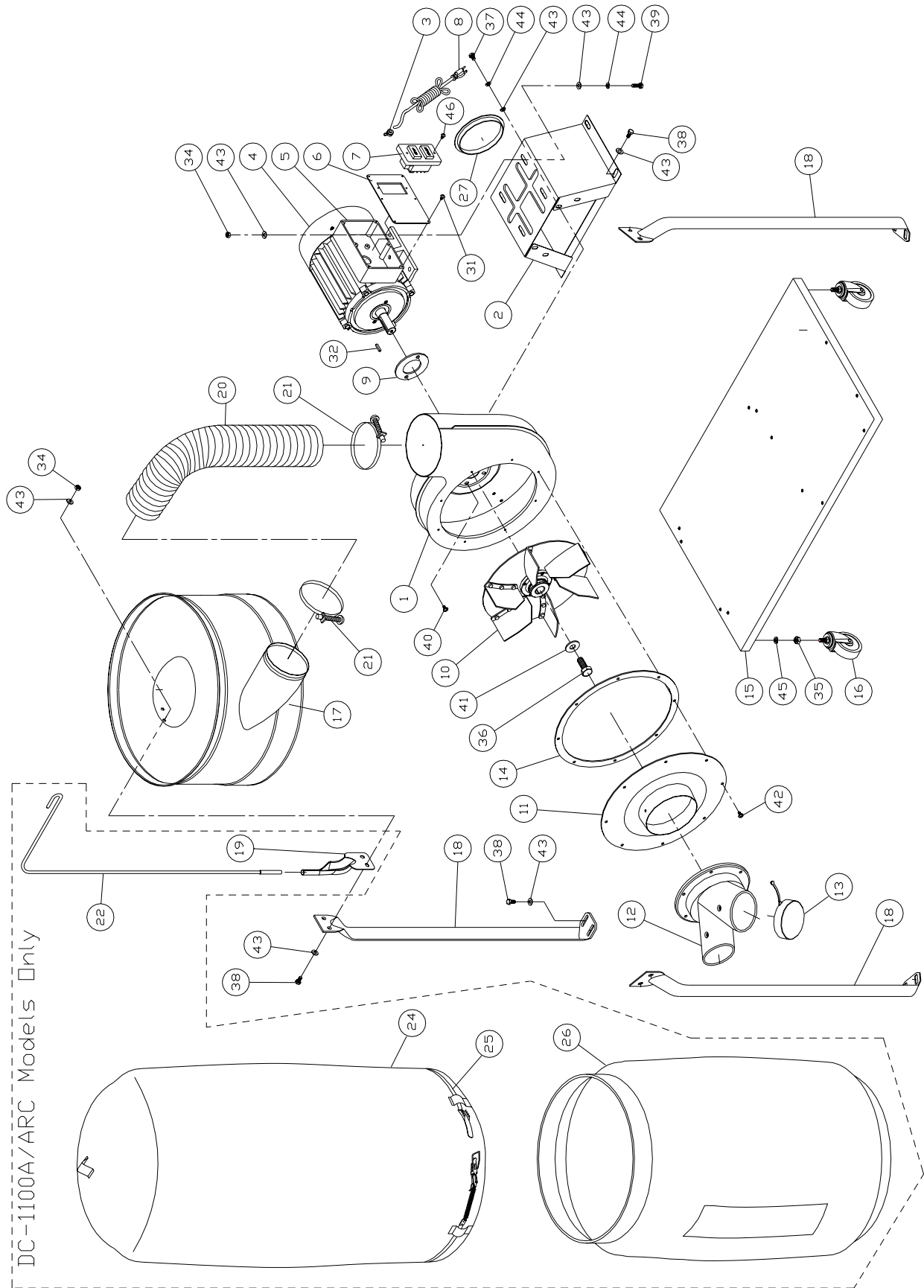
Grounding the Dust Collection System

The dust collection system includes the dust collector and the hose, or ductwork you use to connect the tools. The dust collector is grounded though the ground wire in the cord. The hose or ductwork you use to connect the tool to the dust collector must also be grounded. To assist in grounding your system you can purchase the JET "Dust Collector Grounding Kit" stock # JW1053 through JET Distributors.

Parts List – DC-1100A/RC Dust Collector

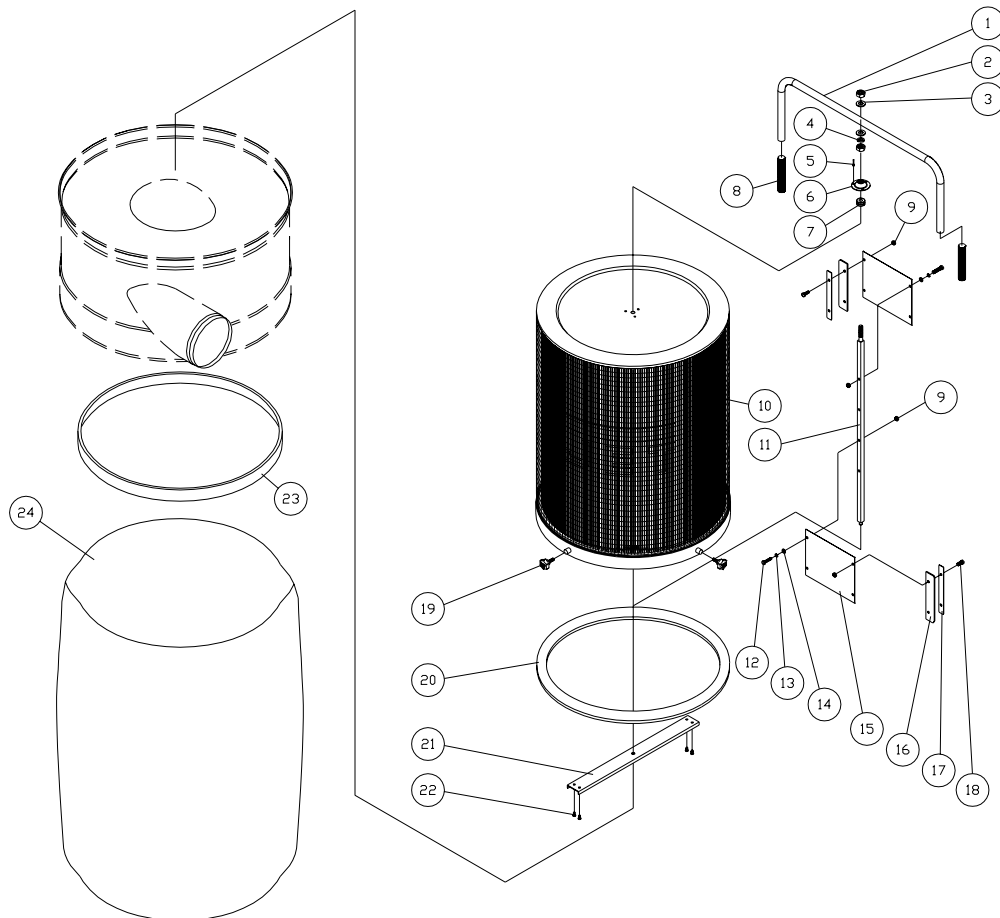
Index No.	Part No.	Description	Size	Qty
1	411035W	Impeller Housing		1
2	411026W	Motor Bracket		1
3	998621	Strain Relief		1
4	MA2041J1W	Motor	1-1/2 HP, 1Ph	1
	DC1100-50W	Motor Fan Cover (not shown)		1
	DC1100-51	Motor Fan (not shown)		1
	DC1100-54	Running Capacitor (not shown)	40uf, 250V	1
	DC1100-55	Starting Capacitor (not shown)	400MFD, 125VAC	1
	DC1100-52	Centrifugal Switch (not shown)		1
	DC1100-53	Centrifugal Switch Rotor (not shown)		1
5	411051	Switch Box		1
6	411053	Switch Plate (DC-1100A/C only)		1
7	994542	Switch (DC-1100A/C only)		1
8	999910	Power Cord		1
9	420051	Motor Packing		1
10	AB411040	Impeller	11"	1
11	411036W	Inlet Guard		1
12	427028	Inlet Port	2 @ 4"	1
13	420203	Inlet Cap		1
14	430034	Inlet Flange Packing		1
15	411041W	Base		1
16	402036	Pivoting Caster		4
17	422012W	Housing	20"	1
18	402004W	Support		3
19	523011W	Hanger Bracket		1
20	411009	Hose		1
21	420010	Ring Clamp	5"	2
22	430038	Hanger (DC-1100A/RC only)	30 Micron Bag Hanger	1
	424008	Hanger (DC-1100A/RC only)	5 Micron Bag Hanger	1
24	708698	Filter Bag (DC-1100A/C only)	30 Micron	1
	708706	Filter Bag (optional for DC-1100A/C only)	5 Micron	1
25	AB410012	Retainer Strap		1
26	708699A	Collection Bag (DC-1100A/C only)		1
27	450038	Bracket Cap		1
31	ST050204	Tapping Screw	M5x10	6
32	KS050525	Key	5x5x25	1
34	TS-1540061	Hex Nut	M8	10
35	TS-0561031	Hex Nut	3/8"-16UNC	4
36	TS-1490031	Hex Cap Screw	M8x20	1
37	TS-1490011	Hex Cap Screw	M8x12	4
38	TS-1490021	Hex Cap Screw	M8x16	16
39	TS-1490041	Hex Cap Screw	M8x25	4
40	TS-1554041	Pan Head Bolt W/Flange	M6x12	2
41	TS-1550061	Flat Washer	M8	1
42	TS-1554041	Pan Head Bolt W/Flange	M6x12	8
43	TS-1550061	Flat Washer	M8	34
44	TS-2361081	Lock Washer	M8	8
45	TS-2361101	Lock Washer	M10	4
46	ST059200	Tapping Screw	M5x8	2
	DC1200-53	Grounding Label (not shown)		1
	DC1200-54	Direction Label (not shown)		1
	DC1100A-ID	I.D. Label (not shown)		1
	DC1100-HP	Hardware Package (not shown)		1
	DC1100-WL	Warning Label (not shown)		1

Parts Breakdown – DC-1100A/RC Dust Collector



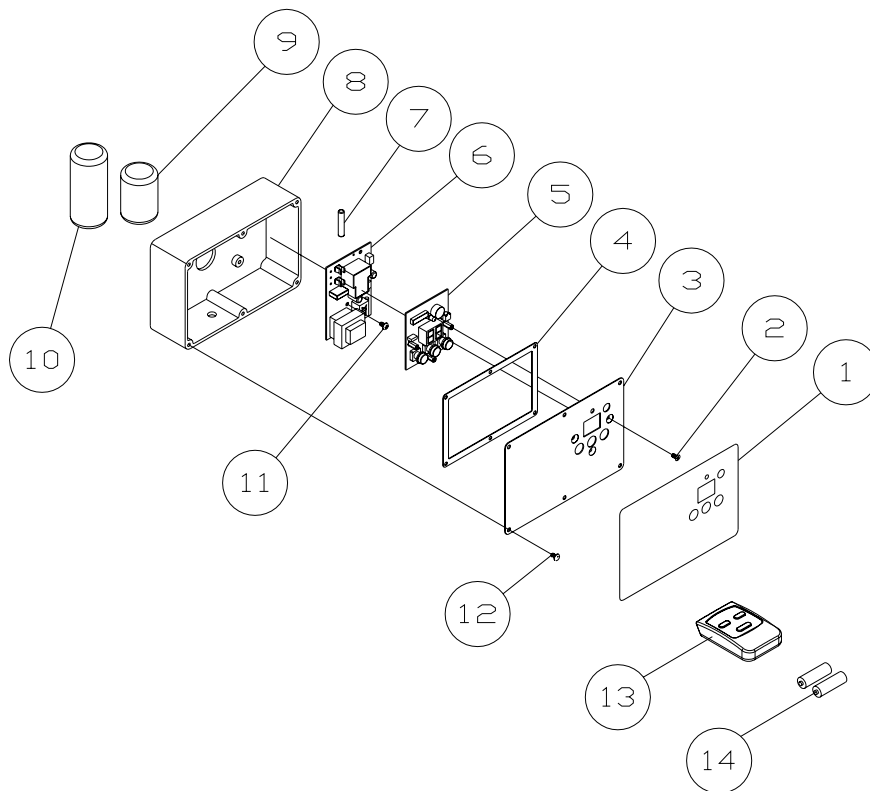
Filter Assembly for DC-1100C/RC Models

Index No.	Part No.	Description	Size	Qty
1	331050	Handle		1
2	TS-1540071	Hex Nut	M10	2
3	TS-1550071	Flat Washer	M10	2
4	TS-2361101	Lock Washer	M10	1
5	BR000052	Rivet	5-2	3
6	331014	Bracket		1
7	150623	Pad		1
8	331051	Soft Grip Handle		2
9	TS-1540041	Hex Nut	M6	8
10	708739	Filter		1
11	331052	Shaft		1
12	TS-1482041	Hex Cap Screw	M6X20	4
13	TS-2361061	Lock Washer	M6	4
14	TS-1550041	Flat Washer	M6	4
15	331012	Scraper		2
16	331017	Strip		2
17	331015	Press Plate		2
18	TS-1482021	Hex Cap Screw	M6x12	4
19	331037	Knob		4
20	331031	Pad		1
21	331009	Support		1
22	ST049200	Tapping Screw	M4X8	4
23	331038	Snap Ring		1
24	709563	Plastic Bag		5

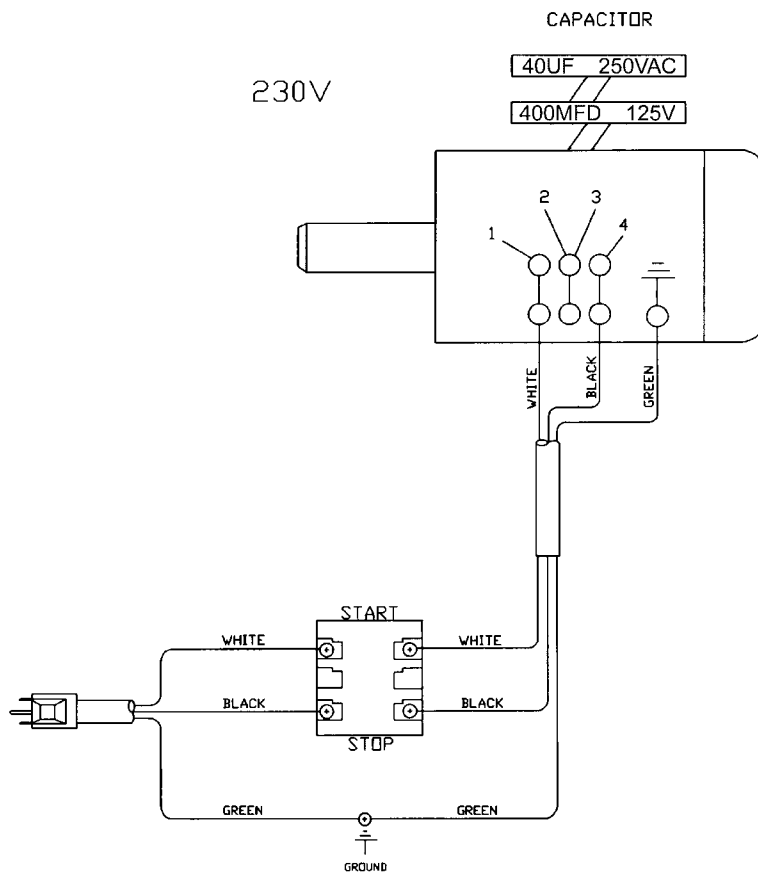
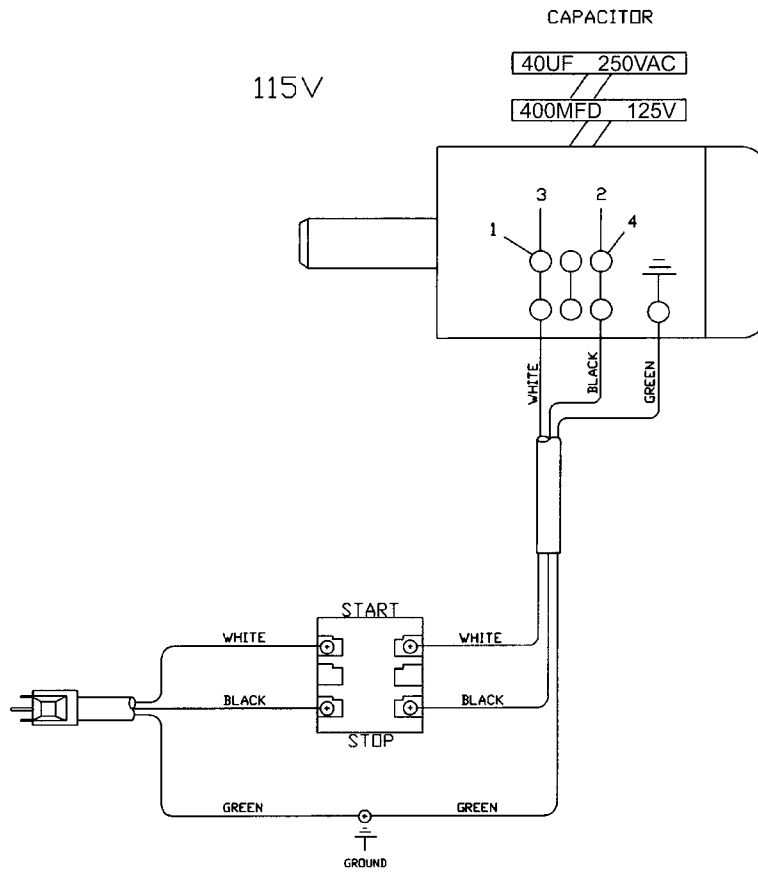


Remote Control Breakdown for DC-1100RC

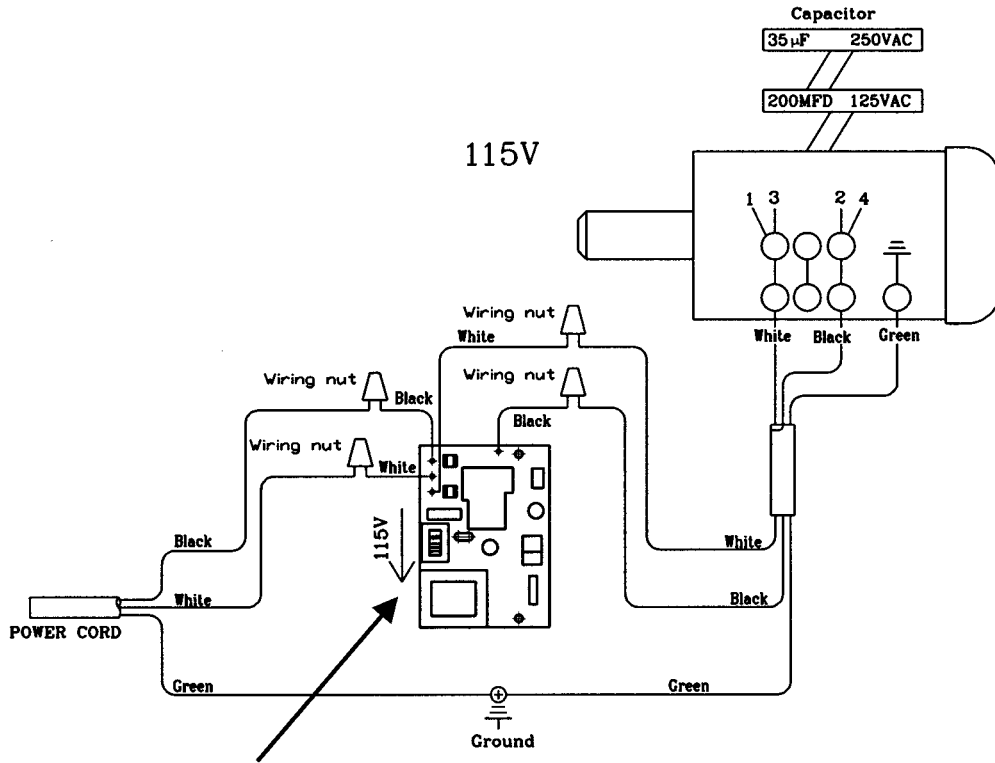
Index No.	Part No.	Description	Size	Qty
.....	DC1100RC-100	Receiver Assembly (Items 1-12)		1
1	DCRC-101	Label		1
2	DCRC-102	Counter Screw		3
3	DCRC-103	Switch Plate		1
4	DCRC-104	Seal		1
5	DCRC-105	Digital Switch		1
6	DCRC-106	Circuit Board		1
7	DCRC-107	Fuse	250V, 1A	1
8	DCRC-108	Switch Box		1
9	CA35250	Running Capacitor	35 μ f, 250VAC	1
10	CA200125	Starting Capacitor	200MFD, 125VAC	1
11	DCRC-111	Tapping Screw	M3.5x10	1
12	ST039304	Tapping Screw	M3.5x12	6
13	DCRC-113	Remote Control		1
14		Battery	AAA	2



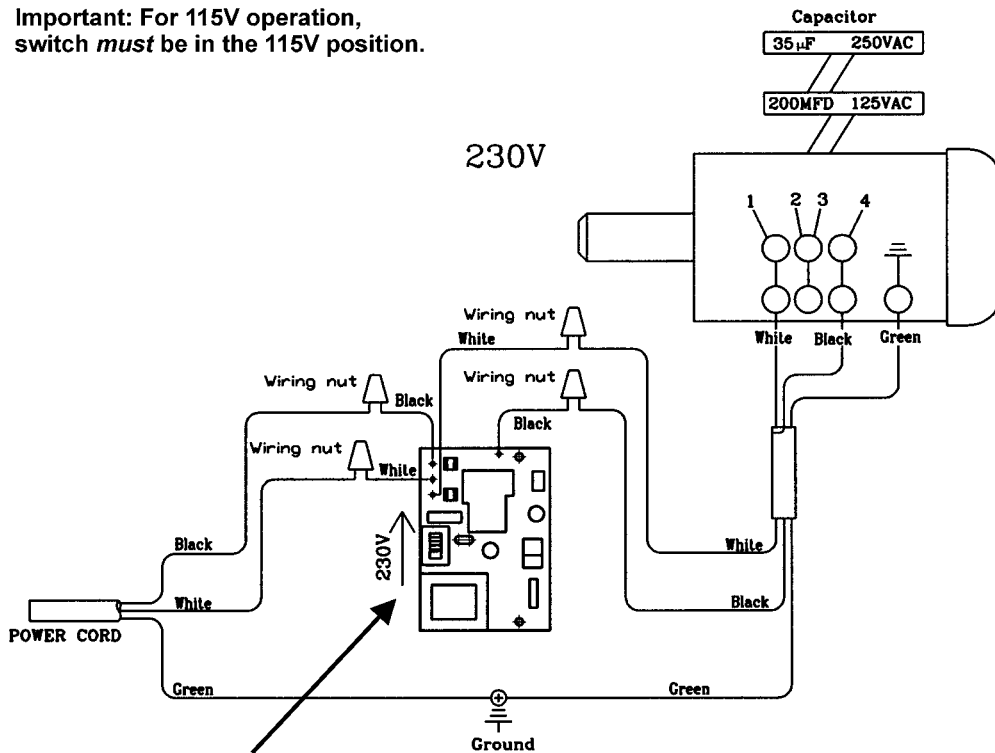
Wiring Diagram – DC-1100A/C



Wiring Diagram – DC-1100RC



Important: For 115V operation, switch *must* be in the 115V position.



Important: For 230V operation, switch *must* be in the 230V position.