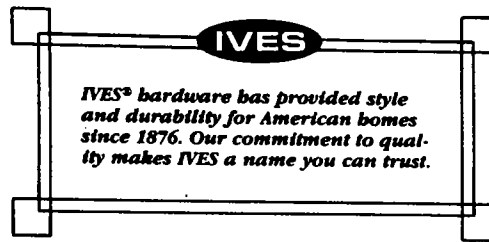


926 - PNEUMATIC DOOR CLOSER

900's



926
OBSOLETE

DOOR CLOSER

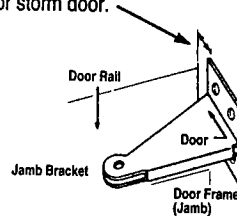
FOR INSTALLATION ON RAIL AT TOP OF DOOR
OR ON MULLION STRIP NEAR CENTER.

INSTALLATION INSTRUCTIONS

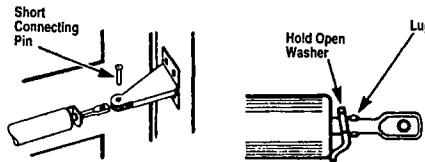
NOTE: Be sure door closes freely before installing.

TOOLS REQUIRED: 1/8" drill bit, Phillips screwdriver, awl or pencil.

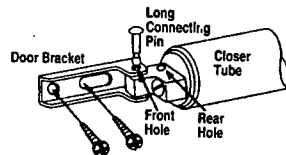
1. Determine desired height. Position jamb bracket 1/4" in from door and fasten to door frame (see illustration below). Open side of bracket must be facing screen or storm door.



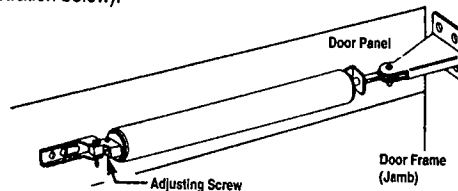
2. Slide the "hold open" washer onto rod. Use short connecting pin to connect closer to jamb bracket. The "hold open" washer should be placed over lugs against closer tube (see illustration below). This will provide proper tension for installation and should not be adjusted until installation is complete.



3. Use long connecting pin to attach door bracket to closer tube. Tightly close and latch door and hold closer and door bracket in level position. Mark and drill two 1/8" diameter pilot holes. Fasten to door with short screws provided (see illustration below).



4. Open door and move "hold open" washer behind lugs on rod. The closing speed can be regulated by turning the adjusting screw (see illustration below).



If less closing power is required, hold door open about 8" with "hold open" washer, remove long connecting pin and relocate in rear hole.

926 PNEUMATIC DOOR CLOSER

OBSOLETE

IVES

INSTALLATION INSTRUCTIONS

(Use of a little oil or soap on threads makes driving screws much easier.)

THIS CLOSER MAY BE INSTALLED ON RAIL AT TOP OF DOOR OR ON MULLION STRIP NEAR CENTER, WHICHEVER IS DESIRED

NOTE: BEFORE INSTALLATION, CHECK DOOR TO SEE THAT IT CLOSSES FREELY

(USE 1/8" DRILL BIT FOR ALL PILOT HOLES)

STEP 1 At desired height, fasten jamb bracket to door frame with open side 1/4" from door as shown. (See Fig. A)

If more latching force is desired, jamb bracket may be moved up to 1" away from door. **NOTE:** Moving the jamb bracket further from door nominally reduces door opening.

STEP 2 Slide hold-open washer on rod. Using short connecting pin, connect closer to jamb bracket. Hold-open washer should be positioned over lugs against closer tube as shown. This will give proper tension for installation. (Do not change until installation is completed.) (See Fig. B)

STEP 3 Two styles of door brackets are made. (See Fig. C & Fig. D) Your closer comes with only one.

Attach door bracket to closer tube **FRONT** hole with long connecting pin (see Fig. C or Fig. D).

With door tightly closed, hold closer and door bracket against door in level position, mark and drill two 1/8" pilot holes. **CAUTION:** Do not drill through door. Fasten door bracket to door as shown with short screws (see Fig. C or Fig. D)

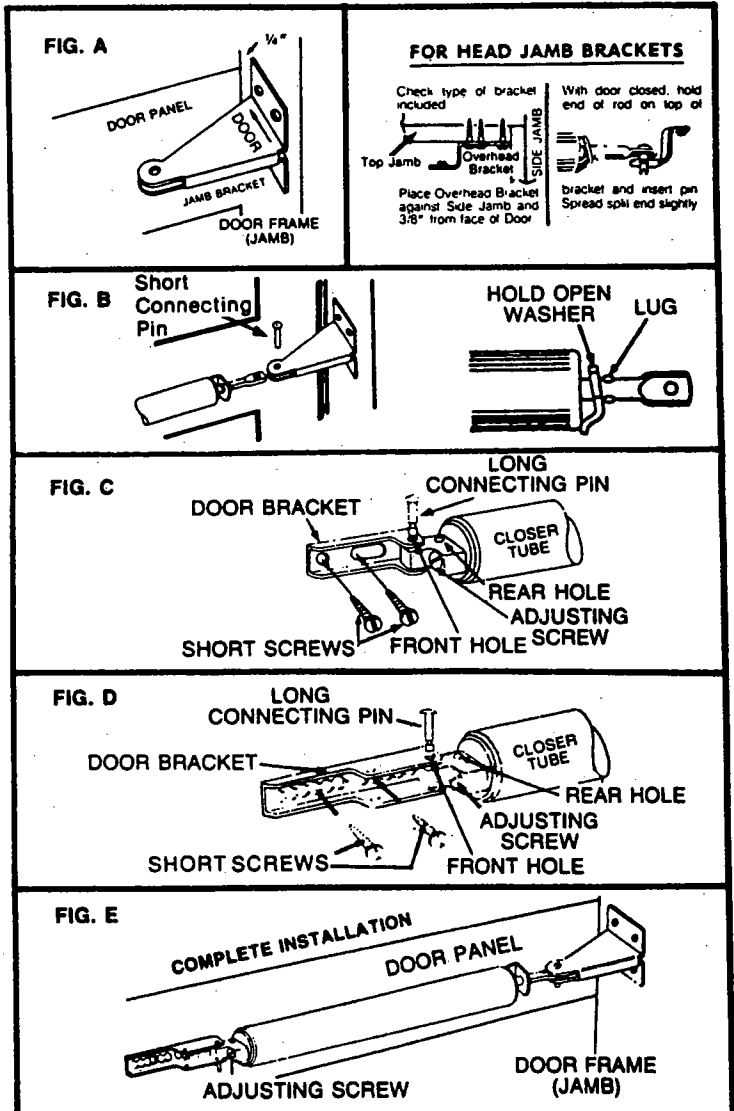
Open door and move hold-open washer back of lugs on rod.

Closer is now ready to operate. The closing speed may be regulated by turning adjusting screw (see Fig. E).

CONTROLLED LATCHING POWER FEATURE

Installed as directed, with the door bracket attached to the front hole of the door closer, the bypass valve built into this closer will accelerate the closing speed of the door in the last few inches of travel. This attachment position is recommended when the glass storm panel is in place.

If a smoother, more quiet closing action is desired, hold door open about 8" with hold-open washer, remove long connecting pin from door bracket and relocate in closer tube **REAR** hole. This position is normally used when the screen panel is in place (see Fig. C or Fig. D).



H.B. IVES, a Harrow Company

62 Barnes Park North

P.O. Box 5035

Wallingford, CT 06492

Phone: 203-294-4837

Fax: 203-284-1460

MADE IN U.S.A.