

# Non-Removable Device



## Assembly, Installation and Operating Instructions

Model No. I820

Yes, you can.

### SAVE THESE INSTRUCTIONS

*NOTE: Check all parts for shipping damage. In case of damage, DO NOT use. Contact Carrier/Invacare for further instructions.*

## Safety Summary

To ensure the safe installation of the non-removable device, these instructions MUST be followed:

### **⚠ WARNING**

**DO NOT** install this equipment without first reading and understanding this instruction sheet. If you are unable to understand the warnings, cautions and instructions, contact a healthcare professional, dealer or technical personnel if applicable, before attempting to install this equipment - otherwise, injury or damage may occur.

Invacare products are specifically designed and manufactured for use in conjunction with Invacare accessories. Accessories designed by other manufacturers have not been tested by Invacare and are not recommended for use with Invacare products.

After **ANY** adjustments, repair or service and **BEFORE** use, make sure that all attaching component parts are secure.

## Installing Non-Removable Device

*NOTE: For this procedure, refer to FIGURE 1 on page 3.*

1. Install front rigging onto the wheelchair.

### **CAUTION**

**It may be necessary to widen the opening of the clamp to prevent scratching the wheelchair frame.**

*NOTE: There is a right clamp and a left clamp. Ensure that the clamp tab is at the bottom of the clamp before installing.*

2. Follow one of the following instructions:
  - Footrest - Position the clamp between the two hinge plates of the footrest (Detail "A").
  - Elevating Legrest - Position the clamp above the upper hinge plate of the elevating legrest (Detail "B").

**For more information regarding Invacare products, parts, and services, please visit [www.invacare.com](http://www.invacare.com)**

---

3. Follow one of the following instructions:

- Footrest - Position the clamp tab over the lower hinge pin of the footrest (Detail "A").
- Elevating Legrest - Position the clamp tab over the upper hinge pin of the elevating legrest (Detail "B").

4. Squeeze the clamp together with pliers to secure around front frame tube.

*NOTE: The clamp MUST be positioned on the front frame tube to allow the swingaway front rigging to operate properly.*

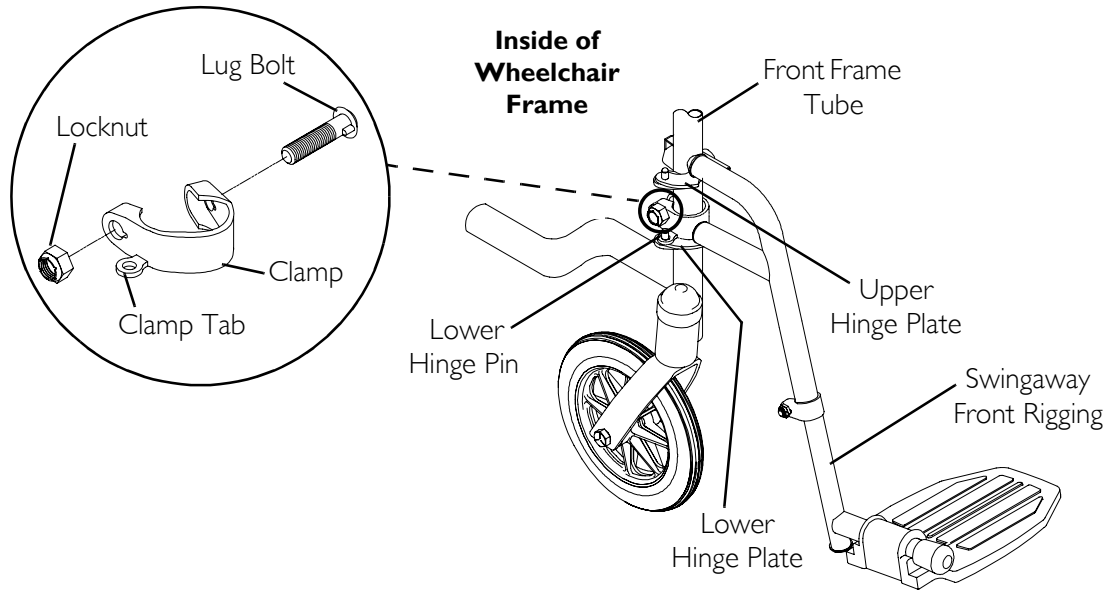
5. Install the lug bolt through the clamp from the inside of the wheelchair frame.

6. Install the locknut onto the lug bolt. Securely tighten.

7. Repeat STEPS 1 - 6 for the opposite side.

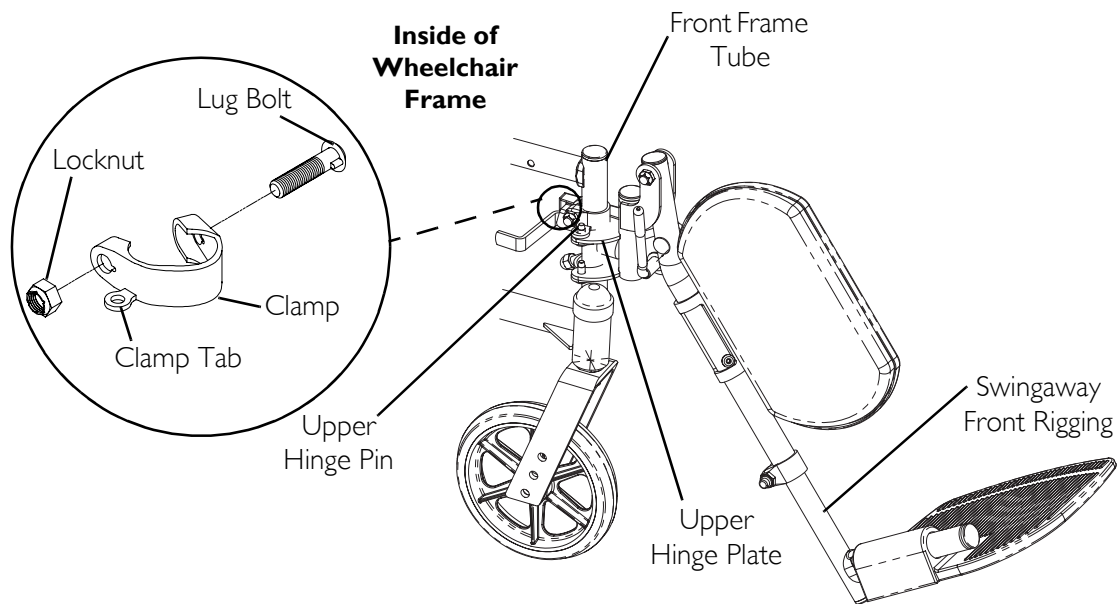
---

**DETAIL "A" - FOOTREST**



---

**DETAIL "B" - ELEVATING LEGREST**



**FIGURE I** Installing Non-Removable Device



**Yes, you can.®**

**Invacare Corporation** [www.invacare.com](http://www.invacare.com)

**USA**  
One Invacare Way  
Elyria, Ohio USA  
44036-2125  
800-333-6900

**Canada**  
570 Matheson Blvd. E Unit 8  
Mississauga Ontario  
L4Z 4G4 Canada  
800-668-5324

Invacare, the Medallion Design, and Yes, you can. are registered trademarks of Invacare Corporation.

© 2006 Invacare Corporation

Part No 1076733

Rev C - 2/8/06

**MADE IN MEXICO**