

# TELESCOPING I.V. ROD (MODEL 2218)



## Assembly, Installation and Operating Instructions

Kit No. 1101760

Yes, you can!

### SAVE THESE INSTRUCTIONS

NOTE: Check ALL parts for shipping damage. In case of shipping damage, DO NOT use. Contact Carrier/ Dealer for further instruction.

## SAFETY SUMMARY

To ensure the safe installation and adjustment of the Telescoping I.V. Rod Kit, these instructions **MUST** be followed:

### GENERAL WARNINGS

**DO NOT** install or use this equipment without first reading and understanding this instruction sheet. If you are unable to understand the **Warnings, Cautions or Instructions**, contact a healthcare professional, dealer or technical personnel before attempting to install this equipment - otherwise, injury or damage may occur.

**DO NOT** pull/push the wheelchair by the I.V. rod assembly. Injury to the assistant/occupant and/or damage to the I.V. rod assembly may occur.

**DO NOT** place any objects on the I.V. rod assembly other than those determined by a healthcare professional.

### INSTALLATION WARNING

After any adjustments, repair or service and **BEFORE** use, make sure all attaching hardware is securely tightened - otherwise injury or damage may result.

This kit contains the following items:

DESCRIPTION	QUANTITY
Telescoping I.V. Rod	1
Hex Screw	1
Large Locknut	1
Pan Head Screw	1
Small Locknut	1
I. V. Rod Mounting Bracket	1
Spacer	1
Insert*	1

NOTE: The I.V. Rod can be installed to either the right or left side of the wheelchair. The right side installation is shown in all figures. The left side installs in a similar manner.

\*NOTE: The Insert is only used with wheelchairs that have 7/8 inch diameter rear step tubes.

---

## INSTALLING THE TELESCOPING I.V. ROD (FIGURE 1)

1. Determine the side of the wheelchair to which the I.V. Rod is to be mounted.
2. If installed, remove rear anti-tippers. Refer to the owner's manual supplied with the wheelchair.

### WARNING

If rear anti-tippers are used on the wheelchair, **DO NOT** block the attachment hole in the bottom of the step tube (DETAIL "A" of FIGURE 1) with the insert and/or the mounting bracket. Otherwise, anti-tippers will not reinstall correctly and injury or damage may occur.

3. Determine whether the insert is required by measuring the outer diameter of the rear step tube.

#### INSERT REQUIRED

YES	NO
7/8 INCH DIAMETER REAR STEP TUBE	1 INCH DIAMETER REAR STEP TUBE

4. On the side determined in STEP 1, Perform one (1) of the following:
  - A. **INSERT REQUIRED** - Install the insert onto the rear step tube. Ensure the insert is rotated so the slit is positioned as shown in DETAIL "B" of FIGURE 1.
  - B. **NO INSERT REQUIRED**- Proceed to STEP 5.
5. Install the I.V. Rod mounting bracket onto the step tube as shown in FIGURE 1.
6. Loosely install the hex screw, spacer and large locknut to secure the I.V. rod mounting bracket to the step tube.

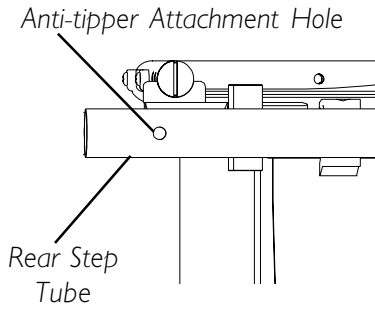
*NOTE: Ensure the I.V. rod is positioned on the inside of the wheelchair frame.*

7. Open the handle clamp far enough to slide over the hand grip.
8. Perform one (1) of the following to position the handle clamp on the hand grip:
  - A. **VINYL HAND GRIPS** - Position the handle clamp in front of the first finger divider on the hand grip as shown in DETAIL "C" of FIGURE 1. Ensure handle clamp is positioned completely on hand grip.
  - B. **FOAM HAND GRIPS** - Position the handle clamp towards the front of the horizontal portion of the hand grip as shown in DETAIL "C" of FIGURE 1.
9. Squeeze clamp closed around the hand grip.
10. Reinstall the pan head screw and locknut to secure the handle clamp to the hand grip.
11. Securely tighten all hardware.
12. Install rear anti-tippers. Refer to the owner's manual supplied with the wheelchair.
13. Adjust the height of the telescoping I.V. rod. Refer to ADJUSTING THE I.V. ROD HEIGHT in this instruction sheet.

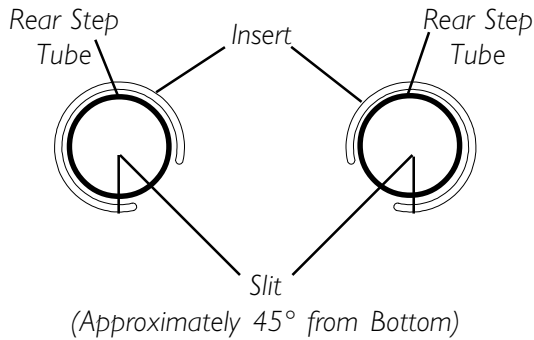
## ADJUSTING THE I.V. ROD HEIGHT (FIGURE 1)

1. Loosen the adjustment knob.
2. Adjust I.V. rod to desired height.
3. Securely tighten adjustment knob.

**DETAIL "A" - BOTTOM VIEW OF WHEELCHAIR**

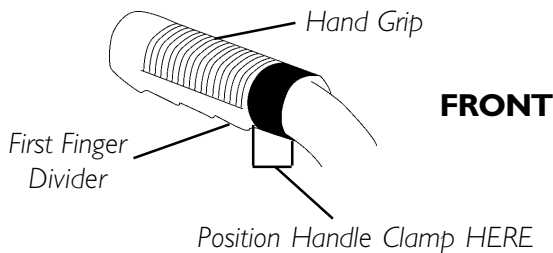


**DETAIL "B" - INSERT INSTALLATION REAR VIEW**

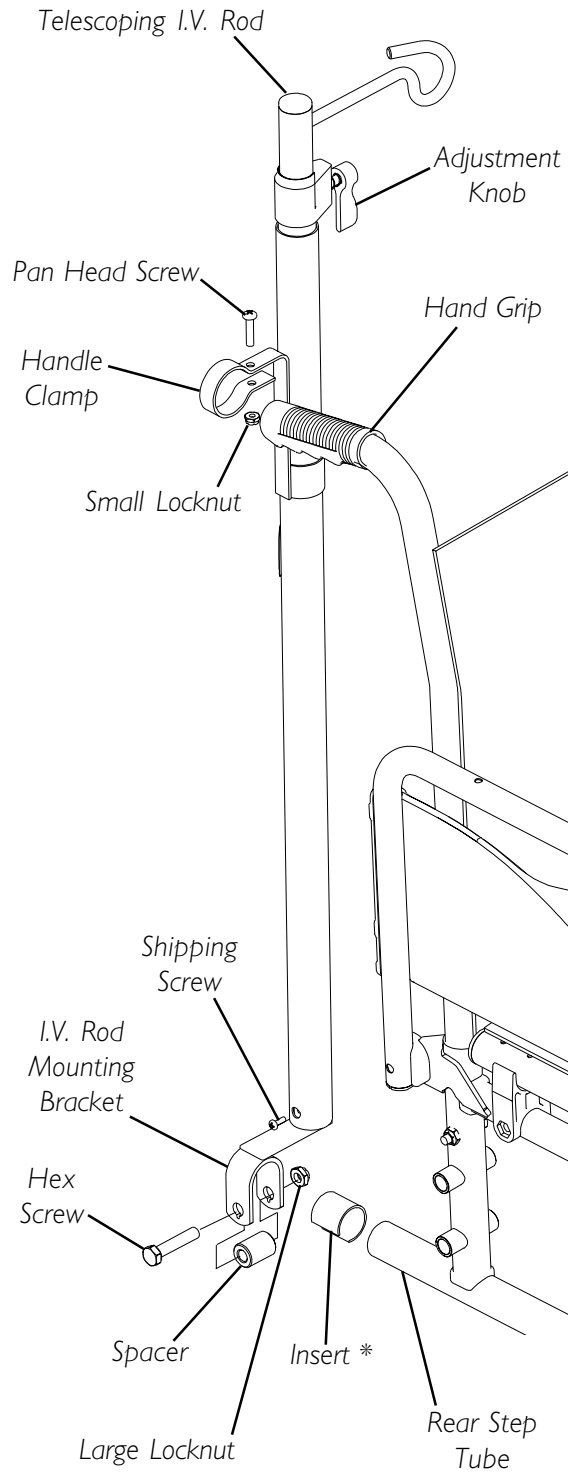
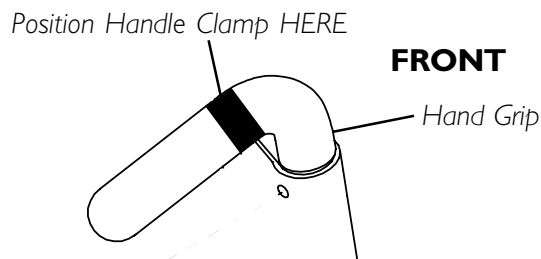


**DETAIL "C" - POSITIONING HANDLE CLAMP**

**VINYL HAND GRIP**



**FOAM HAND GRIP**



**\*NOTE:** The Insert is only used with wheelchairs that have 7/8 inch diameter rear step tubes.

**FIGURE I - INSTALLING THE TELESCOPING I.V. ROD / ADJUSTING THE I.V. ROD HEIGHT**



**Yes, you can.™**

**Invacare Corporation** [www.invacare.com](http://www.invacare.com)

---

**USA**  
One Invacare Way  
Elyria, Ohio USA  
44036-2125  
800-333-6900

**Canada**  
570 Matheson Blvd E Unit 8  
Mississauga Ontario  
L4Z4G4 Canada  
800-668-5324

Invacare is a registered trademark of  
Invacare Corporation.  
Yes, you can. is a trademark of Invacare  
Corporation.  
© 2003 Invacare Corporation  
Part No. 1114827 Rev A - 04/03