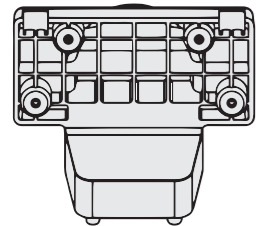


INCLUDED ACCESSORIES

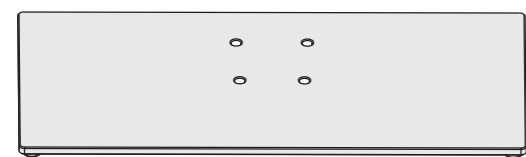
Remote control and two AAA batteries



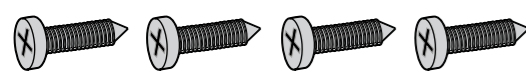
Stand column



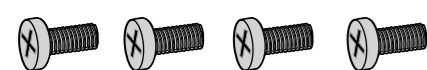
Stand base



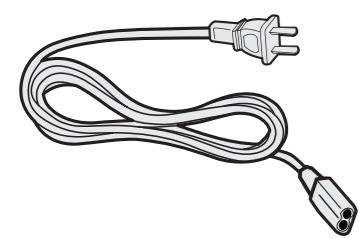
ST4 screws (16 mm length) (4 pcs.)



M5 screws (12 mm length) (4 pcs.)

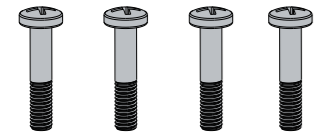


Power cord

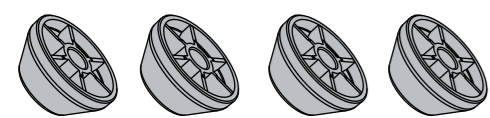


WALL MOUNT ACCESSORIES

M6 screws (30 mm length) (4 pcs.)



Spacers (4 pcs.)



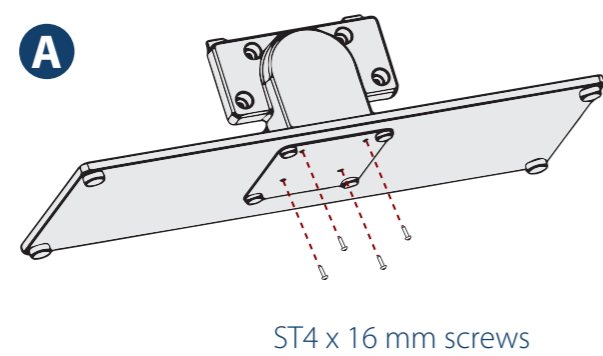
FIND YOUR USER GUIDE ONLINE!
Go to www.insigniaproducts.com, then click **Support & Service**. Enter **NS-40D420NA16** in the box under **Manual, Firmware, Drivers & Product Information**, then click ▶. The **NS-40D420MX16** comes with a printed manual.

STOP
Do not plug your power cord in until all other devices have been connected.

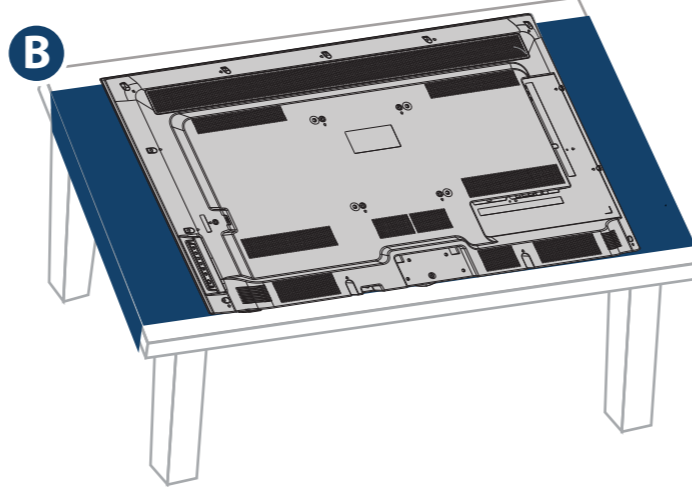
1 START HERE

How do I attach the stand to my TV? (not for wall mounting)
You'll need: Soft surface and Phillips screwdriver

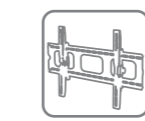
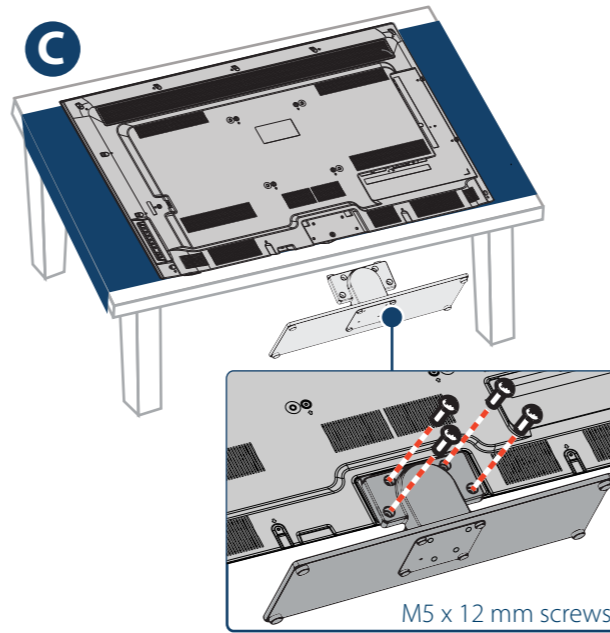
A Align the stand column with the stand base, then secure the column to the base with the four provided (ST4 x 16 mm) screws (the long screws).



B Carefully place your TV face-down on a cushioned, clean surface.



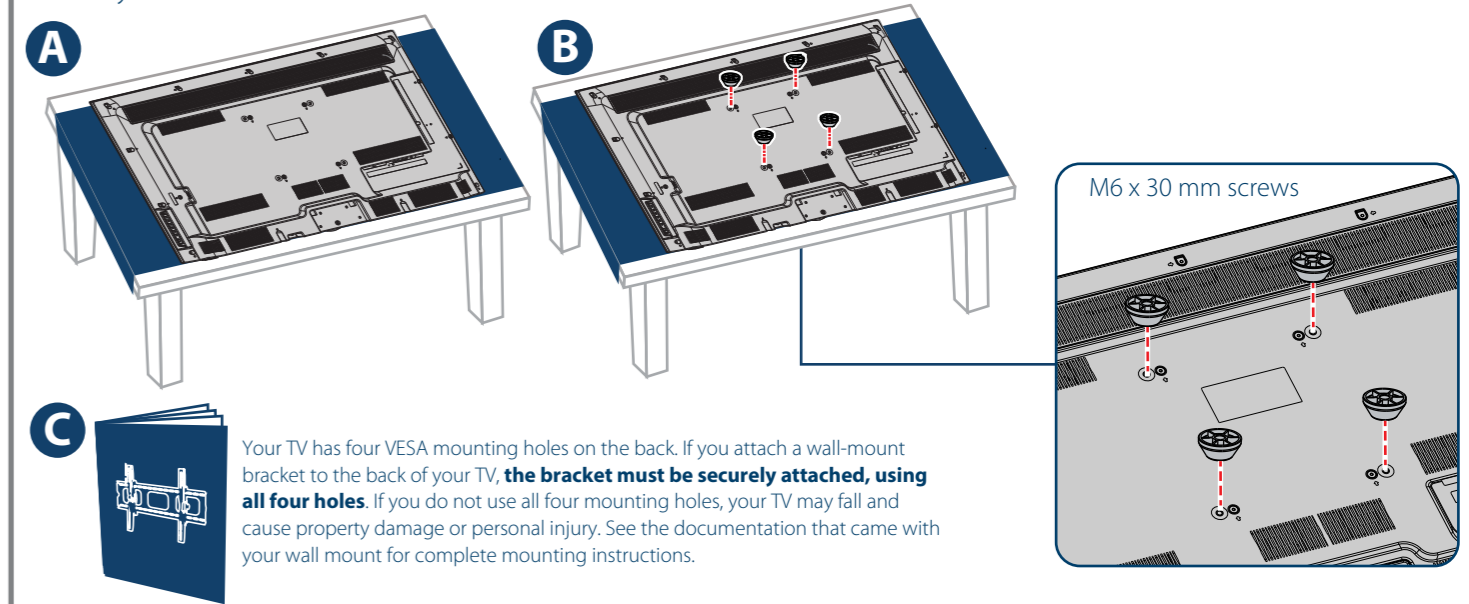
C Align the screw holes on the stand column with the holes on the back of your TV, then secure the column to your TV with the four provided M5 x 12 mm screws (the short screws).



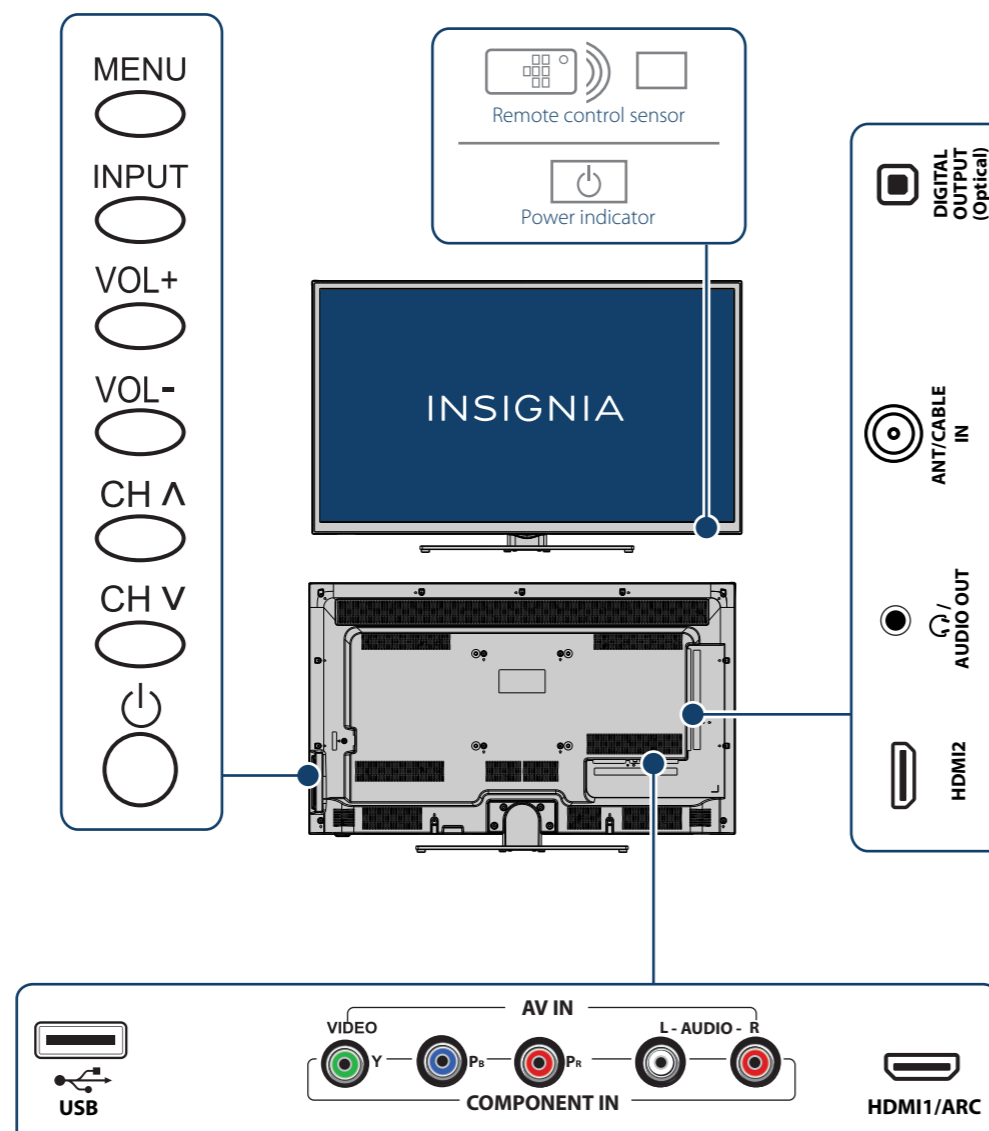
WALL MOUNT

How do I prepare my TV for wall mounting? (not for use with a TV stand)
You'll need: Soft surface and Phillips screwdriver

A Carefully place your TV face-down on a cushioned, clean surface.
B Insert four spacers (provided) into the mount screw holes on the back of your TV, then attach the wall-mount bracket to your TV using either the four M6 x 30 mm screws (provided) or the screws that came with the wall-mount bracket. See instructions that came with the wall-mount bracket for information about which screws to use and how to correctly hang your TV.
Warning: This apparatus is intended to be supported by a UL Listed wall-mount bracket.
C See the instructions that came with your wall mount for more information about how to correctly mount your TV.



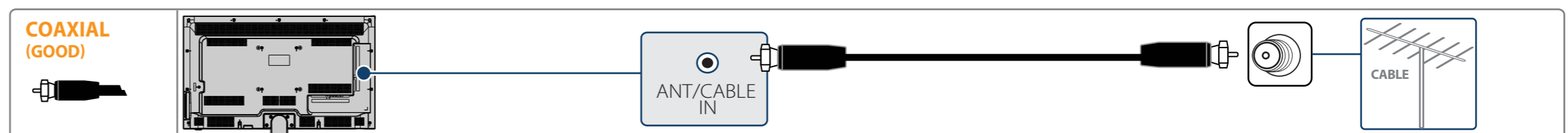
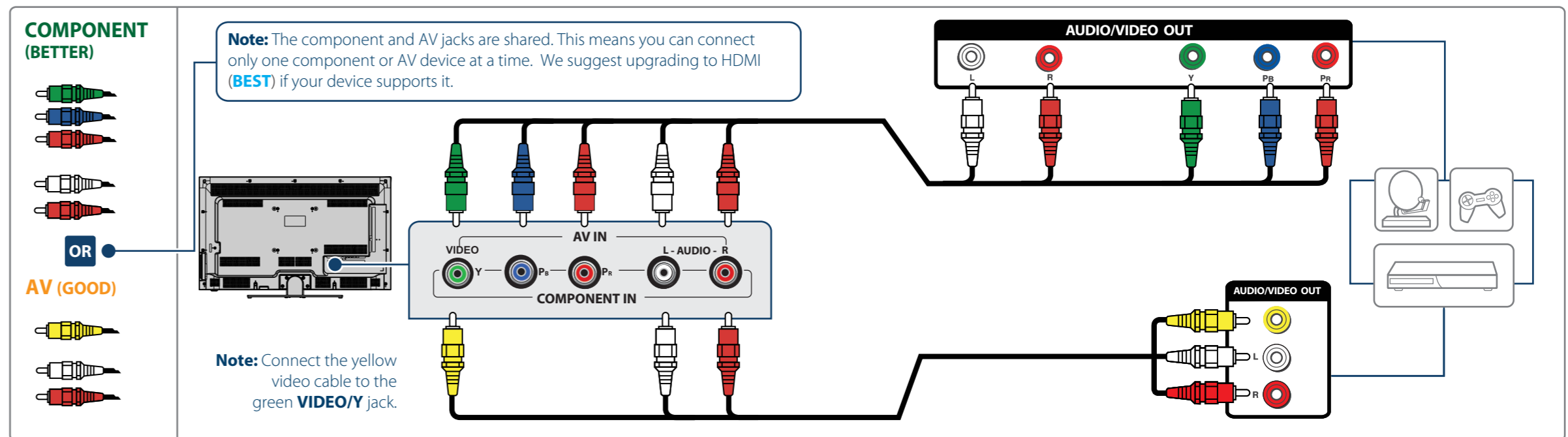
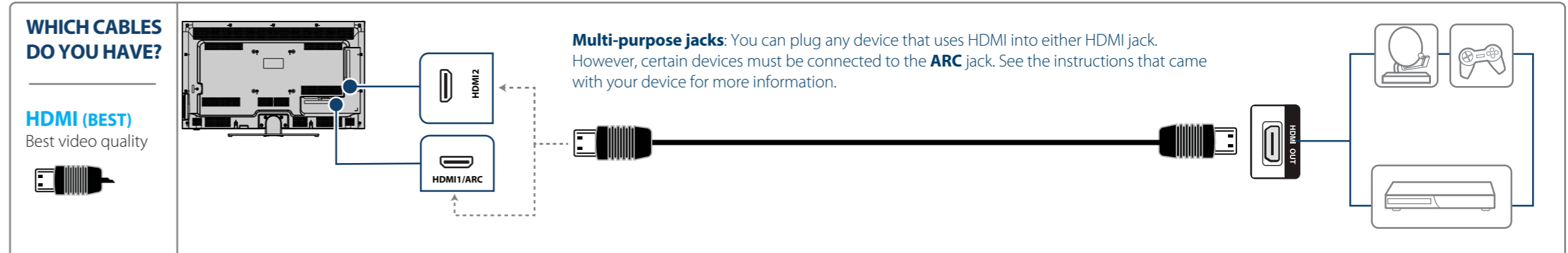
FEATURES



Before using your new product, please read these instructions to prevent any damage.

2 MAKING CONNECTIONS

How do I watch TV (cable, satellite, or antenna) or connect a device such as a DVD or Blu-ray disc player or game console?

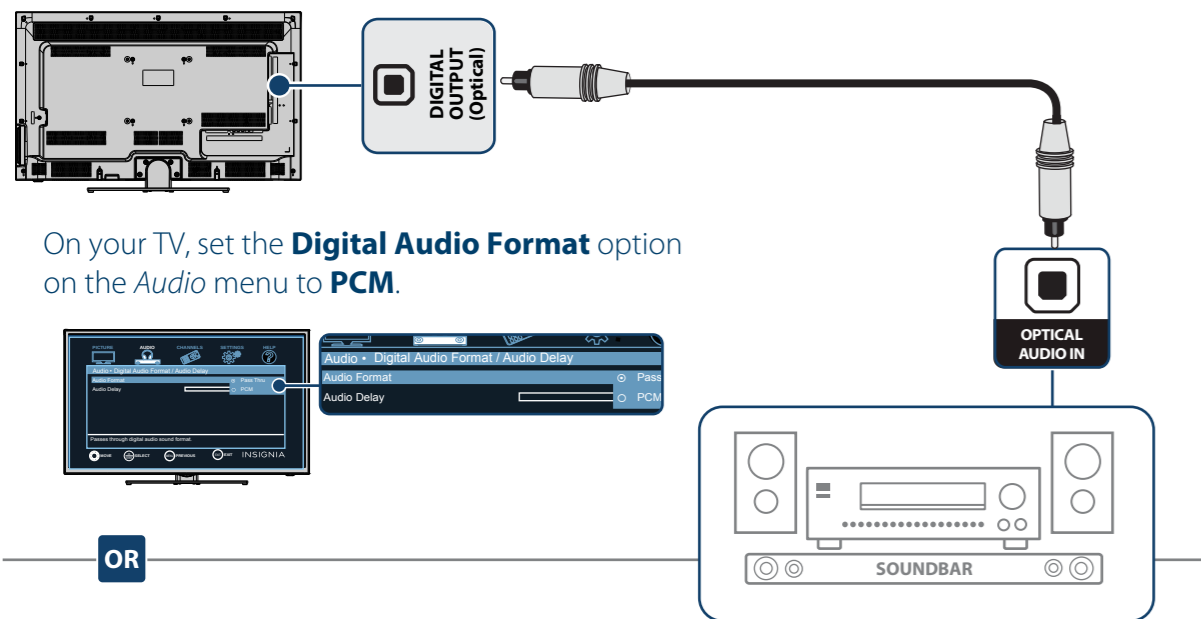


3

CONNECTING AUDIO DEVICES

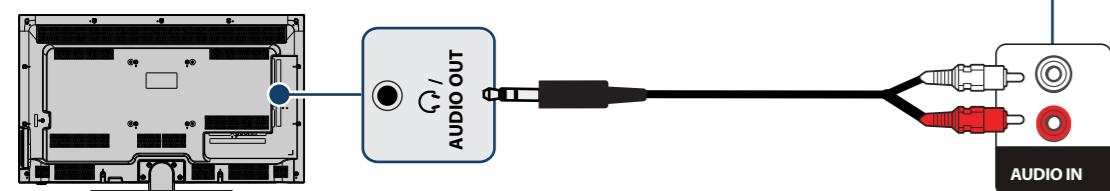
How do I connect my TV to external speakers?

USING DIGITAL AUDIO



Note: See the instructions that came with your speakers for more information.

USING ANALOG AUDIO



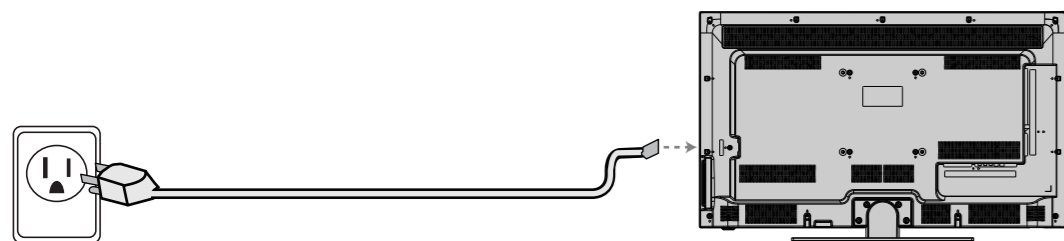
4

TURNING ON MY TV

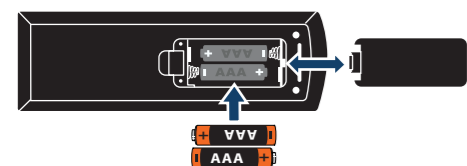
When can I turn on my TV?

WHEN YOUR TV IS IN PLACE:

- 1 Plug one end of the power cord into the power connector on the back of your TV and the other end into a power outlet.

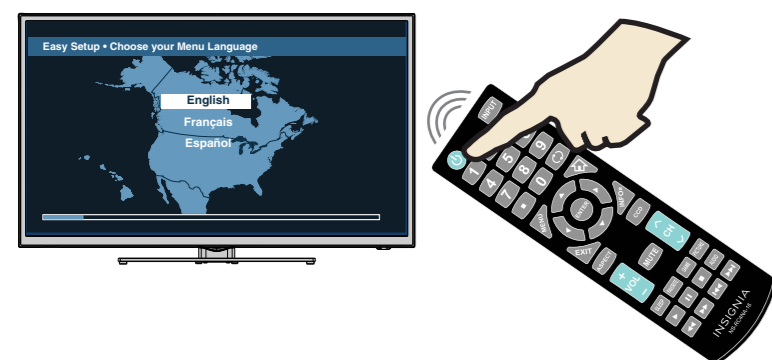


- 2 Remove the remote control cover and install the batteries.



- 3 Press (power) on your remote control.

- 4 Follow the on-screen instructions.



USING YOUR REMOTE CONTROL

INPUT SOURCE

- TV
- HDMI1
- HDMI2
- Component/AV
- USB(Photos)

- Power**: Turns your TV on or off.
- INPUT**: Opens the *INPUT SOURCE* list.
- Numbers**: Enter channel numbers.
- Recall**: Returns to the previous channel.
- Arrows**: Navigate in TV menus.
- Home**: Opens the TV menu.
- ENTER**: Confirms selections or changes.
- EXIT**: Closes the TV menu.
- INFO***: Opens a TV status banner.
- ASPECT**: Changes how the picture is displayed on the screen.
- Volume**: Changes the volume.
- FAVORITE**: Opens the Favorite Channel List.
- SLEEP**: Sets the sleep timer.
- Media Controls**: USB – Control the photo slideshow. INlink – Control HDMI-CEC devices connected to your TV.
- Channel**: Changes the TV channels.
- Game**: Adjusts the picture for the ultimate gaming experience.
- PICTURE**: Selects the picture mode.
- AUDIO**: Selects the audio mode.
- CCD**: Turns closed captioning on or off.
- MUTE**: Mutes the sound.

What are my screen-size options?

- NORMAL**: Original aspect ratio is preserved. You might see black bars if the original content is not widescreen (16:9).
- ZOOM**: Expands the image to fill the screen. The top and bottom of the image may be cropped.
- WIDE**: Use to watch content that was recorded in widescreen (16:9).
- CINEMA**: Stretches the image at the edges, but keeps a clear image in the center.
- AUTO**: Automatically adjusts the image based on the screen size and the TV program. Select this option if you don't know which aspect ratio to choose.

Note: Auto is only available when **Aspect Ratio** in the *Channels* menu is set to **On**.

I already have a universal remote control. How do I make it control this TV?

If you already have a universal remote control that you would like to program to work with your TV and don't want to use the included Insignia remote control, see the table for common codes.

UNIVERSAL REMOTE TV CODES	
CABLE BOX, SATELLITE BOX, OR OTHER SET-TOP BOX	
Cablevision	068, 069, 078, 096, 100, 164, 168, 229, 026
Charter	2002, 1204, 1423, 1517, 0171, 1963, 0463, 1463, 0842, 1326, 167, 415, 424, 450, 456, 461, 507, 523, 567, 577, 586
Comcast	10171, 11204, 11326, 11463, 11517, 11641, 11780, 11785, 11892, 11963, 12002
Cox	1326, 1463
Direct TV	10171, 11204, 11326, 11517, 11564, 11641, 11963, 12002
Dish Network	720
Time Warner	400, 450, 461, 456, 10463, 1463, 0463
Tivo	0091
Verizon	0198, 0490
UNIVERSAL REMOTE CONTROLS	
One for All	0054
Philips	0198, 0490
RCA	135
Sony	068, 069, 078, 096, 100, 164, 168, 229, 026



For an up-to-date list of codes for other cable providers and universal remote brands, scan this **QR code** or visit www.insigniaproducts.com/remotecodes

INSIGNIA™

ONE-YEAR LIMITED WARRANTY
Visit www.insigniaproducts.com for details.

NEED ADDITIONAL HELP?
See your **User Guide!** This comprehensive guide includes everything from basic how-to steps to more advanced features. A copy of the NS-40D420NA16 *User Guide* is not provided in the box but is available online. Go to www.insigniaproducts.com, then click **Support & Service**. Enter **NS-40D420NA16** in the box under *Manual, Firmware, Drivers & Product Information*, then click ▶. The **NS-40D420MX16** comes with a printed manual.

Check out our **Support Community** <http://community.insigniaproducts.com/> for helpful information from other Insignia TV owners.

WE'RE HERE FOR YOU
www.insigniaproducts.com
For customer service, call:
877-467-4289 (U.S./Canada)
01800-926-3000 (México)

U.S. and Canada:
INSIGNIA is a trademark of Best Buy and its affiliated companies.
Registered in some countries.
Distributed by Best Buy Purchasing, LLC
7601 Penn Ave South, Richfield, MN 55423 U.S.A.

Mexico:
INSIGNIA is a trademark of Best Buy and its affiliated companies.
Registered in some countries.
Distributed by Best Buy Imports S. De R.I. De C.V.
Avenida Santa Fe No. 440 Piso 2 Ofna 202 Y 203 P3 Y P4
Colonia Santa Fe Cuajimalpa, C. P. 05348,
Delegación Cuajimalpa De Morelos,
Mexico, Distrito Federal

©2015 Best Buy. All rights reserved.
Made in China