

User Guide



Soundbar Home Theater System

NS-SBAR/NS-SBAR-A



Contents

Introduction	1
Safety information	1
Important safety instructions	1
Soundbar precautions	1
Placement	1
Using close to a TV or computer	2
Features	2
Active Speaker System	2
Rocketboost™ Wireless Card Ready	2
What is Rocketboost™?	2
Audyssey Technologies	2
Soundbar elements	2
Package contents	2
Top panel	3
Front panel	4
Back panel	4
Remote control	5
Setting up your soundbar	5
Connecting to an external sound source	5
Connecting a subwoofer	5
Connecting power	6
Installing the wall mount bracket	6
Installing the soundbar feet	6
Using your soundbar	6
Turning on the power	6
Adjusting the Volume	6
Muting the sound	7
Selecting Inputs	7
Adjusting Audyssey Dynamic Volume	7
Using Rocketboost	7
How can I use Rocketboost with the soundbar?	7
Initial Rocketboost setup	7
Listening to music from other Rocketboost products	7
Sending audio from the soundbar to other Rocketboost products ..	8
Listening to the soundbar audio in another room or through Rocketboost enabled headphones	8
Additional Rocketboost setup information	8
Care and maintenance	9
Troubleshooting	9
Specifications	9
Legal notices	9
One-year limited warranty	11

NS-SBAR/NS-SBAR-A

Soundbar Home Theater System

Introduction

Congratulations on your purchase of a high quality Insignia product. Your NS-SBAR or NS-SBAR-A Home Theater Speaker System represents the state-of-the-art in home theater soundbar design and is designed for reliable and trouble-free performance. It will provide outstanding performance and years of listening enjoyment. Take time to read through this manual to make sure you get the maximum performance from your new soundbar system.

Safety information



Warning

To reduce the risk of electric shock, do not disassemble. No user serviceable parts inside. Refer servicing to qualified service personnel.

To reduce the risk of fire or electric shock, do not expose your soundbar to rain or moisture. Dangerous high voltages are present inside the enclosure.

Do not open the cabinet.



Caution

To prevent electric shock, match the wide blade on the power cord plug to the wide slot on an electric outlet. If the plug does not fit, consult a licensed electrician to replace the obsolete outlet. Do not modify the power cord plug, or you will defeat this safety feature.


When replacing the direct plug-in power supply or a separable, cord-connected power supply, the replacement must be an exact duplicate or one which has been recommended by the manufacturer.



The lightning flash with arrowhead symbol within an equilateral triangle is intended to alert you to the presence of uninsulated dangerous voltage within your player's enclosure that may be of sufficient magnitude to constitute a risk of electric shock to persons.

Important safety instructions

- 1 Read these instructions.
- 2 Keep these instructions.
- 3 Heed all warnings.
- 4 Follow all instructions.
- 5 Do not use this apparatus near water.
- 6 Clean only with a dry cloth.

- 7 Do not block any ventilation openings. Install in accordance with the manufacturer's instructions.
- 8 Do not defeat the safety purpose of the polarized or grounding-type plug. A polarized plug has two blades with one wider than the other. A grounding type plug has two blades and a third grounding prong. The wide blade or the third prong are provided for your safety. If the provided plug does not fit into your outlet, consult an electrician for replacement of the obsolete outlet.
- 9 Protect the power cord from being walked on or pinched particularly at plugs, convenience receptacles, and the point where they exit from the apparatus.
- 10 Only use attachments/accessories specified by the manufacturer.
- 11 Use only with the cart, stand, tripod, bracket, or table specified by the manufacturer, or sold with the apparatus. When a cart is used, use caution when moving the cart/apparatus combination to avoid injury from tip-over. 
- 12 Unplug this apparatus during lightning storms or when unused for long periods of time.
- 13 Refer all servicing to qualified service personnel. Servicing is required when the apparatus has been damaged in any way, such as power-supply cord or plug is damaged, liquid has been spilled or objects have fallen into the apparatus, the apparatus has been exposed to rain or moisture, does not operate normally, or has been dropped.
- 14 To reduce the risk of fire or electric shock, do not expose your soundbar to rain, moisture, dripping, or splashing, and no objects filled with liquids, such as vases, shall be placed on them.
- 15 The wall plug is the disconnecting device. The plug must remain readily operable.

Soundbar precautions

Placement

- The soundbar cabinet is made out of plastic and is therefore sensitive to extreme temperatures and humidity, do not put it in locations subject to direct sunlight or in humid places, such as near an air conditioner, humidifier, bathroom, or kitchen.
- Do not put water or other liquids close to the soundbar. If liquid is spilled over the soundbar, it may be damaged.
- The soundbar should be placed on a sturdy, flat surface that is free from vibration, or mounted on a wall (see "Installing the wall mount bracket" on page 6). Do not put the soundbar on an uneven or unstable surface, where it may fall and cause damage.

Using close to a TV or computer

Some older TVs and computer monitors are magnetically sensitive devices and as such are likely to suffer discoloration or picture distortion when conventional speakers are placed nearby. If discoloration problems persist, try moving the soundbar away from your TV or monitor.

Features

Active Speaker System

This unit provides high quality sound in a slim design, which matches today's flat panel TVs.

Rocketboost™ Wireless Card Ready

Installing a Rocketboost™ Wireless Card (card sold separately) enables this product to send and receive wireless audio with your other Rocketboost™ products.



What is Rocketboost™?

Rocketboost™ is expandable wireless digital audio.

- Products with Rocketboost™ technology let you easily expand your listening experience throughout your home.
- Rocketboost™ does not interfere with other wireless products in your home.
- Rocketboost™ is uncompressed digital audio compatible with all audio formats such as Dolby, TrueHD, and DTS-HD Master Audio used with Blu-ray.

When you see the Rocketboost™ logo on any product, it has been designed to work with other Rocketboost™ products, no matter who manufactures them.

Audyssey Technologies

Audyssey EQ



Audyssey EQ corrects problems that arise from speaker drivers and enclosures and is calibrated to account for the acoustical problems in a typical listening environment.

Audyssey Dynamic EQ



When volume is turned down, Audyssey Dynamic EQ keeps the perceived bass response and tonal balance.

Audyssey Dynamic Volume



Audyssey Dynamic Volume removes volume spikes, such as blaring commercials or movie explosions, and turns up soft dialogue so it is easier to hear.

Audyssey BassXT



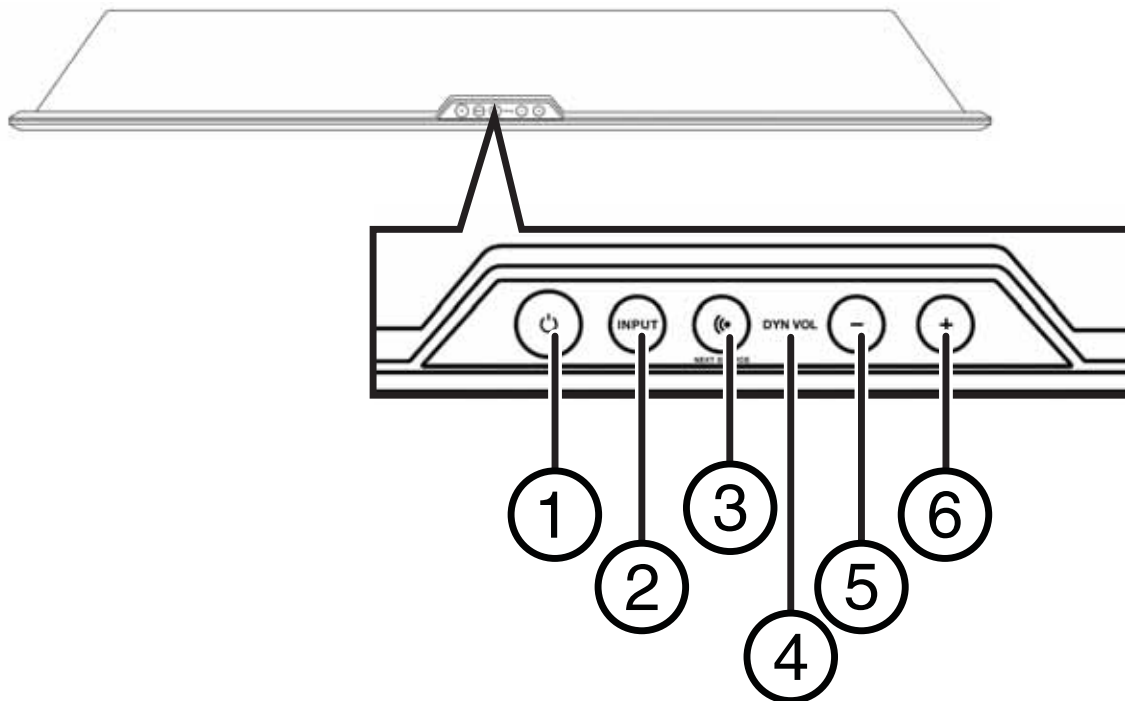
Audyssey BassXT provides deeper bass by intelligently monitoring incoming audio signals and extending the bass to its maximum limits. This enables the system to produce lower frequencies than is usually possible.

Soundbar elements

Package contents

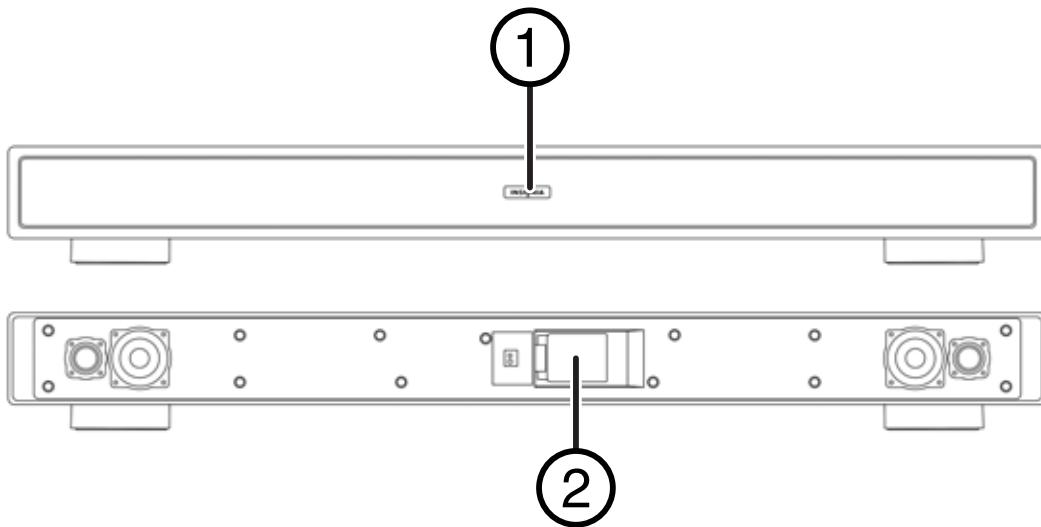
- Soundbar
- Soundbar feet (2)
- Remote control
- AAA batteries (2)
- Wall Mounting Brackets
- Wall Mounting Template
- AC Power Cable
- Power Supply
- RCA Stereo Cable
- INcontrol Cable
- *User Guide*

Top panel



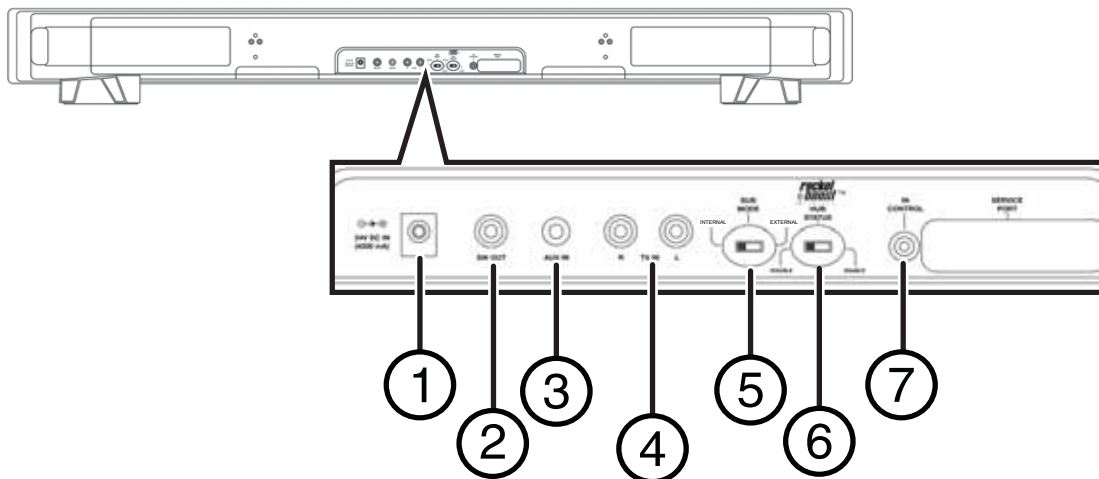
#	Item	Description
	Power/Standby/Wireless Device Joining button	Press to turn the soundbar on. Press again to turn the soundbar to standby. Also used to join Rocketboost wireless devices.
①	Power indicator	The soundbar Power indicator lights green if the soundbar Hub Status switch is Enabled , and lights blue if the soundbar Hub Status switch is Disabled .
②	Input button	Press to toggle between the audio devices connected to the sound bar (TV or AUX input). If the Rocketboost Wireless card is installed, then pressing this toggles between TV, AUX, and Rocketboost inputs.
③	Rocketboost Wireless Next Source button	When using Rocketboost, press to switch between different Rocketboost sound sources.
④	Audyssey Dynamic Volume indicator	Three different colors indicate three levels of adjustment: <ul style="list-style-type: none"> No light indicates that Audyssey Dynamic Volume is off. Green indicates that Audyssey Dynamic Volume is set to light. Yellow indicates that Audyssey Dynamic Volume is set to medium. Red indicates that Audyssey Dynamic Volume is set to heavy.
⑤	Volume Down	Press to turn down the volume.
⑥	Volume Up	Press to turn up the volume.

Front panel



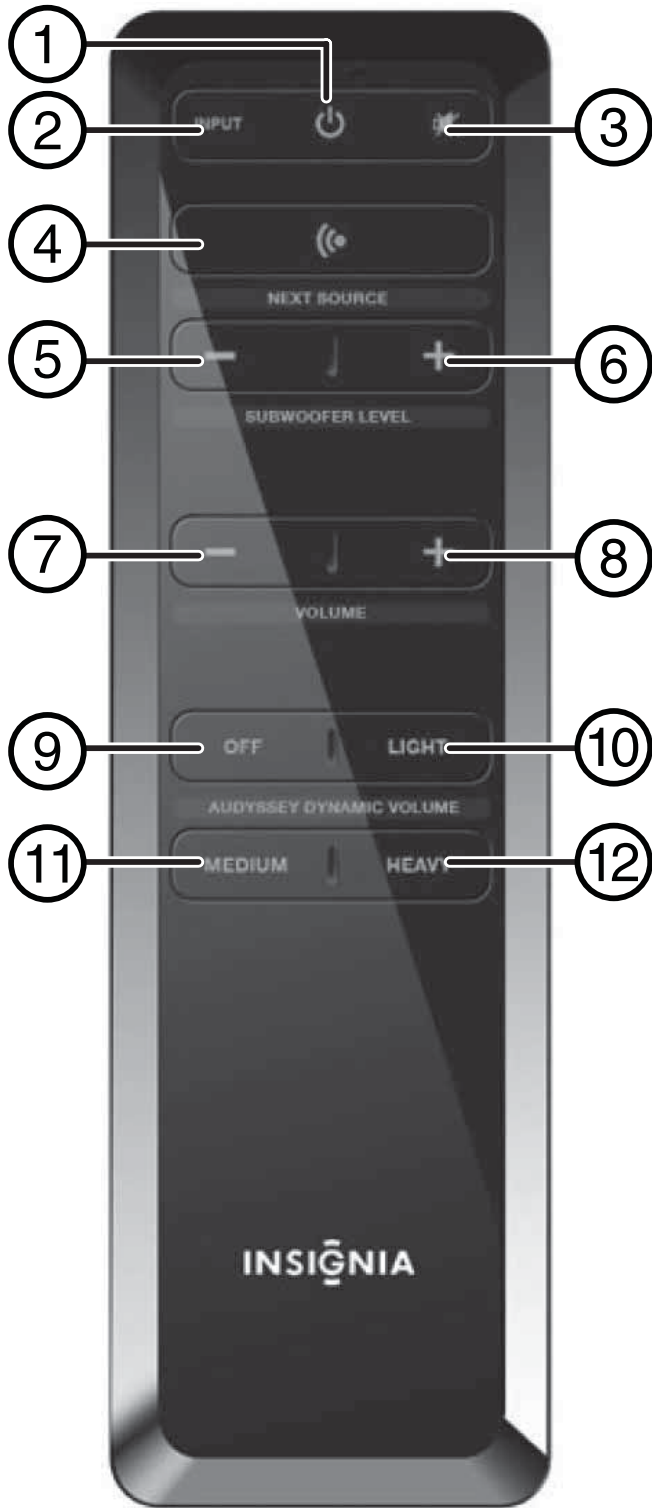
#	Item	Description
①	Remote control indicator	Blinks red when remote control commands are received.
②	Rocketboost Wireless Card Ready Slot	Accepts Rocketboost Wireless Card (sold separately). Remove the grill for access.

Back panel



#	Item	Description
①	Power connector	Plug the power supply cable into this jack.
②	Analog Subwoofer Output jack	Connect a powered subwoofer (not included) to this jack.
③	Aux Device jack	Connect an external sound source, such as an MP3 player, to this jack.
④	AUDIO IN L/R	Connect the audio output from a TV or stereo to these jacks.
⑤	Subwoofer Mode switch	Slide to the INTERNAL position when using the internal Audyssey BassXT powered subwoofer. Slide to the EXTERNAL position if you are using an external subwoofer.
⑥	Rocketboost Hub Status switch	Enables/disables Rocketboost hub mode operation. See "Initial Rocketboost setup" on page 7 for more information. (Note: this feature is only available when a Rocketboost card is installed.)
⑦	INcontrol jack	Use the INcontrol cable supplied with the soundbar to connect between the INcontrol jack on the soundbar and the INcontrol jack on the TV

Remote control



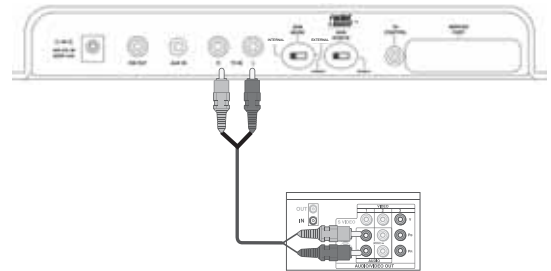
#	Item	Description
④	Rocketboost Wireless Next Source button	When using Rocketboost, press to switch between different Rocketboost sound sources.
⑤	Subwoofer Level -	Press to turn down the level of the subwoofer.
⑥	Subwoofer Level +	Press to turn up the level of the subwoofer.
⑦	Speaker Volume -	Press to turn down the volume of the soundbar.
⑧	Speaker Volume +	Press to turn up the volume of the soundbar.
⑨	Audyssey Dynamic Volume Off	Press to turn off the Audyssey Dynamic Volume control.
⑩	Audyssey Dynamic Volume Light	Press to turn the Audyssey Dynamic Volume control to light.
⑪	Audyssey Dynamic Volume Medium	Press to turn the Audyssey Dynamic Volume control to medium.
⑫	Audyssey Dynamic Volume Heavy	Press to turn the Audyssey Dynamic Volume control to heavy.

Setting up your soundbar

Connecting to an external sound source

To connect an external sound source:

- 1 Plug an audio cable (with RCA connectors) into the **AUDIO OUT L/R** jacks on the TV, stereo, or other sound source.



- 2 Plug the other end of the cables into the **AUDIO IN L/R** jacks on the soundbar. You can also connect another audio source, such as an mp3 player, to the AUX device jack, using a 3.5 mm to 3.5 mm audio cable.
- 3 Press the **INPUT** button to select the sound source you want.

Connecting a subwoofer

Note

The soundbar includes a built-in Audyssey BassXT enabled subwoofer speaker that provides deep bass response that meets most user's needs for music and movies. For even more bass, you can add an external subwoofer (sold separately).

To connect a subwoofer to the soundbar:

- 1 On the back of the soundbar, slide the **Subwoofer Mode** switch to the **EXTERNAL** position (See "Back panel" on page 4).
- 2 Plug your subwoofer into the **Subwoofer Output** jack on the back of the soundbar.

#	Item	Description
①	⏻ (Power)	Press to turn on your soundbar. Press again to put your soundbar in standby mode.
②	INPUT	Press to toggle between the audio devices connected to the sound bar (TV or AUX input). If the Rocketboost Wireless card is installed, then pressing this toggles between TV, AUX, and Rocketboost inputs.
③	MUTE	Press to mute the soundbar. Press again to resume normal volume.

- Turn on your subwoofer.

Note

With the Rocketboost Ready card accessory installed (sold separately), you can use Rocketboost to connect to a Rocketboost enabled subwoofer. See "Using Rocketboost" on page 7, for more information.

Connecting power

To connect power to your soundbar:

- Connect the power supply to the power supply jack on the soundbar.
- Connect one end of the AC power cable to the power supply and then plug the other end into a power outlet. The standby indicator on the soundbar turns on.

Installing the wall mount bracket

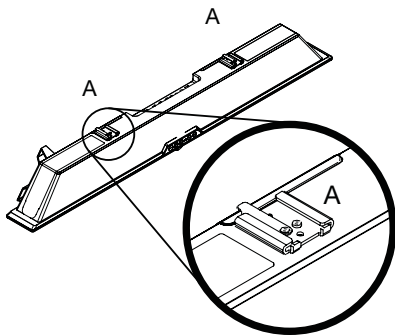
You can use the included wall mount brackets (A and B) to mount this soundbar on a wall.

Warning

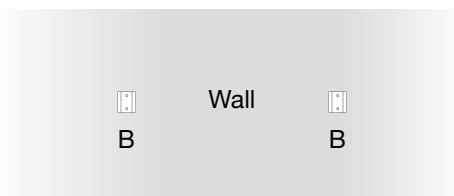
Improper installation can result in serious injury or damage to your soundbar. If necessary, please seek the assistance of a professional.

To install the soundbar on a wall:

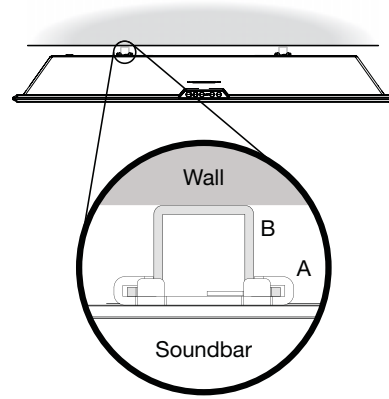
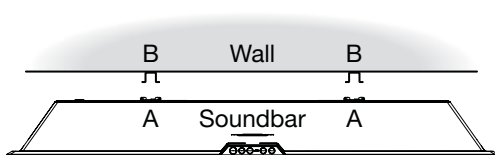
- Secure bracket parts A to the soundbar with screws (included).



- Use the bracket template to determine position on wall for bracket parts B. Secure bracket parts B to the wall with four screws (not included). You must use suitable wall anchors if you are mounting on drywall, concrete, or other wall types.



- Fit the soundbar to the wall by sliding it down and making sure of a secure fit between bracket parts A and B.

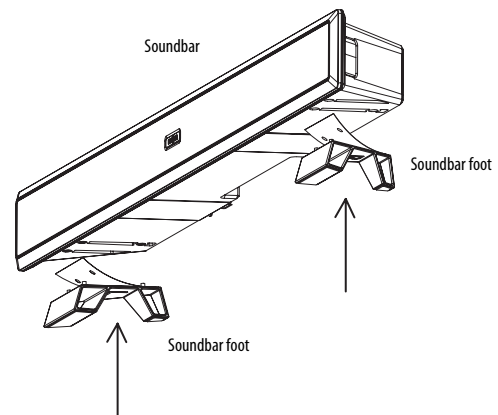


Installing the soundbar feet

If you do not mount the soundbar to a wall, you will need to attach the feet (included) to the soundbar, so that it will sit evenly on a flat surface.

To install the soundbar feet:

- Turn the soundbar over.
- Remove the protective paper from the soundbar feet (2) to reveal the adhesive strip.
- Align the posts on the soundbar feet with the holes in the bottom of the soundbar, then press the soundbar feet onto the bottom of the soundbar.



Using your soundbar

Turning on the power

- Press the **Power** button on the top of the unit or press the **Power** button on the remote control to turn on the soundbar.
- Press the **Power** button on the top of the unit or press the **Power** button on the remote control to put the soundbar in Standby mode.

Adjusting the Volume

Press the **Volume Up** button to increase the volume or the **Volume Down** button to decrease the volume.

- Or -

Using the remote control, press the **Volume +** button to increase the volume or the **Volume -** button to decrease the volume.

Muting the sound

Press the **MUTE** button on the remote control or on the soundbar to mute the sound. Press the **Volume +** button or the **MUTE** button to restore sound.

Selecting Inputs

To choose from the available inputs of the soundbar, press the **INPUT** button on the remote control or on the top of the soundbar.

To select wireless audio sources on the Rocket Boost network use the **Wireless Next Source** button on the remote control or on the soundbar.

Note

Only available when a Rocketboost card is installed.

Adjusting Audyssey Dynamic Volume

Audyssey Dynamic Volume removes volume spikes, such as blaring commercials or movie explosions and turns up soft dialogue so it is easier to hear. Three levels of dynamic volume help you adjust to different listening situations.

- **Audyssey Dynamic Volume Light**—This should be used when you want to watch a movie with the family. It will only tame the very loudest explosions and boost only the very quietest dialogue.
- **Audyssey Dynamic Volume Medium**—We recommend this as the default choice. This level is good for typical television viewing. The volume of commercials and stations will sound the same.
- **Audyssey Dynamic Volume Heavy**—This has the greatest impact on the volume. This is most helpful when watching movies or television late at night, while others are sleeping. Explosions are dramatically reduced while the quiet moments are increased.

Using Rocketboost

When you see the Rocketboost logo on any product, it has been designed to work with other Rocketboost products, no matter who manufactures them.

How can I use Rocketboost with the soundbar?

After you install the Rocketboost Wireless Card (RF-RBCARD, sold separately) the soundbar can receive any Rocketboost audio stream from your other Rocketboost products. For example, you can play music from audio sources that are in other rooms.

Plus, the Rocketboost Wireless card can be used to send audio from the soundbar. For example, you can connect your subwoofer, by using Rocketboost wireless instead of wires. You can learn more about Rocketboost products at www.rocketboost.com.

Initial Rocketboost setup

Remove the front speaker grill cover from the soundbar and insert a Rocketboost Wireless Card (RF-RBCARD, sold separately). To remove the grill cover, grip the glossy edges of the grill cover with each hand and pull forward evenly. The card connector is keyed so it can only be installed one way. When inserting the card, make sure that it is oriented so the Rocketboost logo on the card is facing you.

Note

Every Rocketboost network must contain a device called a *Hub*, which directs network data traffic and helps devices join the network. The network can have only one hub, which is selected using the Hub Status switch on the back of all Rocketboost senders.

If you are setting up your network for the first time choose one of your Rocketboost senders to be your hub by setting the **Hub Status** switch to **Enable**. For example, if you want the soundbar to be the hub, set the **Hub Status** switch on the soundbar to **Enable**.

If you already have a Rocketboost network established, set the **Hub Status** switch on the soundbar to **Disable**.

The soundbar Power indicator lights green if the soundbar **Hub Status** switch is **Enabled**, and lights blue if the soundbar **Hub Status** switch is **Disabled**.

Note

Every new Rocketboost device you add to your Rocketboost network must be "joined" to your Rocketboost hub device.

To establish communications with other Rocketboost devices:

- 1 If possible, bring your existing Rocketboost Hub device, or the new Rocketboost device to which you'd like to join into the same room as the soundbar.
- 2 Press the **Power** button on the soundbar to turn it on.
- 3 Press the **Power** button on your other Rocketboost device to turn it on.
- 4 Press and hold the **Power/Join** button on the soundbar to initiate joining mode, then press and hold the **Power/Join** button on your other Rocketboost device (the devices will remain in joining mode for 30 seconds). The power indicator LEDs on both products will begin blinking rapidly.
 - When successfully joined, the power indicator LEDs on both products will stop blinking and stay on.
 - If joining fails after 30 seconds, the power indicator LED on the soundbar will begin flashing at a slower rate. If this occurs, repeat the above steps.

Listening to music from other Rocketboost products

To listen to music from other Rocketboost products:

- 1 Press the **Power** button on the soundbar to turn it on.

- 2 Turn on your other Rocketboost sender device (sold separately) and make sure the audio source connected to that device is active.
- 3 Press the **Next Source** button on the remote control to select the Rocketboost input source.
 - If there are multiple Rocketboost sources, you may need to press the **Next Source** button on the soundbar to find the source you want to listen to. Each press will cycle through the available Rocketboost sources.

Sending audio from the soundbar to other Rocketboost products

The selected soundbar audio signal, from either the Television or AUX, is automatically sent on the Rocketboost network.

The soundbar sends two separate audio signals on the Rocketboost network:

- One of the audio signals is designed for use with a subwoofer. This signal is low bass frequency content only and this signal's volume level is set to the same volume as the soundbar. That way your soundbar and subwoofer are correctly set to the same volume level and the subwoofer volume level is easily controlled by the soundbar volume control.
- The second audio signal is designed for listening to the soundbar audio in a second room or with headphones that have their own volume control. This signal's volume level is fixed and does not change with the soundbar volume control. For example, you would use this signal if you are listening to the soundbar's audio signal in another room, and that room's amplifier has its own volume control.

Both audio signals are automatically sent on the Rocketboost network. Every Rocketboost receiver can receive both of these signals. Press the **Next Source** button on your other Rocketboost product until you hear the signal you want (for example the low frequency signal for the subwoofer.)

To connect a subwoofer using Rocketboost:

Note

You can wirelessly connect to a Rocketboost enabled subwoofer or to a typical wired subwoofer. The following instructions are for connecting to a typical wired subwoofer. If you are using a Rocketboost enabled subwoofer, refer to the user guide for that product.

- 1 Set the **Subwoofer Mode Switch** on the back of the soundbar to the **EXTERNAL** position.
- 2 Connect a Rocketboost sender/receiver (RF-RBAUX, sold separately) to your subwoofer. Do this by connecting the output signal of RF-RBAUX to the input signal of the subwoofer.

Note

You will need to use the dual RCA adapter cable supplied with the RF-RBAUX. When using this connect either the left (white) or the right (red) audio signal to your subwoofer.

- 3 Follow the steps To establish communications with other Rocketboost devices (see above) to connect the RF-RBAUX to your Rocketboost network.

- 4 Turn on your soundbar and subwoofer and play music or a movie that you can easily hear the bass sound on.
- 5 Press the **Next Source** button on the RF-RBAUX to select the soundbar's subwoofer audio signal. You may have to press **Next Source** multiple times until you hear the soundbar's subwoofer audio.
- 6 The soundbar sends both a subwoofer signal (volume controlled by the soundbar) and a second room audio signal (not volume controlled by the soundbar). To confirm you are connected to the subwoofer signal, use the soundbar remote control to turn the volume up and down, and listen to make sure that the subwoofer volume level changes. If it does not, press **Next Source** on the RF-RBAUX to select the other audio signal from the soundbar. Also, when the RF-RBAUX first connects to the subwoofer signal, the Audyssey Dynamic Volume Green Indicator LED will flash three times.

Listening to the soundbar audio in another room or through Rocketboost enabled headphones

To listen to the soundbar audio in another room or through Rocketboost enabled headphones:

- 1 Connect and setup your other Rocketboost product (see user guide for that product for more details).
- 2 Turn on your soundbar and play any audio.
- 3 Press the **Next Source** button on your other Rocketboost device until you hear the soundbar's audio signal. You may have to press **Next Source** multiple times until you hear the soundbar's audio. Also, when the RF-RBAUX first connects to the soundbar's audio signal, the Audyssey Dynamic Volume Red Indicator LED will flash three times.

Additional Rocketboost setup information

The soundbar is pre configured with both the subwoofer and second room Rocketboost audio signals turned on. For users that don't need these signals sent on the Rocketboost network (for example if you are not using the second room audio signal from the soundbar) you can turn off either of these signals.

To turn off the subwoofer signal:

- 1 On the soundbar, press both the **Wireless Next Source** button and the **Volume Up** button for five or more seconds.
- 2 The Audyssey Dynamic Volume Green indicator LED will briefly flash on/off twice, to show that the subwoofer signal is now off.

To turn on the subwoofer signal:

- 1 On the soundbar, press both the **Wireless Next Source** button and the **Volume Up** button for five or more seconds.
- 2 The Audyssey Dynamic Volume Green indicator LED will briefly turn on to show that the subwoofer signal is now on.

To turn off the second room signal:

- 1 On the soundbar, press both the **Wireless Next Source** button and the **Volume Down** button for five or more seconds.
- 2 The Audyssey Dynamic Volume Red indicator LED will briefly flash on/off twice, to show that the second room signal is now off.

To turn on the second room signal:

- 1 On the soundbar, press both the **Wireless Next Source** button and the **Volume Down** button for five or more seconds.
- 2 The Audyssey Dynamic Volume Red indicator LED will briefly turn on to show that the second room signal is now on.

Specifications

Length	38 in (965 mm)
Depth	4.6 in (117 mm) without wall mount bracket 5.5 in (139.7 mm) with wall mount bracket
Height	3.4 in (86 mm) without mounting feet 4.3 in (109.2 mm) with mounting feet
Total power	120 W (< 3% THD+N)
Power per channel	30 W for L and R channels 60 W for subwoofer
Speakers	2 x 0.75" tweeters 2 x 2.0" midranges 2 x 3.5" woofers

Care and maintenance

Use the following guidelines to maintain the appearance of your soundbar:

- Use a soft, dry cloth to clean the soundbar.
- Avoid using harsh detergents or cleaning fluids.
- Do not vacuum any of the soundbar components, because permanent damage could result.

Troubleshooting

Check the following information for the possible cause and solution for a problem before contacting the nearest service center or dealer for repairs.

Symptom	Solution
The soundbar does not turn on	<ul style="list-style-type: none"> • Securely connect the power supply cable from the AC power supply to the soundbar and the AC power cable from the AC power supply to an AC power outlet.
No sound	<ul style="list-style-type: none"> • Make sure that all connections are correct. • Press the Volume + button. • Press the INPUT button to choose the right sound source. • If you are using Rocketboost input, press the Next Source button to select another sound source.
No communication between the soundbar and your Rocketboost device	<ul style="list-style-type: none"> • Make sure that the Hub Status switch on the sender/receiver is set correctly. • Make sure that the power indicators on the sender/receiver and the soundbar turn solid blue/green. If the power indicators blink slowly, it means there is no active link between the devices. Unplug the AC power cables, then plug them back in and try to establish the link again. (See "To establish communications with other Rocketboost devices:" on page 7.)
The remote control doesn't work	<ul style="list-style-type: none"> • Replace the batteries • Operate the remote more closely to the soundbar.
The sound from the left and right channels is reversed	<ul style="list-style-type: none"> • Check the left and right channel connections and connect them correctly.

Legal notices

FCC Part 15

This device complies with Part 15 of the FCC Rules. Operation of this product is subject to the following two conditions: (1) this device may not cause harmful interference, and (2) this device must accept any interference received, including interference that may cause undesired operation.

This equipment has been tested and found to comply within the limits for a class B digital device, pursuant to Part 15 of the FCC Rules. These limits are designed to provide reasonable protection against harmful interference in a residential installation. This equipment generates, uses, and can radiate radio frequency energy and, if not installed and used in accordance with the instructions, may cause harmful interference to radio communications. However, there is no guarantee that interference will not occur in a particular installation. If this equipment does cause harmful interference to radio or television reception, which can be determined by turning the equipment off and on, the user is encouraged to try to correct the interference by one or more of the following measures:

- Reorient or relocate the receiving antenna.
- Increase the separation between the equipment and receiver.
- Connect the equipment into an outlet on a circuit different from that to which the receiver is connected.
- Consult the dealer or an experienced technician for help.

One-year limited warranty

Insignia Products ("Insignia") warrants to you, the original purchaser of this new product ("Product"), that the Product shall be free of defects in the original manufacture of the material or workmanship for a period of one (1) year from the date of your purchase of the Product ("Warranty Period"). This Product must be purchased from an authorized dealer of Insignia brand products and packaged with this warranty statement. This warranty does not cover refurbished Product. If you notify Insignia during the Warranty Period of a defect covered by this warranty that requires service, terms of this warranty apply.

How long does the coverage last?

The Warranty Period lasts for 1 year (365 days) from the date you purchased the Product. The purchase date is printed on the receipt you received with the Product.

What does this warranty cover?

During the Warranty Period, if the original manufacture of the material or workmanship of the Product is determined to be defective by an authorized Insignia repair center or store personnel, Insignia will (at its sole option): (1) repair the Product with new or rebuilt parts; or (2) replace the Product at no charge with new or rebuilt comparable products or parts. Products and parts replaced under this warranty become the property of Insignia and are not returned to you. If service of Products or parts are required after the Warranty Period expires, you must pay all labor and parts charges. This warranty lasts as long as you own your Insignia Product during the Warranty Period. Warranty coverage terminates if you sell or otherwise transfer the Product.

How to obtain warranty service?

If you purchased the Product at a retail store location, take your original receipt and the Product to the store you purchased it from. Make sure that you place the Product in its original packaging or packaging that provides the same amount of protection as the original packaging. If you purchased the Product from an online web site, mail your original receipt and the Product to the address listed on the web site. Make sure that you put the Product in its original packaging or packaging that provides the same amount of protection as the original packaging.

To obtain in-home warranty service for a television with a screen 30 inches or larger, call 1-888-BESTBUY. Call agents will diagnose and correct the issue over the phone or will have an Insignia-approved repair person dispatched to your home. Should the Insignia-approved repair person not correct the issue on the first call, an Insignia television (size and features to be determined by Insignia) will be loaned to you until your TV is repaired and returned, at no charge to you. This feature is only available to Insignia television consumers residing in the United States.

Where is the warranty valid?

This warranty is valid only to the original purchaser of the product in the United States, Canada, and Mexico.

What does the warranty not cover?

This warranty does not cover:

- Customer instruction
- Installation
- Set up adjustments
- Cosmetic damage
- Damage due to acts of God, such as lightning strikes
- Accident
- Misuse
- Abuse
- Negligence
- Commercial use
- Modification of any part of the Product, including the antenna
- Plasma display panel damaged by static (non-moving) images applied for lengthy periods (burn-in).

This warranty also does not cover:

- Damage due to incorrect operation or maintenance
- Connection to an incorrect voltage supply
- Attempted repair by anyone other than a facility authorized by Insignia to service the Product
- Products sold as is or with all faults
- Consumables, such as fuses or batteries
- Products where the factory applied serial number has been altered or removed

REPAIR REPLACEMENT AS PROVIDED UNDER THIS WARRANTY IS YOUR EXCLUSIVE REMEDY. INSIGNIA SHALL NOT BE LIABLE FOR ANY INCIDENTAL OR CONSEQUENTIAL DAMAGES FOR THE BREACH OF ANY EXPRESS OR IMPLIED WARRANTY ON THIS PRODUCT, INCLUDING, BUT NOT LIMITED TO, LOST DATA, LOSS OF USE OF YOUR PRODUCT, LOST BUSINESS OR LOST PROFITS. INSIGNIA PRODUCTS MAKES NO OTHER EXPRESS WARRANTIES WITH RESPECT TO THE PRODUCT, ALL EXPRESS AND IMPLIED WARRANTIES FOR THE PRODUCT, INCLUDING, BUT NOT LIMITED TO, ANY IMPLIED WARRANTIES OF AND CONDITIONS OF MERCHANTABILITY AND FITNESS FOR A PARTICULAR PURPOSE, ARE LIMITED IN DURATION TO THE WARRANTY PERIOD SET FORTH ABOVE AND NO WARRANTIES, WHETHER EXPRESS OR IMPLIED, WILL APPLY AFTER THE WARRANTY PERIOD. SOME STATES, PROVINCES AND JURISDICTIONS DO NOT ALLOW LIMITATIONS ON HOW LONG AN IMPLIED WARRANTY LASTS, SO THE ABOVE LIMITATION MAY NOT APPLY TO YOU. THIS WARRANTY GIVES YOU SPECIFIC LEGAL RIGHTS, AND YOU MAY ALSO HAVE OTHER RIGHTS, WHICH VARY FROM STATE TO STATE OR PROVINCE TO PROVINCE.

Contact Insignia:

For customer service please call 1-877-467-4289
www.insigniaproducts.com

Distributed by Best Buy Purchasing, LLC
7601 Penn. Avenue South, Richfield, Minnesota, U.S.A.
55423-3645

© 2011 BBY Solutions, Inc.

All rights reserved. INSIGNIA is a trademark of BBY Solutions, Inc. Registered in some countries. All other products and brand names are trademarks of their respective owners.

INSIGNIA™

www.insigniaproducts.com (877) 467-4289

Distributed by Best Buy Purchasing, LLC
7601 Penn Avenue South, Richfield, MN USA 55423-3645
© 2011 BBY Solutions, Inc.

All rights reserved. INSIGNIA is a trademark of BBY Solutions, Inc. Registered in some countries.
All other products and brand names are trademarks of their respective owners.

ENGLISH
11-0299