

initio®

INF-9090U
User's Manual

Initio Corporation • 2188-B Del Franco Street • San Jose, California • 95131-1575
<http://www.initio.com>

Copyright

Copyright©1998 Initio Corporation. All rights reserved. This document may not, in whole or part, be copied, reproduced, reduced or translated by any means, either mechanical or electronic, without prior consent in writing from Initio Corporation. Initio Corporation assumes no responsibility for errors or omissions in this guide. The information contained in this manual, as well as product design, is subject to change without notice.

Trademarks

Initio, the Initio logo, and the "INI-" prefix are registered trademarks of Initio Corporation. SmartSCSI and ISGE are trademarks of Initio Corporation.

MS-DOS®, Windows®, Windows®95, and Windows NT® are trademarks or registered trademarks of Microsoft® Corporation.

NetWare™ is a registered trademark of Novell®, Inc.

SCO® is a registered trademark of Santa Cruz Operation, Inc.

UNIX® is a registered trademark of Unix System Laboratories.

IBM® and OS/2™ are registered trademarks of International Business Machines Corporation.

Intel®, i386, i486, i486DX2, and Pentium™ are trademarks of Intel Corporation.

Other manufacturers' product names that appear in this manual are for identification purposes only and are acknowledged to be trademarks or registered trademarks of their respective companies.

Initio Technical Support

If you have questions about installing or using Initio products, check this document first. You will find answers to most of your questions here. If you need further assistance, please contact us. We offer the following support and information services:

Monday - Friday: 8:00 AM to 5:00 PM Pacific time

- **Toll Free: (800) 99-INITIO**
- **Phone: (408) 577-1919**
- **Fax: (408) 577-0640**

Initio provides on-line support for software upgrades, utility programs, and other information 24 hours a day; using 8 data bits, 1 stop bit, and no parity at speeds up to 28.8K baud.

- **Initio Corporation BBS: (408) 577-0431**
- **World Wide Web: <http://www.initio.com>**
- **Email: support@initio.com**

Outside of the US and Canada, contact your authorized Initio distributor. If you received your Initio hardware product as original equipment in a computer system or as part of a hardware bundle, please contact that manufacturer for technical support.

The following information is needed to assist in problem resolution:

- Model type
- Serial number
- Product description
- Operating system & version number (i.e. Windows 95)
- Software driver product type and version number
- Motherboard BIOS version
- Location of purchase

The README.TXT File

The README.TXT file on the **INI-9XXXU/9XXXUW DRIVER DISK I** contains important updated information and corrections to this User's Manual. README is a standard ASCII text file that may be read with any word processor or text editor.

To view the README file from the MS-DOS prompt, type the following command from the MS-DOS prompt:

C:\> **type readme.txt | more**

This will permit you to page down the file, one screen at a time to read the file.

Technical Support ii

1. INTRODUCTION 1

- The Initio INI-9090U PCI-FastSCSI host adapter 1
- Technical Illustration 2
- Product Features / Specifications 3

2. GETTING STARTED 5

- Host adapter and the SCSI bus 5
- SCSI bus preparation 5
- SCSI bus termination 5

3. HARDWARE INSTALLATION 7

- Installation basics 7
- Installation in ten easy steps 7
- Hard disk drive preparation 11
- Low-level format 11

4. HOST ADAPTER SETUP 13

- Running the SmartSCSI Setup Utility 13
- Main Menu Options 13

5 MS-DOS/WINDOWS 3.1X DRIVER INSTALLATION 17

- Overview 17
- Installing the Initio ASPI driver to an existing MS-DOS system 17
- Installing the Initio ASPI driver to an existing Win3.1x system 18
- ASPI Manager command line options 19
- ASPI CD-ROM Driver Command Line options 19
- ASPI Disk Driver Command Line options 21
- ASPI Partition and Format Utility 22

6. MICROSOFT WINDOWS 95/95B (OSR2) DRIVER INSTALLATION 23

- Overview 23
- Installation 23
- New Windows 95/95a installation 23
- Adding the Initio Driver to an existing Windows 95/95a system 25
- Updating the Initio 95/95a device driver 26
- New Windows 95b (OSR2) installation 27
- Adding the Initio driver to an existing Windows 95B (ORS2) System 28
- Updating the Initio 95B (OSR2) device driver 29

Contents

7. MICROSOFT WINDOWS NT DRIVER INSTALLATION	31
Overview	31
Installation	31
New Windows NT installation	31
Adding or updating the Initio driver to an existing WinNT system	33
Installing a new WinNT system and Initio driver w/out floppy disks	34
8. NOVELL NETWARE DRIVER INSTALLATION	35
Overview	35
Installation	35
New NetWare 4.xx installation	35
Adding the Initio driver to an existing NetWare system	36
Device driver command line options	37
9. IBM OS/2 DRIVER INSTALLATION	39
Overview	39
Installation	39
New OS/2 installation	39
Adding the Initio driver to an existing OS/2 system	40
Device driver command line options	40
10. SCO UNIX DRIVER INSTALLATION	43
Overview	43
Installation	43
Updating interrupts and hardware settings	43
Installing the Initio driver in a new SCO UNIX system	44
Adding the Initio driver to an existing SCO UNIX system	44
Changing to the INI-9XXX as the bootable host adapter	45
11. SCO UNIXWARE DRIVER INSTALLATION	47
Overview	47
Installation	47
Updating interrupts and hardware settings	47
Installing the Initio driver in a new UnixWare system	47
Adding the Initio driver to an existing UnixWare system	48
Using Multiple Host Adapters	49
Removing the Initio driver from a UnixWare system	49
12. LINUX DRIVER INSTALLATION	51
Overview	51
Website Updates	51
TROUBLESHOOTING	53
INDEX	57
PRODUCT WARRANTY	59

1

The Initio INI-9090U Host Adapter

The Initio INI-9090U™ is a high-performance PCI bus master UltraSCSI host adapter which provides the interface between the UltraSCSI bus and the PCI local bus. Distinguishing features include:

- *Support of 32-bit data transfers across the PCI bus at speeds up to 133 MBytes per second*
- *The SmartSCSI™ Setup Utility program enables integration of the host adapters into most platforms and operating systems*
- *Compliance with Plug-n-Play applications on systems using the PCI bus standard*

INI-9090U host adapter supports synchronous UltraSCSI bus transfers at a rate of 20 MBytes per second. It utilizes full support of UltraSCSI standards defined by SCSI specifications.

Technical Illustration

This illustration identifies major components pertaining to your INI-9090U host adapter. You will find it helpful to refer to this illustration while installing the host adapter and attaching the cables.

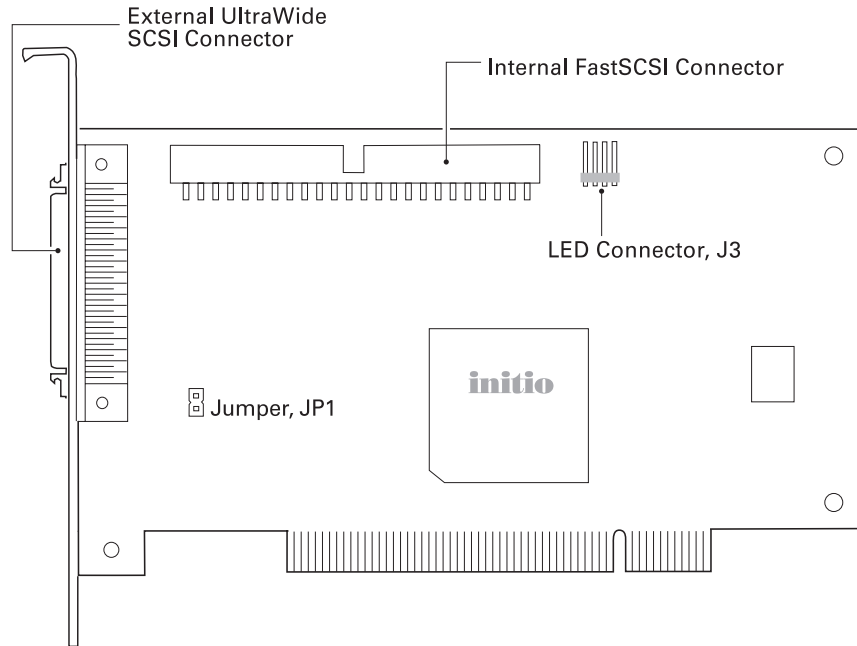


FIGURE 1 – INI-9090U Board Layout

Product Features/Specifications

Product Features

- **PCI Compatibility:** The PCI Bus is a 32-bit bus with multiplexed address and data lines. INI-9090U is compliant with PCI 2.1 bus protocol, electrical and mechanical specifications.
- **Plug and Play:** INI-9090U has an on-board read only memory (ROM) to provide the necessary configuration mechanisms for installation, configuration, and booting without user intervention.
- **133 MBytes per second PCI burst mode:** The 32-bit data path for the PCI bus structure running in a synchronous mode at 33 MHz gives maximum operating speeds of 133 MBytes/second.
- **20 MBytes per second data transfer:** Up to 20 MBytes/sec synchronous FastSCSI data transfers for INI-9090U.
- **Programmable/Automatic SCSI Termination:** Allows the user to choose between programmable or auto-SCSI termination, eliminating the need to remove system unit covers each time a change is made in SCSI bus configuration.
- **Onboard BIOS supports MS-DOS, Windows 3.1x:** INI-9090U has the necessary software support *on-board*—allowing you to run disk drive operations for MS-DOS and Windows 3.1x *without* any extra drivers.
- **Windows 95, Windows NT, OS/2, SCO UNIX, UnixWare, Linux and NetWare Driver Support:** INI-9090U is compatible with all major operating systems.
- **ISGE™ Integrated Scatter/Gather Engine:** Initio host adapters have incorporated advanced hardware functions to provide increased performance in all Scatter/Gather operations.
- **No Hardware Jumpers to set:** Initio host adapters embed an intelligent software utility to set configuration options.
- **Compatible with Hard Disk, CD-ROM, Optical, Tape, Printer, and other SCSI products:** INI-9090U is a complete UltraSCSI implementation. All peripherals are compliant with SCSI-2 and SCSI-1 and can be used with INI-9090U.
- **64-byte FIFO:** A 64-byte FIFO buffer is designed into INI-9090U and is utilized as a caching buffer to manage PCI to SCSI bus structure timing for data and command transfer.

Product Features/Specifications

- **Command Queuing:** A unique implementation to provide 255 simultaneous SCSI commands.
- **SCSI compliant:** INI-9090U is fully SCSI compliant, implementing advanced features such as:
 - Tag Queuing
 - Sync/Async Transfers
 - Disconnect / Reselect Arbitration

Product Specifications

Power Requirements

- 5.0 ± 0.25 V at 0.51 Amps maximum not including bus termination

Physical Dimensions

- 5.75" x 3.40" (14.61 cm x 8.65 cm)

Environmental Specifications

Operating Temperature

- 0 to 55°C (32 to 131°F)
- 10% to 90% relative humidity (non-condensing)

Storage Temperature

- -40 to 75°C (-40 to 167°F)
- 5% to 95% relative humidity (non-condensing)

2

Host Adapter and the SCSI Bus

INI-9090U is a bus mastering host adapter which works with the host computer to provide control for the SCSI bus. By daisy chaining peripheral devices together, up to seven devices can be linked with INI-9090U. The host adapter can be placed in any standard PCI slot on the bus.

SCSI bus preparation

Each peripheral device attached to the SCSI bus can either be an internal or external device. Each peripheral has a specific device ID, commonly referred to as a SCSI ID. Please refer to your peripheral documentation to determine switch or jumper settings for SCSI ID's. No two devices can have the same ID; the device ID uniquely defines the device to the SCSI bus.

SCSI bus termination

The SCSI bus structure has a length limitation as well as a requirement for termination at each end of the SCSI cable. The cable is designed to connect in a daisy chain fashion. No branching is permitted in the SCSI bus. The first and last physical SCSI device on the SCSI bus must be terminated (FIGURE 2).

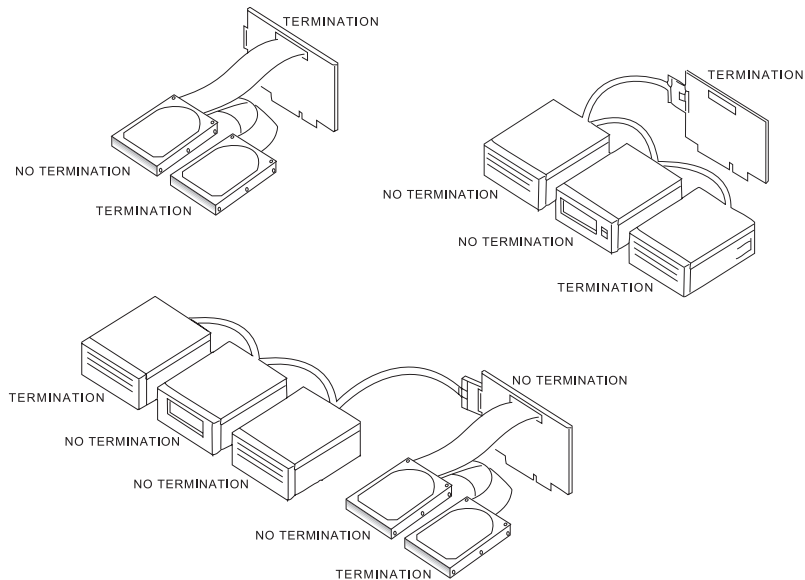


FIGURE 2 — Examples of SCSI bus termination

Getting Started

INI-9090U's SCSI termination can be set to auto-termination or programmable mode via the SmartSCSI Setup Utility. This feature allows the operator to switch the auto-termination On or Off. If auto-termination is switched off, the operator can manually program termination for the host adapter. There are three ways to manually control terminating the host adapter on the SCSI bus (see TABLE 1).

SCSI Devices Configuration	SCSI Channel Termination
Internal Devices Only ¹	ON
External Devices Only ¹	ON
Internal & External Devices ²	OFF

TABLE 1 - INI-9090U *possible termination settings*

¹ Assumption: Host adapter is at the end of the SCSI bus

² Assumption: Host adapter is in the middle of the SCSI bus

3

Installation Basics

The internal cable permits connection of multiple internal devices. SCSI devices that are connected to the internal connector are installed inside the host computer enclosure. The external connector is accessible through the D-shell connector at the back of the host system and is designed to connect devices outside the host system enclosure.

The following table has connector details of INI-9090U.

Product	Internal Connector	External Connector	Maximum SCSI Devices allowed
I/OHIGHWAY (INI-9100A)	One 50-pin S/D	One 50-pin H/D	7

S/D: Standard Density.....



H/D: High Density.....



TABLE 2 - Connector Details

To increase the reliability of the cabling being used with the host adapter, it is recommended that the following guidelines be observed:

- SCSI-1 – up to 6 meters or 20 feet
- UltraSCSI – up to 6 meters or 20 feet
- Impedance of the cable should be between 90-110 ohms
- Use high quality shielded connectors

Installation in Ten Easy Steps**1 Power down the host computer and all peripherals.**

Remove the cover from the host system. You may need to refer to the system manual for cover removal. If necessary, identify the PCI sockets inside the host system with the aid of the system documentation.

2 Use static electricity discharge precautions.

Remove possible static discharge potential from any objects that the host adapter may come in contact with before installation. This can be accomplished by touching

Hardware Installation

a bare metal chassis rail after you have turned off the power.

3 Inserting the host adapter

Orient the host adapter for installation so that the external connector is facing the back of the system unit and align the card with the PCI connector on the system unit (see FIGURE 3).

Holding the adapter by the mounting bracket and the card edge, match up the card edge connector with the PCI host computer socket and insert the card into the socket. Once the connector is in the PCI expansion slot socket tighten the mounting bracket screw to secure the card in place.

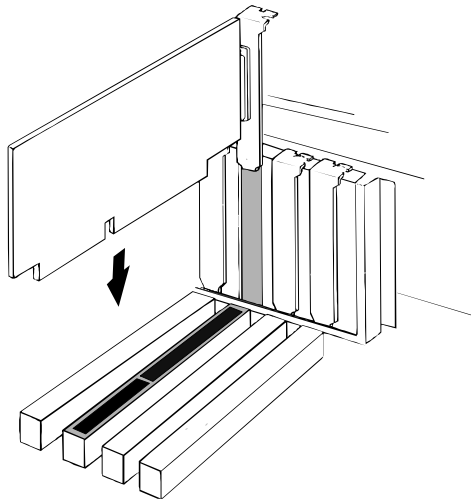


FIGURE 3 — Inserting the host adapter into a PCI slot

4a Installation of internal SCSI cables

The number of internal and external connectors for Initio's SCSI host adapters are referenced in the hardware installation section (TABLE 2).

All internal connectors may be used simultaneously or singularly, depending on your bus configuration. Installation of internal SCSI cables must be performed before replacing the system covers. The internal ribbon cable is made with multiple connectors attached and used to daisy chain the host adapter with two or more devices. It is important that the cable be installed correctly for proper operation. The cable has a colored stripe running the length of the cable, on the edge distinguishing the pin one side of the connector. These identifying markings

Hardware Installation

must match when mated on the host adapter board.

When attaching UltraSCSI devices, use the 50-pin UltraSCSI cable connector on the host adapter. Align the internal cable into the host adapter and the other cable connectors in a similar fashion into the other SCSI device connectors as described in the appropriate manufacturers instructions.

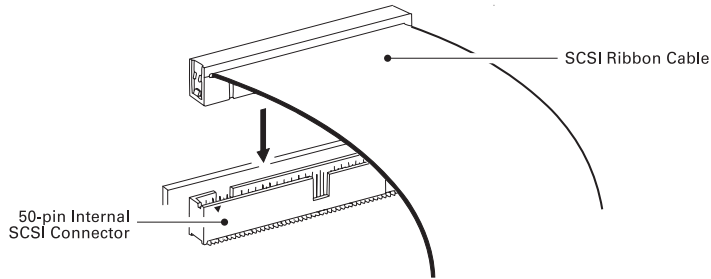


FIGURE 4 — Connecting the 50-pin internal flat ribbon cable

4b Installation of external SCSI cables

Installation of external SCSI cables can be performed after the cover has been closed. The cable is limited in length to a total of six meters including any internal cabling. The external cable can be daisy chained to include up to seven with the host adapter in combination with internal devices. The external cable is designed to be inserted only one way, requiring termination at the end peripheral device on the bus (FIGURE 5).

Hardware Installation

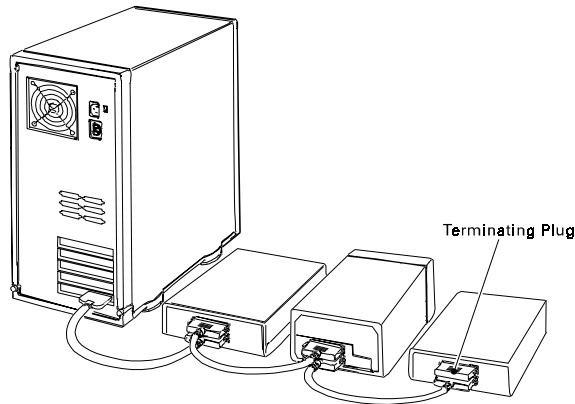


FIGURE 5 – External cable connection

5 Drive activity LED

A drive activity LED is designed into the host adapter to indicate when a data transfer is being made. Connection to the LED is optional and cabling is not included with this kit. Each host adapter has one four-pin connector. Please refer to the host adapter's illustration (FIGURE 1) for the LED connector that will accommodate the LED cable.

6 Multiple Initiators

Under some circumstances multiple initiators can be used on a single SCSI bus. The bus is configured to have more than one host adapter inserted into at least two distinctly different computer systems sharing peripheral devices. In these circumstances, it is possible to have one of the two computer systems turned off. Under these conditions, the host adapter has a jumper that can be enabled (closed) to set the active on-board termination on all the time, regardless of whether power is applied or not. The host adapter is shipped without the jumper installed and need not be changed in most cases.

7 Close the cover on the host computer

Visually inspect the configuration you have installed to verify that all cables have been inserted correctly. Close the cover on the host computer. The hardware installation for the host adapter is now complete.

Hardware Installation

8 Host computer configuration

Most computer manufacturers with a PCI bus automatically configure the add on-card or host adapter I/O Port address, IRQ Channel and BIOS address. If this is not the case with your computer system, you will need to manually configure your system.

There are two means of configuring the PCI bus from the host computer system:

1. Setting jumpers on the host system motherboard.
2. Setting CMOS BIOS incorporated into the host system.

You will need to refer to the host computer system documentation to complete PCI bus activation and setup.

If the host system will be using a SCSI device to provide system boot capability, then the system CMOS drive type settings may need to be changed. Under some conditions the system will expect the boot disk to be an IDE drive. This must be changed in order to boot from a SCSI device.

9 System startup

The newly installed SCSI bus is now ready to power up. Switch on peripheral and host computer system power. The system monitor should display the following information, but may vary, based on the system BIOS manufacturer.

- The normal Power-On Self Test and memory test procedure.
- The host adapter sign on message including a list of attached SCSI devices.

The list should match the peripheral devices attached to the bus. In most cases the host computer system is now configured and ready for use.

Some situations will require that a low-level format be performed using the host adapter SmartSCSI Setup Utility to initialize a SCSI disk drive and lay the foundation for a bootable SCSI drive.

10 SmartSCSI Setup Utility

The SmartSCSI Setup Utility simplifies the SCSI installation process by eliminating the need for opening the system to change system jumpers and switch settings. All necessary host adapter functions are accessible through the utility, simplifying customization for your system needs. Initio's SmartSCSI Setup Utility is divided into five segments identified by: *Scan Bus; Device Setup; Adapter Setup; BIOS Setup; and Disk Utility*. These program functions are accessible by typing <CTRL> <I> at the boot-up prompt.

4

Hard Disk Drive Preparation

A new SCSI disk drive is normally low-level formatted at the factory to simplify installation. The drive can be used as it comes from the factory once it is partitioned for system operation.

Low-level Format

A low-level format will erase any data that is stored on the target disk. Before attempting to perform a low-level format be sure the data on the target disk has been backed up. A low-level format can be achieved via the SmartSCSI Setup Utility for INI-9090U.

The low level format sets the media to a state which is easily recognized by the host adapter on the SCSI bus. Once this format is completed, you will need to partition the drive. Refer to your operating system documentation for further information on partitioning drives.

Running the SmartSCSI Setup Utility

To start the SmartSCSI Setup Utility, verify that all devices attached to the SCSI bus are powered up when the host computer system is turned on. Once the power switch has been turned on and the system begins its on screen power up sequence, the Initio banner will be displayed for a brief period. During this time the Initio SmartSCSI Setup Utility is accessible by pressing the <Ctrl> key and the <I> key at the same time. When displayed on your system monitor, the following message indicates that the host system is ready to accept your keyboard input.

!!! Press <Ctrl> <I> for SmartSCSI Setup Utility !!!

Main Menu Options

SmartSCSI's main menu provides five possible setup options for meeting your system configuration:

Scan Bus	Device Setup	Adapter Setup	BIOS Setup	Disk Utility
----------	--------------	---------------	------------	--------------

Scan Bus

This option scans the SCSI bus. All device ID's are displayed on the screen including

Host Adapter Setup

SCSI ID's without devices attached. This allows for a better definition of location and priority on the SCSI bus.

- A device ID should only be changed if it conflicts with another device address on the same bus. Refer to your peripheral documentation for changing SCSI ID's.
- The best ID for a bootable hard disk is SCSI ID-0.

Device Setup

Asynchronous Transfer. Use this option to set the synchronous data transfer mode. INI-9090U will transfer data at a maximum rate of 20 MBytes per second in synchronous mode and a maximum rate of 5 Mbytes per second in asynchronous mode. Use this option to set the synchronous data transfer mode. The default setting for this option is for synchronous operation. (no)

Maximum Synchronous Transfer Rate. This option determines the speed at which data is moved across the SCSI cable. INI-9090U has the option of running up to 20 MBytes per second.

DOS Space > 1 GB. Using this option allows for single disk capacities to be extended up to 8 GBytes (yes). Please refer to the Appendix titled DOS Space > 1 GB for further information on this feature.

- (NO) DOS limits the number of cylinders per drive to 1024. The host adapter defines head and sector usage to 64 heads and 32 sectors. This format allows for maximum capacity of 1 gigabyte per disk storage.
- (YES) The upper limit can be extended from 1 GByte to 8 GBytes by increasing the number of heads to 255 and sectors used per track to 63. This is a powerful option. DATA CAN BE LOST BY CHANGING SETTINGS.

Spin Up Disk Drive. This option is used to initiate motor spin-up for SCSI disk drives. The host adapter BIOS can limit system power requirements during power-up. This is accomplished by signaling the device to start at delayed intervals (default setting will be 'no').

Enable Disconnect. The host adapter uses this option to allow a device to temporarily disconnect from the SCSI bus (referred to as disconnect/reconnect). This allows the host adapter to perform other functions on the bus while the device is temporarily disconnected. The device and the host adapter can then reconnect when the bus is needed (default setting will be 'yes').

Host Adapter Setup

Adapter Setup

Host Adapter SCSI Bus ID. Used to change the adapter's SCSI ID on the SCSI bus. The narrow host adapters provides eight ID's available numbered 0-7, with 7 having the highest priority (and ID-7 reserved for the host adapter).

Installation of additional host adapters is permitted on the same PCI bus. This will allow the system to have more than one SCSI bus attached. Under these conditions, SCSI ID's can be repeated.

Boot Device ID. This option selects which SCSI device will be the designated boot device for the system. The default ID for this option is 0.

SCSI Terminators. This option is used to set auto-termination located on the host adapter card. This option is also used to manually control termination on the host adapter. The normal setting for this option is auto.

SCSI Parity Check ON. Select this option to enable or disable parity checking on the SCSI bus by the host adapter. The default setting for this option is on (yes).

NOTE: If this option is set ON, be certain that the peripheral SCSI device also has this option turned ON.

BIOS Setup

Enable Host Adapter BIOS. This option controls the host adapter usage of SCSI disk I/O routines inside the host adapter BIOS. By disabling this option you will eliminate the host adapter's ability to utilize boot capabilities in INI-9090U. Setting this to "no" will also disable all subsequent features displayed by this on-screen panel. The default setting will be on. (Yes)

BIO SUPPORT for More than Two Drives. This option supports two or more disk drives on the SCSI bus for MS-DOS 5.0 or later when enabled. The optimum device identification (ID) for multiple drive operation is device ID-0 for a system disk and device ID-1 for the second drive. The default setting will be on. (Yes)

BIOS Treat Removable Disks as Fixed Disk. This option is able to treat removable disks as fixed disks. With this option selected you can run removable disk media without additional software drivers. The default setting will be off. (No)

BIOS Support for Bootable CD-ROM. This option allows users to boot from a CD-ROM by replying with Yes at the prompt. Only one bootable CD-ROM will be allowed at a time. The default setting will be off. (No)

MS-DOS/Windows 3.1x Driver Installation

5

Overview

The Initio ASPI driver will support extended SCSI command functions for MS-DOS 3.30 or later. The on-board BIOS initialized during the power up boot routine only supports MS-DOS hard disk operation. If peripherals other than disks are used, such as CD-ROM or MO, the Initio ASPI driver will need to be installed in addition to Initio CD-ROM and MO drivers.

Installation

The installation procedure guides you through the installation of the Initio DOS ASPI and the ASPI for Windows 3.1x drivers. The installation procedure described here requires some experience in MS-DOS or Windows 3.1x system setup and administration. The device driver is transferred from the **INI-9XXXU/9XXXUW DRIVER DISK 1** to the hard drive where it is automatically initialized during the system boot routine. The **INI-9XXXU/9XXXUW DRIVER DISK 1** contains two installation programs that perform the same task. If you have completed installing the Initio ASPI driver using the MS-DOS based installation routine described in this User's Manual, it is not necessary to repeat the procedure for a Windows 3.1x environment on the same system.

Installing the ASPI drivers to an existing MS-DOS system

The ASPI driver is found on the **INI-9XXXU/9XXXUW DRIVER DISK 1**. It is important that the SCSI bus hardware, and operating system are installed correctly before proceeding further. If you need help installing the MS-DOS operating system, please refer to the MS-DOS manual before proceeding.

- 1 Turn on host system and boot into MS-DOS.
- 2 Insert the **INI-9XXXU/9XXXUW DRIVER DISK 1** into your floppy drive.
- 3 At the MS-DOS prompt, change to your active floppy drive (e.g., type **A: <ENTER>**).
- 4 Type **DOSSETUP <ENTER>** (*A series of screens will guide you through the installation of the ASPI device drivers*).
- 5 The first screen sets the installation drive and directory that the ASPI driver will be installed on. Follow the on-screen directions and/or options to continue the installation.
- 6 To activate the device driver, reboot the system by selecting the **Reboot Now** option at the end of the installation process.

MS-DOS/Windows 3.1x Driver Installation

Installing the Initio ASPI drivers to an existing Windows 3.1x system

The ASPI for Windows 3.1x drivers are found on the **INI-9XXXU/9XXXUW DVR DSK 1**. It is important that the SCSI bus hardware, and operating system are installed correctly before proceeding further. If you need help installing Windows 3.1x, please refer to the Microsoft Windows manual before proceeding.

- 1 Turn on host system and boot into MS-DOS and Windows 3.1x operating system.
- 2 Insert the **INI-9XXXU/9XXXUW DRIVER DISK 1** into your floppy drive.
- 3 Use your installed mouse or the appropriate key strokes to select **RUN...** from the Windows PROGRAM MANAGER. Execute the following steps:
 - Type **A:\SETUP <ENTER>**. A series of screens will guide you through the installation of the ASPI for Windows device drivers.
 - Choose **CONTINUE** to continue the installation sequence.
 - Choose **CONTINUE** to accept the Host Adapter selection.
- 4 Two installation options are available:
 - Choose **EXPRESS INSTALL** to install both the DOS ASPI drivers and the Windows 32-bit Disk Access drivers. Use this option if you are unfamiliar with configuring a DOS or Windows manually.
 - Choose **CUSTOM INSTALL** to select DOS ASPI drivers or the Windows 32-bit Disk Access drivers manually. Use this option only if you are familiar with configuring a DOS or Windows PC manually
- 5 Follow the on-screen directions and/or options to continue the installation.
 - Choose **CONTINUE** to accept the default directory or enter the full directory where you want ASPI drivers installed.
 - Choose **CONTINUE** after all the files have been copied and installed to your system.
 - Select **YES** to make the required changes to your system's CONFIG.SYS and SYSTEM.INI configuration files.
 - Once the SETUP COMPLETE screen is displayed, choose **CONTINUE**.
- 6 Last minute changes to this User's Manual will be displayed in the README.TXT file that is shown. To exit the README.TXT file, use your installed mouse or the appropriate key strokes to select **FILE**, then **EXIT** from the Note Pad FILE MENU.
- 7 To complete the installation and activate the device driver, exit from your Windows 3.1x session and reboot the system by pressing **<CTRL> + <ALT> + **.

MS-DOS/Windows 3.1x Driver Installation

ASPI Manager Command Line Options

Below is a list of command line options. The Initio ASPI Manager, ASPI910U, supports command line switches to optimize driver operation. From inside the CONFIG.SYS file for MS-DOS, use the following format when modifying the device driver switches:

The standard format for command line switches is:

Device = C:\INI\ASPI\ASPI910U.SYS [Driver Config Option]

- /D** Verbose Mode provides detailed information about the driver on system command line when the driver is initialized.
- /L** Driver scan eight LUNs for each SCSI Target.
- /Bb,dd** Scan device only on PCI BUS #b, PCI DEVICE #dd
The range for "b" is from 0 to 7.
The range for "dd" is from 0 to 20.
- /Bb** Scan all the devices on the PCI BUS #b
The range for "b" is from 0 to 7.
- /Sdd** Scan device only on the PCI BUS #0 and device #dd
The range for "dd" is from 0 to 20.
- /CCBSx** Defines the maximum number of concurrent I/O that driver supports.
The range for "x" is from 1 to 16.

ASPI CD-ROM Driver Command Line Options

INICD.SYS is a DOS device driver for supporting SCSI CD-ROM drives. It is the interface between MSCDEX.EXE (supplied by Microsoft®) and the physical CDROM drive. INICD.SYS is automatically loaded in the CONFIG.SYS start up file by the Initio DOSSETUP or SETUP programs. INICD.SYS requires that the Initio ASPI Manager be loaded. INICD.SYS can be loaded with either the DEVICE= or DEVICEHIGH= command. INICD.SYS can be found on **INI-9XXXU/9XXXUW DRIVER DISK 1**. Below is a list of command line options and examples.

/D: /d: This option is used to specify the name of the device driver. The name specified must also be passed to MSCDEX.EXE on it's command line (Using the same **/D:** or **/d:** option). The name specified must be 8 or less characters in length. Valid characters are the A-Z, a-z, 0-9 and underscore. The name must start with a letter.

Examples: /D:INICD001
 /d:mscd001
 /d:MYCD01

/T /t This option is used to specify a Time out value to be used when sending commands to a CDROM drive. If a CDROM drive does not respond to a command within the specified time out then the command will be aborted and an appropriate error message will be displayed. The time out value is specified in minutes. Valid values are 1-9 and D or d.

MS-DOS/Windows 3.1x Driver Installation

The D or d values are used to Disable the time out mechanism. If the time out mechanism is disabled then faulty hardware can lock up the system.

Examples: /T4
 /Td
 /TD
 /T1

/X /x This option is used to exclude particular CD-ROM drives. Excluded CDROM drives are identified by specifying the host adapter, target id and lun. These values are sperated by a colon. Groups of CDROM drives (or wild cards) can also be identified. Below are examples of the different ways CDROM drives can be excluded:

/X0:1:2	This will exclude the drive on Host Adapter 0, with target ID 1 and lun 2.
/X0:2	This will exclude the drive on Host Adapter 0, with target ID 2 and ANY lun
/X0	This will exclude ALL drives on Host Adapter 0.

SAMPLE CONFIG.SYS AND AUTOEXEC.BAT FILES

These samples assume that the user has loaded the Initio drivers in the following directory: c:\iniaspi.

Config.sys:

```
DEVICEHIGH=c:\iniaspi\aspi910u
DEVICEHIGH=c:\iniaspi\inidc.sys /D:INICD001
```

Explanation:

The first line loads the ASPI manager and the second line loads the CDROM driver specifying the device name INICD001.

Autoexec.bat:

```
Mscdex /D:INICD001
```

Explanation:

This line will load the Microsoft supplied mscdex.exe file instructing it to attach to the CD-ROM device driver INICD001.

MS-DOS/Windows 3.1x Driver Installation

ASPI Disk Driver Command Line Options

INIDISK.SYS is a DOS block device driver for supporting SCSI fixed disks, removable disks and MO devices. INIDISK.SYS is automatically loaded in CONFIG.SYS start up file by the Initio DOSSETUP or SETUP programs. INIDISK.SYS requires that the Initio ASPI Manager be loaded. INIDISK.SYS can be loaded with either the **DEVICE=** or **DEVICEHIGH=** command. INICD.SYS can be found on the **INI-9XXXU/9XXXUW DRIVER DISK 1**. Below is a list of command line options and examples.

/R /r This option specifies the number of *logical* drives to reserve for MO and removable disk devices. MO and removable disks media are capable of being partitioned just like a fixed disk. For every DOS partition on the media a logical DOS drive letter will be available. INIDISK.SYS will support as many logical drives as required (up to the maximum supported by DOS) based on the partitioning of the media that is present when your system boots. However, the media may be removed at any time and a new disk may be inserted. The new disk may have more (or less) partitions than the original disk. The **/R /r** option is used to reserved drive letters at start up in order to facilitate a disk change to a disk with more partitions than the original disk present at boot time. The value after the **/R /r** option determines how many drive letters will be reserved on a device basis. For example, if the user specifies a **/R4** option and there are two removable devices attached to the SCSI bus, then a total of eight (8) drive letters will be reserved.

/T /t This option is used to specify a Time out value to be used when sending commands to a SCSI drive. If a SCSI drive does not respond to a command within the specified time out then the command will be aborted and an appropriate error message will be displayed. The time out value is specified in minutes. Valid values are 1-9 and D or d. The D or d values are used to Disable the time out mechanism. If the time out mechanism is disabled then faulty hardware can lock up the system.

Examples: /T4
 /Td
 /TD
 /T1

/X /x This option is used to exclude particular SCSI drives. Excluded SCSI drives are identified by specifying the host adapter, target id and lun. These values are spereated by a colon. Groups of SCSI drives (or wild cards) can also be identified. Below are examples of the different ways SCSI drives can be excluded:

/X0:1:2	This will exclude the drive on Host Adapter 0, with target ID 1 and lun 2.
/X0:2	This will exclude the drive on Host Adapter 0, with target ID 2

MS-DOS/Windows 3.1x Driver Installation

and ANY lun
/X0 This will exclude ALL drives on Host Adapter 0.

SAMPLE CONFIG.SYS

These samples assume that the user has loaded the Initio drivers in the following directory: c:\iniaspi.

Config.sys:

```
DEVICEHIGH=c:\iniaspi\aspi910u  
DEVICEHIGH=c:\iniaspi\inicd.sys /R2
```

Explanation:

The first line loads the ASPI manager and the second line loads the SCSI disk driver specifying that a minimum of two drive letters be reserved for each MO and removable disk attached to the SCSI bus.

ASPI Partition & Format Utility

INIFDISK.EXE is a DOS ASPI partition and format utility. It requires the ASPI910U.SYS and INIDISK.SYS drivers to be loaded in order for it to function properly. INIFDISK.EXE is installed by the Initio DOSSETUP or SETUP programs. Upon invocation, the initial screen will have two windows. The top window will list all of the SCSI devices installed in the system. The user can highlight a particular device by using the up and down arrow keys. The bottom window will display information about the device that is currently highlighted in the top window. Inifdisk.exe can partition and format any SCSI storage device that is not being controlled by the BIOS, this includes SCSI disks, magnetic optical drives, and removable media devices. INIFDISK will display two screens in which the bottom portion will explain all commands possible in the top window.

Microsoft Windows 95/95b (OSR2) Driver Installation

6

Overview

INI-9090U will support Microsoft Windows 95 and Windows 95B (OSR2) with the addition of a software driver. The installation procedure described here requires some experience in Windows 95 system setup and administration. The device driver is transferred from the **INI-9XXXU/9XXXUW DRIVER DISK 1** to the hard drive where it is automatically initialized during the system boot routine.

The following files are used for installation and will be found on the **INI-9XXXU/9XXXUW DRIVER DISK 1**:

\\WIN95\\INI910U.MPD	INI-9XXX SCSI Host Adapter Windows 95 miniport driver.
\\WIN95\\INI910U.INF	Windows 95 installation information file.

Installation

The INI-9XXX driver developed for Windows 95 is loaded during the system boot routine and will remain resident on the drive. This is accomplished by following one of the three installation procedures listed:

- New Windows 95 and Windows 95B (OSR2) installation.
- Adding the Initio Windows 95 device driver to an existing Windows 95 or Windows 95B (OSR2) system.
- Updating INI910U.MPD device driver

The procedures described to make changes to the system have distinct differences. It is strongly suggested that the selected procedure be read and understood before proceeding with the system configuration changes. Please read the instructions carefully.

To determine which version of Windows 95 you have installed on your system, check the date of the KRNL32.DLL file located in your Windows directory. A file date of 07/11/95 belongs to Windows 95, first release; 12/31/95 belongs to Windows 95a or 95 with Service Pack 1; 08/24/96 reflects Windows 95b or OSR2.

New Windows 95/95a Installation

These instructions will guide you through the installation of the Initio host adapter driver while installing Windows 95. Windows 95 will be installed from either a CD-ROM or floppy diskettes. It is important that the hardware and DOS 4.01 or higher have been installed successfully before proceeding further. If installing from a SCSI CD-ROM drive, it is important that the Initio ASPI driver, and CD-ROM driver be installed before proceeding further.

Microsoft Windows 95/95b (OSR2) Driver Installation

- 1 Access the Windows 95 CD-ROM from either the DOS prompt or from Microsoft Windows 3.x File Manager. Execute the SETUPEXE program and follow the instructions on your screen. If you are installing from floppy diskette, insert the Windows 95 Setup Disk 1 in your floppy disk drive and boot your system. Follow the instructions on your screen.
- 2 Once a Windows 95 session is established, use your installed mouse or the appropriate key strokes to select **MY COMPUTER** from the MAIN DESKTOP. Execute the following steps:
 - Select **CONTROL PANEL** from within the MY COMPUTER icon.
 - Select **SYSTEM** from within the CONTROL PANEL group
 - Select **DEVICE MANAGER** tab from within the SYSTEM group
 - Select the **OTHER DEVICES** category from within the DEVICE MANAGER listing.
 - Select the **PCI-SCSI Bus Controller** sub-category from within the OTHER DEVICES listing.
 - In the Initio PCI-SCSI Bus Controller Properties window, select the **DRIVER** tab, then select "**CHANGE DRIVER...**".
 - In the SELECT HARDWARE TYPE window, select **SCSI CONTROLLERS**.
 - In the SELECT DEVICE window, select "**HAVE DISK...**".
- 3 In the INSTALL FROM DISK window, enter the Initio Driver path name:
 - Insert the **INI-9XXXU/9XXXUW DRIVER DISK 1** into drive A:
 - Type: **A:\WIN95**, select "**OK**"
- 4 Select **Initio INI-9XXXU/UW PCI SCSI Host Adapter**, select "**OK**", then "**OK**" again to install the INI910U.MPD driver onto your hard disk drive. *It may be necessary to direct Windows to look for the driver in A:\win95 before the driver can be copied. This step may need to be repeated more than once.*
- 5 Following installation of the Initio INI-9XXXU/UW Windows 95 driver for all channels, reboot your system to activate the SCSI device driver.
- 6 It is highly recommended that you Initio's Windows 95 device driver has been properly installed by selecting **MY COMPUTER** from the desktop. Then select **CONTROL PANEL**:
 - Select **SYSTEM** from within the CONTROL PANEL group,
 - Select **DEVICE MANAGER** from within the SYSTEM group,
 - Select **SCSI CONTROLLER** from within the DEVICE MANAGER listing, and
 - Select **Initio INI-9XXXU/UW PCI SCSI Host Adapter** from within the SCSI CONTROLLER listing. If "This device is working properly" is displayed on your screen, the driver has been correctly installed.

Microsoft Windows 95/95b (OSR2) Driver Installation

Adding the Initio Driver to an Existing Windows 95/95a System

These instructions will guide you through the installation of the Initio host adapter to an existing Windows 95 system. Windows 95 will automatically detect the presence of new hardware in Plug and Play compliant systems. It is important that the Initio hardware has been properly installed before proceeding further.

- 1 Microsoft Windows 95 will detect the presence of new hardware upon boot-up and will display a dialog window titled NEW HARDWARE FOUND and PCI SCSI BUS CONTROLLERS will be highlighted.
 - Select: **DRIVER FROM DISK PROVIDED BY HARDWARE MANUFACTURER**, then "OK"
 - Select **SCSI CONTROLLER** from the list of available devices, then select "**HAVE DISK...**"
- 2 In the INSTALL FROM DISK window that is displayed, enter the Initio Driver path name:
Insert **INI-9XXXU/9XXXUW DRIVER DISK 1** into drive A:
Type: **A:\WIN95**, select "OK"
- 3 Select **Initio INI-9XXXU/UW PCI SCSI Host Adapter**, select "OK", then "OK" again to install the INI910U.MPD driver onto your hard disk drive. *It may be necessary to direct Windows to look for the driver in A:\win95 before the driver can be copied. This step may need to be repeated more than once.*
- 4 This completes loading the Host Adapter Driver. You must now reboot your system to activate the SCSI device driver. .
- 5 It is highly recommended that you verify Initio's Windows 95 device driver by selecting **MY COMPUTER** from the desktop. Then select **CONTROL PANEL**:
 - Select **SYSTEM** from within the CONTROL PANEL group,
 - Select **DEVICE MANAGER** from within the SYSTEM group,
 - Select **SCSI CONTROLLER** from within the DEVICE MANAGER listing, and
 - Select the **Initio INI-9XXXU/UW PCI SCSI Host Adapter** from within the SCSI CONTROLLER listing. If "This device is working properly" is displayed on your screen, the driver has been correctly installed.

Microsoft Windows 95/95b (OSR2) Driver Installation

Updating the Initio Windows 95/95a Device Driver

- 1 Once a Windows 95 session is established, use your installed mouse or the appropriate key strokes to select **MY COMPUTER** from the Main Desktop. Execute the following steps:
 - Select **CONTROL PANEL** from within the MY COMPUTER group.
 - Select **SYSTEM** from within the CONTROL PANEL group.
- 2
 - Select the **DEVICE MANAGER** tab from within the SYSTEM group.
 - Select the **SCSI CONTROLLERS** category from within the DEVICE MANAGER listing.
 - Select one of the **Initio INI-9XXXU/UW PCI SCSI Host Adapter** sub-categories from within the SCSI CONTROLLERS listing (or select any other INI-9100U/UW class of drivers if you are using an older Initio board).
 - In the INI-9XXX SCSI HOST ADAPTER PROPERTIES window, select the **DRIVER** tab, then select "**CHANGE DRIVER...**".
 - In the SELECT DEVICE window, select "**HAVE DISK...**".
- 3 In the INSTALL FROM DISK window, enter the Initio Driver path name:
 - Insert the **INI-9XXXU/9XXXUW DRIVER DISK 1** into drive A:
 - Type: **A:\WIN95**, select "**OK**"
- 4 Select **Initio INI-9XXXU/UW PCI SCSI Host Adapter**, select "**OK**" to install the INI910U.MPD driver onto your hard disk drive.

It may be necessary to direct Windows to look for the driver in A:\win95 before the driver can be copied. This step may need to be repeated more than once.

This completes updating the Host Adapter Driver. Follow the on-screen directions to restart you computer and activate the new driver.

It is highly recommended that you verify Initio's Windows 95 device driver by selecting **MY COMPUTER** from the desktop. Then select **CONTROL PANEL**:

- Select **SYSTEM** from within the CONTROL PANEL group,
- Select **DEVICE MANAGER** from within the SYSTEM group,
- Select **SCSI CONTROLLER** from within the DEVICE MANAGER listing, and
- Select the **Initio INI-9XXXU/UW PCI SCSI Host Adapter** from within the SCSI CONTROLLER listing. If "This device is working properly" is displayed on your screen, the driver has been correctly installed.

Microsoft Windows 95/95b (OSR2) Driver Installation

New Windows 95B (OSR2) Installation

These instructions will guide you through the installation of the Initio host adapter driver while installing Windows 95B (OSR2). Windows 95B will be installed from either a CD-ROM or floppy diskettes. It is important that the hardware and DOS 4.01 or higher have been installed successfully before proceeding further. If installing from a SCSI CD-ROM drive, it is important that the Initio ASPI driver, and CD-ROM driver be installed before proceeding further.

- 1 Access the Windows 95B CD-ROM either from the DOS prompt or from Microsoft Windows 3.x File Manager. Execute the SETUP.EXE program and follow the instructions on your screen. If you are installing from floppy diskette, insert the Windows 95 Setup Disk 1 in your floppy disk drive and boot your system. Follow the instructions on your screen.
- 2 Once a Windows 95 session is established, use your installed mouse or the appropriate key strokes to select **MY COMPUTER** from the MAIN DESKTOP. Execute the following steps:
 - Select **CONTROL PANEL** from within the MY COMPUTER group
 - Select **SYSTEM** from within the CONTROL PANEL group,
 - Select **DEVICE MANAGER** tab from within the SYSTEM group
 - Select the **OTHER DEVICES** category from within the DEVICE MANAGER listing
 - Select one of the **PCI-SCSI Bus Controller** sub-category from within the OTHER DEVICES listing
 - In the Initio PCI-SCSI Bus Controller Properties window, select the **DRIVER** tab, then select **"UPDATE DRIVER..."**
 - Insert **INI-9XXXU/9XXXUW DRIVER DISK 1** into drive A:
 - Select **YES**, click **Next**, and Windows will search for the driver
 - Select the **OTHER LOCATION**
 - Type **A:\WIN95**, then select **"OK"**
 - Select **"FINISH"**
 - At window "Insert Disk labled INI-9XXXU/9XXXUW driver" , select **"OK"**
 - At window titled **"Copying file"**, replace the highlighted directory path with **A:\WIN95**, then select **"OK"** this will complete loading the INI910U.MPD driver onto your hard disk drive.
- 3 Following installation of the Initio INI-9XXXU/UW Windows 95 driver, reboot your system to activate the SCSI device driver.
- 4 It is highly recommended that you verify Initio's Windows 95 device driver by selecting **MY**

Microsoft Windows 95/95b (OSR2) Driver Installation

COMPUTER from the desktop. Then select **CONTROL PANEL**:

- Select **SYSTEM** from within the CONTROL PANEL group,
- Select **DEVICE MANAGER** from within the SYSTEM group,
- Select **SCSI CONTROLLER** from within the DEVICE MANAGER listing, and
- Select the **Initio INI-9XXXU/UW PCI SCSI Host Adapter** from within the SCSI CONTROLLER listing. If "This device is working properly" is displayed on your screen, the driver has been correctly installed.

This completes loading the Host Adapter Driver, follow the on-screen directions to complete the Windows 95 installation. Exit and reboot the system to activate the device driver.

Adding the Initio Driver to an Existing Windows 95B (OSR2) System

These instructions will guide you through the installation of the Initio host adapter to an existing Windows 95 system. Windows 95 will automatically detect the presence of new hardware in Plug and Play compliant systems. It is important that the Initio INI-9XXX hardware has been properly installed before proceeding further.

- 1 Microsoft Windows 95 will detect the presence of new hardware upon boot-up and will display a dialog window titled "**update Device driver wizard**"
- 2 Insert the **INI-9XXXU/9XXXUW DRIVER DISK 1** into floppy drive,:
 - Select "**NEXT**"
 - Select the "**OTHER LOCATION**"
 - Type **A:\Win95**, then select "**OK**"
 - Select "**FINISH**"
 - At window "Insert Disk labled INI-9XXXU/9XXXUW driver", select "**OK**"
 - At window titled "**Copying file**", replace the highlighted directory path with **A:\Win95**, then select "**OK**" this will complete loading the INI910U.MPD driver onto your hard disk drive. Restart your computer.
- 3 It is highly recommended that you verify Initio's Windows 95 device driver by selecting **MY COMPUTER** from the desktop. Then select **CONTROL PANEL**:
 - Select **SYSTEM** from within the CONTROL PANEL group,
 - Select **DEVICE MANAGER** from within the SYSTEM group,
 - Select **SCSI CONTROLLER** from within the DEVICE MANAGER listing, and
 - Select the **Initio INI-9XXXU/UW PCI SCSI Host Adapter** entries from within the SCSI CONTROLLER listing. If "This device is working properly" is displayed on your screen, the driver has been correctly installed.

Microsoft Windows 95/95b (OSR2) Driver Installation

Updating the Initio Windows 95B (OSR2) Device Driver

- 1 Once a Windows 95 session is established, select **MY COMPUTER** from your desktop. Execute the following steps:
 - Select **CONTROL PANEL** from within the MY COMPUTER group
 - Select **SYSTEM** from within the CONTROL PANEL group
 - Select the **DEVICE MANAGER** tab from within the SYSTEM group
 - Select the **SCSI CONTROLLERS** category from within the DEVICE MANAGER listing
 - Select the **Initio INI-9XXXU/UW PCI SCSI Host Adapter** sub-categories from within the SCSI CONTROLLERS listing (or any other INI-9100U/UW class of drivers if you are using an older Initio product)

- 2 In the INI-9XXXU/9XXXUW SCSI HOST ADAPTER PROPERTIES window, select the **DRIVER** tab, then select "**UPDATE DRIVER...**"
 - Select "**Next**"
 - Select the "**OTHER LOCATION**"
 - Type **A:\WIN95**, then select "**OK**"
 - Select "**FINISH**"
 - At prompt "Insert Disk labled INI-9XXXU/9XXXUW driver ," select "**OK**"
 - At prompt "Copying file", replace the highlighted directory path with **A:\Win95**, then select "**OK.**" This will complete loading the INI910U.MPD driver onto your hard disk drive.

This completes updating the Host Adapter Driver. Follow the on-screen directions to restart you computer and activate the new driver.

It is highly recommended that you verify Initio's Windows 95 device driver by selecting **MY COMPUTER** from the desktop. Then select **CONTROL PANEL**:

- Select **SYSTEM** from within the CONTROL PANEL group,
- Select **DEVICE MANAGER** from within the SYSTEM group,
- Select **SCSI CONTROLLER** from within the DEVICE MANAGER listing, and
- Select the **Initio INI-9XXXU/UW PCI SCSI Host Adapter** entries from within the SCSI CONTROLLER listing. If "This device is working properly" is displayed on your screen, the driver has been correctly installed.

Microsoft Windows NT Driver Installation

7

Overview

INI-9090U will support Windows NT v3.5x/4.0 with the addition of a software driver. A software driver allows the host computer the ability to transfer data over the SCSI bus. The device driver for Windows NT is copied from the Initio driver installation diskette to your hard drive where it is loaded onto the computing system during installation.

The following files are used for installation and may be found on the **INI-9XXXU/9XXXUW DRIVER DISK 1**:

\\WINNT\INI910U.SYS	INI-9XXX SCSI Host Adapter Windows-NT miniport driver.
\\WINNT\TXTSETUP.OEM	Script file for installing INI910U.SYS during the text setup phase.
\\WINNT\OEMSETUP.INF	Script file for installing INI910U.SYS during the windows phase.

Installation

The INI-9XXX driver developed for Windows NT will be installed on the hard drive used for system initialization. The driver is loaded during the system boot routine and will remain resident on the drive. This is accomplished by following one of the two installation procedures listed:

- New Windows NT installation
- Adding or updating the INI-9XXX Host Adapter Driver to an existing Windows NT System

The procedures described to make changes to the system have distinct differences. It is strongly suggested that the selected procedure be read and understood before proceeding with the system configuration changes. Please read the instructions carefully.

New Windows NT Installation

These instructions will guide you through the installation of the Initio host adapter driver while installing Windows NT 4.0. Windows NT will be installed from either floppy diskettes or CD-ROM. The Windows NT driver is located on the **INI-9XXXU/9XXXUW DRIVER DISK 1**. It is important that the hardware has been installed successfully before proceeding further.

- 1 If you are installing Windows NT from floppy diskettes, locate the Windows NT Disk 1 for Floppy Installation. Make a backup copy of this diskette before installation.

Microsoft Windows NT Driver Installation

- 2 If you are installing Windows NT from a CD version, locate the Windows NT Setup Disk for CD-ROM Installation. Make a backup copy of this diskette before installation.
- 3 Insert the backup Windows NT Setup disk into drive A: and turn on your computer.
- 4 Follow the instructions on the screen until you come to a window titled: "WINDOWS NT WORKSTATION SETUP" (*for servers, it will read "WINDOWS NT SERVER SETUP"*).
 - Press "**ENTER**" to continue setting up Windows NT.
 - Select "**S**" to skip mass storage detection.
 - Select "**S**" to configure additional SCSI adapters.
- 5 When prompted by the Windows NT installation, scroll down the list and select "**OTHER (Requires disk provided by a hardware manufacturer)**" from the list of Additional SCSI Adapters. A message will appear on screen stating to:
 - Remove diskette in drive A and set it aside.
 - Insert **INI-9XXXU/9XXXUW DRIVER DISK 1** and press **<ENTER>**.
 - **Select:** Initio INI-9XXX SCSI Host Adapter and press **<ENTER>**.
- 6 The Initio host adapter driver is now installed. The on-screen instructions will continue for a complete installation of Windows NT. Refer to your Windows NT users manual for completion of the operating system installation procedure.

Adding or updating the Initio driver to an existing Windows NT system:

For computer systems using other SCSI host adapters or an IDE drive to provide the system boot routine, these instructions will guide you through the INI-9XXX host adapter driver installation. The Windows NT driver will be found on the **INI-9XXXU/9XXXUW DRIVER DISK 1**. It is important that the SCSI bus hardware and Windows NT are installed and configured before proceeding further.

- 1 Once a Windows NT session is established, use your installed mouse or the appropriate key strokes to select **MY COMPUTER** from the Main Desktop. Execute the following steps:
 - Select **CONTROL PANEL** from within the MY COMPUTER group.
 - Select **SCSI ADAPTERS** from within the CONTROL PANEL group.
- 2 Select the **DRIVERS** tab from within the SCSI ADAPTERS group.
 - In the DRIVERS window, select "**ADD...**"
- 3 In the INSTALL DRIVER window, select "**HAVE DISK...**".

Microsoft Windows NT Driver Installation

- 4 In the INSTALL FROM DISK window that is displayed, enter the Initio Driver path name:
 - Insert **INI-9XXXU/9XXXUW DRIVER DISK 1** into drive A:
 - Type: **A:\WINNT**, select "**OK**"
- 5 Select **Initio INI-9XXXU/UW PCI SCSI Host Adapter**, select "**OK**" to install the INI910U.SYS driver onto your hard disk drive.
- 6 In the WINDOWS NT SETUP window that is displayed, enter the Initio Driver path name to continue:
 - Type: **A:\WINNT**, select "**CONTINUE**"
- 7 This completes updating the Host Adapter Driver. Follow the on-screen directions to restart your computer and activate the new driver
- 8 It is highly recommended that you verify Initio's Windows NT device driver has been properly installed by selecting **MY COMPUTER** from the desktop. Then select **CONTROL PANEL**:
 - Select **SCSI ADAPTERS** from within the CONTROL PANEL group,
 - Select **Initio INI-9XXXU/UW PCI SCSI Host Adapter** from within the SCSI CONTROLLER listing. If "This device is working properly" is displayed on your screen, the driver has been correctly installed.

Installing a new Windows NT system and Initio driver without floppy disks

For computer systems installing or upgrading to Windows NT from a floppyless setup such as a share on your network, these instructions will guide you through the INI-9XXXU/9XXXUW host adapter driver installation. The Windows NT drivers are located on the **INI-9XXXU/9XXXUW DRIVER DISK 1**. It is important that the hardware has been installed successfully before proceeding further.

- 1 Execute a floppyless setup as described by the *Windows NT System Administrator's Guide*
- 2 When SETUP begins to load, the screen will turn from black to blue with the text "SETUP IS INSPECTING YOUR COMPUTER'S HARDWARE CONFIGURATION..." at the top
 - Press the **F6** key to interrupt this process. You will have two seconds in which to press this key

Microsoft Windows NT Driver Installation

- Follow the instructions on the screen until you are asked to specify a SCSI driver.
- 3 Insert the **INI-9XXXU/9XXXUW DRIVER DISK 1** into your local floppy disk drive, and press **<ENTER>**.
 - Select: **Initio INI-9XXXU/UW PCI SCSI Host Adapter**
 - 4 The Initio host adapter driver is now installed

The on-screen instructions will continue for a complete installation of Windows NT. Refer to your *Windows NT System Administrator's Guide* for completion of the operating system installation procedure.

Installing a new Windows NT system from a Bootable CD

For computer systems installing or upgrading to Windows NT from a bootable CD, these instructions will guide you through the INI-9XXXU/9XXXUW host adapter driver installation. The Windows NT driver will be found on the **INI-9XXXU/9XXXUW DRIVER DISK 1**. It is important that the hardware has been installed successfully before proceeding further.

- 1 Boot your system from a Windows NT CD.
- 2 When initial boot screen (Black and white screen prior to blue screen) shows the message, "Setup is inspecting your computers hardware configuration," press **F6**.
- 3 A setup screen will appear asking which drivers you wish to use.
- 4 Press the appropriate key to add driver and select other.
- 5 Windows NT will prompt you for a manufacturer's supplied disk.
- 6 Insert the Initio manager set floppy (marked **INI-9XXXU/9XXXUW DRIVER DISK 1**) and press ENTER. The host adapter should be recognized by Windows NT and the driver will be allowed to load. The operating system will continue loading and should recognize the hard drives.

Novell NetWare Driver Installation

8

Overview

INI-9090U will support Novell NetWare 386 V4.XX or V3.1X with the addition of a software driver. The installation procedure described here requires some experience in Novell system setup and administration. The device driver is transferred from the **INI-9XXXU/9XXXUW DRIVER DISK 1** to the hard drive where it is automatically initialized during the system boot routine. The device drivers listed can support NetWare versions described after the Initio file name:

NETWARE\31X\INI910U.DSK	Initio Novell adapter driver for V3.1X
NETWARE\31X\ASPITRAN.DSK	ASPI transport layer driver for V3.1X
NETWARE\4X\INI910U.DSK	Initio Novell adapter driver for V4.X or later
NETWARE\4X\INI910U.DDI	Device driver installation file
NETWARE\4X\ASPITRAN.DSK	ASPI transport layer driver for V4.X or later
NETWARE\HAM\INI9100.HAM	HAM device driver
NETWARE\HAM\INI9100.DDI	HAM device driver installation file

Installation

The drivers developed by Initio for NetWare will be installed on the disk drive used for NetWare system initialization. It is strongly recommended that the selected procedure be read and understood before continuing with the system configuration or change. Please read the instructions carefully.

New IntraNetWare Installation

Drivers for the Initio host adapter may be found on the **INI-9XXXU/9XXXUW DRIVER DISK 1**. In most cases you will load the drivers during a new installation of NetWare from CD-ROM. The driver is loaded during the NetWare Server Installation procedure. The NetWare installation program will prompt you for the required parameters as the installation procedure progresses. It is highly recommended that you have a copy of the Novell NetWare Installation and Upgrade Manual for reference.

- 1 At the MS-DOS prompt for CD-ROM installation, change directories to where the installation files are located.
e.g., **d:\ <ENTER>**
- 2 Type **INSTALL <ENTER>** to initialize the installation routine
- 3 Select installation Language. **<ENTER>**.
- 4 Select **NetWare Server Installation <ENTER>**
- 5 Select product type **<ENTER>**

Novell NetWare Driver Installation

- 6 Select installation type. <ENTER>
- 7 Enter server name when prompted <ENTER>
At this point the boot files will be copied to the hard drive.
- 8 After the files are finished being copied you may encounter the following message:

**Install found the following hardware but found
More than one driver supporting this hardware**

PCI.XXXX.XXXX.XXXX.XXXX.XX

**Press <Enter> for a list of drivers to choose
From or <F3> to continue without selecting**

Press <F3> to continue. Repeat if this screen is shown again.

- 9 A screen listing the drivers will be displayed. **INI9100** will be listed as the selected driver. This completes loading the Host Adapter Driver, Follow the on-screen directions to complete the Novell NetWare installation.

This will load the HAM driver. If a DSK driver is required or an updated HAM driver is needed it is recommended that you complete the installation and use NetWare's **INSTALL** utility to update/change the driver.

Adding the Initio driver to an existing IntraNetWare system

- 1 To begin the installation you will need to change the directory to the location of the server and initialize the network server, e.g.,
Type **CD \NWSERVER** <ENTER>
Type **SERVER** <ENTER>
- 2 At the NetWare prompt, Type **LOAD INSTALL** <ENTER>.
- 3 Select **Driver Options** from the window by highlighting it using the UP or DOWN ARROW keys, press <ENTER>
 - Select **Configure disk and storage device drivers** from the window by highlighting it using the UP or DOWN ARROW keys, press <ENTER>
- 4 Highlight **Discover and load additional drivers** and press <ENTER>
- 5 NetWare will load **INI9100.HAM** modify the **STRATUP.NCF** file to reflect the new changes.

Novell NetWare Driver Installation

Upgrading/Changing Driver on an Existing IntraNetWare Server

- 1 To begin the you will need to change the directory to the location of the server and initialize the network server, e.g.,
Type **CD \NWSERVER <ENTER>**
Type **SERVER <ENTER>**
- 2 At the NetWare prompt, Type **LOAD INSTALL <ENTER>**.
- 3 Select **Driver Options** from the window by highlighting it using the UP or DOWN ARROW keys, press **<ENTER>**
 - Select **Configure disk and storage device drivers** from the window by highlighting it using the UP or DOWN ARROW keys, press **<ENTER>**
- 4 Highlight **Deselect a selected driver** and press **<ENTER>**
- 5 Highlight the driver you wish to replace/upgrade and press **<ENTER>**
Repeat steps 4 and 5 for each instance of the driver
- 6 When all of the drivers you wish to upgrade/replace have been removed highlight **Select an additional driver** and press **<ENTER>**
- 7 Press **<INS>** followed by **<F3>**
- 8 Enter the location path of the drivers **A:**
- 9 Select the driver you wish to load **INI9100.HAM** or **INI910U.DSK** and press **<ENTER>**

If the **HAM** driver(s) are being used proceed to step 10. If you use the **DSK** driver the upgrade is complete and you may exit the install utility.
- 10 Highlight **Select and modify parameters** and press **<ENTER>**
Enter the slot number and press **<F10>** to continue
- 11 Highlight **Save parameters and continue** and press **<ENTER>**
- 12 Repeat steps 6 through 11 for each additional adapter installed

Novell NetWare Driver Installation

Device driver command line options

The Initio device drivers support command line switches to optimize driver performance. However, in certain situations some driver optimization may be advantageous to system performance.

NetWare offers two means of entering command line switches. One method is for session usage and needs to be entered each time the system is rebooted.

Load (Pathname) ini910u [Driver Config Option]

The second method listed is for permanent installation. In startup.ncf you can include the following statement.

Load (Pathname) ini910u [Driver Config Option]

OR

Load (Pathname) INI9100 [Driver Config Option]

Driver Config Options:

/V	Verbose Mode provides detail information about driver on system command line when driver is initialized.
/!V	Non Verbose Mode (default)
/L	Driver assumes that all targets have more than one LUN
/!L	Driver assumes that all targets only have LUN 0 (default)
/T:xxxx	Target enable mask WORD (Default scan all targets)
/B:b,dd	Scan device only on PCI BUS #b, PCI DEVICE #dd
/B:b	Scan all the devices on PCI BUS #b (from 0 to 7)
/Q:q	Specifies maximum number of tag commands per target (default 4)
/!Q	No tag
/WR	Read after write, hardware verify
/!WR	Not verified (default)
/R	Support removable media (default)
/!R	Will not support removable media
/D	Enable support for fixed disk drive (default)
/!D	Disable support for fixed disk drive

9

Overview

The INI-9090U OS/2 driver will support OS/2, 3.0 & 4.0. The device driver for OS/2 is copied from the **INI-9XXXU/9XXXUW DRIVER DISK 1** to your hard drive where it is initialized during boot-up.

The installation of Initio device drivers to support OS/2 include the following software files and may be found on the **INI-9XXXU/9XXXUW DRIVER DISK 1**:

\\OS2\\INI910U.ADD	INI-9XXX SCSI Host Adapter OS/2 driver.
\\OS2\\INI910U.DDP	Script file for installing INI910U.ADD

Installation

The INI-9XXX driver developed for OS/2 will be installed on the disk drive used for system initialization. The driver is loaded during the system boot routine and will remain resident on the drive. Installation of the drivers can be accomplished by following one of the procedures listed:

- New OS/2 Installation
- Adding INI-9XXX host adapter to existing OS/2

The steps used to install the Initio drivers have different system requirements that may affect basic operation if not installed properly. It is strongly suggested that the selected procedure be read and understood before proceeding. Please read all instructions carefully.

New OS/2 installation:

These instructions will guide you through the Initio OS/2 device driver and OS/2 installation at the same time. The program can be installed from floppy diskettes or from CD-ROM. The OS/2 driver for the INI-9XXX will be found on the **INI-9XXXU/9XXXUW DRIVER DISK 1**. It is important that the INI-9XXX hardware has been installed successfully before proceeding further.

- 1 Make a duplicate copy of **OS/2 Diskette 1** using a blank diskette and label it as "OS/2 Diskette 1 for INI-9XXX".
- 2 Copy the **INI910U.ADD** file from the **INI-9XXXU/9XXXUW DRIVER DISK 1** (OS/2 subdirectory) to the root directory on the "OS/2 diskette 1 for INI-9XXX".

IBM OS/2 Driver Installation

- 3 Using an appropriate text editor modify the CONFIG.SYS on the OS/2 Diskette 1 for INI-9XXX to include the new Initio driver.
Enter: **BASEDEV=INI910U.ADD** and save the file.
* * * note place lines after 'set os2_shell=cdint.exe' * * *
BASEDEV=AM201X8.ADD
set copyfromfloppy=1
- 4 Insert the **Installation Diskette** into drive A: and turn on your computer. This will begin the OS/2 installation and establish an OS/2 bootable hard drive.
- 5 When prompted, insert the "OS/2 Diskette 1 for INI-9XXX." Follow the on-screen instructions to continue.
- 6 You have completed the Initio device driver installation for OS/2. Follow the on-screen instructions and OS/2 manual for a complete description of OS/2 installation.

Adding the Initio driver to an existing OS/2 system

For computer systems using other SCSI host adapters or an IDE device to provide the system boot routines, these instructions will guide you through INI-9XXX host adapter driver installation. The OS/2 driver will be found on the **INI-9XXXU/9XXXUW DVR DISK 1**. It is important that the SCSI bus hardware and OS/2 are installed correctly before proceeding further.

- 1 Once an OS/2 session is established, insert the **INI-9XXXU/9XXXUW DRIVER DISK 1** into your floppy drive.
- 2 By using your installed mouse, or by using the appropriate key strokes, select **DEVICE DRIVER INSTALL** from the SYSTEM SETUP group.
- 3 Select **CHANGE** source directory to read as the root directory.
- 4 Select **OS2** and select **SET**.
- 5 Select **DESTINATION DIRECTORY**.
- 6 Select **CHANGE** destination directory to any existing OS/2 directory or accept the default.
- 7 Select **SET**.

IBM OS/2 Driver Installation

- 8 From the DEVICE DRIVER INSTALLATION GROUP select **INSTALL**.
- 9 Select **INITIO INI-9XXX Device Driver for OS/2** select "OK".
- 10 Select **EXIT** to install the OS/2 device driver. Exit and reboot the system to activate the device driver.

Device driver command line options

The Initio device drivers support command line switches to optimize driver performance. Device drivers normally require no further information to work effectively. However, in certain situations some driver optimization may be advantageous to system performance. From inside the CONFIG.SYS file use the following format to edit the file.

The standard format for command line switches is:

```
BASEDEV = INI910U.ADD [Driver Config Option]
```

Driver Config Options:

/V	Verbose Mode provides detail information about driver on system command line when driver is initialized.
/!V	Non Verbose Mode (default)
/ET	Driver assumes that all targets have more than one LUN
/!ET	Driver assumes that all targets only have LUN 0 (default)
/T:hhh	Target enable mask WORD (Default scan all targets) in hex format
/B:b,dd	Scan device only on PCI BUS #b, DEVICE #dd (in decimal format)
/B:b	Scan all the devices on PCI BUS #b (from 0 to 7)
/A:n	Assigns adapter number based on BIOS address
/DM:t,t,t	Enable direct access storage device (DASD) support
/!DM:t,t,t	Disable DASD manager support
/SM:t,t,t	Enable SCSI manager support
/!SM:t,t,t	Disable SCSI manager support
/Q:q	Specifies maximum number of tag commands per target
/!Q	No tag

10 Overview

The INI-9090U SCO UNIX device driver will support SCO UNIX System V/386 Release 3.2v4.0 or later, SCO Open Desktop v2.0, v3.0 or later, and SCO Open Server Release 3.0 & 5.0.x. The device driver is transferred from the floppy diskette to the hard drive where it's loaded during system initialization.

The installation of Initio device drivers to support SCO UNIX include the following software files and may be found on the **INI-9XXXU/9XXXUW DRIVER DISK 2**.

Driver.o	Device driver object file
Space.c	Device driver definition file

Reference Documentation:

- SCO UNIX documentation, installation and user's guide
- The systems setup and installation guide
- The documentation for system peripherals
- Initio documentation for the SCSI host adapter

Installation

The SCO UNIX drivers developed by Initio will be installed on the disk drive used for system initialization. It is strongly suggested that the selected procedure be read and understood before continuing with the system configuration or change. Please read the instructions carefully.

Updating interrupts and hardware settings

The following interrupt configuration settings are suggested as the most effective means of providing a controller interrupt to the host adapter:

- Host Adapter interrupt levels available are 9, 11, 15, (IRQ 11 is recommended)
- Avoid using interrupt 10 as the controller interrupt.
- Set first SCSI disk ID to 0 (first time install requirement)
- Set tape target ID to 2. (If tape is in use)
- Set CD-ROM target ID to 5. (If CD-ROM is in use)

Please Refer to your system documentation to set the interrupt levels and your peripheral documentation for help in setting SCSI IDs.

SCO Unix Driver Installation

Installing the Initio driver in a new SCO UNIX system

- 1 Insert the SCO UNIX N1 boot disk into the floppy drive and turn on the system. At the SCO UNIX boot prompt, type: **link < ENTER >**.
- 2 The system will ask you what packages you want linked to the system; type: **i91u < ENTER >**. The system at this point will boot into SCO UNIX. Please refer to the SCO UNIX Documentation for additional information. When prompted by the installation, insert the **INI-9XXXU/9XXXUW DRIVER DISK 2** diskette into your floppy drive; Press **< ENTER >**
- 3 Please refer to the SCO UNIX Documentation for additional information. You have completed the installation of the SCO UNIX driver.

Adding the Initio driver to an existing SCO UNIX system

- 1 Insert the **INI-9XXXU/9XXXUW DRIVER DISK 2** diskette into your floppy drive.
- 2 Type: "**installpkg**" under the command prompt, **< ENTER >**
- 3 The system will ask you what packages you wish to install.
Type: **i91u < ENTER >**
- 4 Change the directory and rebuild the UNIX kernel:
 - **cd /etc/conf/cf.d < ENTER >**
 - **./link_unix < ENTER >**
- 5 You have completed the link procedure for the Initio device driver. Exit and reboot the system.

SCO Unix Driver Installation

Changing to the INI-9XXX as the bootable host adapter:

- 1 Insert the **INI-9XXU/9XXUW DRIVER DISK 2** diskette into floppy drive.
- 2 Type: "**installpkg**" under command prompt and press **<ENTER>**. The system will ask you what packages you want to install.

- Type: **i91u <ENTER>**

- 3 Change the mscsi file:

- **cd /etc/conf/cf.d < ENTER >**
- **cp mscsi mscsi.bak < ENTER >**
- **vi mscsi < ENTER >**

In the example below, The XXXX would be replaced with **i91u**.

ha	attach	number	ID	lun
XXXX	Stp	0	2	0
XXXX	Sdsk	0	0	0
XXXX	Srom	0	5	0

- 4 Rebuild the UNIX kernel:
 - **./link_unix < ENTER >**
- 5 You have completed the link procedure for the Initio device driver. Exit and reboot the system.

SCO UnixWare Driver Installation

11 Overview

The INI-9090U SCO UnixWare device driver will support UnixWare 2.x. The device driver is transferred from the floppy diskette to the hard drive where it is loaded during system initialization.

The installation of Initio device drivers to support SCO UnixWare may be found on the **INI-9XXXU/9XXXUW DRIVER DISK 2**.

Installation

The SCO UnixWare drivers developed by Initio will be installed on the disk drive used for system initialization. It is strongly suggested that the selected procedure be read and understood before continuing with the system configuration or change. Please read the instructions carefully.

Updating interrupts and hardware settings

The following interrupt configuration settings are suggested as the most effective means of providing a controller interrupt to the host adapter:

- Host adapter interrupt level must be set to IRQ 10 for proper installation of the Initio driver.

Please refer to your system documentation to set the interrupt levels and your peripheral documentation for help in setting SCSI IDs.

Installing the Initio driver in a new UnixWare system

Drivers for the host adapter may be found on the **INI-9XXXU/9XXXUW DRIVER DISK 2**. In most cases you will load the drivers during a new installation of UnixWare from CD-ROM. The driver is loaded during the early stages of the installation procedure. The UnixWare installation program will prompt you for the required parameters as the installation procedure progresses. It is highly recommended that you have a copy of the SCO UnixWare Installation Handbook and SCO UnixWare System Owner Handbook for reference.

- 1 Insert the "SCO UNIXWARE INSTALLATION DISKETTE" into the floppy drive and turn on the computer. Follow the on-screen installation instructions.

SCO UnixWare Driver Installation

- 2 When prompted to **INSTALL HOST BUS ADAPTER DRIVERS**, insert the **INI-9XXXU/9XXXUW DRIVER DISK 2** into drive A: press **<Enter>**.
- 3 When prompted to **INSTALL ANOTHER HBA DISKETTE**, press **<ENTER>** to continue.
- 4 Follow the directions on screen until you come to a window titled: Loading Initio INI-9XXX Host Adapter.
 - Select **CONTINUE INSTALLATION**.
 - Select **CONTINUE INSTALLATION** again.
- 5 This completes loading the host adapter driver. Follow the on-screen directions to complete the SCO UnixWare installation. For further information regarding UnixWare installation, refer to the SCO UnixWare Installation Handbook.

Adding the Initio driver to an existing UnixWare system

- 1 Once a UnixWare session is established and a command prompt is ready, type (recall that UnixWare is case sensitive):
 - **cp /stand/unix /stand/unix.org** , press **<ENTER>**
 - **pkgadd -d diskette1** , press **<ENTER>**
- 2 Select **i910u ihv hba** from the list of available host drivers, press **<ENTER>**.
- 3 If the INI-9XXX is intended to be the bootable host adapter, the next step to updating the driver will require a revision to the **I910u** file. These instructions will guide you through changing the current software settings for UnixWare to establish the INI-9XXX as the host adapter for your boot device:
 - At the system command prompt, type
 - **cd /etc/conf/sdevice.d**
 - Use "vi" or another editor to modify the file **I910u** by adding a line
 - locate the line **\$version2**
 - edit the file by adding the line **\$static** immediately following **\$version2**.
 - Rebuild the UnixWare kernel by completing the following steps at the command prompt :
 - **/etc/conf/bin/idbuild -B <ENTER>**
 - **cp /etc/conf/cf.d/unix /stand/unix <ENTER>**
 - **cd / <ENTER>**
 - **shutdown -g0 (0 is Zero) <ENTER>**
 - **Y <ENTER>**

SCO UnixWare Driver Installation

- 4 If the host adapter is **NOT** intended to be bootable, these instructions will guide you through changing the current software settings for UnixWare to establish the INI-9XXX as a non-bootable host adapter for your device:
 - At the system command prompt, type
 - `/etc/conf/bin/idbuild -M i910u <ENTER>`
 - `cd / <ENTER>`
 - `shutdown -g0 (0 is Zero) <ENTER>`
 - `Y <ENTER>`
- 5 Exit the UnixWare program and reboot your system to initialize the new device driver to control INI-9XXX.

Using Multiple Host Adapters

UnixWare is capable of supporting up to eight SCSI busses. If you choose to use multiple host adapters in your system, verify that each host adapter shared interrupt level is set to IRQ10. Please refer to your system documentation to set the interrupt levels.

Space for each host adapter in the system is configured and allocated by a separate line in the file `/ETC/CONF/SDEVICE.D/I910U`.

- 1 Verify that **Y** is selected in the second field at the line starting at **I910u** in the file `/ETC/CONF/SDEVICE.D/I910U` for each INI-9XXX in the system.

UnixWare will automatically rebuild the kernel when an additional INI-9XXX is detected.

Removing the Initio driver from a UnixWare system

- 1 Once a UnixWare session is established and a command prompt is ready, type (recall that UnixWare is case sensitive):

- Type: `/etc/conf/bin/idinstall -d i910u <ENTER>` to delete the following files:

```
/etc/conf/mdevice.d/i910u
/etc/conf/sdevice.d/i910u
/etc/conf/pack.d/i910u/driver.o
/etc/conf/pack.d/i910u/space.c
/etc/conf/pack.d/i910u/disk.cfg
```

```
/etc/conf/pack.d/i910u/disk.cfg
```

SCO UnixWare Driver Installation

- 2 Then rebuild the UnixWare kernel by executing the following commands at the system prompt:

```
/etc/conf/bin/idbiuld -B -K <ENTER>  
/cp /etc/conf/cf.d/unix /stand/unix <ENTER>  
cd/ <ENTER>  
shutdown -g0 (where 0 is Zero) <ENTER>  
Y <ENTER>
```

12 Overview

The INI-9090U Linux device driver may be found on the **INI-9XXXU/9XXXUW DRIVER DISK 1**. The Linux drivers developed by Initio will be installed on the disk drive used for system initialization. It is strongly suggested that you see the README file within the *Linux* Folder before continuing with the system configuration or change. Please read the instructions carefully.

Initio also offers the S.u.S.E (GmbH) Linux Software Package. These files can be found on Initio's Technical Support website (www.initio.com/support.htm). They consist of the following files:

boot	This is a floppy image of a boot disk with Initio's Linux drivers.
initio-2.0.32.gz	This is a gzip patch file used to patch kernel sources with Initio's Linux drivers. <u>Installation Instructions:</u> <pre>cp initio-2.0.32.gz /usr/src/linux cd /usr/src/linux zcat initio-2.0.32.gz patch -p1 -s</pre>
rescue	This is a floppy image of a rescue disk.

If you are still having problems installing the Linux driver for your particular system, you can go directly to our Technical Support website (<http://www.initio.com>). There, you will get the latest updates and information regarding Linux drivers.

Troubleshooting

In the following section you will find commonly asked questions and answers to problems encountered during the installation of your host adapter.

Question: Why isn't the INI-9XXX banner "!!! Press <CTRL><I> for SmartSCSI Setup Utility !!!" displayed when I power up the host system?

Answer: Verify that all cabling to the host adapter is installed correctly, refer to the hardware installation section of this manual.

Question: On boot-up the message "SCSI BIOS Installed" is displayed, but my system hangs.

Answer: Verify that the CMOS interrupt structure is set to INTA and the CMOS IRQ level matches the jumper settings on the motherboard. Refer to your PC user manual.

Question: On boot-up, not all the peripherals are scanned and recognized.

Answer: Verify that each of the SCSI devices on the bus has its own distinct SCSI ID number and all peripherals are receiving power. Refer to your peripheral manual for information regarding changing SCSI ID's.

Verify the SCSI Termination is set correctly. Make sure the last peripheral on the SCSI bus has termination. See the peripheral manual for proper termination information.

After the above steps are executed, if you are still not recognizing all attached peripherals, configure the host adapter to operate in an Asynchronous Transfer mode by changing its setting under the SCSI Devices Setup section of the SmartSCSI Setup Utility. This feature is discussed thoroughly in the chapter entitled Host Adapter Setup.

Question: On boot-up I get a message "Missing Operating System", displayed. The boot drive is greater than 1 gigabyte.

Answer: Verify the "DOS SPACE> 1 GB" is enabled in the INI-9XXX SmartSCSI Setup Utility.

Question: Under SCO UnixWare, the system displays a panic message or crashes during bootup:

Answer: Reboot the system and verify that the INI-9100A is using IRQ10. Please Refer to your system documentation to set the interrupt levels and your peripheral documentation for help in setting SCSI ID's.

In order to boot from the old UnixWare kernel, reboot the system and execute the following steps:

- Begin an interactive boot session by pressing the <SPACEBAR> at the BOOTING UNIXWARE prompt.
- At the system [boot]# prompt, type **KERNEL=unix.org <ENTER>**
- Type **go <ENTER>**.

Troubleshooting

Consult the SCO *UnixWare Installation Handbook* "Troubleshooting" section to help isolate the problem. If it becomes necessary to remove the Initio device driver, please consult the "Removing the Initio Driver from a SCO UnixWare System" section of this document.

B: DOS Space > 1GB

The default disk head mapping for Initio SCSI host adapter is 255 heads and 63 sectors. This translates to a maximum accessible capacity of 8 GBytes per drive under MS-DOS.

Warning: If you have already installed the operating system on your hard drives, changing the head mapping will corrupt your files and cause other unexpected problems. Before changing any "DOS Space > 1GB" option setting, please back up your disk drives. Then you should run the FDISK utility to delete all the partitions on your selected disk drive. At this point you can switch the setting, reinstall the operating system, and restore your backed up files.

All device drivers for the INI-9100A Host Adapter will support different head mappings based on the setting of "DOS Space > 1GB" option.

MS-DOS, OS/2 & Windows NT

Under MS-DOS, OS/2 & Windows NT, we recommend you enable "DOS Space > 1GB" option if your SCSI hard disk has more than 1 GByte capacity.

SCO UNIX

SCO UNIX does not have a 1 GByte barrier. Therefore, the "DOS Space > 1GB" option is not required to be enabled; however, you must make sure the root file system is located below 1024 cylinders in order to perform the kernel boot routines. If the size of the root file system is greater than 1 GByte or the location of root file system is beyond 1 GByte, you should enable the "DOS Space > 1GB" option.

SCO UNIX can not support different head mappings for each disk drive under the same host adapter. The head mapping will be based on the setting represented by target ID 0.

Drives with Multiple Operating Systems

It is mandatory that the same head mapping be used across multiple operating systems on one drive. However you can use different head mappings on different drives with the exception of SCO UNIX. It is recommended that you enable "DOS Space > 1GB" option if the capacity of your SCSI hard disk has more than 1 GByte.

A

ASPI 15, 16
 ASPI CD-ROM Driver 17
 ASPI Disk Driver Command Line Options
 19
 ASPI Manager 17
 ASPI910U 17
 Autoexec.bat 18

B

BIOS 15
 bus 16

C

CD-ROM 18
 CONFIG.SYS 16
 CONTROL PANEL 22, 24, 27, 31

D

DEVICE MANAGER 23, 24, 28
 DEVICEHIGH= command 19
 Disk Access 16
 DOS 15
 DOS 4.01 21
 DOS ASPI 16
 DOSSETUP 15
 DSK drivers 34, 35

F

File Manager 22

H

HAM driver 34, 35
 HAVE DISK... 24
 Host Adapter Driver 23

I

I910u 46
 i910u ihv hba 46
 INI9100.HAM 34
 ini910U.DSK 34
 INI910U.INF 21
 INI910U.MPD 21, 23, 27, 28
 INI910U.SYS 29
 INICD.SYS 17
 INICD001 18
 Inidisk.sys 19
 INIFDISK, ASPI Partition & Format
 Utility 20
 INIFDISK.EXE 20
 Integrated Scatter/Gather Engine 3
 IRQ 45

K

KRNL32.DLL 21

L

Load (Pathname) ini910u 36

M

MO 19
 MS-DOS 16, 33
 MSCDEX.EXE 17

N

NetWare 33, 34
 NEW HARDWARE FOUND 23
 Novell 33
 Novell NetWare 33, 34

O

OEMSETUP.INF 29
OS/2 driver 37
OSR2 21, 25, 26

P

PCI SCSI BUS CONTROLLERS 23
PCI-SCSI Bus Controller 22
PROGRAM MANAGER 16

R

README.TXT 16

S

SCO UNIX 41
SCO UNIXWARE 45
SCO UnixWare 45
SCSI CONTROLLER 23, 31
SCSI CONTROLLERS 28
SCSI IDs 45
SETUPEXE 22
SYSTEM.INI 16

T

TXTSETUP.OEM 29

U

UnixWare 47
UPDATE DRIVER 28

W

Windows 3.x 25
Windows 95B 25, 26
WINDOWS NT WORKSTATION SETUP 30
Windows NT 29
Windows NT 4.0 29

Product Warranty

Initio Corporation warrants to the original purchaser that this product shall be free from defects in material and workmanship for a period of 5 years from the date of purchase. Should this product, in the judgment of Initio Corporation, prove to be defective, Initio Corporation will at its option repair or replace the product once it has been returned to Initio Corporation free of charge. Any replaced parts or products become the property of Initio Corporation. You may obtain warranty service by first getting authorization from Initio Corporation then returning this product with proof of delivery date, shipping charges prepaid, to Initio Corporation. This warranty does not apply to the software component of the product nor to any product which has been subjected to misuse, accident, abuse or use in a manner inconsistent with normal host adapter operations. The original purchaser must be registered with Initio Corporation (by mailing the Product Registration Card) to qualify for warranty coverage. This remedy is your exclusive remedy for breach of this warranty.

INITIO DISCLAIMS ALL OTHER WARRANTIES EITHER EXPRESSED OR IMPLIED, INCLUDING ANY WARRANTY OF MERCHANTABILITY OR FITNESS FOR A PARTICULAR PURPOSE. INITIO SHALL BE LIMITED TO THE WARRANTY PERIOD SPECIFIED ABOVE. ALL OTHER WARRANTIES ARE EXCLUDED. INITIO'S TOTAL LIABILITY HEREUNDER SHALL NOT EXCEED THE PRICE PAID FOR THE PRODUCT PURCHASED. IN NO EVENT SHALL INITIO BE LIABLE FOR ANY INDIRECT, SPECIAL, OR CONSEQUENTIAL DAMAGE ARISING OUT OF OR IN CONNECTION WITH THE USE OR PERFORMANCE OF THE PRODUCT, EVEN IF INITIO HAS BEEN ADVISED OF THE POSSIBILITY OF SUCH DAMAGES.

FCC Compliance Statement

This device complies with Part 15 of the FCC Rules. Operation is subject to the following two conditions: (1) this device may not cause harmful interference, and (2) this device must accept any interference received, including interference that may cause undesired operations.

Class B Equipment Information to User

This equipment has been tested and found to comply with the limits for a CLASS B digital device, pursuant to Part 15 of the FCC Rules. These limits are designed to provide reasonable protection against harmful interference in a residential installation. This equipment generates, uses and can radiate radio frequency energy and, if not installed and used in accordance with the instructions contained in this manual, may cause harmful interference to radio communications. However, there is no guarantee that interference will not occur in a particular installation.

If this equipment does cause harmful interference to radio or television reception, which can be determined by turning the equipment off and on, the user is encouraged to try to correct the interference by one or more of the following measures:

- Re-orient or relocate the receiving antenna.
- Increase the separation between the equipment and the receiver.
- Connect the equipment into an outlet on a circuit different from that of the receiver.
- Consult the dealer or a experienced audio television technician.

Note: Connecting this device to peripheral devices that do not comply with CLASS B requirements or using an unshielded peripheral data cable could also result in harmful interference to radio or television reception.

Product Warranty

The user is cautioned that any changes or modifications not expressly approved by the party responsible for compliance could void the user's authority to operate this equipment.

To ensure the use of this product does not contribute to interference, it is necessary to use shielded I/O Cables.

Reprinted from the Code of Federal Regulations #47, part 15.193, 1993. Washington DC: Office of the Federal Register, National Archives and Records Administration, U.S. Government Printing Office.

Declaration of the Manufacturer/Importer

We hereby certify that the INI-9090U PCI-FastSCSI Bus Master Host Adapters, in compliance with the requirements of BMPT Vfig 243/1991, is RFI suppressed. The normal operation of some equipment (e.g., signal generators) may be subject to specific restrictions. Please observe the notices in the user's manual.

The marketing and sale of the equipment was reported to the Federal Office for Telecommunication Permits (BZT). The right to retest this equipment to verify compliance with the regulation was given to the ZZF.

EN 55 9100UW2 Declaration of Conformance

This is to certify that the INI-9090U PCI-FastSCSI Bus Master Host Adapter is shielded against the generation of radio interference in accordance with the application of Council Directive 89/336/EEC, Article 4a. Conformity is declared by the application of EN 55 9100UW2:1987 Class B (CISPR 22:1985/BS 6527:1988).

EN50081-1 GENERIC EMISSIONS STANDARD

EN50082-1 GENERIC IMMUNITY STANDARD

1. IEC 801-2 :1984(1000-4-2:1995);
2. IEC 801-3 :1984(1000-4-3:1995);
3. IEC 801-4 :1988(1000-4-4:1995).

Production Notes

This Initio User's Manual was written, edited, and produced electronically using Adobe®Pagemaker™, Adobe Photoshop™, Macromedia®Freehand™, Adobe Streamline™, and Microsoft Word™.

Text type is ITC Novarese® and display type is Universe 55®. ©1992 International Typeface Corporation. ©1993 Linotype-Hell AG Corporation. All rights reserved.

All product names that appear in this manual are for identification purposes only and are acknowledged to be trademarks or registered trademarks of their respective companies.