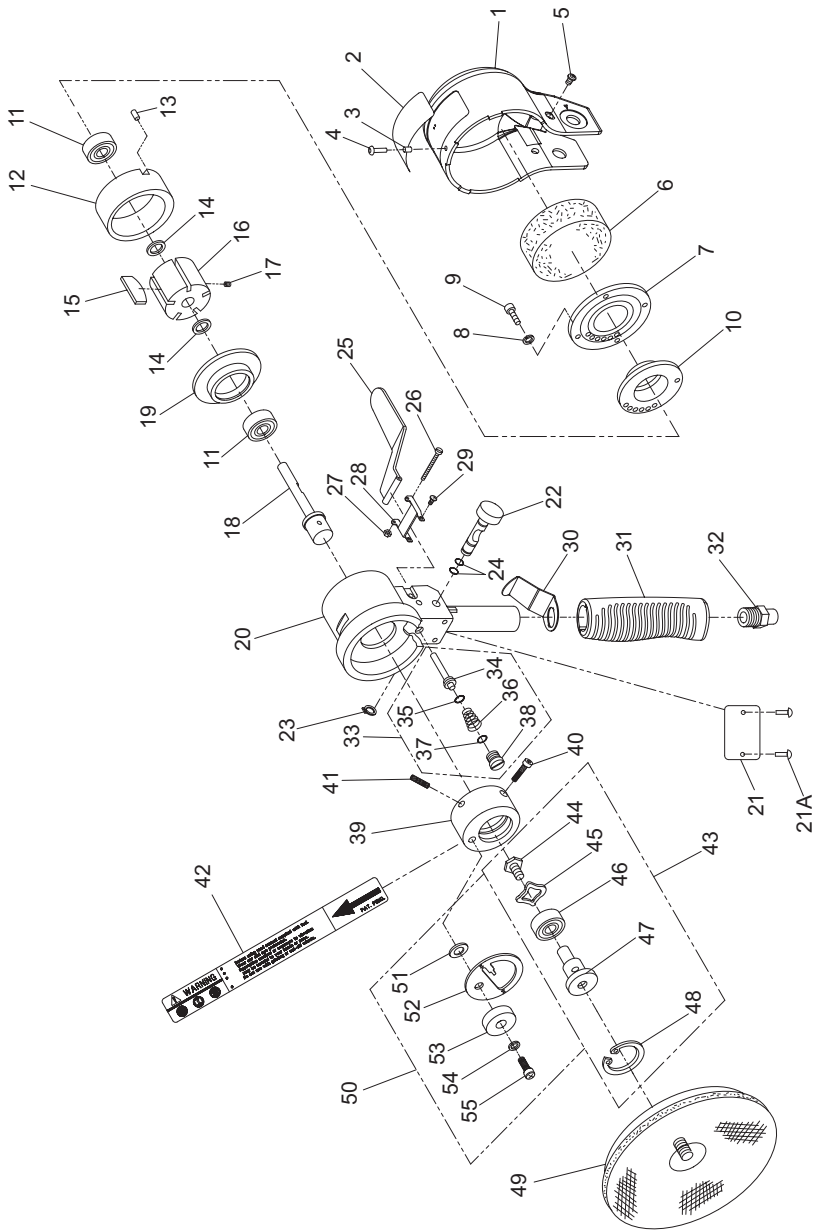


311A Dual-Action Angle Sander Exploded Diagram



(Dwg. TP1663-2)



Form 16573867
Edition 2
May 2005

311A Dual-Action Angle Sander Parts List

| Item | Part Description | Part Number | Item | Part Description | Part Number |
|------|------------------------------|-------------|------|------------------------|---------------|
| 1 | Motor Cover Assembly | 311A-A109 | 28 | Lever Bracket Assembly | 311A-A274 |
| 2 | Label | 311A-300 | 29 | Screw (2) | --- |
| 3 | Sleeve | --- | 30 | Second Lever | 311A-275 |
| 4 | Rivet | --- | 31 | Hand Grip | 311A-160 |
| 5 | Screw (2) | 311A-78 | 32 | Air Inlet Bushing | 311A-565 |
| 6 | Muffler | 311A-311 | 33 | Valve Assembly | 311A-A161 |
| 7 | Rotor Fixing Plate Assembly | 311A-A118 | 34 | Valve Stem | --- |
| 8 | Washer (4) | --- | 35 | O-Ring | --- |
| 9 | Screw (4) | --- | 36 | Spring | --- |
| 10 | Rear End Plate | 311A-12 | 37 | O-Ring | --- |
| 11 | Rotor Bearing | 311A-24 | 38 | Screw | --- |
| 12 | Cylinder | 311A-3 | 39 | Balance Body Assembly | 311A-A236 |
| 13 | Pin | 311A-114 | 40 | Screw | --- |
| 14 | Shim | 311A-25 | 41 | Set Screw | --- |
| 15 | Vane Packet (set of 5 Vanes) | 311A-42-5 | 42 | Warning Label | WARNING-25-99 |
| 16 | Rotor | 311A-53 | 43 | Pad Shaft Assembly | 311A-A235 |
| 17 | Screw | 311A-55 | 44 | Screw | --- |
| 18 | Spindle | 311A-54 | 45 | Wave Washer | --- |
| 19 | Front End Plate | 311A-11 | 46 | Bearing | 311A-97 |
| 20 | Handle | 311A-A159 | 47 | Mounting Shaft | 311A-235 |
| 21 | Name Plate | 311A-301 | 48 | Retaining Ring | --- |
| 21A | Name Plate Rivet (2) | PF100-256 | 49 | Sanding Pad | 311A-825-6 |
| 22 | Regulator Assembly | 311A-A165 | 50 | Drive Plate Assembly | 311A-A800 |
| 23 | Retaining Ring | --- | 51 | Washer | --- |
| 24 | O-Ring (2) | --- | 52 | Drive Plate | --- |
| 25 | Lever Assembly | 311A-A273 | 53 | Balance Nut | --- |
| 26 | Lever Screw | --- | 54 | Washer | --- |
| 27 | Nut | --- | 55 | Screw | --- |

Parts and Maintenance

When the life of the tool has expired, it is recommended that the tool be disassembled, degreased and parts be separated by material so that they can be recycled.

Tool repair and maintenance should only be carried out by an authorized Service Center.
Refer all communications to the nearest **Ingersoll-Rand** Office or Distributor.

Related Documentation

For additional information refer to:
Air Sander Product Safety Information Manual 04580387,
Air Sander Product Information Manual 80156649.

Manuals can be downloaded from www.irtools.com.