

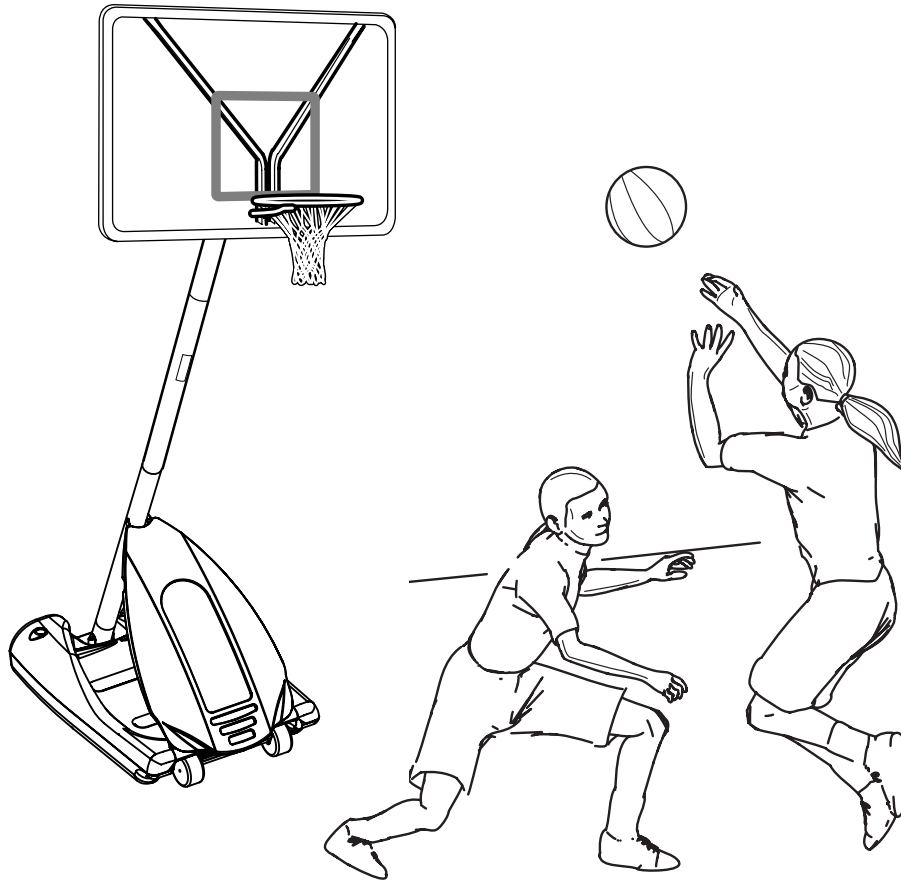
HUFFY[®]SPORTS

Portable Basketball System

Owners Manual

Customer Service Center

• N53 W24700 South Corporate Circle • Sussex, WI 53089 • U.S.A.



REQUIRED TOOLS AND MATERIALS:

- Two People
- Wood Board (Scrap)
- Tape Measure
- Step Ladder 8 ft. (2.4 m)
- Tape
- Garden Hose or Sand 360 lb. (163 kg)
- Hammer
- Wrenches: (Two) 3/4", (One) 1/2" (Two) 9/16" or equivalent sockets, (One) 1/2" Deep well socket with extension and socket wrench, 3/8 socket
- Support Table
- Phillips Head Screwdriver



! WARNING!

**READ AND UNDERSTAND
OPERATOR'S MANUAL
BEFORE USING THIS UNIT.**

**FAILURE TO FOLLOW
OPERATING INSTRUCTIONS
COULD RESULT IN INJURY
OR DAMAGE TO
PROPERTY.**

Toll-Free Customer Service Number for U.S: **1-800-558-5234**,

For Canada: **1-800-284-8339**,

For Europe: **00 800 555 85234** (Sweden: **009 555 85234**),

For Australia: **1-800-333 061**

Internet Address: <http://www.huffysports.com>



WARNING

**FAILURE TO FOLLOW THESE WARNINGS MAY RESULT
IN SERIOUS INJURY AND/OR PROPERTY DAMAGE.**

*Owner must ensure that all players know and follow
these rules for safe operation of the system.*

- **DO NOT HANG** on the rim or any part of the system including backboard, support braces or net.
- During play, especially when performing dunk type activities, keep player's face away from the backboard, rim and net. Serious injury could occur if teeth/face come in contact with backboard, rim or net.
- Do not slide, climb, shake or play on base and/or pole.
- After assembly is complete, fill system completely with water or sand and stake to the ground. Never leave system in an upright position without filling base with weight, as system may tip over causing injuries.
- When adjusting height or moving system, keep hands and fingers away from moving parts.
- Do not allow children to move or adjust system.
- During play, do not wear jewelry (rings, watches, necklaces, etc.). Objects may entangle in net.
- Surface beneath the base must be smooth and free of gravel or other sharp objects. Punctures cause leakage and could cause system to tip over.
- Keep organic material away from pole base. Grass, litter, etc. could cause corrosion and/or deterioration.
- Check pole system for signs of corrosion (rust, pitting, chipping) and repaint with exterior enamel paint. If rust has penetrated through the steel anywhere, replace pole immediately.
- Check system before each use for proper ballast, loose hardware, excessive wear and signs corrosion and repair before use.
- Check system before each use for instability.
- Do not use system during windy and/or severe weather conditions; system may tip over. Place system in the storage position and/or in an area protected from the wind and free from personal property and/or overhead wires.
- Never play on damaged equipment.
- See instruction manual for proper installation and maintenance.
- When moving system, use caution to keep mechanism from shifting.
- Keep pole top covered with cap at all times.
- Do not allow water in tank to freeze. During sub-freezing weather add non-toxic antifreeze, sand or empty tank completely and store. (Do not use salt.)
- Use extreme caution if placing system on sloped surface. System may tip over more easily.

HUFFY® SPORTS

In the U.S.: 1-800-558-5234 and Canada: 1-800-284-8339

201241 2/99



SAFETY INSTRUCTIONS



FAILURE TO FOLLOW THESE SAFETY INSTRUCTIONS MAY RESULT IN SERIOUS INJURY, PROPERTY DAMAGE AND WILL VOID WARRANTY.

Owner must ensure that all players know and follow these rules for safe operation of the system.

To ensure safety, do not attempt to assemble this system without following the instructions carefully. Proper and complete assembly, use and supervision is essential for proper operation and to reduce the risk of accident or injury. A high probability of serious injury exists if this system is not installed, maintained, and operated properly.

- If using a ladder during assembly, use extreme caution.
- Check base regularly for leakage. Slow leaks could cause the system to tip over unexpectedly
- Seat the pole sections properly (if applicable). Failure to do so could allow the pole sections to separate during play and/or during transport of the system.
- Climate, corrosion or misuse could result in system failure.
- If technical assistance is required, contact Huffy Sports.
- Minimum operational height is 6'6" (1.98m) to the bottom of backboard.

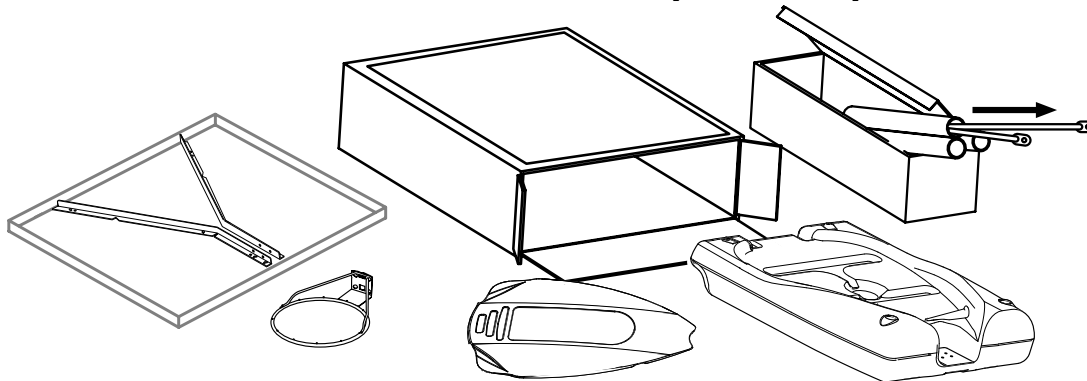
*Most injuries are caused by misuse and/or not following instructions.
Use caution when using this unit.*

NOTICE TO ASSEMBLERS

ALL Huffy Sports basketball Systems, including those used for DISPLAYS, MUST be assembled and ballasted with sand or water according to instructions. Failure to follow instructions could result in SERIOUS INJURY. It is NOT acceptable to devise a makeshift weight system.

IMPORTANT!

**Remove all contents from boxes.
Be sure to check inside pole sections;
hardware and additional parts are packed inside.**



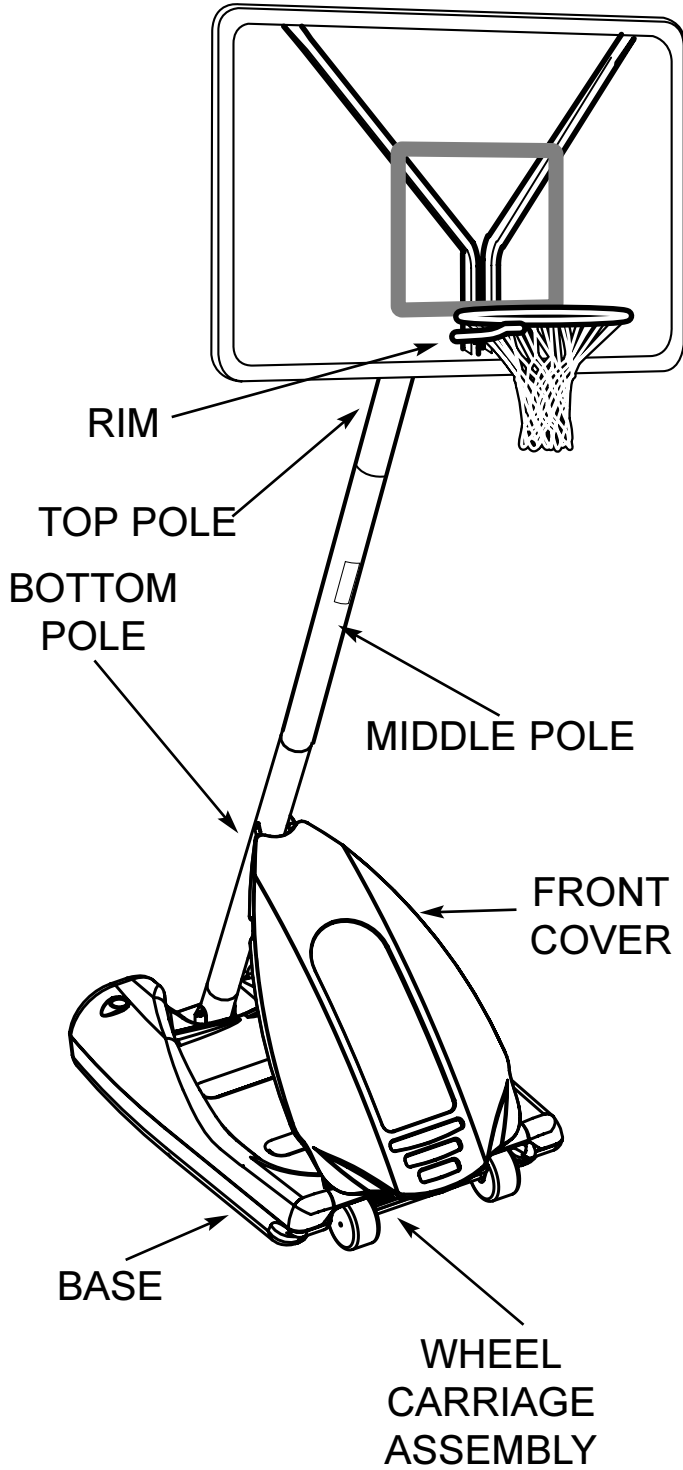
Questions or Missing Parts?

DON'T go back to store!

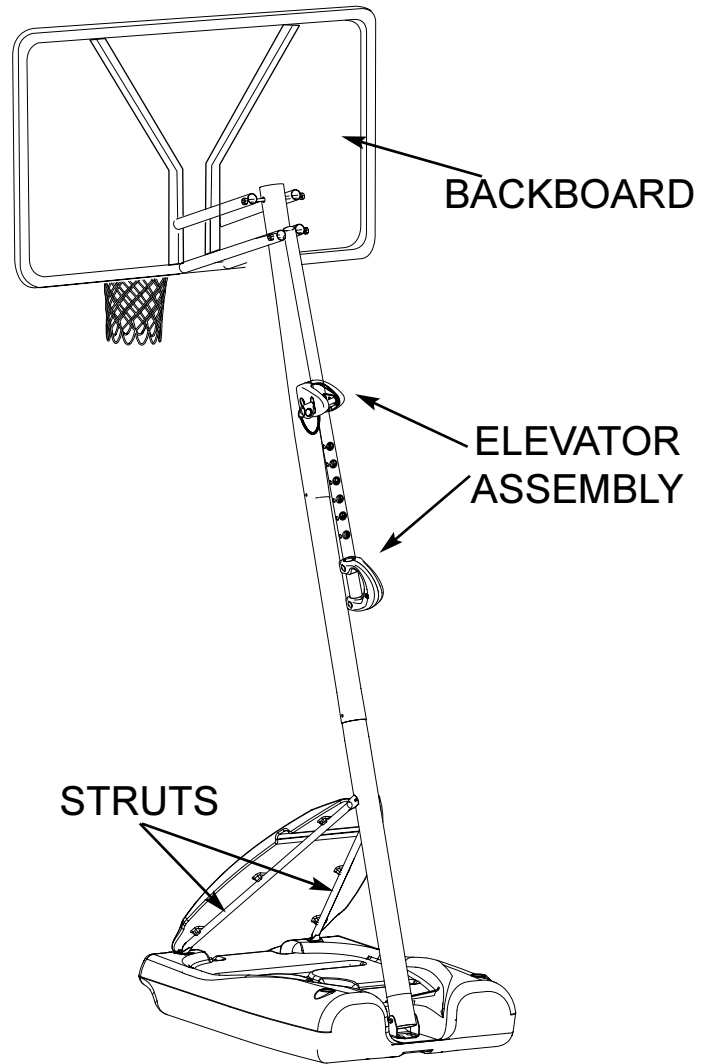
**Call TOLL-FREE Customer Service
Number listed on the front page!**

Get to know the basic parts of your basketball system.....

FRONT



BACK



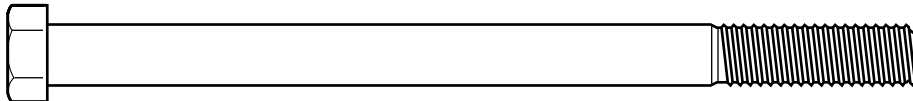
Item	Qty	Part No.	Description
1	1	900149	Top Pole Section
2	1	904811	Middle Pole Section (with Label)
3	1	903407	Bottom Pole Section
4	1	900223	Wheel Bracket
5	1	206940	Axle
6	2	226403	Wheel
7	2	206938	Pushnut
8	1	206660	Base
9	6	203156	Hex Bolt, 5/16-18 x 1
10	18	203218	Flat Washer, 5/16
11	21*	203100	Hex-Flange Nut, 5/16-18
12	1	201581	Pole Bracket
13	2	202662	Hex Bolt, 5/16-18 x 4.5
14	2	203099	Locknut, 5/16-18
15	4	203223	Carriage Bolt, 5/16-18 x 1
16	2	906410	Tank Strut
17	1	200516	Bolt Cover
18	1	206990	Reinforcement Bracket
19	1	203038	Carriage Bolt, 5/16-18 x 2-3/4 Long
20	8	202862	Spacer, Plastic, 1.19" Long
21	7*	206340	Locknut, 1/2-13
22	2	203053	Carriage Bolt, 5/16-18 x 4 Long
23	1	204872	Label, Height Indicator
24	2	204858	Spacer, Plastic, Biscuit
25	1	207103	Pole Cap
26	1	204853	Lanyard, Black Coil
27	1	204850	Pin, Locking
28	1	204832	Bracket, Pole Mount
29	4	206360	Hex Bolt, 3/8-16 x 2.625
30	2	200874	Spacer, Metal
31	4	201124	Locknut, 3/8-16
32	2	900867	Plate, Triangle
33	2	904807	Elevator Tube, Upper - Short
34	2	904821	Elevator Tube, Lower - Long
35	2	204859	Cover, Pin Slide
36	1	203124	Tie Down Stake
37	2	203617	Base Plug
38	1	201965	Front Cover
39	6*	203257	Tie Straps
40	1		Rim
41	4	203309	Washer, Flat
42	1	201252	Label, Height Adj and Moving
43	2	204857	Spacer, Metal 1/2" O.D. x 1.44 Long
44	4	203232	Flat Washer, 3/8
45	2	900964	Bracket, Backboard Support
46	4	201681	Spacer, Plastic, .530 I.D. x .88 Long
47	1	202856	Bolt, Hex, 1/2-13 x 4" Long
48	2	204838	Spring, Counter Balance
49	4	201682	Spacer, .530 I.D. x 1.875
50	6	204847	Bolt, Hex, 1/2-13 x 9.5"
51	1	904866	Height Adjustment Rod
52	1	204855	Handle, Left
53	1	204856	Handle, Right
54	2	203103	Carriage Bolt, 5/16-18 x 2 Long
55	1	204803	Screw, Phillips Head
56	1	204444	Rope
57	12	201219	Smart Clips, Net Holder
58	1		Net
59	4	205528	Bolt, Hex Flange, 5/16-18 x 1" Long

* You may have extra parts with this model.

WARRANTY CARD:

Please remember to complete your product registration form either on-line at: www.huffysports.com/warrantycard or mail-in the enclosed postcard.

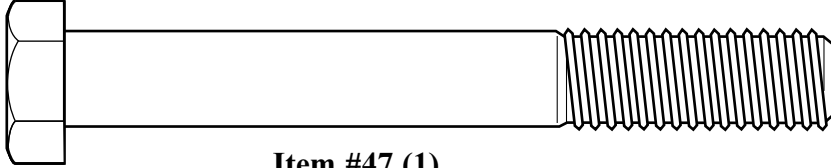
HARDWARE IDENTIFIER (BOLTS & SCREWS)



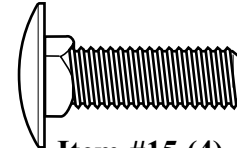
Item #13 (2)



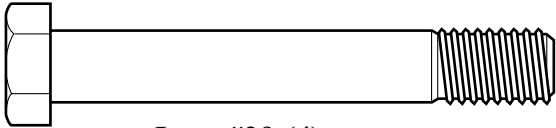
Item #9 (6)



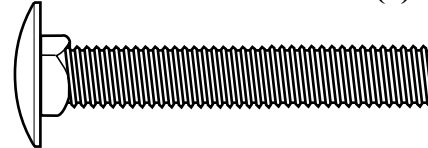
Item #47 (1)



Item #15 (4)



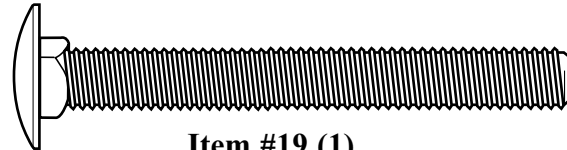
Item #29 (4)



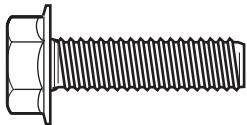
Item #54 (2)



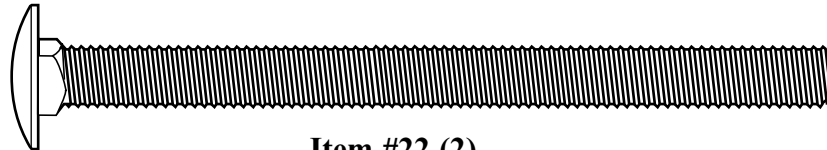
Item #55 (1)



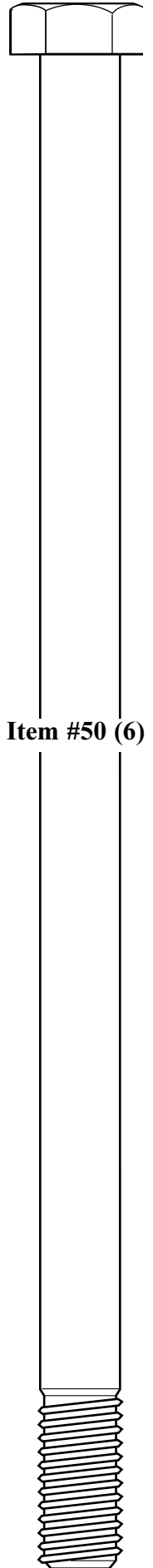
Item #19 (1)



Item #59 (4)

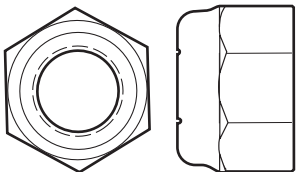


Item #22 (2)

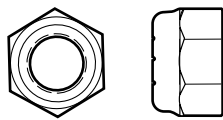


Item #50 (6)

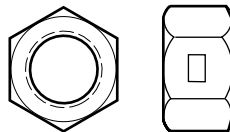
HARDWARE IDENTIFIER (NUTS, WASHERS & METAL SPACERS)



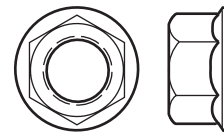
Item #21 (7)



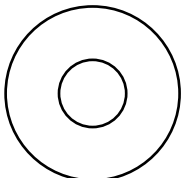
Item #14 (2)



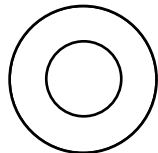
Item #31 (4)



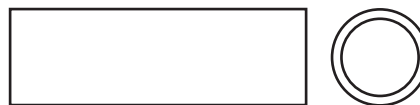
Item #11 (15)



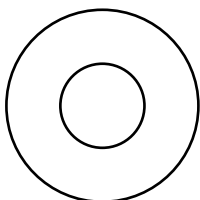
Item #10 (18)



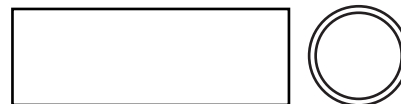
Item #44 (4)



Item #30 (2)

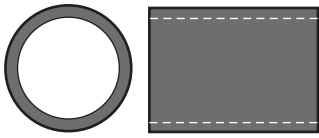


Item #41 (4)

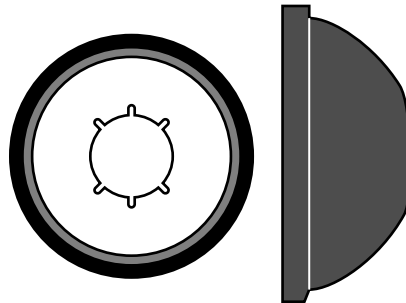


Item #43 (2)

HARDWARE IDENTIFIER (PLASTIC SPACERS & CAPS)



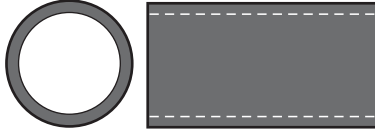
Item #46 (4)



Item #7 (2)



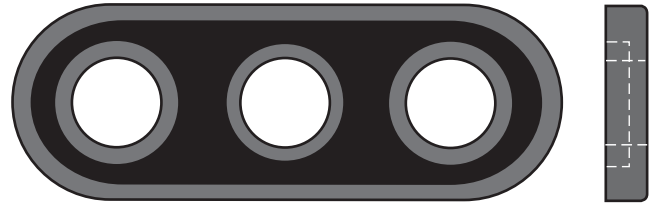
Item #17 (1)



Item #20 (8)



Item #49 (4)

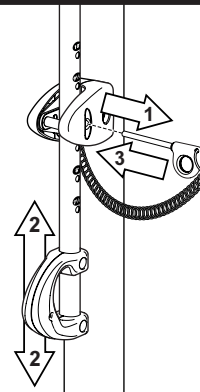


Item #24 (2)

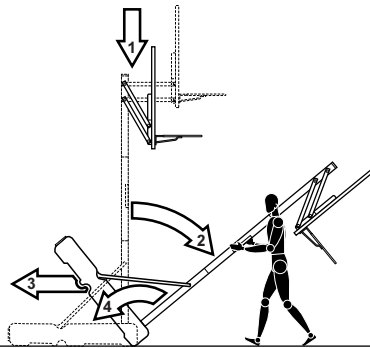
HEIGHT ADJUSTMENT

TO ADJUST BACKBOARD:

1. While holding handle, remove pin.
2. Move elevator up or down to desired height.
3. Replace pin full length to lock system at desired height.



MOVING SYSTEM

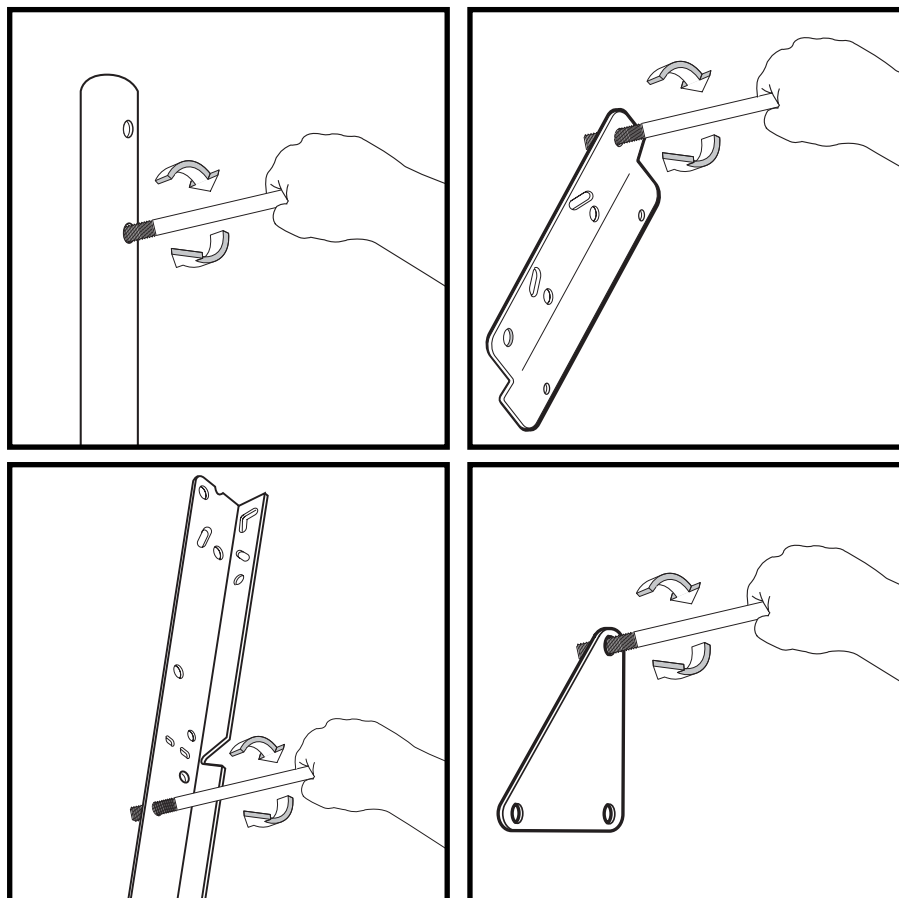


1. Adjust basketball backboard height to lowest position.
2. While holding pole, rotate basketball system forward until wheels engage with ground.
3. Move basketball system to desired location.
4. Carefully rotate basketball system upright.
5. Reattach ground restraint and check system for stability.

201252 2/99

Item #42 (1)

BEFORE YOU START!



To ensure optimal playability of backboard system, a close tolerance fit between the elevator components and hardware is required. Test fit large bolts into large holes of elevator tubes, backboard brackets and triangle plates. Carefully rock them in a circular motion to ream out any excess paint from holes if necessary.

AVANT DE COMMENCER !

Pour garantir l'utilisation optimale du panneau, les composants du système élévateur et la visserie doivent être bien ajustés (serrés). À titre d'essai, insérez les gros boulons dans les gros trous des tubes du système élévateur, des supports du panneau et des plaques triangulaires. Basculez-les avec précaution en imprimant un mouvement circulaire pour éliminer l'excédent de peinture, si nécessaire.

¡ANTES DE COMENZAR!

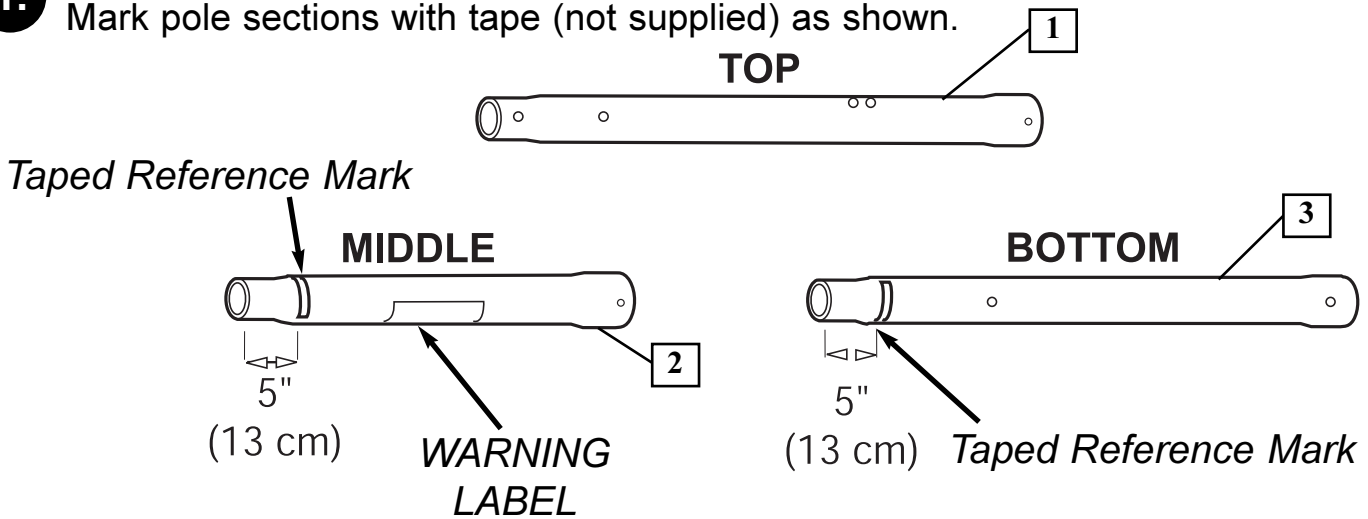
Para asegurar el óptimo rendimiento del sistema del respaldo en el juego, se requiere un ajuste de tolerancia estrecha entre los componentes del elevador y el herraje. Pruebe el ajuste de los pernos grandes en los orificios grandes de los tubos elevadores, soportes del respaldo y placas triangulares. Cuidadosamente muévalos en círculos para eliminar cualquier exceso de pintura, si es necesario.

VORBEREITENDE MASSNAHMEN

Um sicherzustellen, dass das Korbwandsystem optimal für den Spielbetrieb geeignet ist, müssen die Komponenten der Verlängerungsvorrichtung und die verschiedenen Befestigungsteile fest miteinander verschraubt werden. Große Schrauben zur Probe in die großen Löcher der Verlängerungsrohre, Korbwandklammern und Dreiecksplatte stecken und diese vorsichtig in einer Kreisbewegung hin- und herbewegen, um eventuelle Farbrückstände aus den Bohrungen zu entfernen.

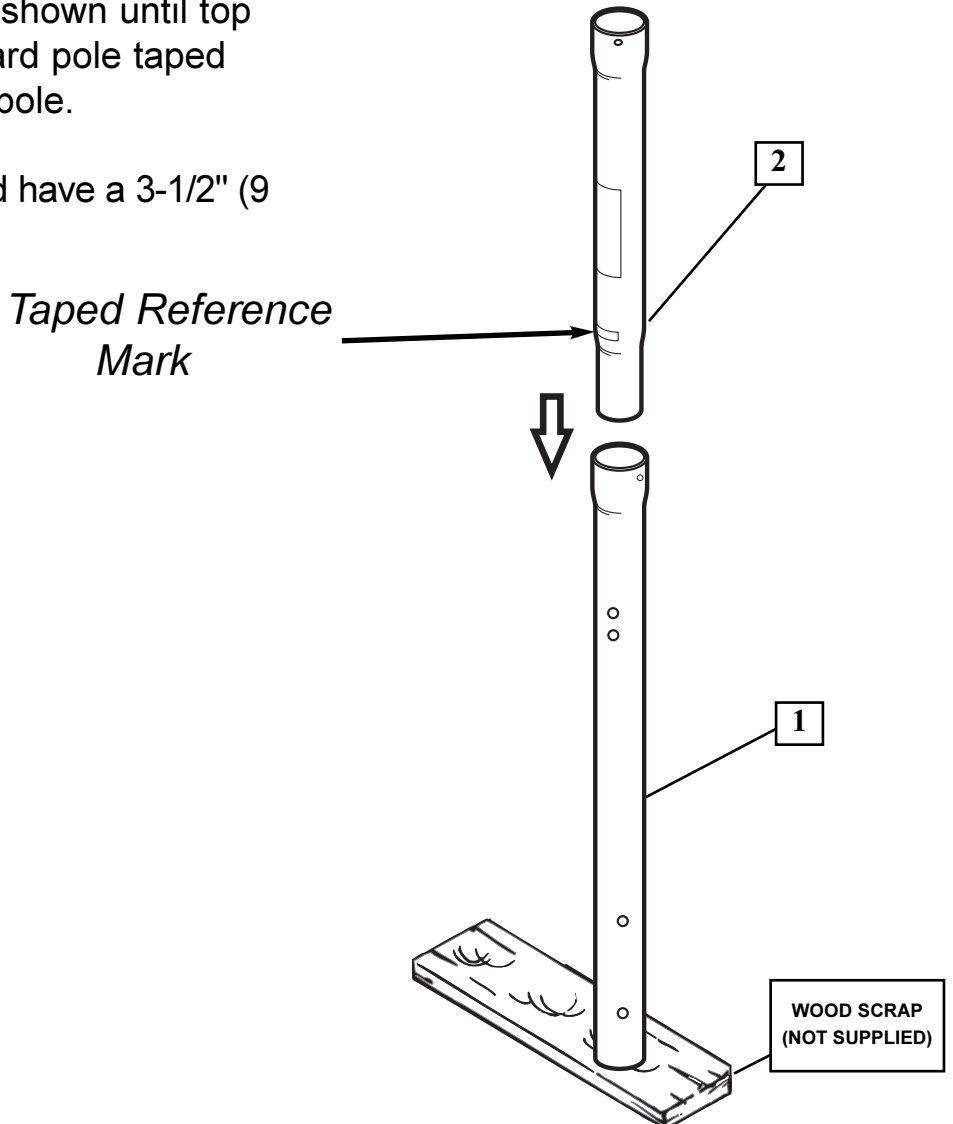
SECTION A: ASSEMBLE THE POLES

1. Mark pole sections with tape (not supplied) as shown.




2. Bounce middle pole (2) into top pole section (1) using a wood scrap as shown until top pole no longer moves toward pole taped reference mark on middle pole.

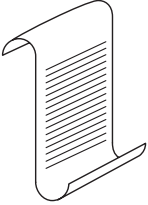
NOTE: Pole sections should have a 3-1/2" (9 cm) minimum overlap.



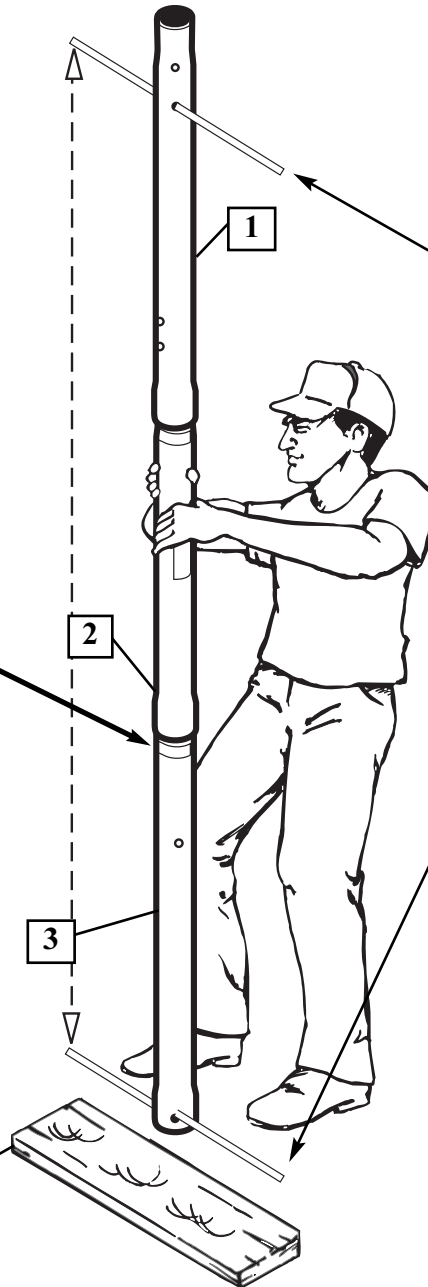
3. Align top holes of top pole to bottom holes of bottom pole. While maintaining alignment, bounce top and middle pole assembly (1 & 2) onto lower section (3) using a wood scrap as shown until they no longer move toward pole identification mark on bottom pole (3).

	IMPORTANT!:
	Holes in top (1) and bottom pole (3) sections MUST align to correctly position elevator system toward playing surface.

Taped Reference Mark

	NOTE:
	POLE SECTIONS SHOULD HAVE A 3-1/2" (9 CM) MINIMUM OVERLAP.

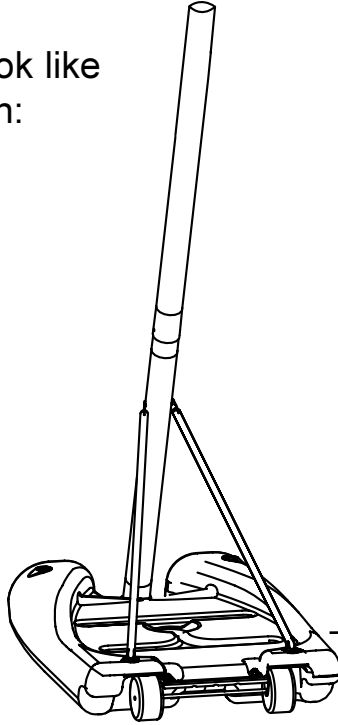
WOOD SCRAP
(NOT SUPPLIED)



RODS SHOWN ARE FOR VISUAL REPRESENTATION OF ALIGNMENT AND ARE NOT SUPPLIED WITH THE HARDWARE

SECTION B: ASSEMBLE THE BASE

This is what your system will look like when you've finished this section:



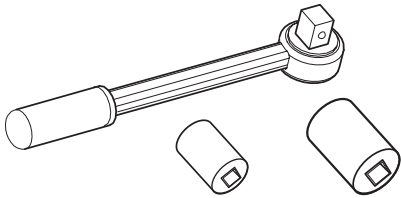
TOOLS REQUIRED FOR THIS SECTION

(2) 1/2" AND (2) 9/16" Wrenches



AND/OR

(2) Socket Wrenches and Sockets

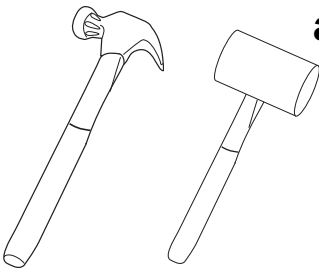


1/2"

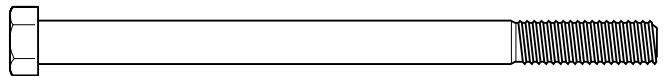
9/16"

AND

a Hammer or Mallet



HARDWARE USED IN THIS SECTION (not actual size)



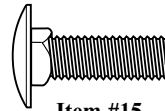
Item #13



Item #9



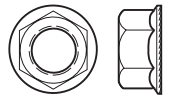
Item #14



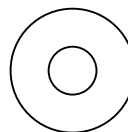
Item #15



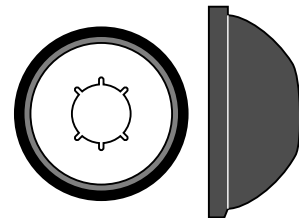
Item #17



Item #11

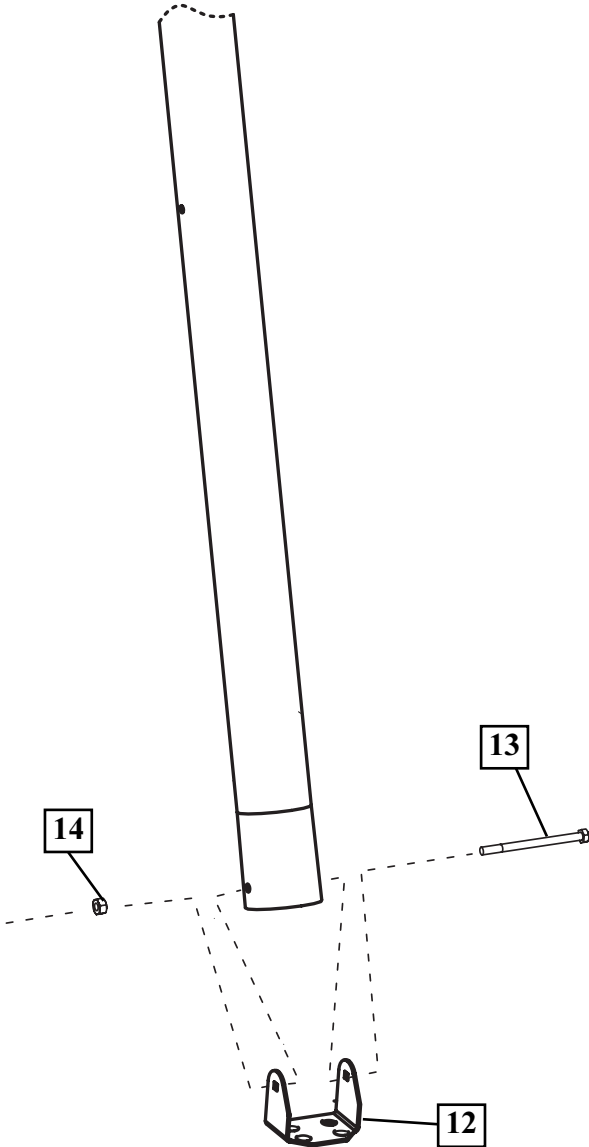


Item #10



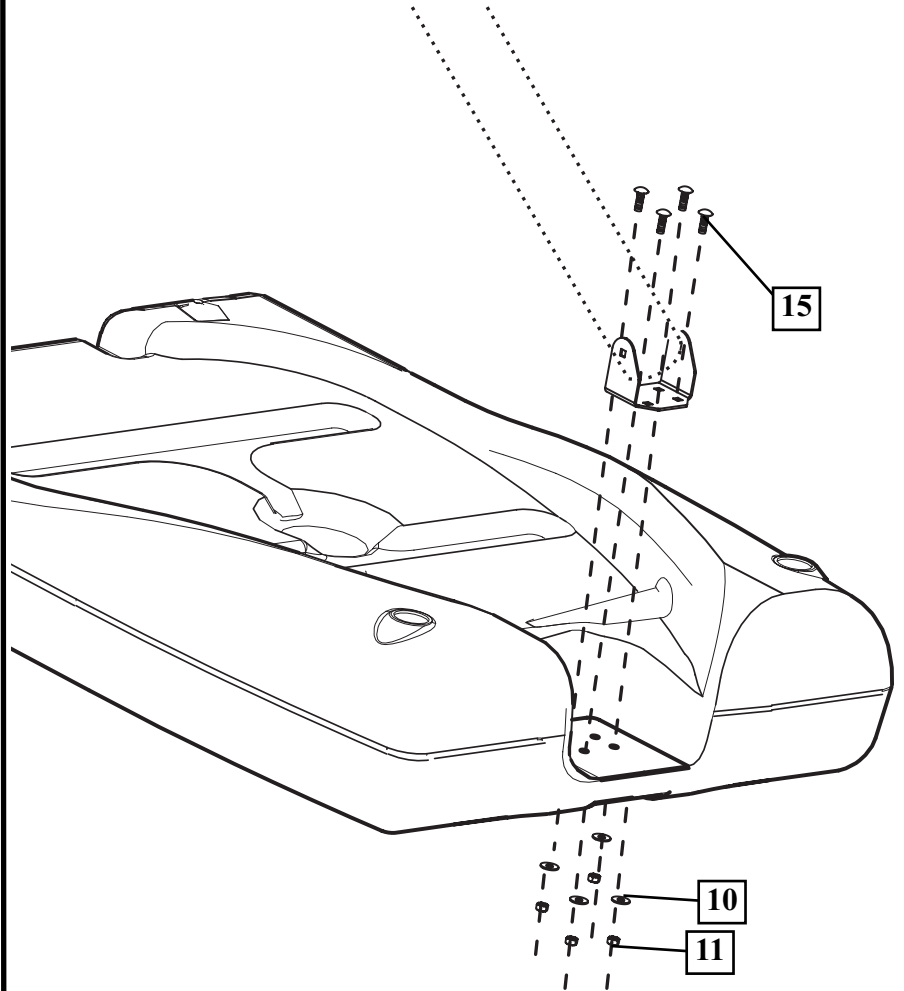
Item #7

- 1.** Assemble pole bracket (12) using bolt (13) and locknut (14) as shown.



	IMPORTANT!:
	DO NOT OVER TIGHTEN

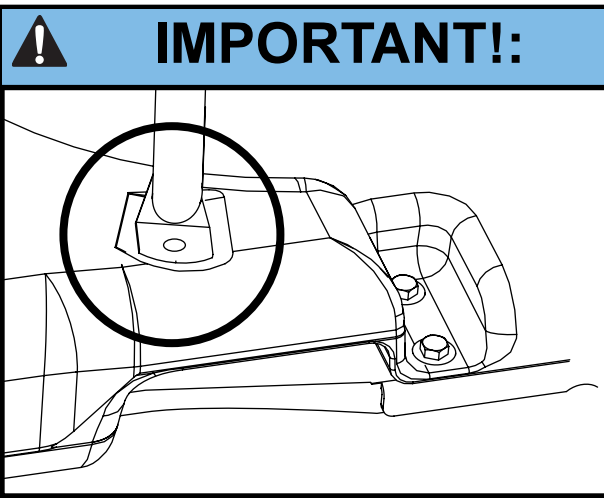
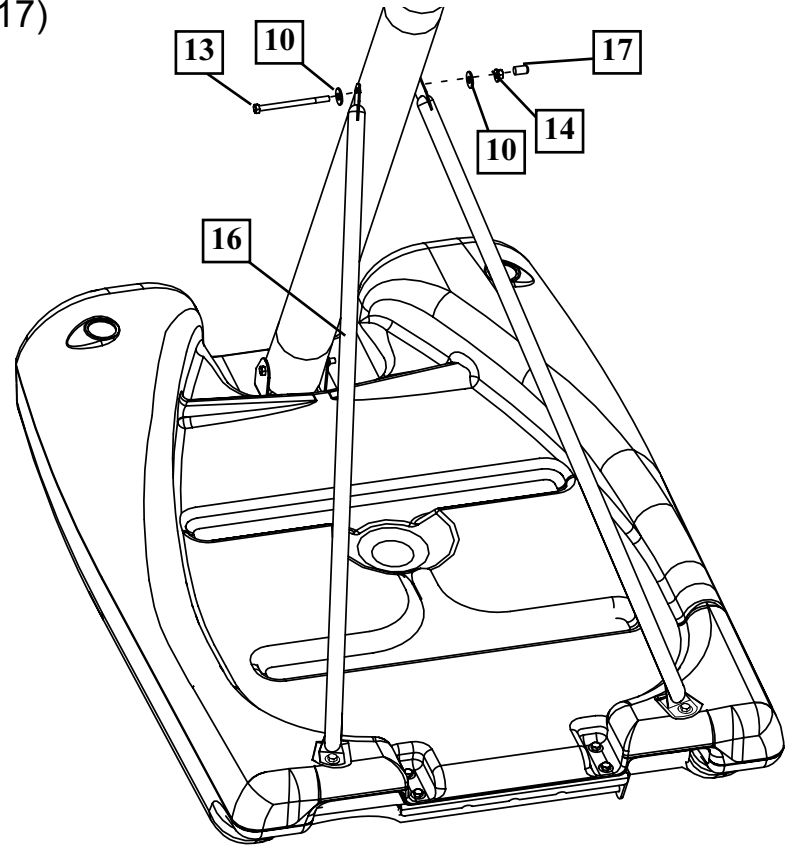
- 2.** Attach pole assembly to base using carriage bolts (15) washers(10) and nuts (11) as shown. Two people are required for this step.



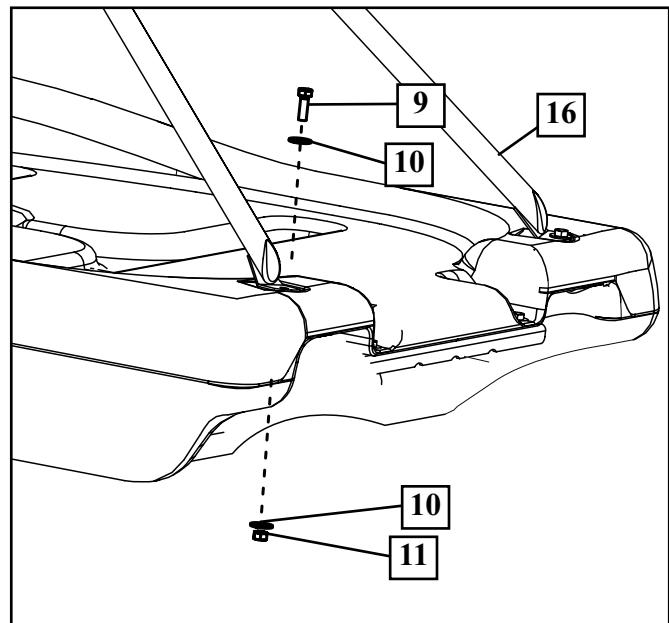
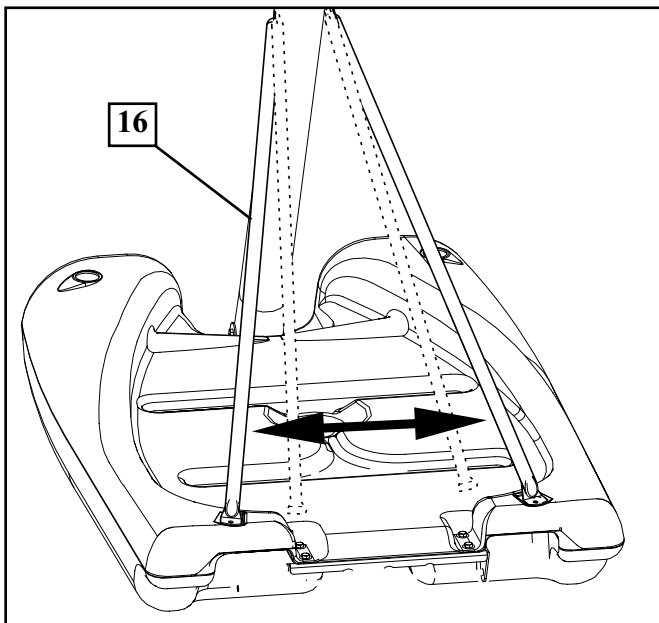
	! WARNING!
	TWO PEOPLE REQUIRED FOR THIS PROCEDURE. FAILURE TO FOLLOW THIS WARNING COULD RESULT IN SERIOUS INJURY AND/OR PROPERTY DAMAGE.

IMPORTANT!:
THE CUT CORNERS OF THE POLE BRACKET NEED TO FACE TOWARD THE BACK OF THE BASE AS SHOWN.

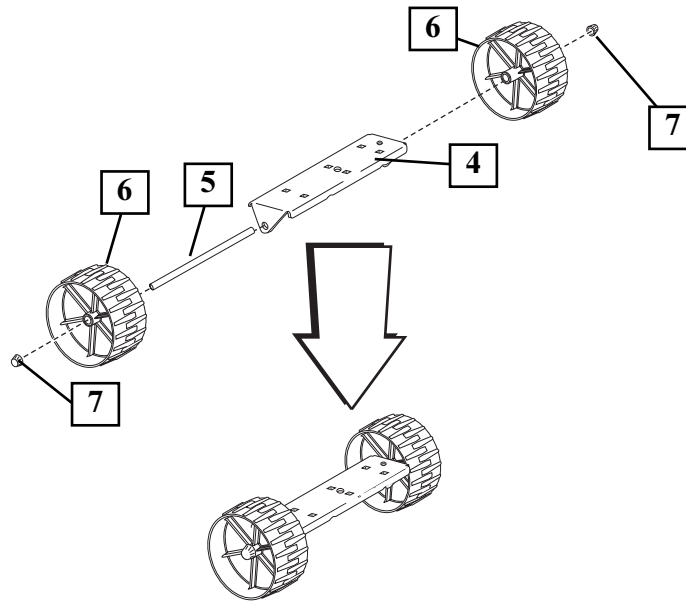
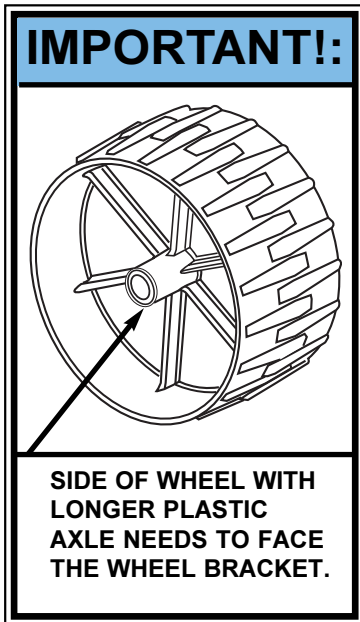
3. Secure tank struts (16) to pole as shown. Nut should be tightened until flush (even) with locknuts outer edge. Place cap (17) over exposed end of bolt as shown.



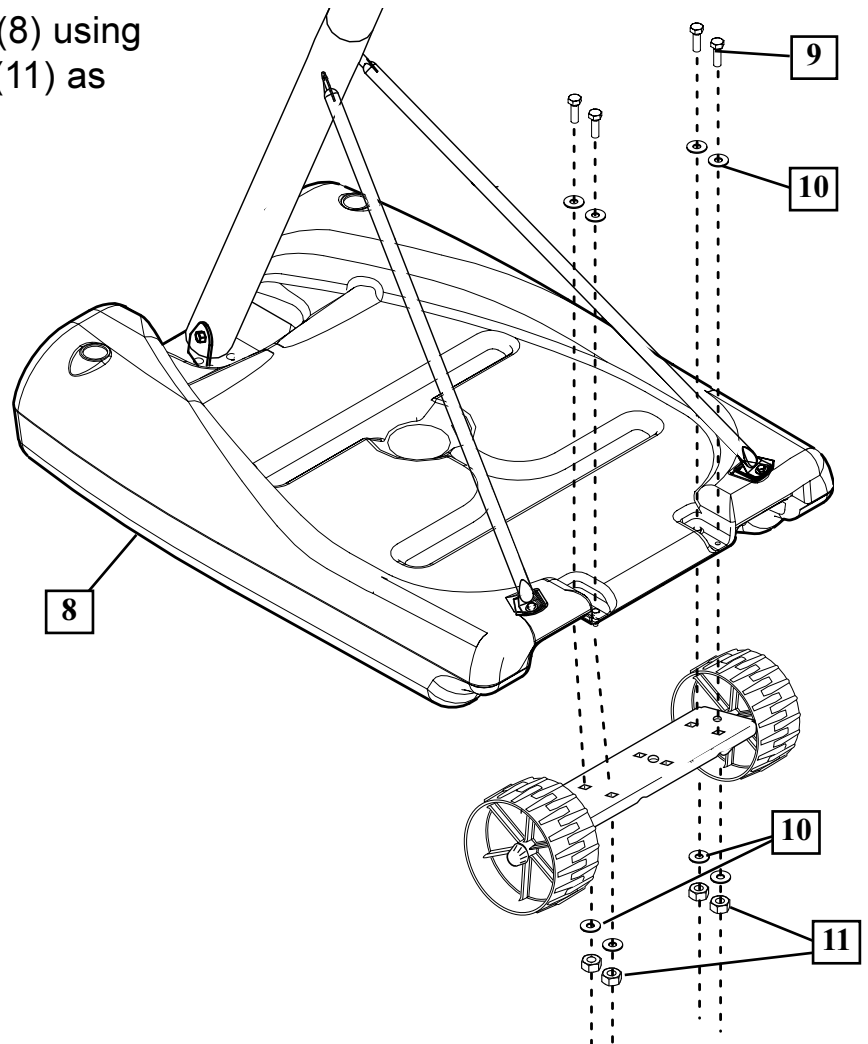
4. Rotate non-secured ends of tank struts (16) outward to mounting holes in tank as shown. Secure ends of tank struts (16) to tank as shown. Repeat for opposite side.



5. Insert axle (5) through wheel bracket (4). Secure wheels (6) to axle using pushnuts (7). Carefully tap pushnuts onto axle with hammer or mallet

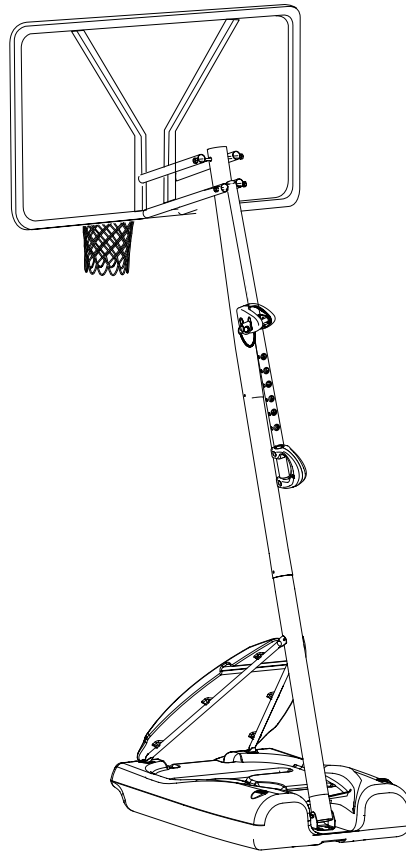


6. Install wheel assembly to base (8) using bolts (9), washers (10) and nuts (11) as shown.



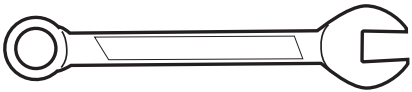
SECTION C: ASSEMBLE THE ELEVATOR & BACKBOARD

This is what your system will look like when you've finished this section:



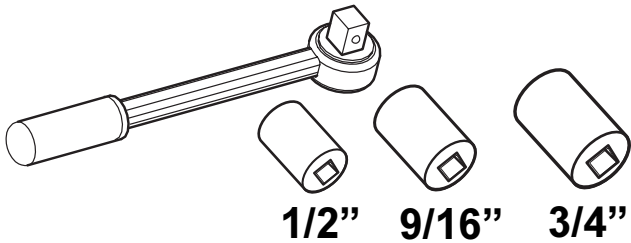
TOOLS REQUIRED FOR THIS SECTION

(2) 1/2", (2) 9/16" AND (2) 3/4" Wrenches

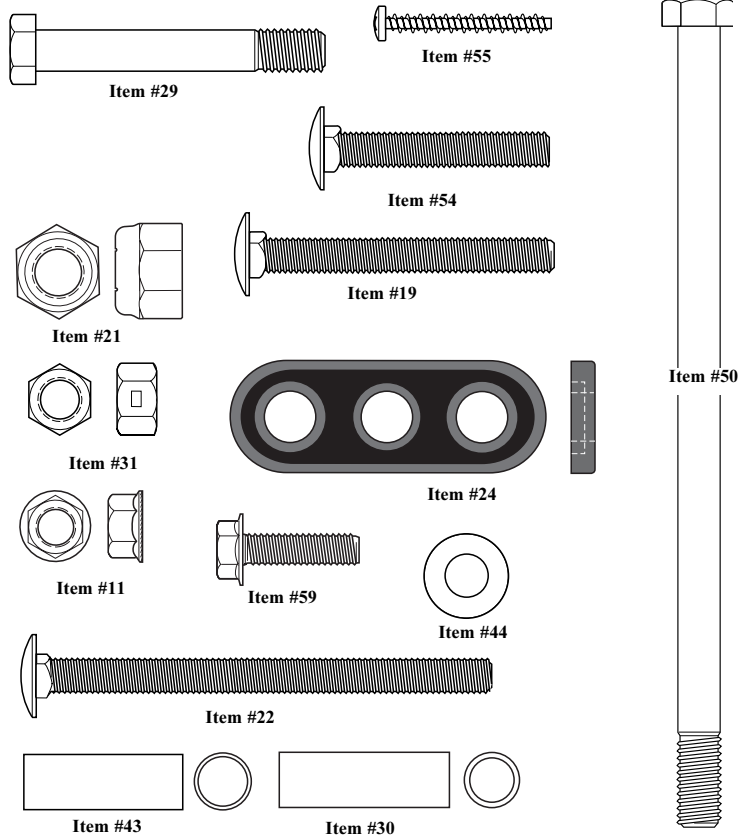


AND/OR

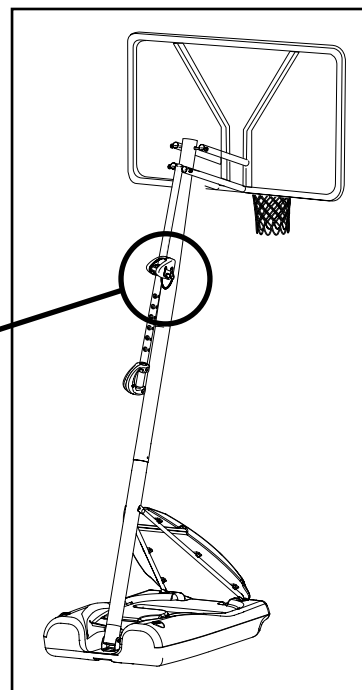
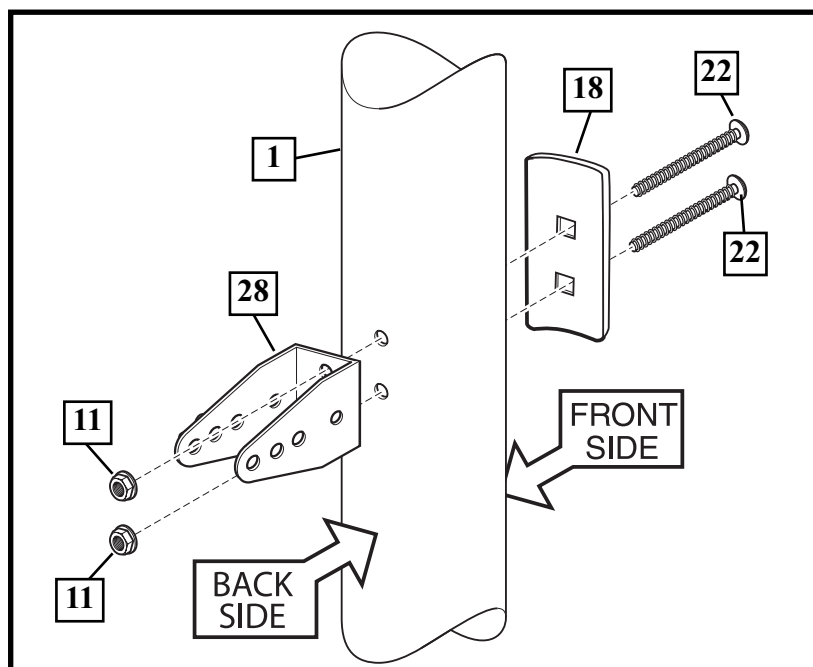
(2) Socket Wrenches and Sockets



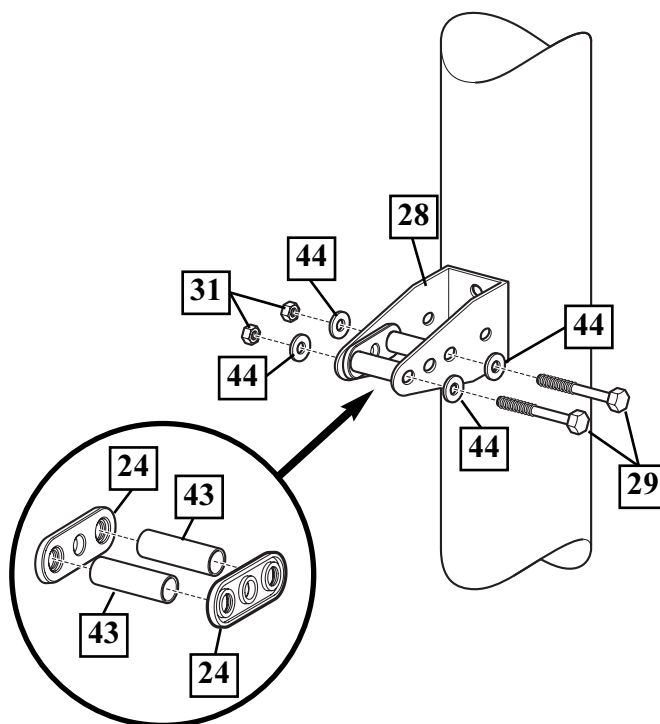
HARDWARE USED IN THIS SECTION (not actual size)



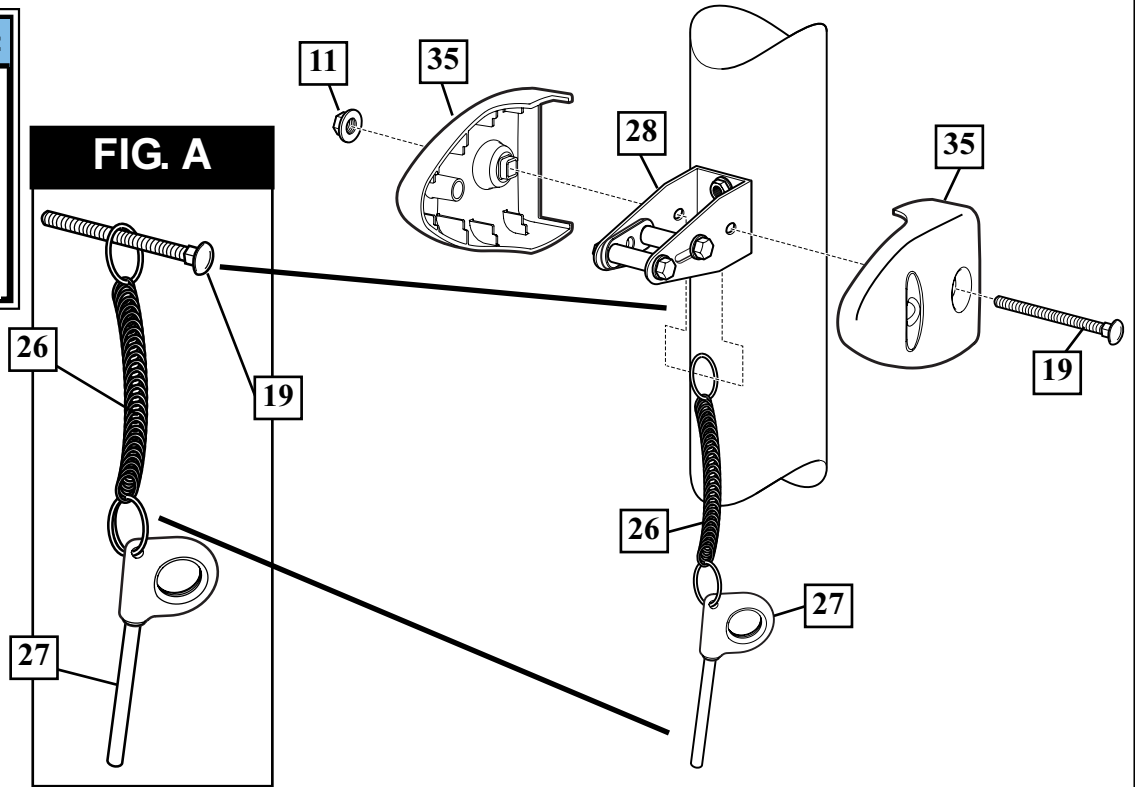
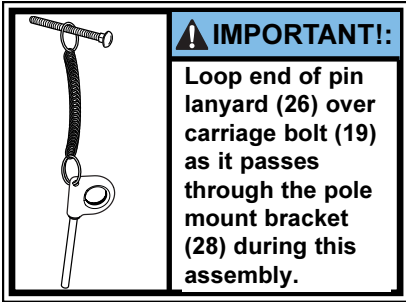
1. Install pole mount bracket (28) and reinforcement bracket (18) with carriage bolts (22) as shown. Tighten flange nuts (11) completely.



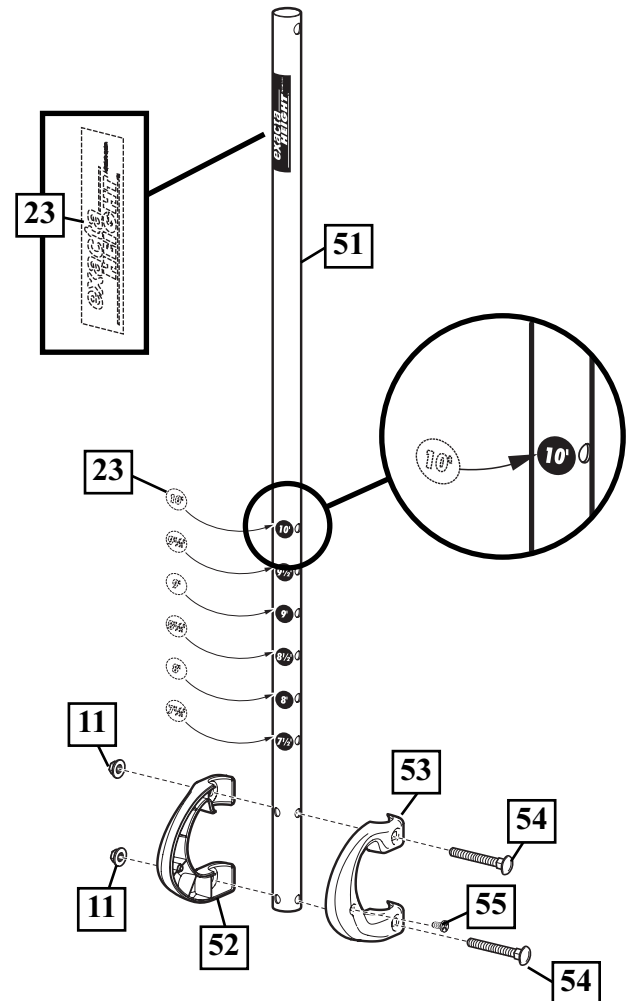
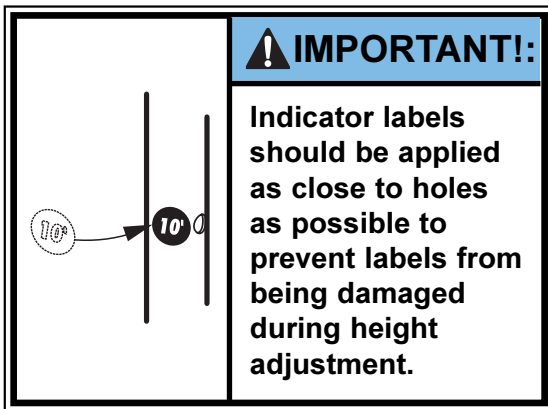
2. Attach spacers (24, 43) to pole mount bracket (28) with bolts (29), washers (44), and lock nuts (31) as shown. **IMPORTANT! Tighten just until washers (44) stop moving.**

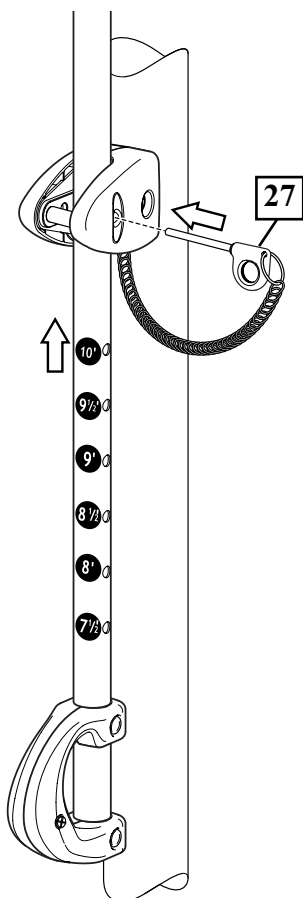


- 3.** Assemble lanyard (26) to locking pin (27) as shown (FIG A). Attach covers (35) onto pole mount bracket (28) with carriage bolt (19) and nut (11) as shown.

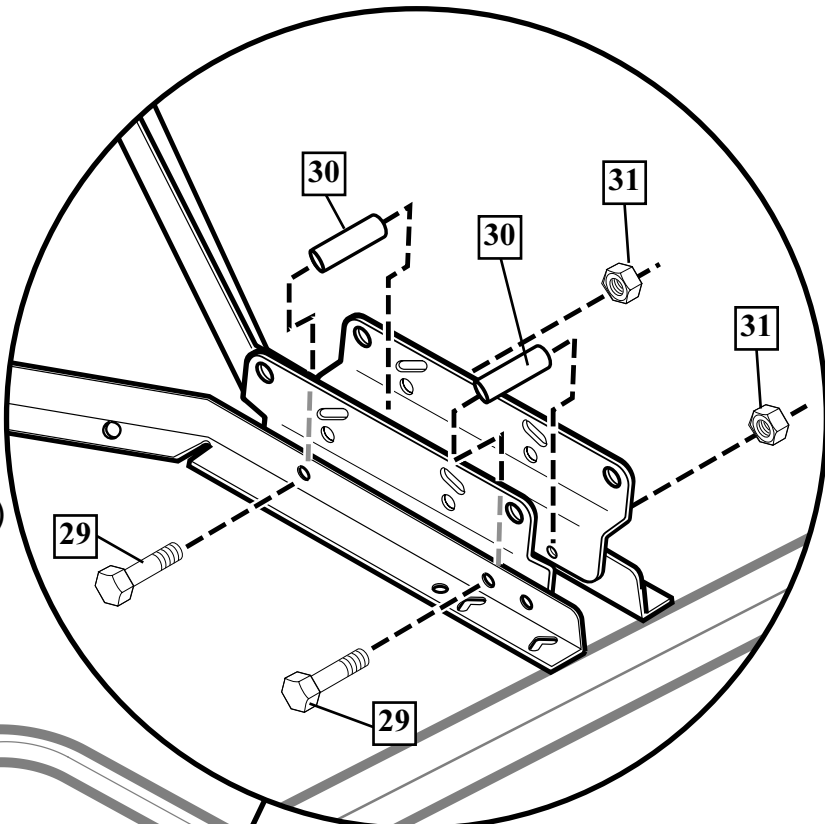


- 4.** Apply logo and height indicator labels (23) to adjustment rod (51) as shown. Attach handle parts (52, 53) to adjustment rod with screw (55), carriage bolts (54), and flange nuts (11) as shown.



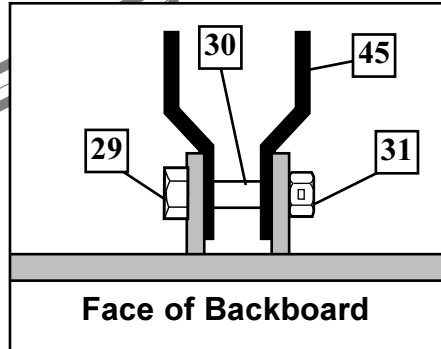
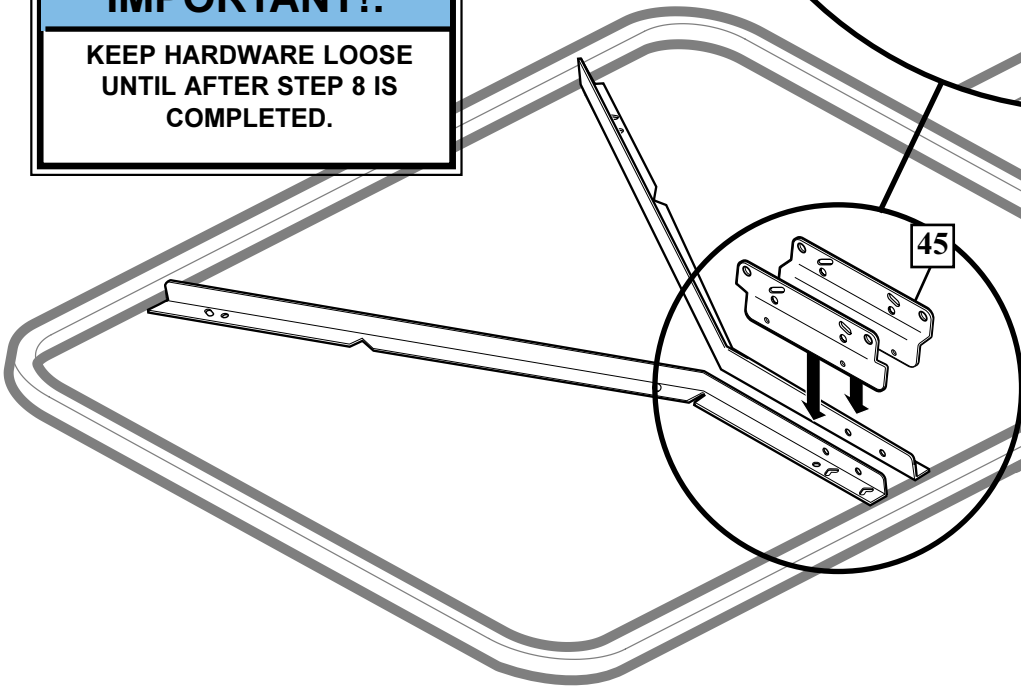


5. Insert handle assembly through pole mount assembly as shown. Lock pole assembly in place at the 10' (3.05 m) mark with pin (27).

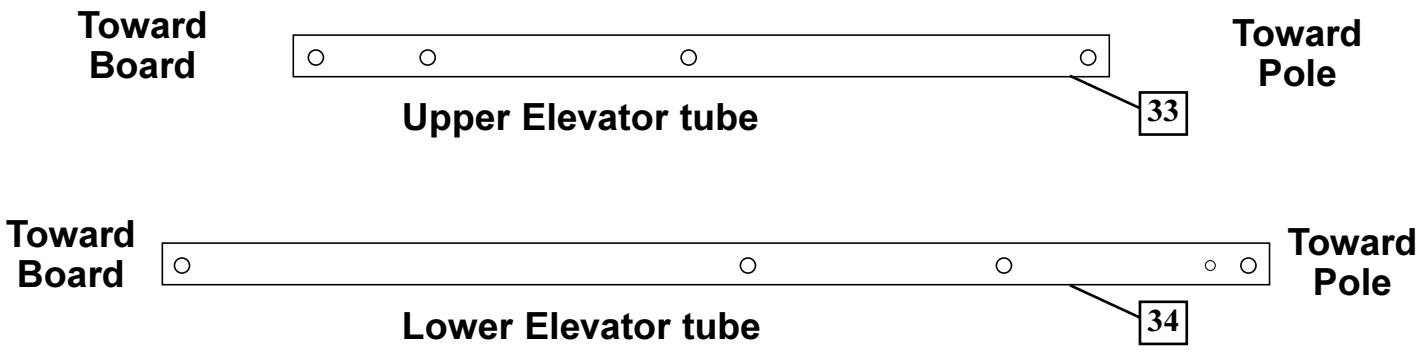


6. Assemble backboard brackets (45) using spacers (30), bolts (29), and nuts (31) as shown.

IMPORTANT!
KEEP HARDWARE LOOSE UNTIL AFTER STEP 8 IS COMPLETED.

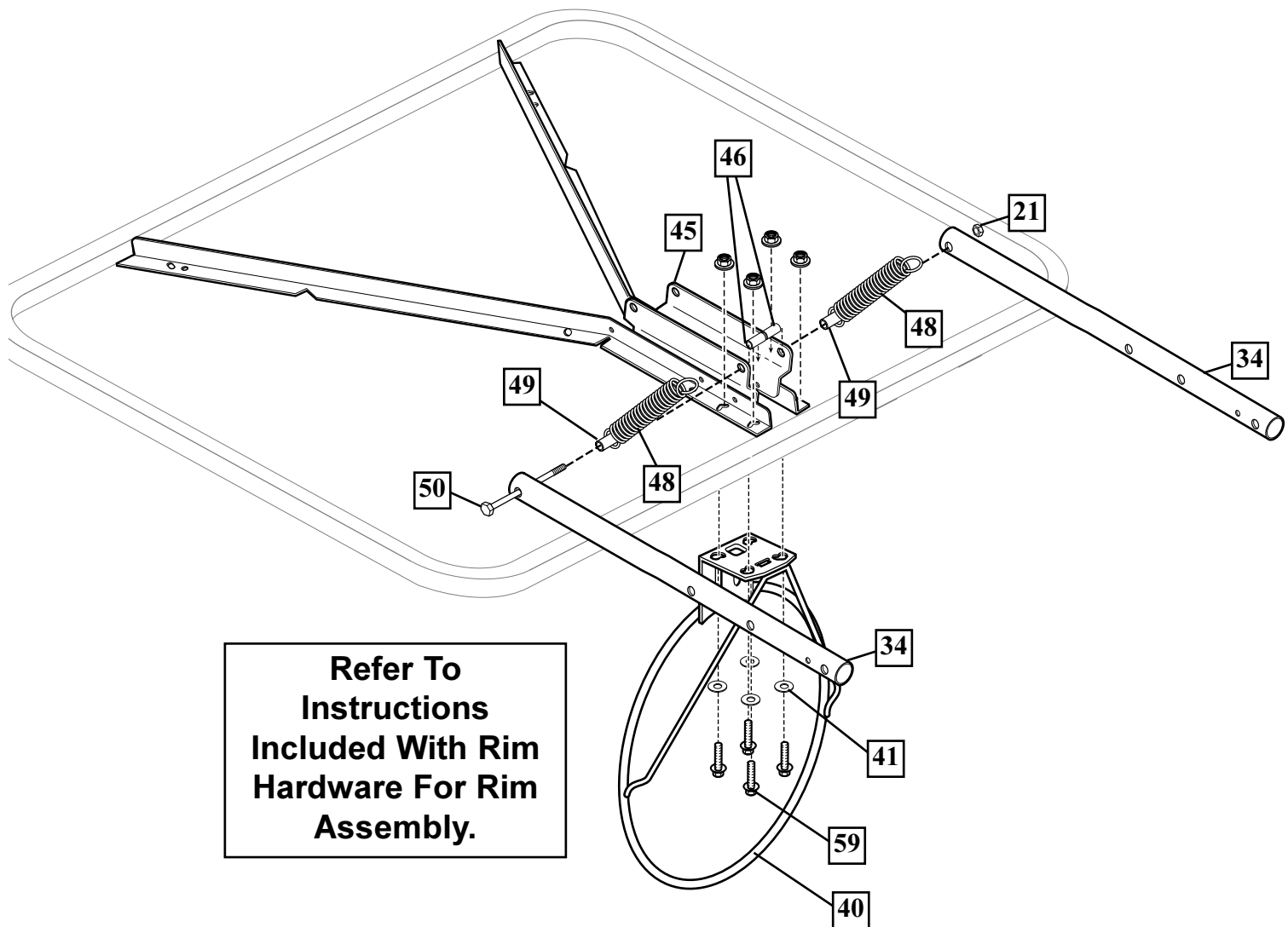


7. Identify elevator tubes (33 & 34).



Attach lower elevator tubes (34) and counter balance spring (48) to backboard support brackets (45) using spacers (46 & 49), bolt (50), and nut (21) as shown.

NOTE: Rim mounting nuts and bolts supplied with rim hardware.
NOTE: DO NOT use washers here on spring return style rims.

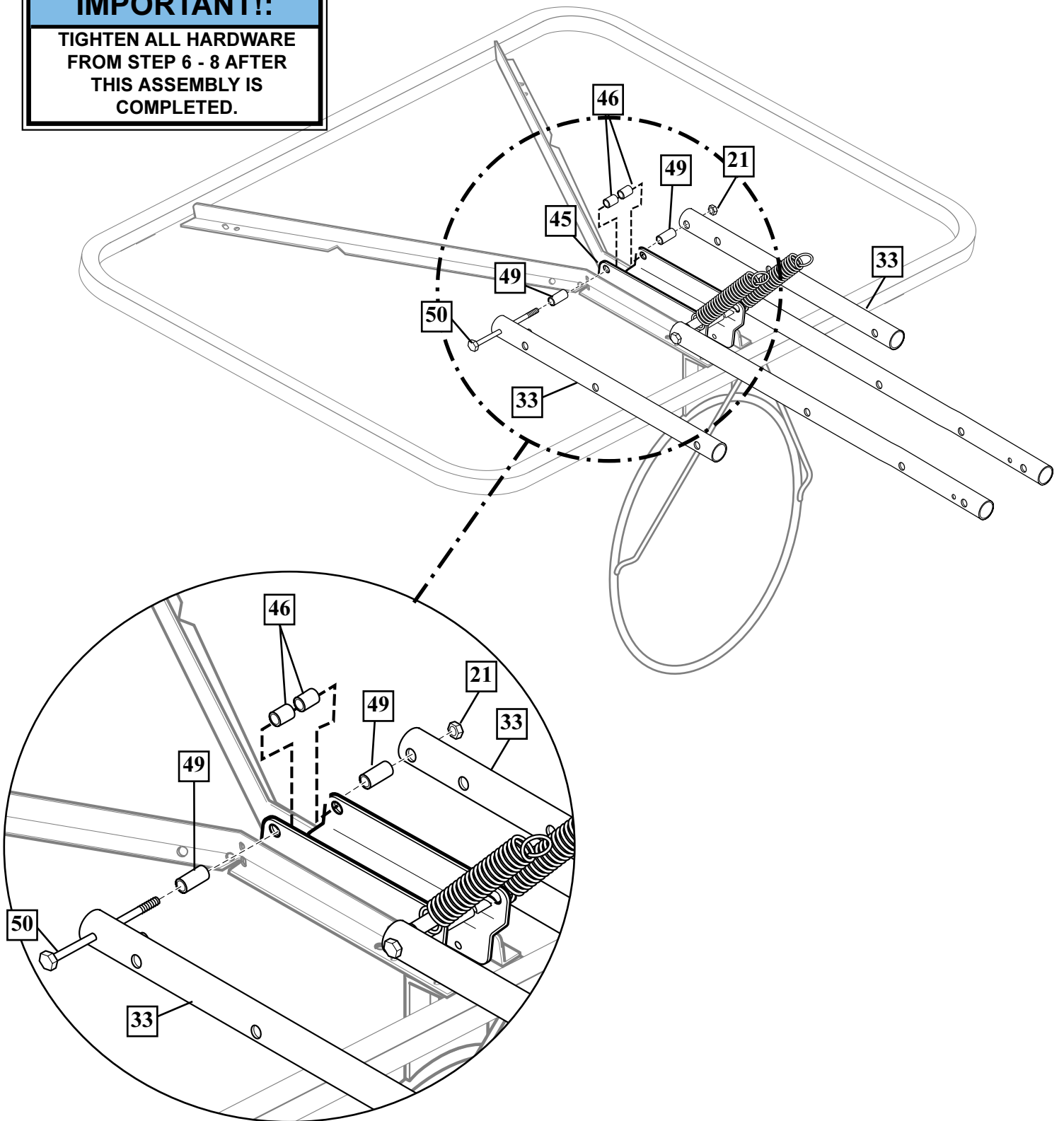


**Refer To
Instructions
Included With Rim
Hardware For Rim
Assembly.**

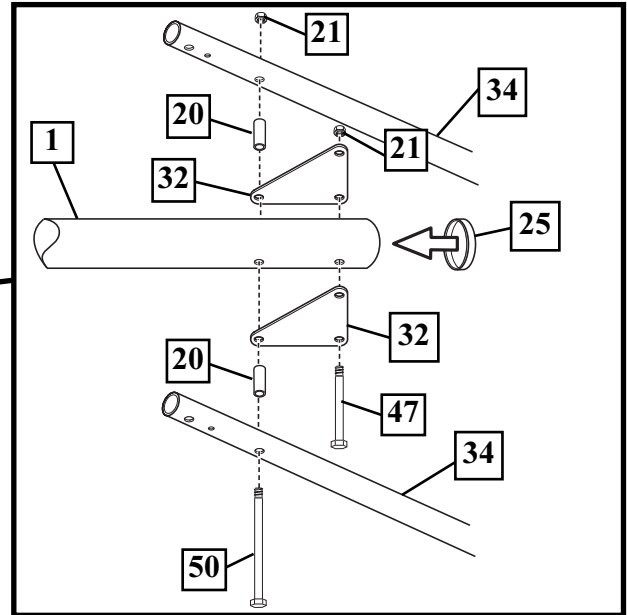
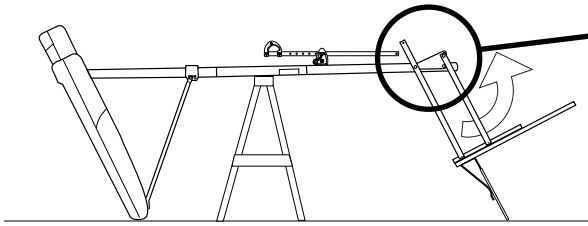
8. Attach upper elevator tubes (33) to backboard support brackets (45) using spacers (46 & 49), bolt (50), and nut (21) as shown.

IMPORTANT!:

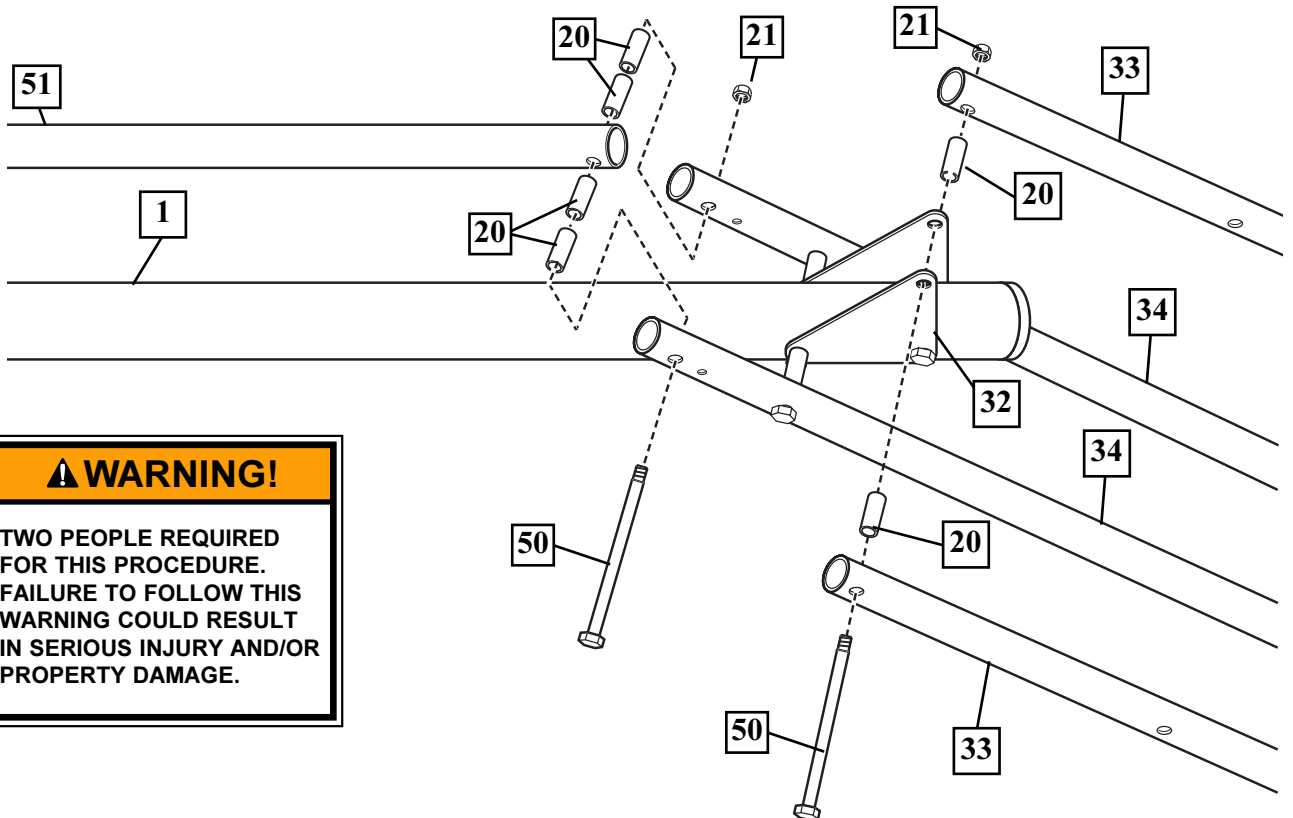
TIGHTEN ALL HARDWARE
FROM STEP 6 - 8 AFTER
THIS ASSEMBLY IS
COMPLETED.



- 9.** Support pole on sawhorse. Attach backboard assembly to top pole section (1) as shown. Install pole cap (25). **NOTE:** Two people are recommended for this step. Use caution; elevator assembly is heavy.

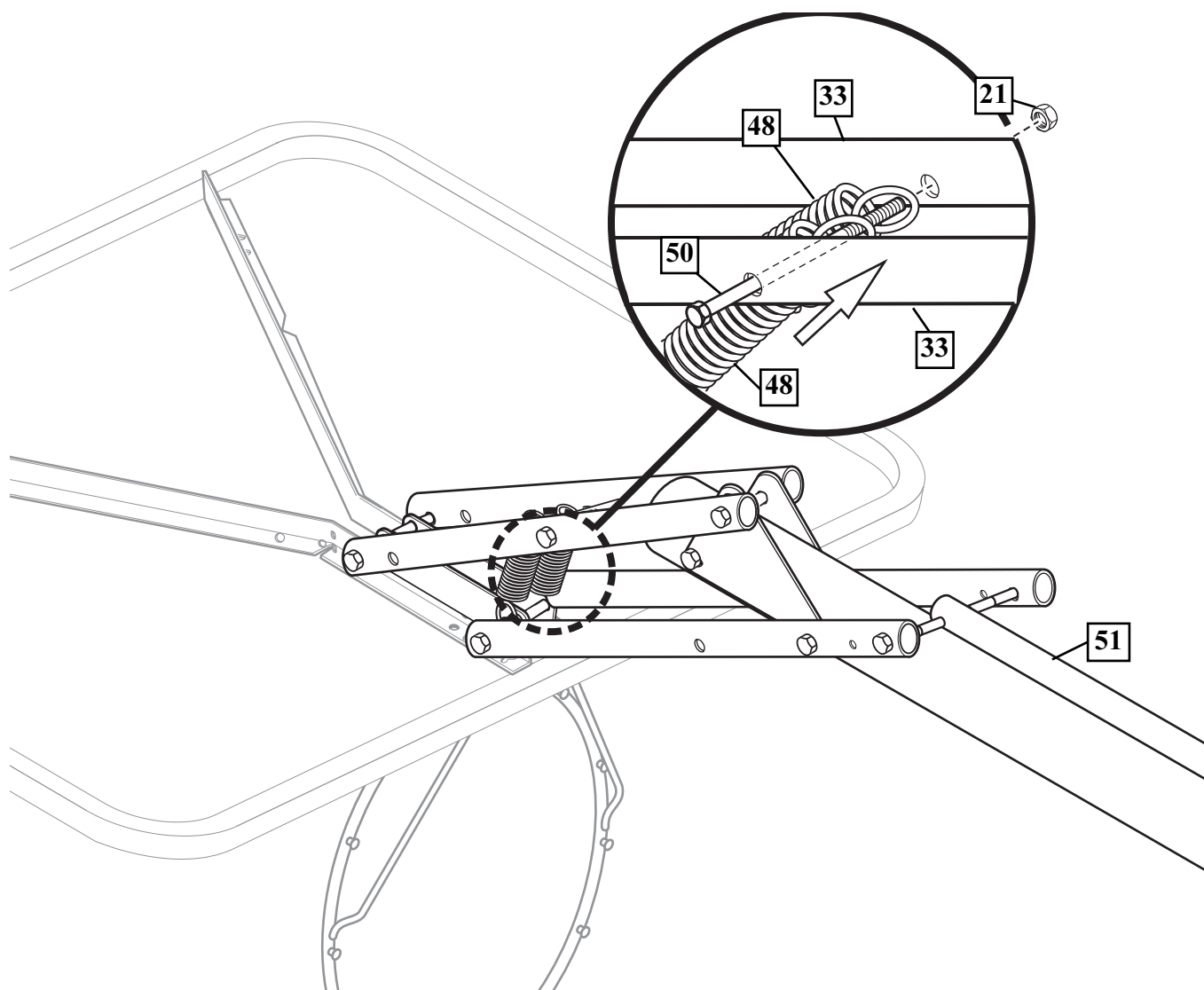


- 10.** Install upper elevator tubes (33) to triangle plates (32) as shown. Install handle assembly to lower elevator tubes (34) using bolt (50), spacers (20), and nut (21) as shown.
NOTE: Before going on to next step, set adjustable system assembly to the 10' (3.05 m) setting.



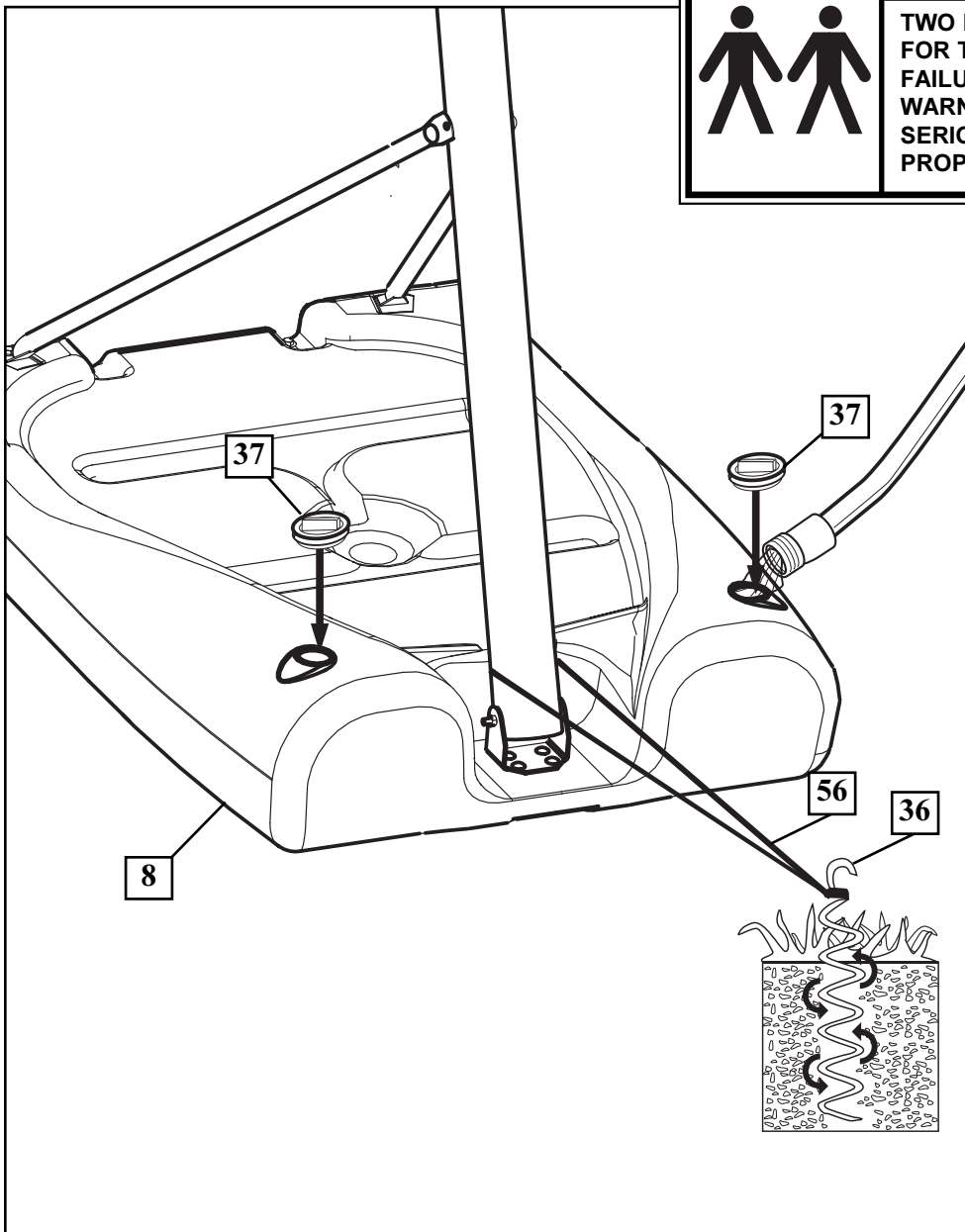
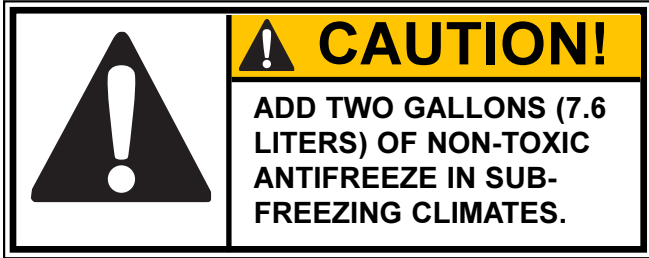
	⚠ WARNING!
	<p>TWO PEOPLE REQUIRED FOR THIS PROCEDURE. FAILURE TO FOLLOW THIS WARNING COULD RESULT IN SERIOUS INJURY AND/OR PROPERTY DAMAGE.</p>

- 11.** Insert bolt (50) through left side upper elevator tube (33), then stretch spring (48) onto bolt (50). Insert bolt (50) through right side upper elevator tube (33) and secure with nut (21).



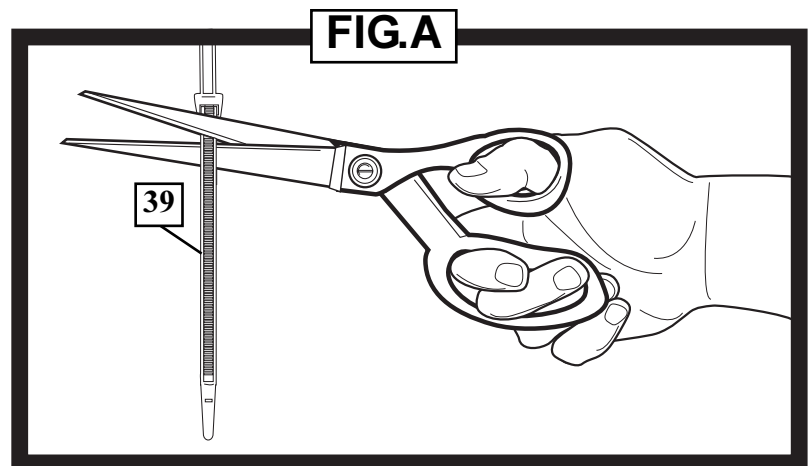
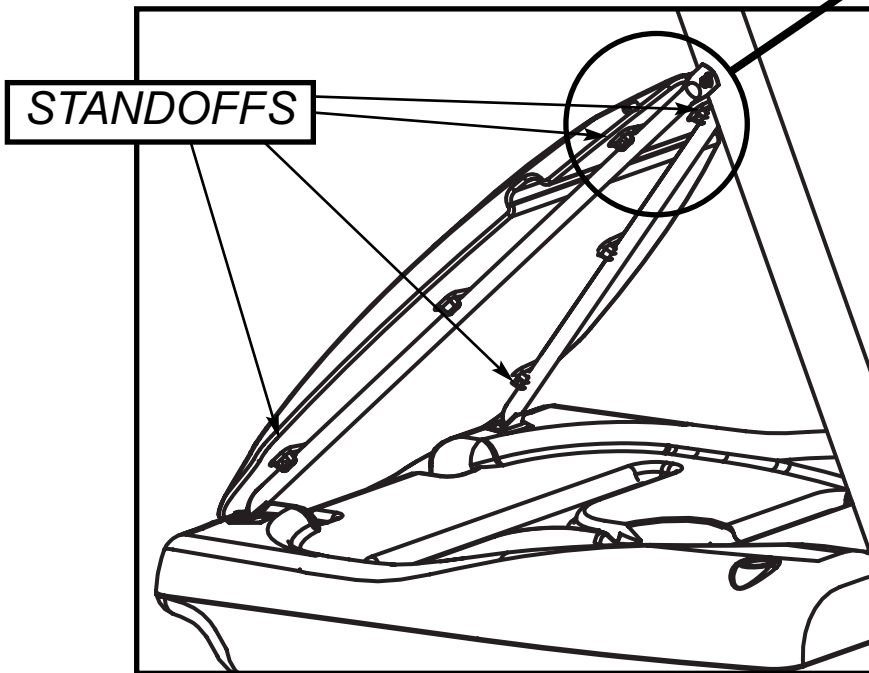
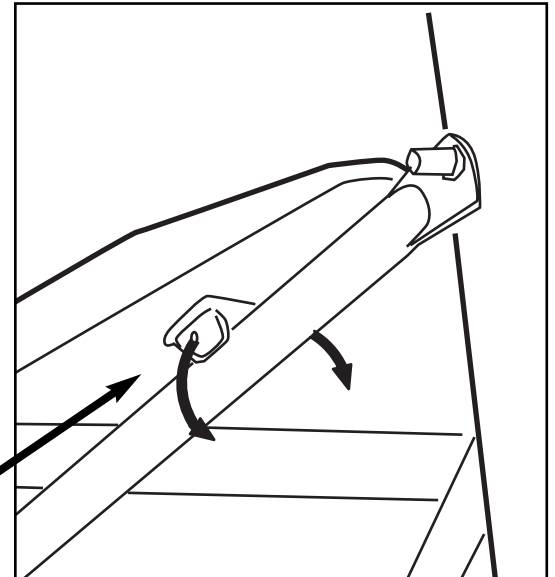
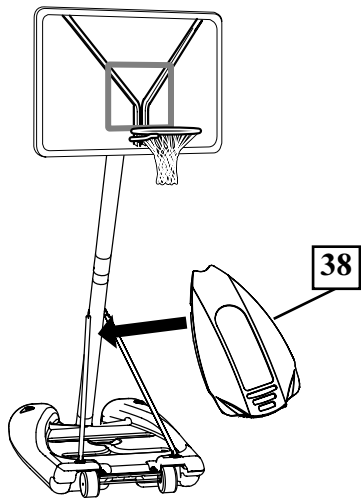
SECTION D: SECURING THE SYSTEM

1. Roll assembly to desired playing area. Secure assembly to ground using rope (56) and tie down stake (36). Fill base (8) with water (approx. 40 gallons) and snap fill caps (37) in place.



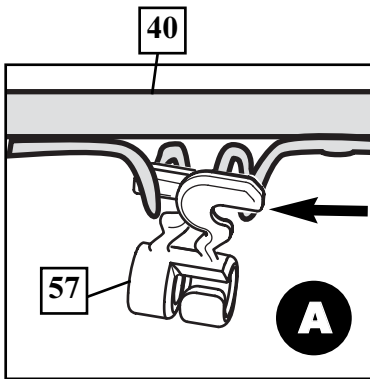
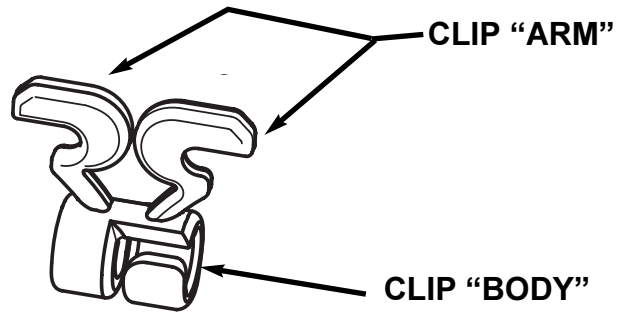
SECTION E: *INSTALL FRONT COVER*

1. Install front cover (38) by lining up stand-offs along the tank struts. Insert a tie strap (39) through the top two and bottom two stand offs. Wrap tie straps around tank struts as shown and secure tightly. Trim excess of tie strap as shown in **FIG.A**.



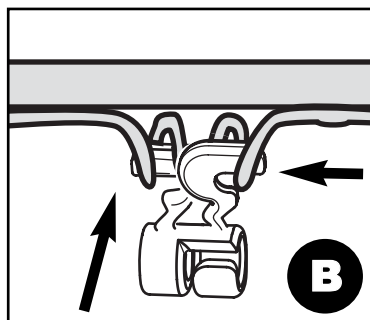
SECTION F: NET INSTALLATION

1. Install clips.

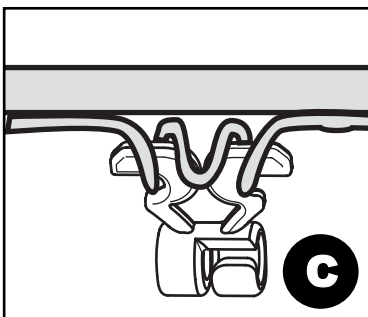


Insert one "arm" of clip into ram as shown. Twist "body" of clip slightly so that second "arm" slides over the top of the first "arm" as shown.

Push in direction indicated by arrows.

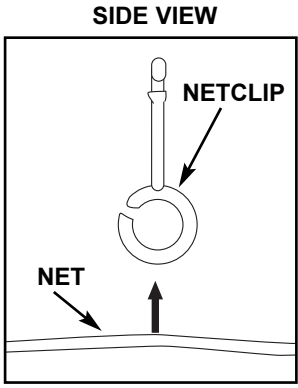
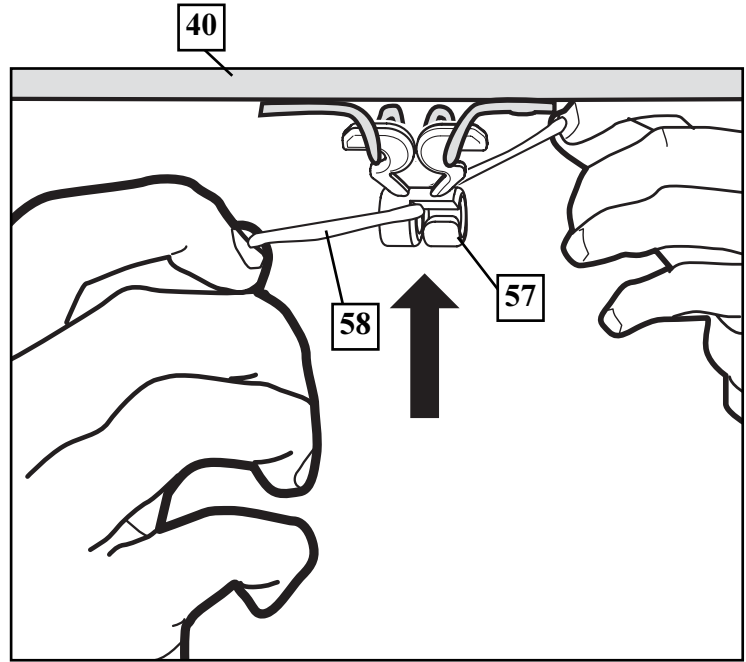


Push second "arm" back and into ram as shown.

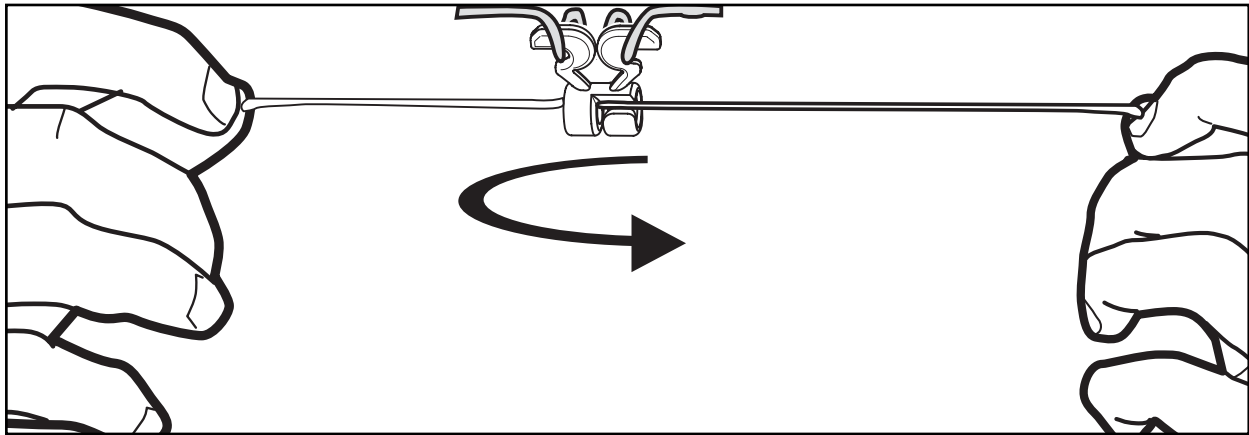


Twist "body" of clip slightly again to spread "arms" of clip. Clip "arms" must be flat and touching edge to edge as shown, not overlapping.

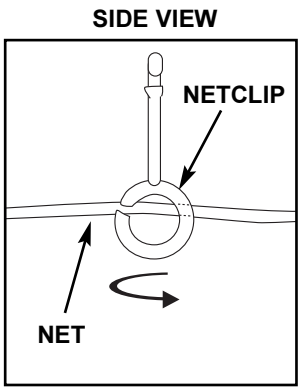
2.



Insert net into bottom of clip as shown.

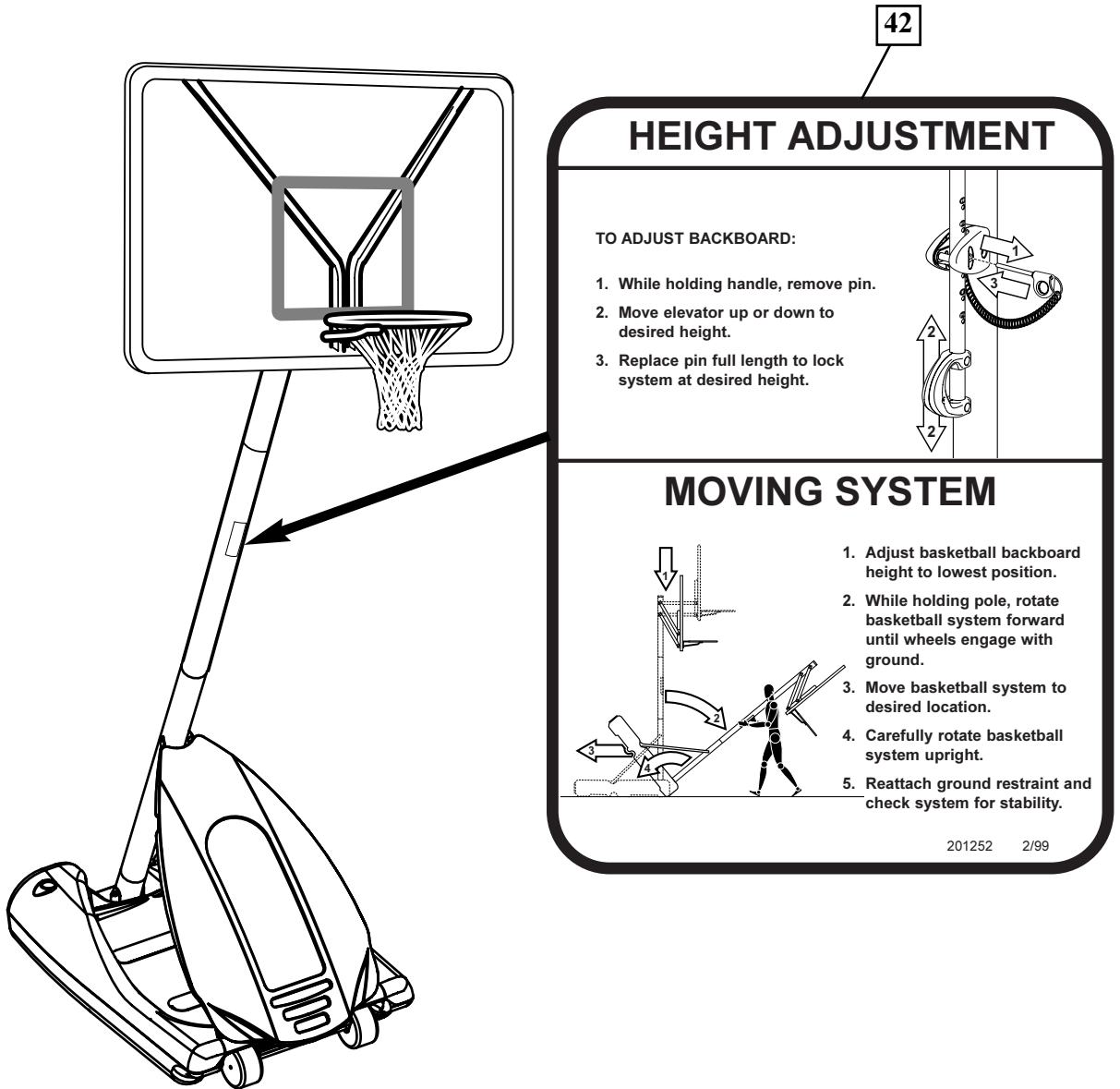


Twist net until it snaps into position.
Net must be centered through clip.



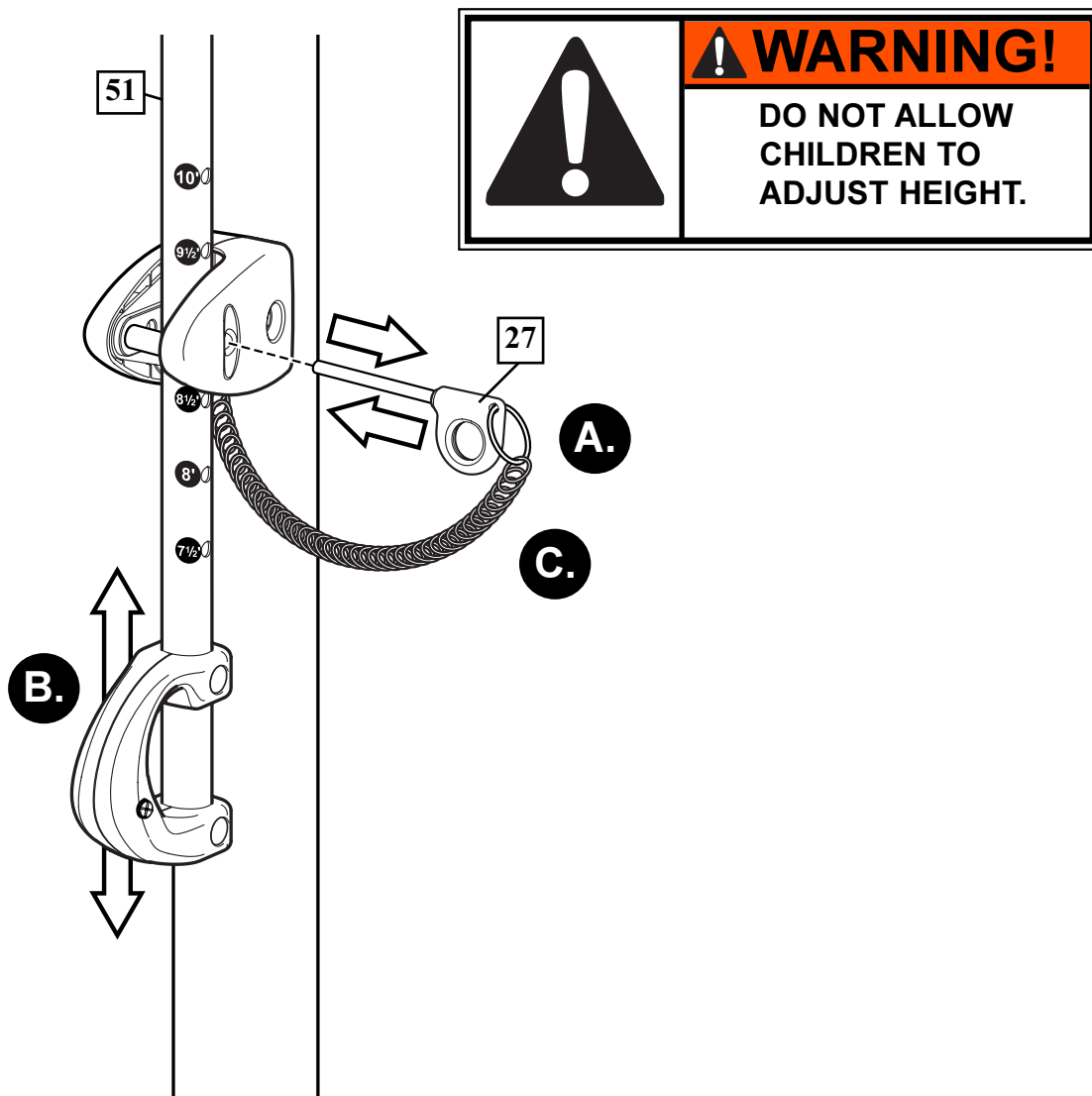
SECTION G: APPLY HEIGHT AND MOVING LABEL

1. Apply Height Adjustment and Moving Label (42) to front of pole, where it is clearly visible.



SECTION H: HEIGHT ADJUSTMENT

1. A. While holding handle, remove pin (27).
B. Move elevator up or down to desired height.
C. Replace pin (27) full length to lock system at desired height.



HUFFY®SPORTS

Système portable Manuel d'utilisation

Service clientèle

o N53 W24700 South Corporate Circle o Sussex, WI 53089 o É.-U.

HUFFY®SPORTS

Tragbares System Gebrauchsanleitung

Kundendienstzentrale

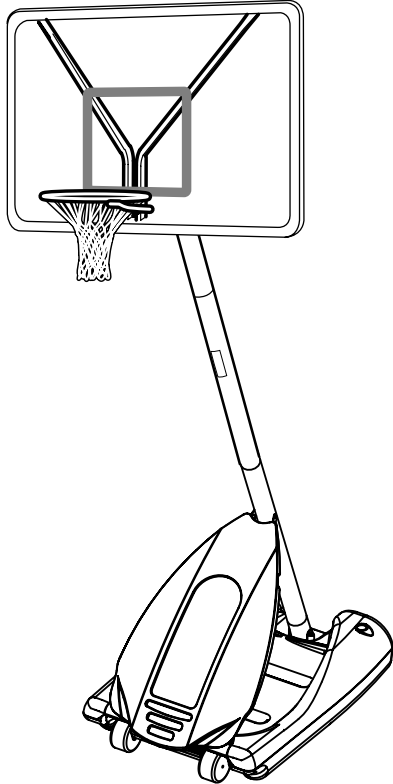
• N53 W24700 South Corporate Circle • Sussex, WI 53089 • U.S.A.

HUFFY®SPORTS

Sistema portátil Manual del propietario

Centro de Servicio al Cliente

o N53 W24700 South Corporate Circle o Sussex, WI 53089 o EE.UU.



FRANÇAIS

DEUTSCH

ESPAÑOL



**AVERTISSEMENT !
WARNUNG!
¡ADVERTENCIA!**



LISEZ LE MODE D'EMPLOI
AVANT D'UTILISER CE SYSTÈME

SOUS PEINE D'ENCOURIR DES BLESSURES
OU DES DÉGÂTS MATÉRIELS.

DAS BENUTZERHANDBUCH VOR
GEBRAUCH DIESES PRODUKTS
SORGFÄLTIG DURCHLESEN.

EIN MISSACHTEN DIESER
BETRIEBSANLEITUNG KANN
VERLETZUNGEN ODER
SACHSCHÄDEN ZUR FOLGE
HABEN.

LEA Y ENTIENDA EL MANUAL DEL
OPERADOR ANTES DE USAR ESTA UNIDAD.

SI NO SE SIGUEN LAS
INSTRUCCIONES DE OPERACIÓN SE
PODRÍA OCASIONAR UNA LESIÓN O DAÑOS
A LA PROPIEDAD. OR DAMAGE TO
PROPERTY.

OUTILS ET MATÉRIEL REQUIS : :

- o Deux personnes
- o Pièce de bois (rebut)
- o Ruban à mesurer
- o Échelle de 2,4 m
- o Ruban adhésif
- o Tuyau d'arrosage ou sable (163 kg)
- o Marteau
- o Clés : (Deux) douilles de 3/4 po, (une) douille de 1/2 po, (deux) douilles de 9/16 po ou équivalentes, (une) douille longue de 1/2 po avec clé à douilles et rallonge, douille de 3/8 po.
- o Table d'appui
- o Tournevis cruciforme

BENÖTIGTE WERKZEUGE UND MATERIALIEN:

- o Zwei Personen
- o Holzstück
- o Maßband
- o Stufenleiter 2,4 m (8 Fuß)
- o Klebeband
- o Gartenschlauch oder Sand (163 kg) (360 US-Pfd.)
- o Hammer
- o Schraubenschlüssel: (Zwei) 3/4 Zoll, (ein) 1/2 Zoll, (zwei) 9/16 Zoll oder gleichwertige Schraubenschlüssel; (ein) 1/2 Zoll tiefer Einsatz mit Verlängerung und Steckschlüssel, 3/8 Zoll.
- o Stütztisch
- o Kreuzschlitzschraubenzieher

HERRAMIENTAS Y MATERIALES REQUERIDOS:

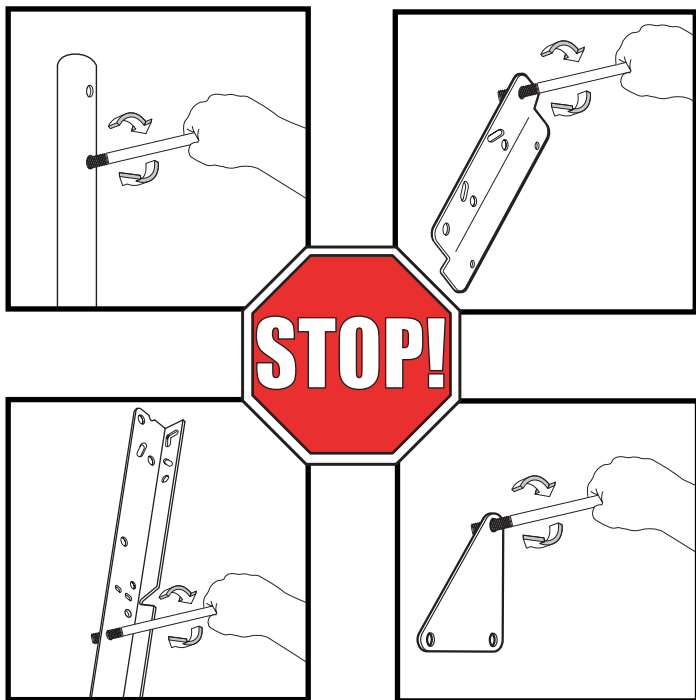
- o Dos personas
- o Tabla de madera (un trozo)
- o Cinta de medir
- o Escalera de mano de 8 pies (2.4 m)
- o Cinta adhesiva
- o Manguera de jardín o 360 libras (163 kg) de arena
- o Martillo
- o Llaves: (Dos) de 3/4", (una) de 1/2", (dos) de 9/16", o casquillos equivalentes, (un) casquillo extendido profundo de 1/2" con extensión y llave de tuercas de boca tubular, y casquillo de 3/8"
- o Mesa de apoyo
- o Destornillador de cabeza en cruz

Numéro sans frais du service clientèle (États-Unis) : 1-800-558-5234 ; Canada : 1-800-284-8339 ; Europe : 00 800 555 85234
(Suède : 009 555 85234), Pour l'Australie : 1-800-333 061 - Site Internet : <http://www.huffysports.com>

Gebührenfreie Kundendienstnummer für Anrufer in den USA: 1-800-558-5234 Für Anrufer in Kanada: 1-800-284-8339 Für Anrufer in Europa: 00 800 555 85234 (Schweden: 009 555 85234) Für Australien: 1-800-333.061 - Internet-Adresse: <http://www.huffysports.com>

Número telefónico gratuito de servicio al cliente en EE. UU.: 1-800-558-5234, para Canadá: 1-800-284-8339, para Europa: 00 800 555 85234 (Suecia: 009 555 85234), para Australia: 1-800-333 061 - Dirección en Internet: <http://www.huffysports.com>

AVANT DE COMMENCER! VORBEREITENDE MASSNAHMEN ¡ANTES DE COMENZAR!



Pour garantir l'utilisation optimale du panneau, les composants du système élévateur et la visserie doivent être bien ajustés (serrés). À titre d'essai, insérez les gros boulons dans les gros trous des tubes du système élévateur, des supports du panneau et des plaques triangulaires. Basculez-les avec précaution en imprimant un mouvement circulaire pour éliminer l'excédent de peinture, si nécessaire.

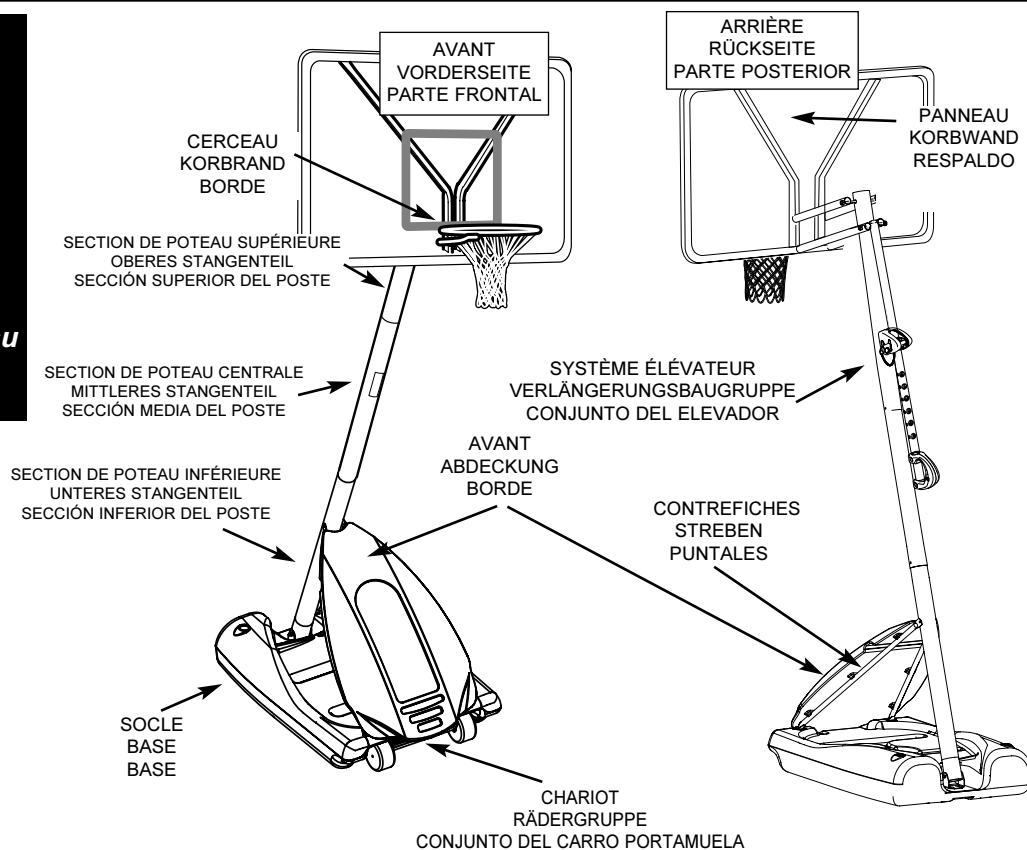
Um sicherzustellen, dass das Korbwandsystem optimal für den Spielbetrieb geeignet ist, müssen die Komponenten der Verlängerungsvorrichtung und die verschiedenen Befestigungsteile fest miteinander verschraubt werden. Große Schrauben zur Probe in die großen Löcher der Verlängerungsrohre, Korbwandklammern und Dreiecksplatte stecken und diese vorsichtig in einer Kreisbewegung hin- und herbewegen, um eventuelle Farbrückstände aus den Bohrungen zu entfernen.

Para asegurar el óptimo rendimiento del sistema del respaldo en el juego, se requiere un ajuste de tolerancia estrecha entre los componentes del elevador y el herraje. Pruebe el ajuste de los pernos grandes en los orificios grandes de los tubos elevadores, soportes del respaldo y placas triangulares. Cuidadosamente muévalos en círculos para eliminar cualquier exceso de pintura, si es necesario.

Apprenez à connaître les composants de base de votre système de basket-ball....

Machen Sie sich mit den wichtigsten Teilen Ihres Basketballsystems vertraut...

Conozca las piezas básicas de su sistema de baloncesto...





AVERTISSEMENT

SUIVEZ CES AVERTISSEMENTS SOUS PEINE DE PROVOQUER DES BLESSURES GRAVES ET/OU DES DEGATS MATERIELS.

Le propriétaire du système doit s'assurer que tous les joueurs connaissent et suivent ces consignes d'utilisation sûre du système.

- NE VOUS SUSPENDEZ PAS sur le cerceau ou sur toute autre partie du système, y compris le panneau, les supports ou le filet.
- Durant le jeu, en particulier lorsque vous faites des smash, gardez le visage à l'écart du panneau, du cerceau et du filet. Des blessures graves sont possibles si les dents ou le visage viennent à entrer en contact avec le panneau, le cerceau ou le filet.
- Ne glissez et ne montez pas sur le socle et/ou le poteau, ne les secouez pas et ne jouez pas dessus.
- Une fois le montage terminé, remplissez complètement le système d'eau ou de sable et fixez-le au sol à l'aide du piquet. Ne laissez jamais le système à la verticale sans avoir lesté le socle, car il risquerait de se renverser et de causer des blessures.
- Lorsque vous réglez la hauteur ou que vous déplacez le système, gardez les mains et les doigts à l'écart des pièces en mouvement.
- Ne laissez pas des enfants déplacer ou régler le système.
- Avant le jeu, retirez vos bijoux (bagues, montres, colliers, etc.). Ces objets risquent de se prendre dans le filet.
- La surface sous le socle doit être lisse et sans gravier ou autres objets pointus. Les perforations causeront des fuites et risquent de faire basculer le système.
- Maintenez les substances organiques à l'écart du socle du poteau. L'herbe, les déchets, etc. risquent de causer la corrosion et/ou la détérioration du système.
- Vérifiez l'état du système (signes de corrosion comme rouille, piqûres, écaillage) et repeignez avec de la peinture émail pour extérieur. Si la rouille a pénétré en tout point de l'acier, remplacez immédiatement le poteau.
- Vérifiez le système avant chaque utilisation (lest, visserie mal serrée, usure excessive et signes de corrosion) et réparez avant utilisation.
- Vérifiez la stabilité du système avant chaque utilisation.
- N'utilisez pas le système les jours de vent fort et/ou de tempête ; il risque de se renverser. Placez le système en position de stockage et/ou dans un endroit protégé du vent et à l'écart de biens personnels et/ou de fils suspendus.
- Ne jouez jamais sur du matériel abîmé.
- Pour les instructions d'installation et d'entretien, reportez-vous au guide fourni.
- Lorsque vous déplacez le système, soyez prudent pour empêcher le mécanisme de se déséquilibrer.
- Maintenez le poteau bouché à tout moment.
- Ne laissez pas geler l'eau du socle. Lorsqu'il fait très froid, ajoutez de l'antigel ou du sable, ou videz complètement le socle et rangez-le. (N'utilisez pas de sel.)
- Soyez extrêmement prudent si vous placez le système sur une déclivité. Le système risque de se renverser plus facilement.

HUFFYSPO RTS

In the U.S.: 1-800-558-5234 and Canada: 1-800-284-8339
201241 2/99



WARNUNG

EIN MISSACHTEN DIESER WARNUNG KANN ZU SCHWEREN VERLETZUNGEN UND/ODER SACHSCHÄDEN FÜHREN UND MACHT DIE GARANTIE UNWIRKSAM

Der Eigentümer muß sicherstellen, daß alle Spieler diese Regeln für einen sicheren Betrieb des Systems kennen und befolgen.

- NICHT am Korbrand oder irgendeinem anderen Teil des Systems, einschli. Korbrand, Stützstrahlen oder Netz HÄNGEN.
- Während des Spielbetriebs, besonders bei Stimm-Dunk-Manövern, fernhalten die Spieler ihr Gesicht vom Korbrand, Korbrand und Netz dem Korbrand oder dem Netz kann schwere Verletzungen zur Folge haben.
- Nicht auf dem Sockel und/oder der Stange herumrutschen, klettern, daran rütteln oder damit spielen.
- Nach dem Zusammenbau das System ganz mit Wasser oder Sand füllen und im Boden verankern. Das System niemals in aufrechter Position stehen lassen, ohne den Sockel zu beschweren, da es andernfalls umkippen und Verletzungen verursachen kann.
- Beim Einstellen der Höhe oder beim Transport des Systems Hände und Finger von beweglichen Teilen fernhalten.
- Kindern sollte das Verschieben oder Einstellen des Systems nicht gestattet werden.
- Beim Spielen keinen Schmuck (Ringe, Armbänder, Halsketten usw.) tragen. Gegenstände dieser Art können sich im Netz verfangen.
- Die Oberfläche unter dem Sockel muß glatt und frei von Kies oder anderen scharfkantigen Gegenständen sein. Löcher können zu Lecks und somit zu einem Umkippen des Systems führen.
- Organische Materialien vom Stangensockel fernhalten. Gras, Abfälle, usw. können Korrosion und/oder Abbauschichtungen verursachen.
- Das Stangensystem auf Anzeichen von Korrosion (Rost Narbenbildung, Abblättern) untersuchen und mit Emaliaußenfarbe neu lackieren. Wenn sich Rost an irgendeiner Stelle durch den Stahl durchgefressen hat, ist die Stange sofort auszutauschen.
- Das System vor jeder Benutzung auf den richtigen Ballast, lose Befestigungsteile, übermäßige Abnutzungsschichtungen und Anzeichen von Korrosion untersuchen; vor jedem Einsatz entsprechende Korrekturmaßnahmen bzw. Reparaturen durchführen.
- Die Stabilität des System vor jedem Gebrauch überprüfen.
- Das System nicht bei windigen und/oder unwirtlichen Witterungsverhältnissen benutzen, da es unter diesen Umständen umkippen kann. Das System in die Lagerposition versetzen und/oder in einen windgeschützten Bereich bringen, an dem es keine Sachschäden verursachen kann bzw. wo keine Oberleitungen vorhanden sind.
- Niemals an bzw. mit einer beschädigten Ausrüstung spielen.
- Die ordnungsgemäße Installation und Wartung ist dem Gebrauchshandbuch zu entnehmen.
- Beim Transport des Systems darauf achten, daß sich der Mechanismus nicht verschiebt.
- Das obere Stangenende muß jederzeit mit einer Kappe abgedeckt sein.
- Das Wasser im Tank darf keinesfalls gefrieren. Bei Temperaturen unter dem Nullpunkt ungefülltes Gefrierschutzmittel oder Sand hinzuzufügen oder den Tank völlig entleeren und lagern. (Kein Salz verwenden.)
- Beim Aufstellen des Systems auf einer geneigten Fläche mit großer Vorsicht vorgehen. Das System kann unter diesen Umständen leichter umkippen.

HUFFYSPO RTS

In the U.S.: 1-800-558-5234 and Canada: 1-800-284-8339 201241 2/99



ADVERTENCIA

SI NO SE OBSERVAN ESTAS ADVERTENCIAS SE PUEDEN OCASIONAR LESIONES GRAVES Y/O DAÑOS MATERIALES

El propietario debe asegurarse de que todos los jugadores conozcan y sigan estas reglas para la operación segura del sistema.

- NO SE CUELQUE del borde ni de ninguna parte del sistema, inclusive el respaldo, abrazaderas de soporte o red.
- Durante el juego, especialmente cuando se realizan actividades de disparo de pelota, el jugador debe mantener la cara alejada del respaldo, borde y red. Si los dientes o la cara entran en contacto con el respaldo, el borde o la red se podría ocasionar una lesión grave.
- No se deslice, suba, mueva ni juegue sobre la base y/o en el poste.
- Después de terminar el montaje, llene completamente el sistema con agua o arena y fíjelo al piso. Nunca deje el sistema en una posición vertical con la base vacía, ya que se podría ladear y causar lesiones.
- Cuando ajuste la altura o mueva el sistema, mantenga las manos y los dedos alejados de las partes móviles.
- No permita que los niños muevan o ajusten el sistema.
- Durante el juego no use bisutería (anillos, relojes, collares, etc.).
- Los objetos pueden enredarse en la red.
- La superficie debajo de la base debe estar lisa y no tener grava ni otros objetos filosos. Las perforaciones ocasionan fugas y éstas podrían ocasionar que el sistema se ladee.
- Mantenga el material orgánico alejado de la base del poste. El césped, desperdicios, etc. podrían causar corrosión y/o deterioro.
- Verifique que el sistema del poste no esté corroído (oxidación, corrosión, astillamiento) y si es así vuélvalo a pintar con pintura de esmalte para exteriores. Si la oxidación penetra en el acero en algún punto, reemplácelo inmediatamente el poste.
- Antes de usar el sistema verifique que tenga el balasto adecuado, que la tornillería no esté floja y que no esté excesivamente desgastado ni tenga signos de corrosión. Si presenta alguna de estas condiciones repárelo antes de usarlo.
- Revise la estabilidad del sistema antes de usarlo.
- No use el sistema durante condiciones de mucho viento y/o condiciones climáticas severas, el sistema se puede ladear.
- Coloque el sistema en posición de almacenamiento y/o en un área protegida del viento y alejado de la propiedad personal o cables suspendidos.
- Nunca juegue en equipo dañado.
- Consulte el manual de instrucciones para ver la instalación y mantenimiento adecuados.
- Cuando mueva el sistema tenga cuidado de que el mecanismo no se desplace.
- Siempre mantenga tapada la sección superior del poste.
- No permita que el agua del tanque se congele. En condiciones climáticas bajo cero añada un anticongelante no tóxico, arena, o vacíe completamente el tanque y almacene el sistema. (No use sal.)
- Tenga mucho cuidado si coloca el sistema en una superficie con pendiente. El sistema se puede ladear más fácilmente.

HUFFYSPO RTS

In the U.S.: 1-800-558-5234 and Canada: 1-800-284-8339 201241 2/99

⚠ CONSIGNES DE SÉCURITÉ ! ⚠

SUIVEZ CES CONSIGNES DE SÉCURITÉ SOUS PEINE DE PROVOQUER DES BLESSURES GRAVES, DES DÉGÂTS MATÉRIELS ET L'ANNULATION DE LA GARANTIE.

Le propriétaire doit s'assurer que tous les joueurs connaissent et suivent ces règles d'utilisation sûre du système.

Par mesure de sécurité, n'essayez pas de monter ce système sans suivre scrupuleusement les instructions. Un montage, une utilisation et une supervision corrects et complets sont indispensables à un bon fonctionnement et à la réduction des risques d'accident ou de blessure. Des blessures graves sont très probables si le système n'est pas installé, entretenu et utilisé correctement.

- o Si vous utilisez une échelle en cours de montage, soyez extrêmement prudent.
- o Vérifiez régulièrement le socle pour vous assurer qu'il ne fuit pas. Les petites fuites risquent d'entraîner le basculement intempestif du système.
- o Emboîtez correctement les sections de poteau (le cas échéant). Elles risquent sinon de se déboîter en cours de jeu et/ou de transport du système.
- o Les conditions climatiques, la corrosion ou une mauvaise utilisation risquent de provoquer la panne du système.
- o Pour toute assistance technique, contactez Huffy Sports.
- o La hauteur minimale d'utilisation est de 1,98 (6' 6") m jusqu'à la base du panneau.

La plupart des blessures sont causées par une mauvaise utilisation et/ou le non-respect des instructions. Soyez prudent lorsque vous utilisez ce système.

⚠ SICHERHEITSHINWEISE ⚠

EIN MISSACHTEN DIESER SICHERHEITSHINWEISE KANN ZU SCHWEREN VERLETZUNGEN UND/ODER SACHSCHÄDEN FÜHREN UND MACHT DIE GARANTIE UNWIRKSAM..

Der Eigentümer muss sicherstellen, dass alle Spieler diese Regeln für einen sicheren Betrieb des Systems kennen und befolgen.

Aus Sicherheitsgründen darf dieses System nur unter sorgfältiger Beachtung der Anleitung zusammengebaut werden. Eine ordnungsgemäße und vollständige Montage, Verwendung und Aufsicht ist für den richtigen Betrieb und zur Reduzierung des Unfall- oder Verletzungsrisikos absolut erforderlich. Bei einer unsachgemäßen Installation und Wartung und bei einem falschen Betrieb dieses Systems besteht ein hohes Risiko schwerer Verletzungen.

- o Beim Gebrauch einer Leiter während des Zusammenbaus extrem vorsichtig vorgehen.
- o Den Sockel regelmäßig auf Leckstellen untersuchen. Langsam austretende Füllmittel können ein unerwartetes Umkippen des Systems verursachen.
- o Die einzelnen Stangenteile richtig zusammenfügen (falls anwendbar). Andernfalls können sich die Stangenteile beim Spielbetrieb und/oder während des Transports des Systems voneinander lösen.
- o Klimatische Bedingungen, Korrosion oder Fehlgebrauch kann zu Systemdefekten führen.
- o Technische Unterstützung kann direkt von Huffy Sports angefordert werden.
- o Die Mindestspielhöhe beträgt 1,98m (6,6 Fuß) bis zur Unterkante der Korbwand.

Die meisten Verletzungen werden durch einen Fehlgebrauch bzw. ein Missachten der Anleitungen verursacht. Bei der Verwendung dieses Geräts vorsichtig vorgehen.

⚠ ¡INSTRUCCIONES DE SEGURIDAD! ⚠

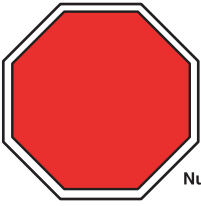
EL INCUMPLIMIENTO DE ESTAS INSTRUCCIONES DE SEGURIDAD PUEDE DAR COMO RESULTADO LESIONES GRAVES, DAÑOS MATERIALES Y ANULARÁ LA GARANTÍA..

El propietario debe asegurarse de que todos los jugadores conozcan y obedezcan estas reglas para la operación segura del sistema.

Por su seguridad, no intente montar este sistema sin seguir cuidadosamente las instrucciones. Es esencial el montaje completo, y el uso y la supervisión adecuados para la operación correcta del sistema y para reducir el riesgo de accidentes o lesiones. Existe una alta probabilidad de sufrir lesiones graves si este sistema no se instala, mantiene y opera adecuadamente.

- o Si utiliza una escalera de mano durante el montaje, tenga mucho cuidado.
- o Revise regularmente la base para detectar fugas. Las fugas lentas podrían causar que el sistema se cayera inesperadamente
- o Asiente correctamente las secciones del poste (si aplica). Si no lo hace, las secciones del poste podrían separarse durante el juego y/o durante el transporte del sistema.
- o El clima, la corrosión y el mal uso podrían ocasionar la falla del sistema.
- o Si requiere asistencia técnica, comuníquese con Huffy Sports.
- o La altura mínima de operación es de 1.98m (6' 6") hasta la parte inferior del respaldo.

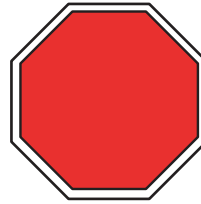
La mayoría de las lesiones son causadas por el uso inadecuado y/o por el incumplimiento de las instrucciones. Tenga cuidado cuando use esta unidad.



IMPORTANT!

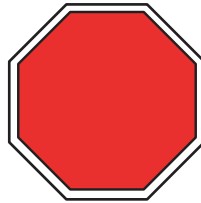
En cas de questions...
pas besoin de retourner au magasin!

Etats-Unis et Canada uniquement: 1-800-284-8339
Numéro vert international (France, Suisse) : 00 800 555 85234



WICHTIG!

Huffy steht zur Qualität seiner Produkte!
(Deutschland, Schweiz): 00 800 555 85234



¡IMPORTANTE!

!Usted es importante para Huffy!

00 800 555 85234

AVIS AUX PERSONNES CHARGÉES DU MONTAGE

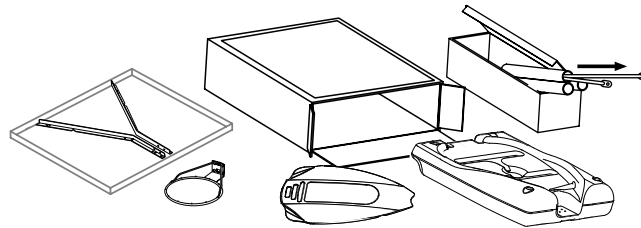
TOUS les systèmes de basket-ball Huffy Sports, y compris ceux utilisés en EXPOSITION, **DOIVENT** être assemblés et lestés de sable ou d'eau, selon les instructions. Suivez ces instructions sous peine d'encourir des **BLESSURES GRAVES**. Il est **INACCEPTABLE** de composer un système de lestage de fortune.

HINWEIS FÜR DIE PERSONEN, DIE DEN ZUSAMMENBAU DURCHFÜHREN

ALLE Basketballsysteme von Huffy Sports, einschließlich der zu Demonstrationszwecken benutzten Systeme, müssen gemäß der Montageanleitung zusammengebaut und mit Sand oder Wasser beschwert werden. Ein Missachten dieser Anleitung kann **SCHWERE VERLETZUNGEN** zur Folge haben. Zum Beschweren darf **NICHT** zu irgendwelchen Notbehelfsmaßnahmen gegriffen werden.

AVISO PARA LAS PERSONAS QUE REALIZAN EL MONTAJE

TODOS los sistemas de baloncesto de Huffy Sports, inclusive los usados para EXHIBICIÓN, **DEBEN** estar montados y equilibrados con arena o agua, de acuerdo con las instrucciones. Si se ignoran estas instrucciones se podría ocasionar una **LESIÓN GRAVE**. **NO** es aceptable improvisar un sistema de pesas provisional.



IMPORTANT!

Videz entièrement les boîtes.

Veillez à vérifier l'intérieur des sections de poteau.

La quincaillerie et des pièces supplémentaires sont emballées à l'intérieur.

¡IMPORTANTE!

Saque todo el contenido de las cajas.

Asegúrese de revisar el interior de las secciones del poste.

Ahí se han empacado herraje y piezas adicionales.

WICHTIG!

Die Kartons vollständig auspacken.

Den Hohlraum in den Stangenteilen inspizieren.

Dort sind Befestigungs- und andere Kleinteile verpackt.

LISTE DES PIÈCES TEILELISTE

FRANÇAIS

<u>Légende</u>	<u>Quantité</u>	<u>No de réf.</u>	<u>Description</u>
1	1	908026	Section de poteau supérieure
2	1	908107	Section de poteau centrale (avec étiquette)
3	1	908015	Section de poteau inférieure
4	1	900223	Support des roues
5	1	206940	Axe
6	2	226403	Roue
7	2	206938	Écrou capuchon
8	1	206660	Socle
9	6	203156	Boulon hexagonal, 5/16-18 x 1
10	18	203218	Rondelle plate, 5/16
11	21*	203100	Écrou hexagonal à embase, 5/16-18
12	1	201581	Support de poteau
13	2	202662	Boulon hexagonal, 5/16-18 x 4,5
14	2	203099	Contre-écrou, 5/16-18
15	4	203223	Boulon ordinaire, 5/16-18 x 1
16	2	906410	Contrefiche de réservoir
17	1	200516	Couvre-boulon
18	1	206990	Support de renforcement
19	3	203038	Boulon ordinaire, 5/16-18 x 2 3/4 (long.)
20	8	202862	Entretoise plastique, 1,19 po (long.)
21	7*	206340	Contre-écrou, 1/2-13
22	2	203053	Boulon ordinaire, 5/16-18 x 4 (long.)
23	1	204872	Étiquette, indication de hauteur
24	2	204858	Entretoise plastique triple
25	1	207103	Capuchon de poteau
26	1	204853	Cordon spiralé noir
27	1	204850	Goupille de blocage
28	1	204832	Support de poteau
29	4	206360	Boulon hexagonal, 3/8-16 x 2,625
30	2	201129	Entretoise métallique
31	4	201124	Contre-écrou, 3/8-16
32	2	900867	Plaque triangulaire
33	2	904807	Tube du dispositif élévateur, supérieur, court
34	2	900183	Tube du dispositif élévateur, inférieur, long
35	2	204859	Couvre-support
36	1	203124	Piquet de fixation au sol
37	2	203617	Bouchon de socle
38	1	201965	Protecteur avant
39	6*	203257	Attache
40	1		Cerceau
41	4	203309	Rondelle plate
42	1	201252	Étiquette, réglage de hauteur et déplacement
43	2	204857	Entretoise métallique, D.E. 1/2 po x 1,44 (long.)
44	4	203232	Rondelle plate, 3/8
45	2	900964	Support de panneau
46	1	201681	Entretoise, 0,530 D.I. x 0,88 (long.)
47	1	202856	Boulon hexagonal, 1/2-13 x 4 po (long.)
48	1	204838	Ressort d'équilibrage
49	4	201682	Entretoise, 0,530 D.I. x 1,875
50	6	202532	Boulon hexagonal, 1/2-13 x 9,5 po
51	1	904866	Tige de réglage de la hauteur
52	1	204855	Poignée gauche
53	1	204856	Poignée droite
54	2	203103	Boulon ordinaire, 5/16-18 x 2 (long.)
55	1	204803	Vis cruciforme
56	1	204444	Corde
57	12	201219	Support de filet Smart Clips
58	1		Filet
59	4*	205528	Boulon hexagonal, 5/16-18 x 1 po

* Des pièces supplémentaires sont peut-être fournies avec ce modèle.

DEUTSCH

<u>Nr.</u>	<u>Anz.</u>	<u>Teile-Nr.</u>	<u>Beschreibung</u>
1	1	908026	Oberes Stangenteil
2	1	908107	Mittleres Stangenteil (mit Aufkleber)
3	1	908015	Unteres Stangenteil
4	1	900223	Radhalterung
5	1	206940	Achse
6	2	226403	Rad
7	2	206938	Druckmutter
8	1	206660	Sockel
9	6	203156	Sechskantkopfschraube, 5/16-18 x 1
10	18	203218	Unterlegscheibe, flach 5/16
11	21*	203100	Sechskant-Flanschmutter, 5/16-18
12	1	201581	Stangenhalterung
13	2	202662	Sechskantkopfschraube, 5/16-18 x 4,5
14	2	203099	Gegenmutter, 5/16-18
15	4	203223	Schlossschraube, 5/16-18 x 1
16	2	906410	Tankverstrebung
17	1	200516	Schraubenabdeckung
18	1	206990	Verstärkungshalterung
19	3	203038	Schlossschraube, 5/16-18 x 2-3/4 Länge
20	8	202862	Abstandsstück, Plastik, 1,19 Zoll Länge
21	7*	206340	Gegenmutter, 1/2-13
22	2	203053	Schlossschraube, 5/16-18 x 4 Länge
23	1	204872	Höhenanzeigenaufkleber
24	2	204858	Abstandsstück, Plastik, rund
25	1	207103	Stangenkappe
26	1	204853	Abzugsleine, schwarze Rolle
27	1	204850	Verriegelungsstift
28	1	204832	Stangenmontageklammer
29	4	206360	Sechskantkopfschraube, 3/8-16 x 2,625
30	2	201129	Abstandsstück, Metall
31	4	201124	Gegenmutter, 3/8-16
32	2	900867	Dreiecksplatte
33	2	904807	Oberes kurzes Verlängerungsrohr
34	2	900183	Unteres langes Verlängerungsrohr
35	2	204859	Stiftschiebeabdeckung
36	1	203124	Bodenverankerungspfahl
37	2	203617	Sockelstüpsel
38	1	201965	Frontabdeckung
39	6*	203257	Halteriemen
40	1 K		orbrand
41	4	203309	Unterlegscheibe, flach
42	1	201252	Höheneinstell- und Transportaufkleber
43	2	204857	Abstandsstück, Metall, 1/2 Zoll AD x 1,44 Zoll Länge
44	4	203232	Unterlegscheibe, flach 3/8
45	2	900964	Korbwandstützklammer
46	1	201681	Abstandsstück, 0,530 ID x 0,88 Länge
47	1	202856	Sechskantschraube, 1/2-13 x 4 Länge
48	1	204838	Gegengewichtsfeder
49	4	201682	Abstandsstück, 0,530 ID x 1,875
50	6	202532	Sechskantschraube, 1/2-13 x 9,5 Zoll
51	1	904866	Höheneinstellstange
52	1	204855	Griff, links
53	1	204856	Griff, rechts
54	2	203103	Schlossschraube, 5/16-18 x 2 Länge
55	1	204803	Kreuzschlitz-Kopfschraube
56	1	204444	Seil
57	12	201219	Smart Clips, Netzhalteklammer
58	1		Netz
59	4	205528	Sechskantschraube, 5/16-18 x 1Zoll

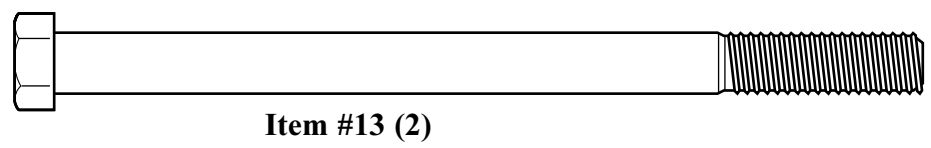
* Diesem Modell können zusätzliche Teile beige packt sein.

LISTA DE PIEZAS

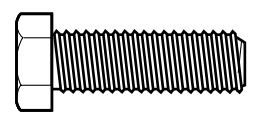
<u>Artículo</u>	<u>Cant.</u>	<u>Pieza N.º</u>	<u>Descripción</u>	<u>Artículo</u>	<u>Cant.</u>	<u>Pieza N.º</u>	<u>Descripción</u>
1	1	908026	Sección superior del poste	35	2	204859	Cubierta, corredera de perno
2	1	908107	Sección media del poste (con etiqueta)	36	1	203124	Estaca de amarre
3	1	908015	Sección inferior del poste	37	2	203617	Tapón de la base
4	1	900223	Soporte de la rueda	38	1	201965	Cubierta frontal
5	1	206940	Eje	39	6*	203257	Correas de sujeción
6	2	226403	Rueda	40	1		Borde
7	2	206938	Tuerca dentada	41	4	203309	Arandela plana
8	1	206660	Base	42	1	201252	Etiqueta, ajuste y movimiento de la altura
9	6	203156	Perno, cabeza hexagonal, 5/16-18 x 1	43	2	204857	Espaciador, de metal, ½" de D.E. x 1.44 de largo
10	18	203218	Arandela plana, 5/16	44	4	203232	Arandela plana, 3/8
11	21*	203100	Tuerca, brida hexagonal, 5/16-18	45	2	900964	Soporte, soporte del respaldo
12	1	201581	Soporte del poste	46	1	201681	Separador 0.530 D.I. x 0.88 de longitud
13	2	202662	Perno, cabeza hexagonal, 5/16-18 x 4.5	47	1	202856	Perno hexagonal 1/2-13 x 4" de longitud
14	2	203099	Contratuerca, 5/16-18	48	1	204838	Resorte, contrapeso
15	4	203223	Perno cabeza de carro, 5/16-18 x 1	49	4	201682	Separador 0.530 D.I. x 1.875 de longitud
16	2	906410	Puntal del tanque	50	6	202532	Perno hexagonal 1/2-13 x 9.5"
17	1	200516	Cubierta del perno	51	1	904866	Varilla de ajuste de la altura
18	1	206990	Soporte de refuerzo	52	1	204855	Manija, izquierda
19	3	203038	Perno cabeza de carro, 5/16-18 x 2-3/4 de longitud	53	1	204856	Manija, derecha
20	8	202862	Espaciador de plástico, 1.19" de longitud	54	2	203103	Perno cabeza de carro, 5/16-18 x 2 de longitud
21	7*	206340	Contratuerca, 1/2-13	55	1	204803	Tornillo, cabeza en cruz
22	2	203053	Perno cabeza de carro, 5/16-18 x 4 de longitud	56	1	204444	Cuerda
23	1	204872	Etiqueta, indicadora de altura	57	12	201219	Smart Clips, sujetador de la red
24	2	204858	Espaciador de plástico, obolongo	58	1		Red
25	1	207103	Tapa del poste	59	4	205528	Perno hexagonal 5/16-18 x 1" longitud
26	1	204853	Acollador, espiral negro				
27	1	204850	Perno, fijación				
28	1	204832	Soporte, montaje del poste				
29	4	206360	Perno, cabeza hexagonal, 3/8-16 x 2.625				
30	2	201129	Espaciador de metal				
31	4	201124	Contratuerca, 3/8-16				
32	2	900867	Placa triangular				
33	2	904807	Tubo elevador, superior-corto				
34	2	900183	Tubo elevador, inferior-largo				

* Puede haber piezas adicionales en este modelo.

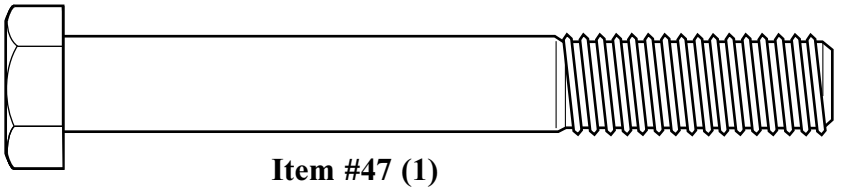
**IDENTIFICATION DES PIÈCES (BOULONS ET VIS)
 BEFESTIGUNGSTEILESCHLÜSSEL (BOLZEN UND SCHRAUBEN)
 IDENTIFICADOR DE HERRAJE (PERNOS Y TORNILLOS)**



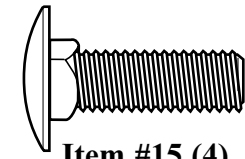
Item #13 (2)



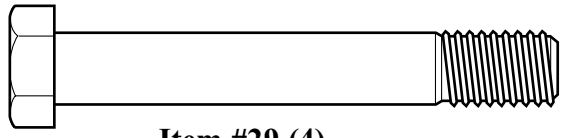
Item #9 (6)



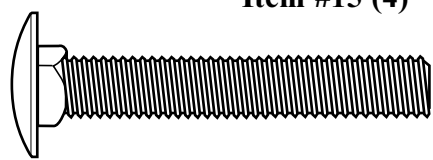
Item #47 (1)



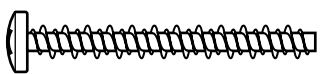
Item #15 (4)



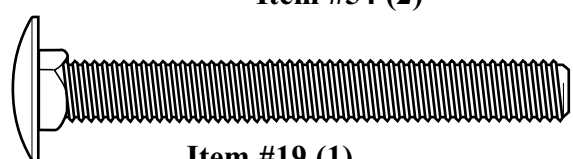
Item #29 (4)



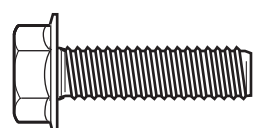
Item #54 (2)



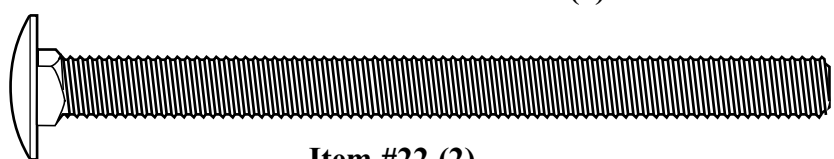
Item #55 (1)



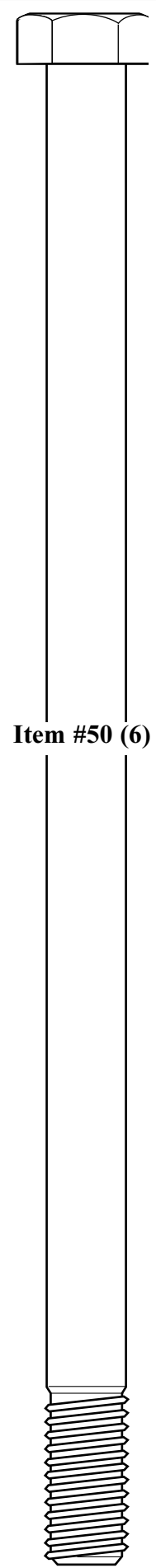
Item #19 (1)



Item #59 (4)

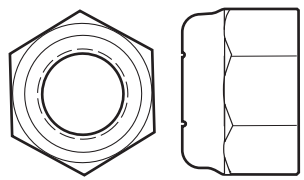


Item #22 (2)

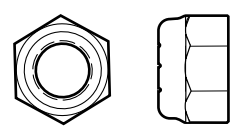


Item #50 (6)

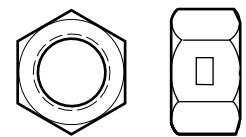
**IDENTIFICATION DES PIÈCES (ÉCROUS, RONDELLES ET ENTRETOISES MÉTALLIQUES)
 BEFESTIGUNGSTEILESCHLÜSSEL (MUTTERN, UNTERLEGSCHIEBEN UND METALL-ABSTANDSSTÜCKE)
 IDENTIFICADORES DEL HERRAJE (TUERCAS, ARANDELAS Y ESPACIADORES DE METAL)**



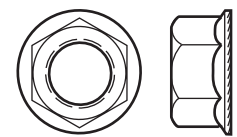
Item #21 (7)



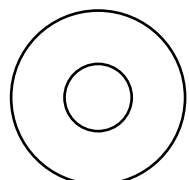
Item #14 (2)



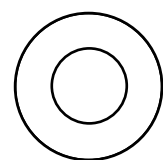
Item #31 (4)



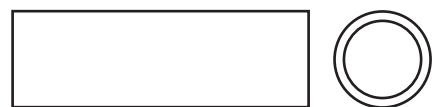
Item #11 (15)



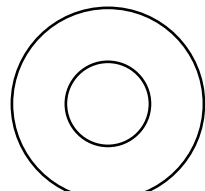
Item #10 (18)



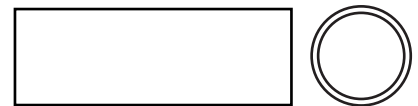
Item #44 (4)



Item #30 (2)

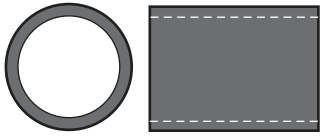


Item #41 (4)

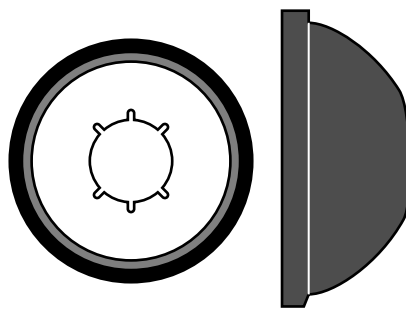


Item #43 (2)

IDENTIFICATION DES PIÈCES (ENTRETOISES ET CAPUCHONS EN PLASTIQUE)
BEFESTIGUNGSTEILESCHLÜSSEL (PLASTIK-ABSTANDSSTÜCKE UND KAPPEN)
IDENTIFICADORES DEL HERRAJE (ESPACIADORES DE PLÁSTICO Y TAPAS)



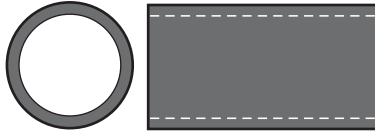
Item #46 (4)



Item #7 (2)



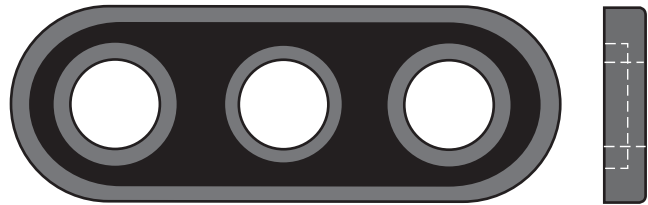
Item #17 (1)



Item #20 (8)



Item #49 (4)

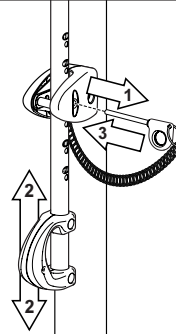


Item #24 (2)

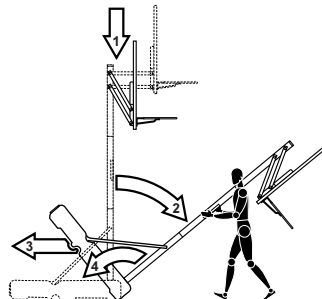
HEIGHT ADJUSTMENT

TO ADJUST BACKBOARD:

1. While holding handle, remove pin.
2. Move elevator up or down to desired height.
3. Replace pin full length to lock system at desired height.



MOVING SYSTEM



1. Adjust basketball backboard height to lowest position.
2. While holding pole, rotate basketball system forward until wheels engage with ground.
3. Move basketball system to desired location.
4. Carefully rotate basketball system upright.
5. Reattach ground restraint and check system for stability.

201252 2/99

#42 (1)

SECTION A : MONTAGE DES SECTIONS DE POTEAU

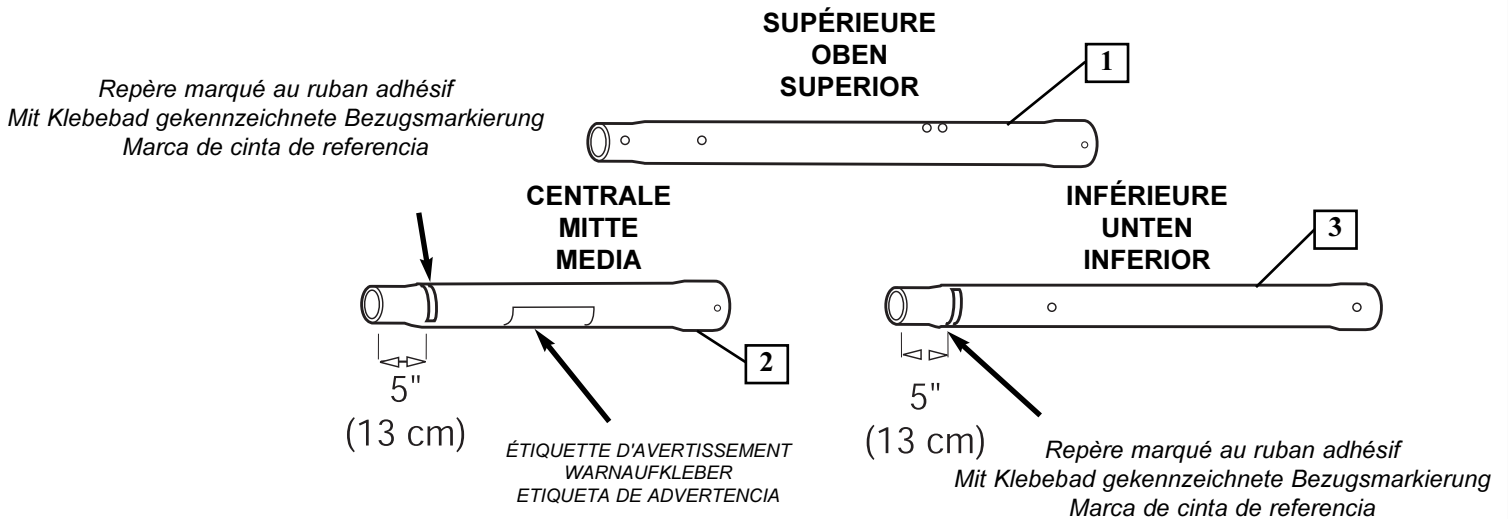
BAUABSCHNITT A: ZUSAMMENBAU DER STANGENTEILE

SECCIÓN A: MONTAJE DE LAS SECCIONES DEL POSTE

- 1.** Posez des repères sur les sections de poteau avec des morceaux de ruban adhésif (non compris), de la façon illustrée.

Die Stangenteile wie gezeigt mit Klebeband (nicht im Lieferumfang enthalten) markieren.

Marque con cinta las secciones del poste (no se suministran), como se muestra.



- 2.** Insérez la section centrale (2) dans la section supérieure (1) en laissant tomber les sections sur une pièce de bois, de la façon illustrée, jusqu'à ce que la section supérieure cesse d'avancer vers le repère marqué au ruban adhésif sur la section centrale.

Repère marqué au ruban adhésif
Mit Klebeband gekennzeichnete
Bezugsmarkierung

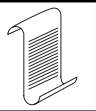
Das mittlere Stangenteil (2) wie gezeigt mit einem Holzstück in das obere Stangenteil (1) hineinklopfen, bis sich das obere Stangenteil nicht mehr auf die mit Klebeband markierte Stelle am mittleren Stangenteil zubewegt.

Golpee la sección media del poste (2) contra la sección superior del poste (1) usando un trozo de madera, como se muestra, hasta que la parte superior del poste ya no se mueva hacia la marca de cinta de referencia que se encuentra a la sección media del poste.

Bout de bois
(non fourni)

Holzstück
(nicht im
Lieferumfang
enthalten)

Trozo de madera
(No se suministra)



REMARQUE: HINWEIS: NOTA:

Les sections de poteau doivent se chevaucher de 9 cm minimum. Une fois assemblées, les sections de poteau ne PEUVENT pas être séparées !

Las secciones del poste se deben traslapar un mínimo de 3-1/2" (9 cm). Una vez montadas las secciones del poste ¡NO SE PUEDEN separar!

Die Stangenteile müssen einander um mindestens 9 cm (3 ½ Zoll) überlappen. Nach dem Zusammenbau können die einzelnen Stangenteile NICHT mehr voneinander getrennt werden.

3. Aligned les trous du haut de la section supérieure avec les trous du bas de la section inférieure. Maintenez l'alignement et insérez l'ensemble composé des sections supérieure et centrale (1 et 2) sur la section inférieure (3) en laissant tomber les sections sur la pièce de bois, de la façon illustrée, jusqu'à ce que l'ensemble supérieur cesse d'avancer vers le repère marqué au ruban adhésif sur la section inférieure (3).

Die oberen Löcher des oberen Stangenteils mit den unteren Löchern des unteren Stangenteils zur Deckung bringen. Die aus dem oberen und mittleren Stangenteil bestehende Einheit (1 u. 2) mit einem Holzstück wie gezeigt auf das untere Stangenteil (3) klopfen, bis sie sich nicht mehr auf die Markierung am unteren Stangenteil (3) zubewegt.

Alinee los orificios superiores de la sección superior del poste con los orificios inferiores de la sección inferior del poste. Mientras mantiene la alineación, golpee el conjunto de las secciones superior y media del poste (1 y 2) contra la sección inferior (3) usando un trozo de madera, como se muestra, hasta que ya no se mueva hacia la marca de identificación del poste que se encuentra en el poste inferior (3).

IMPORTANT!
WICHTIG!
¡IMPORTANTE!

Les trous des sections de poteau supérieure (1) et inférieure (3) **DOIVENT** être alignés les uns avec les autres pour permettre le positionnement correct du dispositif élévateur par rapport à la surface de jeu.

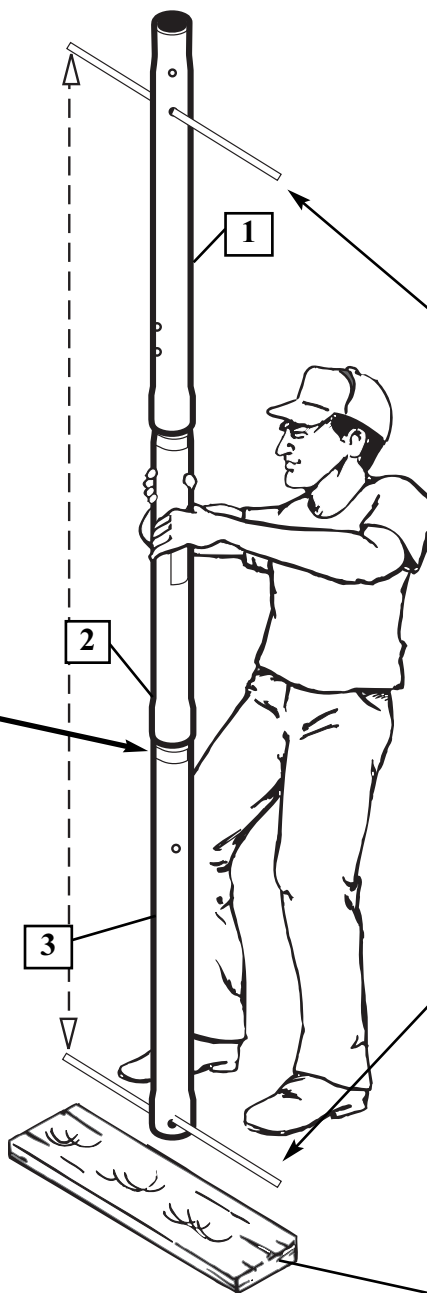
Die Löcher im oberen (1) und unteren (3) Stangenteil **MÜSSEN** miteinander zur Deckung kommen, damit das Verlängerungssystem richtig zur Spielfläche hin positioniert werden kann.

Los orificios de las secciones superior (1) e inferior (3) del poste **DEBEN** estar alineados para colocar correctamente el sistema elevador hacia la superficie de juego.

Repère marqué au ruban adhésif

Mit Klebeband gekennzeichnete Bezugsmarkierung

Marca de cinta de referencia



CES TIGES SONT ILLUSTRÉES UNIQUEMENT POUR INDICHER L'ALIGNEMENT REQUIS. ELLES NE SONT PAS COMPRISES DANS LE MATÉRIEL FOURNI.

DIE HIER ABGEBILDETEN STÄBE DIENEN NUR DER BESSEREN VERANSCHAULICHUNG DER KORREKTEN AUSRICHTUNG; SIE SIND NICHT IM LIEFERUMFANG ENTHALTEN.

LAS VARILLAS SE MUESTRAN CON EL OBJETO DE REPRESENTAR VISUALMENTE LA ALINEACIÓN, Y NO SE SUMINISTRAN CON EL HERRAJE

Bout de bois (non fourni)

Holzstück (nicht im Lieferumfang enthalten)

Trozo de madera (No se suministra)

REMARQUE:
HINWEIS:
NOTA:

Les sections de poteau doivent se chevaucher de 9 cm minimum. Une fois assemblées, les sections de poteau ne **PEUVENT** pas être séparées !

Las secciones del poste se deben traslapar un mínimo de 3-1/2" (9 cm). Una vez montadas las secciones del poste **¡NO SE PUEDEN** separar!

Die Stangenteile müssen einander um mindestens 9 cm (3 ½ Zoll) überlappen. Nach dem Zusammenbau können die einzelnen Stangenteile **NICHT** mehr voneinander getrennt werden.

SECTION B : MONTAGE DU SOCLE

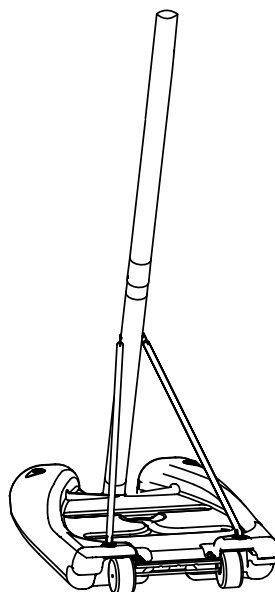
BAUABSCHNITT B: ZUSAMMENBAU DES SOCKELS

SECCIÓN B: MONTAJE DE LA BASE

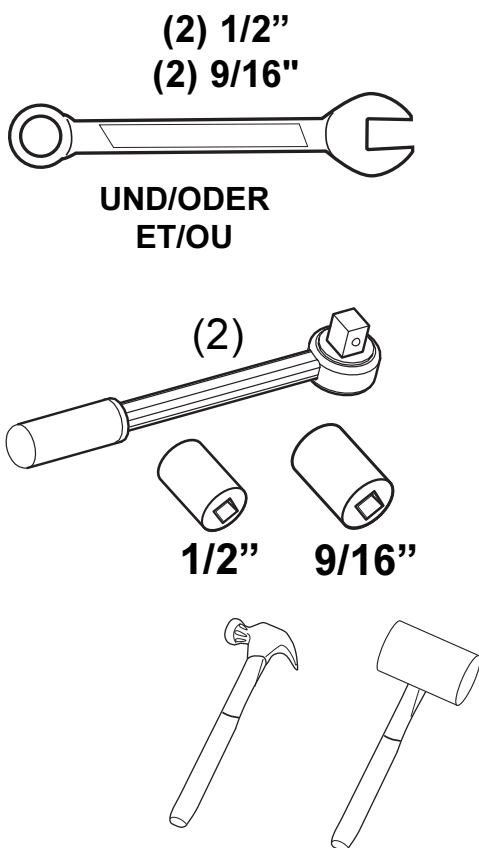
Voici à quoi ressemblera votre système lorsque vous en aurez fini avec cette section:

So sieht das System aus, wenn Sie mit diesem Bauabschnitt fertig sind:

Así es como se verá su sistema cuando haya terminado esta sección:



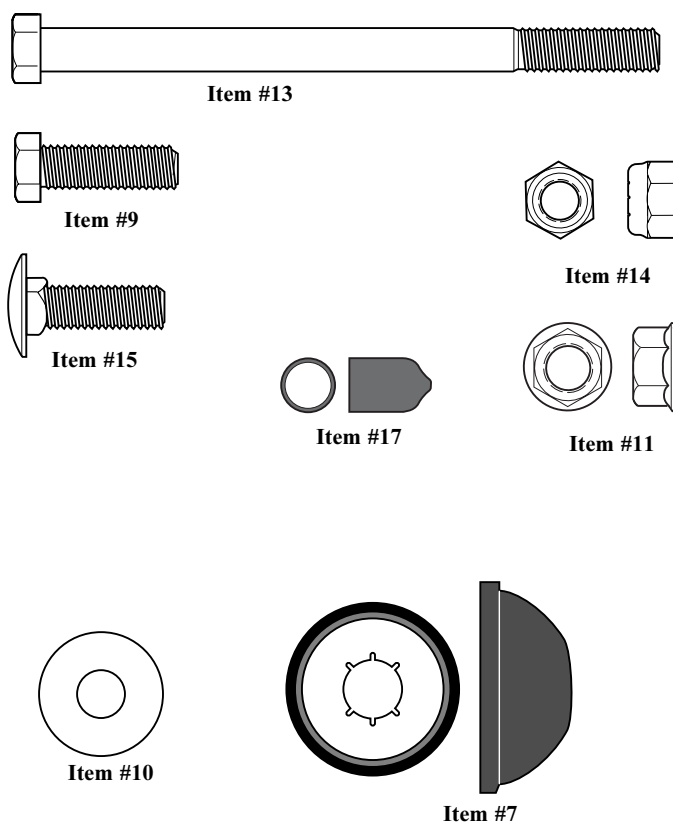
OUTILS REQUIS POUR CETTE SECTION FÜR DIESEN BAUABSCHNITT BENÖTIGTES WERKZEUG HERRAMIENTAS REQUERIDAS PARA ESTA SECCIÓN



VISSERIE UTILISÉE DANS CETTE SECTION (pas à l'échelle)

IN DIESEM BAUABSCHNITT BENUTZTE BEFESTIGUNGSTEILE
(die Abbildungen entsprechen nicht der tatsächlichen Größe)

HERRAJE USADO EN ESTA SECCIÓN (no se muestra en su tamaño real)



1. Assemblez le support du poteau (12) au moyen d'un boulon (13) et d'un contre-écrou (14), de la façon illustrée.

Die Stangenhalterung (12) wie gezeigt mit Schraube (13) und Gegenmutter (14) zusammenbauen.


Monte el soporte del poste (12) usando el perno (13) y la contratuerca (14) como se muestra.

2. Fixez le poteau sur le socle au moyen de boulons ordinaires (15), de rondelles (10) et d'écrous (11), de la façon illustrée. Il est recommandé de s'y prendre à deux pour cette manœuvre.

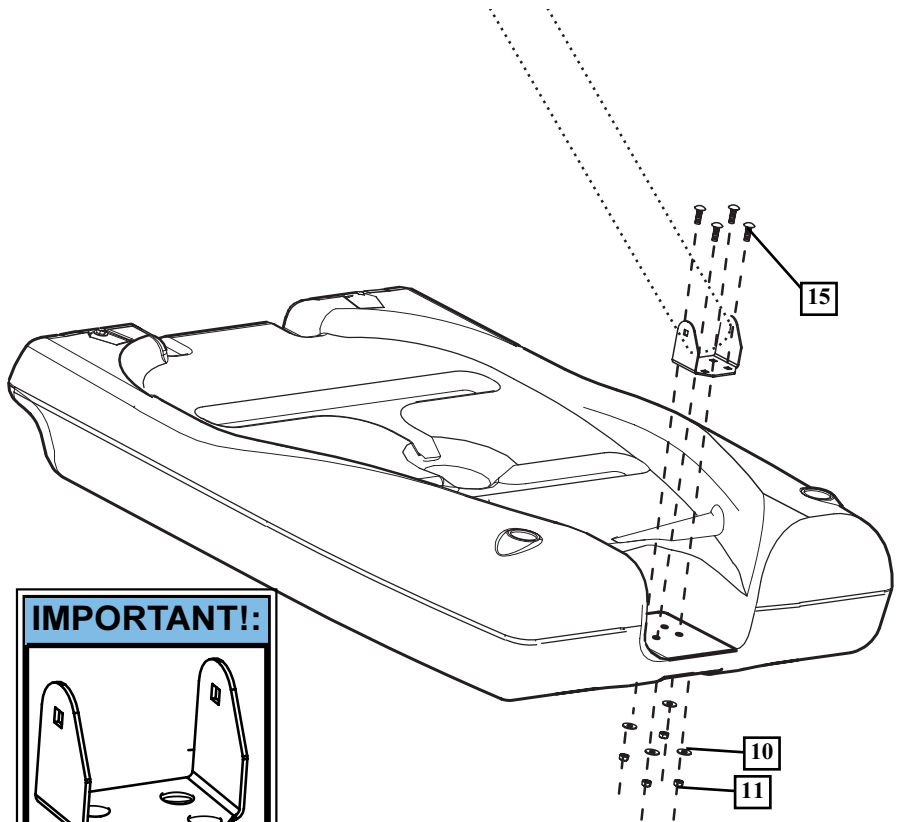
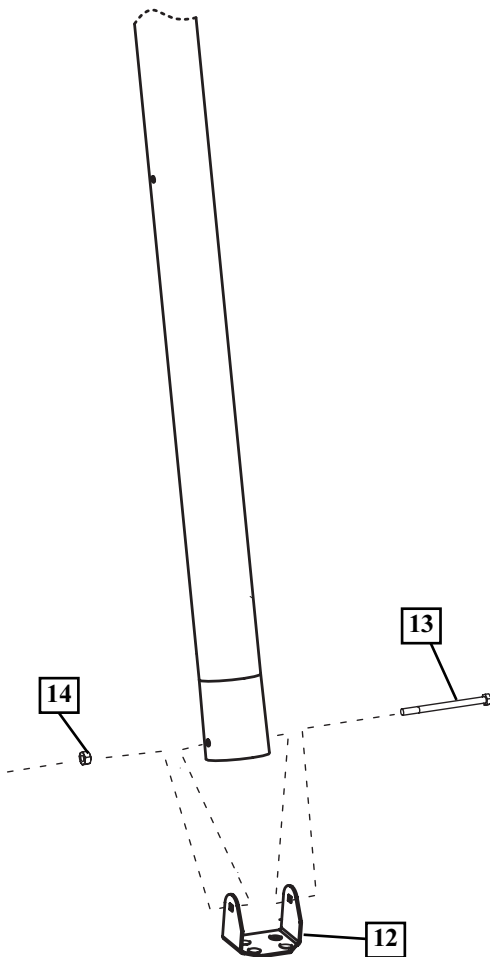
Den Stangenbaugruppe wie gezeigt mit Schlossschrauben (15), Unterlegscheiben (10) und Muttern (11) am Sockel befestigen. Dieses Schritt muss von zwei Personen ausgeführt werden.

Instale el conjunto del poste en la base usando pernos cabeza de carro (15), arandelas (10) y tuercas (11) como se muestra. Se recomienda que dos personas realicen este paso.

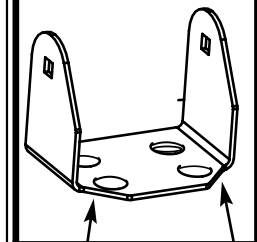
IMPORTANT!
WICHTIG!
¡IMPORTANTE!



NE SERREZ PAS TROP !
NICHT ZU FEST ANZIEHEN.
NO APRIETE EXCESIVAMENTE



IMPORTANT!:



LES COINS BISEAUTÉS DU SUPPORT DE POTEAU DOIVENT ÊTRE ORIENTÉS VERS L'ARRIÈRE DU SOCLE, DE LA FAÇON ILLUSTRÉE.

DIE ABGESCHRÄGTEN ECKEN DER STANGENHALTERUNG MÜSSEN WIE GEZEIGT ZUR RÜCKSEITE DES SOCKELS HIN WEISEN.

LAS ESQUINAS RECORTADAS DEL SOPORTE DEL POSTE NECESITAN ESTAR ORIENTADAS HACIA LA PARTE POSTERIOR DE LA BASE COMO SE MUESTRA.

AVERTISSEMENT !
WARNING!
¡ADVERTENCIA!



Il est obligatoire de s'y prendre à deux pour cette procédure. SUIVEZ CET AVERTISSEMENT SOUS PEINE D'ENCOURIR DES BLESSURES GRAVES ET/OU DES DÉGÂTS MATÉRIELS.

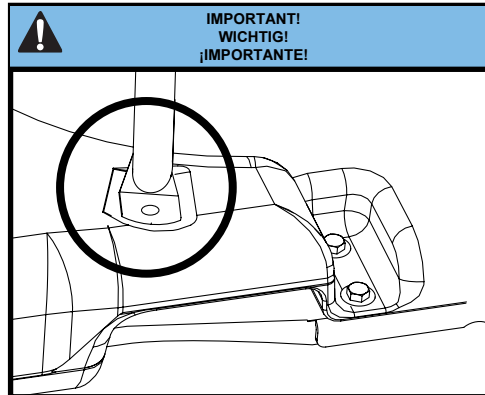
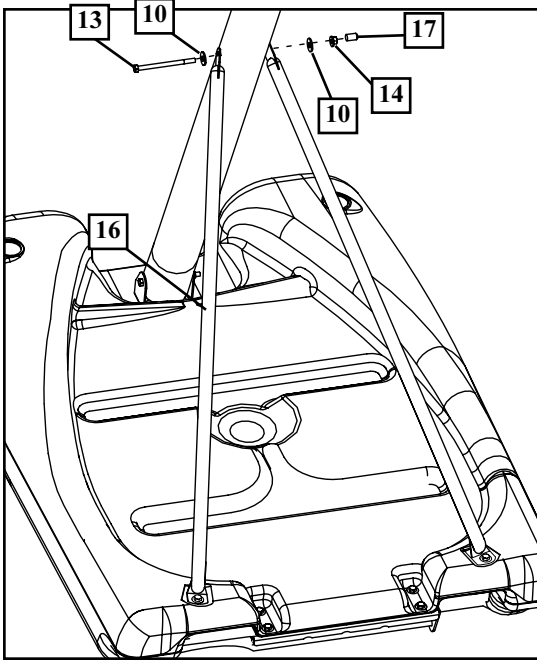
Dieses Schritt muss von zwei Personen ausgeführt werden. EIN MISSACHTEN DIESER WARNUNG KANN ZU SCHWEREN VERLETZUNGEN UND/ODER SACHSCHÄDEN FÜHREN.

Se requieren dos personas para realizar este procedimiento. SI NO SE OBSERVA ESTA ADVERTENCIA SE PODRÍA OCASIONAR UNA lesión GRAVE Y/O DAÑOS A LA PROPIEDAD.

3. Fixez les contrefiches du réservoir (16) sur le poteau, de la façon illustrée. L'écrou doit être serré jusqu'à ce qu'il affleure avec le rebord extérieur des contre-écrous. Coiffez l'extrémité dénudée du boulon avec un capuchon, de la façon illustrée.

Die Tankverstreben (16) wie gezeigt an der Stange befestigen. Die Mutter muss so weit angezogen werden, bis sie bündig mit der Außenkante der Gegenmutter abschließt. Die Kappe (17) wie gezeigt auf das freiliegende Ende der Schraube aufsetzen.

Fije los puntales del tanque (16) al poste como se muestra. La tuerca se debe apretar hasta que quede al ras del borde exterior de las contratuercas. Coloque la tapa (17) sobre el extremo expuesto del perno como se muestra.

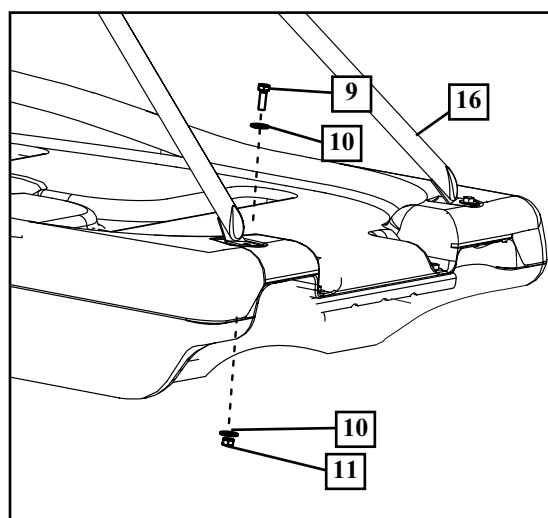
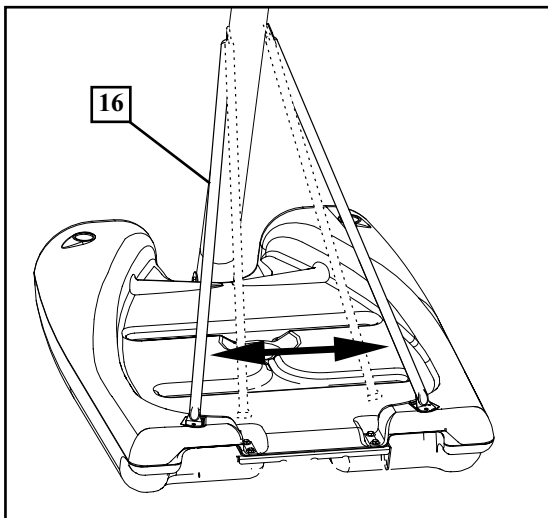


	AVERTISSEMENT ! WARNING! ¡ADVERTENCIA!	
<p>Il est obligatoire de s'y prendre à deux pour cette procédure. SUIVEZ CET AVERTISSEMENT SOUS PEINE D'ENCOURIR DES BLESSURES GRAVES ET/OU DES DÉGÂTS MATÉRIELS.</p> <p>Dieses Schritt muss von zwei Personen ausgeführt werden. EIN MISSACHTEN DIESER WARNUNG KANN ZU SCHWEREN VERLETZUNGEN UND/ODER SACHSCHÄDEN FÜHREN.</p> <p>Se requieren dos personas para realizar este procedimiento. SI NO SE OBSERVA ESTA ADVERTENCIA SE PODRÍA OCASIONAR UNA lesión GRAVE Y/O DAÑOS A LA PROPIEDAD.</p>		

4. Ramenez les extrémités non fixées des contrefiches du réservoir (16) vers l'extérieur sur les trous de fixation du réservoir, de la façon illustrée. Fixez les extrémités des contrefiches (16) sur le réservoir, de la façon illustrée. Répétez la manœuvre pour l'autre côté.

Die ungesicherten Enden der Tankverstreben (16) wie gezeigt nach außen zu den Befestigungslöchern im Tank drehen. Die Enden der Tankverstreben (16) wie gezeigt am Tank befestigen. Das gleiche Verfahren auf der anderen Seite durchführen.

Haga girar los extremos no asegurados de los puntales del tanque (16) hacia fuera hasta los orificios de montaje del tanque como se muestra. Fije los extremos de los puntales del tanque (16) en el tanque como se muestra. Repita el procedimiento en el lado opuesto.

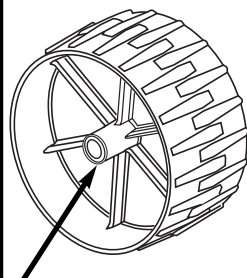


5. Insérez l'axe (5) dans le support des roues (4). Fixez les roues (6) sur l'axe au moyen d'écrous capuchons (7). Frappez délicatement sur les écrous capuchons avec le marteau ou le maillet pour les fixer sur l'axe.

Die Achsenstange (5) wie gezeigt durch die Radhalterung (4) stecken. Die Räder (6) mit den Druckmuttern (7) an der Achse befestigen. Die Druckmuttern mit einem Hammer oder Gummihammer vorsichtig auf die Achse aufklopfen.

Introduzca el eje (5) a través del soporte de la rueda (4). Fije las ruedas (6) al eje usando las tuercas dentadas (7). Cuidadosamente introduzca las tuercas dentadas en el eje usando un martillo regular o uno de caucho

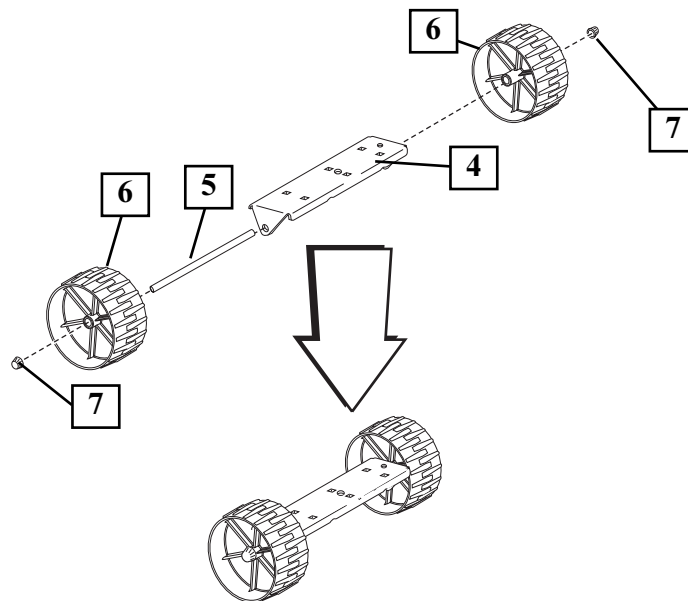
IMPORTANT!:



LE CÔTÉ DE LA ROUE DOTÉ DE L'AXE EN PLASTIQUE LONG DOIT ÊTRE ORIENTÉ VERS LE SUPPORT DES ROUES.

DIE RADSEITE MIT DER LÄNGEREN PLASTIKACHSE MUSS AUF DIE RADHALTERUNG WEISEN.

EL LADO DE LA RUEDA QUE TIENE EL EJE DE PLÁSTICO MÁS LARGO NECESITA QUEDAR ORIENTADO HACIA EL SOPORTE DE LA RUEDA.

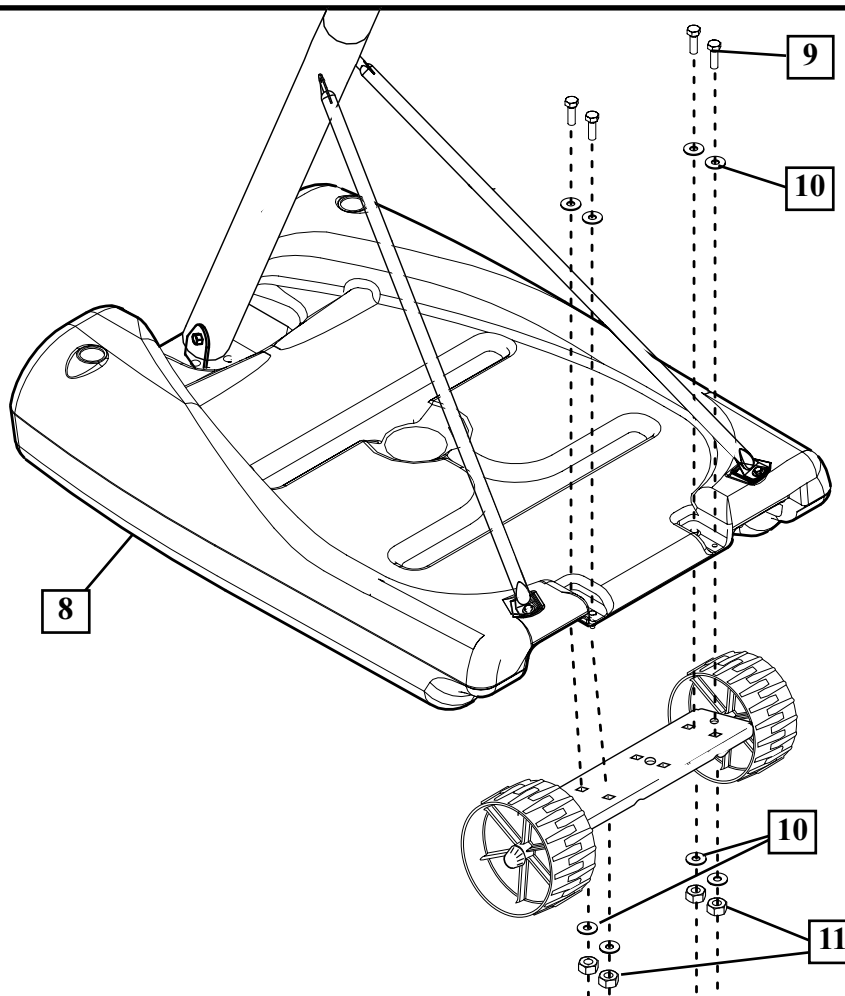


6.

Installez l'ensemble des roues sur le socle (8) à l'aide de boulons (9), de rondelles (10) et d'écrous (11), de la façon illustrée.

Den Rädergruppe wie gezeigt mit Schrauben (9), Unterlegscheiben (10) und Mutter (11) am Sockel (8) befestigen.

Instale el conjunto de la rueda en la base (8) usando pernos (9), arandelas (10) y tuercas (11) como se muestra.

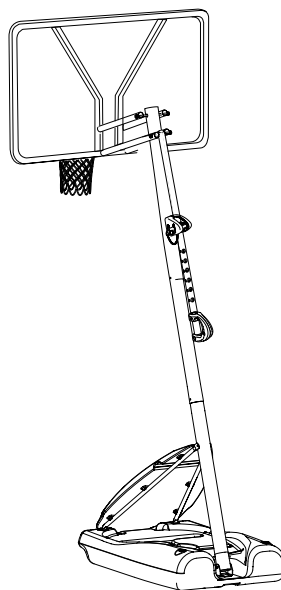


SECTION C : MONTAGE DU DISPOSITIF ÉLEVATEUR ET DU PANNEAU
BAUABSCHNITT C: ZUSAMMENBAU VON VERLÄNGERUNGSVORRICHTUNG UND KORBWAND
SECCIÓN C: MONTAJE DEL ELEVADOR Y EL RESPALDO

Voici à quoi ressemblera votre système lorsque vous en aurez fini avec cette section:

So sieht das System aus, wenn Sie mit diesem Bauabschnitt fertig sind:

Así es como se verá su sistema cuando haya terminado esta sección:

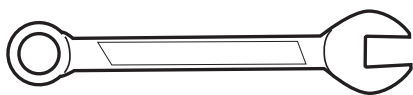


OUTILS REQUIS POUR CETTE SECTION

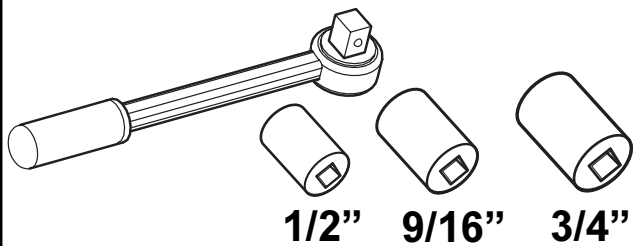
FÜR DIESEN BAUABSCHNITT BENÖTIGTES WERKZEUG

HERRAMIENTAS REQUERIDAS PARA ESTA SECCIÓN

(2) 1/2", (2) 9/16" (2) 3/4"



(2)

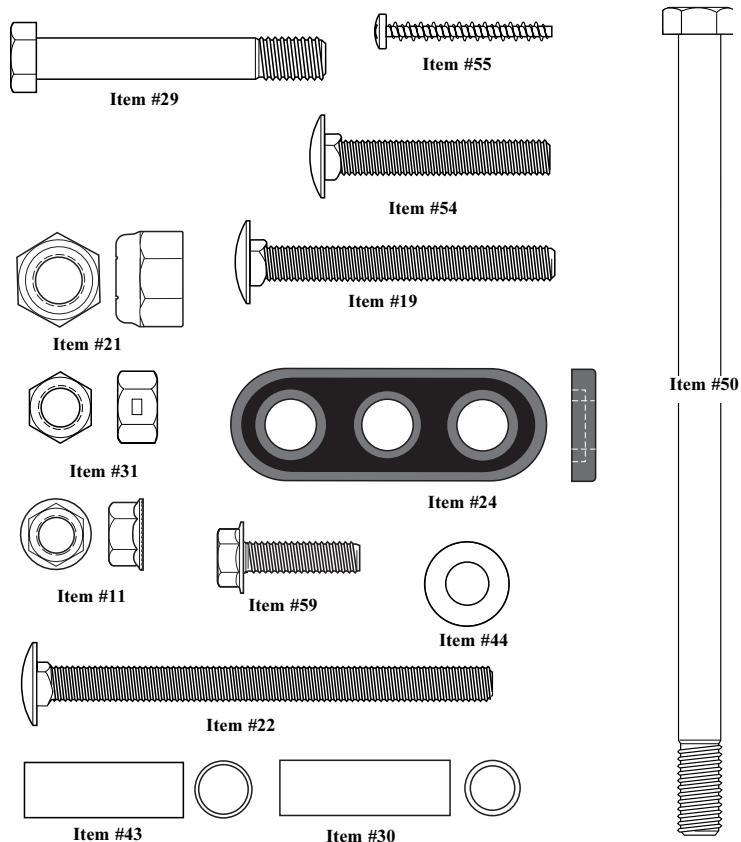


1/2" 9/16" 3/4"

VISSERIE UTILISÉE DANS CETTE SECTION (pas à l'échelle)

IN DIESEM BAUABSCHNITT BENUTZTE BEFESTIGUNGSTEILE (die Abbildungen entsprechen nicht der tatsächlichen Größe)

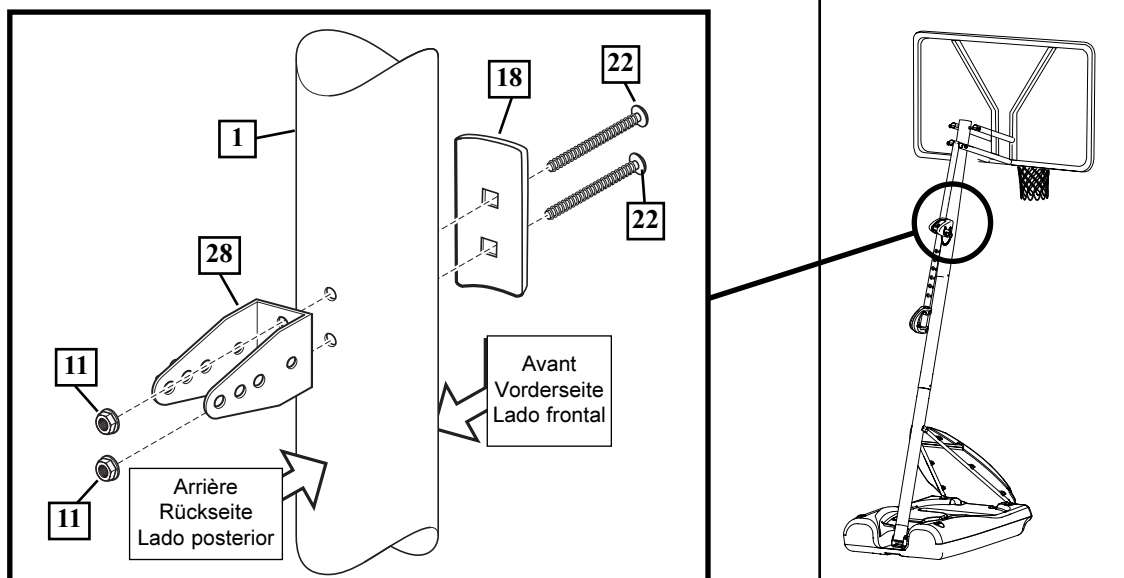
HERRAJE USADO EN ESTA SECCIÓN (no se muestra en su tamaño real)



1. Installez le support du poteau (28) et le support de renforcement (18) à l'aide de boulons ordinaires (22), de la façon illustrée. Serrez à fond les écrous à embase (11).

Die Stangenmontagehalterung (28) und die Verstärkungshalterung (18) wie gezeigt mit Schlossschrauben (22) befestigen. Die Flanschmutter (11) fest anziehen.

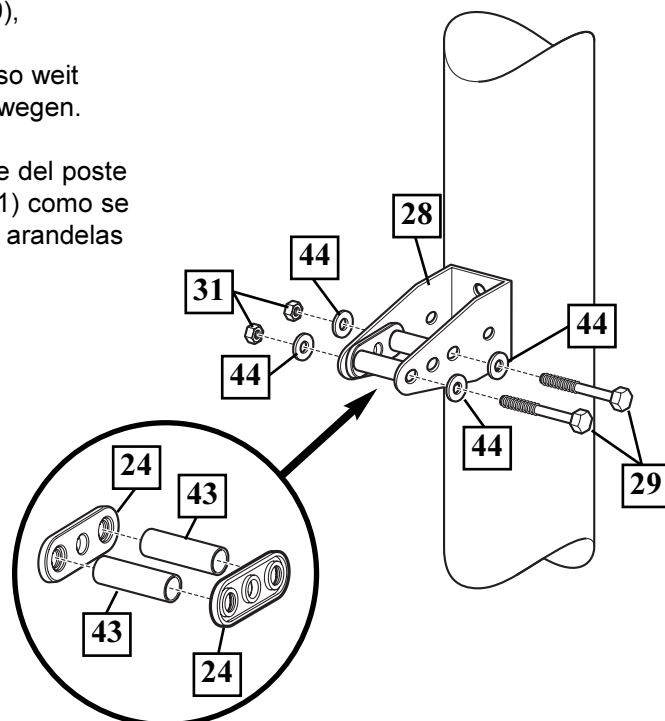
Instale el soporte de montaje del poste (28) y el soporte de refuerzo (18) con los pernos cabeza de carro (22) como se muestra. Apriete completamente las tuercas de brida (11).



2. Fixez les entretoises (24, 43) sur le support de poteau (28) au moyen de boulons (29), de rondelles (44) et d'écrous (31), de la façon illustrée. **IMPORTANT!** Serrez seulement jusqu'à ce que les rondelles (44) cessent de tourner.

Die Abstandsstücke (24, 43) wie gezeigt mit Schrauben (29), Unterlegscheiben (44) und Gegenmutter (31) an der Stangenmontagehalterung (28) befestigen. **WICHTIG!** Nur so weit anziehen, bis sich die Unterlegscheiben (44) nicht mehr bewegen.

Conecte los espaciadores (24, 43) en el soporte de montaje del poste (28) usando pernos (29), arandelas (44) y contratueras (31) como se muestra. ¡**IMPORTANTE!** Apriete lo suficiente para que las arandelas (44) no se muevan.

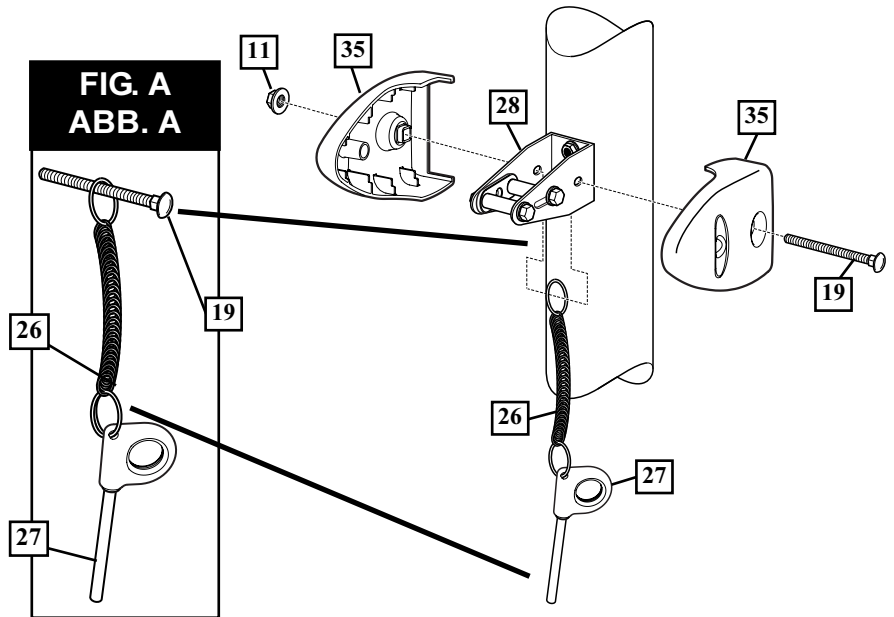


3.

Assemblez le cordon (26) et la goupille de blocage (27) de la façon illustrée. Fixez les couvre-supports (35) sur le support de poteau (28) à l'aide d'un boulon ordinaire (19) et d'un écrou (11), de la façon illustrée.

Die Leine (26) wie gezeigt (Abb. A) am Verriegelungsstift (27) befestigen. Die Abdeckungen (35) mit der Schlossschraube (19) und Mutter (11) wie gezeigt an der Stangenmontagehalterung (28) befestigen.

Monte el acollador (26) en el perno de fijación (27) como se muestra (FIG A). Coloque las cubiertas (35) en el soporte de montaje del poste (28) con un perno cabeza de carro (19) y una tuerca (11) como se muestra.



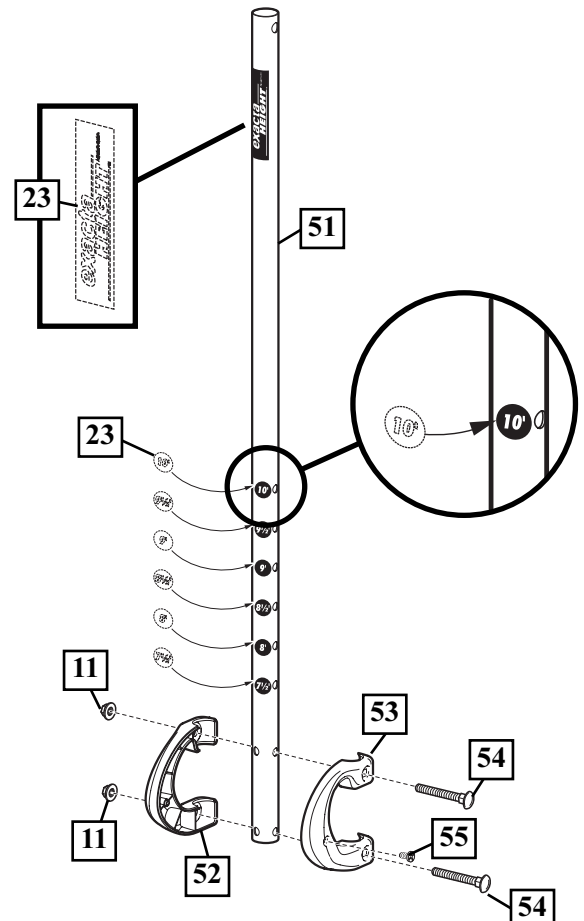
	IMPORTANT!:
	DURANT LE MONTAGE, ENFILEZ LE BOULON ORDINAIRE (19) DANS L'EXTRÉMITÉ DU CORDON (26) AVANT DE LE FAIRE PASSER DANS LE SUPPORT DE POTEAU (28) (VOIR FIGURE A).
	WÄHREND DIESES MONTAGESCHRITTS DAS ENDE DER STIFTLleine (26) ÜBER DIE SCHLOSSSCHRAUBE (19) SCHLINGEN, WENN DIESE DURCH DIE STANGENMONTAGEHALTERUNG (28) GESCHOBEN WIRD (SIEHE ABB. A).
	INSERTE EL EXTREMO DEL ACOLLADOR DEL PASADOR (26) SOBRE EL PERNO CABEZA DE CARRO (19) CONFORME PASA A TRAVÉS DEL SOPORTE DEL MONTAJE DEL POSTE (28) DURANTE ESTE MONTAJE, VEA LA FIG. A.

4.

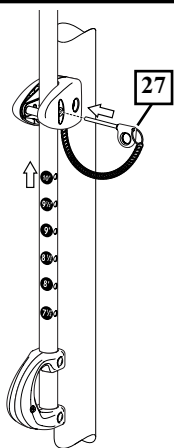
Collez le logo et l'étiquette d'indication de hauteur (23) sur la tige de réglage de la hauteur (51), de la façon illustrée. Fixez les sections de poignée gauche et droite (52, 53) sur la tige de réglage de la hauteur au moyen d'une vis (55), de boulons ordinaires (54) et d'écrous à embase (11), de la façon illustrée.

Das Logo und die Höhenanzeigeaufkleber (23) wie gezeigt an der Einstellstange (51) befestigen. Die Griffteile (52, 53) mit Schraube (55), Schlossschrauben (54) und Flanschmutter (11) wie gezeigt an der Einstellstange befestigen.

Aplique el logotipo y las etiquetas indicadoras de altura (23) en la varilla de ajuste (51) como se muestra. Conecte las piezas de la manija (52, 53) a la varilla de ajuste con un tornillo (55), pernos cabeza de carro (54) y tuercas de brida (11) como se muestra.



IMPORTANT! WICHTIG! ¡IMPORTANTE!
Les étiquettes doivent être appliquées le plus près possible des trous pour empêcher leur endommagement durant le réglage de la hauteur.
Die Anzeigeaufkleber sollten so nahe wie möglich an den Öffnungen angebracht werden, um eine Beschädigung der Aufkleber während der Höhenverstellung zu vermeiden.
Las etiquetas indicadoras se deben aplicar tan cerca de los orificios como sea posible para evitar que sean dañadas durante los ajustes de altura.



5.

Insérez la poignée assemblée dans le support de poteau, de la façon illustrée. Bloquez le poteau en position à 3,05 m (10 pieds) à l'aide de la goupille (27).

Die Griffbaugruppe wie gezeigt durch Stangenmontageeinheit schieben. Den Stangenaufbau mit dem Stift (27) an der 3,05-m- (10-Fuß)-Markierung sichern.

Introduzca el conjunto de la manija a través del conjunto de montaje del poste, como se muestra. Fije el conjunto del poste en su lugar en la marca de los 10' (3.05 m) con el pasador (27).

6.

Placez les supports de panneau (45) entre les contrefiches du panneau, comme illustré.

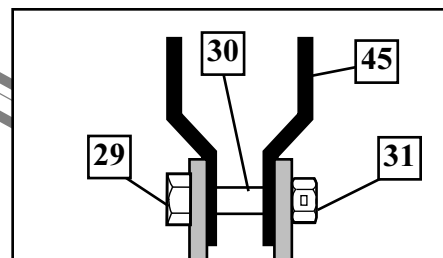
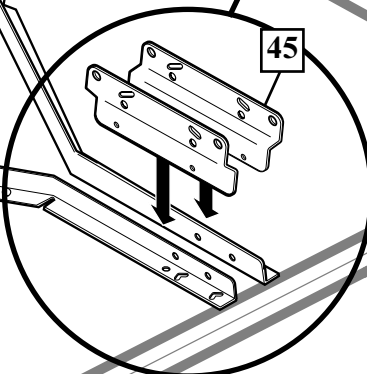
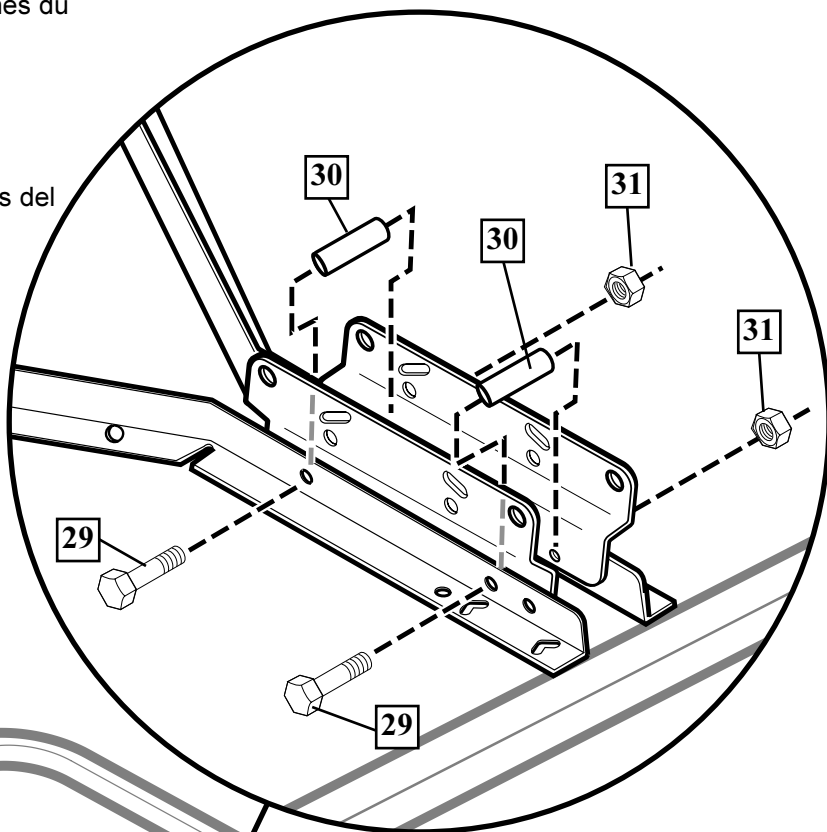
Die Korbwandklammern (45) wie gezeigt zwischen die Korbwandverstreibungen einsetzen.

Coloque los soportes del respaldo (45) entre los puntales del respaldo como se muestra.

Insérez les entretoises (30) entre les supports du panneau (45) et fixez avec les boulons (29) et les écrous (31), comme illustré.

Die Abstandsstücke (30) wie gezeigt zwischen die Korbwandklammern (45) einsetzen und mit Schrauben (29) und Muttern (31) befestigen.

Introduzca los espaciadores (30) entre los soportes del respaldo (45) y asegure con pernos (29) y tuercas (31) como se muestra.



Face du panneau

Korbwandvorderseite

Cara del respaldo



**IMPORTANT!
WICHTIG!
¡IMPORTANTE!**

GARDEZ LES PIÈCES DE FIXATION
DESSERRÉES JUSQU'À LA FIN DE L'ÉTAPE 8.

DIE BEFESTIGUNGSTEILE ERST IM ANSCHLUSS
AN SCHRITT 8 ANZIEHEN.

MANTENGA EL HERRAJE HOLGADO HASTA
DESPUÉS DE QUE SE COMPLETE EL PASO 8.

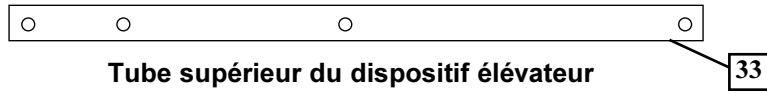
7.

Repérez les tubes du dispositif élévateur (33 et 34).

.Die Verlängerungsrohre (33 u. 34) zurecht legen.

Identifique los tubos elevadores (33 y 34).

Vers le panneau
Zur Korbwand hin
Hacia el tablero

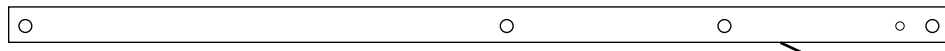


Tube supérieur du dispositif élévateur
Oberes Verlängerungsrohr
Tubo elevador superior

Vers le poteau
Zur Stange hin
Hacia el poste

33

Vers le panneau
Zur Korbwand hin
Hacia el tablero



Tube inférieur du dispositif élévateur
Unteres Verlängerungsrohr
Tubo elevador inferior

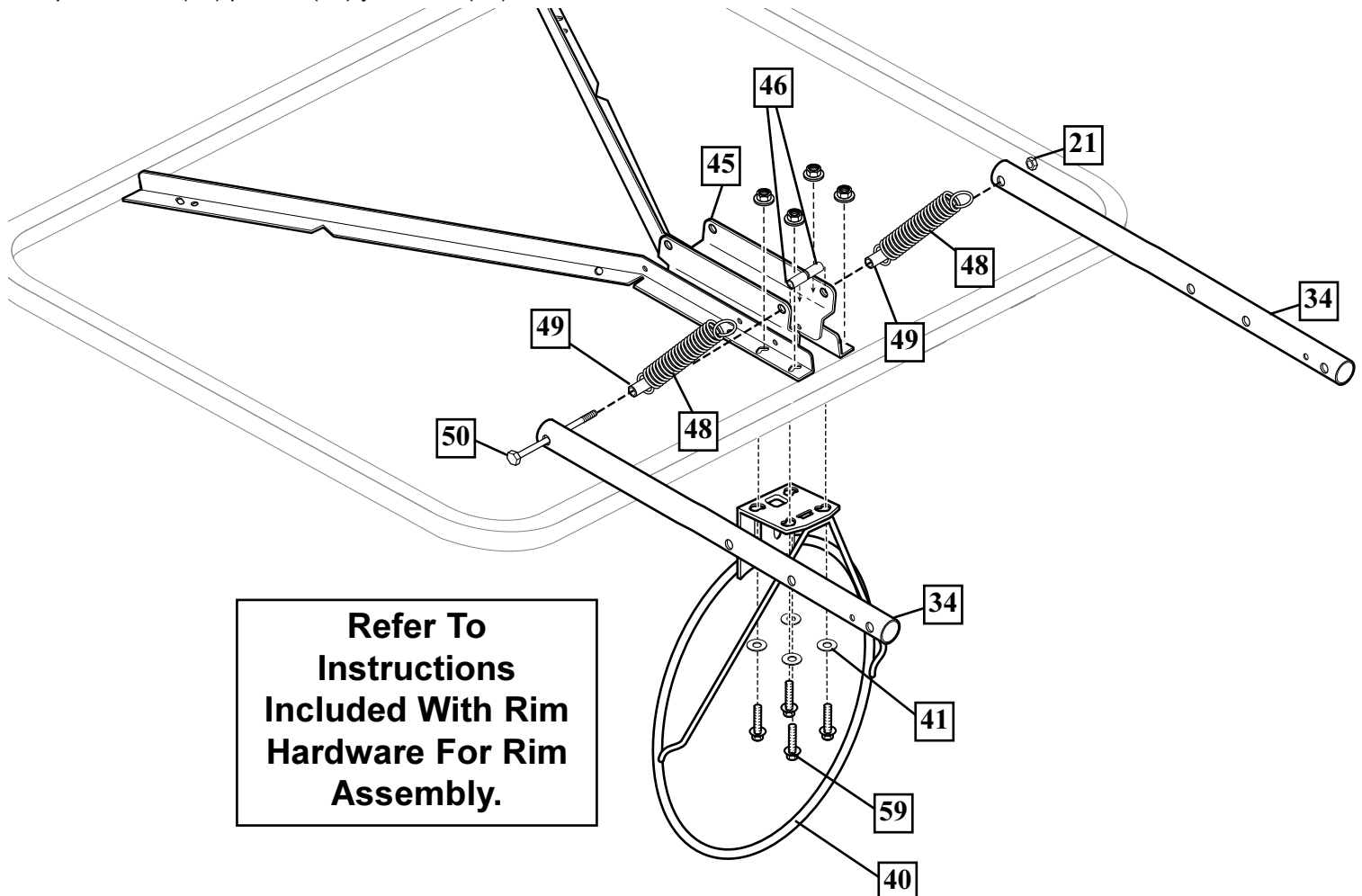
Vers le poteau
Zur Stange hin
Hacia el poste

34

Fixez les tubes inférieurs du dispositif élévateur (34) et le ressort d'équilibrage (48) sur les supports du panneau (45) à l'aide d'entretoises (49), d'un boulon (50) et d'un écrou (21), de la façon illustrée.

Die unteren Verlängerungsrohre (34) und die Gegengewichtsfeder (48) wie gezeigt mit Abstandsstücken (49), Schraube (50) und Mutter (21) an den Korbwandstützklammern (45) befestigen.

Conecte los tubos elevadores inferiores (34) y el resorte de contrapeso (48) en los soportes del respaldo (45) usando espaciadores (49) pernos (50) y tuercas (21) como se muestra.



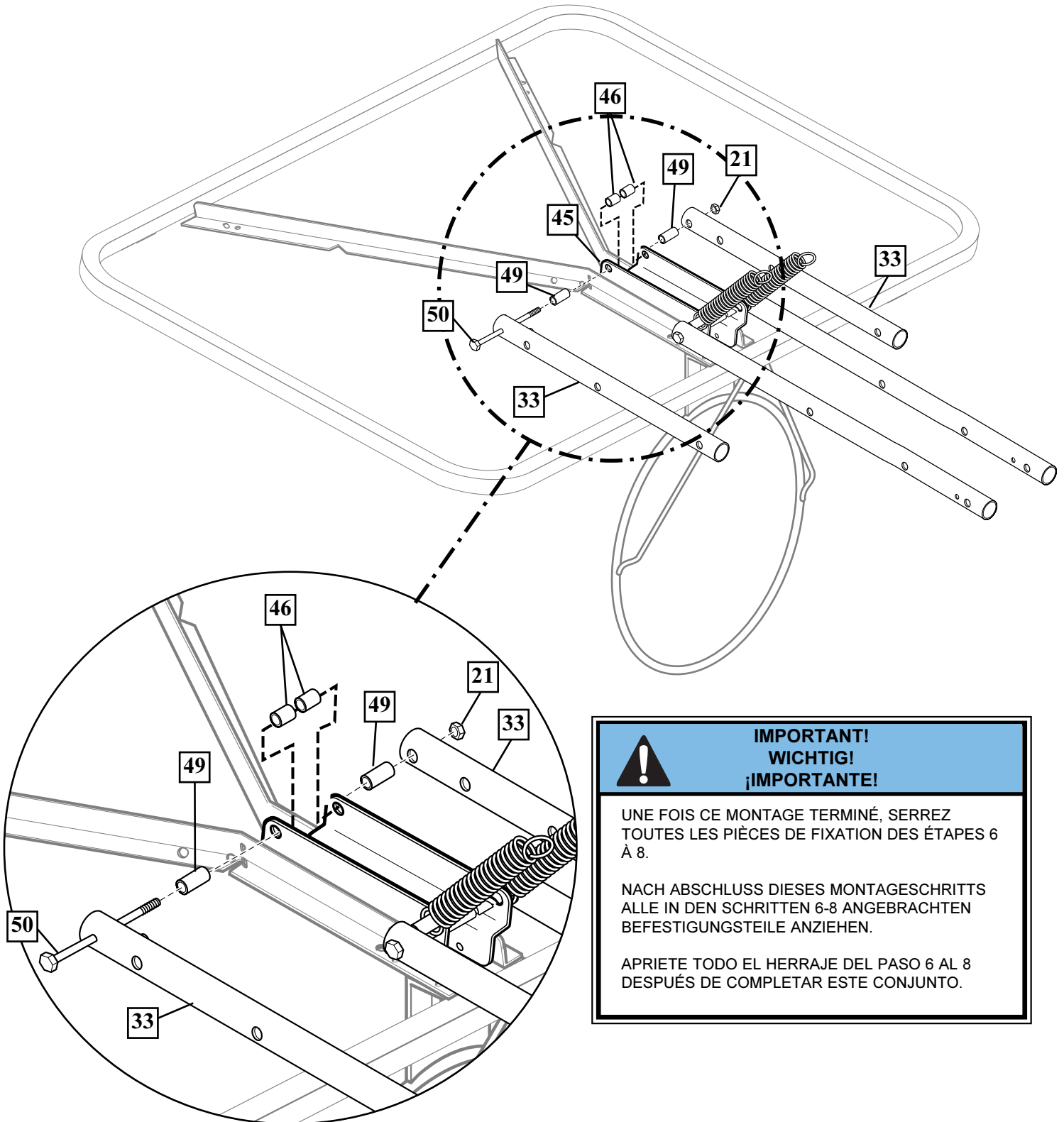
**Refer To
Instructions
Included With Rim
Hardware For Rim
Assembly.**

8.

Fixez les tubes supérieurs du dispositif élévateur (33) sur les supports du panneau (45) à l'aide d'entretoises (46 & 49), d'un boulon (50) et d'un écrou (21), de la façon illustrée.

Die oberen Verlängerungsrohre (33) wie gezeigt mit Abstandsstücken (46 & 49), Schraube (50) und Mutter (21) an den Korbwandstützklammern (45) befestigen.

Conecte los tubos elevadores superiores (33) en los soportes del respaldo (45) usando espaciadores (46 & 49) pernos (50) y tuercas (21) como se muestra.



**IMPORTANT!
WICHTIG!
¡IMPORTANTE!**

UNE FOIS CE MONTAGE TERMINÉ, SERREZ TOUTES LES PIÈCES DE FIXATION DES ÉTAPES 6 À 8.

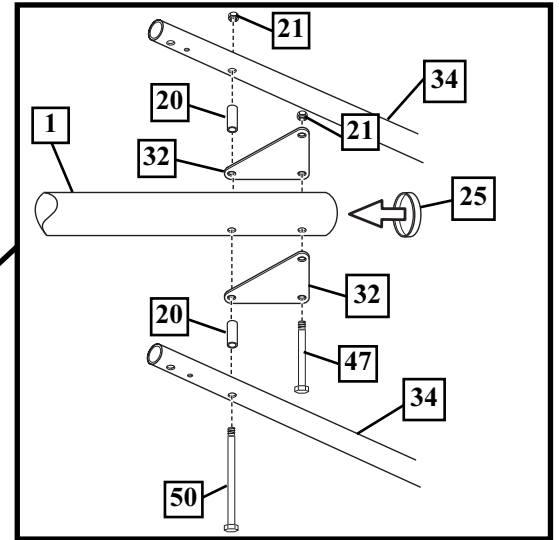
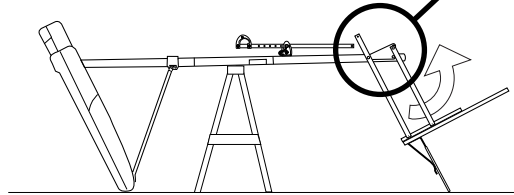
NACH ABSCHLUSS DIESES MONTAGESCHRITTS ALLE IN DEN SCHRITTEN 6-8 ANGEBRACHTEN BEFESTIGUNGSTEILE ANZIEHEN.

APRIETE TODO EL HERRAJE DEL PASO 6 AL 8 DESPUÉS DE COMPLETAR ESTE CONJUNTO.

9. Déposez le poteau sur un banc de sciage. Installez le panneau sur la section de poteau supérieure (1), de la façon illustrée. Posez le capuchon du poteau (25). **REMARQUE :** Il est recommandé de s'y prendre à deux pour cette manœuvre. Soyez prudent, car le dispositif élévateur est lourd.

Die Stange auf einen Sägebock legen. Die Korbwandbaugruppe wie gezeigt am oberen Stangenteil (1) befestigen. Die Stangenkappe (25) aufsetzen. **HINWEIS:** Diese Arbeit sollte von zwei (2) Personen ausgeführt werden. Bitte vorsichtig zu Werke gehen; die Verlängerungsbaugruppe ist sehr schwer.

Apoye el poste en un caballete de aserrar. Conecte el conjunto del respaldo en la sección superior del poste (1) como se muestra. Instale la tapa del poste (25). **NOTA:** Se recomienda que dos personas realicen este paso. Tenga cuidado; el conjunto del elevador es pesado.



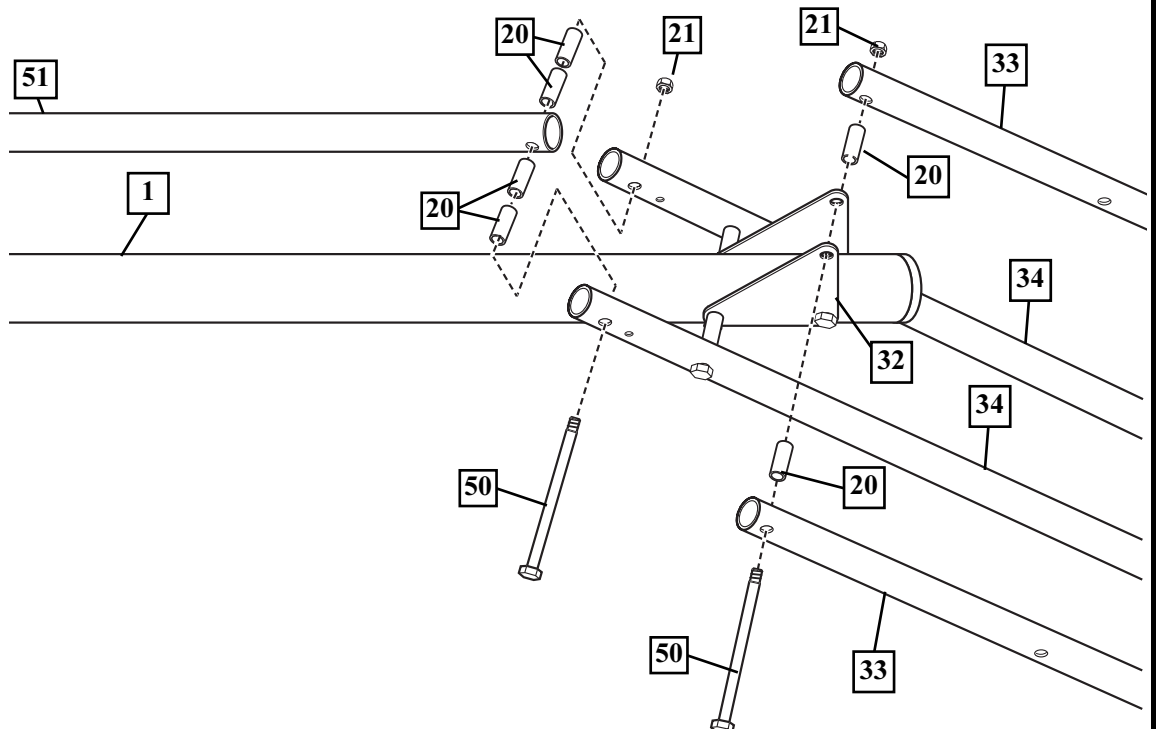
10. Installez les tubes supérieurs du dispositif élévateur (33) sur les plaques triangulaires (32), de la façon illustrée. Installez la poignée sur les tubes inférieurs du dispositif élévateur (34) au moyen d'un boulon (50), d'entretoises (20) et d'un écrou (21), de la façon illustrée.

REMARQUE : Avant de passer à l'étape suivante, réglez l'ensemble à 3,05 m (10 pi).

11. Die oberen Verlängerungsrohre (33) wie gezeigt an den Dreiecksplatten (32) befestigen. Die Griffereinheit wie gezeigt mit Schraube (50), Abstandsstücken (20) und Mutter (21) an den unteren Verlängerungsrohren (34) anbringen. **HINWEIS:** Bevor zum nächsten Schritt übergegangen wird, ist das Einstellsystem auf die 3,05-m- (10-Zoll)-Markierung einzustellen.

11. Instale los tubos elevadores superiores (33) en las placas triangulares (32) como se muestra. Instale el conjunto de la manija en los tubos elevadores inferiores (34) usando el perno (50), espaciadores (20) y la tuerca (21) como se muestra.

NOTA: Antes de continuar con el siguiente paso, coloque el conjunto del sistema ajustable a una altura de 3,05 m (10').



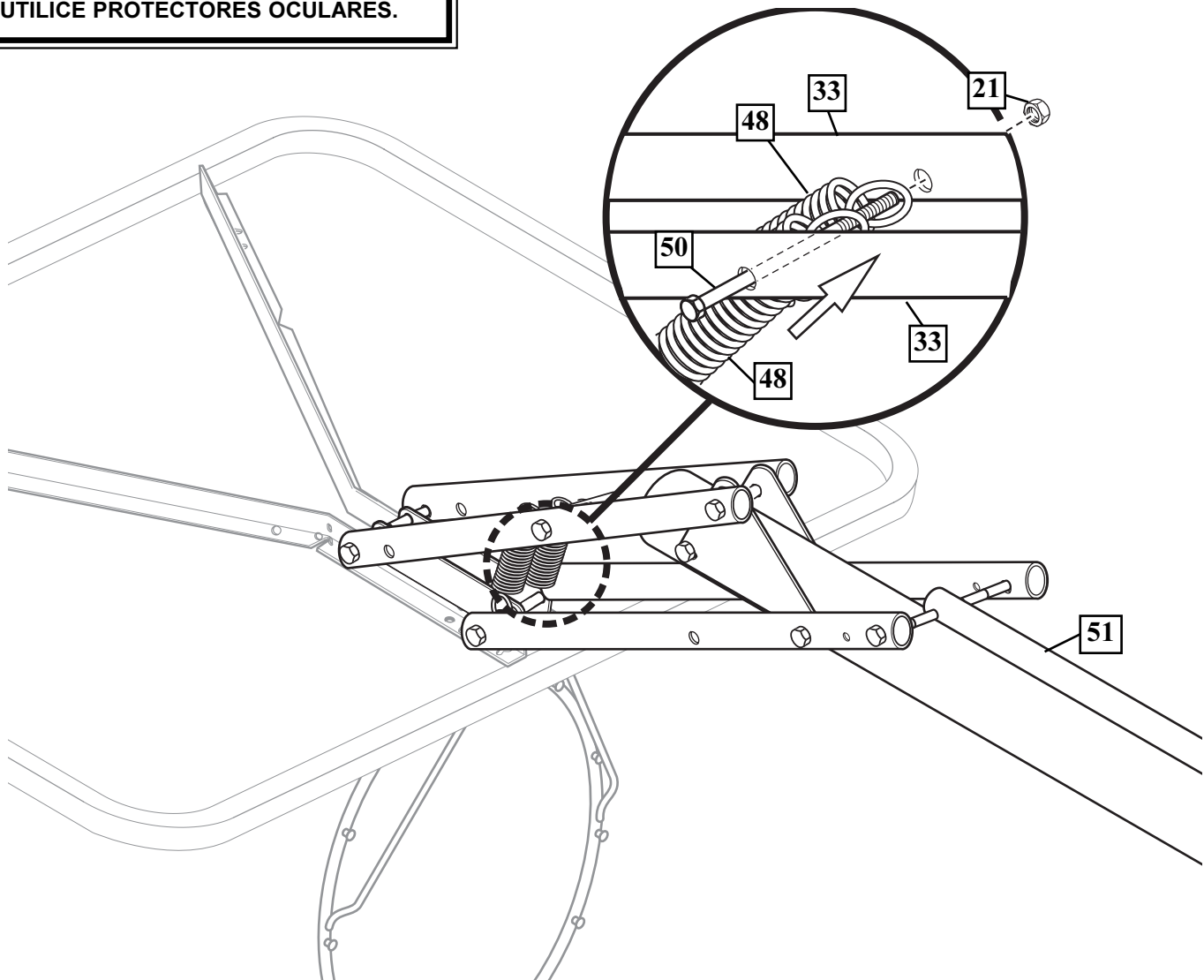
11.

Enfilez le boulon (50) dans le tube supérieur gauche du dispositif élévateur (33), puis tendez le ressort (48) sur le boulon (50). Enfilez le boulon (50) dans le tube supérieur droit du dispositif élévateur (33), puis bloquez le boulon avec l'écrou (21).

Die Schraube (50) durch das linke obere Verlängerungsrohr (33) schieben und die Feder (48) über die Schraube (50) dehnen. Die Schraube (50) durch das rechte obere Verlängerungsrohr (33) schieben und mit der Mutter (21) sichern.

Introduzca el perno (50) a través del tubo elevador superior del lado izquierdo (33), luego estire el resorte (48) hasta el perno (50). Introduzca el perno (50) a través del tubo elevador superior del lado derecho (33) y asegure con la tuerca (21).

	AVERTISSEMENT ! WARNUNG! ¡ADVERTENCIA!	
PROTÉGEZ-VOUS LES YEUX LORSQUE VOUS INSTALLEZ DES RESSORTS.		
BEIM ANBRINGEN DER FEDERN AUGENSCHUTZ TRAGEN!		
CUANDO INSTALE LOS RESORTES UTILICE PROTECTORES OCULARES.		



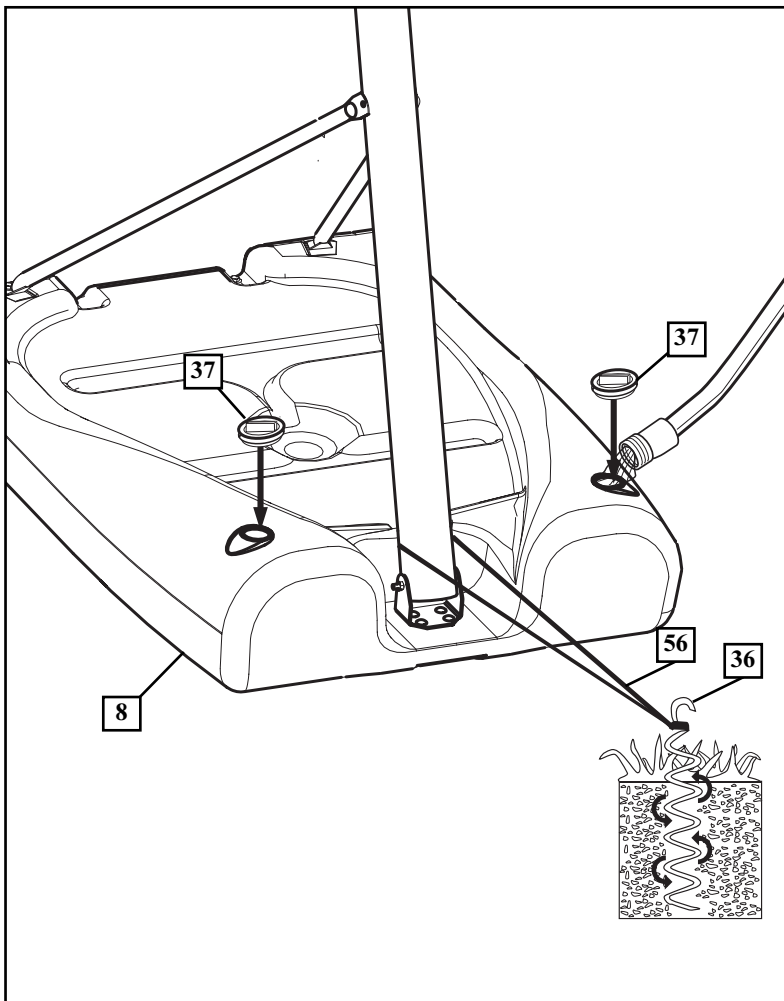
SECTION D : FIXATION DE L'APPAREIL BAUABSCHNITT D: SICHERN DES SYSTEMS SECCIÓN D: FIJACIÓN DEL SISTEMA

1.

Roulez l'ensemble jusqu'à l'aire de jeu prévue. Arrimez l'ensemble au sol à l'aide de la corde (56) et du piquet de fixation (36). Remplissez le socle (8) d'eau (environ 150 litres) et posez les bouchons (37).

Den Aufbau an den gewünschten Spielort rollen. Den Aufbau mit dem Seil (56) und dem Bodenverankerungspfahl (36) im Boden sichern. Den Sockel mit Wasser (ca. 106 l [40 US-Gallonen]) füllen und die Deckel (37) auf die Füllstutzen aufschrauben lassen.

Ruede el conjunto completo al área de juego deseada. Asegure el conjunto en el piso usando la cuerda (56) y la estaca de amarre (36). Llene la base (8) con agua (aproximadamente 40 galones) y conecte a presión las tapas de llenado (37) en su lugar.



**AVERTISSEMENT !
WARNUNG!
¡ADVERTENCIA!**

NE LAISSEZ PAS L'ENSEMBLE SANS SURVEILLANCE LORSQU'IL EST VIDE, CAR IL RISQUE DE BASCULER.

DIE VORRICHTUNG IM LEEREN ZUSTAND NICHT UNBEAUFICHTIGT LASSEN, DA SIE UMKIPPEN KÖNNTE.

NO DEJE EL CONJUNTO DESATENDIDO CUANDO ESTÉ VACÍO, YA QUE SE PUEDE LADEAR.



**AVERTISSEMENT !
WARNUNG!
¡ADVERTENCIA!**



Il est obligatoire de s'y prendre à deux pour cette procédure. SUIVEZ CET AVERTISSEMENT SOUS PEINE D'ENCOURIR DES BLESSURES GRAVES ET/OU DES DÉGÂTS MATÉRIELS.

Dieses Schritt muss von zwei Personen ausgeführt werden. EIN MISSACHTEN DIESER WARNUNG KANN ZU SCHWEREN VERLETZUNGEN UND/ODER SACHSCHÄDEN FÜHREN.

Se requieren dos personas para realizar este procedimiento. SI NO SE OBSERVA ESTA ADVERTENCIA SE PODRÍA OCASIONAR UNA lesión GRAVE Y/O DAÑOS A LA PROPIEDAD.

**ATTENTION !
VORSICHT!
¡PRECAUCIÓN!**

AJOUTEZ 7,6 LITRES (2 GALLONS) D'ANTIGEL NON TOXIQUE EN PRÉVISION DE TEMPÉRATURES EN DESSOUS DE 0.

DEN TANK MIT 7,6 L (2 GAL) EINES UNGIFTIGEN GEFRIERSCHUTZMITTELS FÜLLEN, UM IN KLIMAZONEN MIT FROSTTEMPERATUREN EIN GEFRIEREN ZU VERHINDERN.

AÑADA 7.6 LITROS (DOS GALONES) DE ANTICONGELANTE NO TÓXICO SI EL CLIMA ALCANZA TEMPERATURAS DE CONGELAMIENTO.

SECTION E : INSTALLATION DU PROTECTEUR AVANT

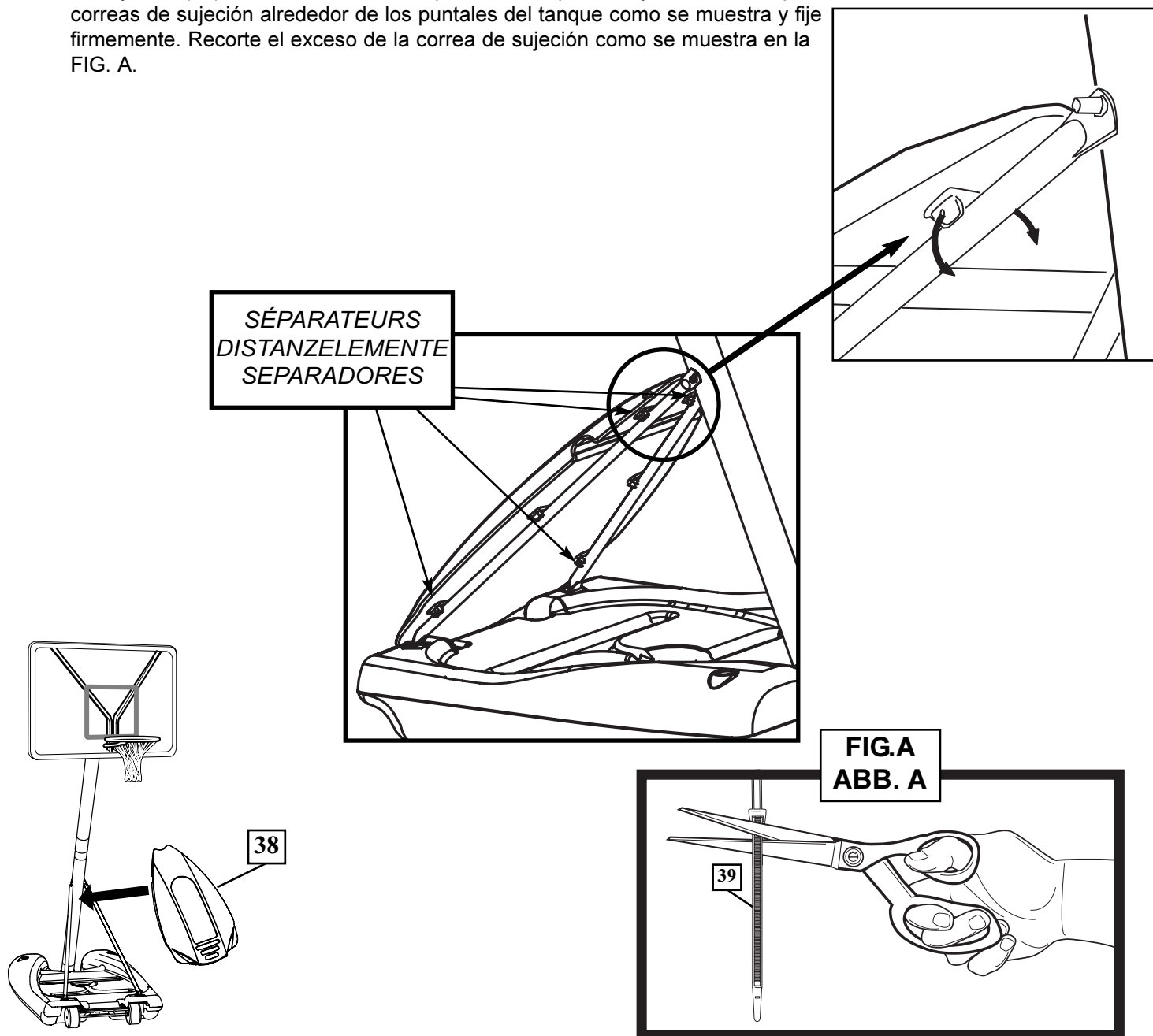
BAUABSCHNITT E: FRONTABDECKUNG ANBRINGEN

SECCIÓN E: INSTALE LA CUBIERTA FRONTAL

1. Installez le protecteur avant (38) en alignant les séparateurs le long des contrefiches de réservoir. Insérez une attache (39) dans les deux séparateurs supérieurs et les deux séparateurs inférieurs. Fixez solidement les attaches autour des contrefiches de réservoir, de la façon illustrée. Coupez les sections d'attache qui dépassent, de la façon illustrée dans la figure A.

Zum Anbringen der Frontabdeckung (38) die Distanzelemente entlang den Tankverstreben ausrichten. Einen Halteriemen (39) durch die beiden oberen und die beiden unteren Distanzelemente schieben. Die Halteriemen wie gezeigt um die Tankverstreben wickeln und sichern. Die unbenötigte Länge der Halteriemen abschneiden (siehe Abb. A).

Instale la cubierta frontal (38) alineando los separadores a lo largo de los puntales del tanque. Introduzca una correa de sujeción (39) a través de los dos separadores superiores y de los dos separadores inferiores. Envuelva las correas de sujeción alrededor de los puntales del tanque como se muestra y fije firmemente. Recorte el exceso de la correa de sujeción como se muestra en la FIG. A.

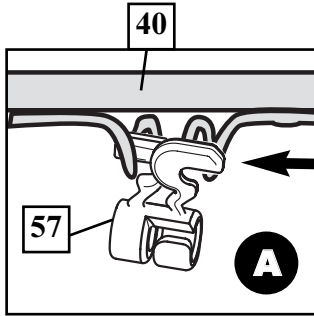
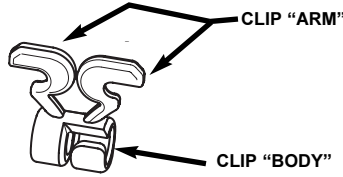


SECTION F : INSTALLATION DU FILET/BAUABSCHNITT F: ANBRINGUNG DES NETZES
SECCIÓN F: INSTALACIÓN DE LA RED

1. Installez les pinces.

Netzhalteklammern (Clips) anbringen.

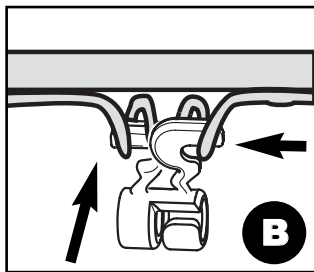
Instale los sujetadores.



Insérez un " bras " de la pince dans l'éperon, comme illustré. Tournez légèrement le corps de la pince de sorte que le second bras glisse par-dessus le premier, comme illustré. Poussez dans le sens des flèches.

Einen Arm des Clips wie gezeigt in die Spirale einsetzen. Den Hauptteil des Clips etwas drehen, sodass der zweite Arm wie gezeigt oben über den ersten Arm geschoben werden kann. In die durch die Pfeile angezeigte Richtung schieben.

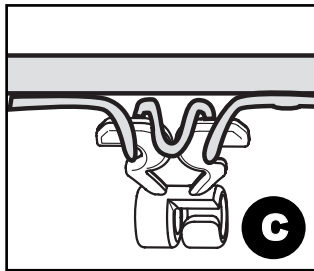
Introduzca un "brazo" del sujetador en el accionador como se muestra. Tuerza ligeramente el "cuerpo" del sujetador de manera que el segundo "brazo" se deslice sobre el primer "brazo" como se muestra. Empuje hacia la dirección que indican las flechas.



Rétractez le second " bras " dans l'éperon, comme illustré.

Den zweiten Arm wie gezeigt nach innen drücken und in die Spirale stecken.

Empuje el segundo "brazo" hacia atrás y hacia el accionador como se muestra.



Tournez légèrement le corps de la pince une nouvelle fois pour en étaler les bras. Les bras doivent être à plat et se toucher bord à bord, comme illustré, sans se chevaucher.

Den Hauptteil des Clips noch einmal leicht drehen, um die Arme des Clips zu spreizen. Die Arme des Clips müssen flach liegen und sich wie gezeigt an den Kanten berühren, ohne einander zu überlappen.

Otra vez tuerza ligeramente el "cuerpo" del sujetador para abrir los "brazos" del sujetador. Los "brazos" del sujetador deben quedar planos y tocándose de borde a borde, sin traslaparse, como se muestra.

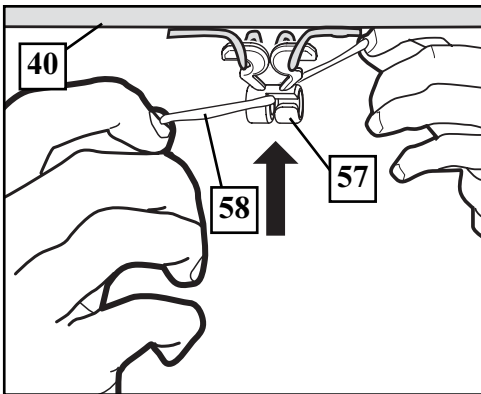
**AVERTISSEMENT !
 WARNUNG!
 ¡ADVERTENCIA!**

L'UTILISATION DE CE PRODUIT SANS L'INSTALLATION CORRECTE DES SMART CLIPS® OU EN L'ABSENCE DE CERTAINES SMART CLIPS® EXPOSE LES JOUEURS À DES BLESSURES. VEILLEZ À SUIVRE SCRUPULEUSEMENT CES INSTRUCTIONS.

EIN GEBRAUCH DIESES PRODUKTS OHNE ORDNUNGSGEMÄSS ANGEBRACHTE SMART CLIPS® BZW. MIT FEHLENDEN SMART CLIPS® KANN VERLETZUNGEN NACH SICH ZIEHEN. DIE ANLEITUNG GENAU BEFOLGEN.

EL USO DE ESTE PRODUCTO SIN LA INSTALACIÓN ADECUADA DE LOS SUJETADORES SMART CLIP®, O LA FALTA DE ELLOS PUEDE DAR COMO RESULTADO DAÑOS CORPORALES. ASEGÚRESE DE SEGUIR CUIDADOSAMENTE LAS INSTRUCCIONES.

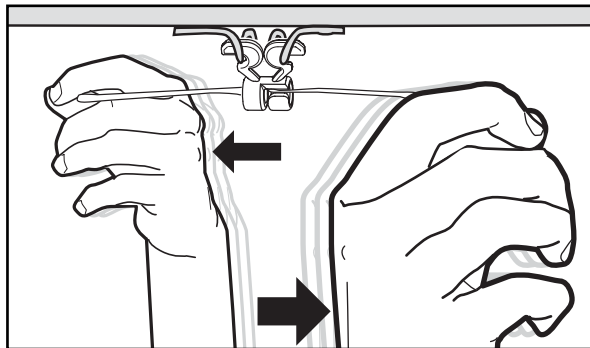
2. INSTALLATION DU FILET/ANBRINGUNG DES NETZES/INSTALACIÓN DE LA RED



Insérez le filet dans la base de la pince, comme illustré.

Das Netz wie gezeigt unten in den Clip stecken.

Introduzca la red en la parte inferior del sujetador como se muestra.

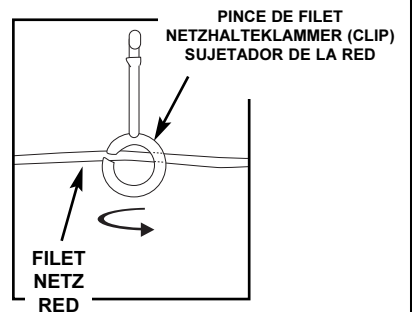
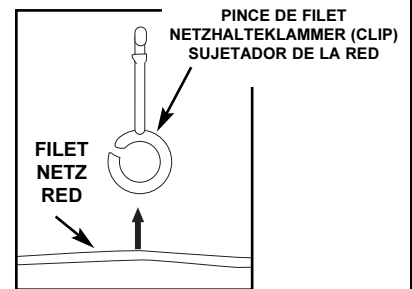


Tournez le filet jusqu'à ce qu'il s'enclenche en position. Le filet doit être centré dans la pince.

Das Netz drehen, bis es einschnappt. Das Netz muss im Clip zentriert werden.

Tuerza la red hasta que quede conectada en su posición. La red debe quedar centrada a través del sujetador.

VUE DE CÔTÉ
 SEITENANSICHT
 VISTA LATERAL



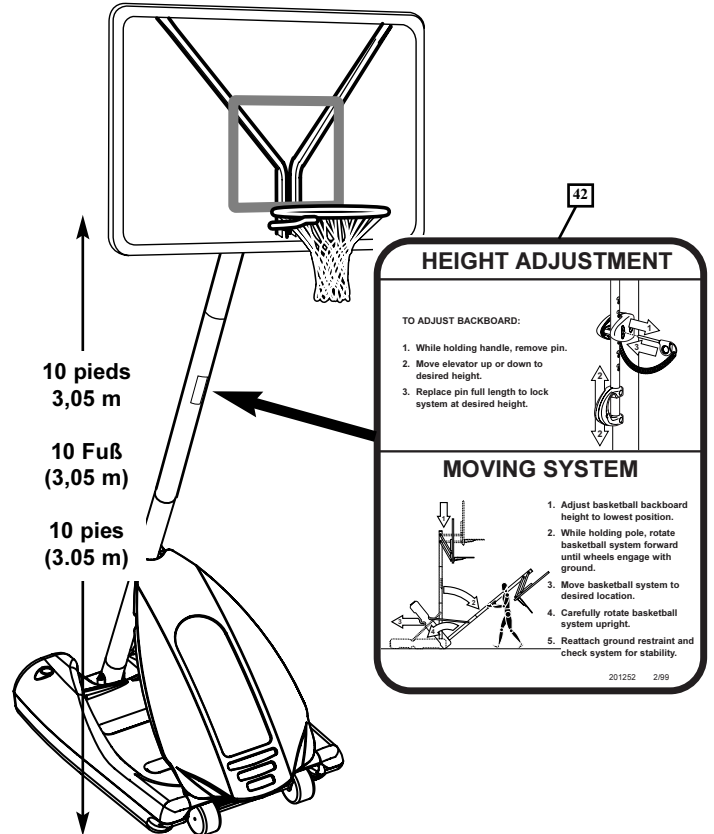
SECTION G : POSE DE L'ÉTIQUETTE DE HAUTEUR ET DE DÉPLACEMENT
BAUABSCHNITT G: ANBRINGUNG DES HÖHENEINSTELL- UND TRANSPORTAUFKLEBERS
SECCIÓN G: APLICACIÓN DE LA ETIQUETA DE ALTURA Y MOVIMIENTO

1.

Posez l'étiquette de réglage de la hauteur et de déplacement (42) sur l'avant du poteau, à un endroit bien visible.

Den Höheneinstell- und Transportaufkleber (42) gut sichtbar an der Vorderseite der Stange anbringen.

Aplique la etiqueta de ajuste de la altura y movimiento (42) en la parte frontal del poste, en donde quede claramente visible.



SECTION H : RÉGLAGE DE LA HAUTEUR
BAUABSCHNITT H: HÖHENVERSTELLUNG
SECCIÓN H: AJUSTE DE LA ALTURA

1.

- A. Tenez la poignée et retirez la goupille (27).
- B. Montez ou abaissez le dispositif élévateur jusqu'à la hauteur voulue.
- C. Remettez la goupille (27) en place pour verrouiller l'appareil à la hauteur voulue.

- A. Bei festgehaltenem Griff den Stift (27) herausziehen.
- B. Die Verlängerungsvorrichtung bis zur gewünschten Höhe nach oben oder unten verschieben.
- C. Den Stift (27) zum Verriegeln des Systems auf der gewünschten Höhe ganz hineinschieben.

- A. Mientras sujeta la manija, quite el pasador (27).
- B. Mueva el elevador hacia arriba o hacia abajo a la altura deseada.
- C. Vuelva a colocar el pasador (27) a toda su longitud para fijar el sistema a la altura deseada.

