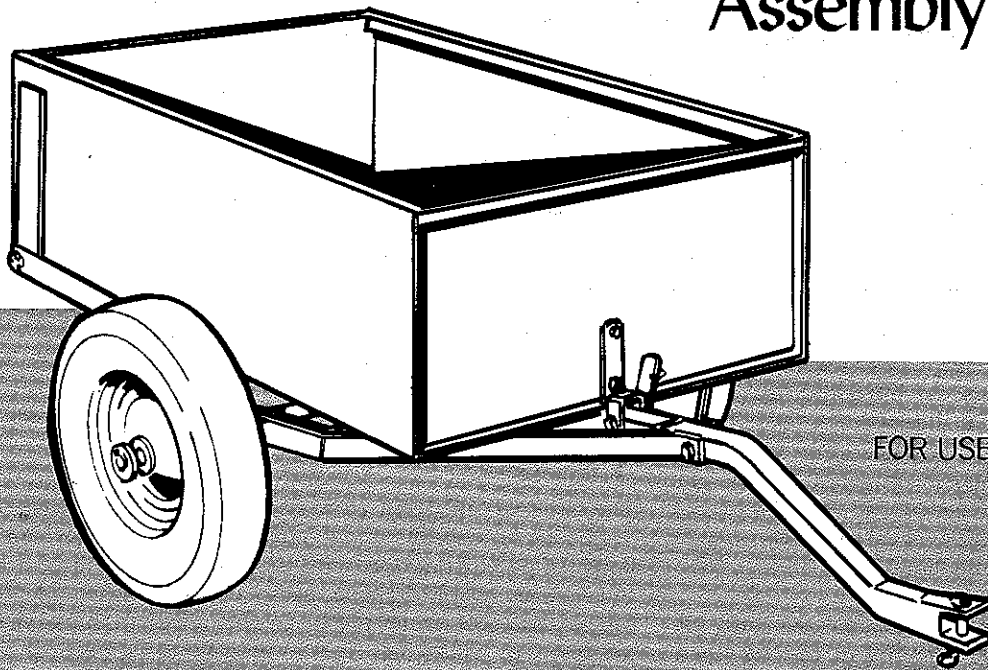


Mfr's. No. 236

# HOMELITE®

## Assembly Instructions & Parts List



FOR USE WITH ALL RIDING UNITS

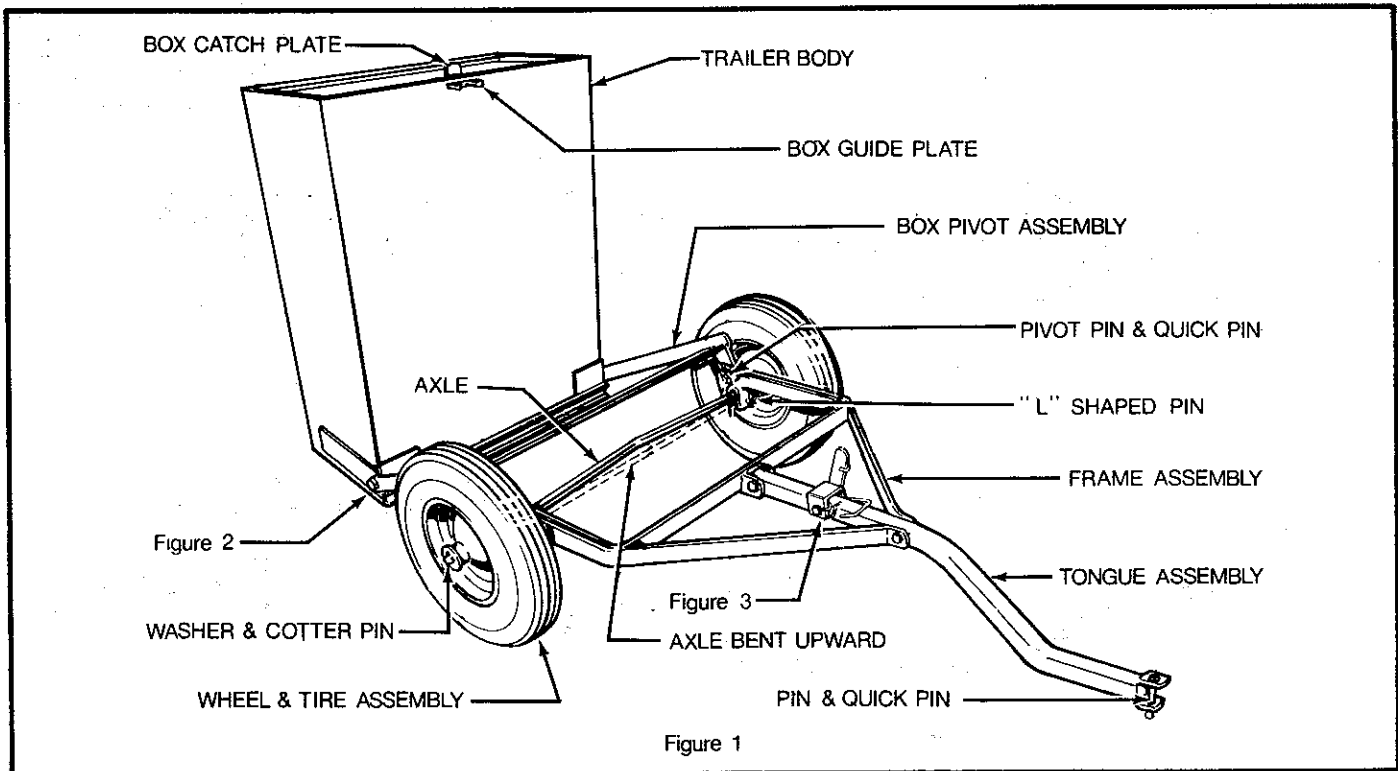
### DUMP CART No. LM-16002-36

## Assembly

1. Mount the two wheel and tire assemblies on the axle and secure with two  $3/4$ " washers and two  $3/16 \times 1-1/2$ " cotter pins.
2. Mount the frame assembly to the axle assembly and secure with two  $5/16 \times 4-5/8$  L-shaped pins and two quick pins. Be sure the axle curve is away from the ground.
3. Bolt the tongue to the frame assembly using two  $3/8-16 \times 2-1/4$ " capscrews, lockwashers, and hex nuts.
4. Insert the box pivot assembly into the rear of the frame assembly and secure with two  $1/2 \times 1-1/2$ " pins and two quick pins.
5. Place the dump body on its tailgate to attach the pivot box assembly. Place the two  $3/8$ " long bushings, one in each arm of the pivot box assembly. Insert a  $3/8-16 \times 1$ " capscrew with a  $3/8$ " flatwasher through the trailer body sides and through each bushing and secure with  $3/8$ " lockwasher and hex nut on each side. (Figure 2.)

Be sure that the front end of the tongue is lower than the end that is bolted to the frame.

Part No. 24744-4  
Supersedes 24744



6. Place the box catch clevis over the tongue and insert a 3/8-16 x 2-3/4" capscrew through the clevis and tongue from the side opposite the box catch handle. Place the box catch spring over the end of the capscrew and secure with a 3/8" washer and hex, locknut. The box catch clevis should move freely, do not overtighten. The larger hook of the box catch spring is then placed over the tongue and the smaller one against the box catch handle to hold the catch toward the rear of the dump cart.
7. Place the box guide plate inside the dump box with the grooved end extending through the slot in the box floor. Position the box catch plate on the outside with the up-turned end toward the box bottom and secure with two 3/8-16 x 1" capscrew, lockwashers and hex nuts.

## Lubrication

The dump cart has two standard sized grease fittings, one on each wheel, which require occasional lubrication with general purpose automotive grease. Before lubricating, wipe each grease fitting to prevent grit and dirt from being

carried into the bearings with the new grease. Lubricate all pivot points and the box catch clevis with SAE-10 oil frequently.

## Tires

The tires of the dump cart are inflated for shipping with pressure in excess of the normal amount. For normal lawn use deflate the tires until a pressure of 6-8 lbs. P.S.I. is reached. When carrying heavy loads, or when used with the vacuum collector, it will be necessary to increase this pressure to 14-16 lbs. P.S.I. to prevent damage to tires or wheels.

## Operation

The dump cart is designed to easily haul 1,000 lbs. of any type of material and has a 7 cubic ft. capacity struck and 10 cubic ft. heaped. The box can easily be unlatched without detaching from the tractor and can be turned completely upside down by tilting up and back to empty all contents without shoveling. The tailgate is detachable.

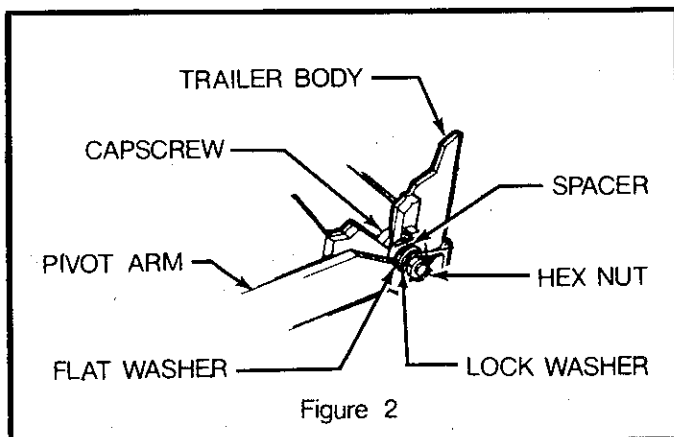


Figure 2

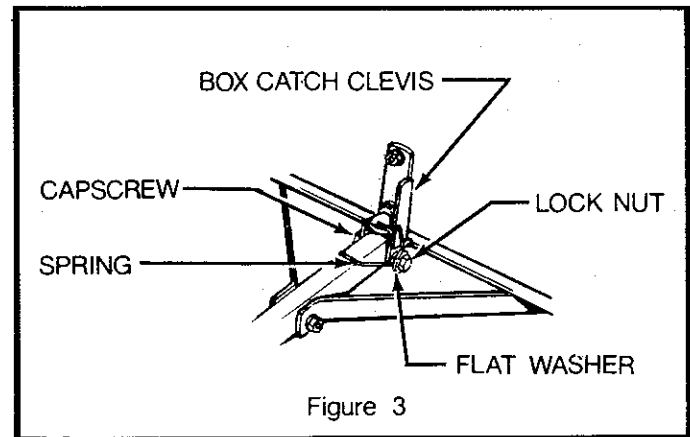
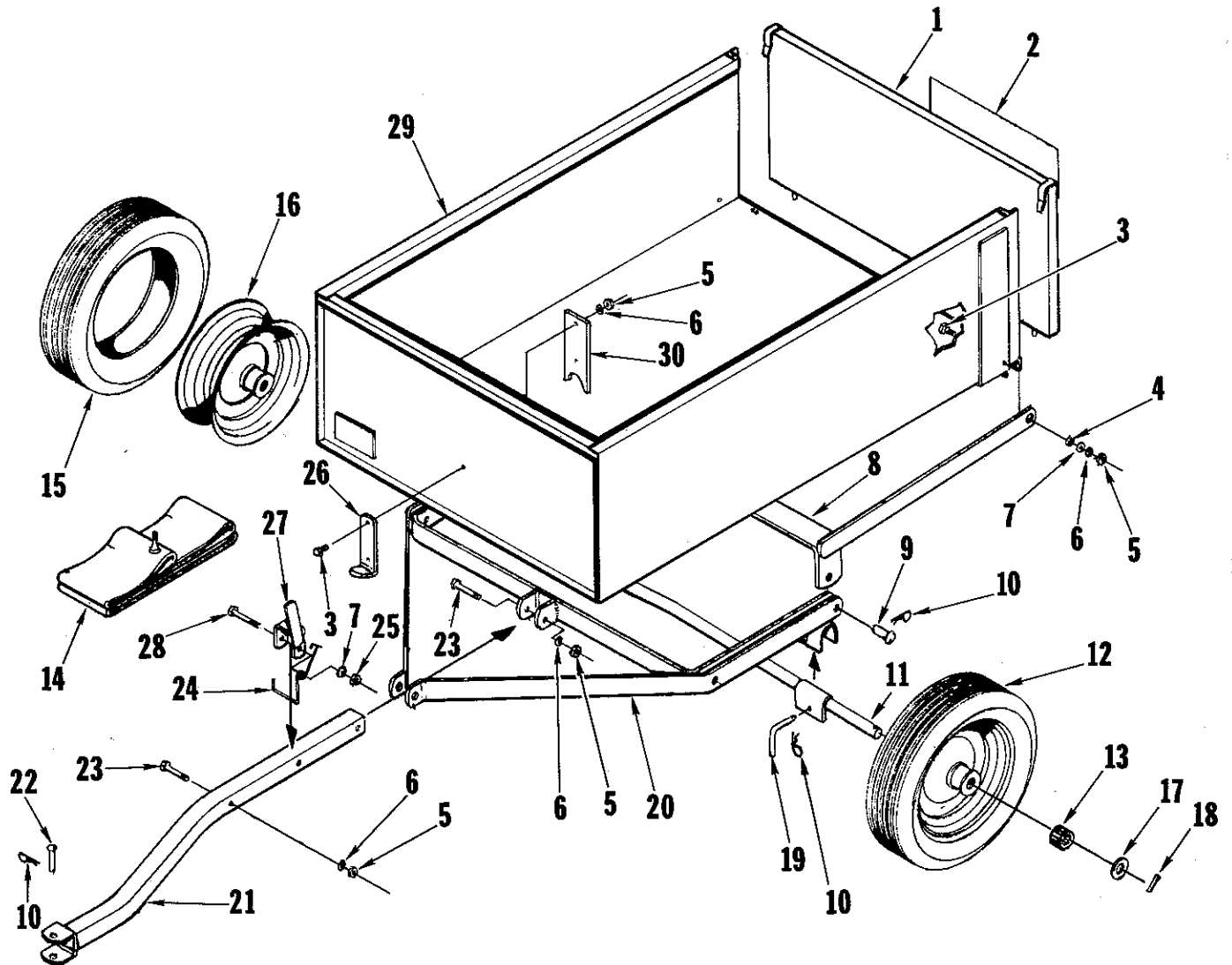


Figure 3

# DUMP CART



No.	Description	Part No.	Qty.	No.	Description	Part No.	Qty.
1	GATE-end	LM-01020-03	1	17	WASHER-flat, 3/4	LM-09184-32	2
2	FILM-Homelite	LM-01744-49	1	18	PIN-cotter, 3/16 x 1-1/2	LM-09184-59	2
3	SCREW-cap, 3/8-16 x 1	LM-09077-31	4	19	PIN	LM-80112-04	2
4	BUSHING	LM-81510-76	2	20	FRAME ASSEMBLY	LM-01020-35	1
5	NUT-hex, 3/8-16	LM-09169-50	6	21	TONGUE ASSEMBLY	LM-01020-37	1
6	WASHER-lock	LM-09169-65	6	22	PIN-inner	LM-01052-49	1
7	WASHER-flat, 3/8	LM-09173-78	3	23	SCREW-cap, 3/8-16 x 2-1/4	LM-09193-62	2
8	PIVOT ASSEMBLY-box	LM-01020-24	1	24	SPRING-torsion	LM-01020-75	1
9	PIN-pivot	LM-01020-04	2	25	NUT-hex lock, 3/8-16	LM-09234-28	1
10	PIN-quick	LM-81610-45	5	26	PLATE-box catch	LM-01020-40	1
11	AXLE ASSEMBLY	LM-01020-27	1	27	CLEVIS ASSEMBLY	LM-01020-51	1
12	WHEEL & TIRE ASSEMBLY	LM-01703-20	2	28	SCREW-cap, 3/8-16 x 2-3/4	LM-09219-73	1
13	Includes: BEARING	LM-01703-18	2	29	BODY-trailer	LM-01020-02	1
14	TUBE	LM-01530-38	2	30	PLATE-box guide	LM-01020-05	1
15	TIRE	LM-01020-52	2		Accessory		
16	WHEEL	LM-01703-19	2		PAINT-blue, 14 oz. spray can	LM-16076-89	1

ALWAYS FURNISH MODEL AND SERIAL NUMBER WHEN ORDERING PARTS.



▲ textron  
DIVISION

PRINTED IN U. S. A.

PORT CHESTER, NEW YORK, U.S.A. 10573

E2375FZ