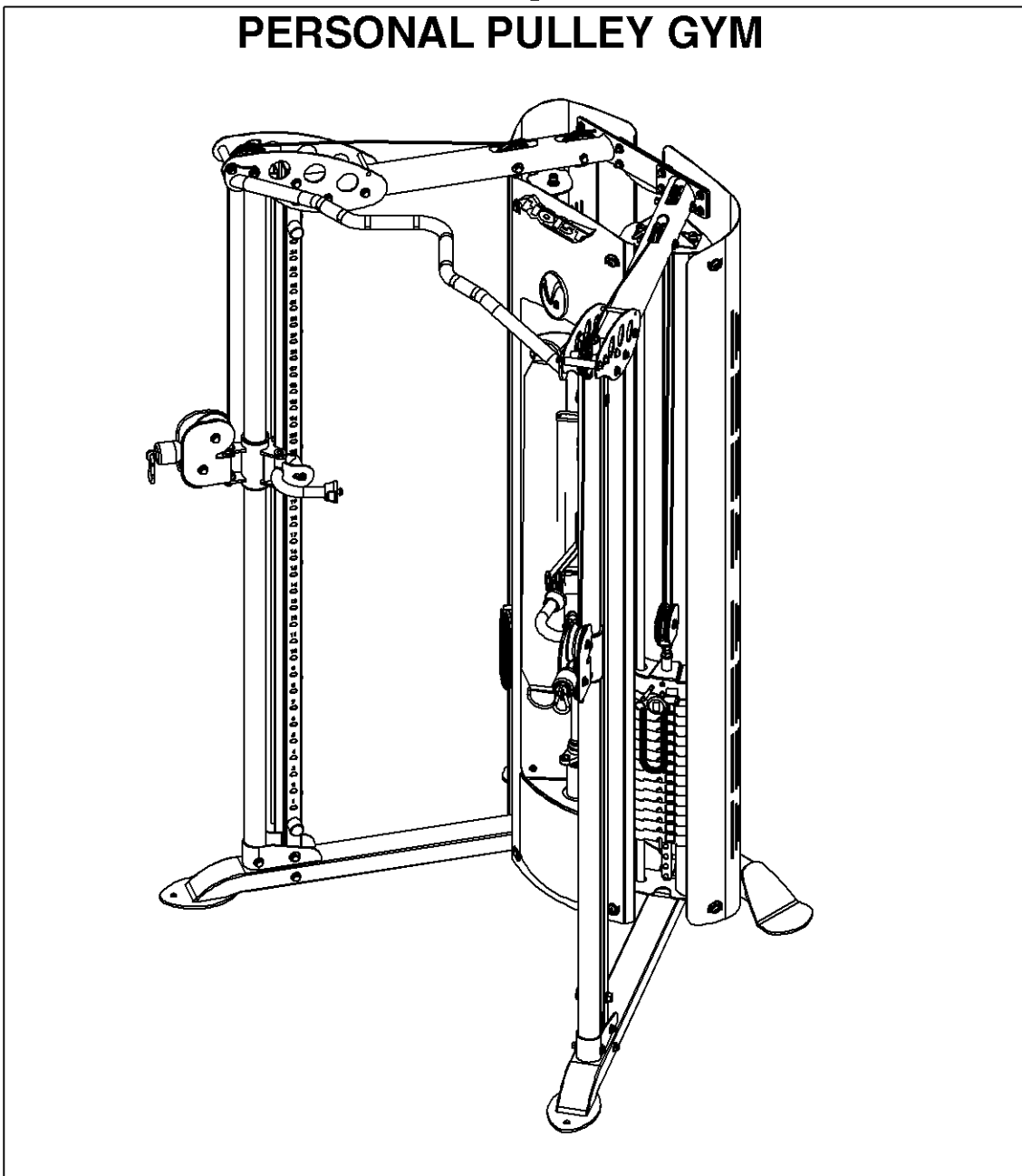


OWNER'S MANUAL



V-6

PERSONAL PULLEY GYM



Note: Both Serial Number and Model Number are Required when Ordering Parts

RECORD SERIAL NUMBER HERE

CATALOG NUMBER

1007 - 004

Customer Service

(800) 548-5438

(858) 578-7676

Fax

(858) 578-9558

OWNER'S MANUAL

CONTENTS

INSTRUCTIONS	02
FRAME ASSEMBLY	04
ACCESSORIES/MISC.....	32
PRE-ASSEMBLY.....	33
DECAL PLACEMENT.....	35
DECAL REFERENCE.....	36
PART LIST.....	39
ABBREVIATIONS.....	42
BOLT SIZING CHART.....	43
WASHER SIZING CHART.....	45
MAINTENANCE SCHEDULE.....	47
GENERAL MAINTENANCE INFORMATION.....	48
WEIGHT TRAINING TIPS.....	49
EXERCISE LOG.....	51
LIMITED WARRANTY.....	52

OWNER'S MANUAL

INSTRUCTIONS

Before beginning assembly please take the time to read instructions thoroughly. Please use the various lists in this manual to make sure that all parts have been included in your shipment. When ordering, use part number and description from the lists. Use only HOIST replacement parts when servicing. Failure to do so will void your warranty and could result in personal injury.

HOIST equipment is designed to provide the smoothest, most effective exercise motion possible. After assembly, you should check all functions to ensure correct operation. If you experience problems, first recheck the assembly instructions to locate any possible errors made during assembly. If you are unable to correct the problem, call your authorized HOIST dealer. Be sure to have your serial number and this manual when calling. When all parts have been accounted for, continue on.

TOOLS REQUIRED

Ratchet Wrench

1/2", 9/16" and 3/4" Sockets

Adjustable Wrench

Rubber Mallet

Tape Measure

Level

Hex Key Wrench Set

2 People Required For Assembly

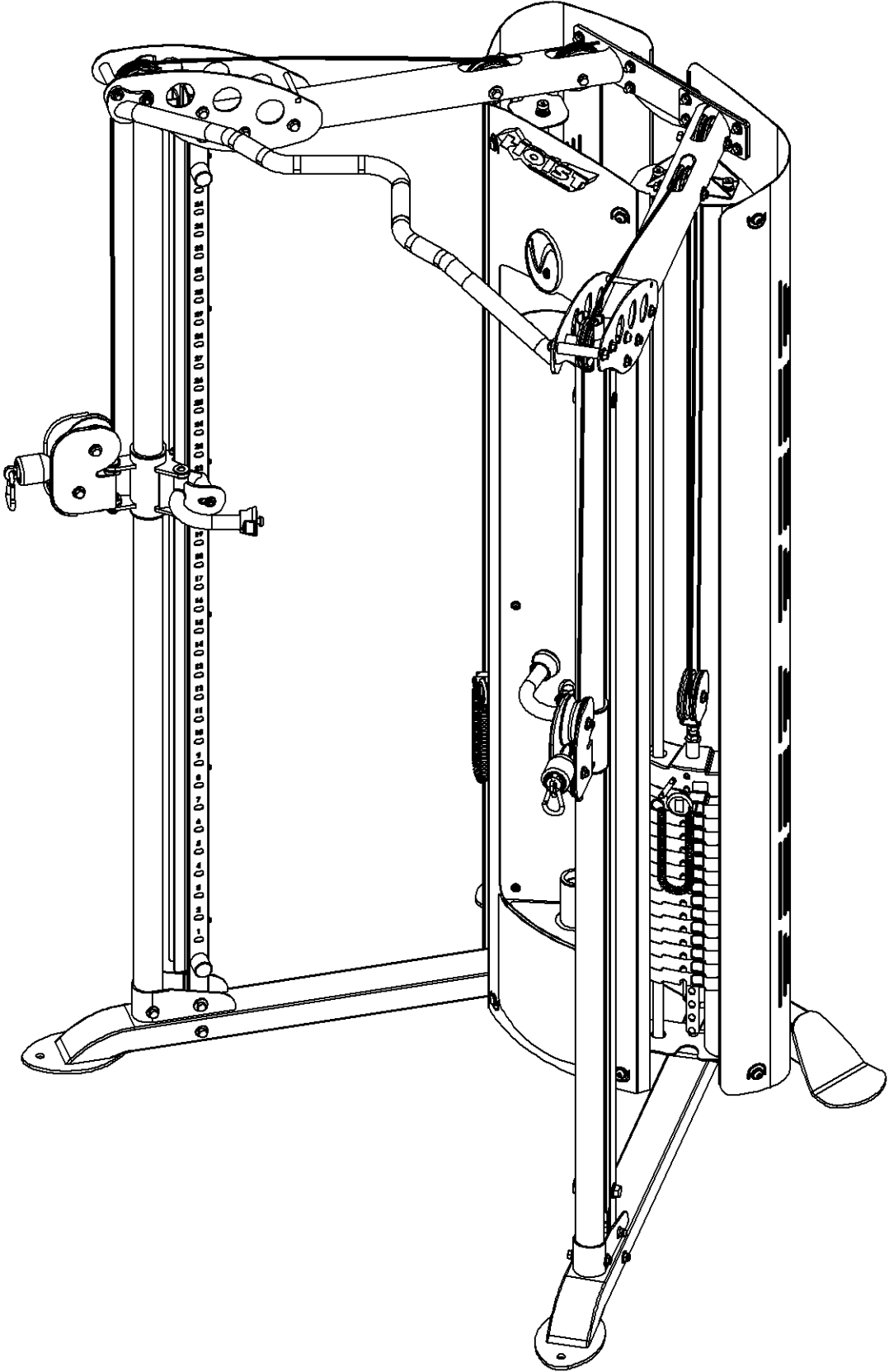
Needle Nose Pliers

OWNER'S MANUAL

THIS PAGE WAS INTENTIONALLY LEFT BLANK

OWNER'S MANUAL

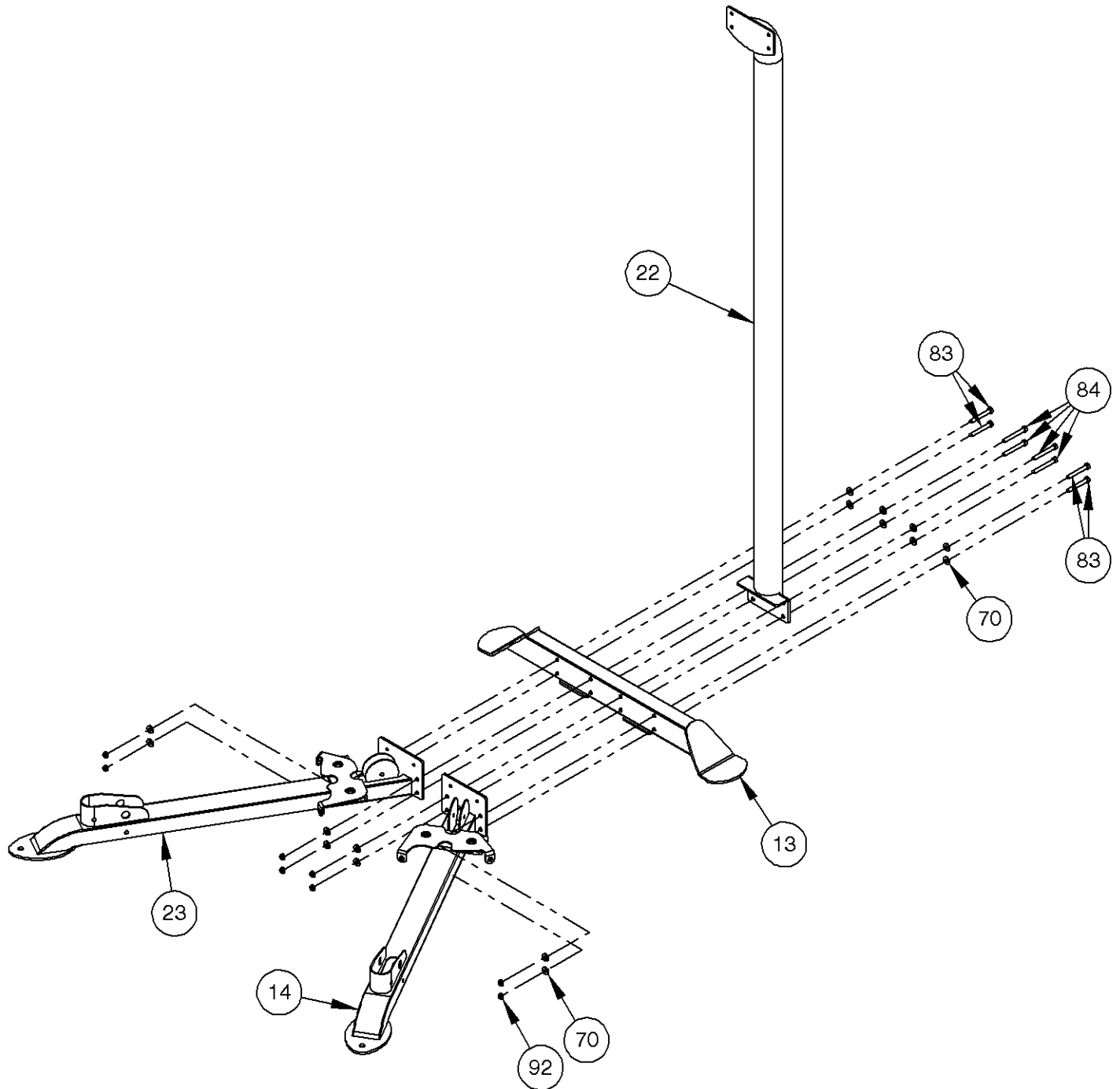
FRAME ASSEMBLY



OWNER'S MANUAL

FRAME ASSEMBLY

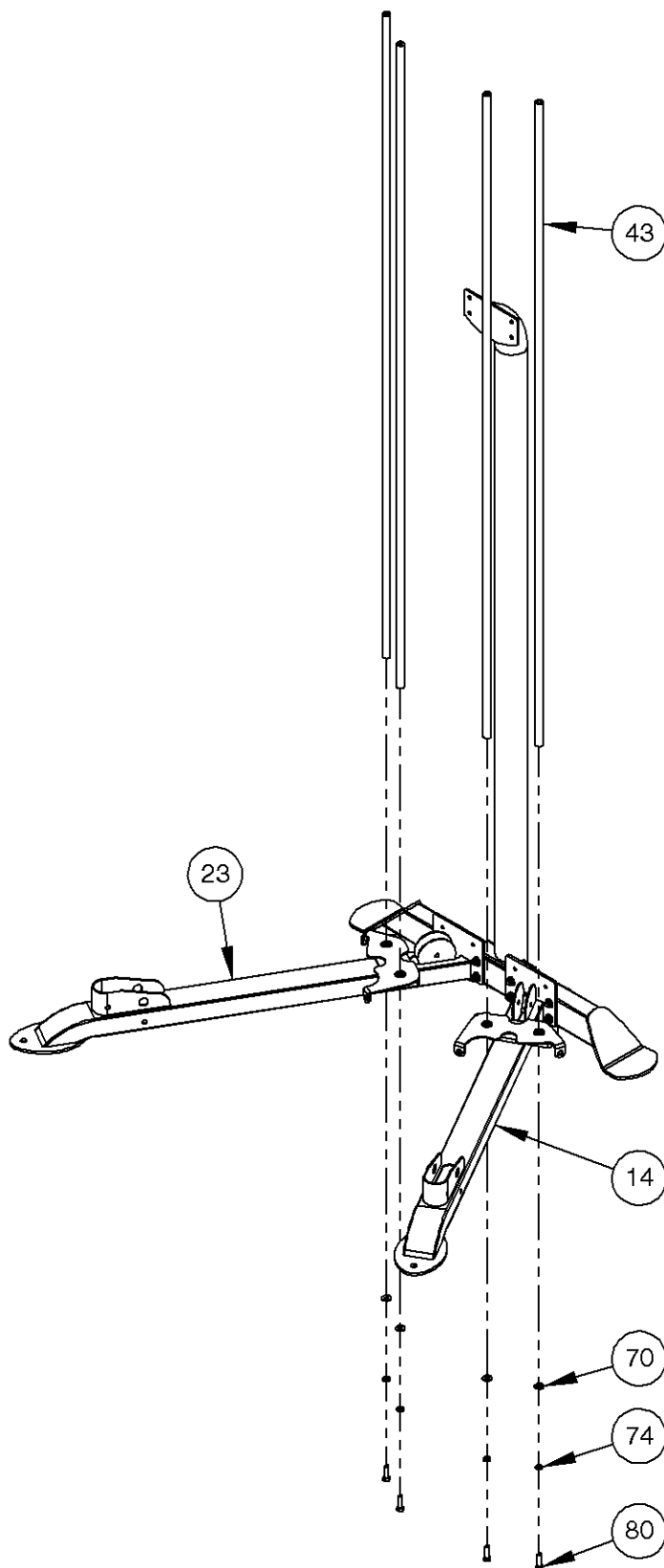
NOTE:
- HAND TIGHTEN HARDWARE.



OWNER'S MANUAL

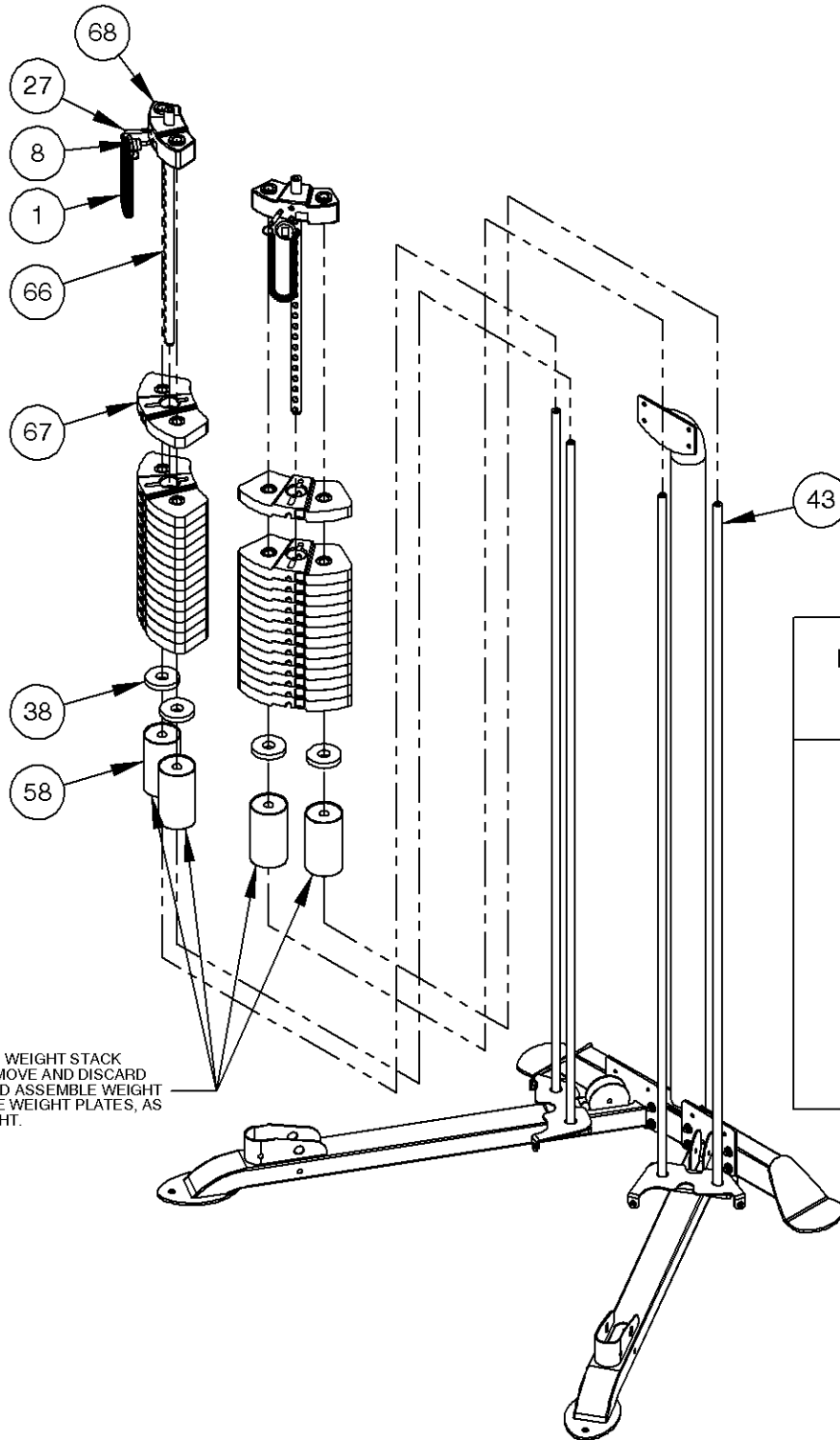
FRAME ASSEMBLY

NOTE:
- WRENCH TIGHTEN HARDWARE.



OWNER'S MANUAL

FRAME ASSEMBLY



IF OPTIONAL 200 LB. WEIGHT STACK IS PURCHASED, REMOVE AND DISCARD ALL ITEM # (58)'S AND ASSEMBLE WEIGHT STACK WITH 5 MORE WEIGHT PLATES, AS SHOWN TO THE RIGHT.

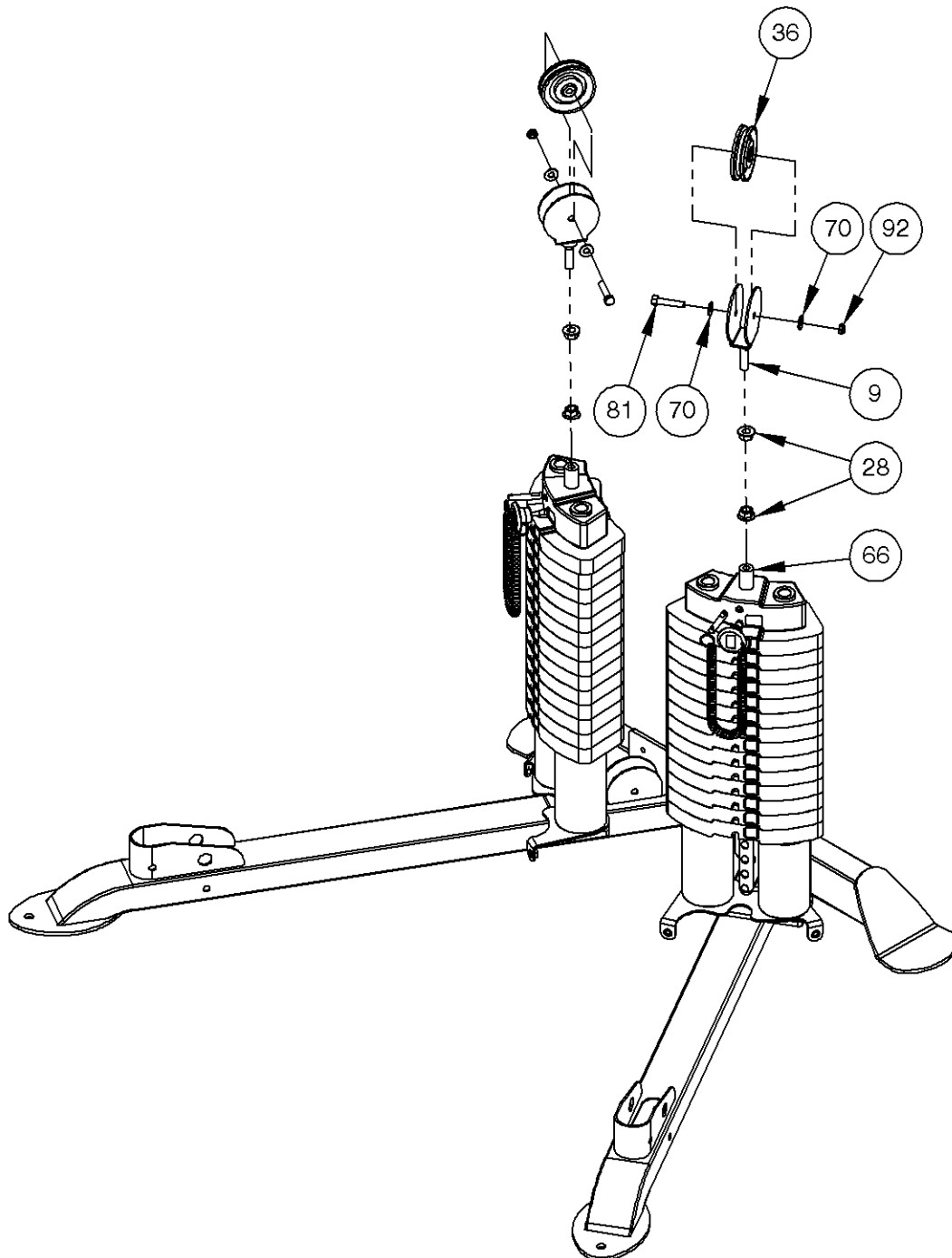
OWNER'S MANUAL

FRAME ASSEMBLY

NOTE:

- WRENCH TIGHTEN HARDWARE.
- SOME PARTS MAY HAVE BEEN REMOVED FOR CLARITY.

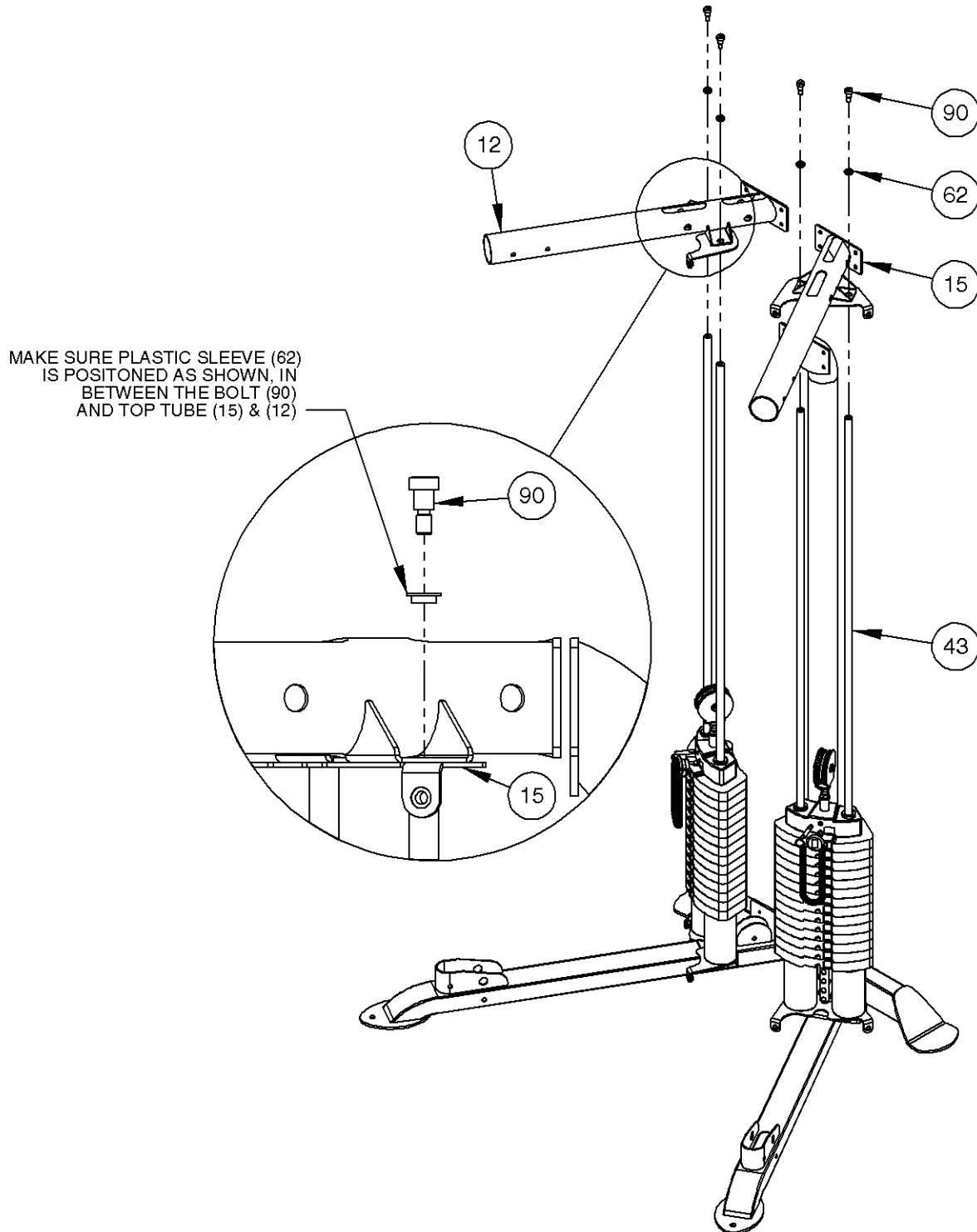
WARNING - CABLE BOLT (9) MUST BE THREADED A MINIMUM OF 3/8" WITH JAM NUT (28) TIGHTENED SECURELY TO ENSURE PROPER CONNECTION.



OWNER'S MANUAL

FRAME ASSEMBLY

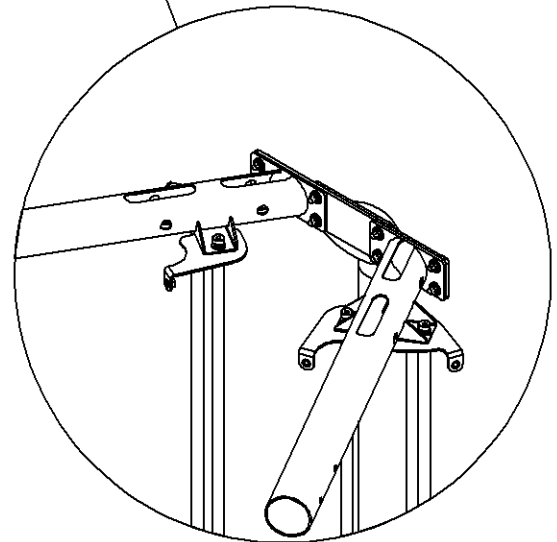
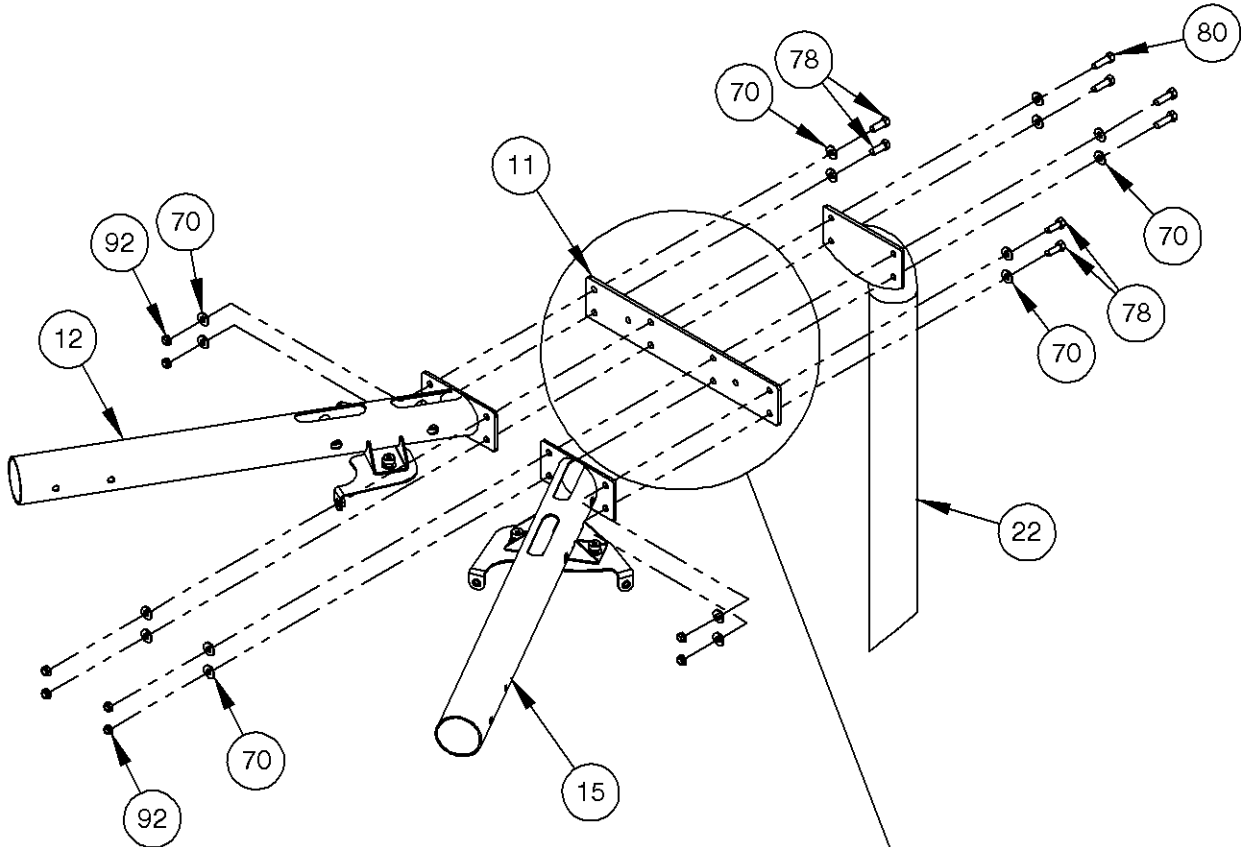
NOTE:
- WRENCH TIGHTEN HARDWARE.
- SOME PARTS MAY HAVE BEEN
REMOVED FOR CLARITY.



OWNER'S MANUAL

FRAME ASSEMBLY

NOTE:
- HAND TIGHTEN HARDWARE.
- SOME PARTS MAY HAVE BEEN
REMOVED FOR CLARITY.

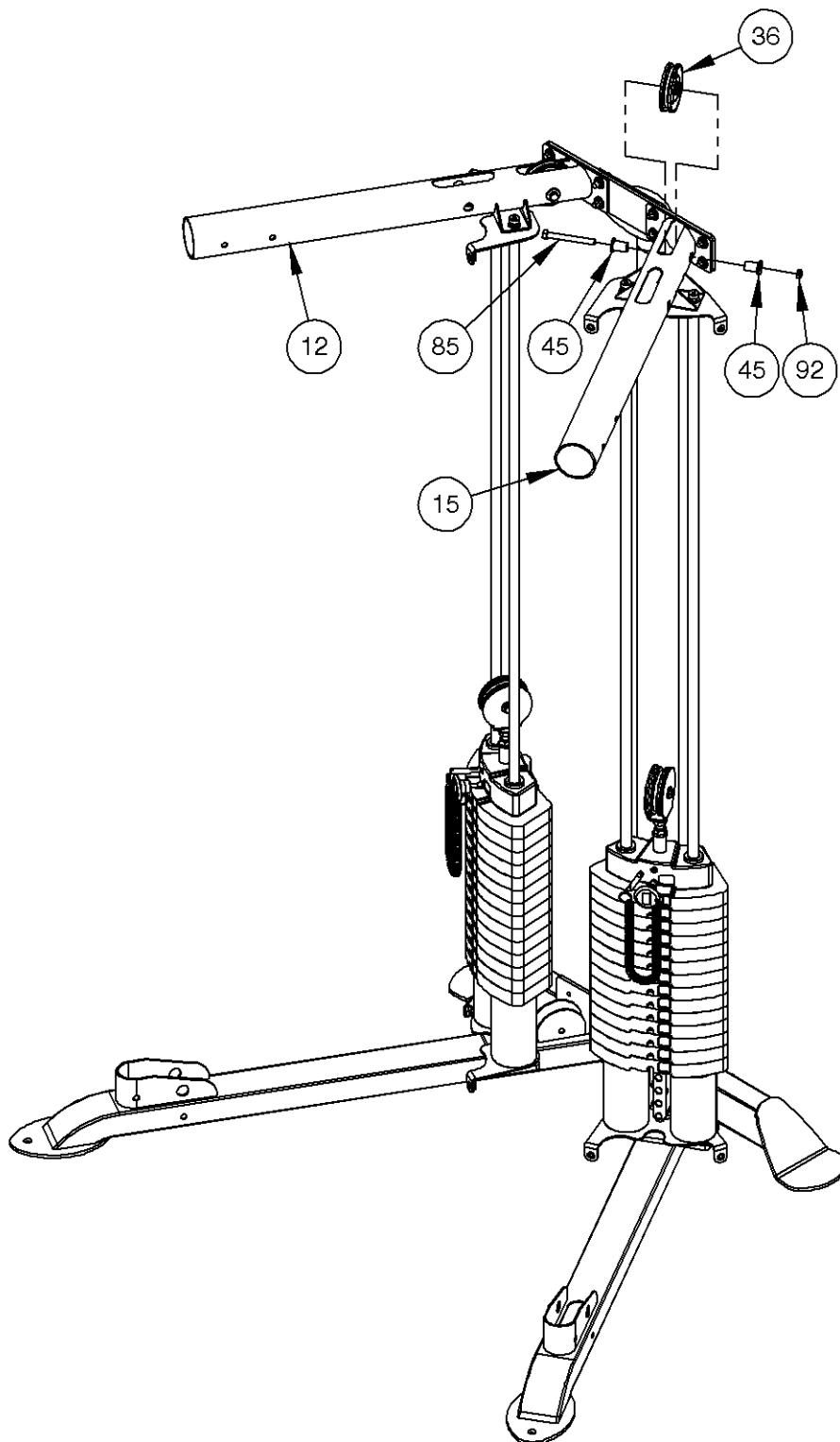


PROPERLY INSTALLED VIEW

OWNER'S MANUAL

FRAME ASSEMBLY

NOTE:
- WRENCH TIGHTEN HARDWARE.
- REPEAT ASSEMBLY FOR OPPOSITE SIDE.

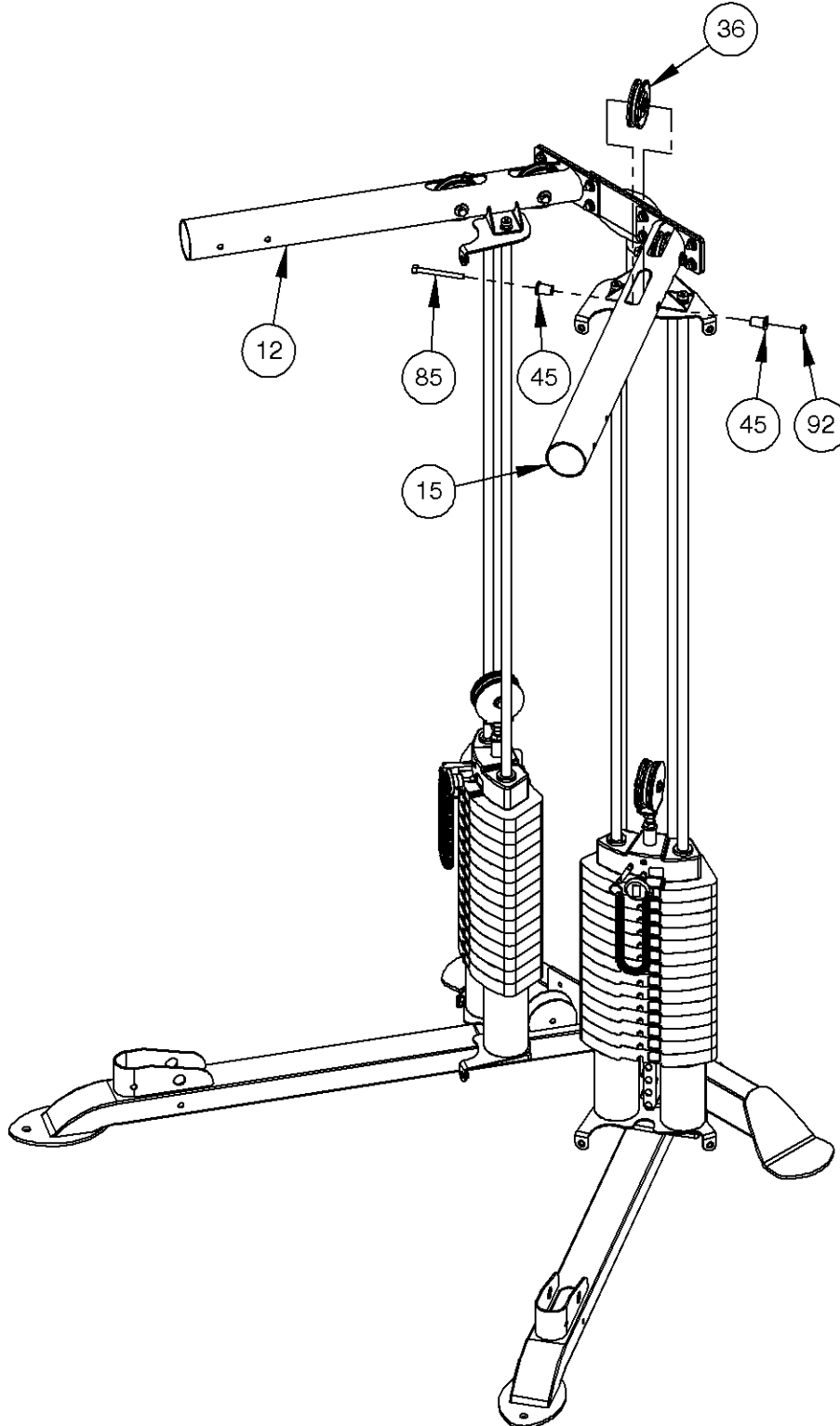


OWNER'S MANUAL

FRAME ASSEMBLY

NOTE:

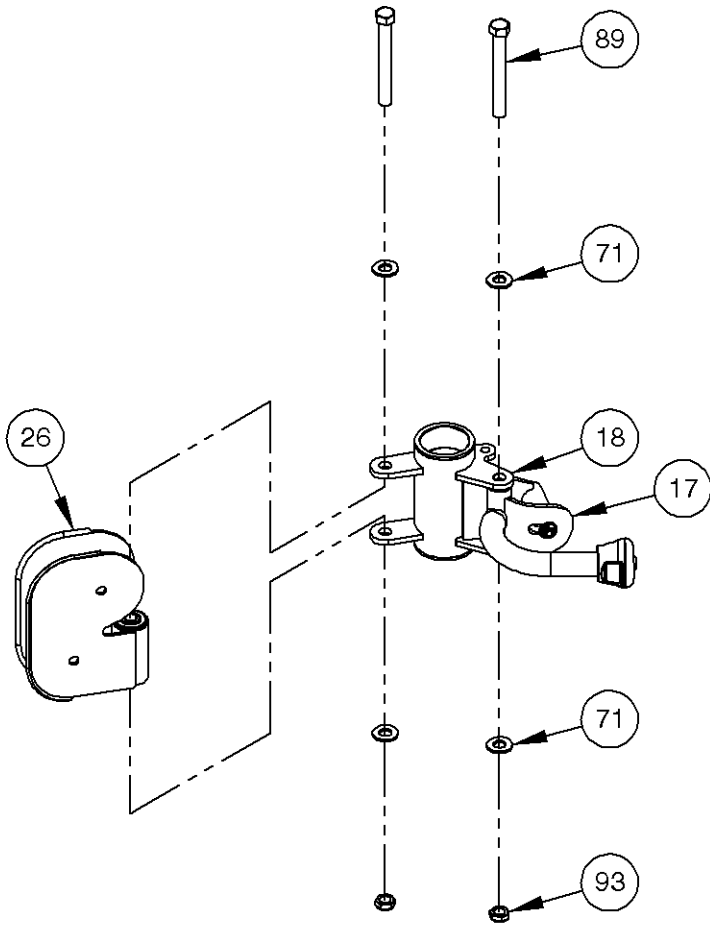
- WRENCH TIGHTEN HARDWARE.
- REPEAT ASSEMBLY FOR OPPOSITE SIDE.



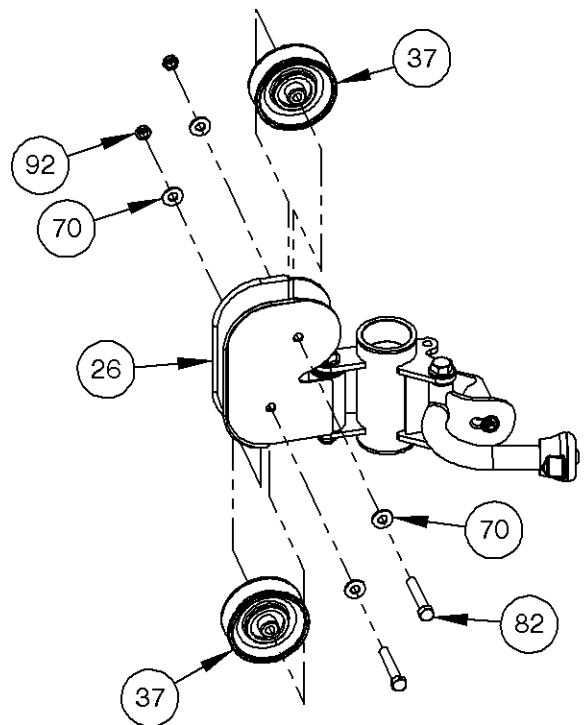
OWNER'S MANUAL

FRAME ASSEMBLY

NOTE:
- WRENCH TIGHTEN HARDWARE.
- REPEAT ASSEMBLY FOR OPPOSITE SIDE.



STEP 1:

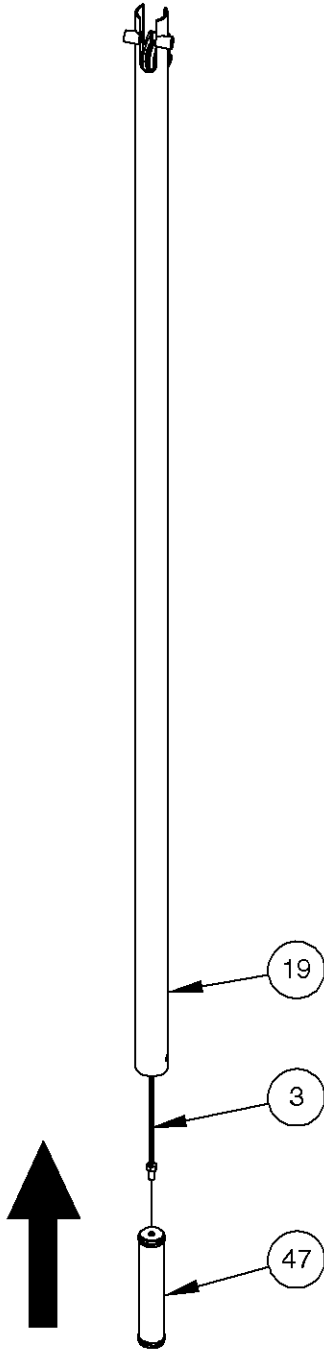


STEP 2:

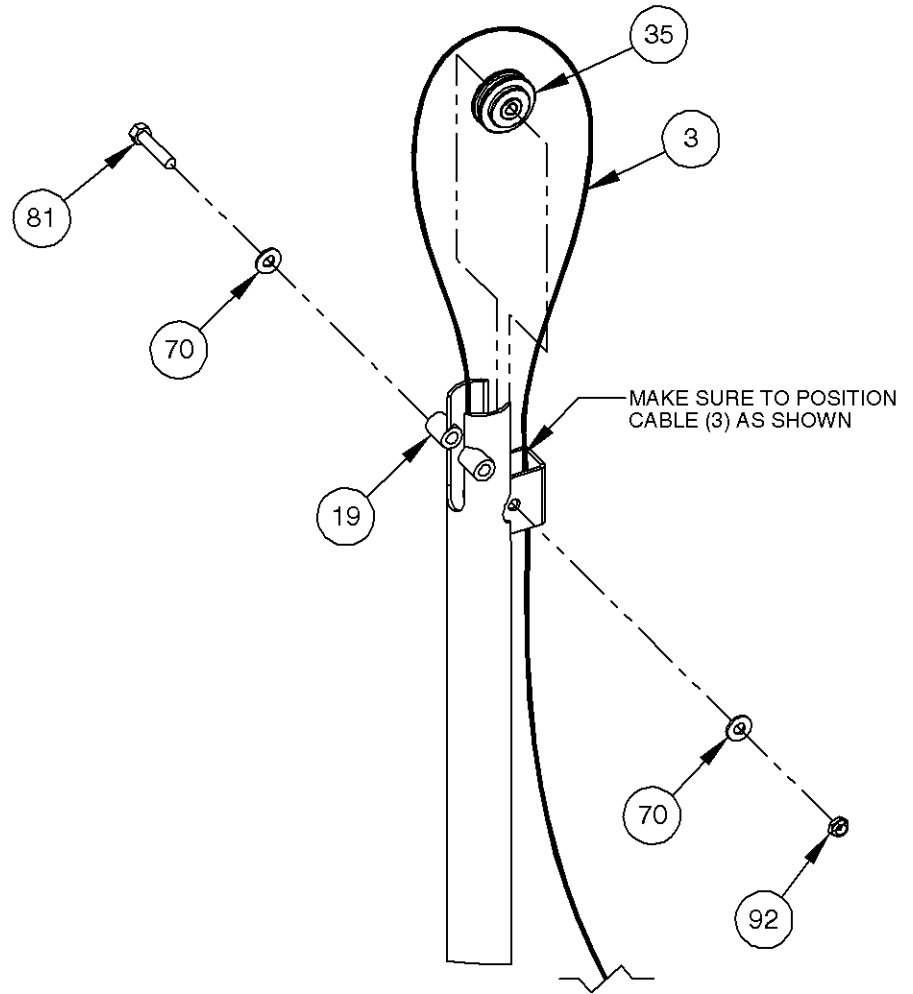
OWNER'S MANUAL

FRAME ASSEMBLY

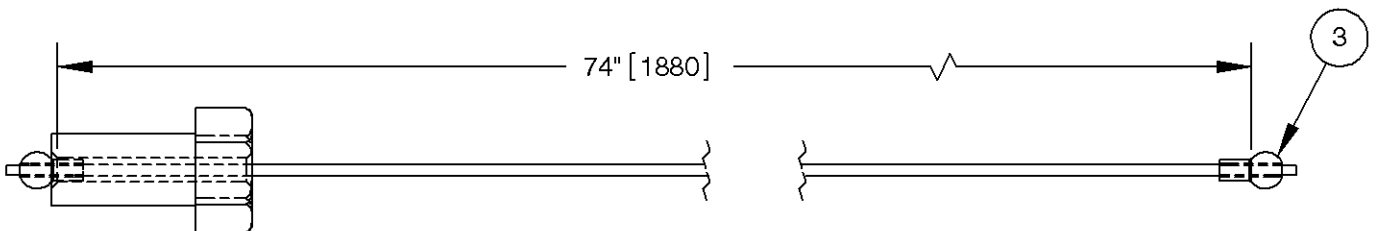
- NOTE:
- WRENCH TIGHTEN HARDWARE.
- REPEAT ASSEMBLY FOR OPPOSITE SIDE.



STEP 1:



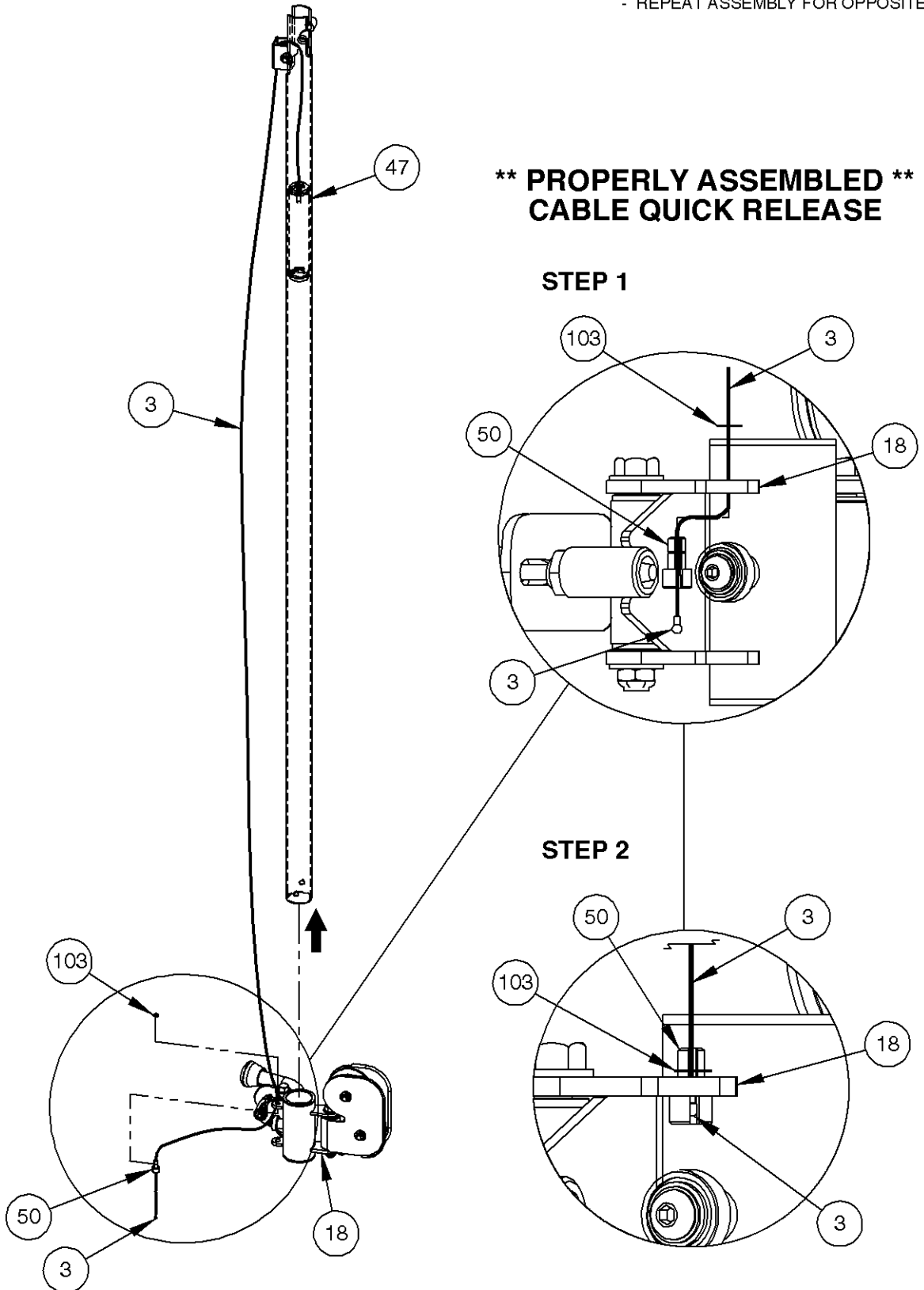
STEP 2:



OWNER'S MANUAL

FRAME ASSEMBLY

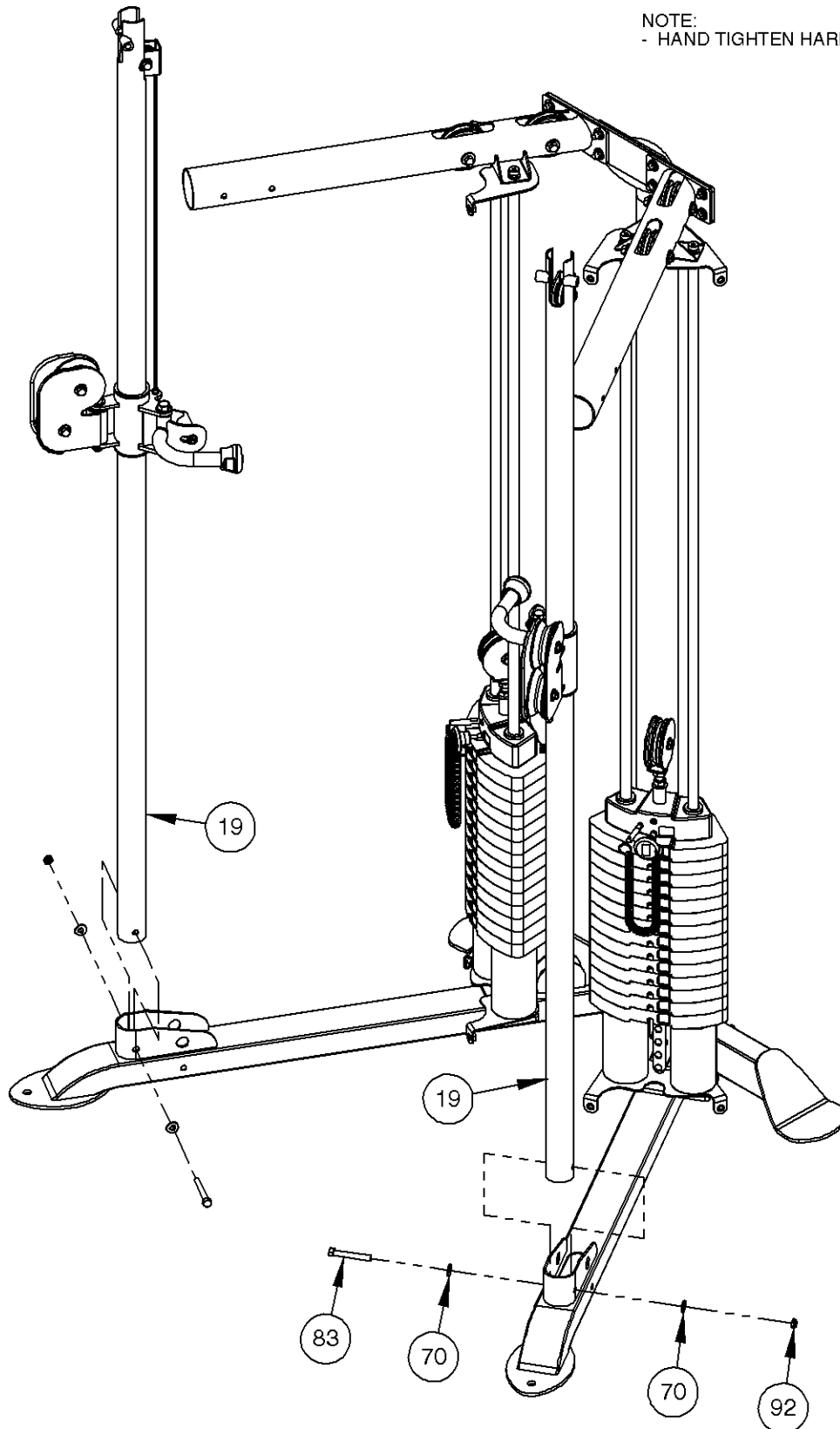
NOTE:
- REPEAT ASSEMBLY FOR OPPOSITE SIDE.



OWNER'S MANUAL

FRAME ASSEMBLY

NOTE:
- HAND TIGHTEN HARDWARE.



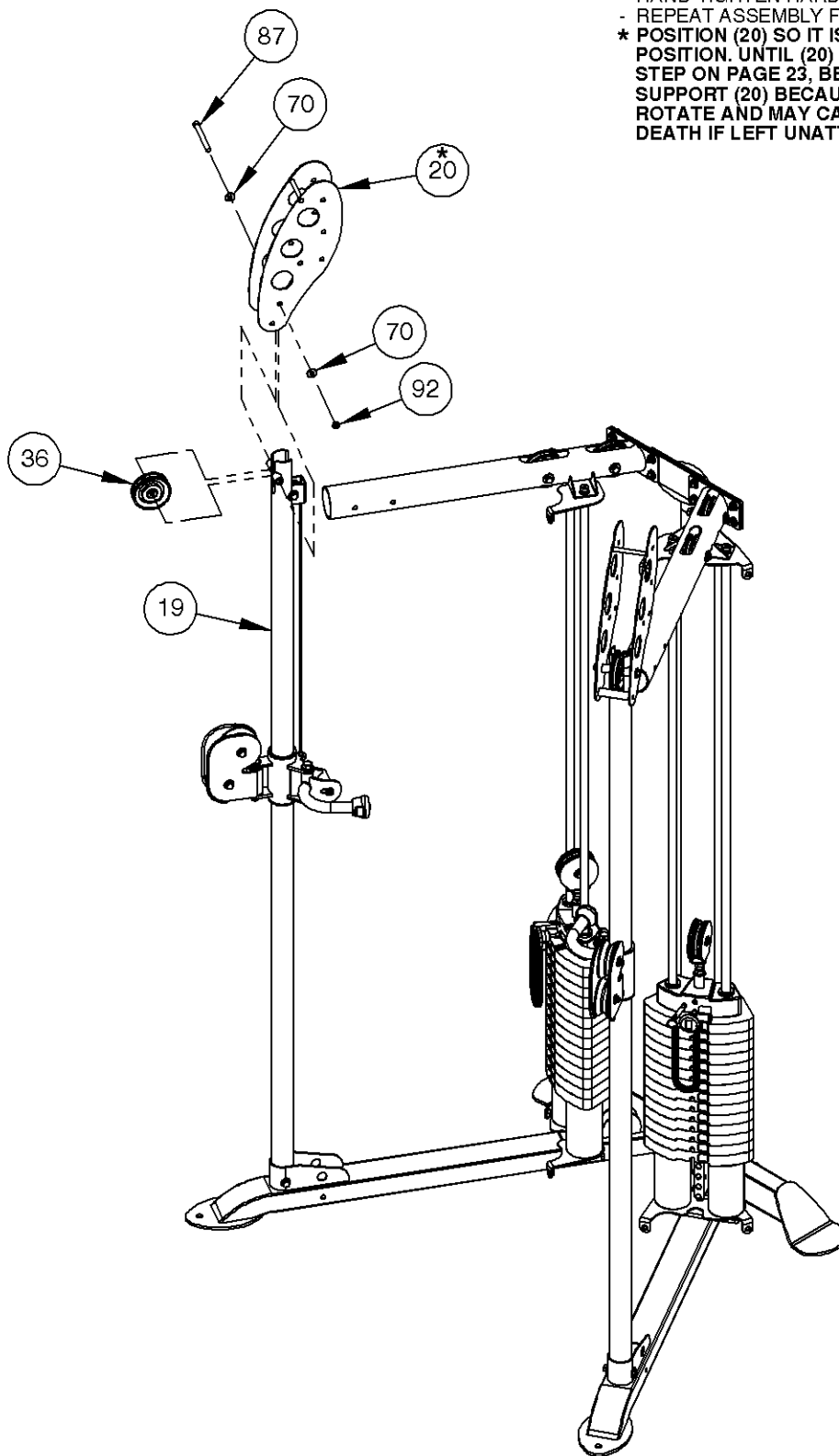
OWNER'S MANUAL

FRAME ASSEMBLY

NOTE:

- HAND TIGHTEN HARDWARE.
- REPEAT ASSEMBLY FOR OPPOSITE SIDE.

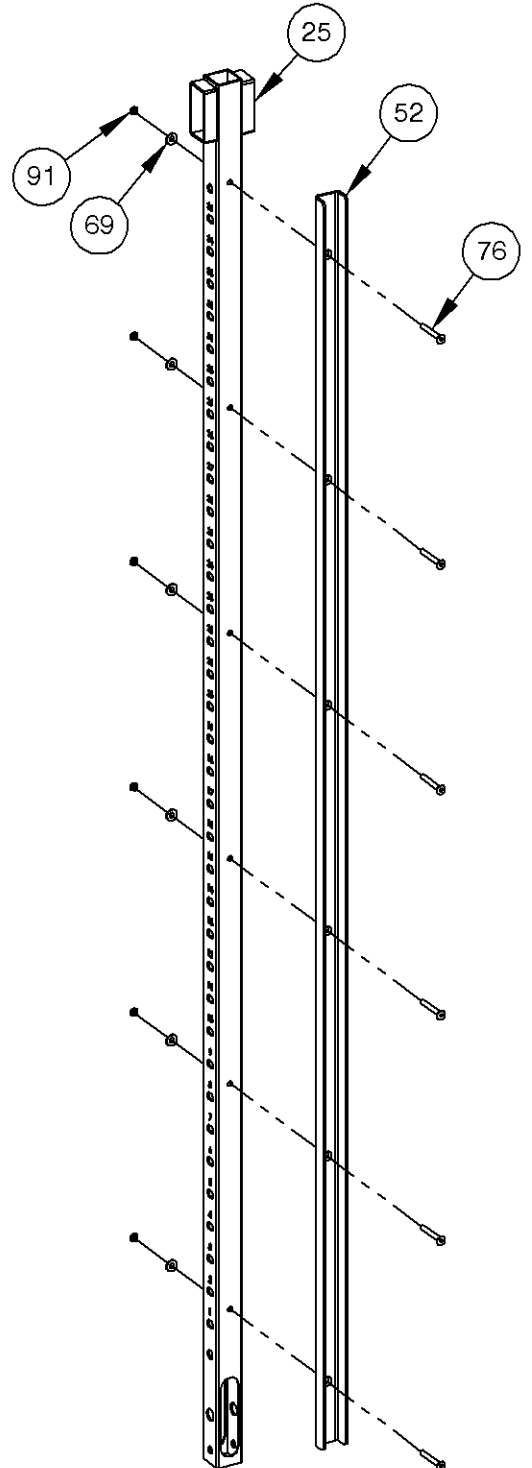
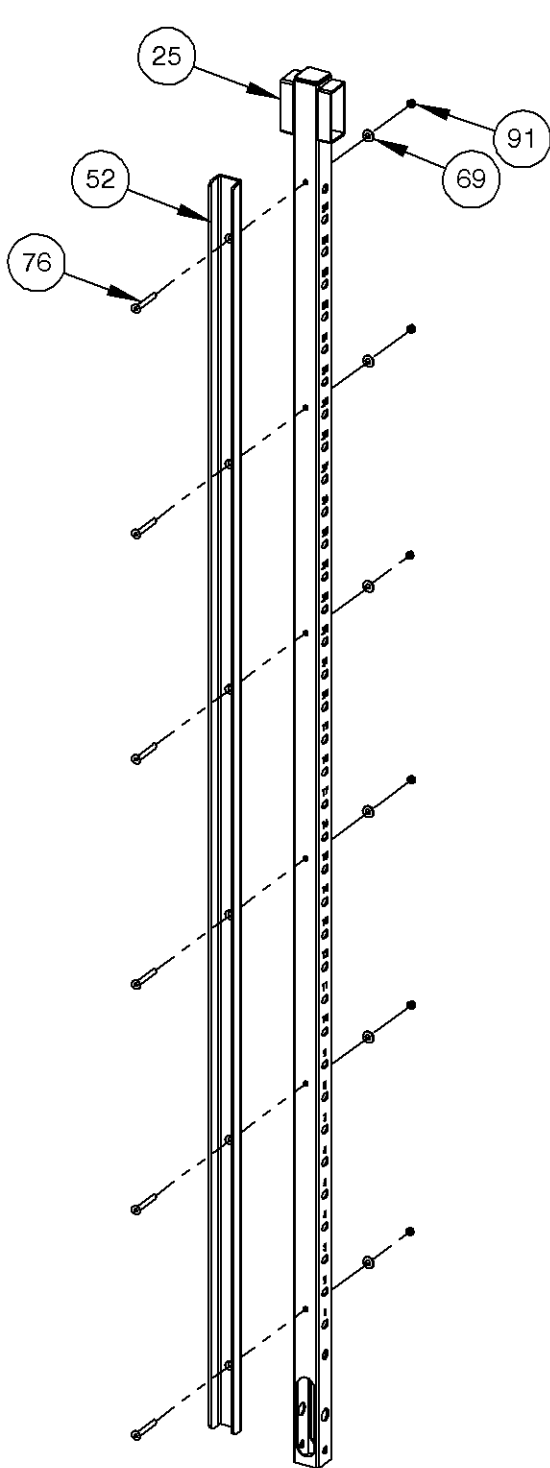
* POSITION (20) SO IT IS IN AN UPRIGHT POSITION. UNTIL (20) IS SHOWN RESTING IN THE STEP ON PAGE 23, BE CERTAIN TO ALWAYS SUPPORT (20) BECAUSE IT WILL BE FREE TO ROTATE AND MAY CAUSE SERIOUS INJURY OR DEATH IF LEFT UNATTENDED.



OWNER'S MANUAL

FRAME ASSEMBLY

NOTE:
- WRENCH TIGHTEN HARDWARE.
- SOME PARTS MAY HAVE BEEN
REMOVED FOR CLARITY.



OWNER'S MANUAL

THIS PAGE WAS INTENTIONALLY LEFT BLANK

OWNER'S MANUAL

STEP 2

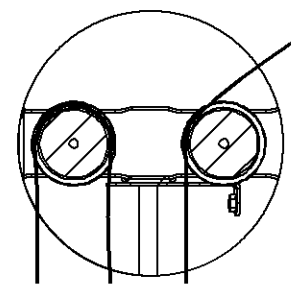
FRAME ASSEMBLY CABLING PATH

NOTE:

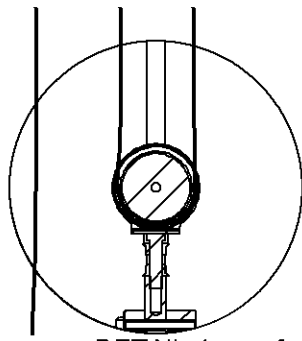
- SOME PARTS MAY HAVE BEEN REMOVED FOR CLARITY.
- REPEAT ASSEMBLY FOR OPPOSITE SIDE.

BE SURE CABLE IS POSITIONED OVER GUARD ROD AS SHOWN IN THE DETAIL VIEW.

BE SURE CABLE IS POSITIONED BETWEEN GUARD ROD AND PULLEY, AS SHOWN IN THE DETAIL VIEW.



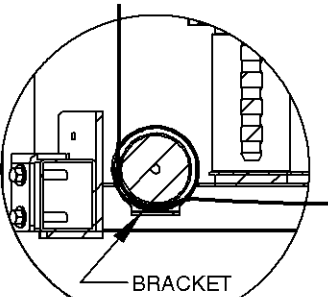
STEP 3



DETAIL 4

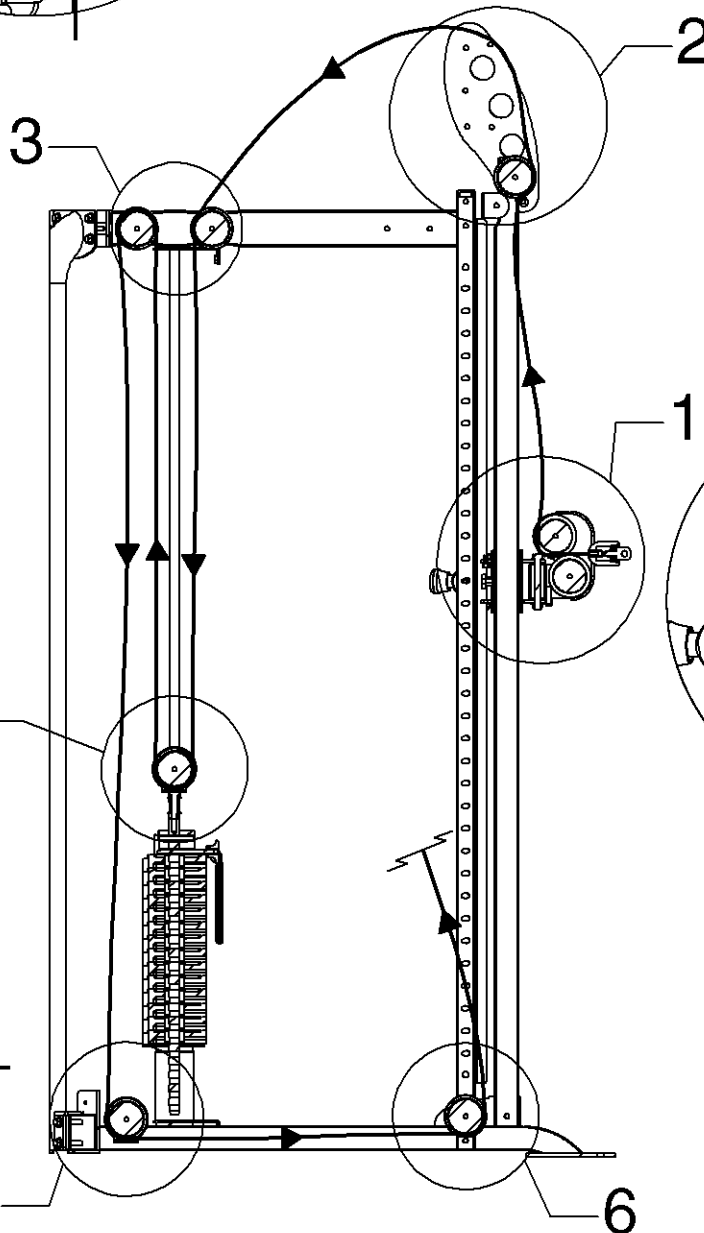
FINE TUNING:

LOOSEN JAM NUT AND THREAD BOLT IN/OUT TO GIVE THE CABLE PROPER TENSION. RE-TIGHTEN JAM NUT.

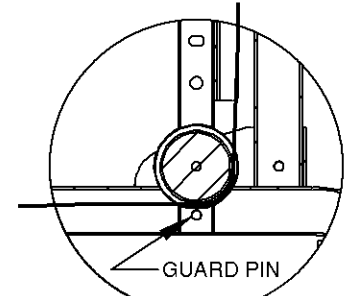
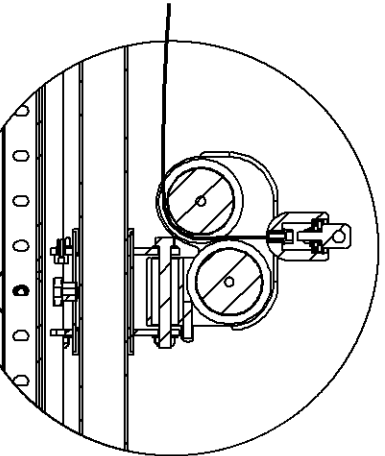


BRACKET

DETAIL 5



STEP 1



GUARD PIN

STEP 6

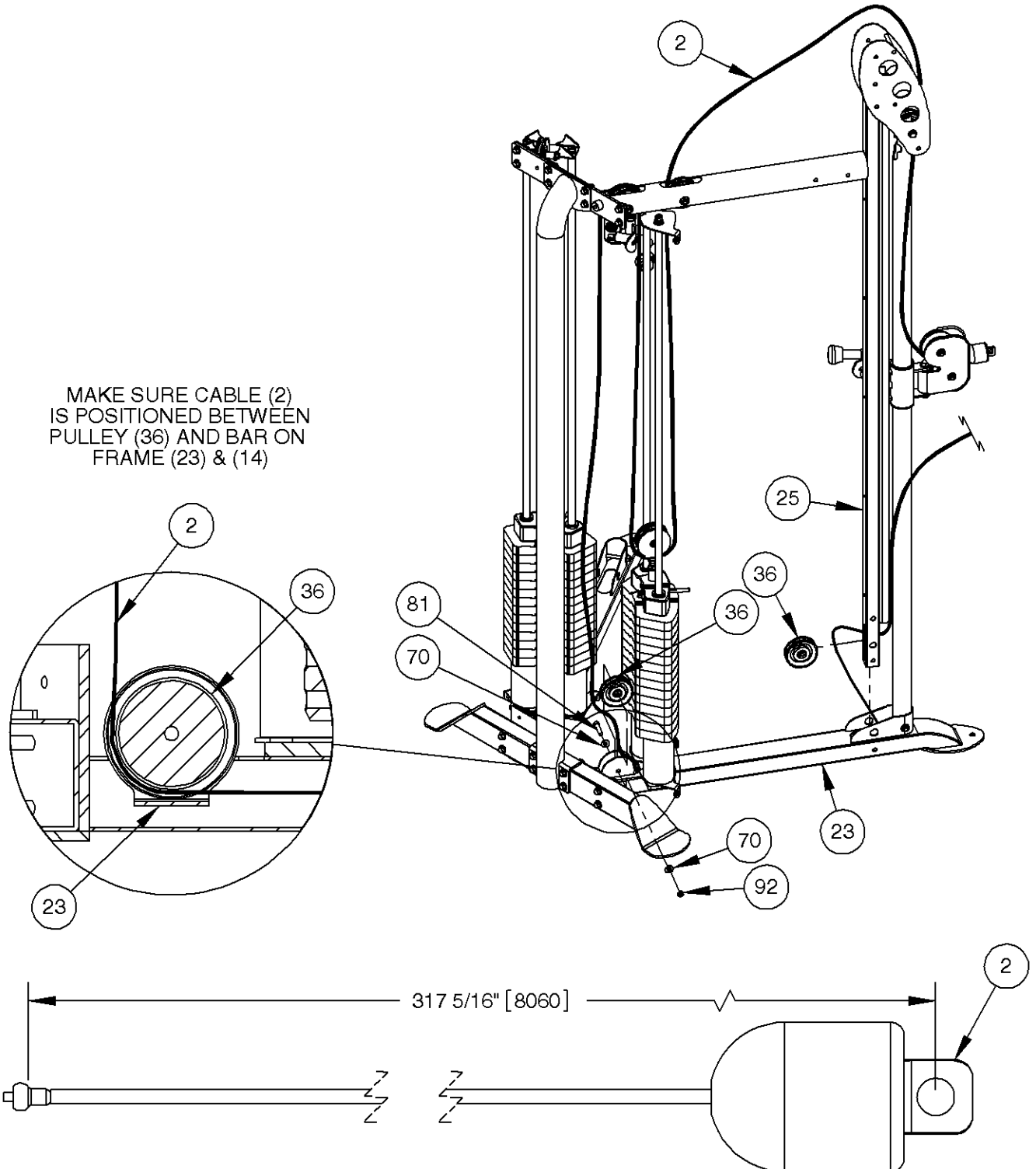
OWNER'S MANUAL

FRAME ASSEMBLY

NOTE:

- WRENCH TIGHTEN HARDWARE.
- SOME PARTS MAY HAVE BEEN REMOVED FOR CLARITY.
- REPEAT ASSEMBLY FOR OPPOSITE SIDE.

MAKE SURE CABLE (2)
IS POSITIONED BETWEEN
PULLEY (36) AND BAR ON
FRAME (23) & (14)



OWNER'S MANUAL

THIS PAGE WAS INTENTIONALLY LEFT BLANK

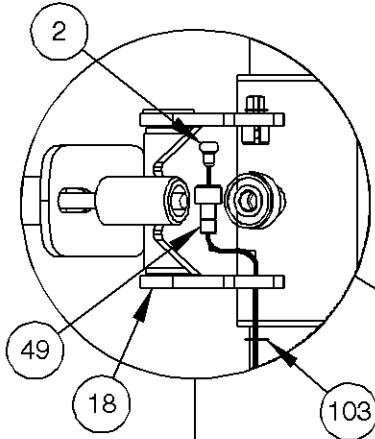
OWNER'S MANUAL

FRAME ASSEMBLY

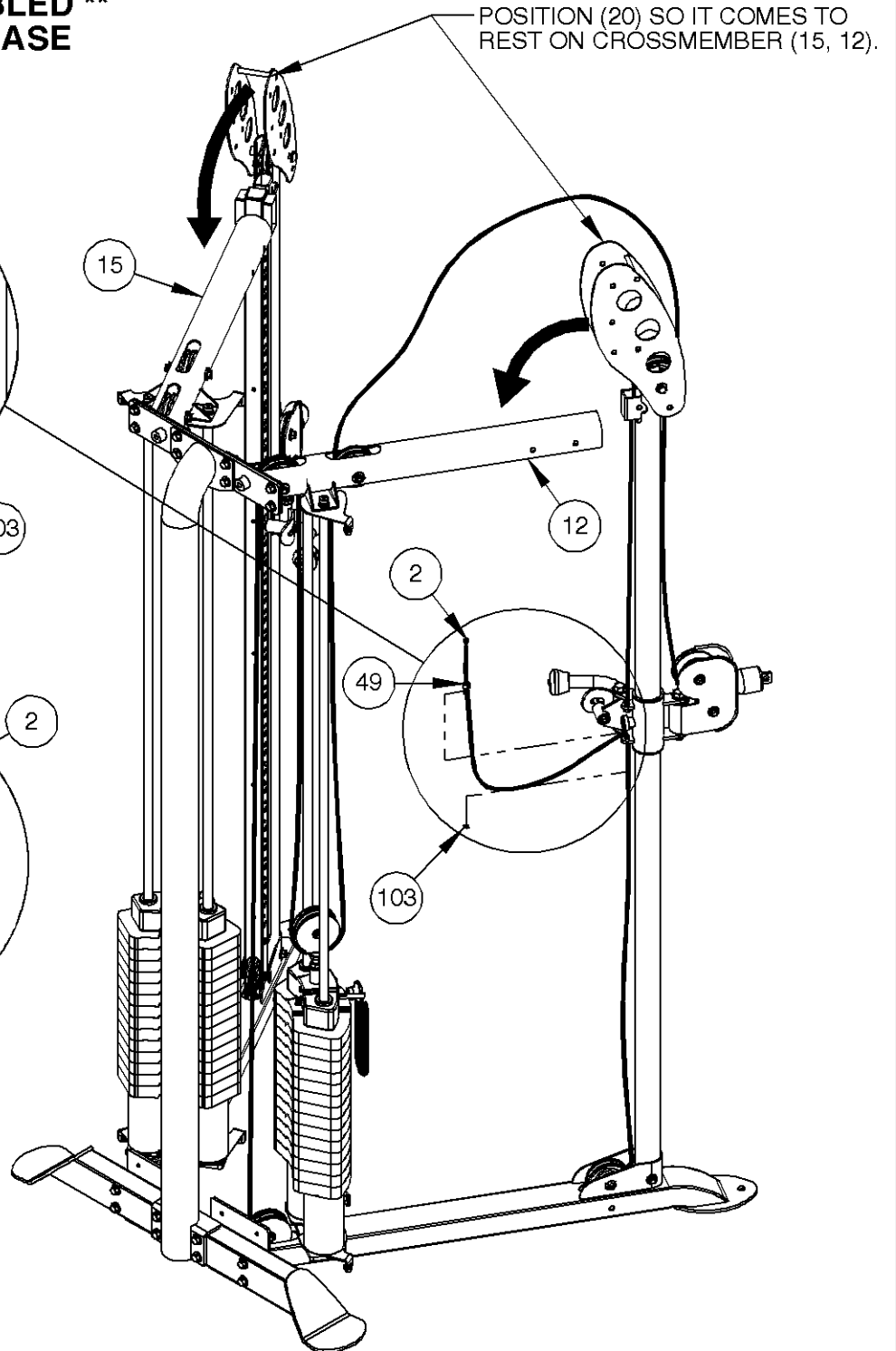
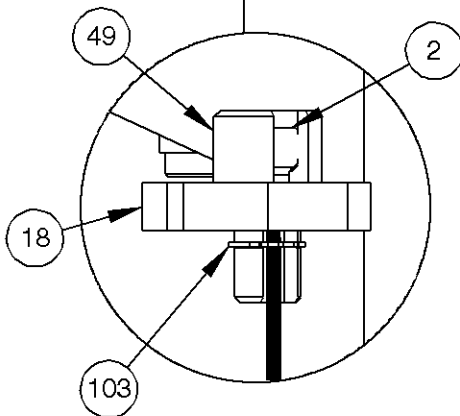
NOTE:
- SOME PARTS MAY HAVE BEEN
REMOVED FOR CLARITY.

**** PROPERLY ASSEMBLED ****
CABLE QUICK RELEASE

STEP 1



STEP 2

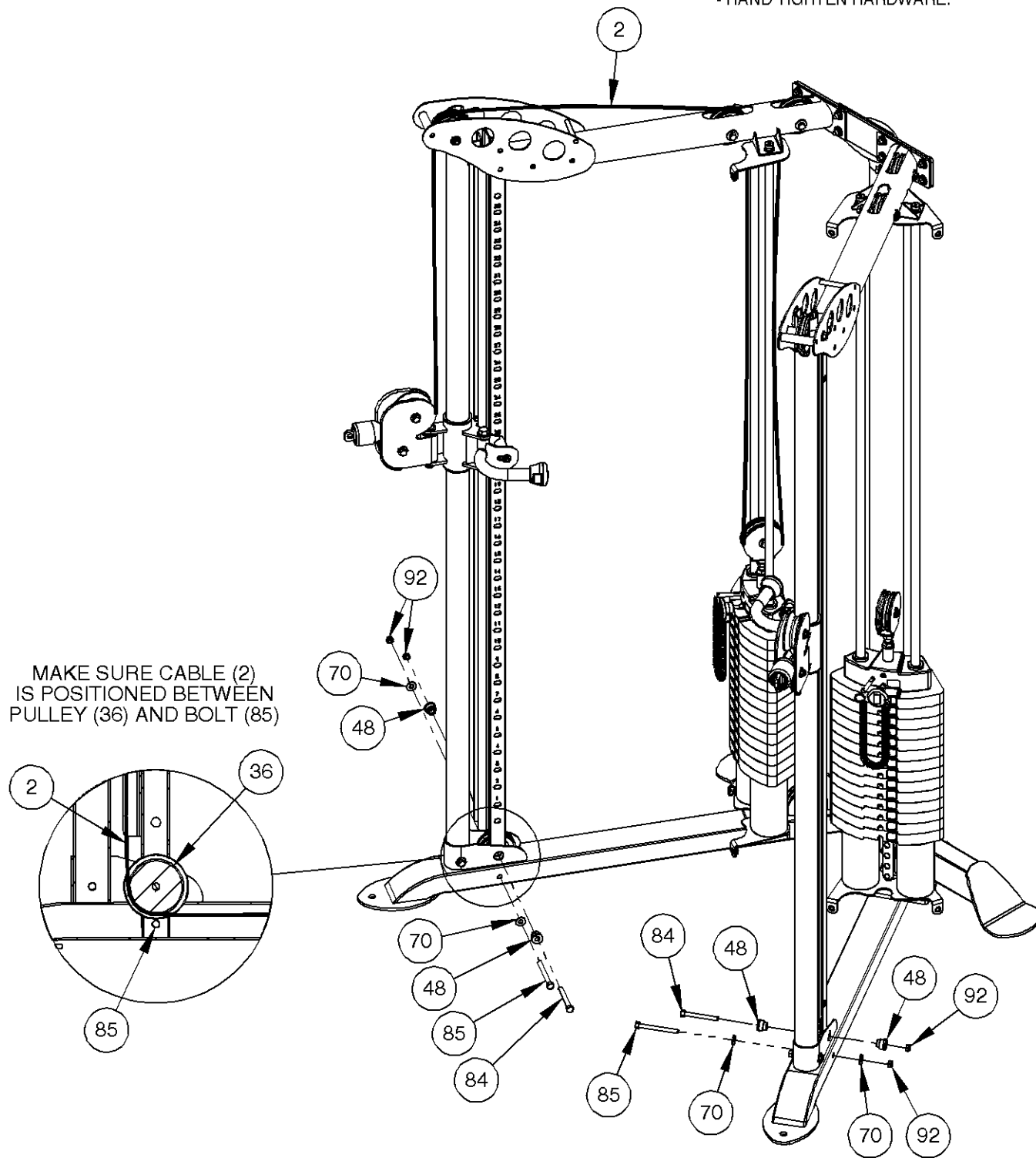


D
1:4

OWNER'S MANUAL

FRAME ASSEMBLY

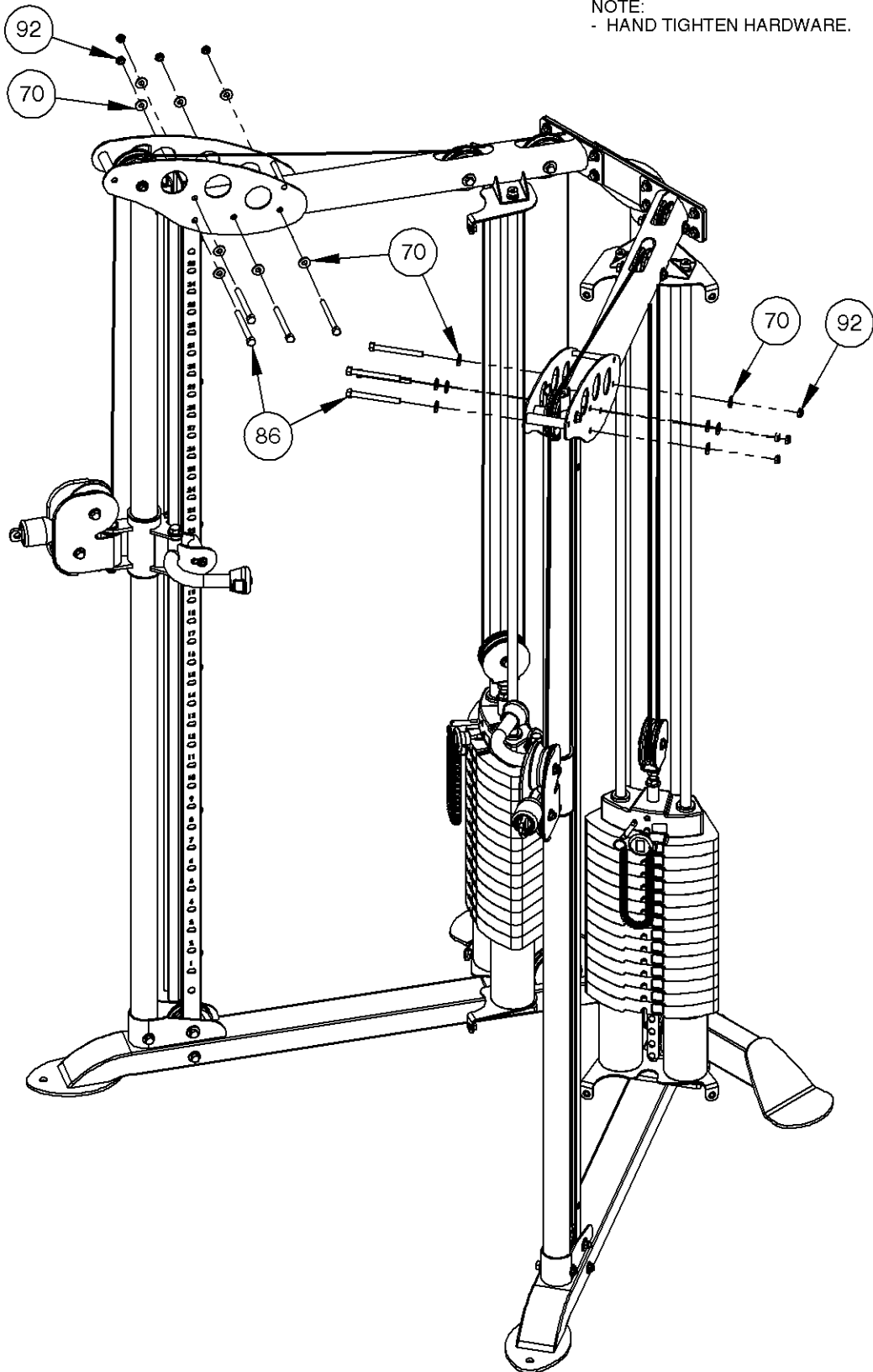
NOTE:
- HAND TIGHTEN HARDWARE.



OWNER'S MANUAL

FRAME ASSEMBLY

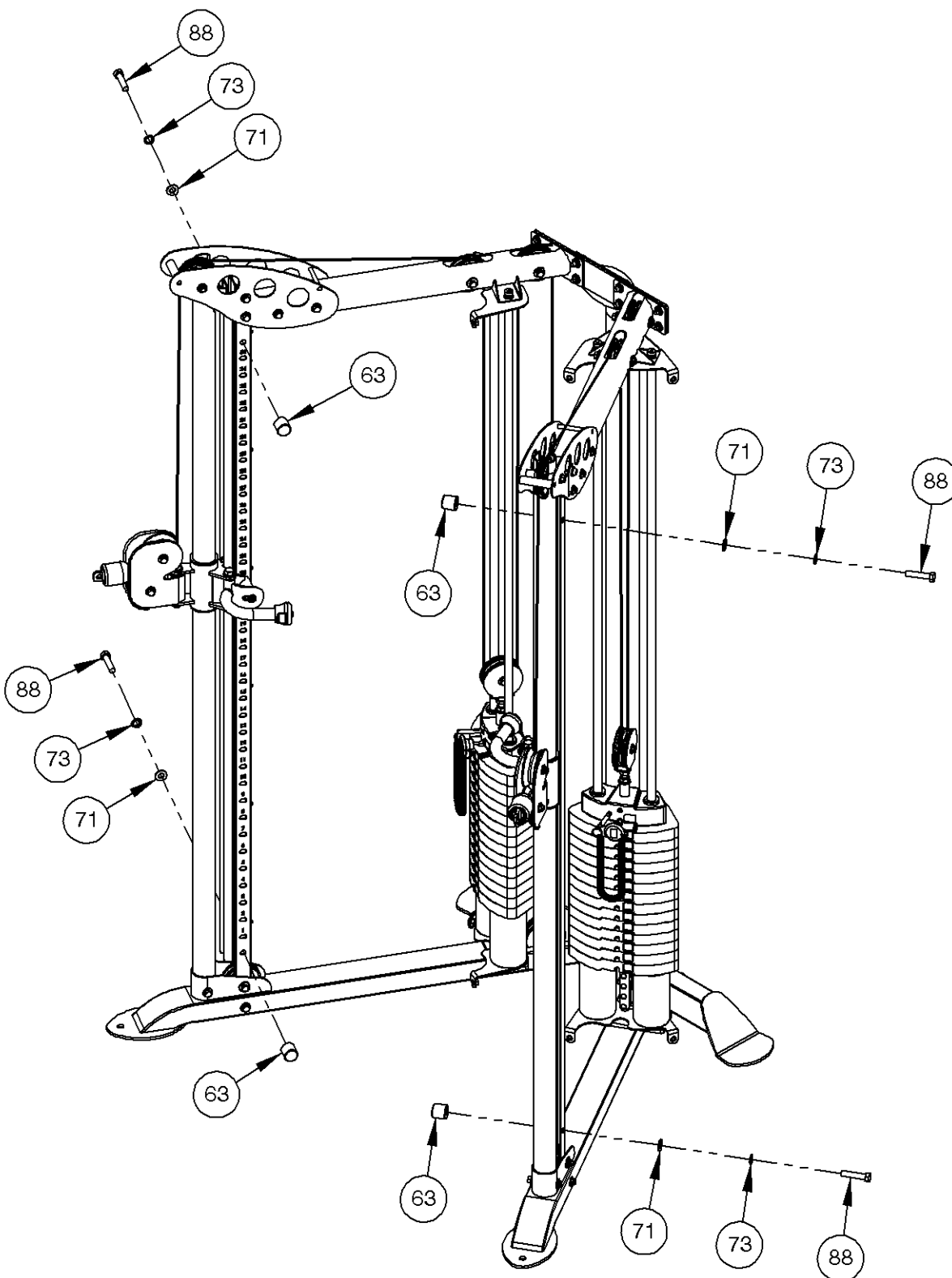
NOTE:
- HAND TIGHTEN HARDWARE.



OWNER'S MANUAL

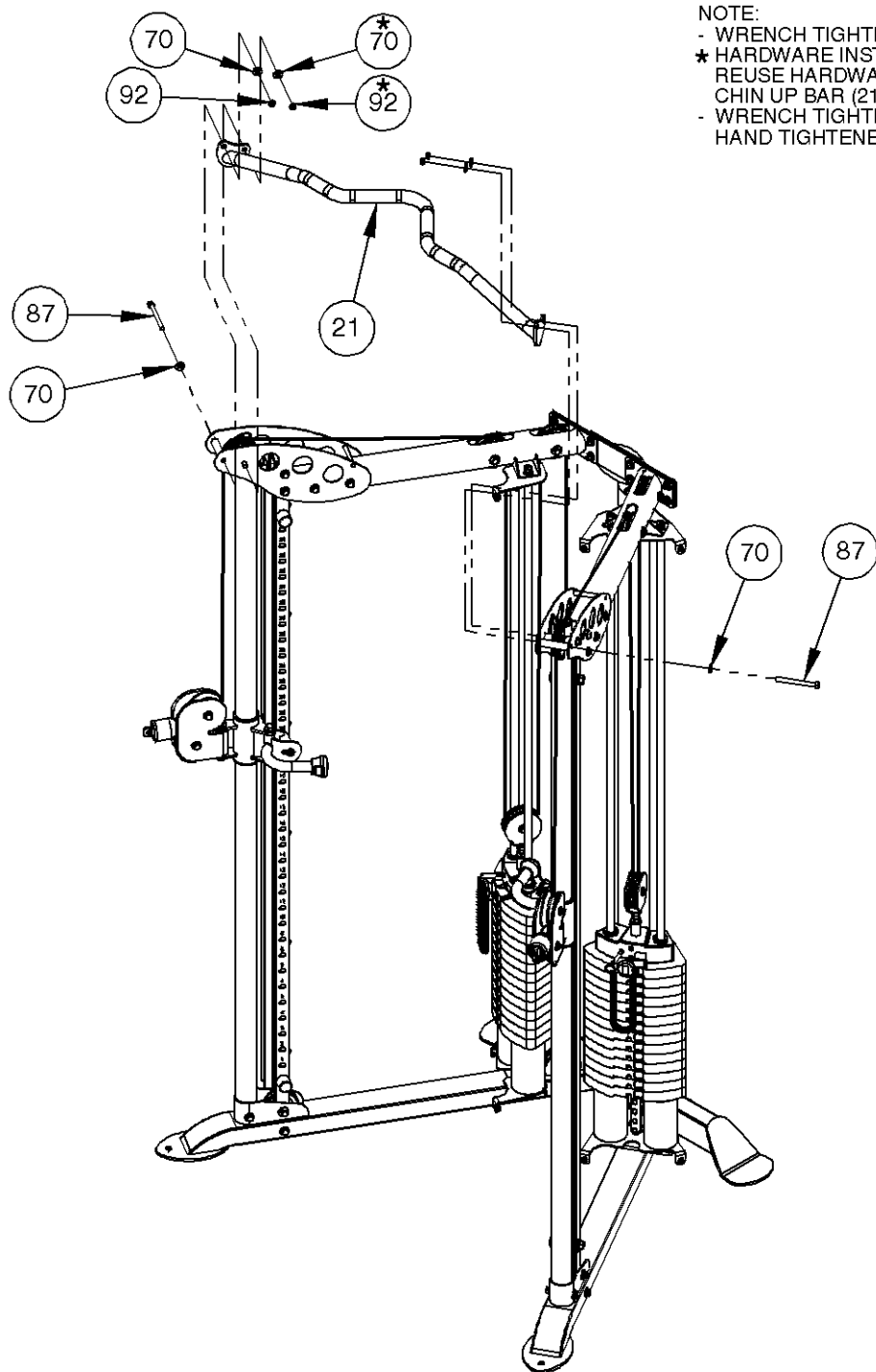
FRAME ASSEMBLY

NOTE:
- WRENCH TIGHTEN HARDWARE.



OWNER'S MANUAL

FRAME ASSEMBLY



NOTE:

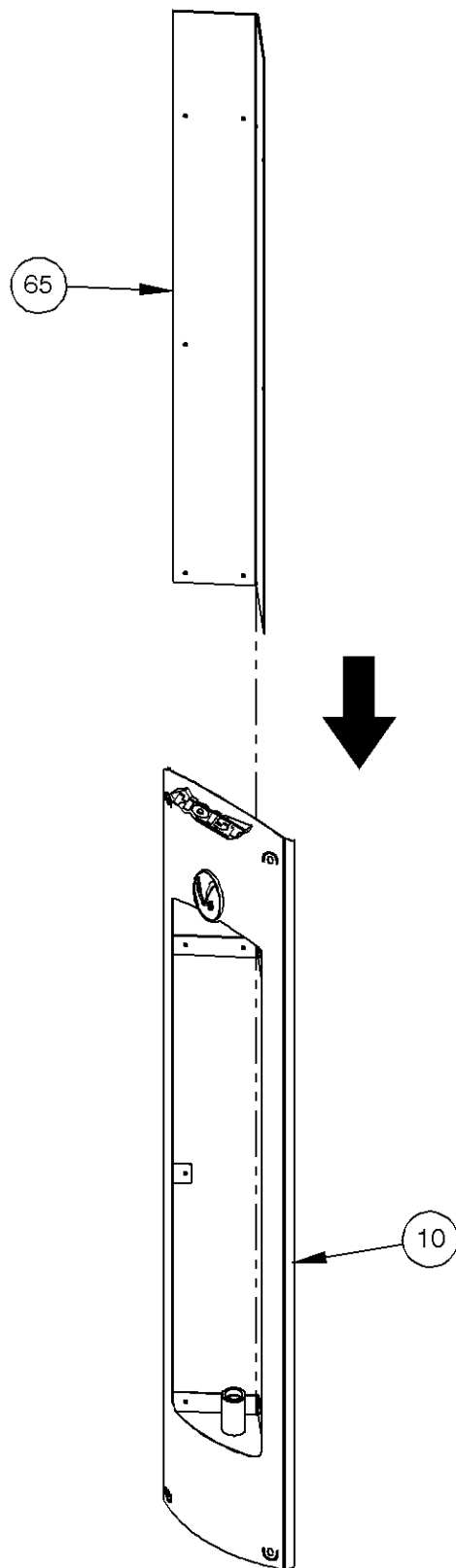
- WRENCH TIGHTEN HARDWARE.
- * HARDWARE INSTALLED ON PAGE 18, REUSE HARDWARE TO SECURE CHIN UP BAR (21).
- WRENCH TIGHTEN ALL PREVIOUSLY HAND TIGHTENED HARDWARE.

IMPORTANT

NOW THAT THE V-6 IS COMPLETELY ASSEMBLED TAKE TIME TO ASSURE THAT YOUR UNIT IS ASSEMBLED SQUARE AND PERPENDICULAR. USE A LEVEL TO CHECK THAT THE GUIDE RODS ARE PERPENDICULAR IN BOTH DIRECTIONS. IF THEY ARE NOT PERPENDICULAR IN BOTH DIRECTIONS, IT WILL BE NECESSARY TO LOOSEN SOME FRAME HARDWARE TO RE-ALIGN THE FRAME AND RETIGHTEN BOLTS.

OWNER'S MANUAL

FRAME ASSEMBLY

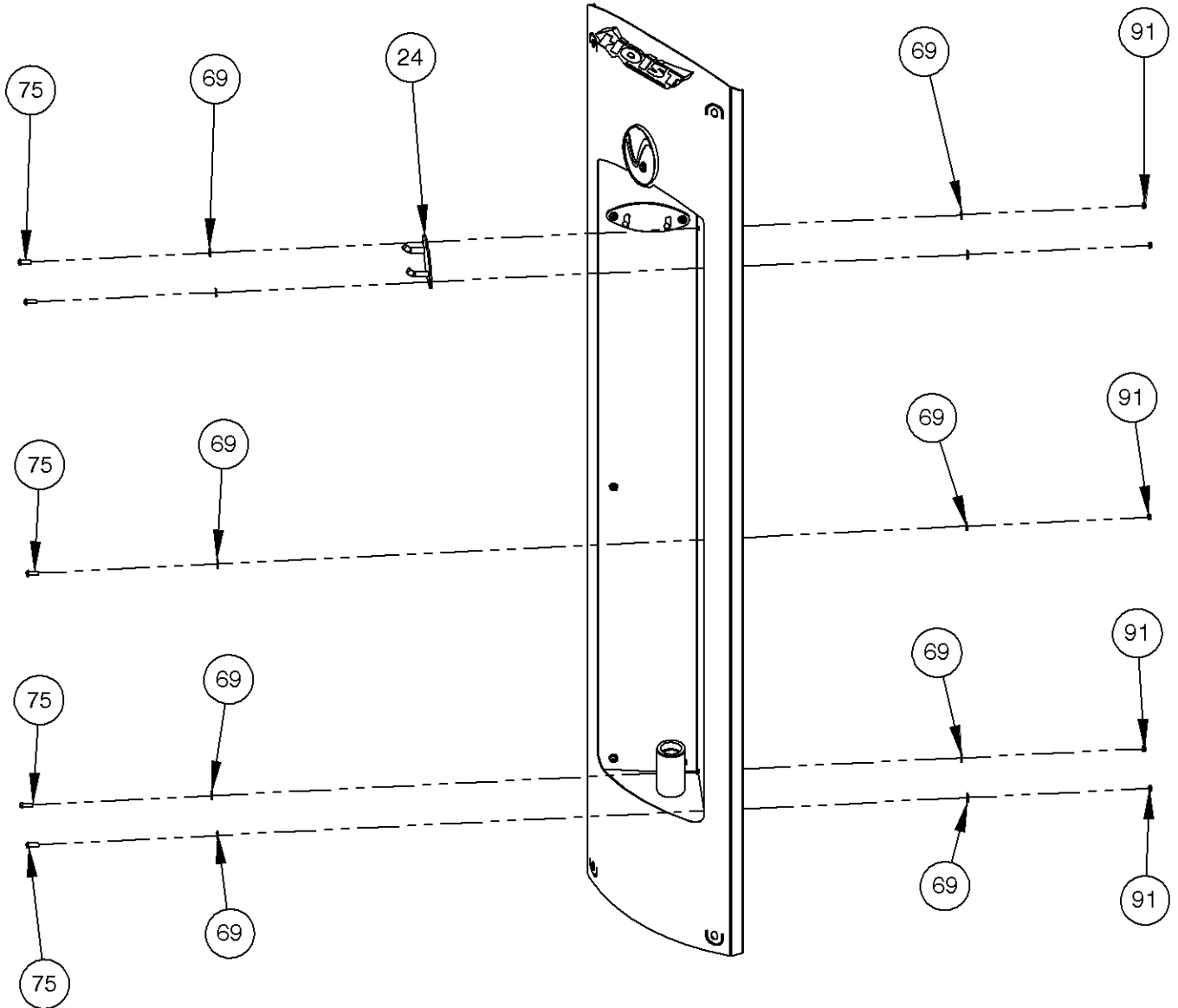


OWNER'S MANUAL

FRAME ASSEMBLY

NOTE:

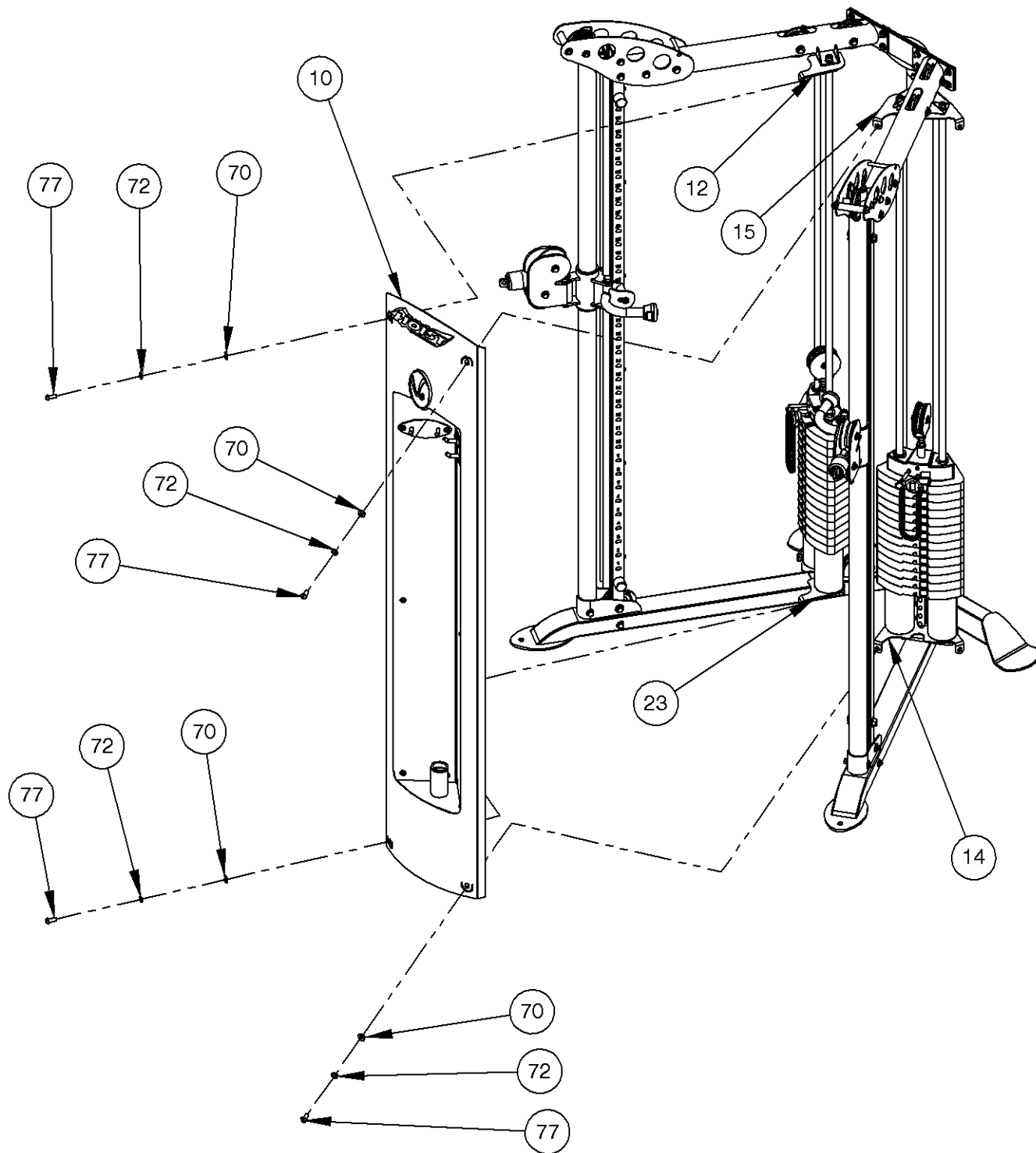
- WRENCH TIGHTEN HARDWARE.
- REPEAT ASSEMBLY FOR OPPOSITE SIDE.



OWNER'S MANUAL

FRAME ASSEMBLY

NOTE:
- HAND TIGHTEN HARDWARE.

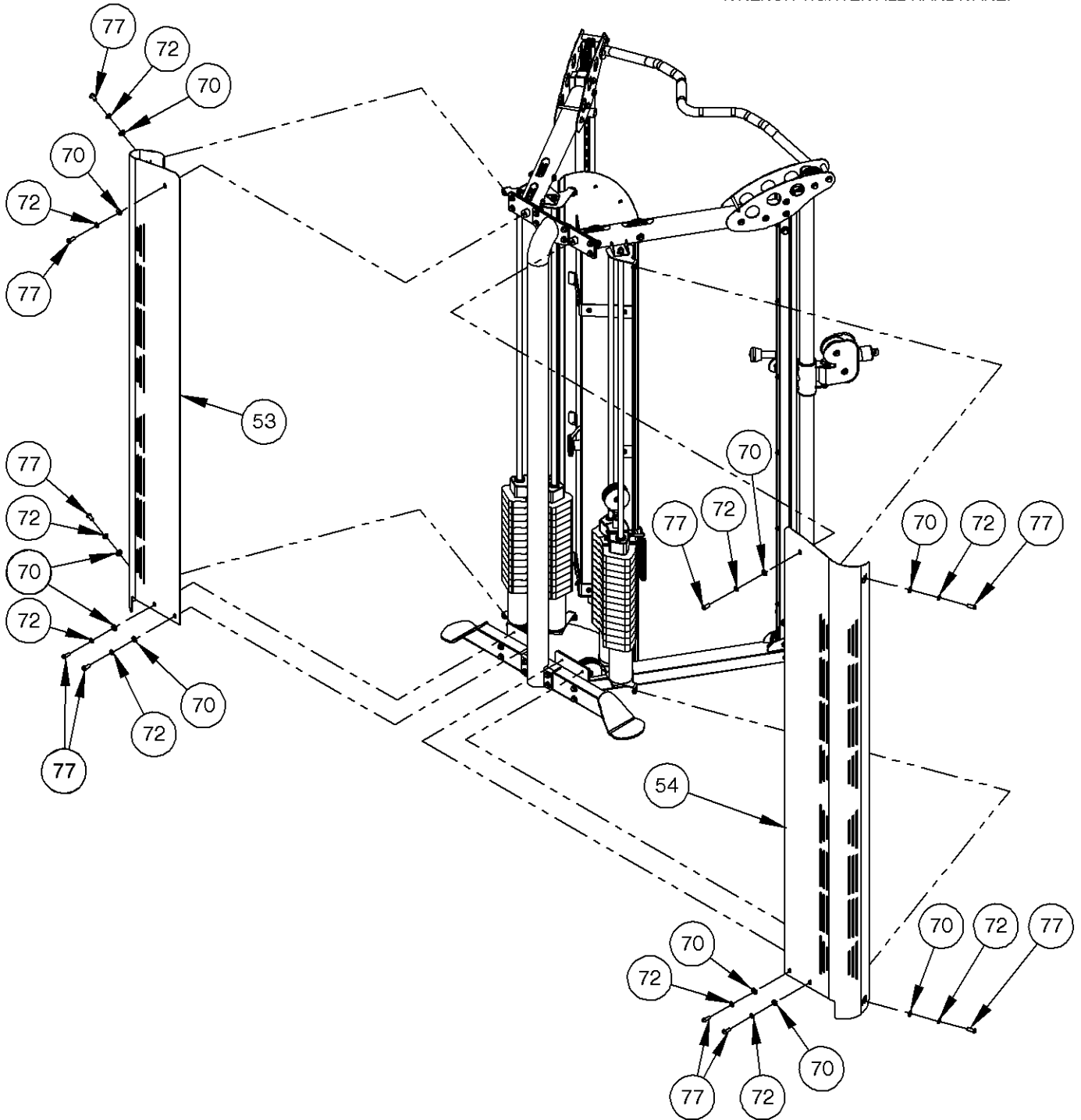


OWNER'S MANUAL

FRAME ASSEMBLY

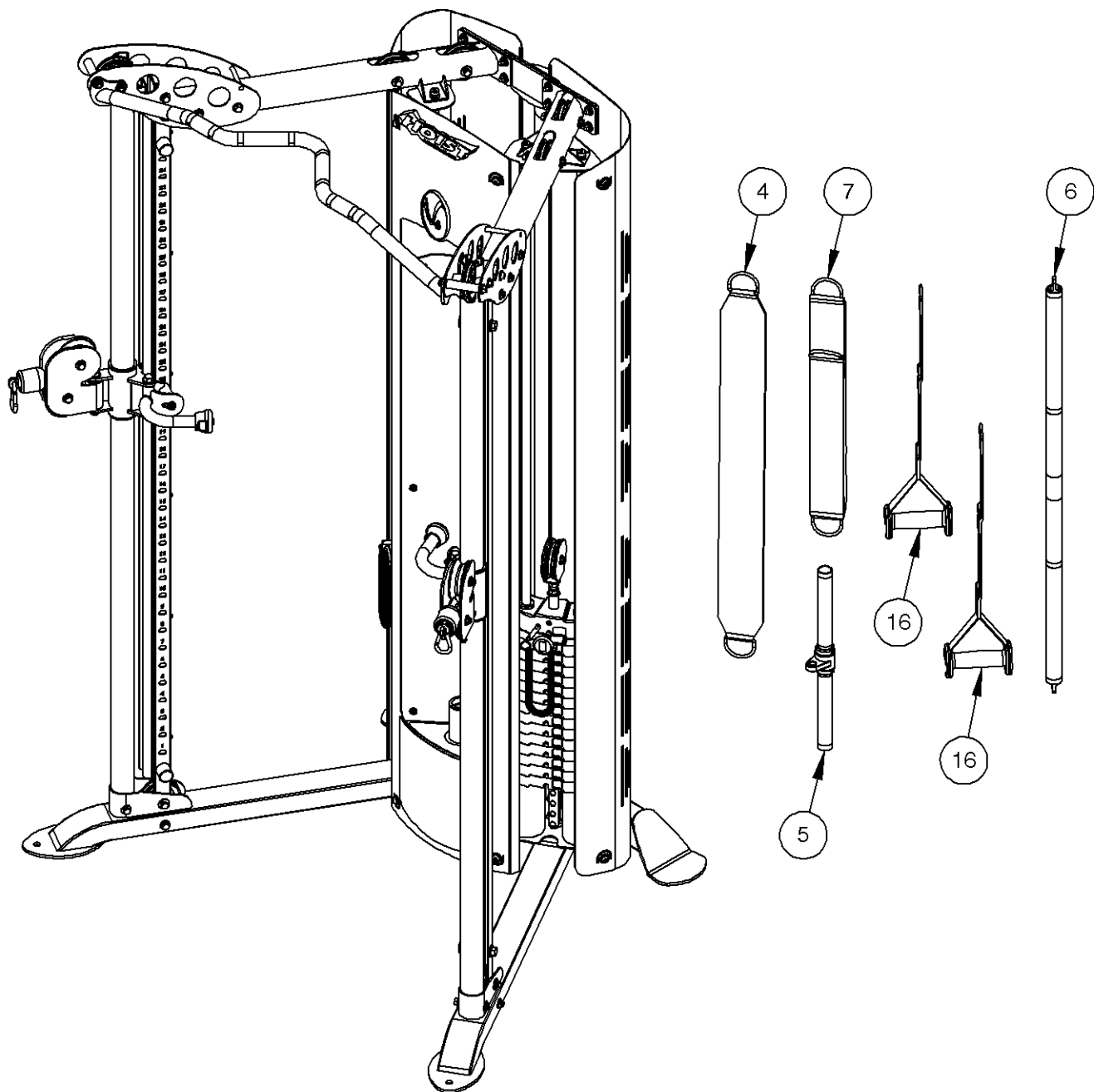
NOTE:

- HAND TIGHTEN HARDWARE.
- WRENCH TIGHTEN ALL HARDWARE FROM PREVIOUS STEPS.
- ONCE THE SHIELDS ARE ALIGNED, WRENCH TIGHTEN ALL HARDWARE.



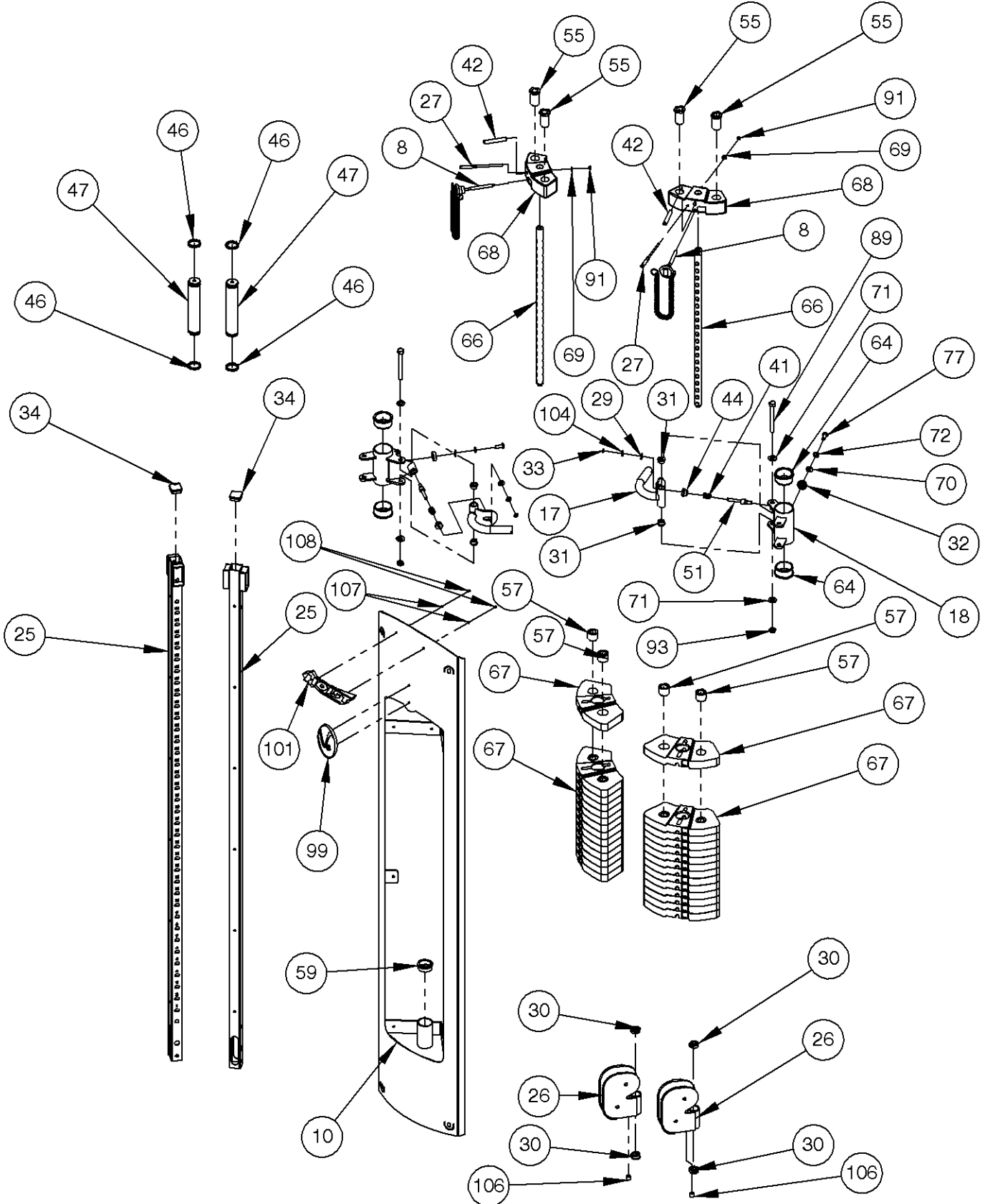
OWNER'S MANUAL

ACCESSORIES



OWNER'S MANUAL

PRE-ASSEMBLY



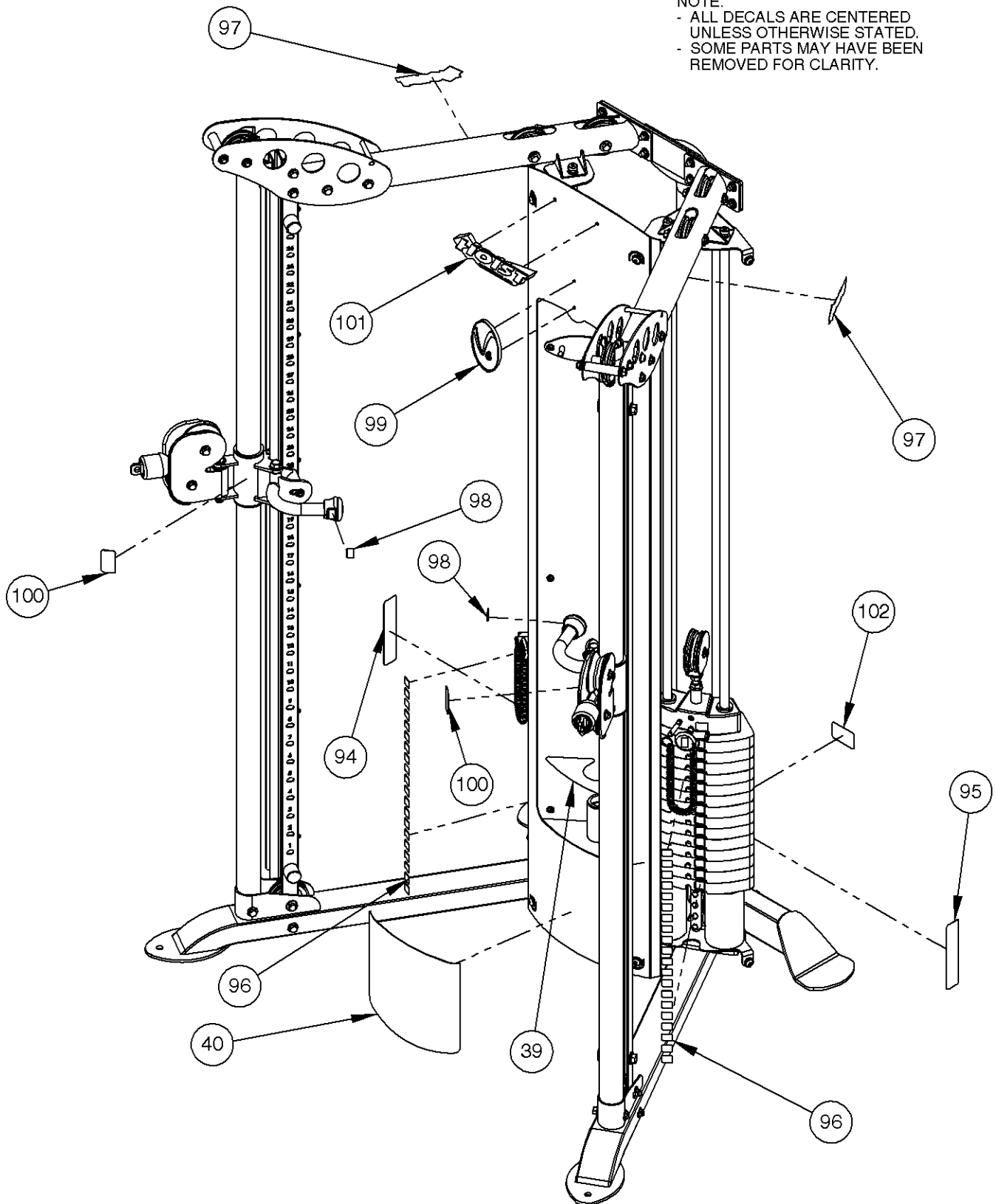
OWNER'S MANUAL

THIS PAGE WAS INTENTIONALLY LEFT BLANK

OWNER'S MANUAL

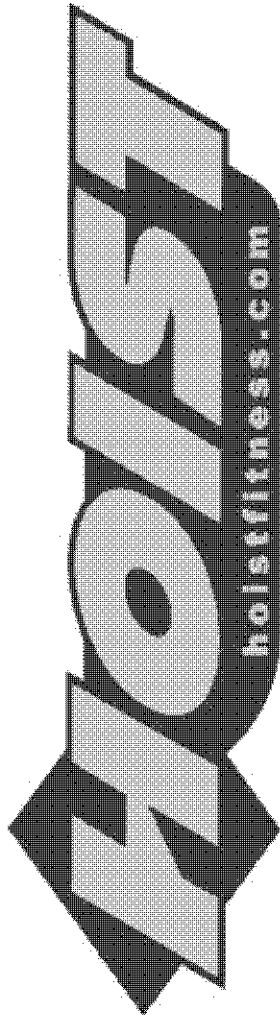
DECAL PLACEMENT

NOTE:
- ALL DECALS ARE CENTERED
UNLESS OTHERWISE STATED.
- SOME PARTS MAY HAVE BEEN
REMOVED FOR CLARITY.

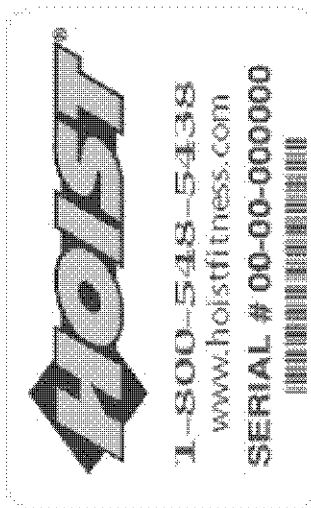


OWNER'S MANUAL

DECAL REFERENCE



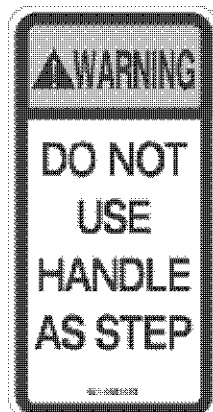
021-0003230



SERIAL # DECAL

NOTICE					
COMMERCIAL MAINTENANCE	Daily	Weekly	Monthly	3-Monthly	Yearly
Inspect: Links, Pul Pins, Snap Locks, Swivels, Weight Stack Pins	X				
Clean: Lubricatory	X				
Inspect: Cables or Belts and their terminals	X				
Inspect: Accessory Bars and Handles		X			
Inspect: All Decals		X			
Inspect: All nuts and Bolts Tighten if Needed		X			
Inspect: Anti-Skid Surfaces		X			
Clean & Lubricate, Guide Rods with a Teflon (PTFE) based lubricant (Superlube)			X		
Lubricate: Feet Sleeves, Turns Bushings, Linear Bearing			X		
Clean & Wax: All Glossy Finishes				X	
Repack with Grease Linear Bearing				X	
Replace: Cables, Belts and Connecting Parts					X

021-0003008



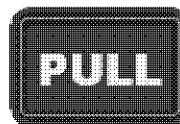
021-0003680

WARNING

USE ONLY GENUINE REPLACEMENT PARTS. FAILURE TO DO SO WILL VOID WARRANTY AND COULD RESULT IN PERSONAL INJURY OR EVEN DEATH. THERE IS A RISK ASSUMED BY INDIVIDUALS WHO USE THIS TYPE OF EQUIPMENT. TO MINIMIZE THE RISK ALWAYS FOLLOW THESE SIMPLE RULES.

1. READ & UNDERSTAND ALL ENCLOSED INSTRUCTIONS before using this equipment.
2. INSPECT EQUIPMENT BEFORE EACH USE. Replace all parts at the first signs of wear or damage. If in doubt about a certain part, DO NOT use the equipment until the part is replaced. Failure to replace worn or damaged parts may result in injury.
3. FOLLOW THE MAINTENANCE SCHEDULE.
4. CONSULT YOUR PHYSICIAN BEFORE STARTING ANY EXERCISE PROGRAM. Warm up properly before engaging in weight resistance training. Stop exercising if you feel faint or dizzy.
5. TO PREVENT THE POSSIBILITY OF SERIOUS INJURY, KEEP CLEAR OF ALL MOVING PARTS. Do not attempt to fix any jammed part by yourself. Obtain assistance in order to avoid possible injury.
6. Take your time and do not rush the exercise. Practice proper breathing. NEVER hold your breath.
7. CHILDREN SHOULD NOT BE ALLOWED TO USE THIS EQUIPMENT WITHOUT ADULT SUPERVISION. To avoid possible injury, bystanders should be kept at a safe distance when this equipment is in use.
8. CALL YOUR AUTHORIZED DISTRIBUTOR if you have any questions on the proper use or maintenance of this equipment.

021-0003135



021-0003426

- 1 11
- 2 12
- 3 13
- 4 14
- 5 15
- 6 16
- 7 17
- 8 18
- 9 19
- 10 20

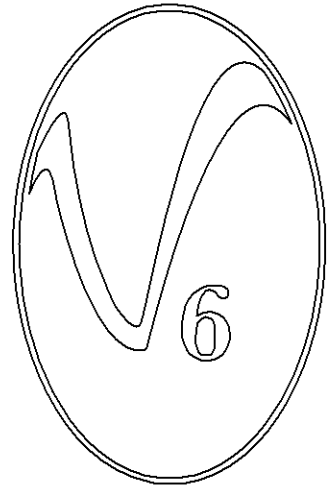
021-0003198

OWNER'S MANUAL

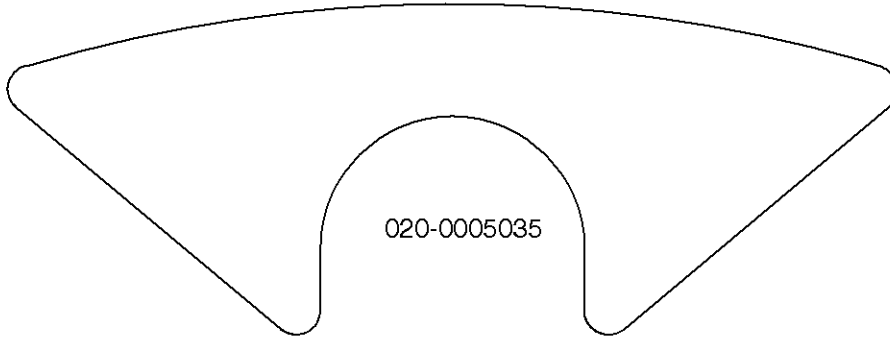
DECAL REFERENCE



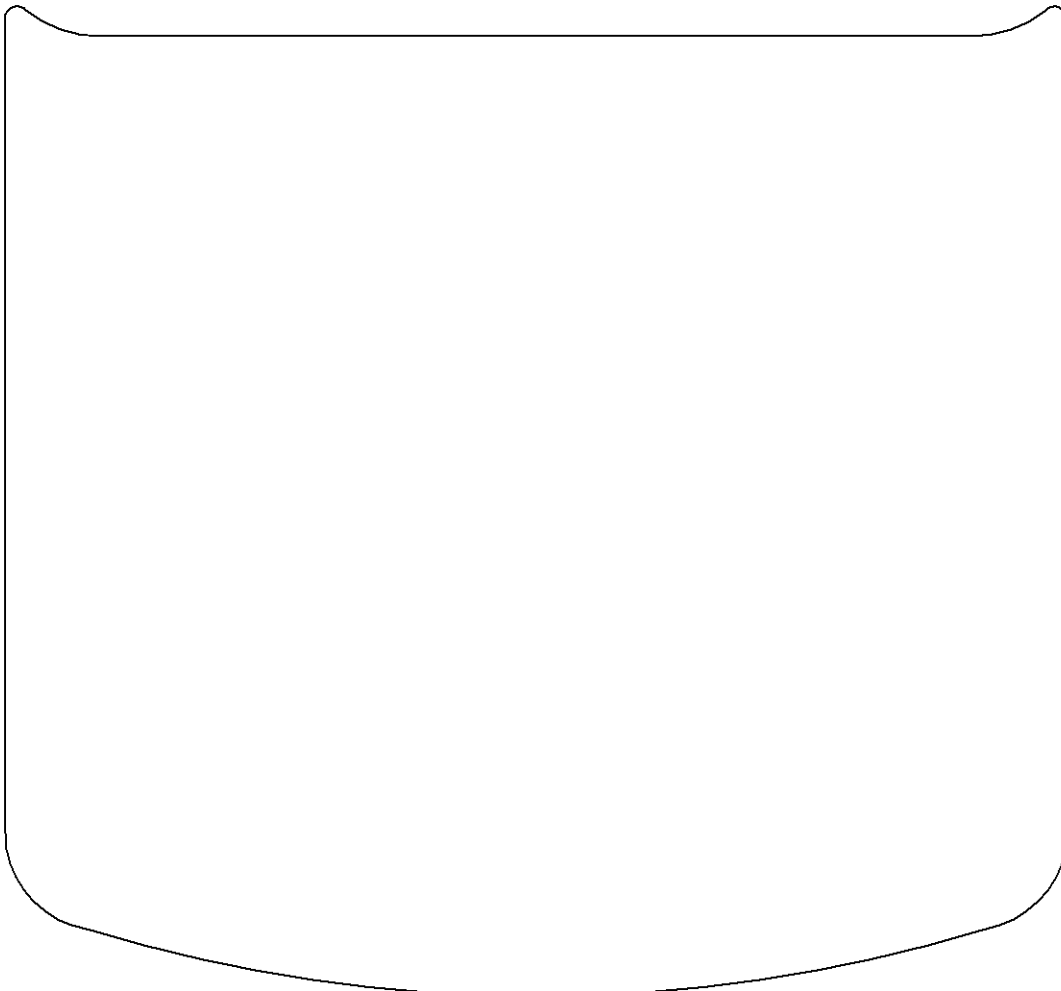
021-0018025



021-0003678



020-0005035



020-0005036

OWNER'S MANUAL

THIS PAGE WAS INTENTIONALLY LEFT BLANK

OWNER'S MANUAL

PART LIST

NOTE: SOME OF THESE PARTS MAY COME PRE-INSTALLED

ITEM NO.	PART NUMBER	DESCRIPTION	QTY.
1	010-0008001	LANYARD COIL	2
2	010-01C0381	CABLE ASSEMBLY: V6 SWIVEL 317.313" LG.	2
3	010-01C0379	CABLE ASSEMBLY: V HI-LO COUNTER WEIGHT 74" LG.	2
4	020-0003004	CHIN ASSIST 4" WIDE	1
5	026-01X1118	ALUMINUM CURL BAR ASSEMBLY	1
6	026-01X1121	ALUMINUM STRAIGHT BAR ASSEMBLY	1
7	026-01X1635	FLEECE KNEE STRAP WITH (3) D-RINGS ASSEMBLY	1
8	026-01X2039	RADIAL CAST WT.SELECTOR PIN ASSEMBLY	2
9	026-01X2358	ADJUSTABLE PULLEY MOUNT ASSEMBLY ϕ 3.50"	2
10	026-01X3379	CENTER SHIELD ASSEMBLY	1
11	026-01X3380	TOP TIE ASSEMBLY	1
12	026-01X3381	TOP TUBE ASSEMBLY, LEFT	1
13	026-01X3382	BASE ASSEMBLY, REAR	1
14	026-01X3383	BASE ASSEMBLY, RIGHT SIDE	1
15	026-01X3384	TOP TUBE ASSEMBLY, RIGHT	1
16	026-01X4057	STRAP HANDLE WITH (3) D-RINGS (LOWER) ASSEMBLY	2
17	026-01X5067	ADJUST LEVER ASSEMBLY	2
18	026-01X5069	HI-LO ADJUSTER ASSEMBLY	2
19	026-01X5091	GUIDE TUBE ASSEMBLY	2
20	026-01X5093	TOP HEAD ASSEMBLY	2
21	026-01X5095	CHIN UP BAR ASSEMBLY	1
22	026-01X5099	REAR UPRIGHTS ASSEMBLY	1
23	026-01X5100	BASE ASSEMBLY, LEFT SIDE	1
24	026-01X5101	HOOK PLATE ASSEMBLY	2
25	026-01X5102	ADJUSTER TUBE ASSEMBLY	2
26	026-01X5019	SWIVEL PULLEY HOUSING ASSEMBLY	2
27	010-0008002	LANYARD PIN	2
28	012-0202001	1/2"-13 FLANGED NUT (WZ)	4
29	013-0903007	3/8" PLASTIC WASHER O.D. 3/4" X .062" THICK	2
30	014-0003003	BEARING: FLANGED BALL BEARING ϕ .50" I.D.	4
31	014-0101002	BUSHING: OILITE FLANGED .75" O.D X .50" I.D X .38" LG.	4
32	014-0012012	BEARING: BALL BEARING, ϕ .39" I.D.	2
33	014-0015026	E-CLIP .31"	2
34	016-0101004-B	1.50" X 1.50" END CAP (BLACK)	2
35	018-0001001	PULLEY: 2" BLACK W/ CONV. GRADE BEARINGS	2
36	018-0001002	CABLE PULLEY: ϕ 3.50"	12
37	018-0002015	CABLE PULLEY: WIDE (BORED HUB) ϕ 3.50"	4
38	019-0001006	THICK RUBBER DONUT ϕ 3.00" X .50" BLACK	4
39	020-0005035	NON-SKID: V-6 SHELF COVER	1

OWNER'S MANUAL

PART LIST CONTINUED

NOTE: SOME OF THESE PARTS MAY COME PRE-INSTALLED

ITEM NO.	PART NUMBER	DESCRIPTION	QTY.
40	020-0005036	NON-SKID: V-6 FRONT SHIELD GUARD	1
41	020-0011009	SPRING	2
42	030-0303006	ROLL PIN ϕ 7/16" X 3.00" LG.	2
43	026-01G0405	GUIDE ROD: ϕ .75" CRS X 72.95" LG.	4
44	026-01M0128-1	PULL PIN CAP	2
45	026-01M0551	HEAVY FLANGED SPACER: .391" I.D. X 1.00" LG.	8
46	026-01M2343	COUNTER WIEGHT RING	4
47	026-01M2536	COUNTERWEIGHT (4.35 LB)	2
48	026-01M2555	HEAVY FLANGED SHOULDERED SPACER .86"OD X .39"ID	4
49	026-01M2561	QUICK RELEASE CABLE LOCK ϕ .34" ID	2
50	026-01M2562	QUICK RELEASE CABLE LOCK ϕ .26" ID	2
51	026-01M2564-3	PULL PIN: SHORT TAPERED END	2
52	026-01P6125	CHANNEL: 1.00" X 1.47" X 72.00" LG.	2
53	026-01P6154	SHIELD, RIGHT	1
54	026-01P6155	SHIELD, LEFT	1
55	026-01PL0134	GUIDE ROD BUSHING	4
56	026-01PL0206-27	GRIP OPEN END ϕ 1.00" ID X 7.00" LG.	2
57	026-01PL0269	CAST WEIGHT BUSHING	56
58	026-01PL0369	WEIGHT STAND OFF	4
59	026-01PL0371	DELRIN BUSHING	1
60	026-01PL2154	PLASTIC KNOB: BASE ϕ 1.00" ID	2
61	026-01PL2155	PLASTIC KNOB: CAP ϕ 1.00" ID	2
62	026-01PL2201	ϕ .749" O.D. PLASTIC SLEEVE	4
63	026-01PL2417	PLASTIC STOP: ϕ 1.25" OD X 1.25" LG.	4
64	026-01PL2418	BUSHING: FLANGED 2.28" OD X 2.03" ID X 1.00" LG.	4
65	026-01PL2425	.125" ABS PLASTIC (BLACK)	1
66	026-01W0139	21 HOLE STEM	2
67	026-01W0142	10 LBS. INTERMEDIATE RADIAL LOC WEIGHT PLATE	28
68	026-STD-SWTOP9	CAST RADIAL TOP WEIGHT	2
69	013-0002003	1/4" X 16mm SAE FLAT WASHER (WZ)	34
70	013-0402007	3/8" X 22mm FLAT WASHER (WZ)	104
71	013-0102003	1/2" X 27mm SAE FLAT WASHER (WZ)	12
72	013-0102022	3/8" INTERNAL LOCK WASHER	18
73	013-0302014	1/2" INTERNAL LOCK WASHER	4
74	013-0102020	3/8" SPLIT LOCK WASHER (WZ)	4
75	011-0102008	1/4"-20UNC X .75" BHCS (WZ)	10
76	011-0102064	1/4"-20UNC x 2.00" FHB (WZ)	12
77	011-0101026	3/8"-16UNC X 1.00" BHCS (WZ)	16
78	011-0407022	3/8"-16UNC X 1.00" HHB (WZ)	4
79	011-0101034	3/8"-16UNC X 1.25" BHCS (WZ)	2

OWNER'S MANUAL

PART LIST CONTINUED

NOTE: SOME OF THESE PARTS MAY COME PRE-INSTALLED

ITEM NO.	PART NUMBER	DESCRIPTION	QTY.
80	011-0107037	3/8"-16UNC X 1.25" HHB (WZ)	8
81	011-0407027	3/8"-16UNC X 1.75" HHB (WZ)	6
82	011-0107026	3/8"-16UNC X 2.25" HHB (WZ)	4
83	011-0007050	3/8"-16UNC X 2.75" HHB (WZ)	6
84	011-0407026	3/8"-16UNC X 3.00" HHB (WZ)	6
85	011-0107051	3/8"-16UNC X 3.50" HHB (WZ)	6
86	011-0107018	3/8"-16UNC X 3.75" HHB (WZ)	8
87	011-0407025	3/8"-16UNC X 4.00" HHB (WZ)	4
88	011-0407043	1/2"-13UNC X 2.25" HHB (WZ)	4
89	011-0107038	1/2"-13UNC X 4.25" HHB (WZ)	4
90	011-0112002	1/2" X .500" SHSS (WZ)	4
91	012-0104009	1/4"-20 UNC THIN NYLOCK NUT (WZ)	24
92	012-0104008	3/8"-16 UNC THIN NYLOCK NUT (WZ)	48
93	012-0304011	1/2"-13 UNC THIN NYLOCK NUT (WZ)	4
94	021-0003008	DECAL COMMERCIAL MAINTENANCE 1.50" X 6.69"	1
95	021-0003135	DECAL WARNING 1.50" X 6.69"	1
96	021-0003198	DECAL 200 lb RADIAL WEIGHT STACK # (1-20)	2
97	021-0003230	DECAL HOIST 1.63" X 5.93"	2
98	021-0003426	DECAL PULL	2
99	021-0003678	DECAL V6 BADGE	1
100	021-0003680	DECAL DO NOT USE HANDLE AS STEP	2
101	021-0018025	DECAL HOISTFITNESS.COM LOGO CURVED	1
102	SERIAL # DECAL	DECAL HOIST SERIAL # 1.63" X 2.63"	1
103	014-0015033	EXTERNAL RETAINING RING .44"	4
104	013-0302008	5/16" SAE FLAT WASHER (WZ)	2
105	020-0010002	SNAP LINK	2
106	026-01PL2427	VINYL SLEEVE ϕ .50" OD X .38" ID	2
107	013-0102032	1/8" FLAT WASHER (WZ)	2
108	011-0115004	1/8"-SELF TAPPING FHCS (WZ)	2

OWNER'S MANUAL

ABBREVIATIONS

BZ = Black Zinc

WZ = White Zinc

HHB = Hex Head Bolt

FHCS = Flat Head Cap Screw

BHCS = Button Head Cap Screw

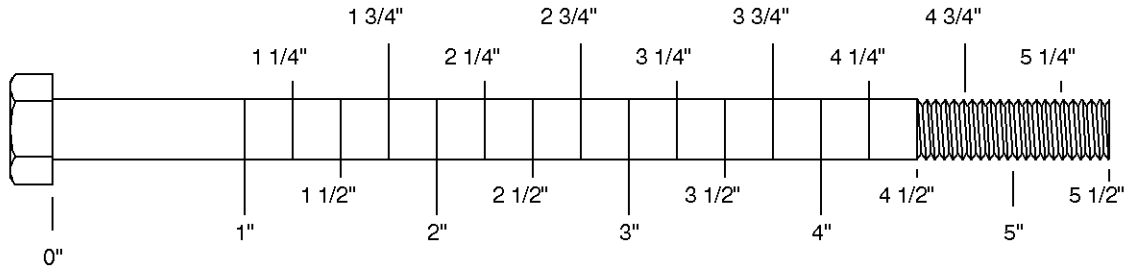
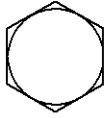
SHCS = Socket Head Cap Screw

SHSS = Socket Head Shoulder Screw

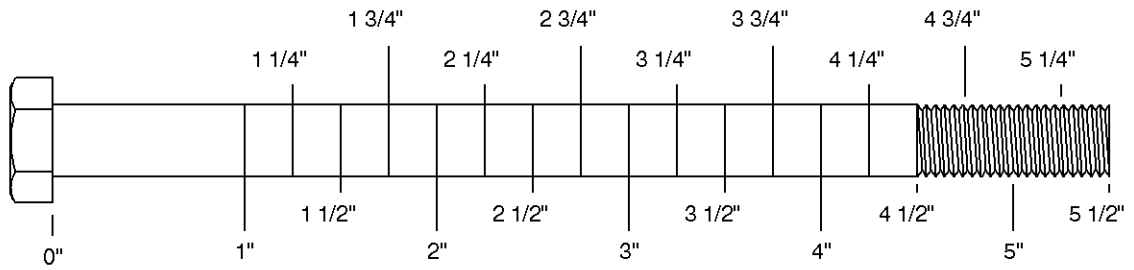
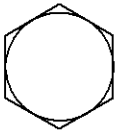
OWNER'S MANUAL

BOLT SIZING CHART

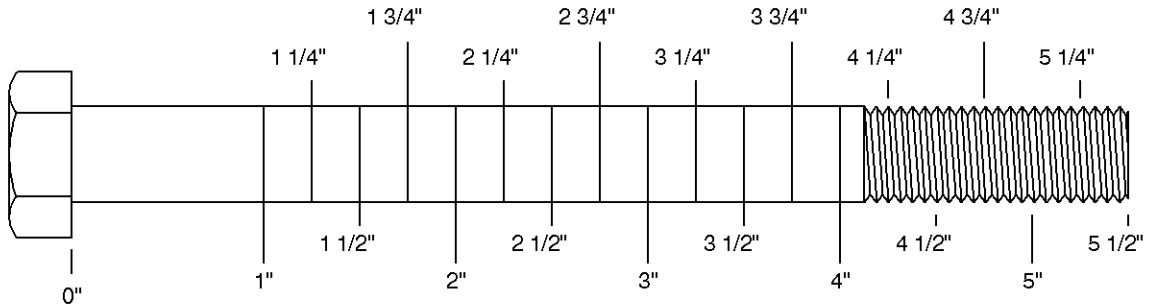
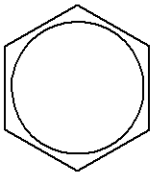
5/16" HHB



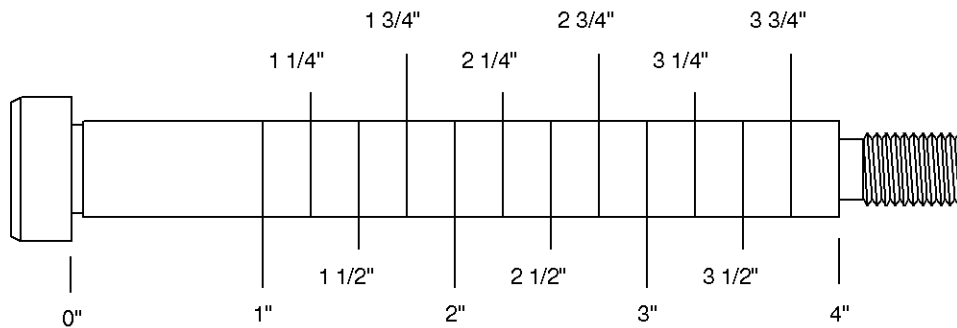
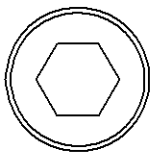
3/8" HHB



1/2" HHB

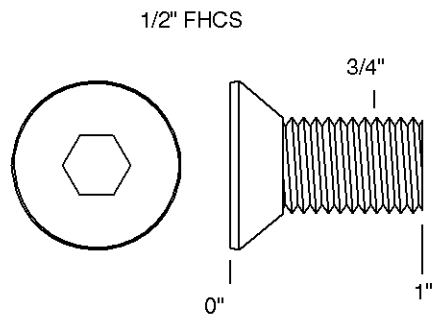
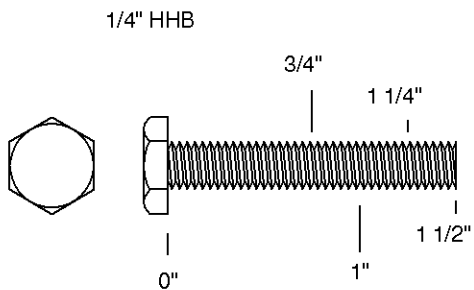
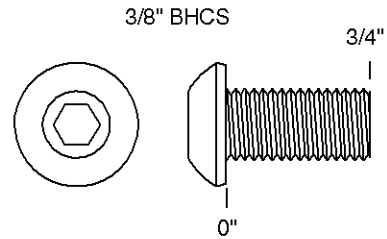
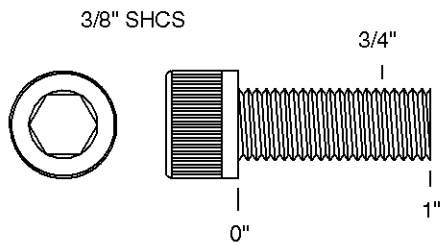
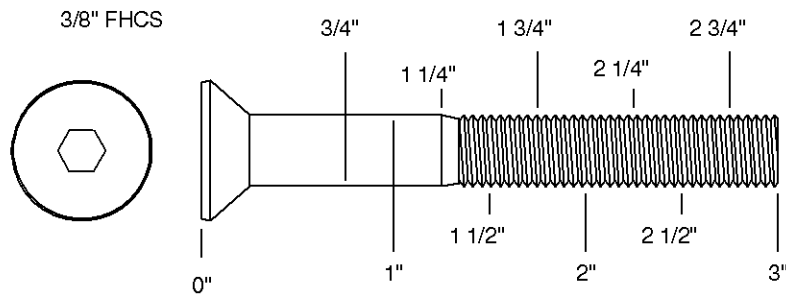


1/2" SHSS



OWNER'S MANUAL

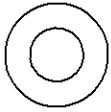
BOLT SIZING CHART (CONTINUED)



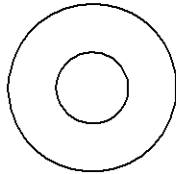
OWNER'S MANUAL

WASHER SIZING CHART

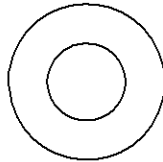
013-0002003
1/4"
FLAT WASHER
SMALL, SAE, 13mm



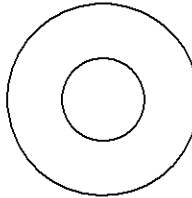
013-0102004
5/16"
FLAT WASHER
LARGE, USS, 22mm



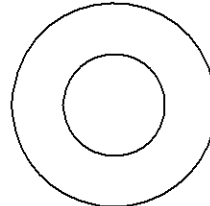
013-0002004
3/8"
FLAT WASHER
SMALL, SAE, 21mm



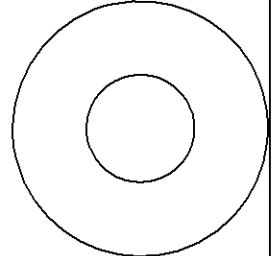
013-0402005
3/8"
FLAT WASHER
LARGE, USS, 25mm



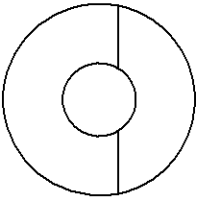
013-0102003
1/2"
FLAT WASHER
SMALL, SAE, 27mm



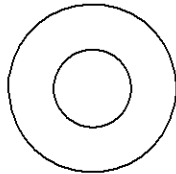
013-0102026
1/2"
FLAT WASHER
LARGE, USS, 34mm



013-0102028
3/8"
CURVED WASHER



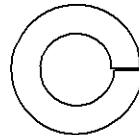
013-0402007
3/8"
FLAT WASHER
22mm O.D.



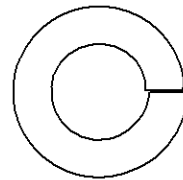
013-0102019
1/4"
LOCK WASHER



013-0102020
3/8"
LOCK WASHER



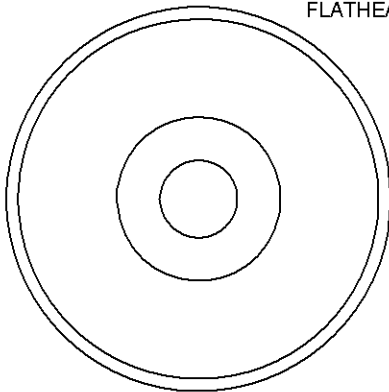
013-0102018
1/2"
LOCK WASHER



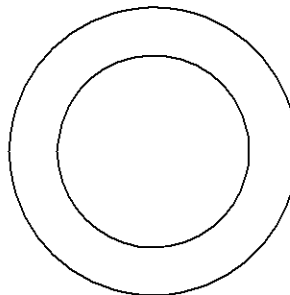
014-0018001
1/2" LONG
SPACER



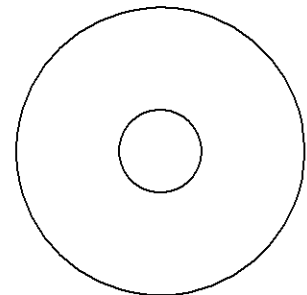
026-01M0238
2" ALUMINUM
FLATHEAD CAP



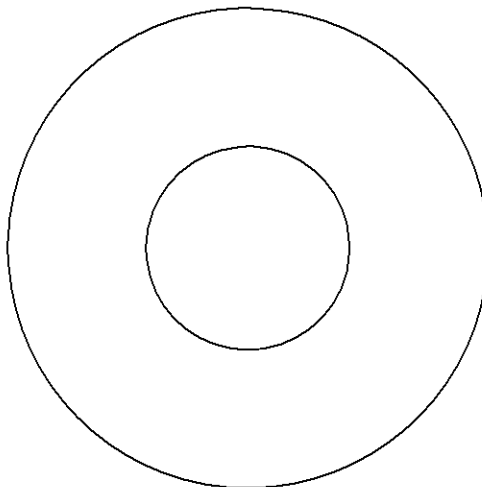
016-0009003
1" SHIM WASHER



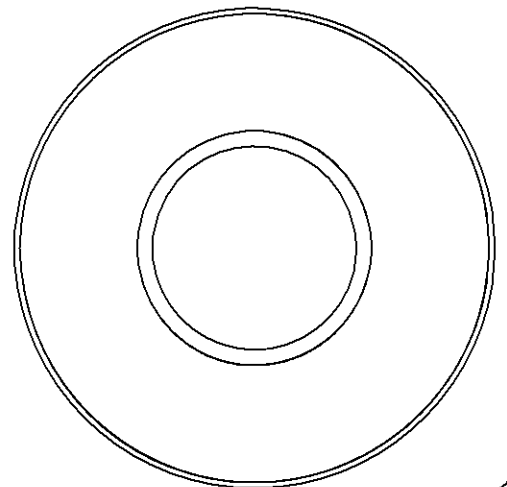
013-0003002
3/8" FENDER WASHER



013-0003004
1 1/16"
FENDER WASHER



026-01PL151
PLASTIC 1 1/16"
FENDER WASHER



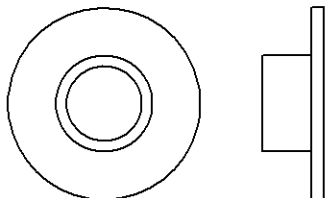
014-0018002
1" LONG
SPACER



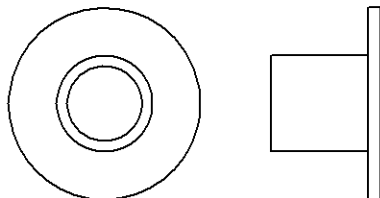
OWNER'S MANUAL

WASHER SIZING CHART (CONTINUED)

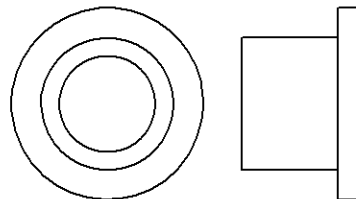
026-01M0211
1/4" LONG
FLANGED SPACER



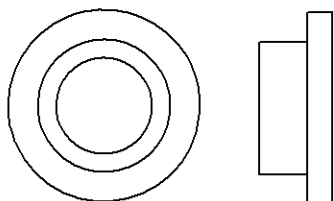
026-01M0198
1/2" LONG
FLANGED SPACER



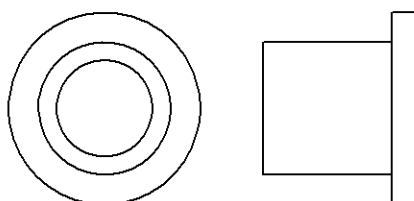
026-01M0760
1/2" LONG HEAVY
FLANGED SPACER



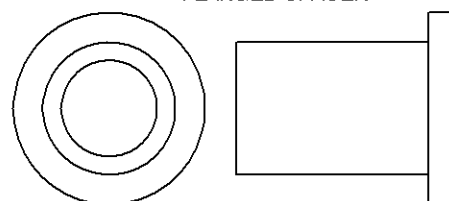
026-01M211T
1/4" LONG HEAVY
FLANGED SPACER



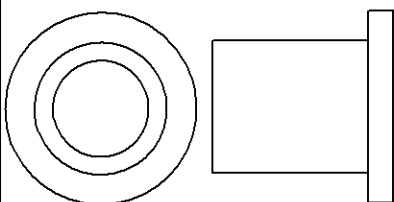
026-01M0532
11/16" LONG HEAVY
FLANGED SPACER



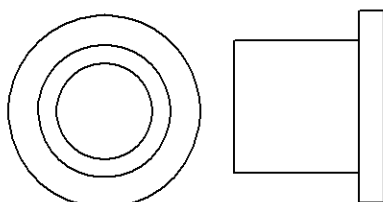
026-01M0551
1" LONG HEAVY
FLANGED SPACER



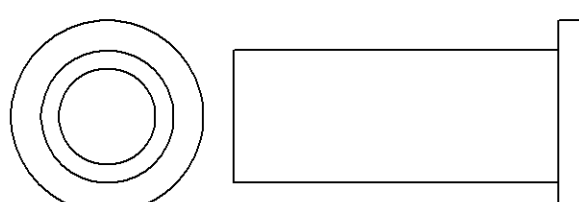
026-01M0788
.81" LONG HEAVY
FLANGED SPACER



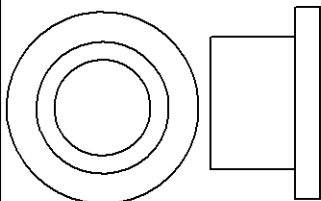
026-01M0780
.65" LONG HEAVY
FLANGED SPACER



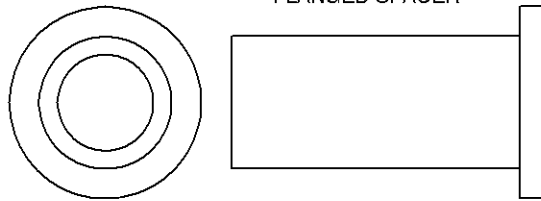
026-01M0761
1 11/16" LONG HEAVY
FLANGED SPACER



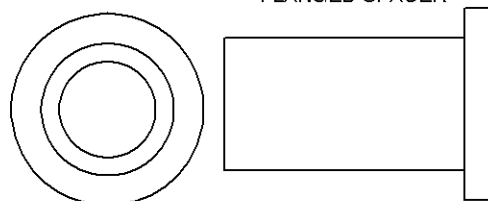
026-01M0789
.44" LONG HEAVY
FLANGED SPACER



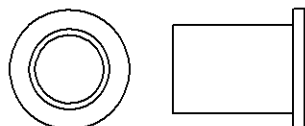
026-01M0762
1 1/2" LONG HEAVY
FLANGED SPACER



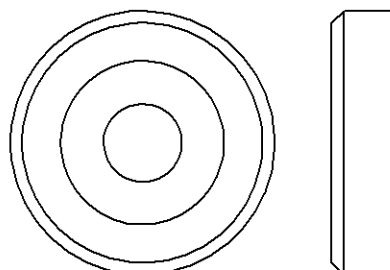
026-01M0768
1 1/4" LONG HEAVY
FLANGED SPACER



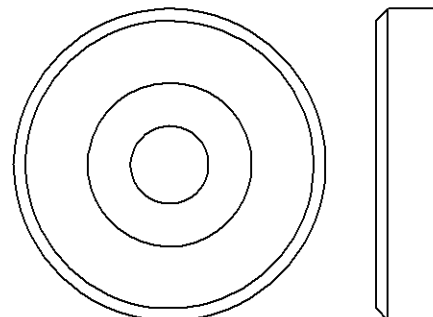
026-01M0600
.625" LONG
FLANGED SPACER



026-01M0240
1 3/8" ALUMINUM
FLATHEAD CAP



026-01M0239
1 5/8" ALUMINUM
FLATHEAD CAP



OWNER'S MANUAL

MAINTENANCE SCHEDULE

ROUTINE	COMMERCIAL MAINTENANCE	HOME MAINTENANCE	LATEST DATE ENTRY																	
Inspect; Links, Pull Pins, Snap Locks, Swivels, Weight Stack Pins	DAILY	WEEKLY																		
Clean; Upholstery	DAILY	WEEKLY																		
Inspect; Cables or Belts and their tension	DAILY	WEEKLY																		
Inspect; Accessory Bars, and Handles	WEEKLY	3 MONTHS																		
Inspect; All Decals	WEEKLY	3 MONTHS																		
Inspect; All Nuts and Bolts, Tighten if needed	WEEKLY	3 MONTHS																		
Inspect; Anti-Skid Surface	WEEKLY	3 MONTHS																		
Clean & Lubricate; Guide Rods with a Teflon (PTFE) based lubricant (Superlube)	MONTHLY	3 MONTHS																		
Lubricate; Seat Sleeves, Turcite Bushings, Linear Bearing	MONTHLY	3 MONTHS																		
Clean and Wax; All Glossy Finishes	6 MONTHS	YEARLY																		
Repack with Grease; Linear Bearings	6 MONTHS	YEARLY																		
Replace; Cables, Belts and Connecting Parts	YEARLY	3 YEARS																		

*Your equipment comes with a commercial maintenance decal.
For personal, in home use, please follow the home maintenance schedule listed above.*

OWNER'S MANUAL

HOIST FITNESS SYSTEMS **GENERAL MAINTENANCE INFORMATION**

Links, Pull-Pins, Snap Hooks, Swivels, Weight Stack Pins:

- *Check all pieces for signs of visible wear or damage.
- *Check springs in snap hooks and pull-pins for proper tension and alignment.
- *If the spring sticks or has lost its rigidity, replace it immediately.

Upholstery:

- *To ensure prolonged upholstery life and proper hygiene, all upholstered pads should be wiped down with a damp cloth after every workout.
- *Periodically take the time to use a mild soap or an approved vinyl upholstery cleaner to deter the onset of cracking or drying. Avoid using any abrasive cleaners or cleaners not intended for use on vinyl.
- *Replace ripped or worn upholstery immediately.
- *Keep sharp or pointed objects clear of all upholstery.

Decals:

- *Inspect and familiarize yourself with any safety warnings or other user information posted on each decal.

Nuts and Bolts:

- *Inspect all nuts and bolts for any loosening and tighten if needed.
- *Go through a re-tightening sequence periodically to ensure that all hardware is tensioned proper.

Anti-Skid Surfaces:

- *These surfaces are designed to supply secure footing and need to be replaced if they appear worn or become slippery.

Belts and Cables:

- *Hoist uses only high quality belt, and mil-spec cables.
- *Visually inspect the belts and cables for fraying, cracking, peeling or discoloration.
- *While the machine is not in use, carefully run your fingers along the belt or cable to feel for thinning or bulging areas.
- *Replace belts and cables immediately at the first signs of damage or wear. Do not use equipment until belts or cables have been replaced.

Belt and Cable Tension:

- *Referring to the Owners Manual, when belts or cables are used check all bolts attachments to be sure they are properly attached.
- *Check slack in cables and re-adjust cable tension if needed.

Seat Sleeves, Guide Rods:

- *Wipe down adjusting tubes with a dust free rag before applying lubricant.
- *Lubricate seat sleeves and Guide Rods with a Silicon or Teflon based lubricant spray.

Linear Bearings:

- *Referring to the Owners Manual carefully disassemble the bearing from its housing and place a finger full of light grease (lithium, super lube, etc.) into the inside of the bearing. Using your finger, press the grease into the ball-bearings and their tracks. repeat until the ball-bearing tracks are full of grease. Insert the shaft back into the bearing and wipe off excess grease.

PLEASE KEEP THIS FOR YOUR RECORDS

OWNER'S MANUAL

WEIGHT TRAINING TIPS

Use this manual to guide you through the basic exercises you can perform on your V-6 HOIST® Fitness System. To gain maximum results and avoid possible injury, consult a fitness professional to develop your complete exercise program.

Always consult your physician before starting any exercise program.

To be successful in your exercise program, it is important to develop an understanding of the basic principles of strength training. Now that you have your V-6 HOIST® Fitness System, it is only natural that you want to get started immediately. First, determine a set of realistic goals and objectives for yourself. By deciding on an exercise plan that is right for you prior to starting, you will contribute significantly to your success.

Warm up properly before engaging in weight resistance training. Stretching, yoga, jogging, calisthenics or other cardiovascular exercise can help prepare your body for the heavier workload of lifting weights.

Learn how to perform the exercise correctly before using heavy weight. Correct form is important to avoid injury and to ensure that you work the proper muscle groups.

Know your limitations. If you are new to weight training or are embarking on an exercise regimen after a long layoff, start slowly and build foundational strength over a longer period of time.

Pay attention to your breathing. Exhale when you exert is a general rule of thumb. Never hold your breath.

Enjoy your V-6 HOIST® Fitness System!

OWNER'S MANUAL

THIS PAGE WAS INTENTIONALLY LEFT BLANK

OWNER'S MANUAL

HOIST FITNESS SYSTEMS **LIMITED LIFETIME WARRANTY**

Hoist Fitness Systems warrants this product to the **original purchaser** to be free from defects in workmanship and/or materials under normal use or service. If at any time a component part is defective, Hoist Fitness Systems shall repair or replace it (at Hoist Fitness Systems option) within a reasonable period of time. This warranty does not cover costs of removal, transportation or reinstallation. This warranty shall not apply if the defect was caused by misuse, neglect or normal wear and tear.

WARRANTY CLAIMS. All claims require: Model number, Serial number, Date of installation, and any information supporting the existence of the alleged defect.

To complete Warranty Registration visit:
www.HOISTFITNESS.com
and click on the Warranty Registration link

Starting from the original date of purchase, normal wear and tear shall be considered as the following:

COMMERCIAL USE: All malfunctions of upholstery, grips, paint, and chrome that occur after one year; all malfunctions of electronic components, belts, or cables after one year; all malfunctions of pulleys, bearings, or bushings that occur after five years. The frame and all welded components are warranted for the life of the product.

HOME USE: All malfunctions of grips, paint, and chrome that occur after ten years; all malfunctions of electronic components, belts, cables, or upholstery that occur after ten years; all malfunctions of pulleys, bearings, or bushings that occur after ten years. The frame and all welded components are warranted for the life of the product.

PLEASE NOTE THAT NOT ALL HOIST PRODUCTS ARE MADE FOR COMMERCIAL USE.

Refer to the instructions page of your owners manual or consult with you fitness product dealer to establish if a product is made for commercial use or not. Using a non-commercial product in a commercial setting can result in serious injury or death!

Hoist Fitness Systems sole responsibility shall be to repair or replace the component within the terms stated above. Hoist Fitness Systems shall not be liable for any loss or damage of any kind including any incidental or consequential damages resulting, directly or indirectly from any warranty expressed or implied or any other failure of this product.

WHAT IS NOT COVERED BY THIS WARRANTY

Hoist's sole obligation under this warranty is limited to either repair or replacement of parts, subject to the additions below. This warranty neither assumes nor authorizes any person to assume obligations other than expressly covered by this warranty.

NO CONSEQUENTIAL DAMAGES. Hoist is not responsible for economic loss; profit loss; or special, indirect, or consequential damages.

WARRANTY IS NOT TRANSFERABLE. This warranty is not assignable and applies only in favor of the original purchaser/user to whom delivered. Any such assignment or transfer shall void the warranties herein made and shall void all warranties, expressed, implied or statutory, except the one (1) and five (5) year warranties described above. These warranties are exclusive and in lieu of all other warranties, including implied warranty and merchantability or fitness for a particular purpose. There are no warranties which extend beyond the description on the face hereof.

TRANSPORTATION COSTS. Hoist will accept parts covered under this warranty freight collect, provided that shipment has received prior approval. Hoist is not responsible for any other transportation costs, but will ship freight collect parts either repaired or replaced under these warranties.

Hoist Fitness Systems
9990 Empire St. #130
San Diego, CA. 92126
(800)548-5438

PLEASE KEEP THIS FOR YOUR RECORDS