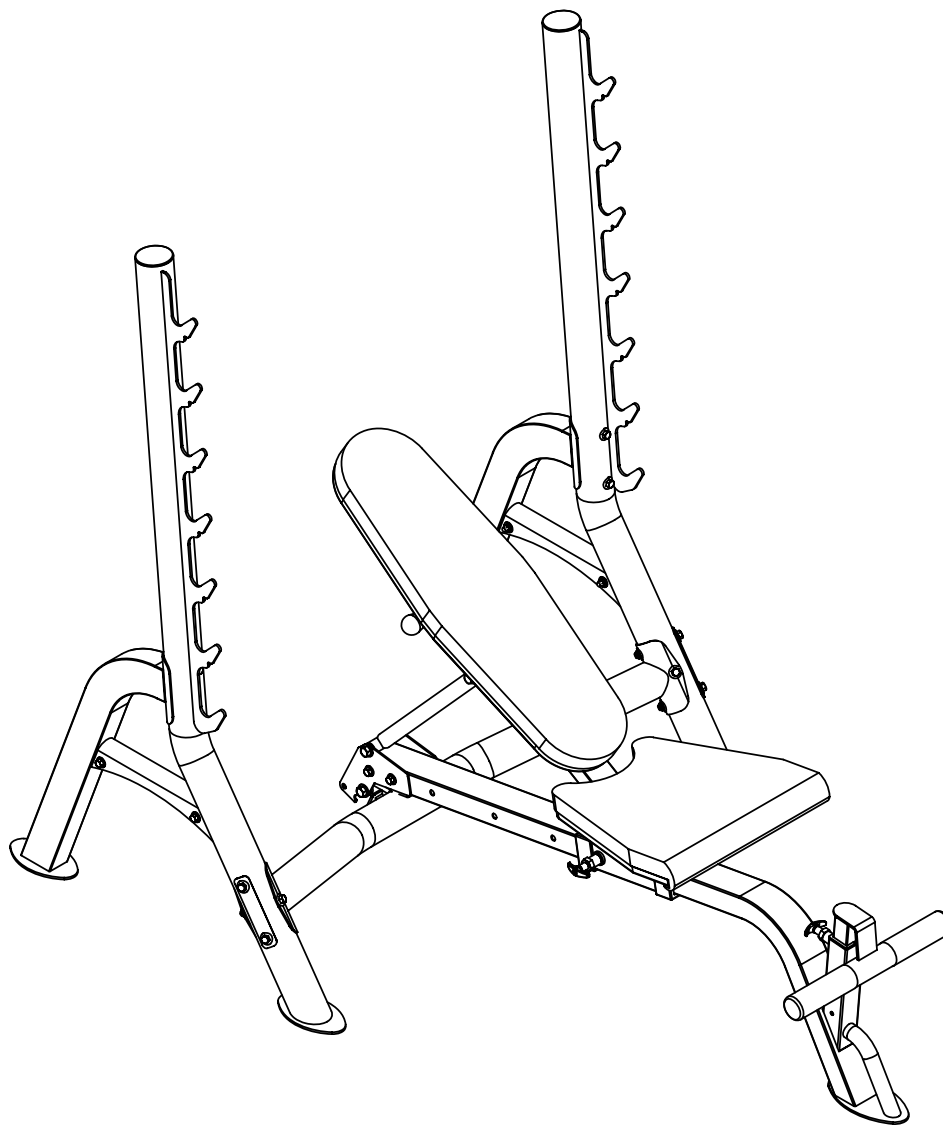


# OWNERS MANUAL

# HOLIST

**HF4170**

**FOLD - UP OLYMPIC COMBO BENCH**



**Note: Both Serial Number and Model Number are Required when Ordering Parts**

**RECORD SERIAL NUMBER HERE**

**CATALOG NUMBER**

1005 - 001

**Customer Service**

**(800) 548-5438**

**(858) 578-7676**

**Fax**

**(858) 578-9558**

# OWNERS MANUAL

## CONTENTS

INSTRUCTIONS .....	02
FRAME ASSEMBLY .....	04
PRE-ASSEMBLY.....	23
DECAL PLACEMENT.....	25
PART LIST.....	29
ABBREVIATION LISTING.....	32
BOLT SIZING CHART.....	33
WASHER SIZING CHART.....	35
MAINTENANCE SCHEDULE.....	37
GENERAL MAINTENANCE INFORMATION.....	38
WEIGHT TRAINING TIPS.....	40
EXERCISE LOG.....	41
LIMITED WARRANTY.....	42

# **OWNERS MANUAL**

## **INSTRUCTIONS**

Before beginning assembly please take the time to read instructions thoroughly. Please use the various lists in this manual to make sure that all parts have been included in your shipment. When ordering, use part number and description from the lists. Use only HOIST replacement parts when servicing. Failure to do so will void your warranty and could result in personal injury.

HOIST equipment is designed to provide the smoothest, most effective exercise motion possible. After assembly, you should check all functions to ensure correct operation. If you experience problems, first recheck the assembly instructions to locate any possible errors made during assembly. If you are unable to correct the problem, call your authorized HOIST dealer. Be sure to have your serial number and this manual when calling. When all parts have been accounted for, continue on.

## **TOOLS REQUIRED**

**Socket Wrench**

**1/2", 9/16" and 3/4" Sockets**

**Crescent Wrench**

**Rubber Mallet**

**Tape Measure**

**Level**

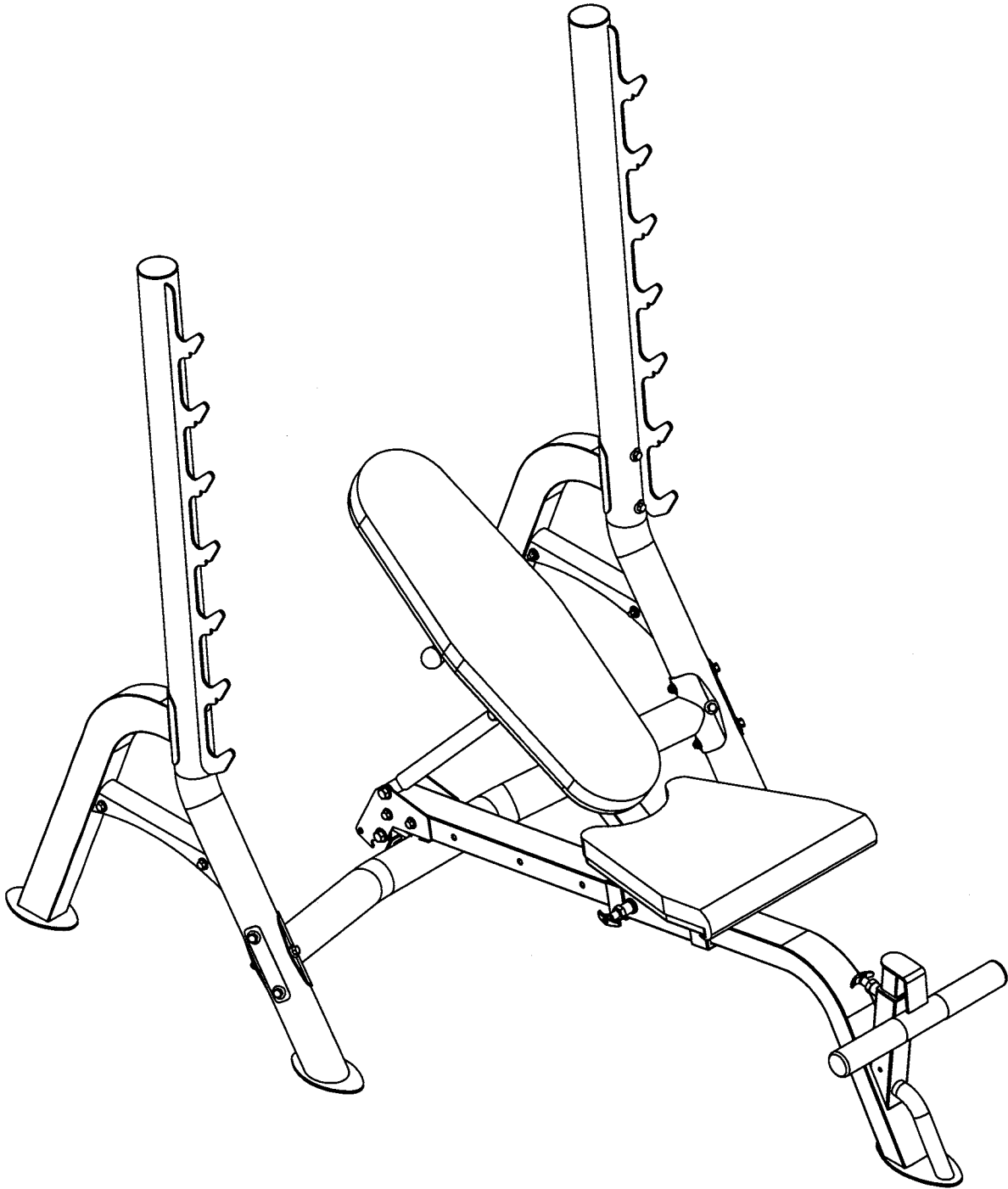
**Allen Wrench Set**

# OWNERS MANUAL



# OWNERS MANUAL

## FRAME ASSEMBLY



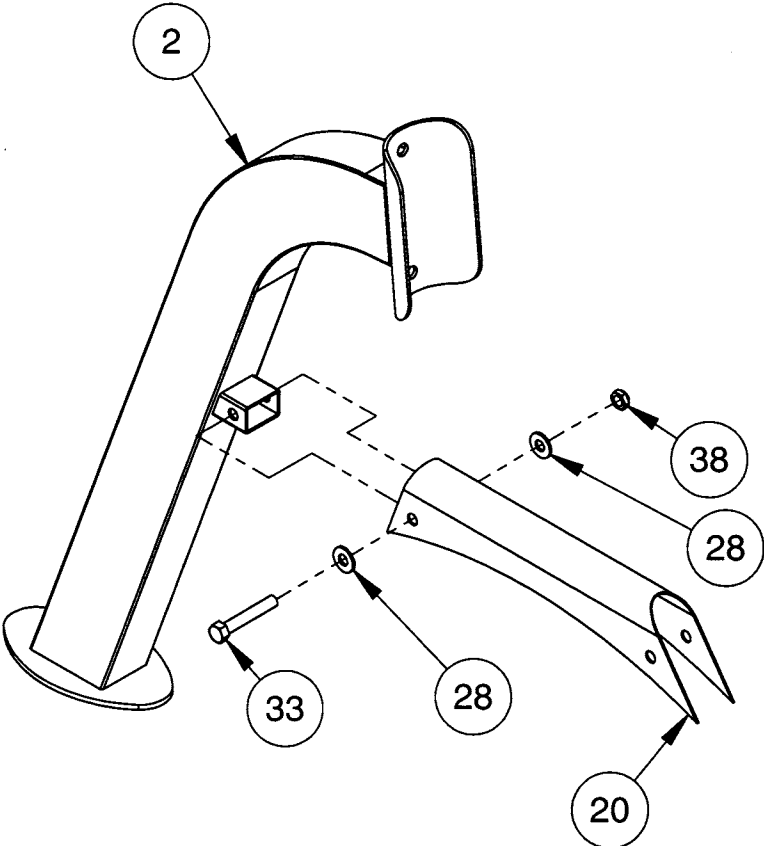
# OWNERS MANUAL

## FRAME ASSEMBLY STEP 1

ITEM NO.	PART NUMBER	DESCRIPTION
2	026-01X2475	REAR FOOT ASSEMBLY
20	026-01P2323	SIDE CROSS-MEMBER
28	013-0402007	3/8" X 22mm FLAT WASHER (WZ)
33	011-0107026	3/8"-16UNC X 2.25" HHB (WZ)
38	012-0104008	3/8"-16UNC THIN NYLOCK NUT (WZ)

# OWNERS MANUAL

NOTE:  
- HAND TIGHTEN BOLT.



# OWNERS MANUAL

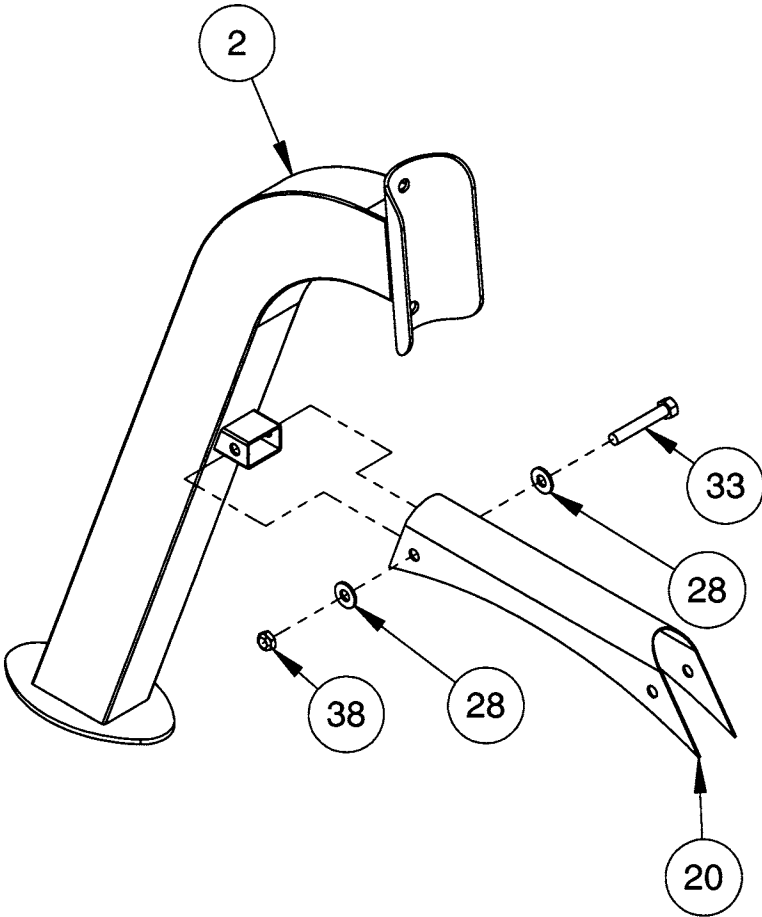
## FRAME ASSEMBLY STEP 2

ITEM NO.	PART NUMBER	DESCRIPTION
2	026-01X2475	REAR FOOT ASSEMBLY
20	026-01P2323	SIDE CROSS-MEMBER
28	013-0402007	3/8" X 22mm FLAT WASHER (WZ)
33	011-0107026	3/8"-16UNC X 2.25" HHB (WZ)
38	012-0104008	3/8"-16UNC THIN NYLOCK NUT (WZ)



# OWNERS MANUAL

NOTE:  
- HAND TIGHTEN BOLT.  
- SOME PARTS MAY HAVE BEEN  
REMOVED FOR CLARITY.



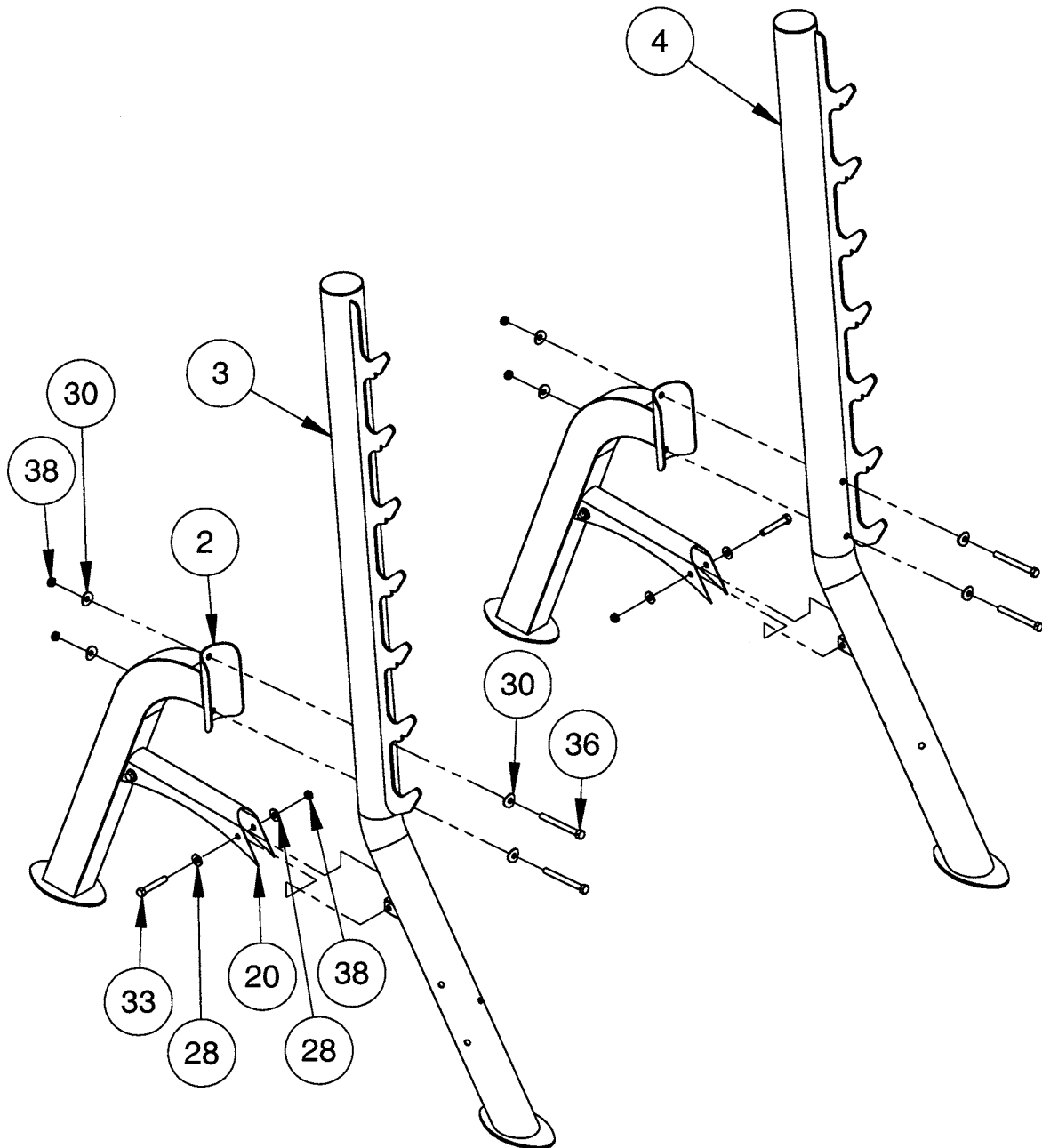
# OWNERS MANUAL

## FRAME ASSEMBLY STEP 3

ITEM NO.	PART NUMBER	DESCRIPTION
2	026-01X2475	REAR FOOT ASSEMBLY
3	026-01X2474	UPRIGHT ASSEMBLY (LEFT)
4	026-01X2535	UPRIGHT ASSEMBLY (RIGHT)
20	026-01P2323	SIDE CROSS-MEMBER
28	013-0402007	3/8" X 22mm FLAT WASHER (WZ)
30	013-0102028	3/8" CURVED WASHER (WZ)
33	011-0107026	3/8"-16UNC X 2.25" HHB (WZ)
36	011-0407018	3/8"-16UNC X 3.75" HHB (WZ)
38	012-0104008	3/8"-16UNC THIN NYLOCK NUT (WZ)

# OWNERS MANUAL

NOTE:  
- HAND TIGHTEN BOLTS.



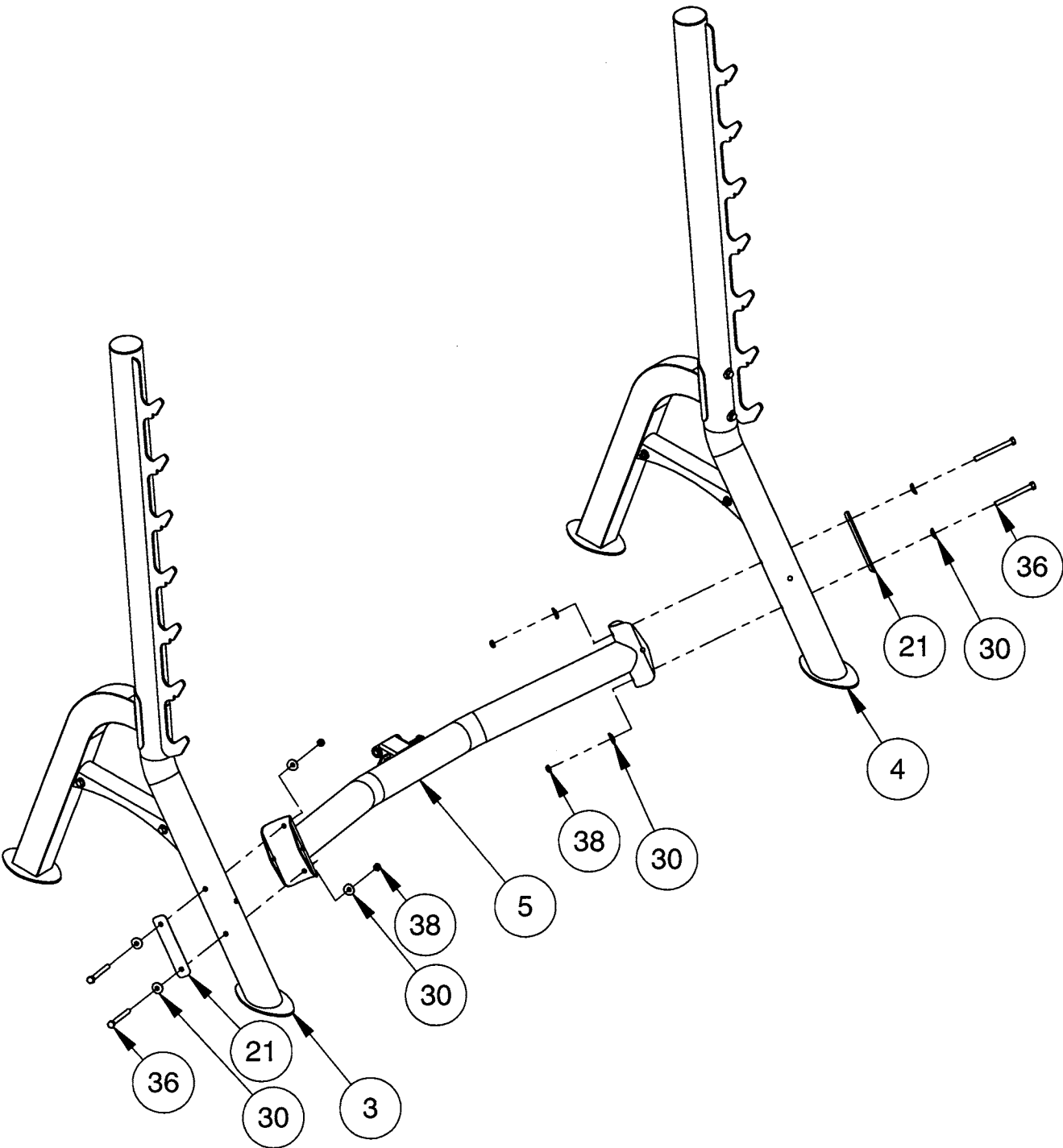
# OWNERS MANUAL

## FRAME ASSEMBLY STEP 4

ITEM NO.	PART NUMBER	DESCRIPTION
3	026-01X2474	UPRIGHT ASSEMBLY (LEFT)
4	026-01X2535	UPRIGHT ASSEMBLY (RIGHT)
5	026-01X2423	CROSSMEMBER ASSEMBLY
21	026-01P2419	1.25" X 6.00" BACKING PLATE
30	013-0102028	3/8" CURVED WASHER (WZ)
36	011-0407018	3/8"-16UNC X 3.75" HHB (WZ)
38	012-0104008	3/8"-16UNC THIN NYLOCK NUT (WZ)

# OWNERS MANUAL

NOTE:  
- HAND TIGHTEN BOLTS.



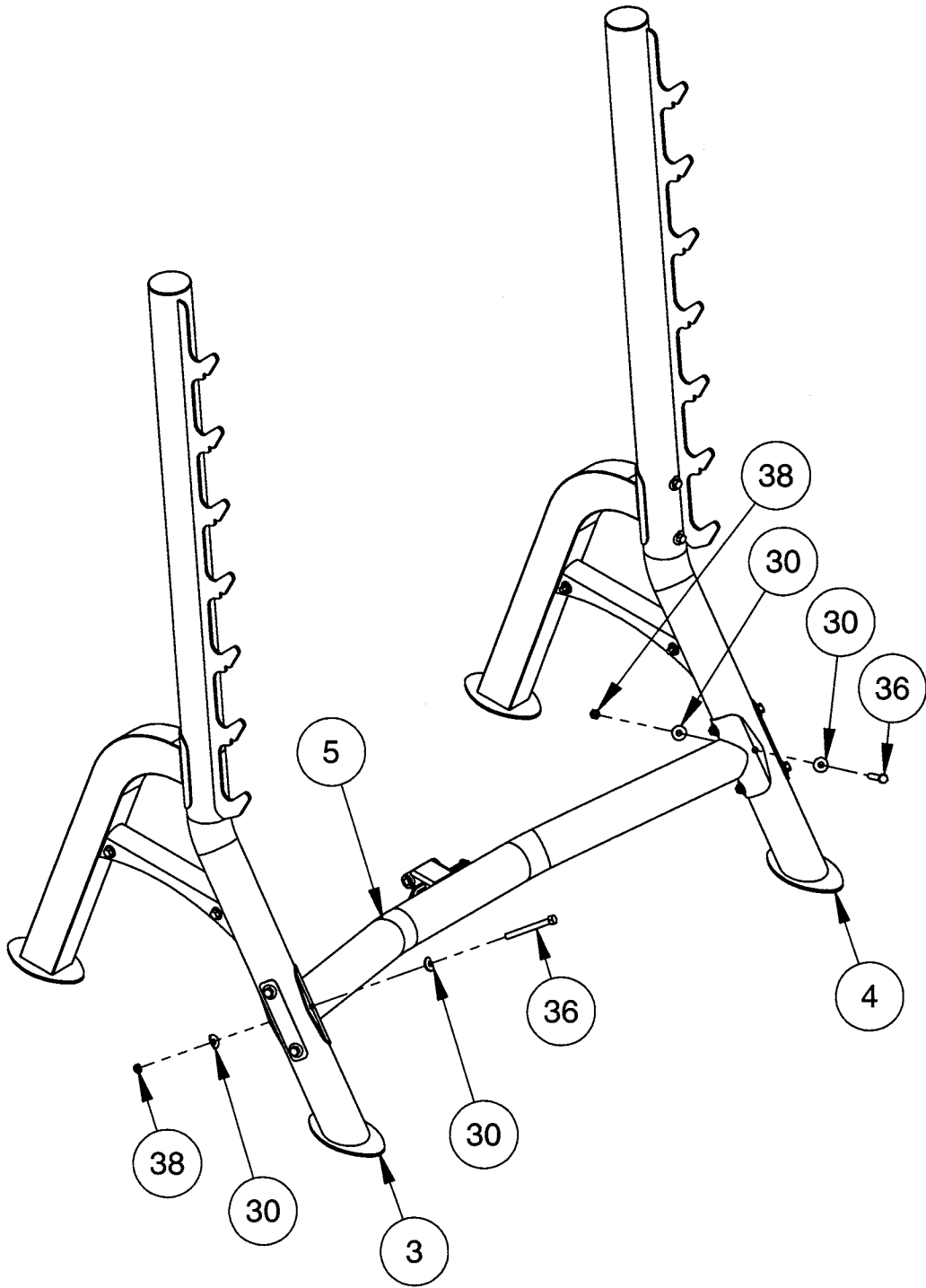
# OWNERS MANUAL

## FRAME ASSEMBLY STEP 5

ITEM NO.	PART NUMBER	DESCRIPTION
3	026-01X2474	UPRIGHT ASSEMBLY (LEFT)
4	026-01X2535	UPRIGHT ASSEMBLY (RIGHT)
5	026-01X2423	CROSSMEMBER ASSEMBLY
30	013-0102028	3/8" CURVED WASHER (WZ)
36	011-0407018	3/8"-16UNC X 3.75" HHB (WZ)
38	012-0104008	3/8"-16UNC THIN NYLOCK NUT (WZ)

# OWNERS MANUAL

- NOTE:**
- WRENCH TIGHTEN BOLTS.
  - WRENCH TIGHTEN ALL BOLTS FROM PREVIOUS STEPS.



# OWNERS MANUAL

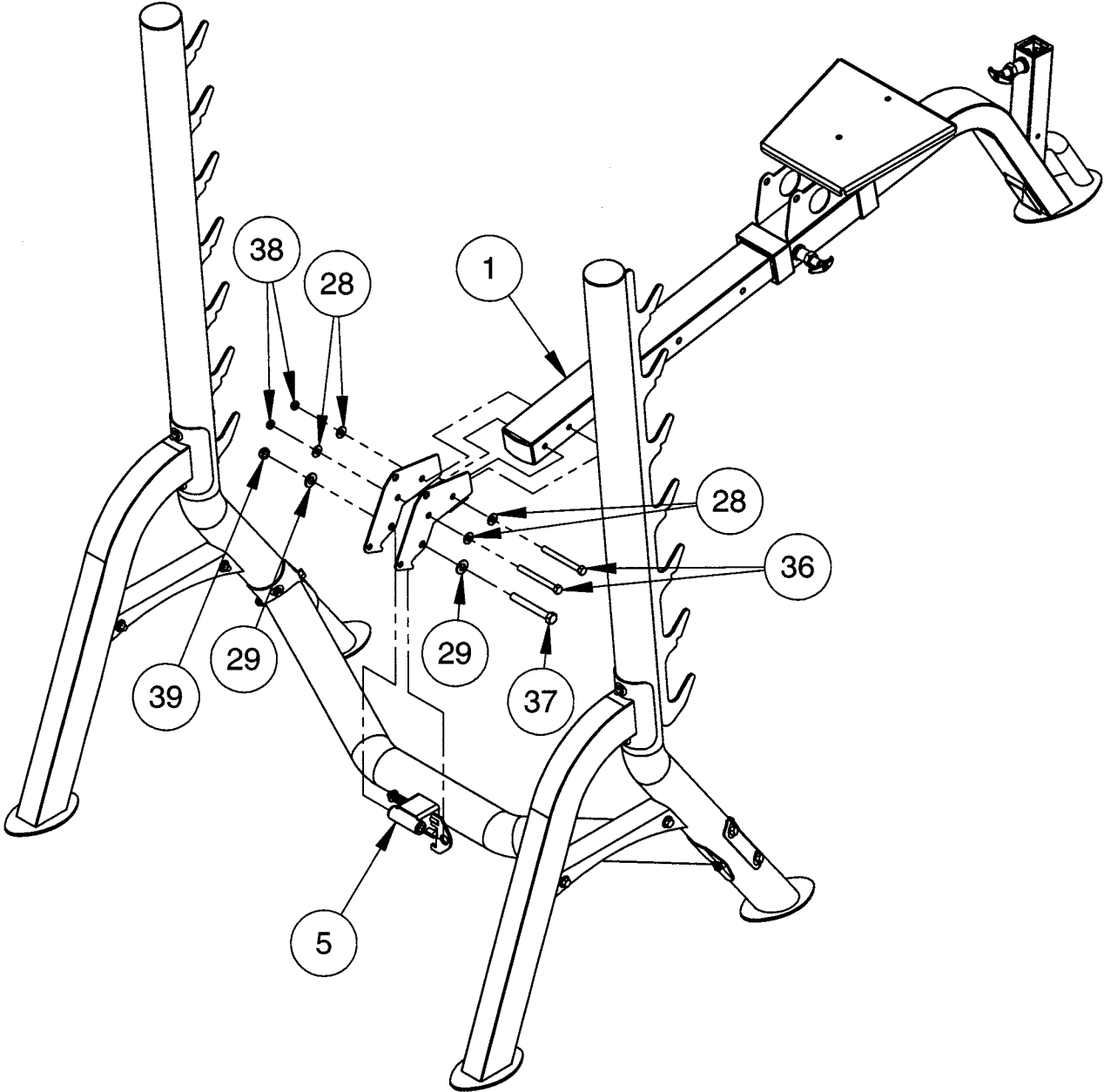
## FRAME ASSEMBLY STEP 6

ITEM NO.	PART NUMBER	DESCRIPTION
1	026-01X2439	MAIN FRAME ASSEMBLY
5	026-01X2423	CROSSMEMBER ASSEMBLY
28	013-0402007	3/8" X 22mm FLAT WASHER (WZ)
29	013-0102003	1/2" X 27mm SAE FLAT WASHER (WZ)
36	011-0407018	3/8"-16UNC X 3.75" HHB (WZ)
37	011-0107050	1/2"-13UNC X 3.75" HHB (WZ)
38	012-0104008	3/8"-16UNC THIN NYLOCK NUT (WZ)
39	012-0304011	1/2"-13UNC THIN NYLOCK NUT (WZ)



# OWNERS MANUAL

- NOTE:**
- WRENCH TIGHTEN BOLT (37) THEN LOOSEN NUT JUST ENOUGH FOR (1) TO PIVOT FREELY.
  - WRENCH TIGHTEN ALL OTHER BOLTS.



# OWNERS MANUAL

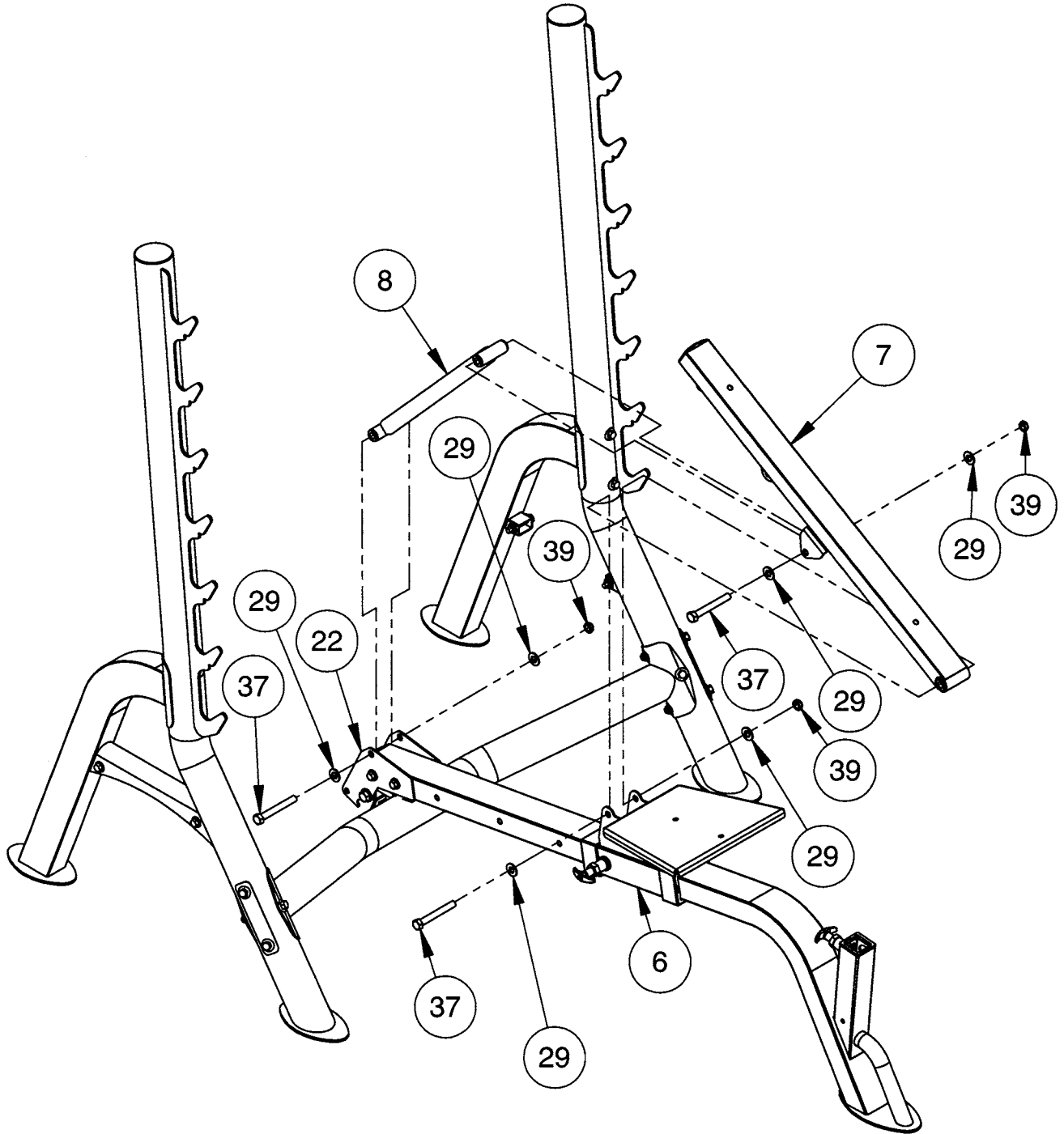
## FRAME ASSEMBLY STEP 7

ITEM NO.	PART NUMBER	DESCRIPTION
6	026-01X2427	SEAT SLIDE ASSEMBLY
7	026-01X2426	BACKPAD MOUNT ASSEMBLY
8	026-01X2424	LINK ASSEMBLY
22	026-01X2741	PIVOT BRACKET ASSEMBLY
29	013-0102003	1/2" X 27mm SAE FLAT WASHER (WZ)
31	011-0107024	5/16"-18UNC X 2.25" HHB (WZ)
32	011-0407033	5/16"-18UNC X .75" HHB (WZ)
37	011-0107050	1/2"-13UNC X 3.75" HHB (WZ)
39	012-0304011	1/2"-13UNC THIN NYLOCK NUT (WZ)

# OWNERS MANUAL

**NOTE:**

- WRENCH TIGHTEN BOLT'S (37) THEN LOOSEN NUT JUST ENOUGH FOR (7) & (8) TO PIVOT FREELY.
- SOME PARTS MAY HAVE BEEN REMOVED FOR CLARITY



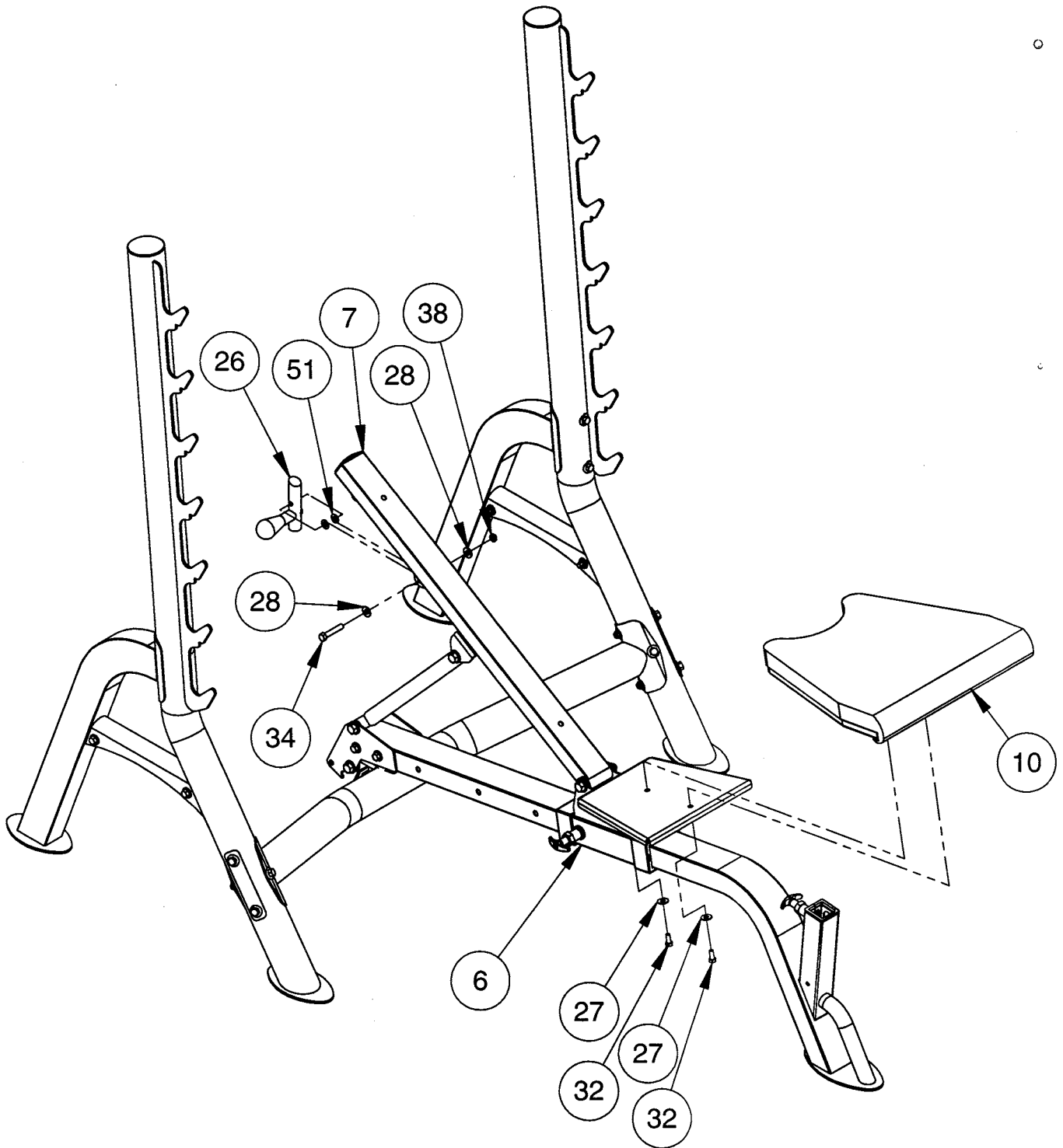
# OWNERS MANUAL

## FRAME ASSEMBLY STEP 8

ITEM NO.	PART NUMBER	DESCRIPTION
6	026-01X2427	SEAT SLIDE ASSEMBLY
7	026-01X2426	BACKPAD MOUNT ASSEMBLY
10	022-01PD2025-A	UPHOLSTERY PAD W/ACX BACKING
26	026-01M0941	BACKPAD LOCKOUT
27	013-0102004	5/16" X 22mm USS FLAT WASHER (WZ)
28	013-0402007	3/8" X 22mm FLAT WASHER (WZ)
32	011-0407033	5/16"-18UNC X .75" HHB (WZ)
34	011-0407058	3/8"-16UNC X 2.00" HHB (WZ)
38	012-0104008	3/8"-16UNC THIN NYLOCK NUT (WZ)
51	013-0602002	3/8" FLAT NYLON WASHER

# OWNERS MANUAL

- NOTE:
- WRENCH TIGHTEN BOLT (34) THEN LOOSEN NUT JUST ENOUGH FOR (26) TO PIVOT FREELY.
  - WRENCH TIGHTEN ALL OTHER BOLTS.



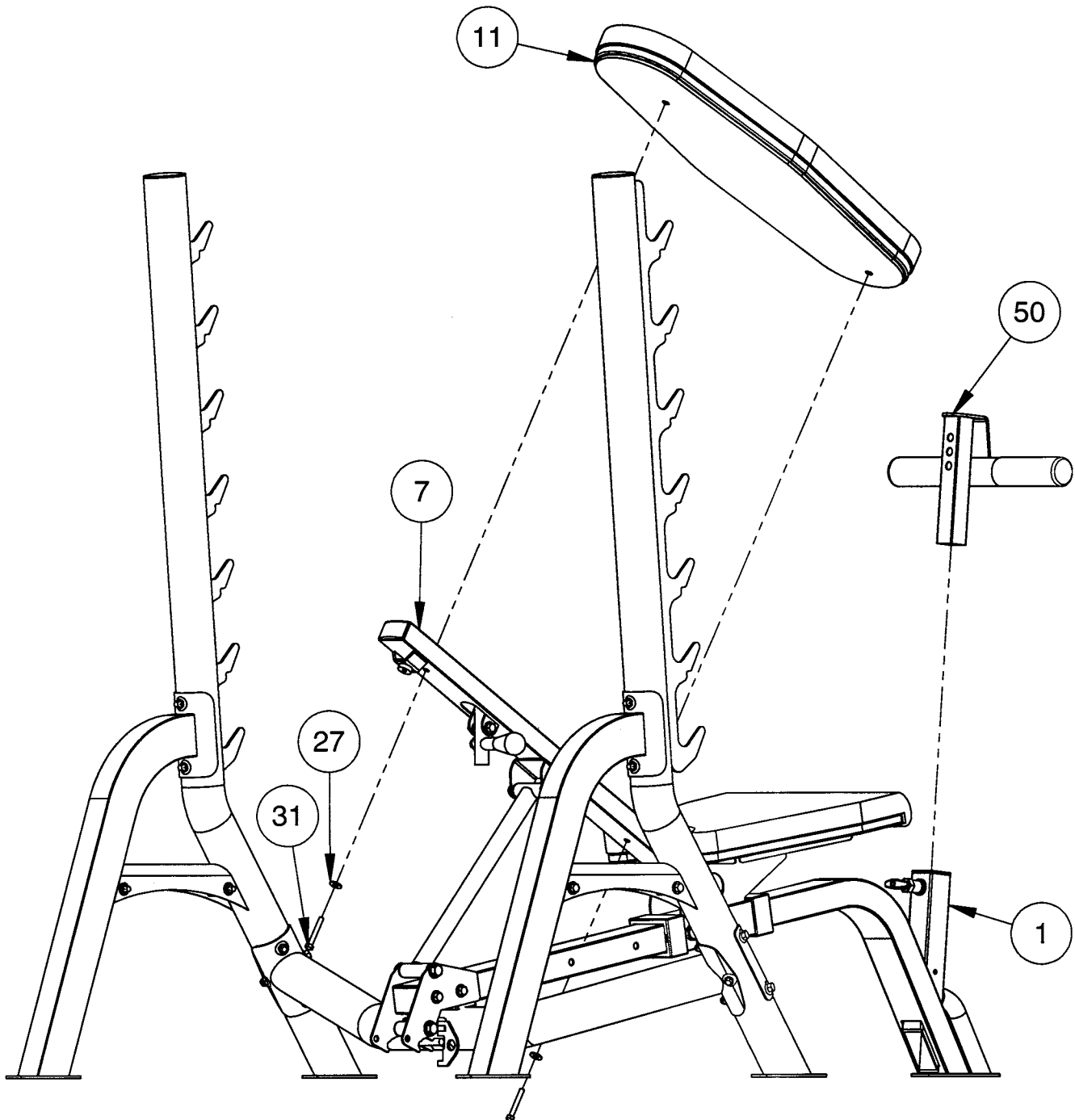
# OWNERS MANUAL

## FRAME ASSEMBLY STEP 9

ITEM NO.	PART NUMBER	DESCRIPTION
1	026-01X2439	MAIN FRAME ASSEMBLY
7	026-01X2426	BACKPAD MOUNT ASSEMBLY
11	022-01PD2040-A	UPHOLSTERY PAD W/ACX BACKING
27	013-0102004	5/16" X 22mm USS FLAT WASHER (WZ)
31	011-0107024	5/16"-18UNC X 2.25" HHB (WZ)
50	026-01X2536	FOOT PEG ASSEMBLY

# OWNERS MANUAL

NOTE:  
- WRENCH TIGHTEN BOLTS.



## **\*IMPORTANT\***

NOW THAT THE HF4170 UNIT IS COMPLETELY ASSEMBLED TAKE TIME TO ASSURE THAT YOUR UNIT IS ASSEMBLED SQUARE AND PERPENDICULAR. IF THEY ARE NOT PERPENDICULAR IN BOTH DIRECTIONS, IT WILL BE NECESSARY TO LOOSEN SOME FRAME HARDWARE TO RE-ALIGN THE FRAME AND RETIGHTEN BOLTS.

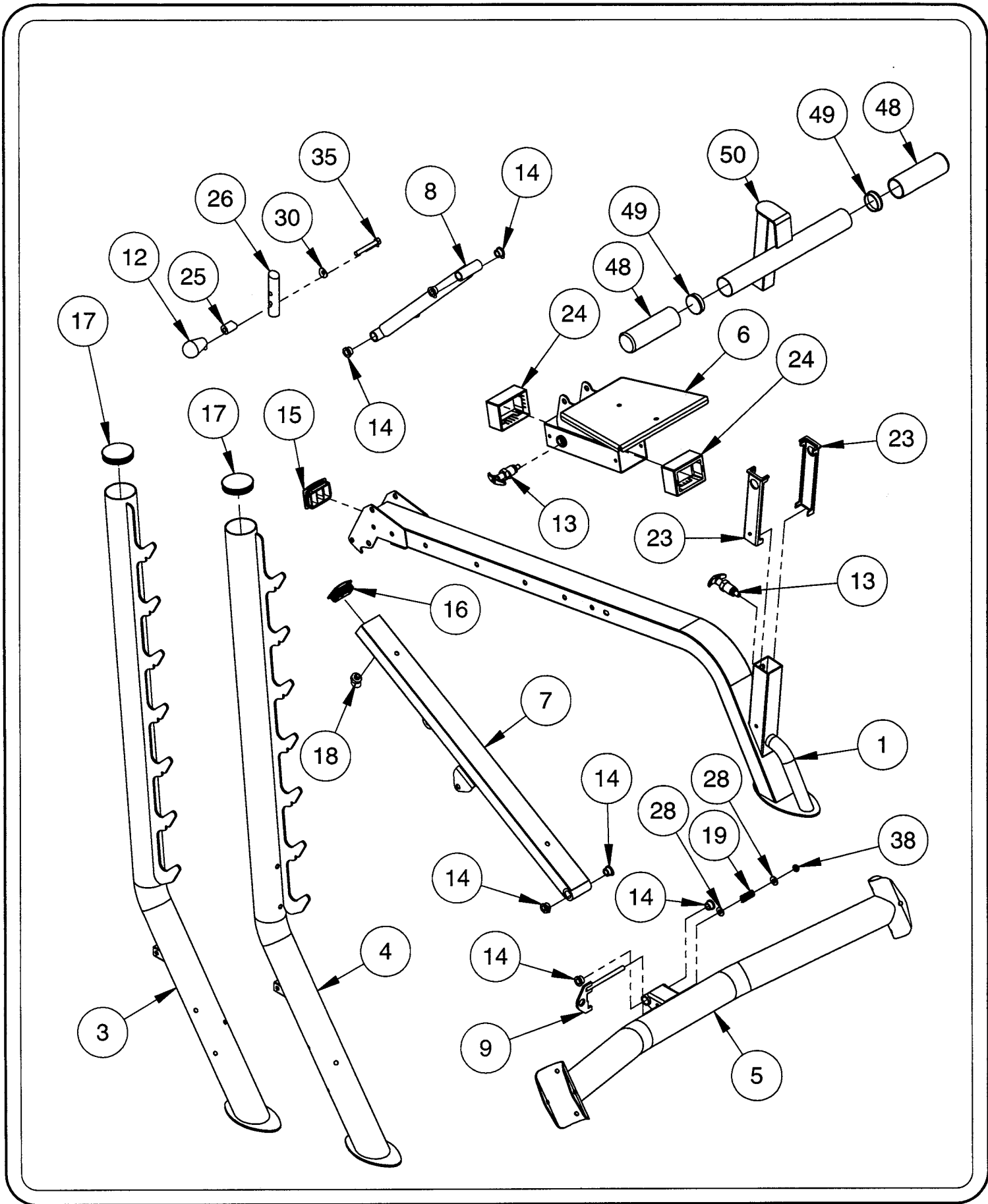
# OWNERS MANUAL

## PRE-ASSEMBLY

ITEM NO.	PART NUMBER	DESCRIPTION
1	026-01X2439	MAIN FRAME ASSEMBLY
3	026-01X2474	UPRIGHT ASSEMBLY (LEFT)
4	026-01X2535	UPRIGHT ASSEMBLY (RIGHT)
5	026-01X2423	CROSSMEMBER ASSEMBLY
6	026-01X2427	SEAT SLIDE ASSEMBLY
7	026-01X2426	BACKPAD MOUNT ASSEMBLY
8	026-01X2424	LINK ASSEMBLY
9	026-01X2421	SAFETY PIN ASSEMBLY
12	020-0007004	KNOB - OVAL
13	026-01X2161	THREADED PULL-PIN ASSEMBLY
14	014-0101002	OILITE FLANGED
15	016-0201034	END CAP-R 2.00" X 3.00" (BLACK)
16	016-0201036	END CAP 1.50" X 2.50" (BLACK)
17	016-0201045	Ø 3.00" END CAP (DOMED)
18	019-0001001	PLUG BUMPER
19	020-0011009	SPRING
23	026-01PL0125	E-Z GLIDE PLASTIC SLEEVE
24	026-01PL0257	PLASTIC GUIDE SLEEVE
25	026-01PL2114	PLASTIC SPACER
26	026-01M0941	BACKPAD LOCKOUT
28	013-0402007	3/8" X 22mm FLAT WASHER (WZ)
30	013-0102028	3/8" CURVED WASHER (WZ)
35	011-0407069	3/8"-16UNC X 2.75" HHB (WZ)
38	012-0104008	3/8"-16UNC THIN NYLOCK NUT (WZ)
48	019-0002002	CLOSED END GRIP Ø 2.00"
49	016-0201029	Ø 2.00" END CAP .06" WALL (BLACK)
50	026-01X2536	FOOT PEG ASSEMBLY



# OWNERS MANUAL



# OWNERS MANUAL

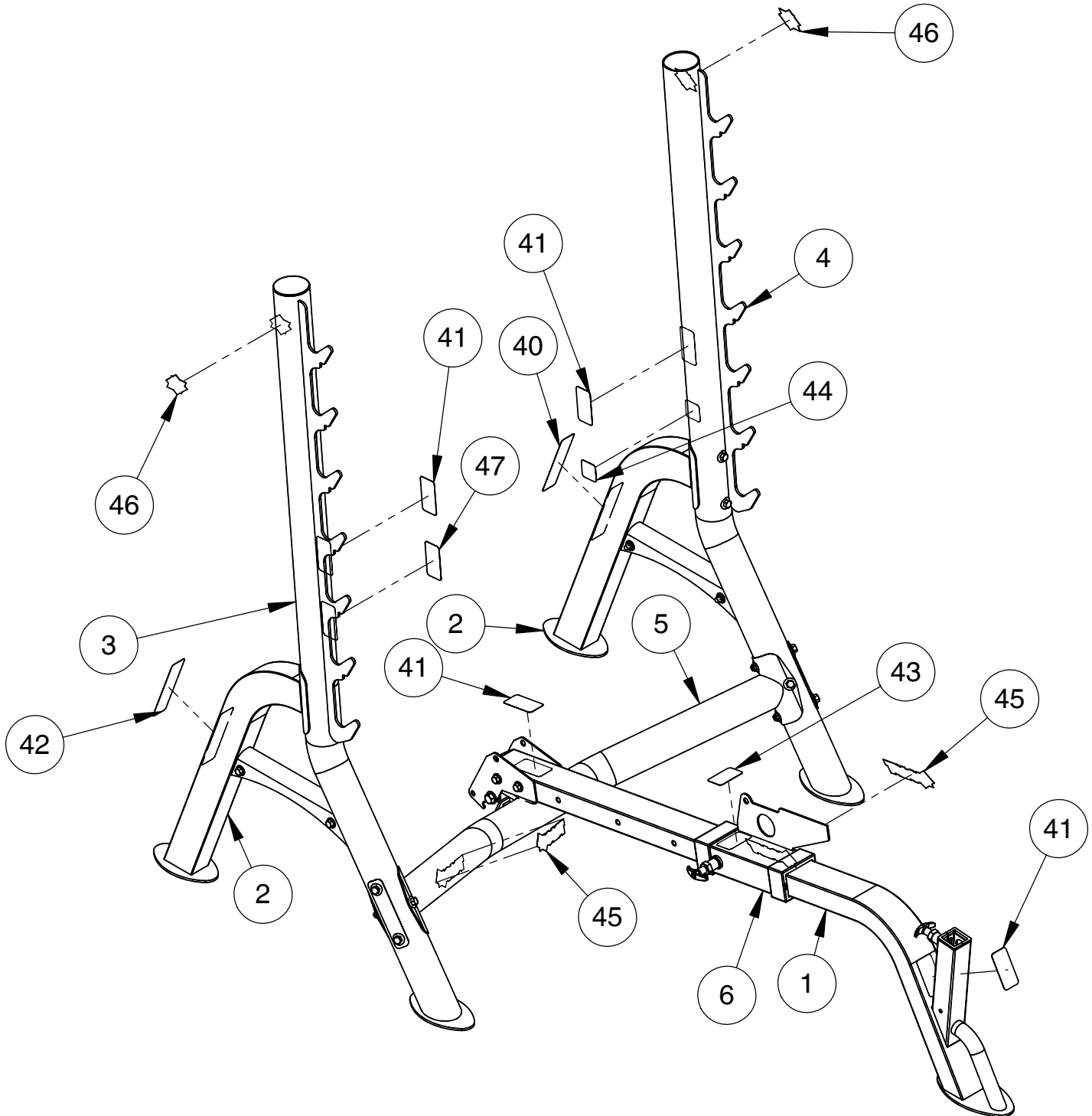
## DECAL PLACEMENT

ITEM NO.	PART NUMBER	DESCRIPTION
1	026-01X2439	MAIN FRAME ASSEMBLY
2	026-01X2475	REAR FOOT ASSEMBLY
3	026-01X2474	UPRIGHT ASSEMBLY (LEFT)
4	026-01X2535	UPRIGHT ASSEMBLY (RIGHT)
5	026-01X2423	CROSSMEMBER ASSEMBLY
6	026-01X2427	SEAT SLIDE ASSEMBLY
40	021-0003008	DECAL COMMERCIAL MAINTENANCE 1.50" X 6.69"
41	021-0003113	DECAL PINCH POINT 1.63" X 3.25" (VERTICAL)
42	021-0003135	DECAL COMMERCIAL WARNING 1.50" X 6.69"
43	SERIAL # DECAL	DECAL SERIAL # 1.63" X 2.63"
44	021-0003228	600 LB. WEIGHT RATING DECAL 1.63" X 1.63"
45	021-0003230	DECAL HOIST 1.63" X 5.94"
46	021-0003222	DECAL "H" 1.81" X 2.50"
47	021-0003282	SPOTTER DECAL 1.63" X 3.25"

# OWNERS MANUAL

## DECAL PLACEMENT

NOTE:  
- ALL DECALS ARE CENTERED  
UNLESS OTHERWISE STATED.  
- SOME PARTS MAY HAVE BEEN  
REMOVED FOR CLARITY.



# OWNERS MANUAL

## DECAL REFERENCE



SERIAL # DECAL



021-0003222

**WARNING**

USE ONLY GENUINE HOIST REPLACEMENT PARTS. FAILURE TO DO SO WILL VOID WARRANTY AND COULD RESULT IN PERSONAL INJURY OR EVEN DEATH. THERE IS A RISK ASSUMED BY INDIVIDUALS WHO USE THIS TYPE OF EQUIPMENT. TO MINIMIZE THE RISK ALWAYS FOLLOW THESE SIMPLE RULES.

1. READ & UNDERSTAND ALL ENCLOSED INSTRUCTIONS before using this equipment.
2. INSPECT EQUIPMENT BEFORE EACH USE. Replace all parts at the first signs of wear or damage. If in doubt about a certain part, DO NOT use the equipment until the part is replaced. Failure to replace worn or damaged parts may result in injury.
3. FOLLOW ROUTINE MAINTENANCE SCHEDULE
4. CONSULT YOUR PHYSICIAN BEFORE STARTING ANY EXERCISE PROGRAM. Warm up properly before engaging in weight resistance training. Stop exercising if you feel faint or dizzy.
5. TO PREVENT THE POSSIBILITY OF SERIOUS INJURY, KEEP CLEAR OF ALL MOVING PARTS. Do not attempt to free any jammed part by yourself. Obtain assistance in order to avoid possible injury.
6. Take your time and do not rush the exercise. Practice proper breathing, NEVER hold your breath.
7. CHILDREN SHOULD NOT BE ALLOWED TO USE THIS EQUIPMENT. To avoid possible injury, children should be kept at a safe distance when this equipment is in use. Teenagers should not use this equipment without adult supervision.
8. CALL YOUR AUTHORIZED DISTRIBUTOR if you have any questions on the proper use or maintenance of this equipment.

021-0003135

**NOTICE**

	Daily	Weekly	Monthly	Months	Yearly
<b>COMMERCIAL MAINTENANCE</b>					
Inspect: Links, Pull Pins, Snap Locks, Swivels, Weight Stack Pins	X				
Clean; Upholstery		X			
Inspect; Cables or Belts and their tension		X			
Inspect; Accessory Bars and Handles			X		
Inspect; All Decals		X			
Inspect; All nuts and Bolts Tighten if Needed.		X			
Inspect; Anti-Skid Surfaces		X			
Clean & Lubricate; Guide Rods with a Teflon (PTFE) based lubricant (Superlube)			X		
Lubricate; Seat Sleeves, Turcite Bushings, Linear Bearing			X		
Clean & Wax; All Glossy Finishes				X	
Repack with Grease Linear Bearings				X	
Replace; Cables, Belts and Connecting Parts.					X

021-0003008



021-0003230

# OWNERS MANUAL

## DECAL REFERENCE



021-0003113



021-0003282



021-0003228

# OWNERS MANUAL

## PART LIST

NOTE: SOME OF THESE PARTS MAY COME PRE-INSTALLED

ITEM NO.	PART NUMBER	DESCRIPTION	QTY.
1	026-01X2439	MAIN FRAME ASSEMBLY	1
2	026-01X2475	REAR FOOT ASSEMBLY	2
3	026-01X2474	UPRIGHT ASSEMBLY (LEFT)	1
4	026-01X2535	UPRIGHT ASSEMBLY (RIGHT)	1
5	026-01X2423	CROSSMEMBER ASSEMBLY	1
6	026-01X2427	SEAT SLIDE ASSEMBLY	1
7	026-01X2426	BACKPAD MOUNT ASSEMBLY	1
8	026-01X2424	LINK ASSEMBLY	1
9	026-01X2421	SAFETY PIN ASSEMBLY	1
10	022-01PD2025-A	UPHOLSTERY PAD W/ACX BACKING	1
11	022-01PD2040-A	UPHOLSTERY PAD W/ACX BACKING	1
12	020-0007004	KNOB - OVAL	1
13	026-01X2161	THREADED PULL-PIN ASSEMBLY	2
14	014-0101002	OILITE FLANGED	8
15	016-0201034	END CAP-R 2.00" X 3.00" (BLACK)	1
16	016-0201036	END CAP 1.50" X 2.50" (BLACK)	1
17	016-0201045	Ø3.00" END CAP (DOMED)	2
18	019-0001001	PLUG BUMPER	1
19	020-0011009	SPRING	1
20	026-01P2323	SIDE CROSS-MEMBER	2
21	026-01P2419	1.25" X 6.00" BACKING PLATE	2
22	026-01X2741	PIVOT BRACKET ASSEMBLY	1
23	026-01PL0125	E-Z GLIDE PLASTIC SLEEVE	2
24	026-01PL0257	PLASTIC GUIDE SLEEVE	2
25	026-01PL2114	PLASTIC SPACER	1
26	026-01M0941	BACKPAD LOCKOUT	1
27	013-0102004	5/16" X 22mm USS FLAT WASHER (WZ)	4
28	013-0402007	3/8" X 22mm FLAT WASHER (WZ)	16
29	013-0102003	1/2" X 27mm SAE FLAT WASHER (WZ)	8
30	013-0102028	3/8" CURVED WASHER (WZ)	21
31	011-0107024	5/16"-18UNC X 2.25" HHB (WZ)	2
32	011-0407033	5/16"-18UNC X .75" HHB (WZ)	2
33	011-0107026	3/8"-16UNC X 2.25" HHB (WZ)	4
34	011-0407058	3/8"-16UNC X 2.00" HHB (WZ)	1
35	011-0407069	3/8"-16UNC X 2.75" HHB (WZ)	1

# OWNERS MANUAL

## PART LIST CONTINUED

NOTE: SOME OF THESE PARTS MAY COME PRE-INSTALLED

ITEM NO.	PART NUMBER	DESCRIPTION	QTY.
36	011-0407018	3/8"-16UNC X 3.75" HHB (WZ)	12
37	011-0107050	1/2"-13UNC X 3.75" HHB (WZ)	4
38	012-0104008	3/8"-16UNC THIN NYLOCK NUT (WZ)	18
39	012-0304011	1/2"-13UNC THIN NYLOCK NUT (WZ)	4
48	019-0002002	CLOSED END GRIP $\phi$ 2.00"	2
49	016-0201029	$\phi$ 2.00" END CAP .06" WALL (BLACK)	2
50	026-01X2536	FOOT PEG ASSEMBLY	1
51	013-0602002	3/8" FLAT NYLON WASHER	2

# OWNERS MANUAL





# OWNERS MANUAL

## ABBREVIATION LISTING

BZ = Black Zinc

WZ = White Zinc

FHCS = Flat Head Cap Screw

BHCS = Button Head Cap Screw

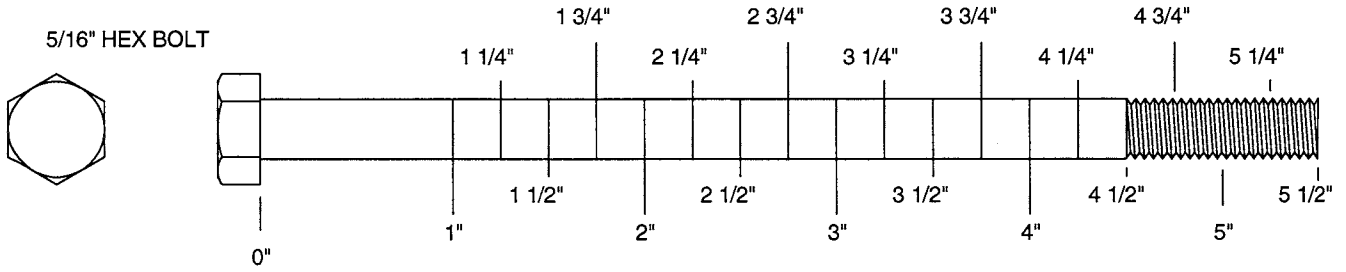
SHCS = Socket Head Cap Screw

HHB = Hex Head Bolt

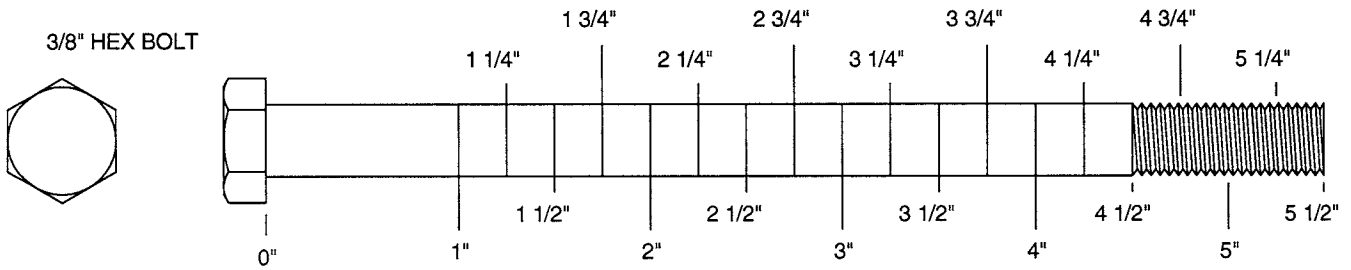
# OWNERS MANUAL

## BOLT SIZING CHART

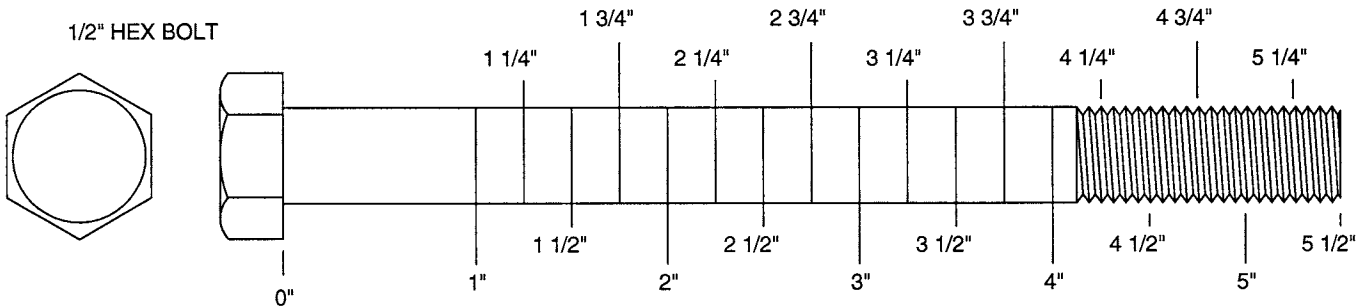
5/16" HEX BOLT



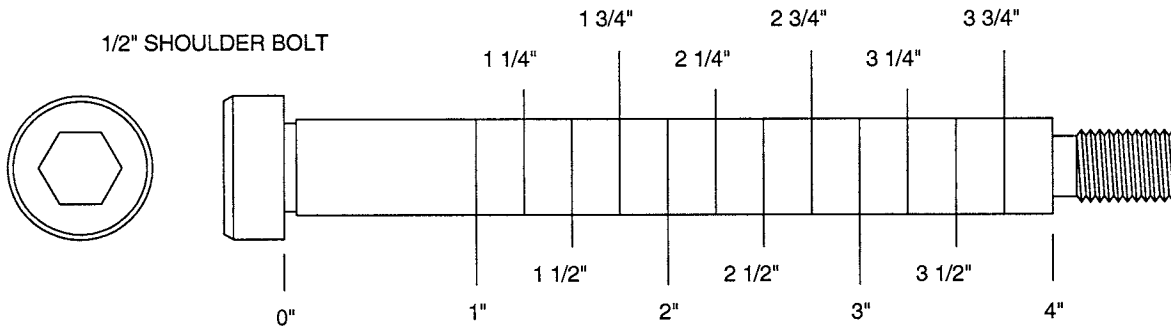
3/8" HEX BOLT



1/2" HEX BOLT



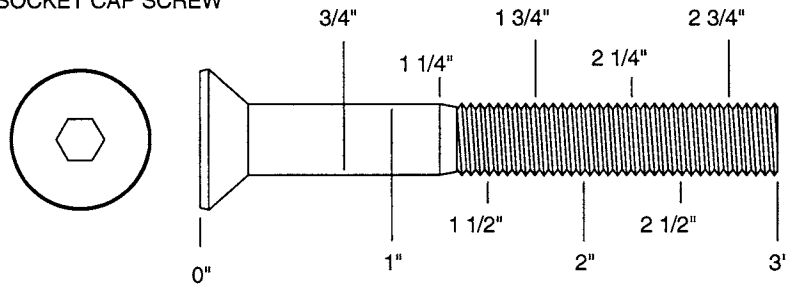
1/2" SHOULDER BOLT



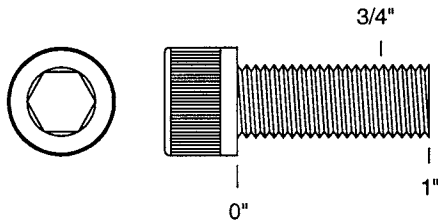
# OWNERS MANUAL

## BOLT SIZING CHART (CONTINUED)

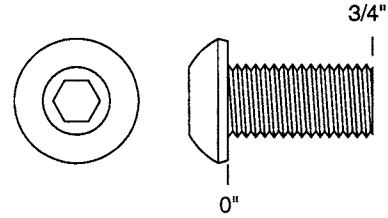
3/8" FLATHEAD  
SOCKET CAP SCREW



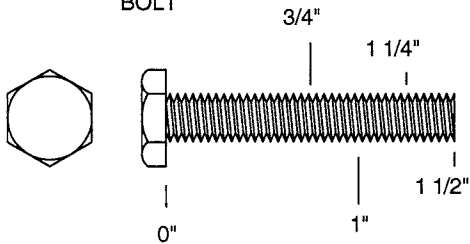
3/8" SOCKET  
CAP SCREW



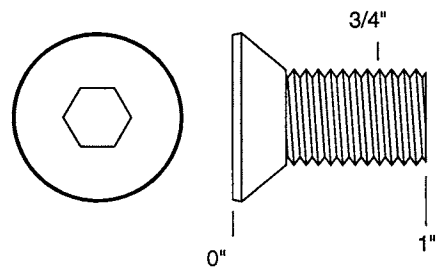
3/8" BUTTON  
HEAD CAP SCREW



1/4" HEX  
BOLT



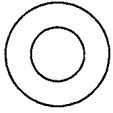
1/2" FLATHEAD  
SOCKET CAP SCREW



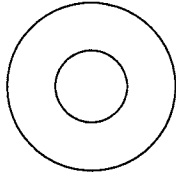
# OWNERS MANUAL

## WASHER SIZING CHART

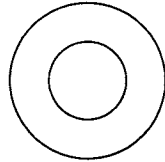
013-0002003  
1/4"  
FLAT WASHER  
SMALL, SAE, 13mm



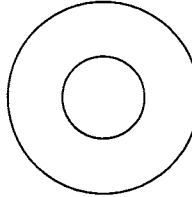
013-0102004  
5/16"  
FLAT WASHER  
LARGE, USS, 22mm



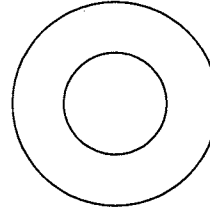
013-0002004  
3/8"  
FLAT WASHER  
SMALL, SAE, 21mm



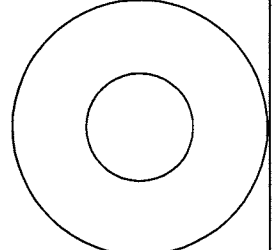
013-0402005  
3/8"  
FLAT WASHER  
LARGE, USS, 25mm



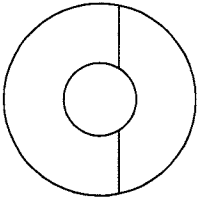
013-0102003  
1/2"  
FLAT WASHER  
SMALL, SAE, 27mm



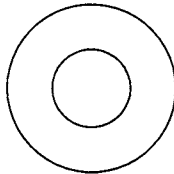
013-0102026  
1/2"  
FLAT WASHER  
LARGE, USS, 34mm



013-0102028  
3/8"  
CURVED WASHER



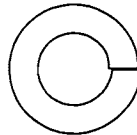
013-0402007  
3/8"  
FLAT WASHER  
22mm O.D.



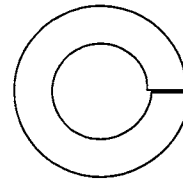
013-0102019  
1/4"  
LOCK WASHER



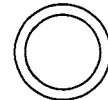
013-0102020  
3/8"  
LOCK WASHER



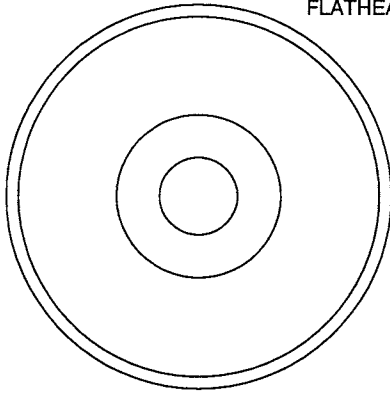
013-0102018  
1/2"  
LOCK WASHER



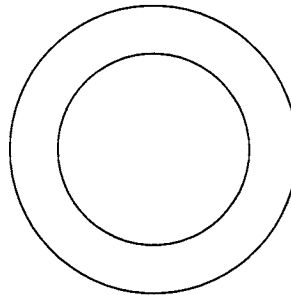
014-0018001  
1/2" LONG  
SPACER



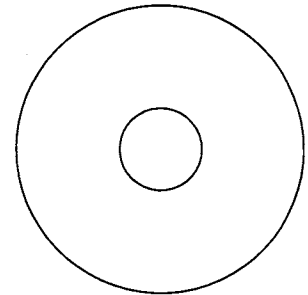
026-01M0238  
2" ALUMINUM  
FLATHEAD CAP



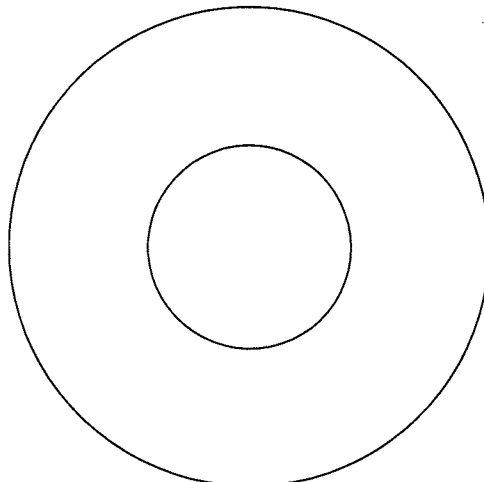
016-0009003  
1" SHIM WASHER



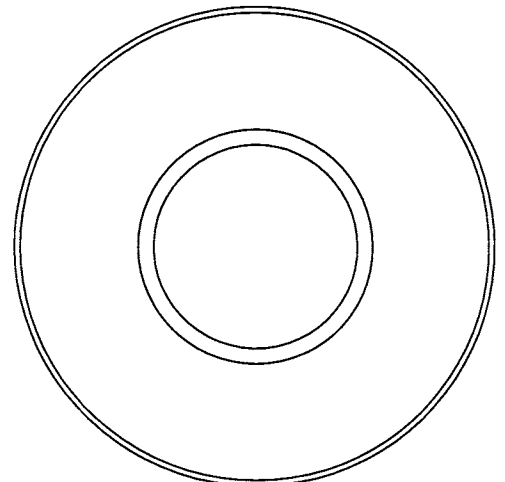
013-0003002  
3/8" FENDER WASHER



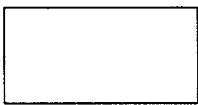
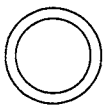
013-0003004  
1 1/16"  
FENDER WASHER



026-01PL151  
PLASTIC 1 1/16"  
FENDER WASHER



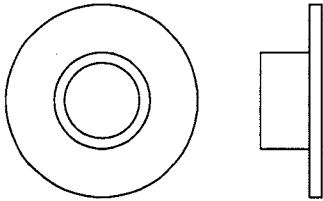
014-0018002  
1" LONG  
SPACER



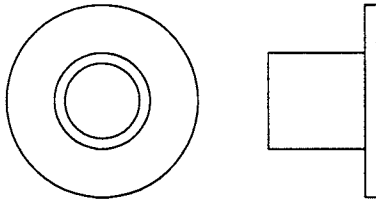
# OWNERS MANUAL

## WASHER SIZING CHART (CONTINUED)

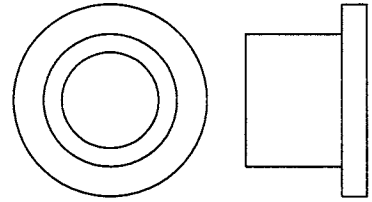
026-01M0211  
1/4" LONG  
FLANGED SPACER



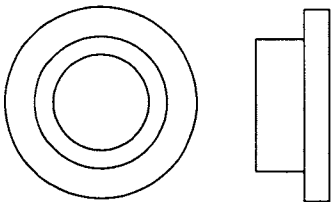
026-01M0198  
1/2" LONG  
FLANGED SPACER



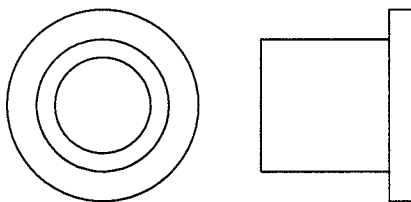
026-01M0760  
1/2" LONG HEAVY  
FLANGED SPACER



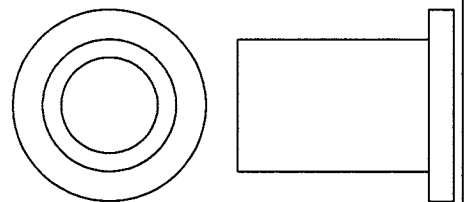
026-01M211T  
1/4" LONG HEAVY  
FLANGED SPACER



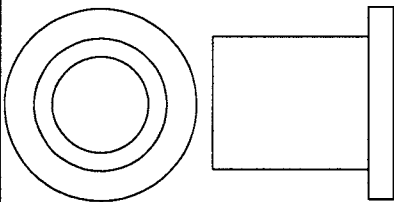
026-01M0532  
1 1/16" LONG HEAVY  
FLANGED SPACER



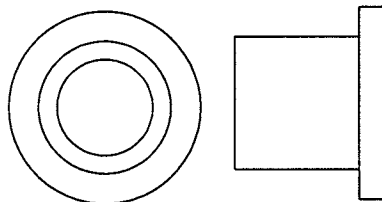
026-01M0551  
1" LONG HEAVY  
FLANGED SPACER



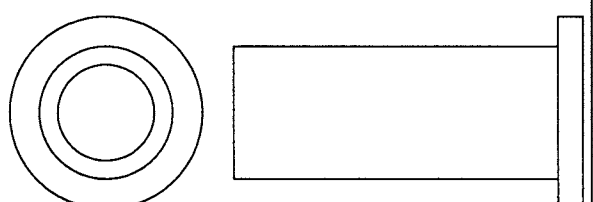
026-01M0788  
.81" LONG HEAVY  
FLANGED SPACER



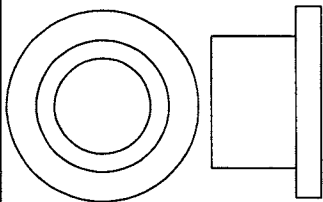
026-01M0780  
.65" LONG HEAVY  
FLANGED SPACER



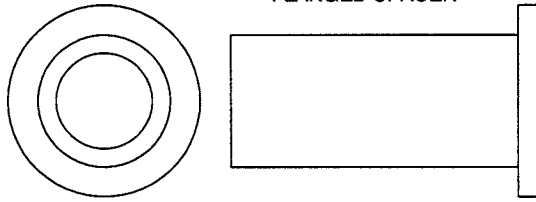
026-01M0761  
1 11/16" LONG HEAVY  
FLANGED SPACER



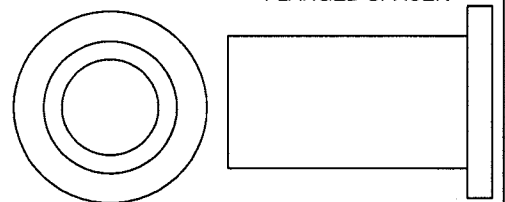
026-01M0789  
.44" LONG HEAVY  
FLANGED SPACER



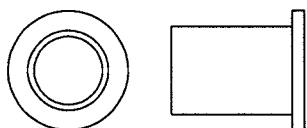
026-01M0762  
1 1/2" LONG HEAVY  
FLANGED SPACER



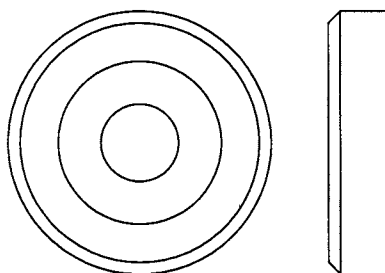
026-01M0768  
1 1/4" LONG HEAVY  
FLANGED SPACER



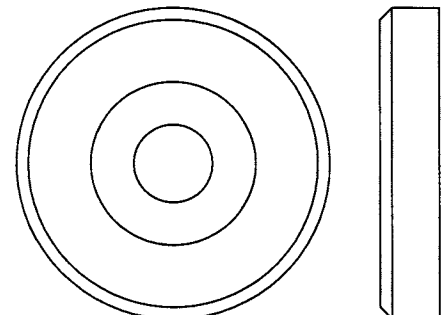
026-01M0600  
.625" LONG  
FLANGED SPACER



026-01M0240  
1 3/8" ALUMINUM  
FLATHEAD CAP



026-01M0239  
1 5/8" ALUMINUM  
FLATHEAD CAP



# OWNERS MANUAL

## MAINTENANCE SCHEDULE

ROUTINE	COMMERCIAL MAINTENANCE	HOME MAINTENANCE	LATEST DATE ENTRY															
Inspect; Links, Pull Pins, Snap Locks, Swivels, Weight Stack Pins	DAILY	WEEKLY																
Clean; Upholstery	DAILY	WEEKLY																
Inspect; Cables or Belts and their tension	DAILY	WEEKLY																
Inspect; Accessory Bars, and Handles	WEEKLY	3 MONTHS																
Inspect; All Decals	WEEKLY	3 MONTHS																
Inspect; All Nuts and Bolts, Tighten if needed	WEEKLY	3 MONTHS																
Inspect; Anti-Skid Surface	WEEKLY	3 MONTHS																
Clean & Lubricate; Guide Rods with a Teflon (PTFE) based lubricant (Superlube)	MONTHLY	3 MONTHS																
Lubricate; Seat Sleeves, Turcite Bushings, Linear Bearing	MONTHLY	3 MONTHS																
Clean and Wax; All Glossy Finishes	6 MONTHS	YEARLY																
Repack with Grease; Linear Bearings	6 MONTHS	YEARLY																
Replace; Cables, Belts and Connecting Parts	YEARLY	3 YEARS																

*Your equipment comes with a commercial maintenance decal.  
For personal, in home use, please follow the home maintenance schedule listed above.*

## HOIST FITNESS SYSTEMS GENERAL MAINTENANCE INFORMATION

### **Links, Pull-Pins, Snap Hooks, Swivels, Weight Stack Pins:**

- \*Check all pieces for signs of visible wear or damage.
- \*Check springs in snap hooks and pull-pins for proper tension and alignment.
- \*If the spring sticks or has lost its rigidity, replace it immediately.

### **Upholstery:**

- \*To ensure prolonged upholstery life and proper hygiene, all upholstered pads should be wiped down with a damp cloth after every workout.
- \*Periodically take the time to use a mild soap or an approved vinyl upholstery cleaner to deter the onset of cracking or drying. Avoid using any abrasive cleaners or cleaners not intended for use on vinyl.
- \*Replace ripped or worn upholstery immediately.
- \*Keep sharp or pointed objects clear of all upholstery.

### **Decals:**

- \*Inspect and familiarize yourself with any safety warnings or other user information posted on each decal.

### **Nuts and Bolts:**

- \*Inspect all nuts and bolts for any loosening and tighten if needed.
- \*Go through a re-tightening sequence periodically to ensure that all hardware is tensioned proper.

### **Anti-Skid Surfaces:**

- \*These surfaces are designed to supply secure footing and need to be replaced if they appear worn or become slippery.

### **Belts and Cables:**

- \*Hoist uses only high quality belt, and mil-spec cables.
- \*Visually inspect the belts and cables for fraying, cracking, peeling or discoloration.
- \*While the machine is not in use, carefully run your fingers along the belt or cable to feel for thinning or bulging areas.
- \*Replace belts and cables immediately at the first signs of damage or wear. Do not use equipment until belts or cables have been replaced.

# OWNERS MANUAL

## GENERAL MAINTENANCE INFORMATION

(CONTINUED)

### **Belt and Cable Tension:**

\*Referring to the Owners Manual, when belts or cables are used check all bolts attachments to be sure they are properly attached.

\*Check slack in cables and re-adjust cable tension if needed.

### **Seat Sleeves, Guide Rods:**

\*Wipe down adjusting tubes with a dust free rag before applying lubricant.

\*Lubricate seat sleeves and Guide Rods with a Silicon or Teflon based lubricant spray.

### **Linear Bearings:**

\*Referring to the Owners Manual carefully dis-assemble the bearing from its housing and place a finger full of light grease (lithium, super lube, etc.) into the inside of the bearing. Using your finger, press the grease into the ball-bearings and their tracks. repeat until the ball-bearing tracks are full of grease. Insert the shaft back into the bearing and wipe off excess grease.

**PLEASE KEEP THIS FOR YOUR RECORDS**



# OWNERS MANUAL

## WEIGHT TRAINING TIPS

Always consult your physician before starting any exercise program.

To be successful in your exercise program, it is important to develop an understanding of the basic principles of strength training. Now that you have your HF4170 HOIST® Fitness System, it is only natural that you want to get started immediately. First, determine a set of realistic goals and objectives for yourself. By deciding on an exercise plan that is right for you prior to starting, you will contribute significantly to your success.

Warm up properly before engaging in weight resistance training. Stretching, yoga, jogging, calisthenics or other cardiovascular exercise can help prepare your body for the heavier workload of lifting weights.

Learn how to perform the exercise correctly before using heavy weight. Correct form is important to avoid injury and to ensure that you work the proper muscle groups.

Know your limitations. If you are new to weight training or are embarking on an exercise regimen after a long layoff, start slowly and build foundational strength over a longer period of time.

Pay attention to your breathing. Exhale when you exert is a general rule of thumb. Never hold your breath.

**Enjoy your HF4170 HOIST Fitness System!**



# OWNERS MANUAL

## **HOIST FITNESS SYSTEMS** **LIMITED LIFETIME WARRANTY**

Hoist Fitness Systems warrants this product to the **original purchaser** to be free from defects in workmanship and/or materials under normal use or service. If at any time a component part is defective, Hoist Fitness Systems shall repair or replace it (at Hoist Fitness Systems option) within a reasonable period of time. This warranty does not cover costs of removal, transportation or reinstallation. This warranty shall not apply if the defect was caused by misuse, neglect or normal wear and tear.

**WARRANTY CLAIMS. All claims require: Model number, Serial number, Date of installation, and any information supporting the existence of the alleged defect.**

**To complete Warranty Registration visit:  
[www.HOISTFITNESS.com](http://www.HOISTFITNESS.com)  
and click on the Warranty Registration link**

Starting from the original date of purchase, normal wear and tear shall be considered as the following:

**COMMERCIAL USE:** All malfunctions of upholstery, grips, paint, and chrome that occur after one year; all malfunctions of electronic components, belts, or cables after one year; all malfunctions of pulleys, bearings, or bushings that occur after five years. The frame and all welded components are warranted for the life of the product.

**HOME USE:** All malfunctions of grips, paint, and chrome that occur after ten years; all malfunctions of electronic components, belts, cables, or upholstery that occur after ten years; all malfunctions of pulleys, bearings, or bushings that occur after ten years. The frame and all welded components are warranted for the life of the product.

### **PLEASE NOTE THAT NOT ALL HOIST PRODUCTS ARE MADE FOR COMMERCIAL USE.**

Refer to the instructions page of your owners manual or consult with you fitness product dealer to establish if a product is made for commercial use or not. Using a non-commercial product in a commercial setting can result in serious injury or death!

Hoist Fitness Systems sole responsibility shall be to repair or replace the component within the terms stated above. Hoist Fitness Systems shall not be liable for any loss or damage of any kind including any incidental or consequential damages resulting, directly or indirectly from any warranty expressed or implied or any other failure of this product.

### **WHAT IS NOT COVERED BY THIS WARRANTY**

Hoist's sole obligation under this warranty is limited to either repair or replacement of parts, subject to the additions below. This warranty neither assumes nor authorizes any person to assume obligations other than expressly covered by this warranty.

**NO CONSEQUENTIAL DAMAGES.** Hoist is not responsible for economic loss; profit loss; or special, indirect, or consequential damages.

**WARRANTY IS NOT TRANSFERABLE.** This warranty is not assignable and applies only in favor of the original purchaser/user to whom delivered. Any such assignment or transfer shall void the warranties herein made and shall void all warranties, expressed, implied or statutory, except the one (1) and five (5) year warranties described above. These warranties are exclusive and in lieu of all other warranties, including implied warranty and merchantability or fitness for a particular purpose. There are no warranties which extend beyond the description on the face hereof.

**TRANSPORTATION COSTS.** Hoist will accept parts covered under this warranty freight collect, provided that shipment has received prior approval. Hoist is not responsible for any other transportation costs, but will ship freight collect parts either repaired or replaced under these warranties.

Hoist Fitness Systems  
9990 Empire St. #130  
San Diego, CA. 92126  
(800)548-5438

**PLEASE KEEP THIS FOR YOUR RECORDS**