

Processes



Stick (SMAW) Welding



Air Carbon Arc (CAC-A)
Cutting and Gouging

With Optional Equipment:



TIG (GTAW) Welding



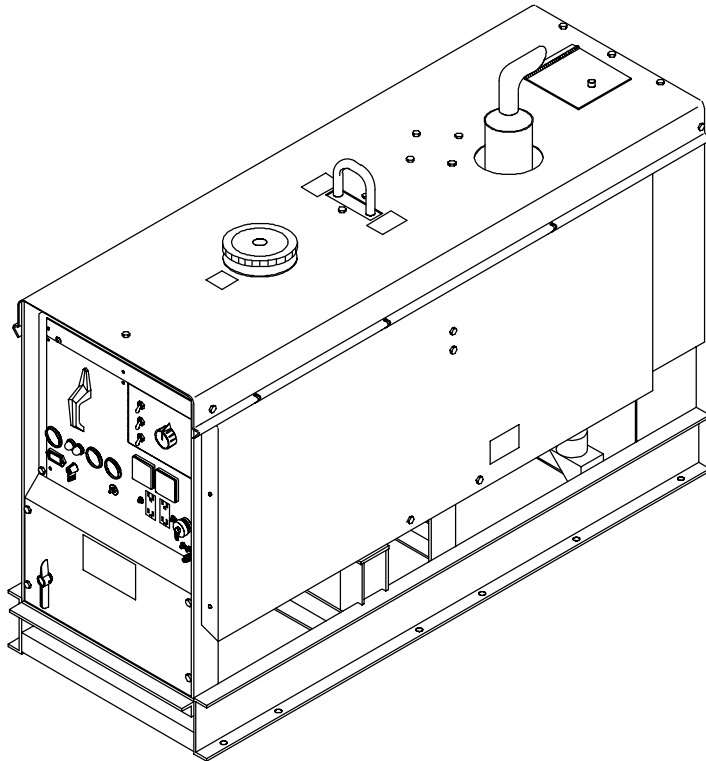
MIG (GMAW) Welding
Flux Cored (FCAW) Welding

Description



Engine Driven Welding Generator

Contractor 40D



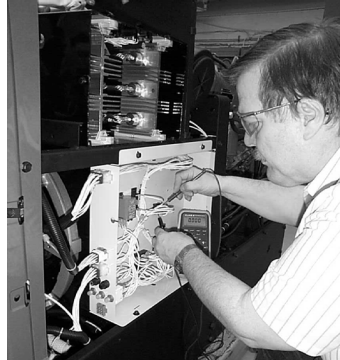
OWNER'S MANUAL

From Hobart to You

Thank you and congratulations on choosing Hobart. Now you can get the job done and get it done right. We know you don't have time to do it any other way.

This Owner's Manual is designed to help you get the most out of your Hobart products. Please take time to read the Safety precautions. They will help you

protect yourself against potential hazards on the worksite. We've made installation and operation quick and easy. With Hobart you can count on years of reliable service with proper maintenance. And if for some reason the unit needs repair, there's a Troubleshooting section that will help you figure out what the problem is. The parts list will then help you to decide which exact part you may need to fix the problem. Warranty and service information for your particular model are also provided.



Hobart is registered to the ISO 9001 Quality System Standard.

Hobart Welders manufactures a full line of welders and welding related equipment. For information on other quality Hobart products, contact your local Hobart distributor to receive the latest full line catalog or individual catalog sheets. **To locate your nearest distributor or service agency call 1-877-Hobart1.**



Hobart offers a Technical Manual which provides more detailed service and parts information for your unit. To obtain a Technical Manual, contact your local distributor. Your distributor can also supply you with Welding Process Manuals such as SMAW, GTAW, GMAW, and GMAW-P.

HOBART[®]
WELDING PRODUCTS

TABLE OF CONTENTS

WARNING

This product, when used for welding or cutting, produces fumes or gases which contain chemicals known to the State of California to cause birth defects and, in some cases, cancer. (California Health & Safety Code Section 25249.5 et seq.)

WARNING

Battery posts, terminals and related accessories contain lead and lead compounds, chemicals known to the State of California to cause cancer and birth defects or other reproductive harm. Wash hands after handling.

CALIFORNIA Proposition 65 Warning

Diesel engine exhaust and some of its constituents are known to the State of California to cause cancer, birth defects, and other reproductive harm.

The following terms are used interchangeably throughout this manual:

Stick = SMAW
MIG = GMAW
TIG = GTAW

SECTION 1 – SAFETY PRECAUTIONS - READ BEFORE USING	1
1-1. Symbol Usage	1
1-2. Arc Welding Hazards	1
1-3. Engine Hazards	2
1-4. Additional Symbols For Installation, Operation, And Maintenance	3
1-5. Principal Safety Standards	4
1-6. EMF Information	4
SECTION 1 – CONSIGNES DE SÉCURITÉ – LIRE AVANT UTILISATION	5
1-1. Signification des symboles	5
1-2. Dangers relatifs au soudage à l'arc	5
1-3. Dangers existant en relation avec le moteur	6
1-4. Dangers supplémentaires en relation avec l'installation, le fonctionnement et la maintenance	7
1-5. Principales normes de sécurité	8
1-6. Information sur les champs électromagnétiques	8
SECTION 2 – DEFINITIONS	9
2-1. Symbols and Definitions	9
SECTION 3 – SPECIFICATIONS	9
3-1. Weld, Power, And Engine Specifications	9
3-2. Dimensions, Weights, And Operating Angles	10
3-3. Fuel Consumption	10
3-4. Duty Cycle And Overheating	11
3-5. AC Auxiliary Power	11
3-6. Optional AC Power Plant Curves	12
3-7. Volt-Ampere Curves	13
SECTION 4 – INSTALLATION	14
4-1. Installing Welding Generator	14
4-2. Connecting The Battery	14
4-3. Installing Muffler	15
4-4. Engine Prestart Checks	15
4-5. Connecting To Weld Output Terminals	16
4-6. Selecting Weld Cable Sizes	16
4-7. Remote 14 Receptacle RC3 Information (Optional, See Section 4-8)	17
4-8. Terminal Strip 3T Connections (Optional)	17
SECTION 5 – OPERATING WELDING GENERATOR	18
5-1. Front Panel Controls (See Section 5-2)	18
5-2. Description Of Front Panel Controls (See Section 5-1)	19
5-3. Remote Control (Optional)	20
SECTION 6 – OPERATING AUXILIARY EQUIPMENT	21
6-1. 120 Volt Duplex And Optional GFCI Receptacles	21
6-2. 240 Volt Duplex Receptacle (Optional)	22
6-3. Connecting Optional Auxiliary Power Plant	23
SECTION 7 – MAINTENANCE AND TROUBLESHOOTING	24
7-1. Routine Maintenance	24
7-2. Maintenance Label	25
7-3. Servicing Air Cleaner	26
7-4. Servicing Fuel System	27
7-5. Adjusting Engine Speed	28
7-6. Changing Engine Oil And Filter	29
7-7. Overload Protection	30
7-8. Inspecting And Cleaning Optional Spark Arrestor Muffler	31
7-9. Troubleshooting	31
SECTION 8 – ELECTRICAL DIAGRAMS	35
SECTION 9 – RUN-IN PROCEDURE	38
9-1. Wetstacking	38
9-2. Run-In Procedure Using Load Bank	39
9-3. Run-In Procedure Using Resistance Grid	40
SECTION 10 – AUXILIARY POWER GUIDELINES	41
SECTION 11 – PARTS LIST	48
OPTIONS AND ACCESSORIES	
WARRANTY	

SECTION 1 – SAFETY PRECAUTIONS - READ BEFORE USING

rom_nd_11/98

1-1. Symbol Usage



Means Warning! Watch Out! There are possible hazards with this procedure! The possible hazards are shown in the adjoining symbols.

▲ Marks a special safety message.

☞ Means "Note"; not safety related.



This group of symbols means Warning! Watch Out! possible ELECTRIC SHOCK, MOVING PARTS, and HOT PARTS hazards. Consult symbols and related instructions below for necessary actions to avoid the hazards.

1-2. Arc Welding Hazards

▲ The symbols shown below are used throughout this manual to call attention to and identify possible hazards. When you see the symbol, watch out, and follow the related instructions to avoid the hazard. The safety information given below is only a summary of the more complete safety information found in the Safety Standards listed in Section 1-5. Read and follow all Safety Standards.

▲ Only qualified persons should install, operate, maintain, and repair this unit.

▲ During operation, keep everybody, especially children, away.



ELECTRIC SHOCK can kill.

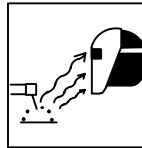
Touching live electrical parts can cause fatal shocks or severe burns. The electrode and work circuit is electrically live whenever the output is on. The input power circuit and machine internal circuits are also live when power is on. In semiautomatic or automatic wire welding, the wire, wire reel, drive roll housing, and all metal parts touching the welding wire are electrically live. Incorrectly installed or improperly grounded equipment is a hazard.

- Do not touch live electrical parts.
- Wear dry, hole-free insulating gloves and body protection.
- Insulate yourself from work and ground using dry insulating mats or covers big enough to prevent any physical contact with the work or ground.
- Do not use AC output in damp areas, if movement is confined, or if there is a danger of falling.
- Use AC output ONLY if required for the welding process.
- If AC output is required, use remote output control if present on unit.
- Disconnect input power or stop engine before installing or servicing this equipment. Lockout/tagout input power according to OSHA 29 CFR 1910.147 (see Safety Standards).
- Properly install and ground this equipment according to its Owner's Manual and national, state, and local codes.
- Always verify the supply ground – check and be sure that input power cord ground wire is properly connected to ground terminal in disconnect box or that cord plug is connected to a properly grounded receptacle outlet.
- When making input connections, attach proper grounding conductor first – double-check connections.
- Frequently inspect input power cord for damage or bare wiring – replace cord immediately if damaged – bare wiring can kill.
- Turn off all equipment when not in use.
- Do not use worn, damaged, undersized, or poorly spliced cables.
- Do not drape cables over your body.
- If earth grounding of the workpiece is required, ground it directly with a separate cable.
- Do not touch electrode if you are in contact with the work, ground, or another electrode from a different machine.
- Use only well-maintained equipment. Repair or replace damaged parts at once. Maintain unit according to manual.

- Wear a safety harness if working above floor level.
- Keep all panels and covers securely in place.
- Clamp work cable with good metal-to-metal contact to workpiece or worktable as near the weld as practical.
- Insulate work clamp when not connected to workpiece to prevent contact with any metal object.
- Do not connect more than one electrode or work cable to any single weld output terminal.

SIGNIFICANT DC VOLTAGE exists after stopping engine on inverters.

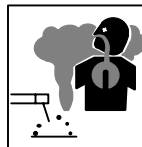
- Stop engine on inverter and discharge input capacitors according to instructions in Maintenance Section before touching any parts.



ARC RAYS can burn eyes and skin.

Arc rays from the welding process produce intense visible and invisible (ultraviolet and infrared) rays that can burn eyes and skin. Sparks fly off from the weld.

- Wear a welding helmet fitted with a proper shade of filter to protect your face and eyes from arc rays and sparks when welding or watching (see ANSI Z49.1 and Z87.1 listed in Safety Standards).
- Wear approved safety glasses with side shields under your helmet.
- Use protective screens or barriers to protect others from flash and glare; warn others not to watch the arc.
- Wear protective clothing made from durable, flame-resistant material (wool and leather) and foot protection.



FUMES AND GASES can be hazardous.

Welding produces fumes and gases. Breathing these fumes and gases can be hazardous to your health.

- Keep your head out of the fumes. Do not breathe the fumes.
- If inside, ventilate the area and/or use exhaust at the arc to remove welding fumes and gases.
- If ventilation is poor, use an approved air-supplied respirator.
- Read the Material Safety Data Sheets (MSDSs) and the manufacturer's instructions for metals, consumables, coatings, cleaners, and degreasers.
- Work in a confined space only if it is well ventilated, or while wearing an air-supplied respirator. Always have a trained watch-person nearby. Welding fumes and gases can displace air and lower the oxygen level causing injury or death. Be sure the breathing air is safe.
- Do not weld in locations near degreasing, cleaning, or spraying operations. The heat and rays of the arc can react with vapors to form highly toxic and irritating gases.
- Do not weld on coated metals, such as galvanized, lead, or cadmium plated steel, unless the coating is removed from the weld area, the area is well ventilated, and if necessary, while wearing an air-supplied respirator. The coatings and any metals containing these elements can give off toxic fumes if welded.

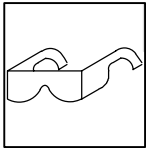


WELDING can cause fire or explosion.

Welding on closed containers, such as tanks, drums, or pipes, can cause them to blow up. Sparks can fly off from the welding arc. The flying sparks, hot workpiece, and hot equipment can cause fires and

burns. Accidental contact of electrode to metal objects can cause sparks, explosion, overheating, or fire. Check and be sure the area is safe before doing any welding.

- Protect yourself and others from flying sparks and hot metal.
- Do not weld where flying sparks can strike flammable material.
- Remove all flammables within 35 ft (10.7 m) of the welding arc. If this is not possible, tightly cover them with approved covers.
- Be alert that welding sparks and hot materials from welding can easily go through small cracks and openings to adjacent areas.
- Watch for fire, and keep a fire extinguisher nearby.
- Be aware that welding on a ceiling, floor, bulkhead, or partition can cause fire on the hidden side.
- Do not weld on closed containers such as tanks, drums, or pipes, unless they are properly prepared according to AWS F4.1 (see Safety Standards).
- Connect work cable to the work as close to the welding area as practical to prevent welding current from traveling long, possibly unknown paths and causing electric shock and fire hazards.
- Do not use welder to thaw frozen pipes.
- Remove stick electrode from holder or cut off welding wire at contact tip when not in use.
- Wear oil-free protective garments such as leather gloves, heavy shirt, cuffless trousers, high shoes, and a cap.
- Remove any combustibles, such as a butane lighter or matches, from your person before doing any welding.



FLYING METAL can injure eyes.

- Welding, chipping, wire brushing, and grinding cause sparks and flying metal. As welds cool, they can throw off slag.
- Wear approved safety glasses with side shields even under your welding helmet.



BUILDUP OF GAS can injure or kill.

- Shut off shielding gas supply when not in use.
- Always ventilate confined spaces or use approved air-supplied respirator.

1-3. Engine Hazards



FUEL can cause fire or explosion.

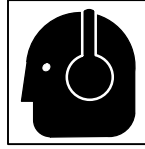
- Stop engine and let it cool off before checking or adding fuel.
- Do not add fuel while smoking or if unit is near any sparks or open flames.

- Do not overfill tank – allow room for fuel to expand.
- Do not spill fuel. If fuel is spilled, clean up before starting engine.
- Dispose of rags in a fireproof container.



HOT PARTS can cause severe burns.

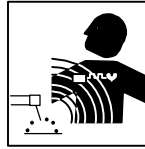
- Allow cooling period before maintaining.
- Wear protective gloves and clothing when working on a hot engine.
- Do not touch hot engine parts or just-welded parts bare-handed.



NOISE can damage hearing.

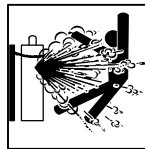
Noise from some processes or equipment can damage hearing.

- Wear approved ear protection if noise level is high.



MAGNETIC FIELDS can affect pacemakers.

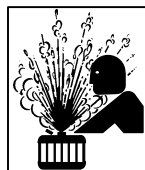
- Pacemaker wearers keep away.
- Wearers should consult their doctor before going near arc welding, gouging, or spot welding operations.



CYLINDERS can explode if damaged.

Shielding gas cylinders contain gas under high pressure. If damaged, a cylinder can explode. Since gas cylinders are normally part of the welding process, be sure to treat them carefully.

- Protect compressed gas cylinders from excessive heat, mechanical shocks, slag, open flames, sparks, and arcs.
- Install cylinders in an upright position by securing to a stationary support or cylinder rack to prevent falling or tipping.
- Keep cylinders away from any welding or other electrical circuits.
- Never drape a welding torch over a gas cylinder.
- Never allow a welding electrode to touch any cylinder.
- Never weld on a pressurized cylinder – explosion will result.
- Use only correct shielding gas cylinders, regulators, hoses, and fittings designed for the specific application; maintain them and associated parts in good condition.
- Turn face away from valve outlet when opening cylinder valve.
- Keep protective cap in place over valve except when cylinder is in use or connected for use.
- Read and follow instructions on compressed gas cylinders, associated equipment, and CGA publication P-1 listed in Safety Standards.



STEAM AND HOT COOLANT can burn.

- If possible, check coolant level when engine is cold to avoid scalding.
- Always check coolant level at overflow tank, if present on unit, instead of radiator (unless told otherwise in maintenance section or engine manual).
- If the engine is warm, checking is needed, and there is no overflow tank, follow the next two statements.

- Wear safety glasses and gloves and put a rag over radiator cap.
- Turn cap slightly and let pressure escape slowly before completely removing cap.



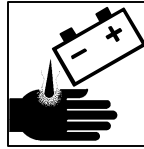
MOVING PARTS can cause injury.

- Keep away from fans, belts, and rotors.
- Keep all doors, panels, covers, and guards closed and securely in place.
- Stop engine before installing or connecting unit.
- Have only qualified people remove guards or covers for maintenance and troubleshooting as necessary.
- To prevent accidental starting during servicing, disconnect negative (-) battery cable from battery.
- Keep hands, hair, loose clothing, and tools away from moving parts.
- Reinstall panels or guards and close doors when servicing is finished and before starting engine.
- Before working on generator, remove spark plugs or injectors to keep engine from kicking back or starting.
- Block flywheel so that it will not turn while working on generator components.



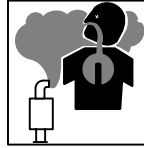
BATTERY EXPLOSION can BLIND.

- Always wear a face shield, rubber gloves, and protective clothing when working on a battery.
- Stop engine before disconnecting or connecting battery cables or servicing battery.
- Do not allow tools to cause sparks when working on a battery.
- Do not use welder to charge batteries or jump start vehicles.
- Observe correct polarity (+ and -) on batteries.
- Disconnect negative (-) cable first and connect it last.



BATTERY ACID can BURN SKIN and EYES.

- Do not tip battery.
- Replace damaged battery.
- Flush eyes and skin immediately with water.



ENGINE EXHAUST GASES can kill.

- Use equipment outside in open, well-ventilated areas.
- If used in a closed area, vent engine exhaust outside and away from any building air intakes.



ENGINE HEAT can cause fire.

- Do not locate unit on, over, or near combustible surfaces or flammables.
- Keep exhaust and exhaust pipes way from flammables.



EXHAUST SPARKS can cause fire.

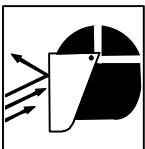
- Do not let engine exhaust sparks cause fire.
- Use approved engine exhaust spark arrestor in required areas – see applicable codes.

1-4. Additional Symbols For Installation, Operation, And Maintenance



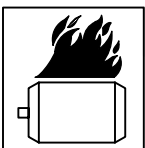
FALLING UNIT can cause injury.

- Use lifting eye to lift unit only, NOT running gear, gas cylinders, trailer, or any other accessories.
- Use equipment of adequate capacity to lift and support unit.
- If using lift forks to move unit, be sure forks are long enough to extend beyond opposite side of unit.



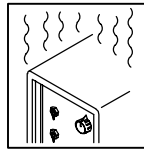
FLYING SPARKS can cause injury.

- Wear a face shield to protect eyes and face.
- Shape tungsten electrode only on grinder with proper guards in a safe location wearing proper face, hand, and body protection.
- Sparks can cause fires — keep flammables away.



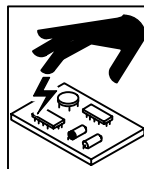
OVERHEATING can damage motors.

- Turn off or unplug equipment before starting or stopping engine.
- Do not let low voltage and frequency caused by low engine speed damage electric motors.
- Do not connect 50 or 60 Hertz motors to the 100 Hertz receptacle where applicable.



OVERUSE can cause OVERHEATING.

- Allow cooling period; follow rated duty cycle.
- Reduce current or reduce duty cycle before starting to weld again.
- Do not block or filter airflow to unit.



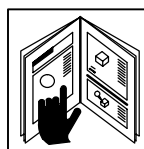
STATIC (ESD) can damage PC boards.

- Put on grounded wrist strap BEFORE handling boards or parts.
- Use proper static-proof bags and boxes to store, move, or ship PC boards.



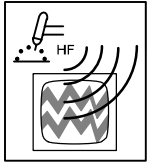
TILTING OF TRAILER can cause injury.

- Use tongue jack or blocks to support weight.
- Properly install welding generator onto trailer according to instructions supplied with trailer.



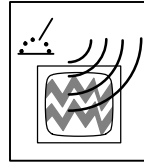
READ INSTRUCTIONS.

- Use only genuine MILLER replacement parts.
- Perform engine maintenance and service according to this manual and the engine manual.



H.F. RADIATION can cause interference.

- High-frequency (H.F.) can interfere with radio navigation, safety services, computers, and communications equipment.
- Have only qualified persons familiar with electronic equipment perform this installation.
- The user is responsible for having a qualified electrician promptly correct any interference problem resulting from the installation.
- If notified by the FCC about interference, stop using the equipment at once.
- Have the installation regularly checked and maintained.
- Keep high-frequency source doors and panels tightly shut, keep spark gaps at correct setting, and use grounding and shielding to minimize the possibility of interference.



ARC WELDING can cause interference.

- Electromagnetic energy can interfere with sensitive electronic equipment such as computers and computer-driven equipment such as robots.
- Be sure all equipment in the welding area is electromagnetically compatible.
- To reduce possible interference, keep weld cables as short as possible, close together, and down low, such as on the floor.
- Locate welding operation 100 meters from any sensitive electronic equipment.
- Be sure this welding machine is installed and grounded according to this manual.
- If interference still occurs, the user must take extra measures such as moving the welding machine, using shielded cables, using line filters, or shielding the work area.

1-5. Principal Safety Standards

Safety in Welding and Cutting, ANSI Standard Z49.1, from American Welding Society, 550 N.W. LeJeune Rd, Miami FL 33126

Safety and Health Standards, OSHA 29 CFR 1910, from Superintendent of Documents, U.S. Government Printing Office, Washington, D.C. 20402.

Recommended Safe Practices for the Preparation for Welding and Cutting of Containers That Have Held Hazardous Substances, American Welding Society Standard AWS F4.1, from American Welding Society, 550 N.W. LeJeune Rd, Miami, FL 33126

National Electrical Code, NFPA Standard 70, from National Fire Protection Association, Batterymarch Park, Quincy, MA 02269.

Safe Handling of Compressed Gases in Cylinders, CGA Pamphlet P-1, from Compressed Gas Association, 1235 Jefferson Davis Highway, Suite 501, Arlington, VA 22202.

Code for Safety in Welding and Cutting, CSA Standard W117.2, from Canadian Standards Association, Standards Sales, 178 Rexdale Boulevard, Rexdale, Ontario, Canada M9W 1R3.

Safe Practices For Occupation And Educational Eye And Face Protection, ANSI Standard Z87.1, from American National Standards Institute, 1430 Broadway, New York, NY 10018.

Cutting And Welding Processes, NFPA Standard 51B, from National Fire Protection Association, Batterymarch Park, Quincy, MA 02269.

1-6. EMF Information

Considerations About Welding And The Effects Of Low Frequency Electric And Magnetic Fields

Welding current, as it flows through welding cables, will cause electromagnetic fields. There has been and still is some concern about such fields. However, after examining more than 500 studies spanning 17 years of research, a special blue ribbon committee of the National Research Council concluded that: "The body of evidence, in the committee's judgment, has not demonstrated that exposure to power-frequency electric and magnetic fields is a human-health hazard." However, studies are still going forth and evidence continues to be examined. Until the final conclusions of the research are reached, you may wish to minimize your exposure to electromagnetic fields when welding or cutting.

To reduce magnetic fields in the workplace, use the following procedures:

1. Keep cables close together by twisting or taping them.
2. Arrange cables to one side and away from the operator.
3. Do not coil or drape cables around your body.
4. Keep welding power source and cables as far away from operator as practical.
5. Connect work clamp to workpiece as close to the weld as possible.

About Pacemakers:

Pacemaker wearers consult your doctor first. If cleared by your doctor, then following the above procedures is recommended.

SECTION 1 – CONSIGNES DE SÉCURITÉ – LIRE AVANT UTILISATION

rom_nd_fre 11/98

1-1. Signification des symboles



Signifie Mise en garde ! Soyez vigilant ! Cette procédure présente des risques de danger ! Ceux-ci sont identifiés par des symboles adjacents aux directives.

▲ Identifie un message de sécurité particulier.

☞ Signifie NOTA ; n'est pas relatif à la sécurité.



Ce groupe de symboles signifie Mise en garde ! Soyez vigilant ! Il y a des risques de danger reliés aux CHOCS ÉLECTRIQUES, aux PIÈCES EN MOUVEMENT et aux PIÈCES CHAUDES. Reportez-vous aux symboles et aux directives ci-dessous afin de connaître les mesures à prendre pour éviter tout danger.

1-2. Dangers relatifs au soudage à l'arc

▲ Les symboles présentés ci-après sont utilisés tout au long du présent manuel pour attirer votre attention et identifier les risques de danger. Lorsque vous voyez un symbole, soyez vigilant et suivez les directives mentionnées afin d'éviter tout danger. Les consignes de sécurité présentées ci-après ne font que résumer l'information contenue dans les normes de sécurité énumérées à la section 1-5. Veuillez lire et respecter toutes ces normes de sécurité.

▲ L'installation, l'utilisation, l'entretien et les réparations ne doivent être confiés qu'à des personnes qualifiées.

▲ Au cours de l'utilisation, tenir toute personne à l'écart et plus particulièrement les enfants.



UN CHOC ÉLECTRIQUE peut tuer.

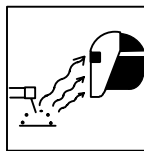
Un simple contact avec des pièces électriques peut provoquer une électrocution ou des blessures graves. L'électrode et le circuit de soudage sont sous tension dès que l'appareil est sur ON. Le circuit d'entrée et les circuits internes de l'appareil sont également sous tension à ce moment-là. En soudage semi-automatique ou automatique, le fil, le dévidoir, le logement des galets d'entraînement et les pièces métalliques en contact avec le fil de soudage sont sous tension. Des matériels mal installés ou mal mis à la terre présentent un danger.

- Ne jamais toucher les pièces électriques sous tension.
- Porter des gants et des vêtements de protection secs ne comportant pas de trous.
- S'isoler de la pièce et de la terre au moyen de tapis ou d'autres moyens isolants suffisamment grands pour empêcher le contact physique éventuel avec la pièce ou la terre.
- Ne pas se servir de source électrique à courant électrique dans les zones humides, dans les endroits confinés ou là où on risque de tomber.
- Se servir d'une source électrique à courant électrique UNIQUEMENT si le procédé de soudage le demande.
- Si l'utilisation d'une source électrique à courant électrique s'avère nécessaire, se servir de la fonction de télécommande si l'appareil en est équipé.
- Couper l'alimentation ou arrêter le moteur avant de procéder à l'installation, à la réparation ou à l'entretien de l'appareil. Déverrouiller l'alimentation selon la norme OSHA 29 CFR 1910.147 (voir normes de sécurité).
- Installer et mettre à la terre correctement cet appareil conformément à son manuel d'utilisation et aux codes nationaux, provinciaux et municipaux.
- Toujours vérifier la terre du cordon d'alimentation – Vérifier et s'assurer que le fil de terre du cordon d'alimentation est bien raccordé à la borne de terre du sectionneur ou que la fiche du cordon est raccordée à une prise correctement mise à la terre.
- En effectuant les raccordements d'entrée fixer d'abord le conducteur de mise à la terre approprié et contre-vérifier les connexions.
- Vérifier fréquemment le cordon d'alimentation pour voir s'il n'est pas endommagé ou dénudé – remplacer le cordon immédiatement s'il est endommagé – un câble dénudé peut provoquer une électrocution.
- Mettre l'appareil hors tension quand on ne l'utilise pas.
- Ne pas utiliser des câbles usés, endommagés, de grosseur insuffisante ou mal épissés.
- Ne pas enrouler les câbles autour du corps.
- Si la pièce soudée doit être mise à la terre, la faire directement avec un câble distinct – ne pas utiliser le connecteur de pièce ou le câble de retour.
- Ne pas toucher l'électrode quand on est en contact avec la pièce, la terre ou une électrode provenant d'une autre machine.

- N'utiliser qu'un matériel en bon état. Réparer ou remplacer sur-le-champ les pièces endommagées. Entretenir l'appareil conformément à ce manuel.
- Porter un harnais de sécurité quand on travaille en hauteur.
- Maintenir solidement en place tous les panneaux et capots.
- Fixer le câble de retour de façon à obtenir un bon contact métal-métal avec la pièce à souder ou la table de travail, le plus près possible de la soudure.
- Isoler la pince de masse quand pas mis à la pièce pour éviter le contact avec tout objet métallique.

Une tension DC importante subsiste à l'intérieur des onduleurs après avoir coupé l'alimentation.

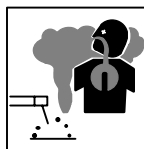
- Couper l'alimentation du poste et décharger les condensateurs d'entrée comme indiqué dans la Section Maintenance avant de toucher des composants.



LES RAYONS DE L'ARC peuvent provoquer des brûlures dans les yeux et sur la peau.

Le rayonnement de l'arc du procédé de soudage génère des rayons visibles et invisibles intenses (ultraviolets et infrarouges) susceptibles de provoquer des brûlures dans les yeux et sur la peau. Des étincelles sont projetées pendant le soudage.

- Porter un casque de soudage muni d'un écran de filtre approprié pour protéger votre visage et vos yeux pendant le soudage ou pour regarder (voir ANSI Z49.1 et Z87.1 énuméré dans les normes de sécurité).
- Porter des protections approuvés pour les oreilles si le niveau sonore est trop élevé.
- Utiliser des écrans ou des barrières pour protéger des tiers de l'éclair et de l'éblouissement; demander aux autres personnes de ne pas regarder l'arc.
- Porter des vêtements de protection constitué dans une matière durable, résistant au feu (laine ou cuir) et une protection des pieds.



LES FUMÉES ET LES GAZ peuvent être dangereux.

Le soudage génère des fumées et des gaz. Leur inhalation peut être dangereuse pour votre santé.

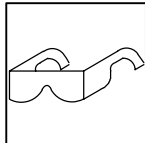
- Eloigner votre tête des fumées. Ne pas respirer les fumées.
- À l'intérieur, ventiler la zone et/ou utiliser un échappement au niveau de l'arc pour l'évacuation des fumées et des gaz de soudage.
- Si la ventilation est insuffisante, utiliser un respirateur à alimentation d'air homologué.
- Lire les spécifications de sécurité des matériaux (MSDSs) et les instructions du fabricant concernant les métaux, les consommables, les revêtements, les nettoyants et les dégraissants.
- Travailler dans un espace fermé seulement s'il est bien ventilé ou en portant un respirateur à alimentation d'air. Demander toujours à un surveillant dûment formé de se tenir à proximité. Des fumées et des gaz de soudage peuvent déplacer l'air et abaisser le niveau d'oxygène provoquant des blessures ou des accidents mortels. S'assurer que l'air de respiration ne présente aucun danger.
- Ne pas souder dans des endroits situés à proximité d'opérations de dégraissage, de nettoyage ou de pulvérisation. La chaleur et les rayons de l'arc peuvent réagir en présence de vapeurs et former des gaz hautement toxiques et irritants.
- Ne pas souder des métaux munis d'un revêtement, tels que l'acier galvanisé, plaqué en plomb ou au cadmium à moins que le revêtement n'ait été enlevé dans la zone de soudure, que l'endroit soit bien ventilé, et si nécessaire, en portant un respirateur à alimentation d'air. Les revêtements et tous les métaux renfermant ces éléments peuvent dégager des fumées toxiques en cas de soudage.



LE SOUDAGE peut provoquer un incendie ou une explosion.

Le soudage effectué sur des conteneurs fermés tels que des réservoirs, tambours ou des conduites peut provoquer leur éclatement. Des étincelles peuvent être projetées de l'arc de soudure. La projection d'étincelles, des pièces chaudes et des équipements chauds peut provoquer des incendies et des brûlures. Le contact accidentel de l'électrode avec des objets métalliques peut provoquer des étincelles, une explosion, un surchauffement ou un incendie. Avant de commencer le soudage, vérifier et s'assurer que l'endroit ne présente pas de danger.

- Se protéger et d'autres personnes de la projection d'étincelles et de métal chaud.
- Ne pas souder dans un endroit où des étincelles peuvent tomber sur des substances inflammables.
- Déplacer toutes les substances inflammables à une distance de 10,7 m de l'arc de soudage. En cas d'impossibilité les recouvrir soigneusement avec des protections homologuées.
- Des étincelles et des matériaux chauds du soudage peuvent facilement passer dans d'autres zones en traversant de petites fissures et des ouvertures.
- Surveiller tout déclenchement d'incendie et tenir un extincteur à proximité.
- Le soudage effectué sur un plafond, plancher, paroi ou séparation peut déclencher un incendie de l'autre côté.
- Ne pas effectuer le soudage sur des conteneurs fermés tels que des réservoirs, tambours, ou conduites, à moins qu'ils n'aient été préparés correctement conformément à AWS F4.1 (voir les normes de sécurité).
- Brancher le câble sur la pièce la plus près possible de la zone de soudage pour éviter le transport du courant sur une longue distance par des chemins inconnus éventuels en provoquant des risques d'électrocution et d'incendie.
- Ne pas utiliser le poste de soudage pour dégeler des conduites gelées.
- En cas de non utilisation, enlever la bague d'électrode du porte-électrode ou couper le fil à la pointe de contact.
- Porter des vêtements de protection dépourvus d'huile tels que des gants en cuir, une chemise en matériau lourd, des pantalons sans revers, des chaussures hautes et un couvre chef.
- Avant de souder, retirer toute substance combustible de vos poches telles qu'un allumeur au butane ou des allumettes.



DES PARTICULES VOLANTES peuvent blesser les yeux.

- Le soudage, l'écaillage, le passage de la pièce à la brosse en fil de fer, et le meulage génèrent des étincelles et des particules métalliques volantes.

Pendant la période de refroidissement des soudures, elles risquent de projeter du laitier.

- Porter des lunettes de sécurité avec écrans latéraux ou un écran facial.



LES ACCUMULATIONS DE GAZ risquent de provoquer des blessures ou même la mort.

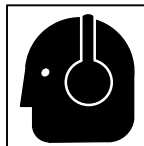
- Fermer l'alimentation du gaz protecteur en cas de non utilisation.

- Veiller toujours à bien aérer les espaces confinés ou se servir d'un respirateur d'adduction d'air homologué.



DES PIÈCES CHAUDES peuvent provoquer des brûlures graves.

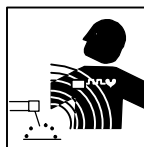
- Prévoir une période de refroidissement avant d'effectuer des travaux d'entretien.
- Porter des gants et des vêtements de protection pour travailler sur un moteur chaud.
- Ne pas toucher à mains nues les parties chaudes du moteur ni les pièces récemment soudées.



LE BRUIT peut affecter l'ouïe.

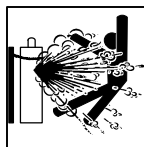
Le bruit des processus et des équipements peut affecter l'ouïe.

- Porter des protections approuvés pour les oreilles si le niveau sonore est trop élevé.



LES CHAMPS MAGNÉTIQUES peuvent affecter les stimulateurs cardiaques.

- Porteurs de stimulateur cardiaque, restez à distance.
- Les porteurs d'un stimulateur cardiaque doivent d'abord consulter leur médecin avant de s'approcher des opérations de soudage à l'arc, de gougeage ou de soudage par points.



Si des BOUTEILLES sont endommagées, elles pourront exploser.

Des bouteilles de gaz protecteur contiennent du gaz sous haute pression. Si une bouteille est endommagée, elle peut exploser. Du fait que les bouteilles de gaz font normalement partie du procédé de soudage, les manipuler avec précaution.

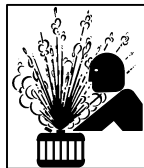
- Protéger les bouteilles de gaz comprimé d'une chaleur excessive, des chocs mécaniques, du laitier, des flammes ouvertes, des étincelles et des arcs.
- Placer les bouteilles debout en les fixant dans un support stationnaire ou dans un porte-bouteilles pour les empêcher de tomber ou de se renverser.
- Tenir les bouteilles éloignées des circuits de soudage ou autres circuits électriques.
- Ne jamais placer une torche de soudage sur une bouteille à gaz.
- Une électrode de soudage ne doit jamais entrer en contact avec une bouteille.
- Ne jamais souder une bouteille pressurisée – risque d'explosion.
- Utiliser seulement des bouteilles de gaz protecteur, régulateurs, tuyaux et raccords convenables pour cette application spécifique; les maintenir ainsi que les éléments associés en bon état.
- Ne pas tenir la tête en face de la sortie en ouvrant la soupape de la bouteille.
- Maintenir le chapeau de protection sur la soupape, sauf en cas d'utilisation ou de branchement de la bouteille.
- Lire et suivre les instructions concernant les bouteilles de gaz comprimé, les équipements associés et les publication P-1 CGA énumérées dans les normes de sécurité.

1-3. Dangers existant en relation avec le moteur



LE CARBURANT MOTEUR peut provoquer un incendie ou une explosion.

- Arrêter le moteur avant de vérifier le niveau de carburant ou de faire le plein.
- Ne pas faire le plein en fumant ou proche d'une source d'étincelles ou d'une flamme nue.
- Ne pas faire le plein de carburant à ras bord; prévoir de l'espace pour son expansion.
- Faire attention de ne pas renverser de carburant. Nettoyer tout carburant renversé avant de faire démarrer le moteur.
- Jeter les chiffons dans un récipient ignifuge.



LA VAPEUR ET LE LIQUIDE DE REFROIDISSEMENT CHAUD peuvent provoquer des brûlures.

- Il est préférable de vérifier le liquide de refroidissement une fois le moteur refroidi pour éviter de se brûler.
- Toujours vérifier le niveau de liquide de refroidissement dans le vase d'expansion (si présent), et non dans le radiateur (sauf si précisé autrement dans la section maintenance du manuel du moteur).
- Si le moteur est chaud et que le liquide doit être vérifié, opérer comme suivant :
- Mettre des lunettes de sécurité et des gants, placer un torchon sur le bouchon du radiateur.
- Dévisser le bouchon légèrement et laisser la vapeur s'échapper avant d'enlever le bouchon.



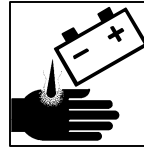
DES ORGANES MOBILES peuvent provoquer des blessures.

- Ne pas approcher les mains des ventilateurs, courroies et autres pièces en mouvement.
- Maintenir fermés et fixement en place les portes, panneaux, recouvrements et dispositifs de protection.
- Arrêter le moteur avant d'installer ou brancher l'appareil.
- Demander seulement à un personnel qualifié d'enlever les dispositifs de sécurité ou les recouvrements pour effectuer, s'il y a lieu, des travaux d'entretien et de dépannage.
- Pour empêcher tout démarrage accidentel pendant les travaux d'entretien, débrancher le câble négatif (-) de batterie de la borne.
- Ne pas approcher les mains, cheveux, vêtements lâches et outils des organes mobiles.
- Remettre en place les panneaux ou les dispositifs de protection et fermer les portes à la fin des travaux d'entretien et avant de faire démarrer le moteur.
- Avant d'intervenir, déposer les bougies ou injecteurs pour éviter la mise en route accidentelle du moteur.
- Bloquer le volant moteur pour éviter sa rotation lors d'une intervention sur le générateur.



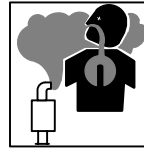
L'EXPLOSION DE LA BATTERIE peut RENDRE AVEUGLE.

- Toujours porter une protection faciale, des gants en caoutchouc et vêtements de protection lors d'une intervention sur la batterie.
- Arrêter le moteur avant de débrancher ou de brancher les câbles de batterie.
- Eviter de provoquer des étincelles avec les outils en travaillant sur la batterie.
- Ne pas utiliser le poste de soudage pour charger les batteries ou des véhicules de démarrage rapide.
- Observer la polarité correcte (+ et -) sur les batteries.
- Débrancher le câble négatif (-) en premier lieu. Le rebrancher en dernier lieu.



L'ACIDE DE LA BATTERIE peut provoquer des brûlures dans les YEUX et sur la PEAU.

- Ne pas renverser la batterie.
- Remplacer une batterie endommagée.
- Rincer immédiatement les yeux et la peau à l'eau.



LES GAZ D'ÉCHAPPEMENT DU MOTEUR peuvent provoquer des accidents mortels.

- Utiliser l'équipement à l'extérieur dans des zones ouvertes et bien ventilées.
- En cas d'utilisation dans un endroit fermé évacuer les gaz d'échappement du moteur vers l'extérieur à distance des entrées d'air dans les bâtiments.



LA CHALEUR DU MOTEUR peut provoquer un incendie.

- Ne pas placer l'appareil sur, au-dessus ou à proximité de surfaces inflammables.
- Tenir à distance les produits inflammables de l'échappement.



LES ÉTINCELLES À L'ÉCHAPPEMENT peuvent provoquer un incendie.

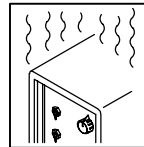
- Empêcher les étincelles d'échappement du moteur de provoquer un incendie.
- Utiliser uniquement un pare-étincelles approuvé – voir codes en vigueur.

1-4. Dangers supplémentaires en relation avec l'installation, le fonctionnement et la maintenance



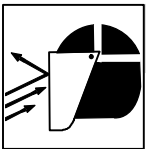
LA CHUTE DE L'APPAREIL peut blesser.

- Utiliser l'anneau de levage uniquement pour soulever l'appareil lui-même ; sans chariot, de bouteilles de gaz, remorque, ou autres accessoires.
- Utiliser un équipement de levage de capacité suffisante pour lever l'appareil.
- En utilisant des fourches de levage pour déplacer l'unité, s'assurer que les fourches sont suffisamment longues pour dépasser du côté opposé de l'appareil.



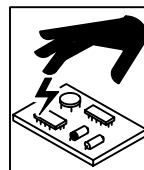
L'EMPLOI EXCESSIF peut SURCHAUFFER L'ÉQUIPEMENT.

- Laisser l'équipement refroidir ; respecter le facteur de marche nominal.
- Réduire le courant ou le facteur de marche avant de poursuivre le soudage.
- Ne pas obstruer les passages d'air du poste.



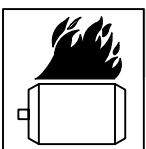
LES ÉTINCELLES VOLANTES risquent de provoquer des blessures.

- Porter un écran facial pour protéger le visage et les yeux.
- Affûter l'électrode au tungstène uniquement à la meuleuse dotée de protecteurs. Cette manoeuvre est à exécuter dans un endroit sûr lorsque l'on porte l'équipement homologué de protection du visage, des mains et du corps.
- Les étincelles risquent de causer un incendie – éloigner toute substance inflammable.



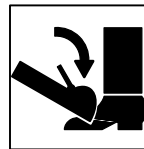
LES CHARGES ÉLECTROSTATIQUES peuvent endommager les circuits imprimés.

- Établir la connexion avec la barrette de terre avant de manipuler des cartes ou des pièces.
- Utiliser des pochettes et des boîtes antistatiques pour stocker, déplacer ou expédier des cartes de circuits imprimés.



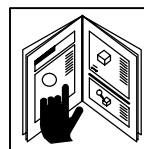
LE SURCHAUFFEMENT peut endommager le moteur électrique.

- Arrêter ou déconnecter l'équipement avant de démarrer ou d'arrêter le moteur.
- Ne pas laisser tourner le moteur trop lentement sous risque d'endommager le moteur électrique à cause d'une tension et d'une fréquence trop faibles.
- Ne pas brancher de moteur de 50 ou de 60 Hz à la prise de 100 Hz, s'il y a lieu.



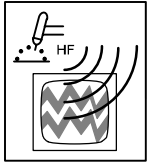
UNE REMORQUE QUI BASCULE peut entraîner des blessures.

- Utiliser les supports de la remorque ou des blocs pour soutenir le poids.
- Installer convenablement le poste sur la remorque comme indiqué dans le manuel s'y rapportant.



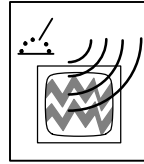
LIRE LES INSTRUCTIONS.

- Utiliser seulement les pièces de rechange d'origine.
- Effectuer la maintenance et la mise en service d'après le manuel et celui du moteur.



LE RAYONNEMENT HAUTE FRÉQUENCE (H.F.) risque de provoquer des interférences.

- Le rayonnement haute fréquence (H.F.) peut provoquer des interférences avec les équipements de radio-navigation et de communication, les services de sécurité et les ordinateurs.
- Demander seulement à des personnes qualifiées familiarisées avec des équipements électroniques de faire fonctionner l'installation.
- L'utilisateur est tenu de faire corriger rapidement par un électricien qualifié les interférences résultant de l'installation.
- Si le FCC signale des interférences, arrêter immédiatement l'appareil.
- Effectuer régulièrement le contrôle et l'entretien de l'installation.
- Maintenir soigneusement fermés les portes et les panneaux des sources de haute fréquence, maintenir les éclateurs à une distance correcte et utiliser une terre et un blindage pour réduire les interférences éventuelles.



LE SOUDAGE À L'ARC risque de provoquer des interférences.

- L'énergie électromagnétique risque de provoquer des interférences pour l'équipement électronique sensible tel que les ordinateurs et l'équipement commandé par ordinateur tel que les robots.
- Veiller à ce que tout l'équipement de la zone de soudage soit compatible électromagnétiquement.
- Pour réduire la possibilité d'interférence, maintenir les câbles de soudage aussi courts que possible, les grouper, et les poser aussi bas que possible (ex. par terre).
- Veiller à souder à une distance de 100 mètres de tout équipement électronique sensible.
- Veiller à ce que ce poste de soudage soit posé et mis à la terre conformément à ce mode d'emploi.
- En cas d'interférences après avoir pris les mesures précédentes, il incombe à l'utilisateur de prendre des mesures supplémentaires telles que le déplacement du poste, l'utilisation de câbles blindés, l'utilisation de filtres de ligne ou la pose de protecteurs dans la zone de travail.

1-5. Principales normes de sécurité

Safety in Welding and Cutting, norme ANSI Z49.1, de l'American Welding Society, 550 N.W. Lejeune Rd, Miami FL 33126

Safety and Health Standards, OSHA 29 CFR 1910, du Superintendent of Documents, U.S. Government Printing Office, Washington, D.C. 20402.

Recommended Safe Practice for the Preparation for Welding and Cutting of Containers That Have Held Hazardous Substances, norme AWS F4.1, de l'American Welding Society, 550 N.W. Lejeune Rd, Miami FL 33126

National Electrical Code, NFPA Standard 70, de la National Fire Protection Association, Batterymarch Park, Quincy, MA 02269.

Safe Handling of Compressed Gases in Cylinders, CGA Pamphlet P-1, de la Compressed Gas Association, 1235 Jefferson Davis Highway, Suite 501, Arlington, VA 22202.

Règles de sécurité en soudage, coupage et procédés connexes, norme CSA W117.2, de l'Association canadienne de normalisation, vente de normes, 178 Rexdale Boulevard, Rexdale (Ontario) Canada M9W 1R3.

Safe Practices For Occupation And Educational Eye And Face Protection, norme ANSI Z87.1, de l'American National Standards Institute, 1430 Broadway, New York, NY 10018.

Cutting and Welding Processes, norme NFPA 51B, de la National Fire Protection Association, Batterymarch Park, Quincy, MA 02269.

1-6. Information sur les champs électromagnétiques

Données sur le soudage électrique et sur les effets, pour l'organisme, des champs magnétiques basse fréquence

Le courant de soudage, pendant son passage dans les câbles de soudage, causera des champs électromagnétiques. Il y a eu et il y a encore un certain souci à propos de tels champs. Cependant, après avoir examiné plus de 500 études qui ont été faites pendant une période de recherche de 17 ans, un comité spécial ruban bleu du National Research Council a conclu: "L'accumulation de preuves, suivant le jugement du comité, n'a pas démontré que l'exposition aux champs magnétiques et champs électriques à haute fréquence représente un risque à la santé humaine". Toutefois, des études sont toujours en cours et les preuves continuent à être examinées. En attendant que les conclusions finales de la recherche soient établies, il vous serait souhaitable de réduire votre exposition aux champs électromagnétiques pendant le soudage ou le coupage.

Afin de réduire les champs électromagnétiques dans l'environnement de travail, respecter les consignes suivantes :

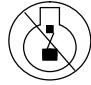



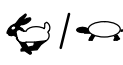
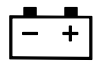

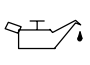
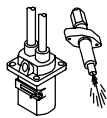
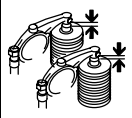









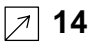
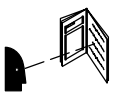
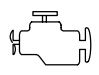









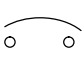
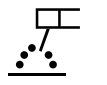


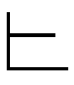
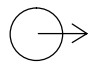
- 1 Garder les câbles ensemble en les torsadant ou en les attachant avec du ruban adhésif.
- 2 Mettre tous les câbles du côté opposé de l'opérateur.
- 3 Ne pas courber pas et ne pas entourer pas les câbles autour de votre corps.
- 4 Garder le poste de soudage et les câbles le plus loin possible de vous.
- 5 Relier la pince de masse le plus près possible de la zone de soudure.

Consignes relatives aux stimulateurs cardiaques :

Les personnes qui portent un stimulateur cardiaque doivent avant tout consulter leur docteur. Si vous êtes déclaré apte par votre docteur, il est alors recommandé de respecter les consignes ci-dessus.

SECTION 2 – DEFINITIONS

2-1. Symbols And Definitions

	Stop Engine		Fast (Run, Weld/Power)		Slow (Idle)		Start Engine
	Fast/Slow (Run/Idle)		Battery (Engine)		Glow Plug		Engine Oil
	Check Injectors/Pump		Check Valve Clearance		Fuel		Protective Earth (Ground)
	Positive		Negative		Certified/Trained Mechanic		Welding Arc
	Amperes		Volts		Panel/Local		Remote 14
	Read Operator's Manual		Engine		Temperature		Engine Coolant Temperature
	Alternating Current		Time		Hours		Seconds
	Do Not Switch While Welding		Single Phase		Three Phase		Circuit Breaker
	Stick Welding (SMAW)		Constant Current (CC)		MIG Welding (GMAW)		Constant Voltage (CV)
	Output						

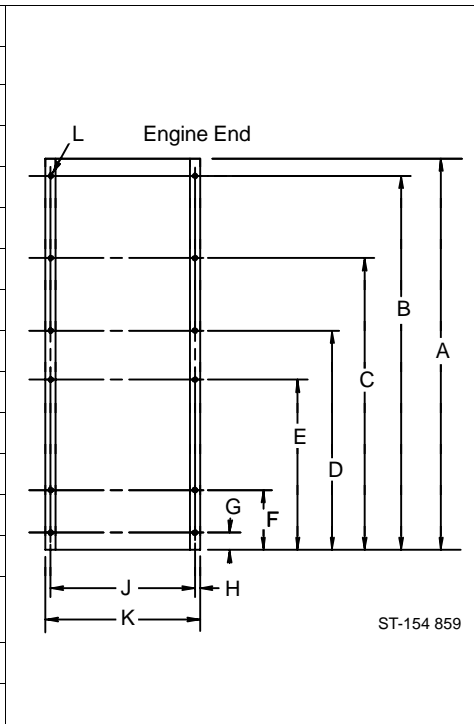
SECTION 3 – SPECIFICATIONS

3-1. Weld, Power, And Engine Specifications

Welding Mode	Weld Output Range	Rated Welding Output	Maximum Open-Circuit Voltage	Auxiliary Power Rating	Engine	Fuel Capacity
CC/DC	50 – 440 A	375 A, 35 Volts DC, 50% Duty Cycle 300 A, 32 Volts DC, 100% Duty Cycle	95	Single-Phase, 3 kVA/kW, 26 A, 120 V AC, 60 Hz	Teledyne-Continental TMD-20 Water-Cooled, Three-Cylinder, 30 HP Diesel Engine	16 gal (60.6 L)
CV/DC (Optional)	14 – 38 V	300 A, 32 Volts DC, 100% Duty Cycle	40			

3-2. Dimensions, Weights, And Operating Angles

Dimensions	
Height	48-3/4 in (1238 mm)
Width	24-5/8 in (625 mm)
Depth	64-1/2 in (1638 mm)
A	62 in (1575 mm)
B	59-1/8 in (1502 mm)
C	46-1/4 in (1175 mm)
D	34-3/4 in (883 mm)
E	26-15/16 in (684 mm)
F	9-1/2 in (241 mm)
G	2-7/8 in (73 mm)
H	7/8 in (22 mm)
J	23-1/4 in (591 mm)
K	24-5/8 in (625 mm)
L	21/32 in (16.7 mm) Dia. 12 Holes
Weight	
1510 lb (685 kg)	

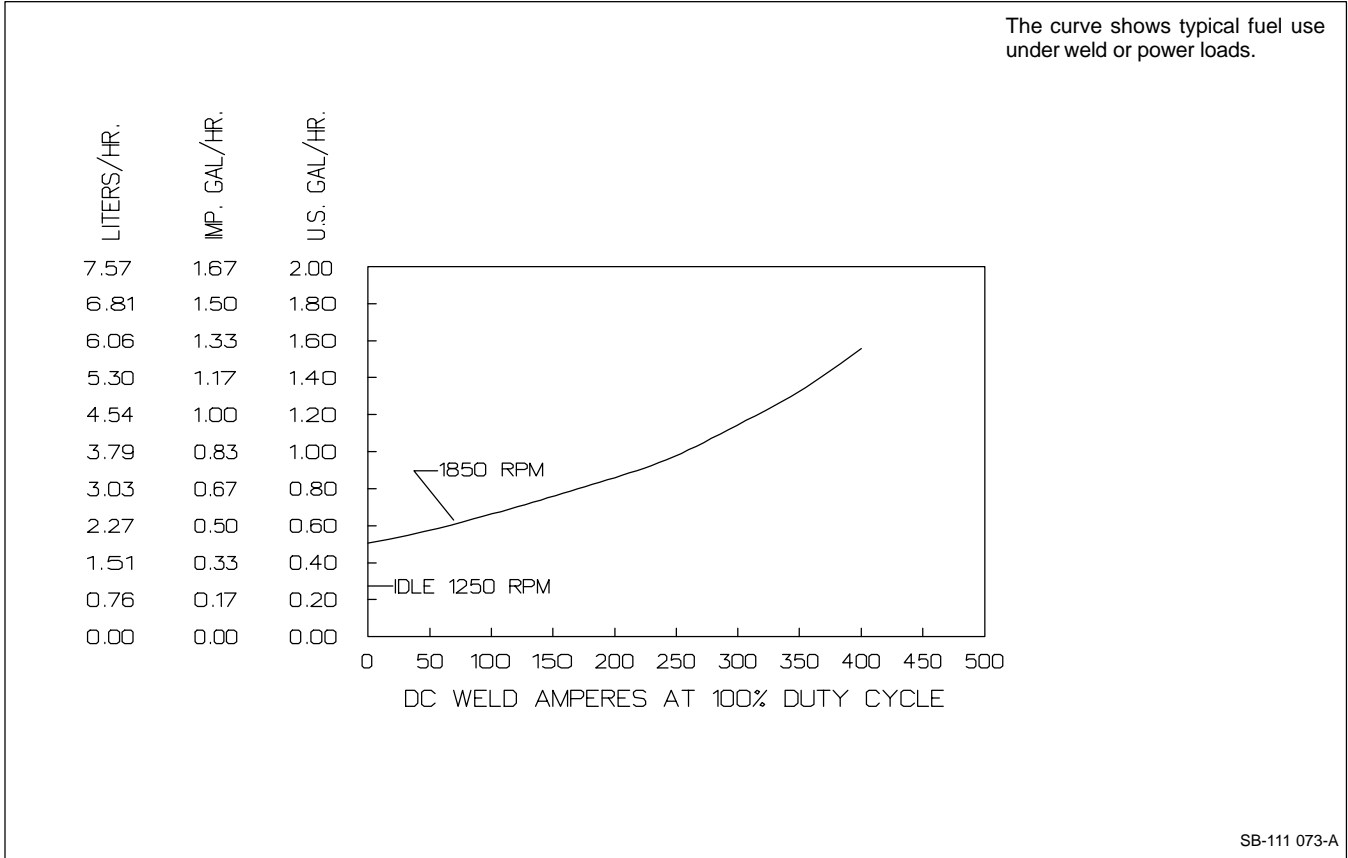


▲ Do not exceed tilt angles or engine could be damaged or unit could tip.

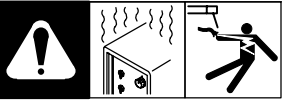
▲ Do not move or operate unit where it could tip.

angles_1 3/96

3-3. Fuel Consumption



3-4. Duty Cycle And Overheating

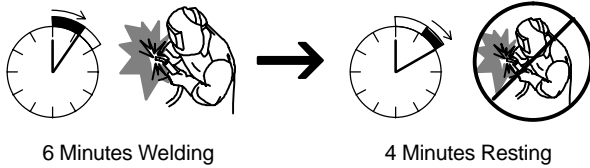


Duty Cycle is percentage of 10 minutes that unit can weld at rated load without overheating.

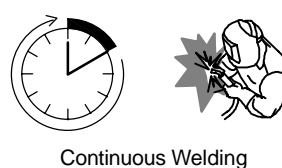
▲ Exceeding duty cycle can damage unit and void warranty.



60% Duty Cycle At 350 Amperes



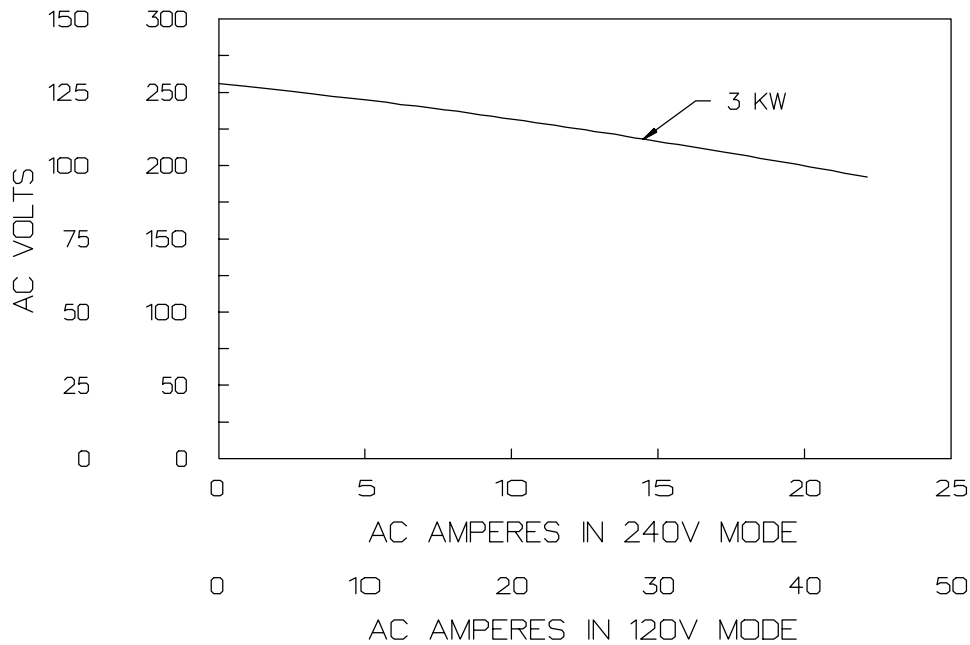
100% Duty Cycle At 300 Amperes



rduty1 5/95 – SB-111 076-A

3-5. AC Auxiliary Power

The ac power curve shows the auxiliary power in amperes available at the 120 and 240 volt receptacles.

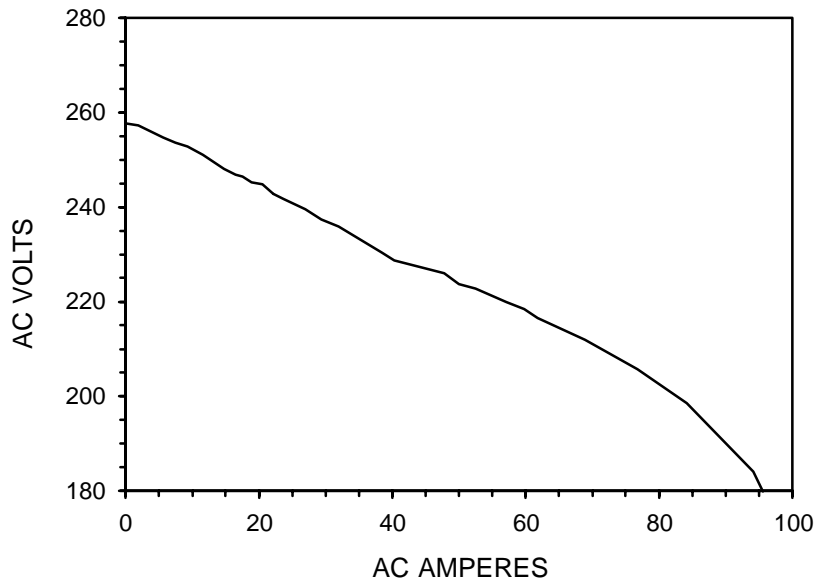


rsb3.1 2/92 – ST-109 365-C

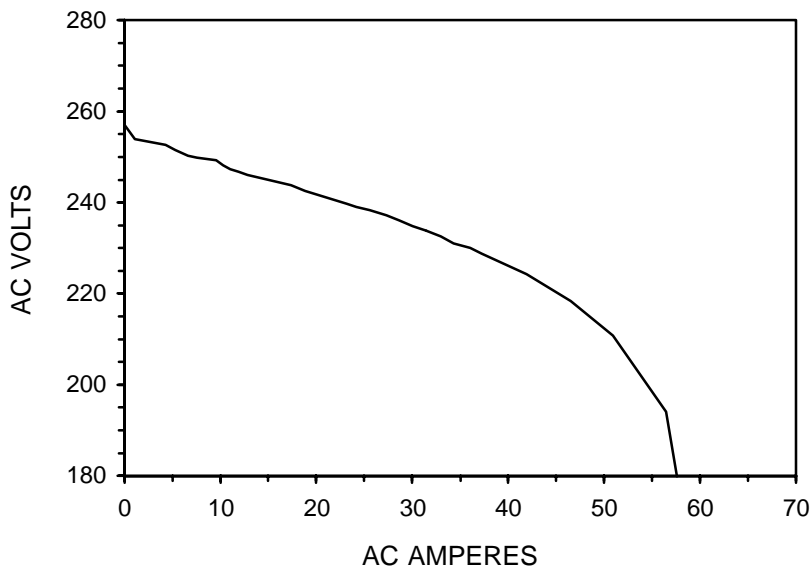
3-6. Optional AC Power Plant Curves

The ac power curves show the auxiliary power in amperes available at the single-phase 120/240 volt or three-phase 240 volt terminals.

A. 8.5 KVA/KW Single-Phase Auxiliary Power Plant (No Weld Load)

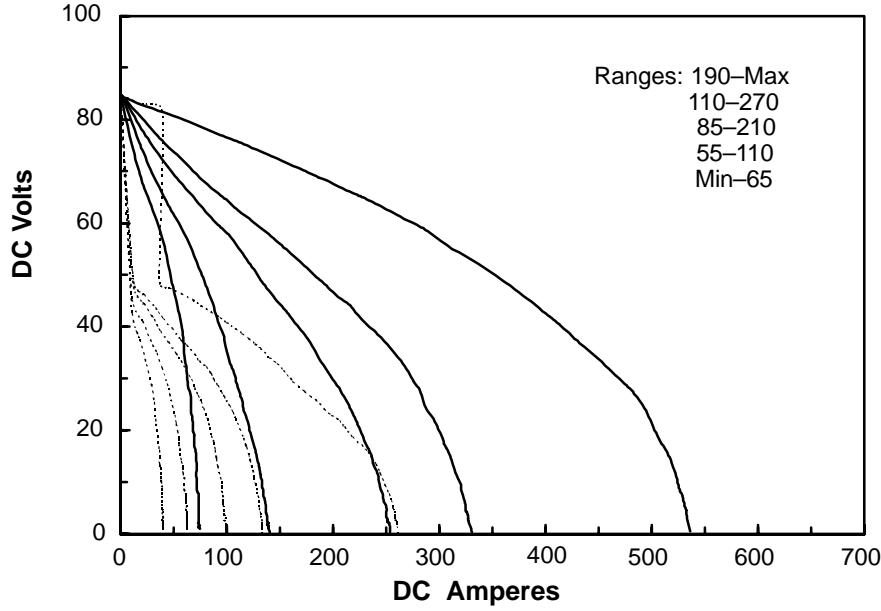


B. 12.5 KVA/KW Three-Phase Auxiliary Power Plant (No Weld Load)



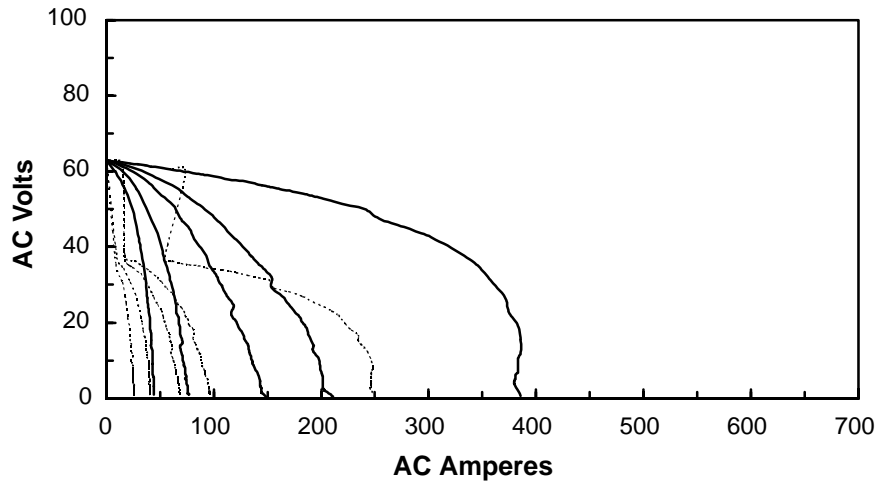
3-7. Volt-Ampere Curves

A. CC/DC (Standard)

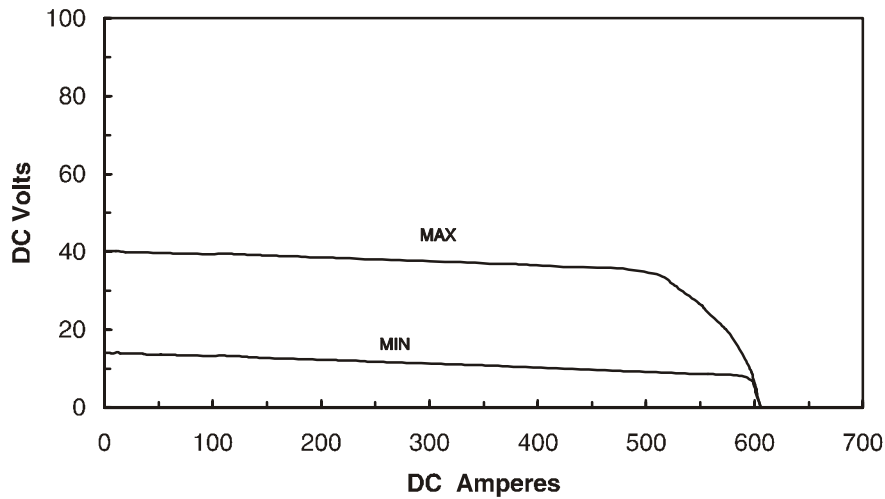


The volt-ampere curve shows the minimum and maximum voltage and amperage output capabilities of the welding generator. Curves of all other settings fall between the curves shown.

B. CC/AC (Models with Optional Polarity/AC Selector Switch)

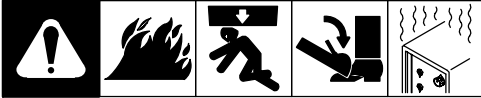


C. CV/DC (Models with Optional CV-3 Module)



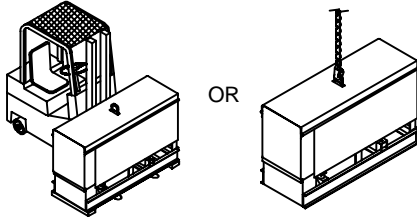
SECTION 4 – INSTALLATION

4-1. Installing Welding Generator

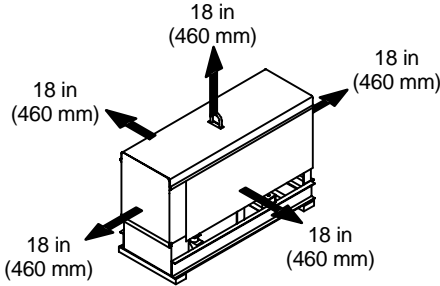


Movement

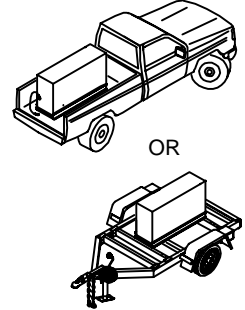
▲ Do Not Lift Unit From End



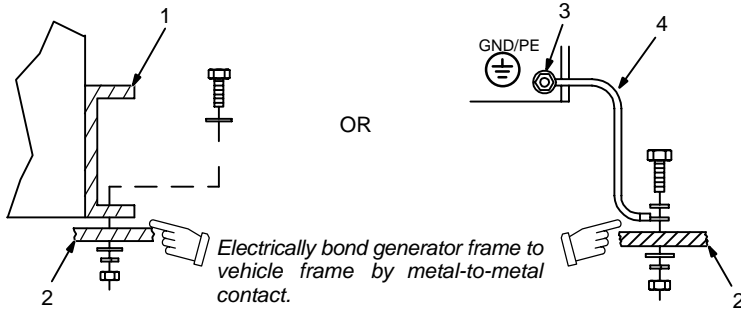
Airflow Clearance



Location



Grounding



Electrically bond generator frame to vehicle frame by metal-to-metal contact.

▲ Always ground generator frame to vehicle frame to prevent electric shock and static electricity hazards.

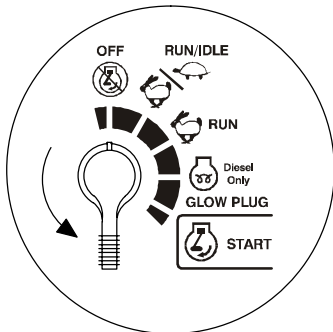
- 1 Generator Base
- 2 Metal Vehicle Frame
- 3 Equipment Grounding Terminal
- 4 Grounding Cable

Use #10 AWG or larger insulated copper wire.

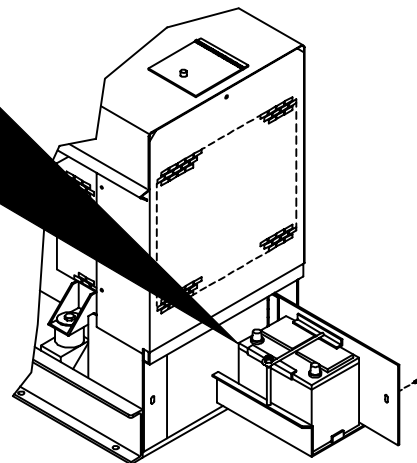
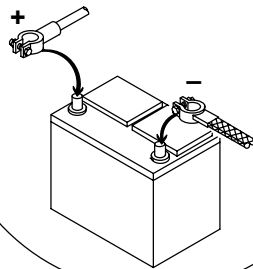
▲ If unit does not have GFCI receptacles, use GFCI-protected extension cord.

install1 12/99 – Ref. ST-800 652 / Ref. ST-800 477-A / ST-158 936-A / S-0854

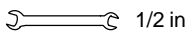
4-2. Connecting The Battery



▲ Connect (-) Cable Last.



Tools Needed:



ST-154 863-B / Ref. ST-191 898 / Ref. S-0756-C

4-3. Installing Muffler

▲ Stop engine and let cool.
▲ Do not blow exhaust toward air cleaner or air intake.

Tools Needed:
1/2 in

muff1 4/96 – ST-154 088-B / Ref. ST-191 898

4-4. Engine Prestart Checks

Capacity: 9 qt (8.5 L)
Full

1/2 in (13 mm)
Full
Diesel

Valve Open

Full

Ref. ST-155 331-B / Ref. ST-154 954

Check all fluids daily. Engine must be cold and on a level surface.

Follow run-in procedure in engine manual. If unburned fuel and oil collect in exhaust pipe during run-in, see Section 9.

1 Fuel

▲ Do not use gasoline. Gasoline will damage engine.

Add fresh diesel fuel before starting engine the first time (see maintenance label for specifications). Fill fuel tank up to 1/2 in. (13 mm) from top to allow room for expansion. Open fuel shut-off valve.

Do not run out of fuel or air enters fuel system and causes starting problems. See engine manual to bleed air from fuel system.

2 Oil

After fueling, check oil with unit on level surface. If oil is not up to full mark on dipstick, add oil (see maintenance label).

▲ Engine may use oil and wetstacking may occur during run-in period. Check oil several times daily during run-in.

☞ This unit has a low oil pressure shutdown switch. However, some conditions may cause engine damage before the engine shuts down. Check oil level often and do not use the oil pressure shutdown system to monitor oil level.

3 Coolant

Add coolant if level is below bottom of radiator filler neck. Engine coolant is a mixture of water and ethylene glycol base antifreeze. Add anti-freeze to mixture if using unit in temperatures below 0° F (-18° C).

Keep radiator, air intake, and cooling fins clean and free of dirt.

▲ Incorrect engine temperature can damage engine. Do not run engine without a properly working 180°F (80°C) thermostat and a 7 psi (48 kPa) radiator cap.

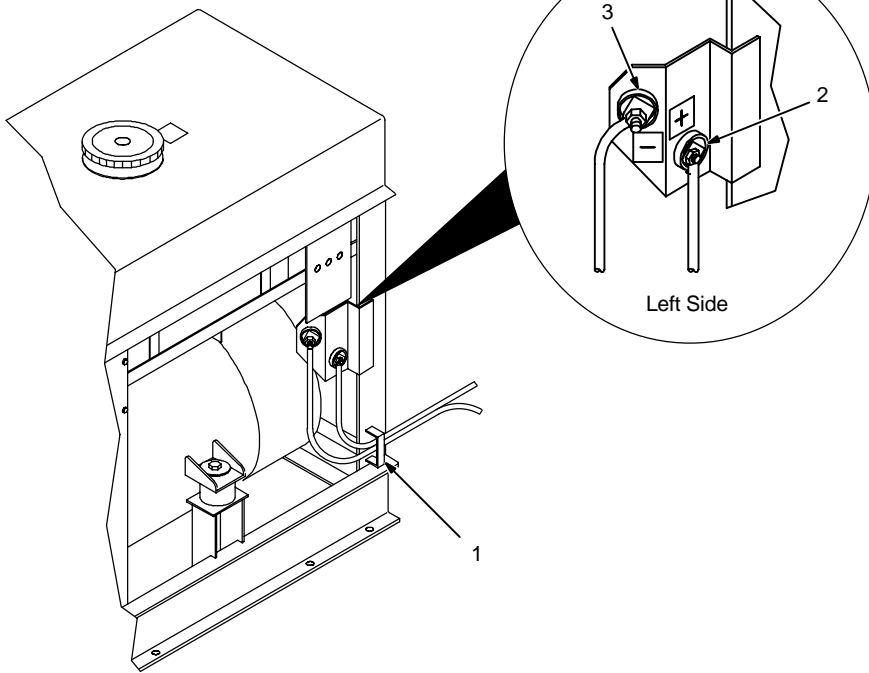
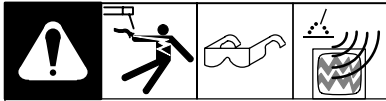
☞ To improve cold weather starting:

Keep battery in good condition. Store battery in warm area off concrete surface.

Use fuel formulated for cold weather (diesel fuel can gel in cold weather). Contact local fuel supplier for fuel information.

Use correct grade oil for cold weather.

4-5. Connecting To Weld Output Terminals



Open left side door.

1 Bracket

Route cables through bracket.

2 Positive (+) Weld Output Terminal

3 Negative (-) Weld Output Terminal

For Stick welding Direct Current Electrode Positive (DCEP), connect work cable to (-) terminal and electrode holder cable to (+) terminal.

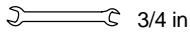
For Direct Current Electrode Negative (DCEN), reverse cable connections.

If equipped with optional polarity switch, connect electrode holder cable to Electrode (-) terminal and work cable to Work (+) terminal.

For MIG and FCAW welding with CV option, connect work cable to (-) terminal and wire feeder cable to (+) terminal

Close door.

Tools Needed:



ST-800 162-A

4-6. Selecting Weld Cable Sizes

Welding Amperes	Total Cable (Copper) Length In Weld Circuit Not Exceeding							
	100 ft (30 m) Or Less		150 ft (45 m)	200 ft (60 m)	250 ft (70 m)	300 ft (90 m)	350 ft (105 m)	400 ft (120 m)
	10 – 60% Duty Cycle	60 – 100% Duty Cycle	10 – 100% Duty Cycle					
100	4	4	4	3	2	1	1/0	1/0
150	3	3	2	1	1/0	2/0	3/0	3/0
200	3	2	1	1/0	2/0	3/0	4/0	4/0
250	2	1	1/0	2/0	3/0	4/0	2-2/0	2-2/0
300	1	1/0	2/0	3/0	4/0	2-2/0	2-3/0	2-3/0
350	1/0	2/0	3/0	4/0	2-2/0	2-3/0	2-3/0	2-4/0
400	1/0	2/0	3/0	4/0	2-2/0	2-3/0	2-4/0	2-4/0
500	2/0	3/0	4/0	2-2/0	2-3/0	2-4/0	3-3/0	3-3/0

Weld cable size (AWG) is based on either a 4 volts or less drop or a current density of at least 300 circular mils per ampere. Contact your distributor for the mm² equivalent weld cable sizes.

4-7. Remote 14 Receptacle RC3 Information (Optional, See Section 4-8)

<p>Ref. ST-154 862-A</p>	REMOTE 14	Socket*	Socket Information
		A	24 volts ac. Protected by circuit breaker CB4.
A/V	B	Contact closure to A completes 24 volts ac contactor control circuit.	
	I	115 volts ac. Protected by circuit breaker CB3.	
	J	Contact closure to I completes 115 volts ac contactor control circuit.	
	G	Circuit common for 24 and 115 volts ac circuits.	
	C	0 to +10 volts dc output to remote control.	
	D	Remote control circuit common.	
	E	0 to +10 volts dc input command signal from remote control.	
K	Chassis common.		

*The remaining sockets are not used.

4-8. Terminal Strip 3T Connections (Optional)

REMOTE CONNECTIONS

▲ Stop engine.

If remote control plug does not fit in receptacle RC3, wire cord directly to terminal strip 3T.

▲ Do not connect to Remote 14 receptacle RC3 and terminal strip 3T at the same time. Use only one remote control method.

Open right side door.

- Cover
- Terminal Strip 3T

Connect leads to 3T using terminal information shown in Section 4-7.

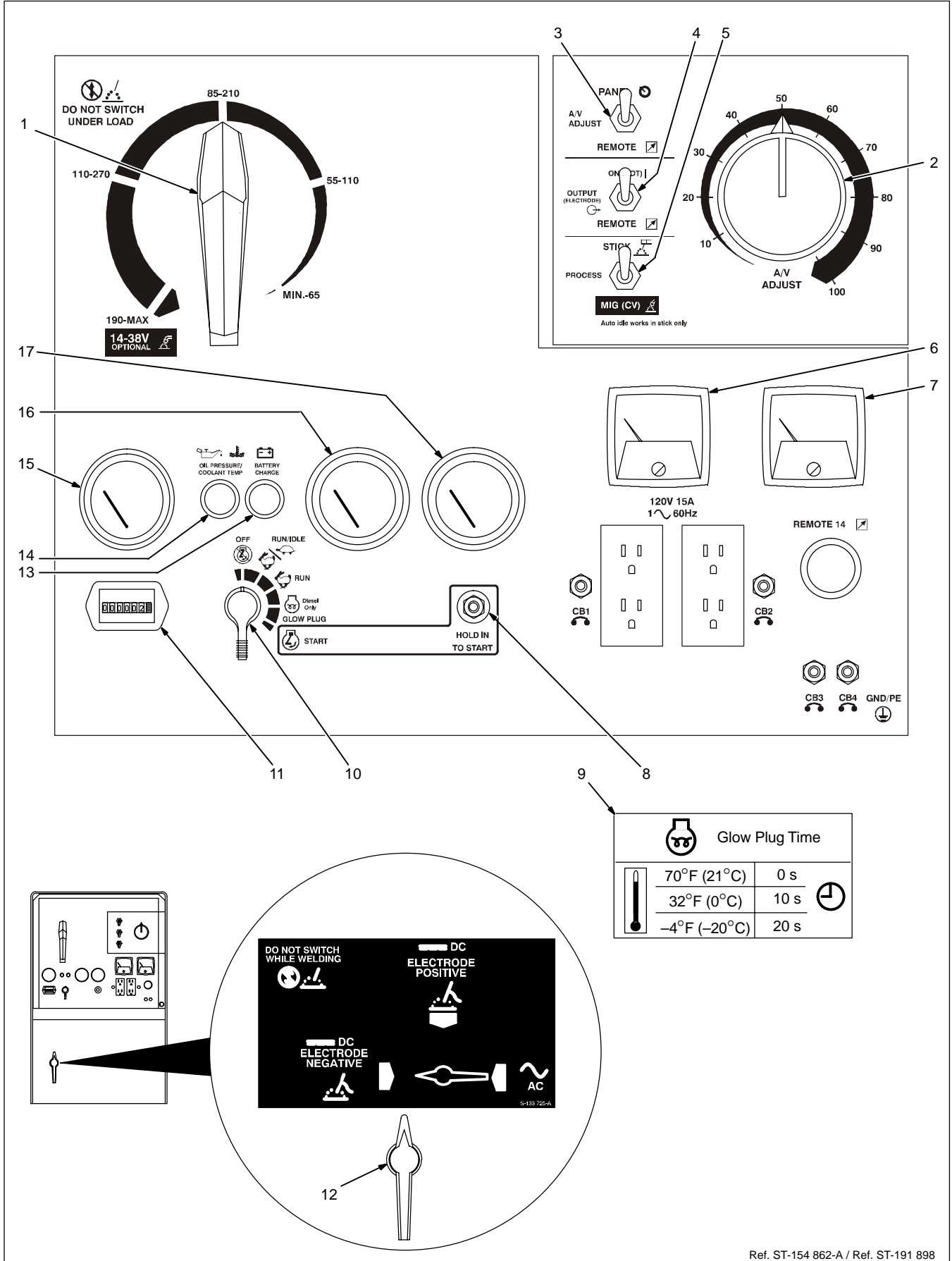
Reinstall cover. Close door.

Tools Needed:

Ref. ST-139 670-B / ST-185 316 / Ref. ST-191 898

SECTION 5 – OPERATING WELDING GENERATOR

5-1. Front Panel Controls (See Section 5-2)



5-2. Description Of Front Panel Controls (See Section 5-1)



☞ This unit has a max OCV control circuit that resets Amperage/Voltage Adjust Control R1 to maximum when the arc breaks. When an arc is struck, weld output control returns to the R1 front panel or combination front panel/remote control setting. The Amperage/Voltage Adjust control adjusts amperage only when constant current (CC) welding and does not adjust open-circuit voltage. The max OCV control circuit does not function when constant voltage (CV) welding (optional).

1 Ampere Range Switch

▲ Do not switch under load.

Use switch to select weld amperage range. For most welding applications, use lowest amperage range possible to help prevent arc outages. When using MIG (CV) mode (optional), place switch in maximum position.

2 Amperage/Voltage Adjust Control

Control adjusts amperage within range selected by Ampere Range switch. Weld output would be 148 A DC with controls set as shown (50% of 85 to 210 A).

3 Amperage/Voltage Adjust Switch (Optional)

Use switch to select front panel or remote amperage control (see Section 5-3).

For front panel control, place switch in Panel position. For remote control, place switch in Remote position and connect remote control to Remote 14 receptacle RC3 or terminal strip 3T.

4 Output (Electrode) Control Switch (Optional)

Use switch to control remote contactor con-

nected to receptacle RC3 or terminal strip 3T (see Sections 4-7 and 4-8).

▲ Weld output terminals are energized when Output (Electrode) switch is On (Hot) and engine is running.

For weld output, place switch in the On (Hot) position. Open-circuit voltage is present at the weld output terminals whenever engine is running.

For remote output control, place switch in Remote position. Open-circuit voltage is present at the weld output terminals when remote contactor switch is closed.

5 Process Switch (Optional)

Use switch to select Stick or MIG (CV) weld output. Use Stick for Stick (SMAW) welding. Use MIG (CV) for wire feed processes (MIG, FCAW). If using MIG (CV), place Ampere Range switch in maximum position. **To ensure wire feeder reliability and improve arc starting, unit does not run at idle speed when operated in MIG (CV) mode.**

☞ Place Process switch in Stick position when using optional auxiliary power plant.

6 DC Voltmeter (Optional)

7 DC Ammeter (Optional)

8 Magnetic Shutdown Switch

Use switch during start-up to bypass engine shutdown system. System stops engine if oil pressure is too low or coolant temperature is too high.

9 Glow Plug Time Table

Use table to find correct glow plug operating time for different temperatures.

10 Engine Control Switch

Use switch to start engine, operate glow plugs, select engine speed, and stop engine.

In Run position, engine runs at weld/power speed. In Run/Idle position, engine runs at idle speed at no load and weld speed with load applied. Turn to run position if using optional auxiliary power plant.

To Start: turn Engine Control switch to Start while pressing Shutdown switch. Release Engine Control switch when engine starts, then release Shutdown.

☞ If the engine does not start, let engine come to a complete stop before attempting restart.

To Stop: turn Engine Control switch to Off position.

11 Engine Hour Meter

12 Polarity And AC Selector Switch (Optional)

▲ Do not switch under load.

13 Battery Charging Warning Light

Light goes on if battery is not charging.

14 Low Oil Pressure/High Engine Temperature Warning Light

Light goes on if oil pressure is low or coolant temperature is high.

▲ Stop engine and fix trouble if either warning light goes on.

15 Fuel Gauge

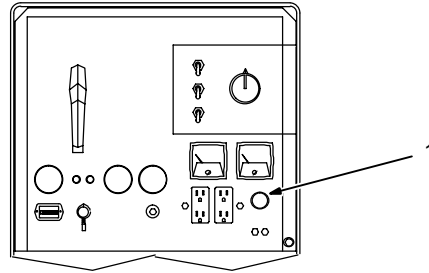
16 Engine Temperature Gauge (Optional)

Normal temperature is 180 - 200° F (81 - 93° C). Stop engine if temperature exceeds 240° F (116° C).

17 Engine Oil Pressure Gauge (Optional)

Normal pressure is 40 psi (276 kPa). Stop engine if pressure is below 8 psi (55 kPa).

5-3. Remote Control (Optional)

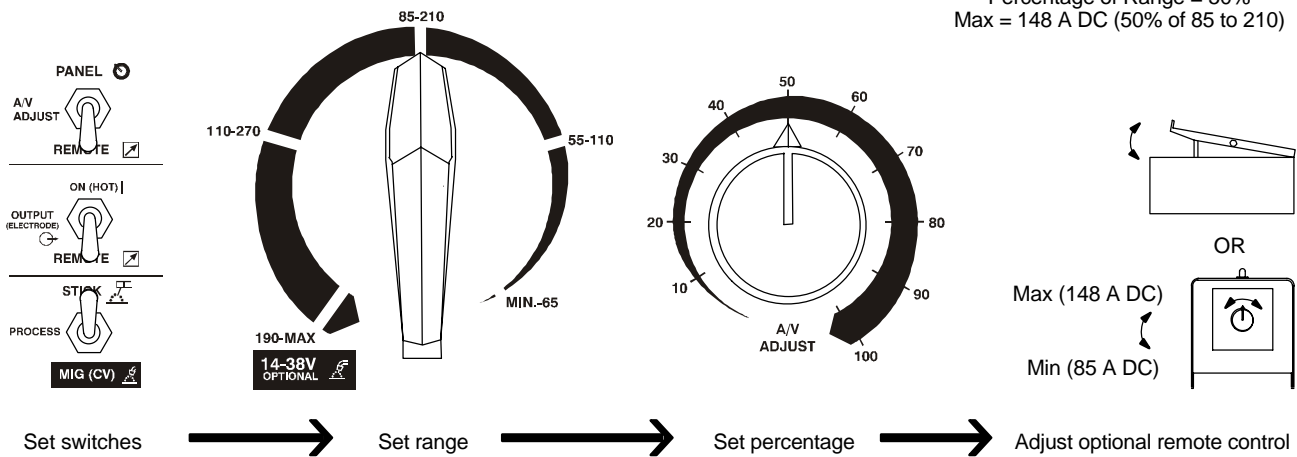


▲ Weld output terminals are energized when Output (Electrode) switch is On (Hot) and engine is running.

1 Remote 14 Receptacle RC3
Connect optional remote control to RC3 (see Section 4-7).

Example: Combination remote amperage control

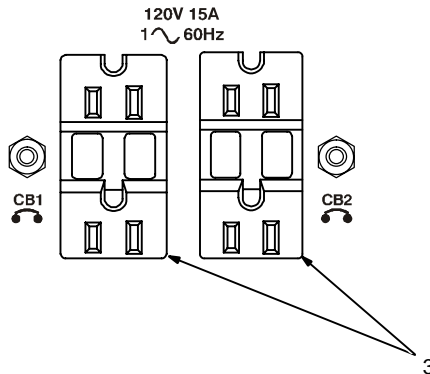
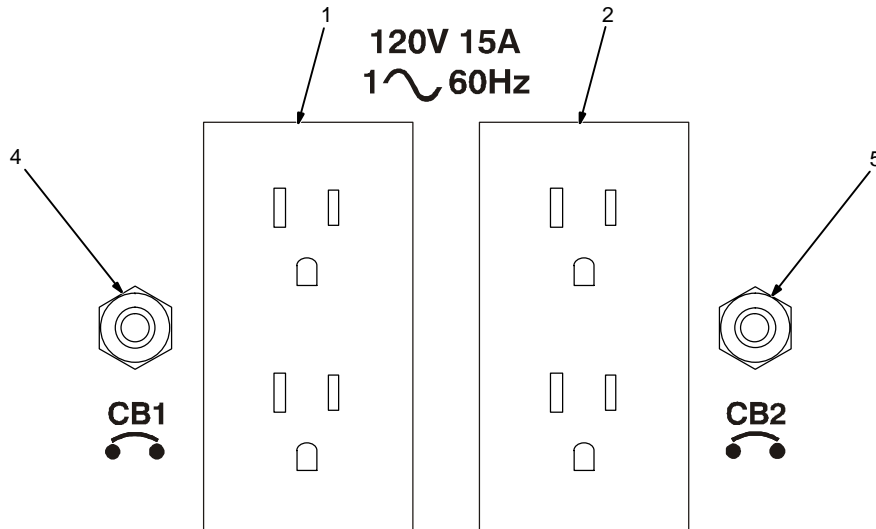
In Example:
Range = 85 to 210 A DC
Min = 85 A DC
Percentage of Range = 50%
Max = 148 A DC (50% of 85 to 210)



S-0774 / Ref. ST-154 862-A / Ref. ST-191 898

SECTION 6 – OPERATING AUXILIARY EQUIPMENT

6-1. 120 Volt Duplex And Optional GFCI Receptacles



▲ If unit does not have GFCI receptacles, use GFCI-protected extension cord.

- 1 120 V 15 A AC Receptacle RC1
- 2 120 V 15 A AC Receptacle RC2
- 3 120 V 15 A AC GFCI Receptacles GFCI1 And GFCI2 (Optional)

Receptacles supply 60 Hz single-phase power at weld/power speed.

- 4 Circuit Breaker CB1
- 5 Circuit Breaker CB2

CB1 protects RC1/GFCI1 and CB2 protects RC2/GFCI2 from overload. If CB1 or CB2 opens, the receptacle does not work. Press button to reset circuit breaker.

☞ If a circuit breaker continues to open, contact a Factory Authorized Service Agent.

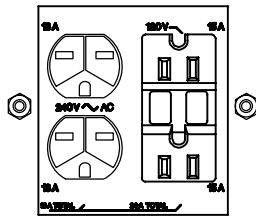
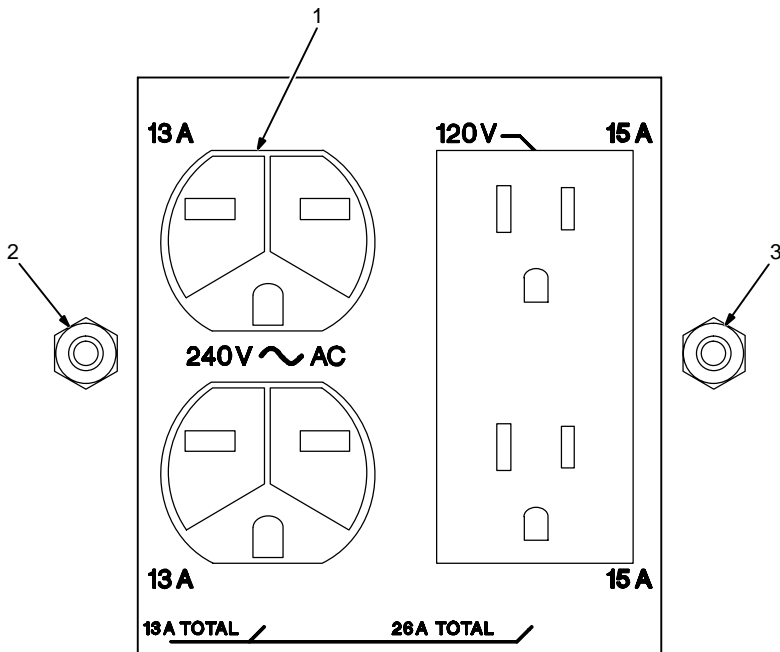
If a ground fault is detected, the GFCI Reset button pops out and the circuit opens to disconnect the faulty equipment. Check for damaged tools, cords, plugs, etc. connected to the receptacle. Press button to reset receptacle and resume operation.

☞ At least once a month, run engine at weld/power speed and press Test button to verify GFCI is working properly.

Maximum output from each duplex receptacle is 1.8 kVA/kW, and 3 kVA/kW from all receptacles. Auxiliary power is not affected by weld output.

EXAMPLE: If 15 A is drawn from RC1, only 10 A is available at RC2:
 $(120\text{ V} \times 15\text{ A}) + (120\text{ V} \times 10\text{ A}) = 3.0\text{ kVA/kW}$

6-2. 240 Volt Duplex Receptacle (Optional)



▲ If unit does not have GFCI receptacles, use GFCI-protected extension cord.

- 1 240 V 15 A AC Receptacle RC1

Receptacle supplies 60 Hz single-phase power at weld/power speed. Maximum output is 3 kVA/kW.

- 2 Circuit Breaker CB1

- 3 Circuit Breaker CB2

CB1 and CB2 protect the receptacles from overload. If CB1 or CB2 opens, the 240 V receptacle and half of the 120 V receptacle does not work. 120 volts may still be present at the 240 V receptacle. Press button to reset circuit breaker.

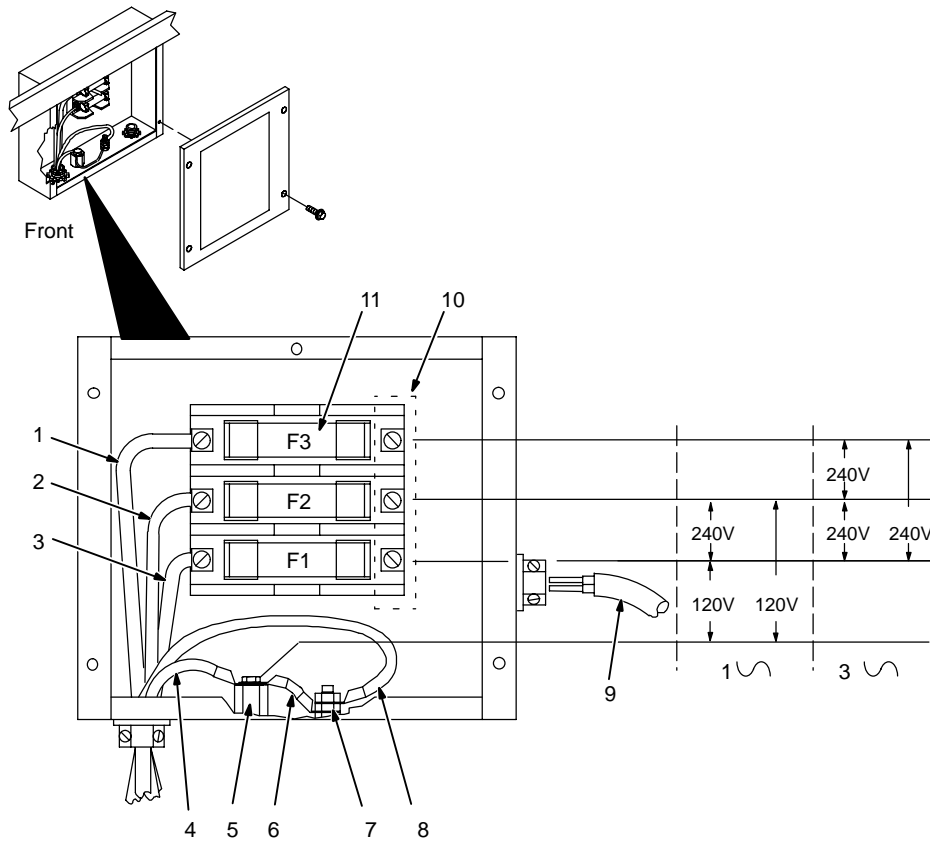
☞ If a circuit breaker continues to open, contact a Factory Authorized Service Agent.

Combined output of all receptacles is 3 kVA/kW. Auxiliary power is not affected by weld output.

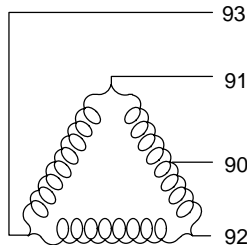
EXAMPLE: If 10 A is drawn from the 240 V receptacle, only 5 A is available at the 120 V receptacle:

$$(240 \text{ V} \times 10 \text{ A}) + (120 \text{ V} \times 5 \text{ A}) = 3.0 \text{ kVA/kW}$$

6-3. Connecting Optional Auxiliary Power Plant



AC ~ Output	Single Phase 1 ~	Three Phase 3 ~
Volts	120/240	240
Amps	35	30
KVA/KW	8.5	12.5
Frequency	60 Hz	
Engine Speed	1850 RPM	
Max. Fuse Size	45 Amperes	
Lead 42 connects to GROUND stud on front of unit. Jumper 42 is connected to 90 at factory.		



- ▲ Stop engine.
- ▲ Power and weld outputs are live at the same time. Disconnect or insulate unused cables.

☞ Have qualified person install according to circuit diagram and Auxiliary Power Guidelines (see Section 10).

☞ Place optional Process switch in Stick position when using optional auxiliary power plant.

Remove junction box cover.

- 1 Lead 93
- 2 Lead 92
- 3 Lead 91
- 4 Lead 90 (Neutral)
- 5 Isolated Neutral Terminal
- 6 Jumper Lead 42
- 7 Grounding Terminal
- 8 Lead 42 (Circuit Grounding Lead)

Jumper 42 is connected to lead 90 at factory. Jumper 42 may be disconnected from neutral to meet applicable electrical codes.

Lead 42 connects to front panel Ground stud.

- 9 User-Supplied Leads
- 10 Load Terminals

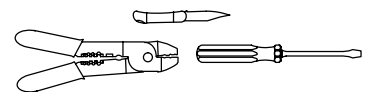
Connect leads to terminals.

- 11 Fuses F1, F2, And F3

F1, F2, and F3 protect each load line from overload.

☞ Set Engine Control switch to Run when using auxiliary power.

Tools Needed:






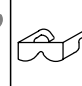






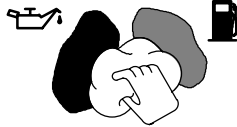
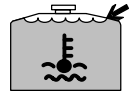
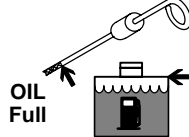
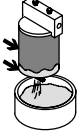




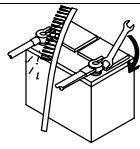
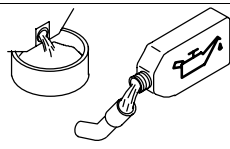
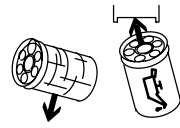



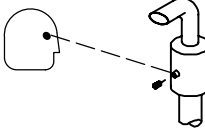

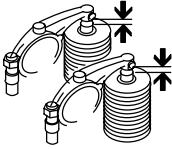
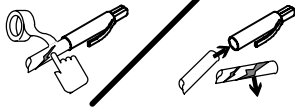

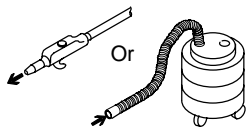

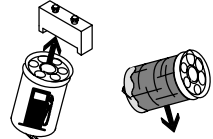
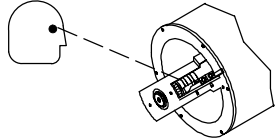
Ref. S-185 000-A

SECTION 7 – MAINTENANCE AND TROUBLESHOOTING


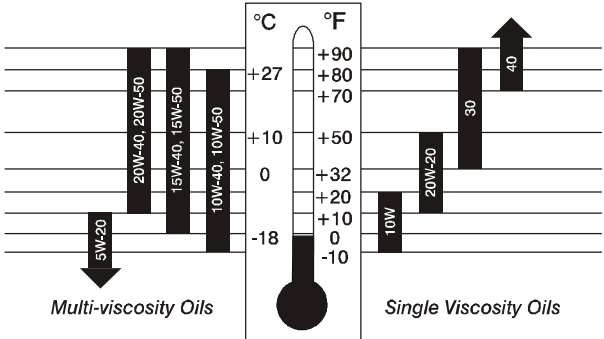










NOTE

Follow the storage procedure in the engine owner's manual if the unit will not be used for an extended period.

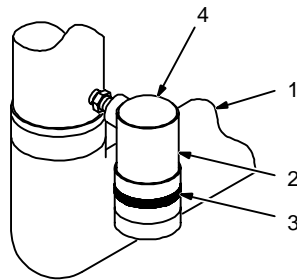
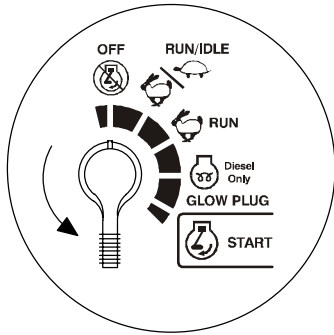
7-1. Routine Maintenance

      		 <p>Recycle engine fluids.</p>	<p>▲ Stop engine before maintaining.</p> <p> See also Engine Manual and Maintenance Label. Service engine more often if used in severe conditions.</p> <p>* To be done by Factory Authorized Service Agent.</p>
 8 h			
<p>Wipe up spills.</p> 	<p>Check fluid levels. See Section 4-4.</p> 	<p>OIL Full</p> 	<p>FUEL WATER</p> 
 50 h			
<p>Clean air filter. See Section 7-3.</p> 	<p>Clean and tighten weld terminals.</p> 		
 100 h			
<p>Clean and tighten battery connections.</p> 	<p>Change oil. See Section 7-6.</p> 	<p>Change oil filter. See Section 7-6.</p> 	
 200 h			
<p>Replace unreadable labels.</p>			
 250 h			
<p>Check and clean spark arrestor. See Section 7-8.</p>			
 500 h			
<p>Check valve clearance.*</p>		<p>Repair or replace cracked cables.</p>	
 1000 h			
<p>Blow out or vacuum inside. During heavy service, clean monthly.</p>		<p>Drain sludge from fuel tank. See Section 7-4.</p>	<p>FUEL SLUDGE</p> 
<p>Change fuel filter. See Section 7-4.</p>		<p>Service welding generator brushes and slip rings. Service more often in dirty conditions.*</p>	

7-2. Maintenance Label

TELEDYNE CONTINENTAL MOTORS (TCM) TMD20 DIESEL ENGINE	
	See Engine Manual for complete engine care. Give Engine Specification and Serial Number when ordering parts.
	
 <i>Check daily.</i>	Recommended Oil API Service Classification SE/CE, SF/CD Oil Change & Filter dirty conditions 50 hours or less normal conditions ... 100-150 hours Oil Filter MILLER 064 983, TCM TM27L00312, Fram PH8A Oil Capacity 5 qt (4.7 L) or 6 qt (5.7 L) with filter change
 <i>Diesel</i>	Fuel Capacity 16 gal (60.6 L) Fuel Grade 1-D or 2-D Cetane No. 45 min. Fuel Filter MILLER 192 744, Donaldson P550587 Fram P1145A <i>Fill filter with clean fuel before installing - read instructions on filter.</i>
	Air Filter Service 50 hours or less - see Owner's Manual Air Filter Element MILLER 020 319, Donaldson P181052, Fram CAK 253
 <i>Check daily.</i>	Coolant Capacity 9 qt (8.5 L) Thermostat 180°F (80°C), TCM TM27K00402, Gates 33008, Stant S330 180 Radiator Cap 7 lb Gates 31327 <i>Protect to lowest expected temperature with ethylene glycol based anti-freeze. Protect to at least -35°F (-37°C) for year-round lubrication and antirust protection.</i>
	Battery..... BCI Group 24 Cranking Performance at 0°F (-18°C) ... 530 Amps
	Engine RPM - No Load Weld 1850 Idle 1250
	Valve Clearance - Hot Intake 0.014 in (0.36 mm) Exhaust .. 0.018 in (0.46 mm)
	Fan Belt .. Gates 9500 TCM X-27019-500
 <i>Do NOT use ether.</i>	Injectors TCM TMD20F03030, Stanadyne 24064 Shield TCM TMD27F00301, Bosch 1-410-501-072 Injection Pump TCM TMD20F00210, Stanadyne DB2331-4570 Glow Plugs TCM TMD27F00300 <i>Have only trained technician maintain injection pump and injectors. AIR, WATER, or GASOLINE will harm the injection system. If engine has run out of fuel or fuel filter is changed, bleeding of air may be required. Check engine manual for proper procedure.</i>
 <i>Optional</i>	Spark Arrestor Inspection And Service 250 operating hours - see Owner's Manual 136 559-I

7-3. Servicing Air Cleaner



▲ Stop engine.

- 1 Intake Manifold
- 2 Service Indicator
- 3 Window
- 4 Reset Button

Service air cleaner element if red band appears in window. A green band means air cleaner is okay. Press button to reset indicator.

▲ Do not run engine without air cleaner or with dirty element.

Clean or replace element if dirty or damaged. Replace element yearly or after six cleanings.

- 5 Dust Cap
- 6 Baffle
- 7 Element
- 8 Plastic Fins
- 9 Housing

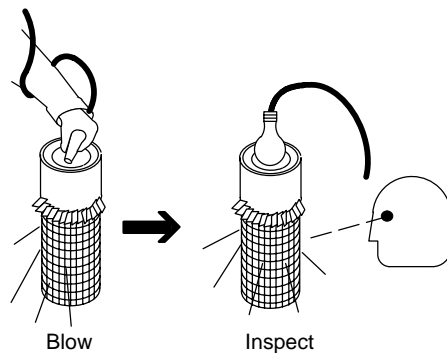
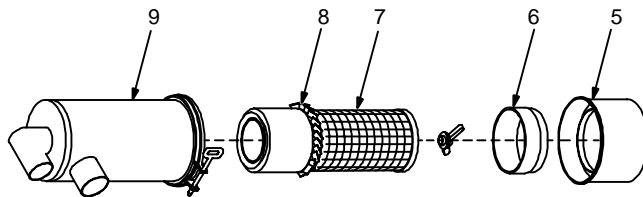
To Clean air filter:

Wipe off cap and housing. Remove cap and dump out dust. Wipe dust from inside cap and housing with damp cloth. Remove element and reinstall cap.

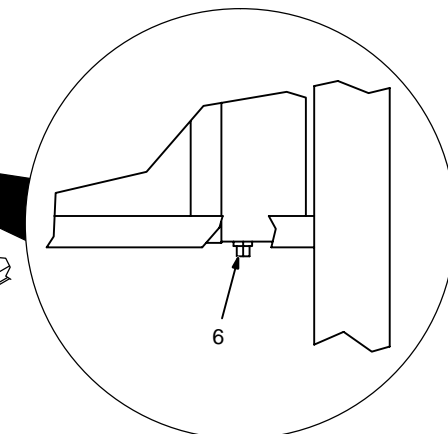
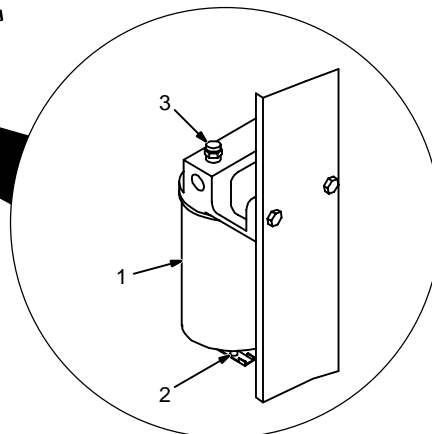
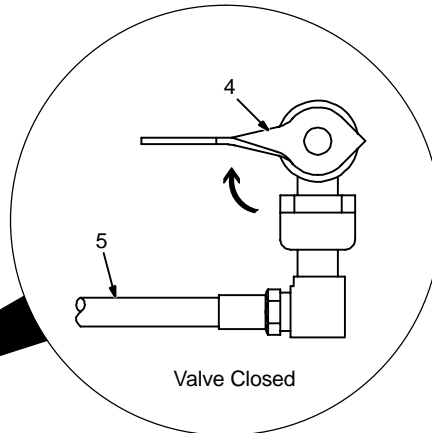
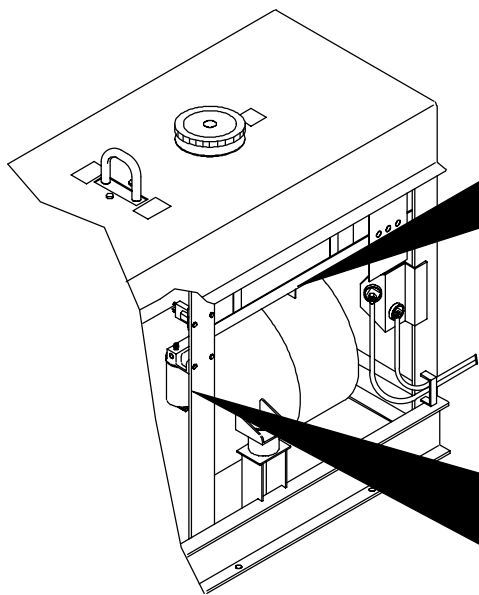
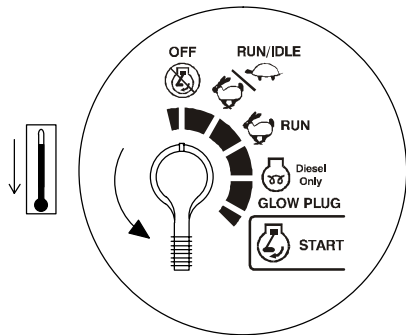
▲ Do not clean housing with air hose.

Clean element with compressed air only. Keep nozzle at least 1 in (25 mm) from inside of element. Max. air pressure: 100 psi (690 kPa). Do not remove plastic fins. Replace element if it has holes or damaged gaskets.

Reinstall element and cap (cap arrows pointing up).



7-4. Servicing Fuel System



▲ Stop engine and let cool.

- 1 Fuel Filter
- 2 Petcock
- 3 Bleeder Valve
- 4 Fuel Shutoff Valve
- 5 Fuel Line
- 6 Sludge Drain Plug

To drain water from fuel system:

Open filter petcock and drain water into metal container. Close petcock when water-free fuel flows.

To replace fuel filter:

Close shutoff valve and turn filter counterclockwise. Remove filter.

Apply thin coat of fuel to gasket on new filter. Install new filter and turn clockwise. Open shutoff valve. Bleed air from fuel system according to engine manual.

Inspect fuel line, and replace if cracked or worn.

To drain sludge:

Put metal container under drain, and remove sludge drain plug. Re-install plug when done.

▲ After servicing, start engine and check for fuel leaks.

▲ Stop engine, tighten connections as necessary, and wipe up spilled fuel.




Close doors.

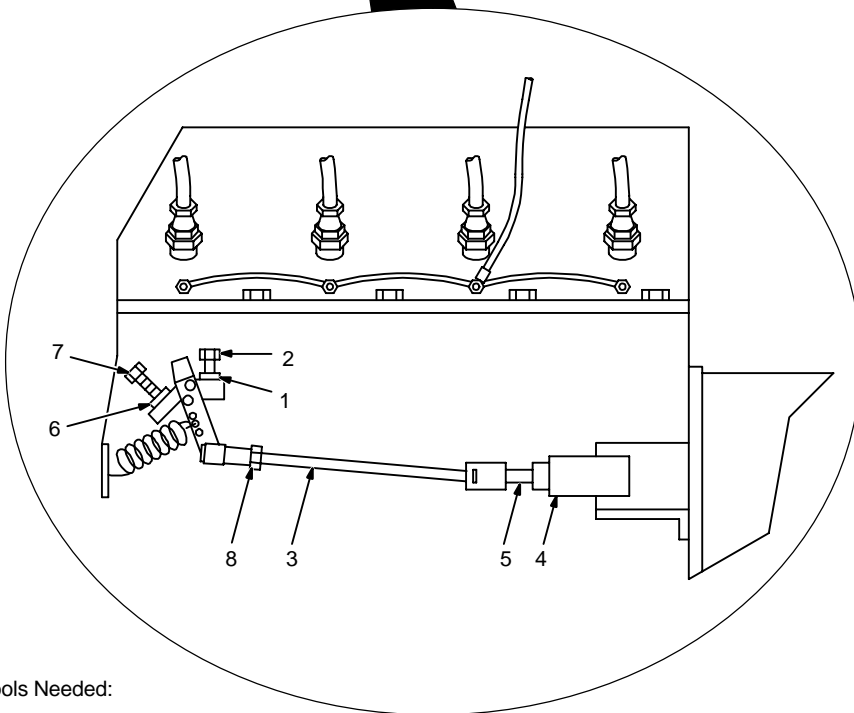
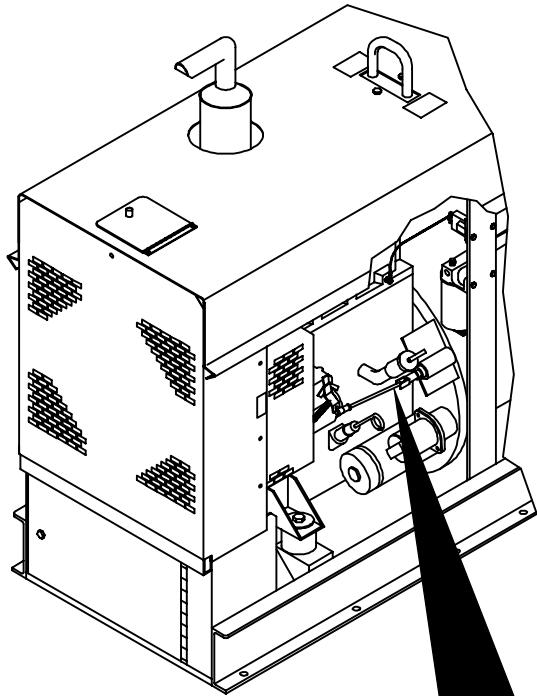
Tools Needed:



7-5. Adjusting Engine Speed

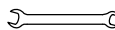


Engine Speed (No Load)		RPM
Weld/Power		1850
Idle		1250



Tools Needed:



 5/16, 7/16 in

Engine speeds have been factory set and should not require adjustment.

Start engine and check engine speeds with a tachometer. See table for proper no load speeds. If necessary, adjust speeds as follows:

Weld/Power Speed Adjustment

Place engine control switch in Run position.

- 1 Lock Nut
- 2 High Speed Adjustment Screw

Loosen nut and turn screw until engine runs at weld/power speed. Tighten nut.

▲ Stop engine.

- 3 Throttle Arm
- 4 Solenoid
- 5 Solenoid Plunger

Push arm towards solenoid so plunger is fully bottomed in solenoid.

- 6 Lock Nut
- 7 Low Speed Adjustment Screw

Loosen nut and back out screw if screw hits stop before plunger is fully bottomed. Tighten nut and release arm.

Idle Speed Adjustment

Start engine. Place engine control switch in Run/Idle position.

- 8 Lock Nut

Loosen nut and turn throttle arm until engine runs at idle speed. Tighten lock nut.

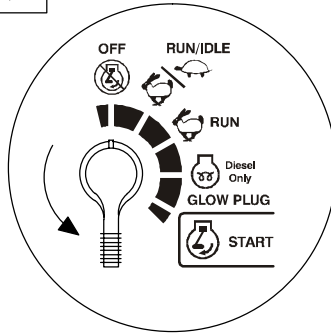
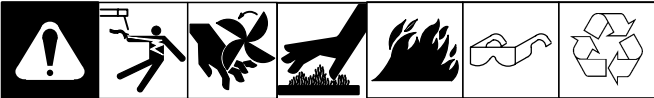
Be sure solenoid plunger is fully bottomed in solenoid at idle speed to avoid damaging solenoid.

▲ Stop engine.

Close door.

Ref. ST-154 952-C / ST-091 065-A

7-6. Changing Engine Oil And Filter



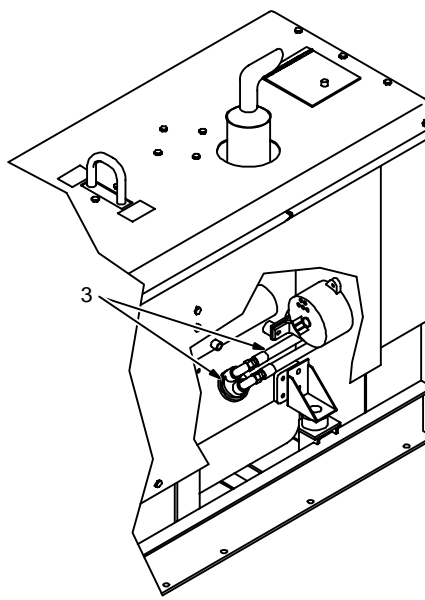
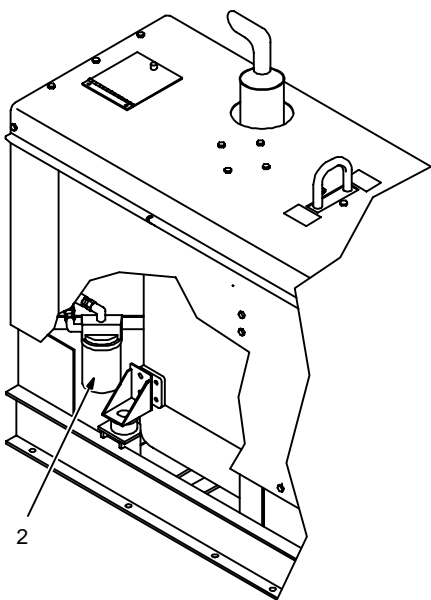
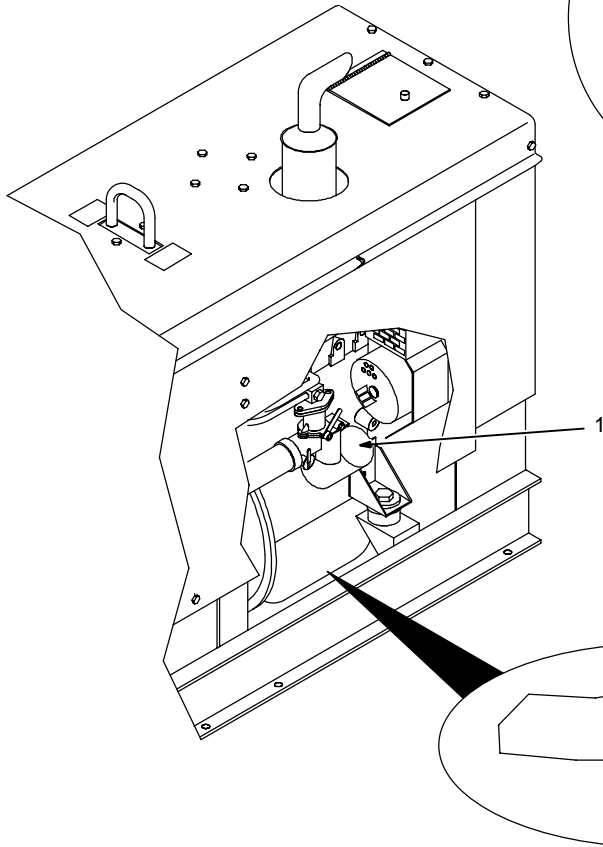
▲ Stop engine and let cool.

- 1 Standard Oil Filter
- 2 Optional Remote Oil Filter
- 3 Optional Remote Oil Filter Hoses And Adapter
- 4 Oil Drain Plug

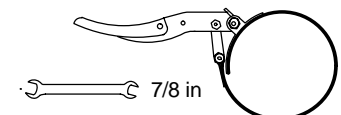
Change oil and filter according to engine manual.

Install optional remote oil filter if location makes it difficult to change standard filter.

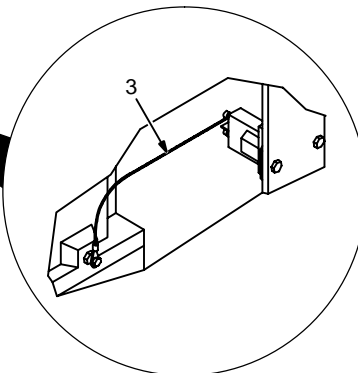
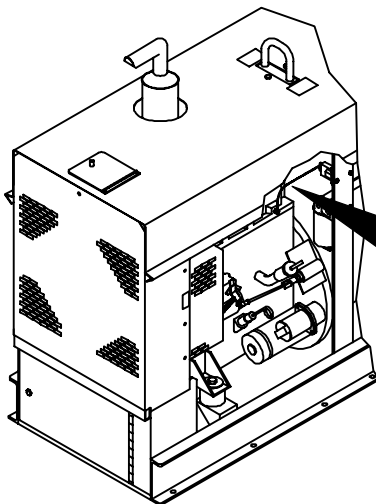
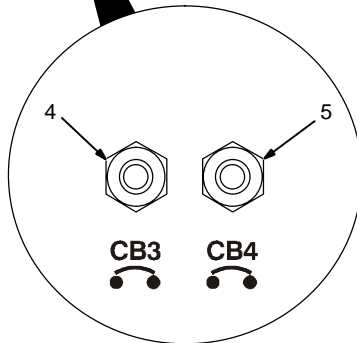
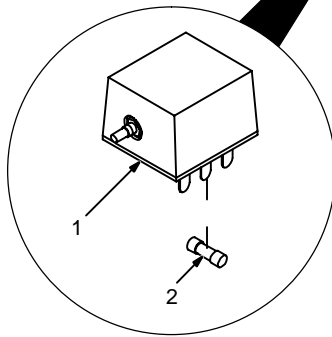
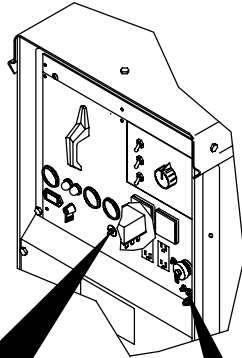
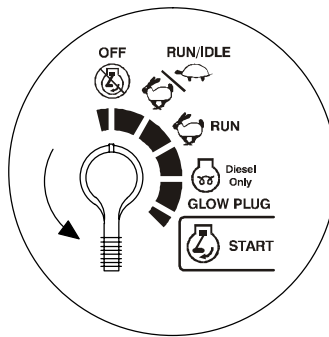
The remote oil filter requires extra oil to fill the hoses. Keep oil up to full mark on dipstick.



Tools Needed:



7-7. Overload Protection



▲ Stop engine.

If any fuse or circuit breaker continues to open, contact Factory Authorized Service Agent.

- 1 Magnetic Shutdown Switch MS1
- 2 Fuse F (See Parts List)

Fuse F protects magnetic shutdown switch MS1. If fuse F opens, the engine stops.

Check fuse F and replace if open.

- 3 Fuse Wire (Lead 88)

The fuse wire protects the glow plug circuit from overload. Fuse wire opens if glow plug current exceeds 30 amperes.

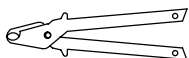
If fuse wire opens, contact Factory Authorized Service Agent.

- 4 Circuit Breaker CB3 (Optional)
- 5 Circuit Breaker CB4 (Optional)

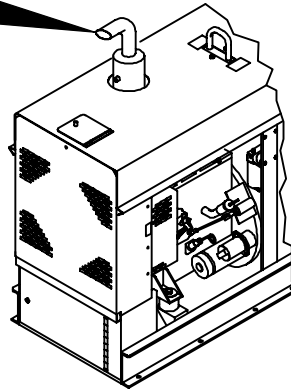
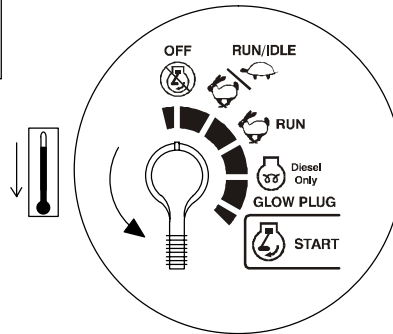
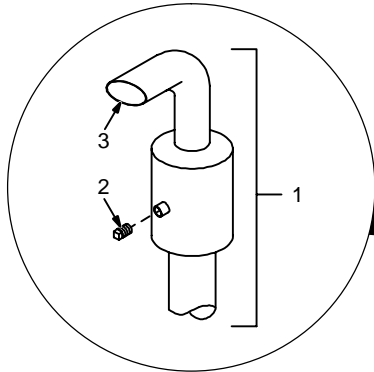
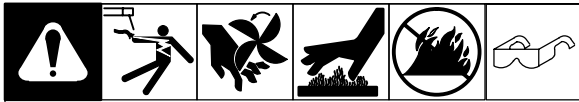
CB3 protects the 115 volt ac output and CB4 protects the 24 volt ac output to optional Remote 14 receptacle RC3 and terminal strip 3T. If CB3 opens, 115 volt output stops. If CB4 opens, 24 volt output stops.

Press button to reset breaker.

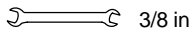
Tools Needed:



7-8. Inspecting And Cleaning Optional Spark Arrestor Muffler



Tools Needed:



3/8 in

▲ Stop engine and let cool.

- 1 Spark Arrestor Muffler
- 2 Cleanout Plug

Remove plug and remove any dirt covering cleanout hole.

- 3 Exhaust Pipe

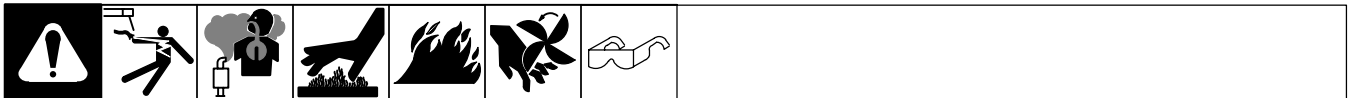
Start engine and run at idle speed to blow out cleanout hole. If nothing blows out of hole, briefly cover end of exhaust pipe with fireproof material.

▲ Stop engine and let cool.

Reinstall cleanout plug.

Ref. ST-191 898 / ST-162 256

7-9. Troubleshooting



A. Welding

Trouble	Remedy
No weld output.	Check control settings.
	Place optional Output (Electrode) Control switch in On (Hot) position, or move switch to Remote position and connect remote contactor to Remote 14 receptacle RC3 or terminal strip 3T (see Sections 4-7, 4-8, and 5-1).
	Check and secure connections to optional Remote 14 receptacle RC3 or terminal strip 3T (see Sections 4-7 and 4-8).
	Disconnect equipment from 120 volt ac receptacles during start-up.
Erratic weld output.	Have Factory Authorized Service Agent check brushes and slip rings, and field current regulator board PC1.
	Check and tighten connections inside and outside unit.
	Use dry, properly-stored electrodes.
	Remove excessive coils from weld cables.
Low or high weld output.	Be sure connection to work piece is clean and tight.
	Have Factory Authorized Service Agent check brushes and slip rings.
	Check control settings.
	Place optional Process switch in correct position (see Section 5-1).
	Check engine weld/power speed, and adjust if necessary (see Section 7-5).

Trouble	Remedy
	Have Factory Authorized Service Agent check field current regulator board PC1.
Low open-circuit voltage.	Place optional Process switch in correct position (see Section 5-1)
	Check engine weld/power speed, and adjust if necessary (see Section 7-5).
	Have Factory Authorized Service Agent check field current regulator board PC1 and optional CV-3 regulator board PC2.
Maximum weld output only in each ampere range.	Have Factory Authorized Service Agent check Amperage/Voltage Adjust control R1, capacitor C8, diode D9, integrated rectifier SR4, control relay CR3, field current regulator board PC1, and optional CV-3 regulator board PC2.
No CV weld output (units with remote control or CV-3 option only).	Check connections to Remote 14 receptacle RC3 and terminal strip 3T (see Sections 4-7 and 4-8).
	Repair or replace remote control device.
	Have Factory Authorized Service Agent check connector board PC5 and connections.
Wire feeder does not work (models with CV-3 option).	Reset circuit breaker CB3 and/or CB4 (see Section 7-7).
	Check connections to Remote 14 receptacle RC3 and terminal strip 3T (see Sections 4-7 and 4-8).
	Repair or replace wire feeder.
No amperage control (or voltage control on models with CV-3 option).	Place Amperage/Voltage Adjust switch in correct position.
	Check connections to Remote 14 receptacle RC3 and terminal strip 3T (see Sections 4-7 and 4-8).
	Repair or replace remote control device.
	Have Factory Authorized Service Agent check Amperage/Voltage Adjust control R1 and optional CV-3 regulator board PC2.
Low CV weld output (models with CV-3 option).	Set Ampere Range switch to highest range.
Min or max CV weld output only (models with CV-3 option).	Check position of Amperage/Voltage Adjust control and Amperage/Voltage Adjust switch.
	Repair or replace remote control device.
	Have Factory Authorized Service Agent check optional CV-3 regulator board PC2.

B. Auxiliary Power

Trouble	Remedy
No output at auxiliary power ac receptacles.	Reset circuit breaker CB1 and/or CB2 (see Section 6-1).
	Disconnect equipment from ac receptacles during start-up.
	Have Factory Authorized Service Agent check brushes and slip rings.
High or low voltage at auxiliary power ac receptacles.	Check engine weld/power speed, and adjust if necessary (see Section 7-5).
	Have Factory Authorized Service Agent check field current resistor R3.
No or low output at optional auxiliary power plant.	Place optional Output (Electrode) Control switch in On (Hot) position, or move to Remote position and connect remote contactor to Remote 14 receptacle RC3 or terminal strip 3T (see Sections 4-7, 4-8, and 5-1).
	Place optional Amperage/Voltage Adjust switch in Panel position, or move to Remote position and connect remote amperage control to Remote 14 receptacle RC3 or terminal strip 3T (see Sections 4-7, 4-8, and 5-1)
	Place optional remote amperage control in maximum position (see Section 5-3).
	Place optional Process switch in Stick position (see Section 5-1).
	Check fuses F1, F2, and F3 and replace as necessary (see Section 6-3).
	Check engine weld/power speed, and adjust if necessary (see Section 7-5).

Trouble	Remedy
	Have Factory Authorized Service Agent check brushes and slip rings, and field current regulator board PC1.
High output at optional auxiliary power plant.	Check engine weld/power speed, and adjust if necessary (see Section 7-5).
	Have Factory Authorized Service Agent check field current regulator board PC1.

C. Engine

Trouble	Remedy
Engine does not start.	Check fuel level. Open fuel shutoff valve (see Section 4-4).
	Check battery and replace if necessary (see Section 4-2).
	Check oil and coolant levels. Automatic shutdown system stops engine if oil pressure gets too low or coolant temperature gets too high (see Section 4-4).
	Check engine control switch, and replace if necessary.
	Check glow plug fuse wire. If wire is open, contact Factory Authorized Service Agent.
	Check Magnetic Shutdown switch MS1 fuse F and replace if open (see Section 7-7).
	See engine manual.
	Have Factory Authorized Service Agent check engine charging system.
Engine uses oil during run-in period; wetstacking occurs.	Dry engine.
	See engine manual.
Battery discharges between uses.	Clean battery, terminals, and posts with baking soda and water solution; rinse with clear water.
	Periodically recharge battery (approximately every 3 months).
	Replace battery (see Section 4-2).
	Have Factory Authorized Service Agent check engine charging system.
Engine idles, but does not come up to weld/power speed.	Check engine control switch and replace if necessary.
	Have Factory Authorized Service Agent check idle module and current transformer CT1.
Engine does not run at idle speed.	Move Optional Process switch to Stick position (see Section 5-1). Unit does not run at idle speed when operated in MIG (CV) mode.
Engine slowly stopped and cannot be restarted.	Check fuel level. Open fuel shutoff valve (see Section 4-4).
	Check oil and coolant levels. Automatic shutdown system stops engine if oil pressure gets too low or coolant temperature gets too high (see Section 4-4).
	See engine manual.

SECTION 8 – ELECTRICAL DIAGRAMS

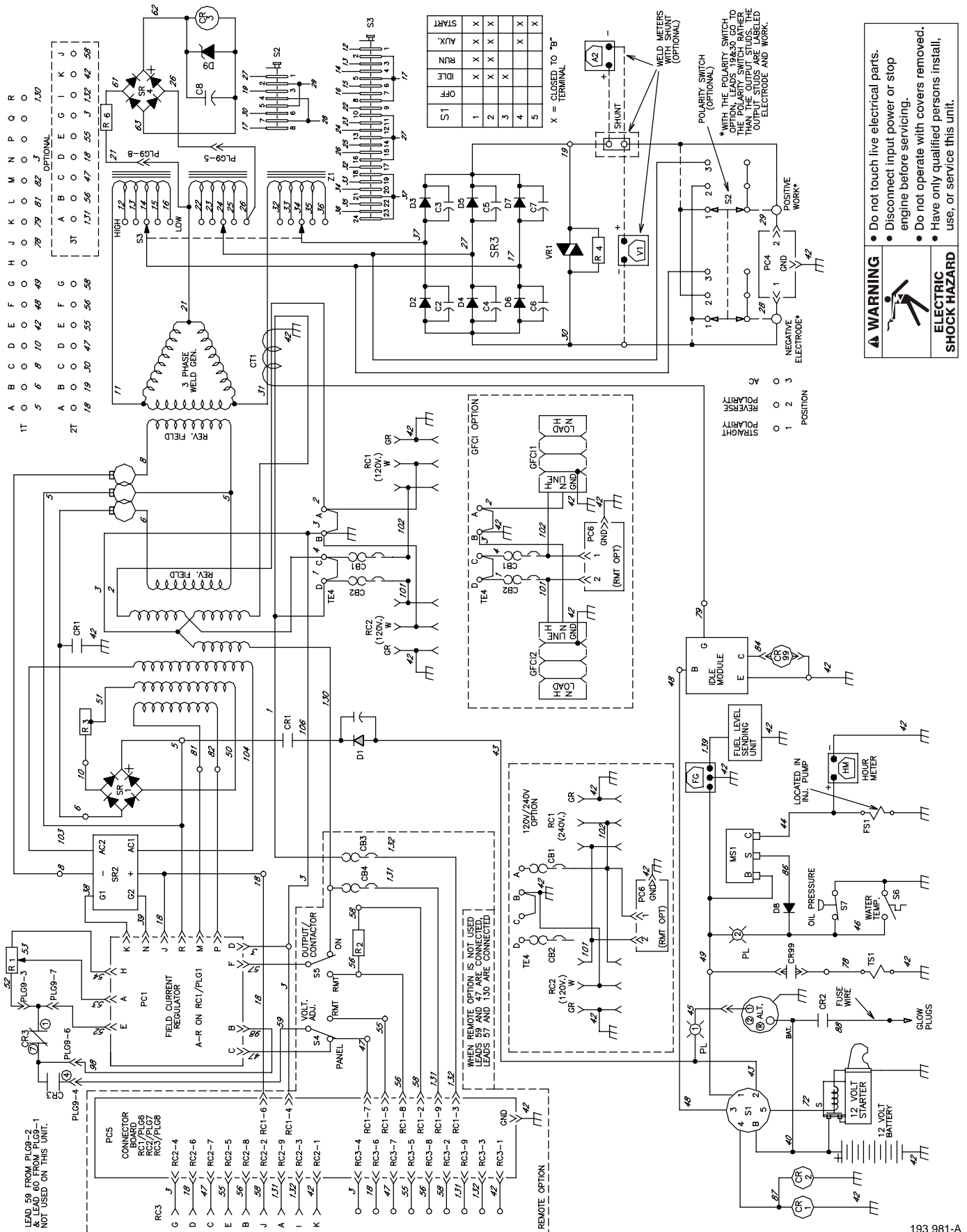



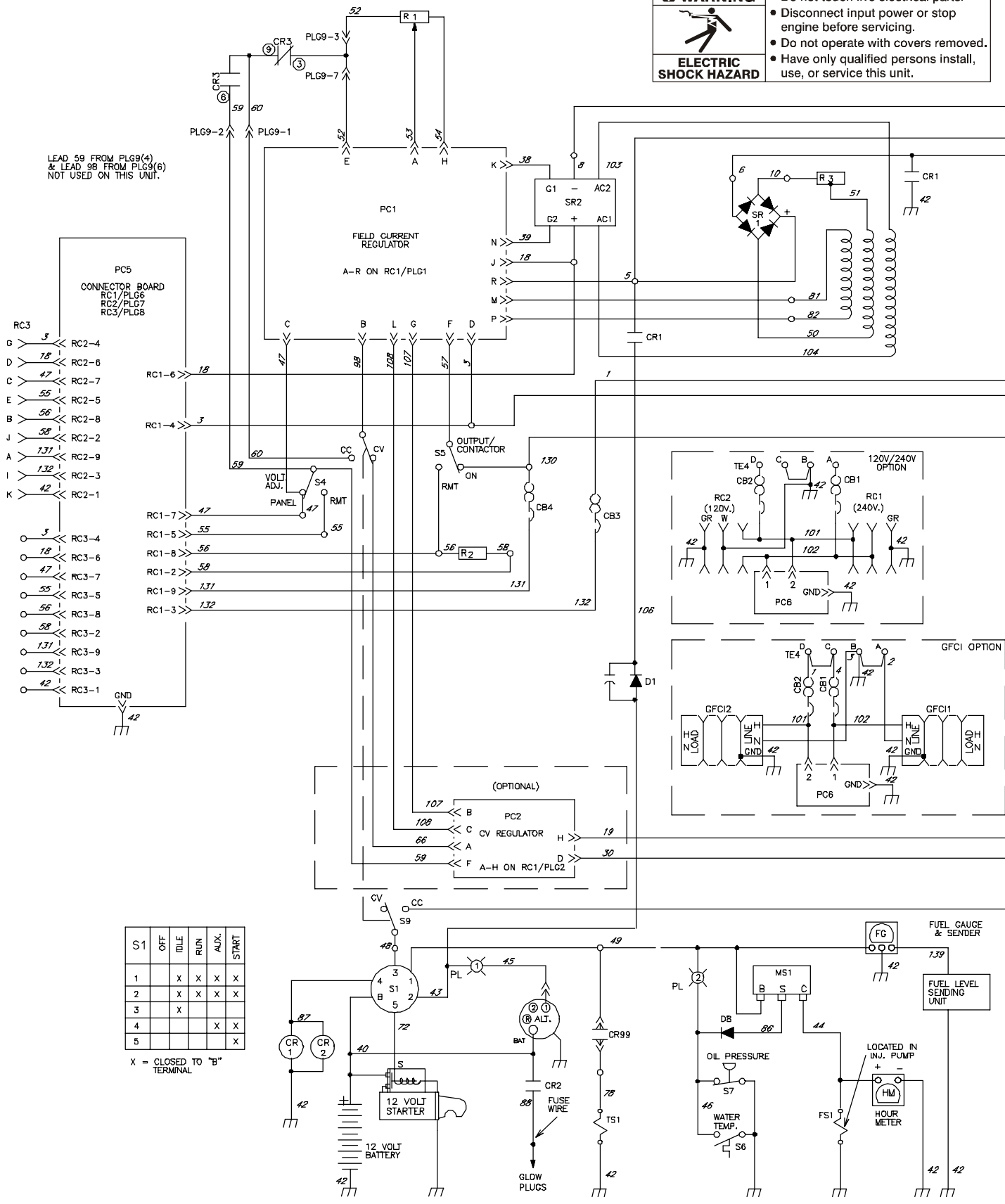
Figure 8-1. Circuit Diagram For Welding Generator For Standard Models

⚠ WARNING



ELECTRIC SHOCK HAZARD

- Do not touch live electrical parts.
- Disconnect input power or stop engine before servicing.
- Do not operate with covers removed.
- Have only qualified persons install, use, or service this unit.



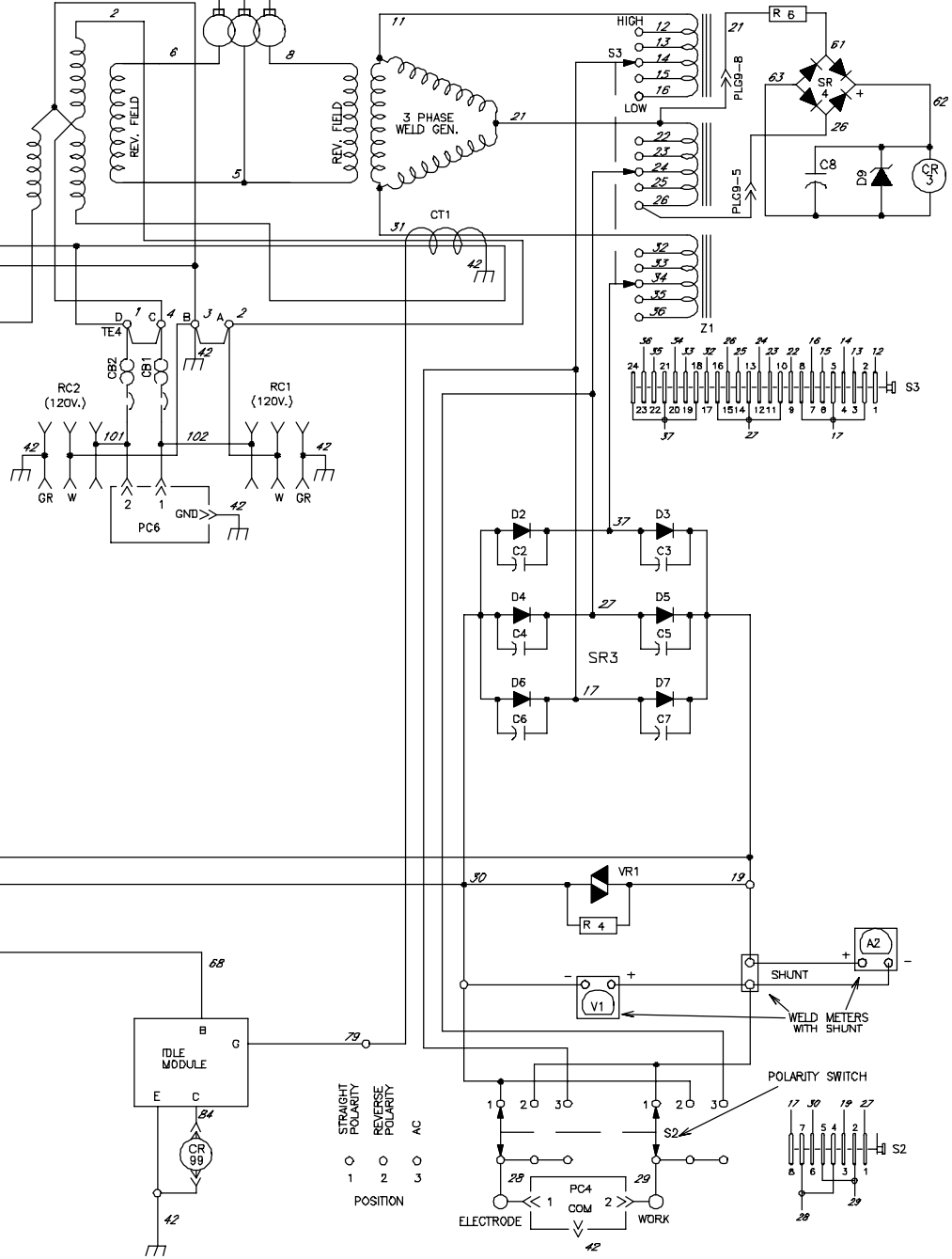
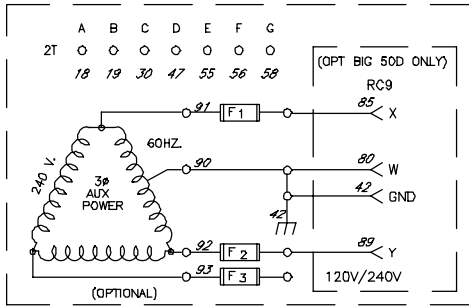
S1	OFF	IDLE	RUN	AUX.	START
1		X	X	X	X
2		X	X	X	X
3		X			
4				X	X
5					X

X = CLOSED TO "B" TERMINAL

Figure 8-2. Circuit Diagram For Welding Generator With Welders And Deluxe Package Options

A	B	C	D	E	F	G	H	J	K	L	M	N	P	Q	R
1T	○	○	○	○	○	○	○	○	○	○	○	○	○	○	○
5	6	8	10	42	48	49	78	79	81	82	3			130	

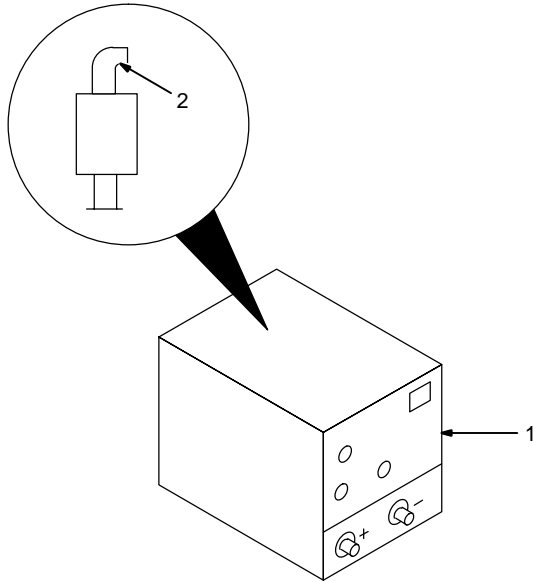
A	B	C	D	E	G	I	K	J
3T	○	○	○	○	○	○	○	○
131	56	47	18	55	3	132	42	58



SECTION 9 – RUN-IN PROCEDURE


run_in1 6/96

9-1. Wetstacking



1 Welding Generator

Run diesel engines near rated output during run-in period to properly seat piston rings and prevent wetstacking. See nameplate or rating label to find rated output.

 Do not idle engine longer than necessary. Piston rings seat faster if engine runs at weld/power rpm, and the welding generator is kept loaded during run-in.

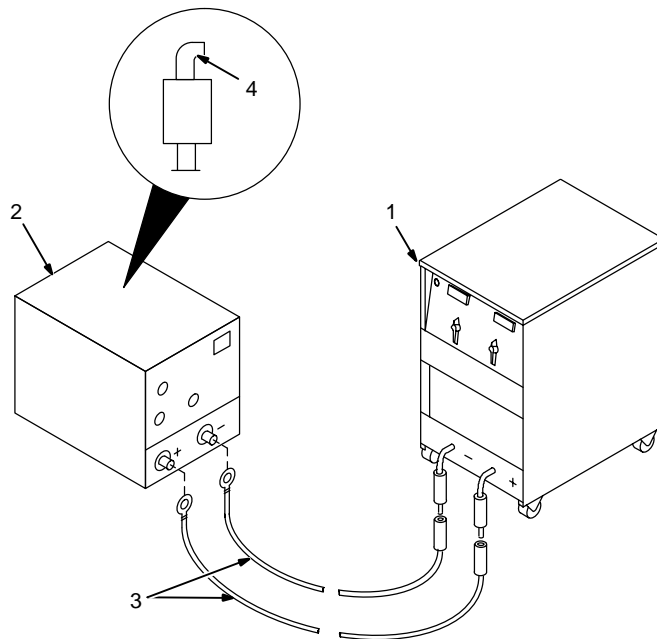
2 Engine Exhaust Pipe

Wetstacking is unburned fuel and oil in the exhaust pipe and occurs during run-in if the engine is run too long at light load or idle rpm.

If exhaust pipe is coated with a wet, black, tar-like substance, dry the engine using one of the following run-in procedures.

See the engine manual for additional engine run-in information.

9-2. Run-In Procedure Using Load Bank



- ▲ **Stop engine.**
- ▲ **Do not touch hot exhaust pipe, engine parts, or load bank/grid.**
- ▲ **Keep exhaust and pipe away from flammables.**

1 Load Bank

Turn all load bank switches Off. If needed, connect load bank to 115 volts ac wall receptacle or generator auxiliary power receptacle.

2 Welding Generator

Place A/V range switch in maximum position, A/V control in minimum position, and Output Selector switch (if present) in either DC position.

3 Weld Cables

Connect load bank to generator weld output terminals using proper size weld cables with correct connectors. Observe correct polarity.

Start engine and run for several minutes.

Set load bank switches and then adjust generator A/V control so load equals rated generator output (see nameplate).

Check generator and load bank meters after first five minutes then every fifteen minutes to be sure generator is loaded properly.

☞ *Check oil level frequently during run-in; add oil if needed.*

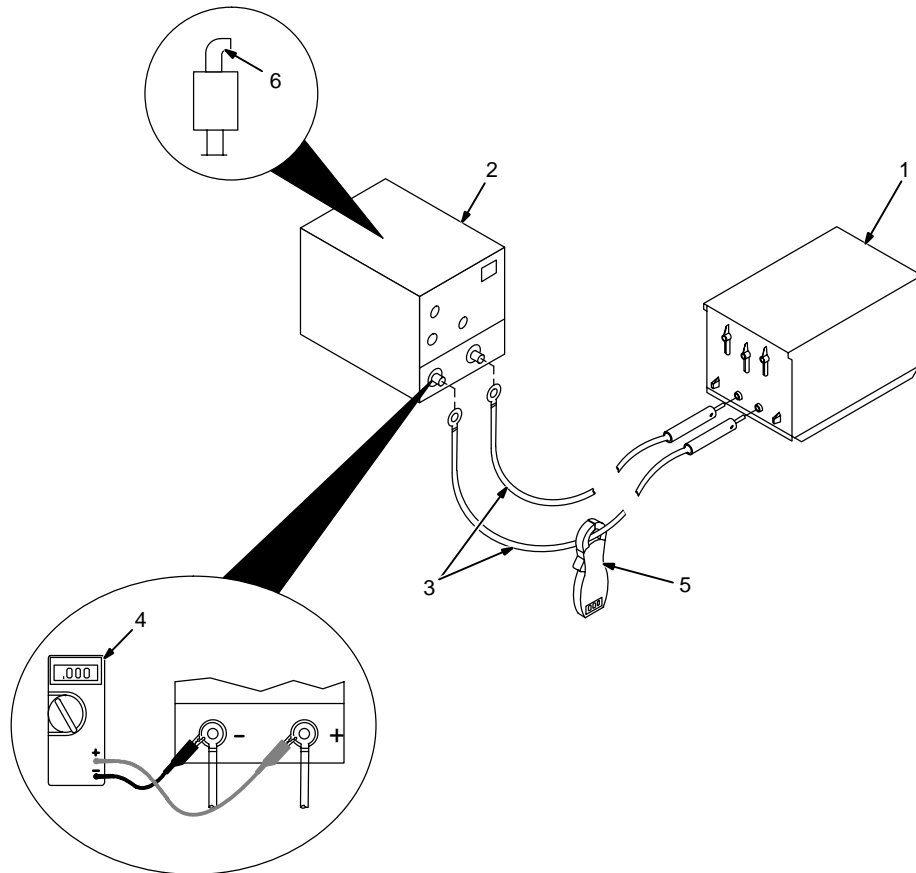
After one hour (minimum) place A/V control in minimum position, then turn off load bank to remove load. Run engine several minutes at no load.

- ▲ **Stop engine and let cool.**

4 Engine Exhaust Pipe

Repeat procedure if wetstacking is present.

9-3. Run-In Procedure Using Resistance Grid



- ▲ **Stop engine.**
- ▲ **Do not touch hot exhaust pipe, engine parts, or load bank/grid.**
- ▲ **Keep exhaust and pipe away from flammables.**

1 Resistance Grid

Use grid sized for generator rated output.

Turn Off grid.

2 Welding Generator

Place A/V range switch in maximum position, A/V control in minimum position, and Output Selector switch (if present) in either DC position.

3 Weld Cables

Connect grid to generator weld output terminals using proper size weld cables with correct connectors (polarity is not important).

4 Voltmeter

5 Clamp-On Ammeter

Connect voltmeter and ammeter as shown, if not provided on generator.

Start engine and run for several minutes.

Set grid switches and then adjust generator A/V control so load equals rated generator output (see nameplate).

Check generator and meters after first five minutes then every fifteen minutes to be sure generator is loaded properly.

☞ *Check oil level frequently during run-in; add oil if needed.*

After one hour (minimum), place A/V control in minimum position, then shut down grid to remove load. Run engine several minutes at no load.


- ▲ **Stop engine and let cool.**

6 Engine Exhaust Pipe

Repeat procedure if wetstacking is present.

SECTION 10 – AUXILIARY POWER GUIDELINES


10-1. Selecting Equipment



- 1 Auxiliary Power Receptacles – Neutral Bonded To Frame
- 2 3-Prong Plug From Case Grounded Equipment
- 3 2-Prong Plug From Double Insulated Equipment

aux_pwr 2/99 – Ref. ST-159 730 / ST-800 577

10-2. Grounding Generator To Truck Or Trailer Frame



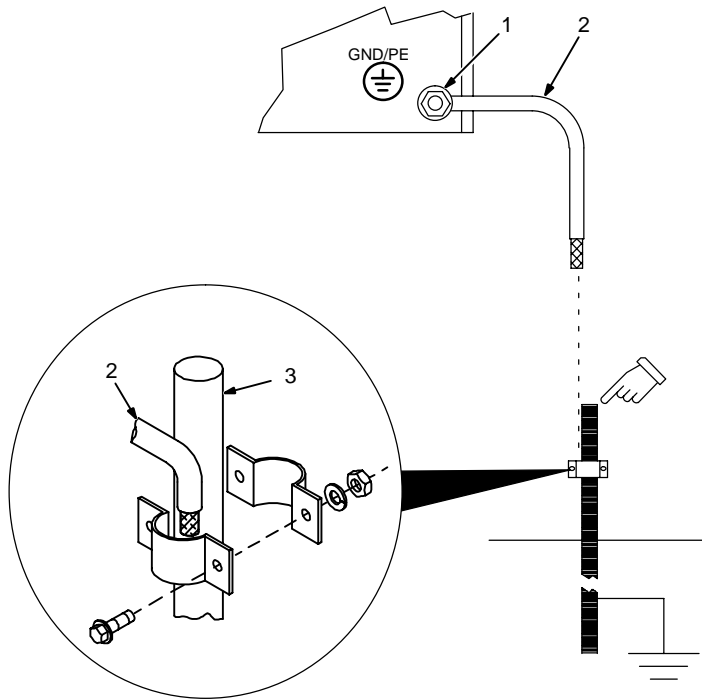
- 1 Generator Base
- 2 Metal Vehicle Frame
- 3 Equipment Grounding Terminal
- 4 Grounding Cable

Use #10 AWG or larger insulated copper wire.

▲ If unit does not have GFCI receptacles, use GFCI-protected extension cord.

S-0854

10-3. Grounding When Supplying Building Systems

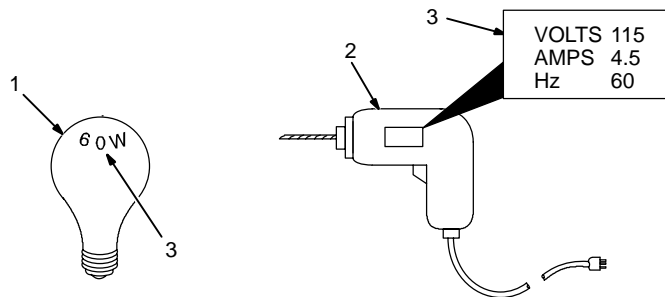


- 1 Equipment Grounding Terminal
 - 2 Grounding Cable
Use #10 AWG or larger insulated copper wire.
 - 3 Ground Device
- ▲ **Ground generator to system earth ground if supplying power to a premises (home, shop, farm) wiring system.**

Use ground device as stated in electrical codes.

ST-800 576-B

10-4. How Much Power Does Equipment Require?



- 1 Resistive Load
A light bulb is a resistive load and requires a constant amount of power.
- 2 Non-Resistive Load
Equipment with a motor is a non-resistive load and requires approximately six times more power while starting the motor than when running (see Section 10-8).
- 3 Rating Data
Rating shows volts and amperes, or watts required to run equipment.

AMPERES x VOLTS = WATTS

EXAMPLE 1: If a drill uses 4.5 amperes at 115 volts, calculate its running power requirement in watts.

$$4.5 \text{ A} \times 115 \text{ V} = 520 \text{ W}$$

The load applied by the drill is 520 watts.

EXAMPLE 2: If three 200 watt flood lamps are used with the drill from Example 1, add the individual loads to calculate total load.

$$(200 \text{ W} + 200 \text{ W} + 200 \text{ W}) + 520 \text{ W} = 1120 \text{ W}$$

The total load applied by the three flood lamps and drill is 1120 watts.

S-0623

10-5. Approximate Power Requirements For Industrial Motors

Industrial Motors	Rating	Starting Watts	Running Watts
Split Phase	1/8 HP	800	300
	1/6 HP	1225	500
	1/4 HP	1600	600
	1/3 HP	2100	700
	1/2 HP	3175	875
Capacitor Start-Induction Run	1/3 HP	2020	720
	1/2 HP	3075	975
	3/4 HP	4500	1400
	1 HP	6100	1600
	1-1/2 HP	8200	2200
	2 HP	10550	2850
	3 HP	15900	3900
	5 HP	23300	6800
	1-1/2 HP	8100	2000
Capacitor Start-Capacitor Run	5 HP	23300	6000
	7-1/2 HP	35000	8000
	10 HP	46700	10700
Fan Duty	1/8 HP	1000	400
	1/6 HP	1400	550
	1/4 HP	1850	650
	1/3 HP	2400	800
	1/2 HP	3500	1100

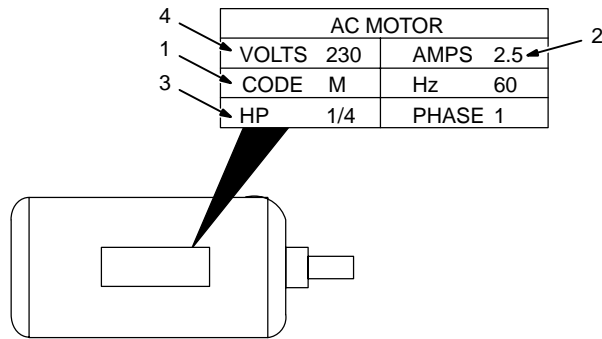
10-6. Approximate Power Requirements For Farm/Home Equipment

Farm/Home Equipment	Rating	Starting Watts	Running Watts
Stock Tank De-Icer		1000	1000
Grain Cleaner	1/4 HP	1650	650
Portable Conveyor	1/2 HP	3400	1000
Grain Elevator	3/4 HP	4400	1400
Milk Cooler		2900	1100
Milker (Vacuum Pump)	2 HP	10500	2800
FARM DUTY MOTORS	1/3 HP	1720	720
Std. (e.g. Conveyors,	1/2 HP	2575	975
Feed Augers, Air	3/4 HP	4500	1400
Compressors)	1 HP	6100	1600
	1-1/2 HP	8200	2200
	2 HP	10550	2850
	3 HP	15900	3900
	5 HP	23300	6800
High Torque (e.g. Barn	1-1/2 HP	8100	2000
Cleaners, Silo Unloaders,	5 HP	23300	6000
Silo Hoists, Bunk Feeders)	7-1/2 HP	35000	8000
	10 HP	46700	10700
3-1/2 cu. ft. Mixer	1/2 HP	3300	1000
High Pressure 1.8 Gal/Min	500 PSI	3150	950
Washer 2 gal/min	550 PSI	4500	1400
2 gal/min	700 PSI	6100	1600
Refrigerator or Freezer		3100	800
Shallow Well Pump	1/3 HP	2150	750
	1/2 HP	3100	1000
Sump Pump	1/3 HP	2100	800
	1/2 HP	3200	1050

10-7. Approximate Power Requirements For Contractor Equipment

Contractor	Rating	Starting Watts	Running Watts
Hand Drill	1/4 in	350	350
	3/8 in	400	400
	1/2 in	600	600
Circular Saw	6-1/2 in	500	500
	7-1/4 in	900	900
	8-1/4 in	1400	1400
Table Saw	9 in	4500	1500
	10 in	6300	1800
Band Saw	14 in	2500	1100
Bench Grinder	6 in	1720	720
	8 in	3900	1400
	10 in	5200	1600
Air Compressor	1/2 HP	3000	1000
	1 HP	6000	1500
	1-1/2 HP	8200	2200
	2 HP	10500	2800
Electric Chain Saw	1-1/2 HP, 12 in	1100	1100
	2 HP, 14 in	1100	1100
Electric Trimmer	Standard 9 in	350	350
	Heavy Duty 12 in	500	500
Electric Cultivator	1/3 HP	2100	700
Elec. Hedge Trimmer	18 in	400	400
Flood Lights	HID	125	100
	Metal Halide	313	250
	Mercury	1000	
	Sodium Vapor	1400	1000
Submersible Pump	400 gph	600	200
Centrifugal Pump	900 gph	900	500
Floor Polisher	3/4 HP, 16 in	4500	1400
	1 HP, 20 in	6100	1600
High Pressure Washer	1/2 HP	3150	950
	3/4 HP	4500	1400
	1 HP	6100	1600
55 gal Drum Mixer	1/4 HP	1900	700
Wet & Dry Vac	1.7 HP	900	900
	2-1/2 HP	1300	1300

10-8. Power Required To Start Motor



- 1 Motor Start Code
- 2 Running Amperage
- 3 Motor HP
- 4 Motor Voltage

To find starting amperage:

Step 1: Find code and use table to find kVA/HP. If code is not listed, multiply running amperage by six to find starting amperage.

Step 2: Find Motor HP and Volts.

Step 3: Determine starting amperage (see example).

Welding generator amperage output must be at least twice the motor's running amperage.

Single-Phase Induction Motor Starting Requirements

Motor Start Code	G	H	J	K	L	M	N	P
KVA/HP	6.3	7.1	8.0	9.0	10.0	11.2	12.5	14.0

$$\frac{\text{kVA/HP} \times \text{HP} \times 1000}{\text{VOLTS}} = \text{STARTING AMPERAGE}$$

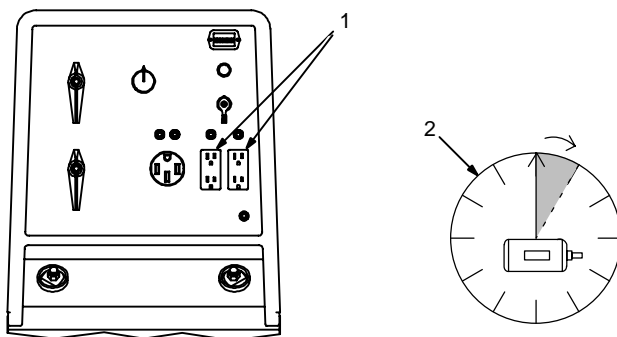
EXAMPLE: Calculate the starting amperage required for a 230 V, 1/4 HP motor with a motor start code of M.

Volts = 230 HP = 1/4 Using Table, Code M results in kVA/HP = 11.2

$$\frac{11.2 \times 1/4 \times 1000}{230} = 12.2 \text{ A} \quad \text{Starting the motor requires 12.2 amperes.}$$

S-0624

10-9. How Much Power Can Generator Supply?



- 1 Limit Load To 90% Of Generator Output

Always start non-resistive (motor) loads in order from largest to smallest, and add resistive loads last.

- 2 5 Second Rule

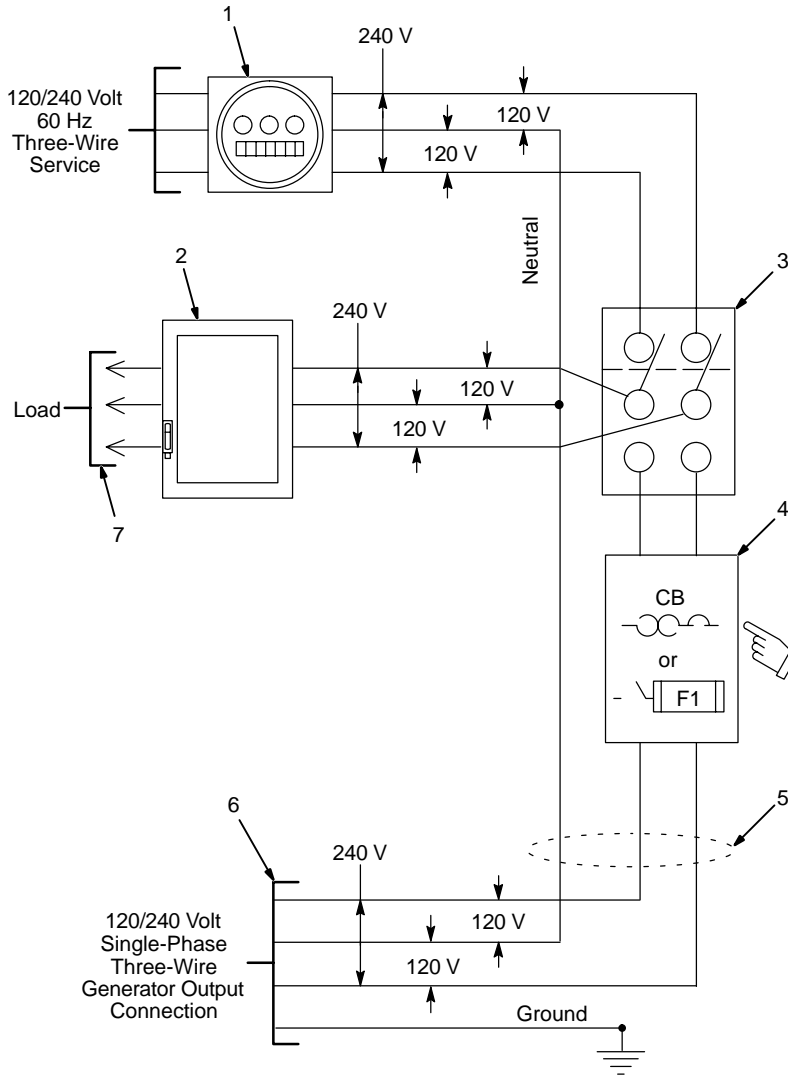
If motor does not start within 5 seconds, turn off power to prevent motor damage. Motor requires more power than generator can supply.

Ref. ST-800 396-A / S-0625

10-10. Typical Connections To Supply Standby Power



☞ *Customer-supplied equipment is required if generator is to supply standby power during emergencies or power outages.*



- 1 Power Company Service Meter
- 2 Main and Branch Overcurrent Protection
- 3 Double-Pole, Double-Throw Transfer Switch

Obtain and install correct switch. Switch rating must be same as or greater than the branch overcurrent protection.

- 4 Circuit Breakers or Fused Disconnect Switch

Obtain and install correct circuit breakers or switch.

- 5 Extension Cord

Select as shown in Section 10-11.

- 6 Generator Connections

Connect terminals or plug of adequate amperage capacity to cord. Follow all applicable codes and safety practices.

Turn off or unplug all equipment connected to generator before starting or stopping engine. When starting or stopping, the engine has low speed which causes low voltage and frequency.

- 7 Load Connections

Item 4 is not necessary if circuit protection is already present in welding generator auxiliary power output circuit.

10-11. Selecting Extension Cord (Use Shortest Cord Possible)



Cord Lengths for 120 Volt Loads

▲ If unit does not have GFCI receptacles, use GFCI-protected extension cord.

Current (Amperes)	Load (Watts)	Maximum Allowable Cord Length in ft (m) for Conductor Size (AWG)*					
		4	6	8	10	12	14
5	600			350 (106)	225 (68)	137 (42)	100 (30)
7	840		400 (122)	250 (76)	150 (46)	100 (30)	62 (19)
10	1200	400 (122)	275 (84)	175 (53)	112 (34)	62 (19)	50 (15)
15	1800	300 (91)	175 (53)	112 (34)	75 (23)	37 (11)	30 (9)
20	2400	225 (68)	137 (42)	87 (26)	50 (15)	30 (9)	
25	3000	175 (53)	112 (34)	62 (19)	37 (11)		
30	3600	150 (46)	87 (26)	50 (15)	37 (11)		
35	4200	125 (38)	75 (23)	50 (15)			
40	4800	112 (34)	62 (19)	37 (11)			
45	5400	100 (30)	62 (19)				
50	6000	87 (26)	50 (15)				

*Conductor size is based on maximum 2% voltage drop


Cord Lengths for 240 Volt Loads

▲ If unit does not have GFCI receptacles, use GFCI-protected extension cord.

Current (Amperes)	Load (Watts)	Maximum Allowable Cord Length in ft (m) for Conductor Size (AWG)*					
		4	6	8	10	12	14
5	1200			700 (213)	450 (137)	225 (84)	200 (61)
7	1680		800 (244)	500 (152)	300 (91)	200 (61)	125 (38)
10	2400	800 (244)	550 (168)	350 (107)	225 (69)	125 (38)	100 (31)
15	3600	600 (183)	350 (107)	225 (69)	150 (46)	75 (23)	60 (18)
20	4800	450 (137)	275 (84)	175 (53)	100 (31)	60 (18)	
25	6000	350 (107)	225 (69)	125 (38)	75 (23)		
30	7000	300 (91)	175 (53)	100 (31)	75 (23)		
35	8400	250 (76)	150 (46)	100 (31)			
40	9600	225 (69)	125 (38)	75 (23)			
45	10,800	200 (61)	125 (38)				
50	12,000	175 (53)	100 (31)				

*Conductor size is based on maximum 2% voltage drop

SECTION 11 – PARTS LIST

 Hardware is common and not available unless listed.

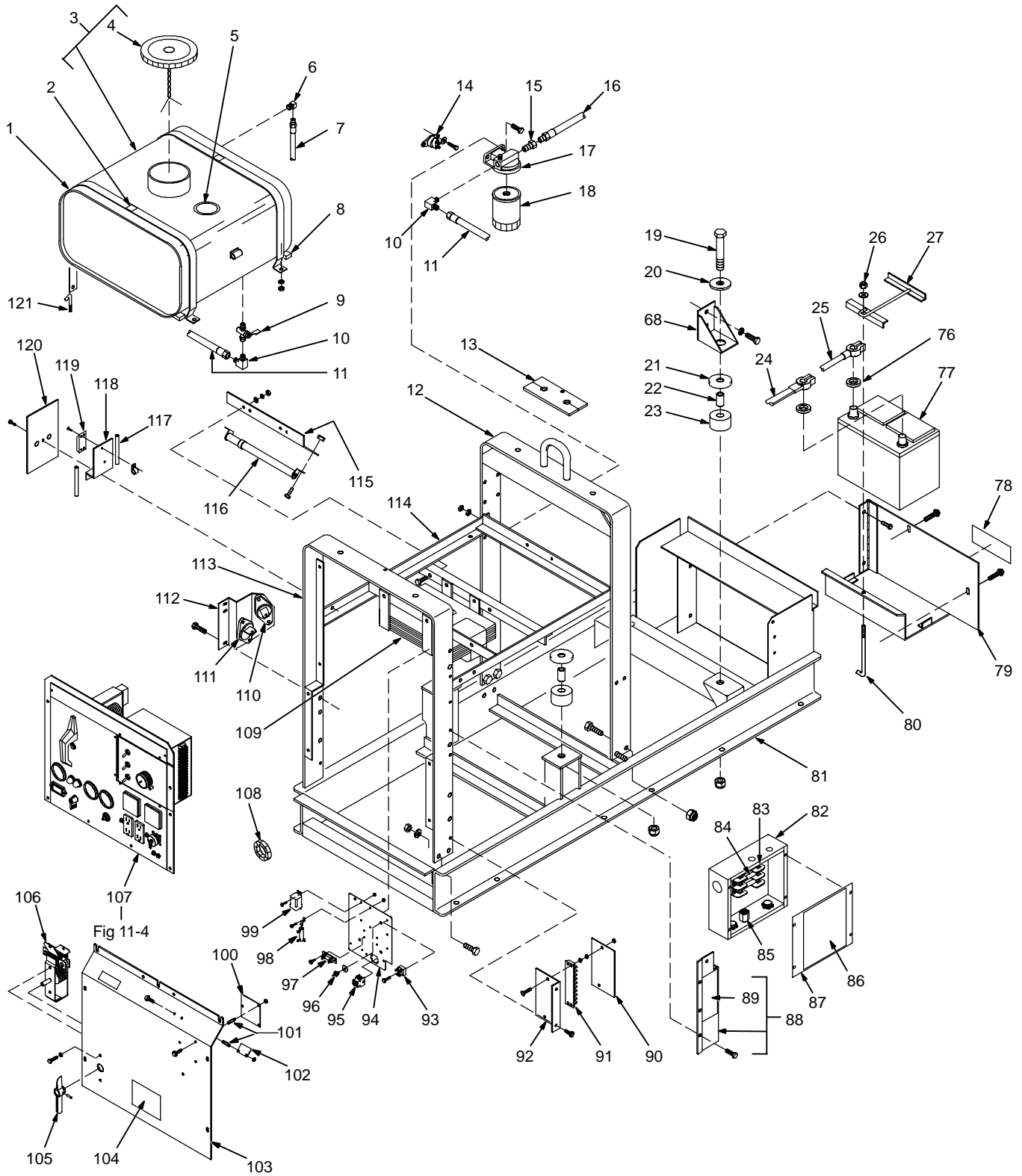
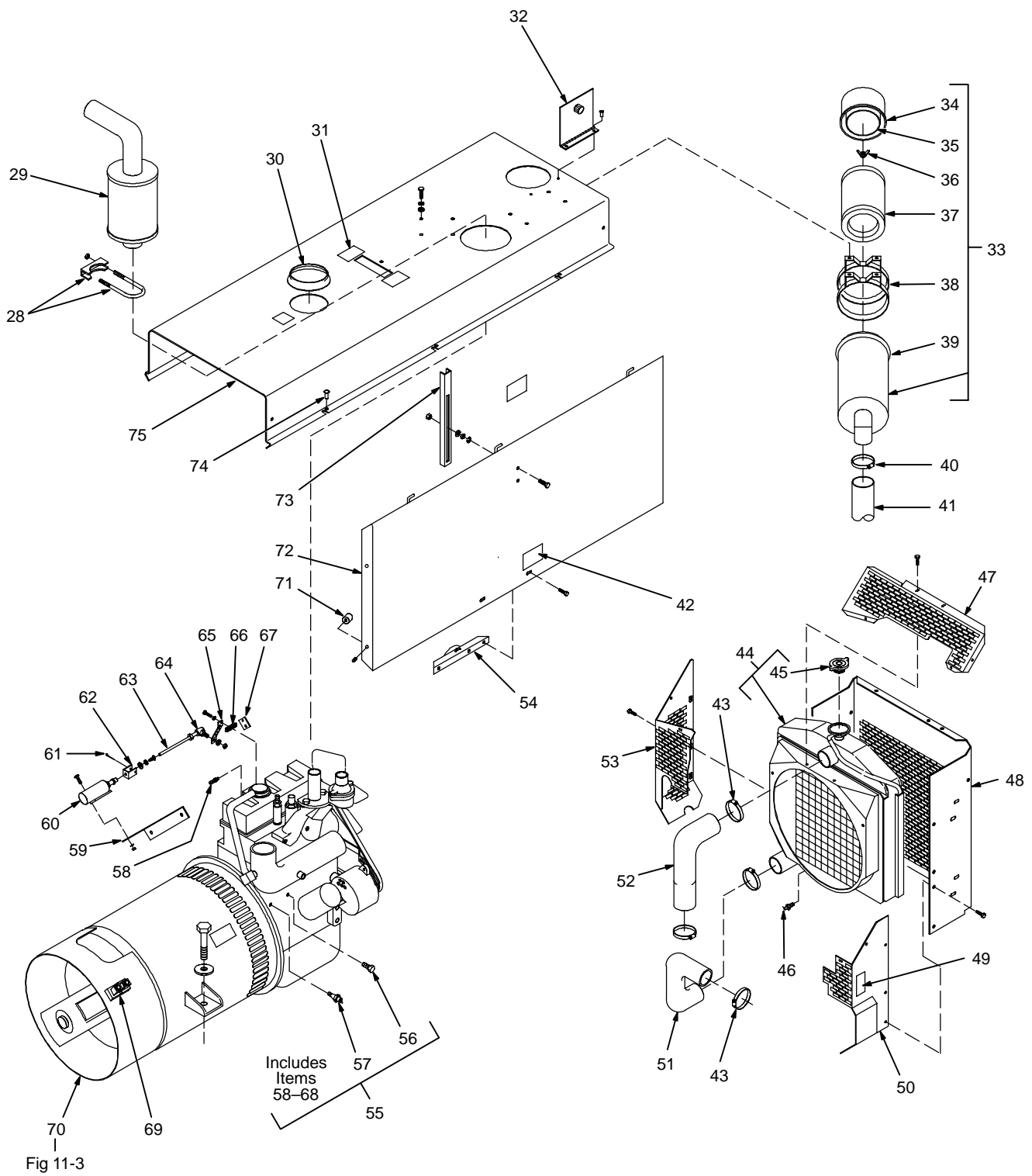


Figure 11-1. Main Assembly



Item No.	Dia. Mkgs.	Part No.	Description	Quantity
Figure 11-1. Main Assembly				
1		089 517	STRAP, fuel tank	2
2		134 771	PLUG, protective .640sq	2
3		184 677	TANK, fuel (consisting of)	1
4		182 022	CAP, fuel large	1
5		146 357	SENDER, fuel gauge	1
	FG	118 066	GAUGE, fuel elec 12V (see Fig 11-4)	1
		020 108	FLANGE, fuel gauge	1
		605 288	FITTING, pipe galv plug sqhd .250NPT	1
6		110 744	FITTING, brs flrd elb M 1/4tbg x 1/8NPT	1
7		110 742	HOSE, fuel 28.000 1/4 swivel	1
8		097 507	STRIP, rbr adh back .125 x 1	2
9		010 314	VALVE, shut off fuel	1
10		110 069	FITTING, brs flrd elb M 1/4tbg x 1/4NPT	2
11		135 572	HOSE, fuel 8.000 1/4 swivel	1
12		188 235	UPRIGHT, base center	1
13		017 479	SEAL, weather lift eye	1
14	CR2	155 309	CONTACTOR, solenoid 12VDC 400A	1
		089 830	FUSE, link (used w/CR1)	1
15		106 394	FITTING, brs flrd conn M hd 1/4tbg 1/4NPT	1
16		106 391	HOSE, fuel 15.000 1/4 swivel (included w/engine)	1
17		179 661	BASE, filter w/adapter	1
18		*192 744	FILTER, fuel spin on	1
19		601 945	SCREW, cap stl hexhd .625-18 x 4.000	4
20		071 731	WASHER, flat stl .656 ID x 2.250 OD	4
21		072 848	TUBING, nprn 2.500 OD x .875 ID x 2.000	4
22		071 730	TUBING, stl .875 OD x 12ga wall x 2.375	4
23		071 890	RETAINER, mount eng/gen	4
24		032 453	CABLE, bat neg (included w/engine)	1
25		182 276	CABLE, bat pos (included w/engine)	1
26		604 433	NUT, stl slflkg hex hvy .312-18	1
		010 954	WASHER, flat stl .406 ID x 1.250 OD	1
27		134 779	HOLDDOWN, bat	1
28		010 875	CLAMP, muffler 2.000dia	1
29		105 740	MUFFLER, exhaust engine	1
30		035 968	WASHER, flat rbr 3.625 ID x 5.875 OD	1
		195 869	CABLE TIE, 0-17.500 weather resistant	1
31		108 487	LABEL, warning falling equipment etc	2
32		028 089	DOOR, access radiator	1
		191 865	BUMPER, door access radiator	2
33		045 657	AIR CLEANER, intake carb (consisting of)	1
34		021 116	CAP, dust	1
35		004 115	BAFFLE, dustcap	1
36		021 117	WING NUT ASSEMBLY	1
37		*020 319	ELEMENT, air cleaner carb	1
38		021 115	BAND, mtg air cleaner	1
39		021 114	CLAMP ASSEMBLY, cup air cleaner	1
40		010 863	CLAMP, hose 2.062-3clp dia	2
41		187 893	HOSE, elb air cleaner	1
42		158 610	LABEL, warning do not run engine	1
43		010 862	CLAMP, hose 1.562 - 2.250clp dia	4
44		197 464	RADIATOR, w/shroud (consisting of)	1
45		605 982	CAP, radiator pressure 7 lb	1
46		006 015	FITTING, pipe brs drain cock 1/4NPT	1
47		197 826	GUARD, fan upper	1
48		109 792	ENCLOSURE, radiator	1
49		147 923	LABEL, warning moving parts	2
50		+197 908	GUARD, fan RH	1
51		113 676	HOSE, radiator lower	1

Item No.	Dia. Mkgs.	Part No.	Description	Quantity
Figure 11-1. Main Assembly (Continued)				
52		084 979	HOSE, radiator	1
53		+197 825	GUARD, fan LH	1
54		087 336	LATCH	2
55		174 771	ENGINE, dsl elec start (consisting of)	1
56		602 887	FITTING, pipe brs plug hexhd 1/4NPT	1
57	S7	025 473	SWITCH, pressure oil	1
58		110 743	FITTING, brs frd conn Mhd 1/4tbg x 1/8NPT	1
59		089 512	BRACKET, mtg solenoid	1
60	TS1	080 517	SOLENOID, 12VDC pull type	1
61		605 277	PIN, cotter .093 x .750 zinc	1
62		049 839	BRACKET, adjustment solenoid	1
63		089 521	ROD, throttle	1
64		024 799	BALL JOINT, 1/4-28thd	1
65		089 518	ARM, throttle	1
66		085 963	SPRING, ext .375 OD x .041 wire	1
67		089 520	STRIP, mtg spring	1
68		089 515	ANGLE, mtg engine	2
	S6	025 474	SWITCH, thermo temp	1
		172 725	BOOT, starter eyelet terminal red	1
69		◆030 081	SHUNT, meter 50MV 500A	1
70		Fig 11-3	GENERATOR	1
71		087 341	BUMPER, door 1.000 OD x .750 high	4
		090 281	LABEL, caution using ether to etc	1
		136 559	LABEL, engine maintenance	1
72		+089 510	DOOR, side	2
73		004 130	BRACKET, support door	2
74		089 343	RIVET, .250dia x 1.000 lg	6
75		+105 631	COVER, top	1
76		108 081	TERMINAL PROTECTOR, bat post mtg	2
77	BAT	071 678	BATTERY, stor 12V 415crk	1
78		168 385	LABEL, warning battery explosion can blind	1
79		+134 782	BATTERY, box	1
80		082 672	BOLT, L stl .312-18 x 6.375	1
81		163 666	BASE	1
82		◆134 903	FUSE BOX	1
83		◆149 541	HOLDER, fuse crtg 45A 250V	1
84		*◆012 625	FUSE, crtg 60A 250V 3 fuses	3
85		◆026 947	STAND-OFF, insulator .250-20 x 1.000 lg	1
86		◆185 000	LABEL, warning aux pwr	1
87		◆134 902	COVER, fuse box	1
		087 318	CLAMP, stl cush 1.000dia	1
88		+113 087	GUARD, panel (consisting of)	1
89		113 730	LABEL, warning stop engine before etc	1
90		◆186 008	INSULATION, term strip	1
91	3T	◆038 601	BLOCK, term 30A 9P	1
92		◆155 731	BRACKET, mtg term strip	1
93	SR4	035 704	RECTIFIER, integ 40A 800V	1
94		173 982	PANEL, mtg components	1
95	PLG9,RC9	168 071	CONNECTOR & SOCKETS	2
96	D9	192 307	KIT, diode w/washers	1
97	C8	170 674	CAPACITOR, board	1
98	R6	030 844	RESISTOR, WW fxd 25W 25 ohm	1
		605 741	CLIP, mtg resistor	2
99	CR3	044 588	RELAY, encl 12VDC 3PDT 10A/120VAC	1
100	PC5	◆150 415	CIRCUIT CARD, connector	1
	PLG6-8	◆165 668	CONNECTOR & SOCKETS	3
101		◆097 132	STAND OFF, No. 6-32 x .375 lg	5
102	PC6	◆152 966	CIRCUIT CARD, filter HF	1

Item No.	Dia. Mkgs.	Part No.	Description	Quantity
Figure 11-1. Main Assembly (Continued)				
.. 103		+181 841	PANEL, front lower	1
		◆042 421	SELECTOR SWITCH, plrt and AC (consisting of)	1
.. 104		134 792	LABEL, warning general precautionary	1
.. 105		111 785	HANDLE, switch	1
.. 106		112 003	SWITCH, plrt	1
		010 647	PIN, spring	1
		◆133 725	LABEL, AC/DC polarity switch	1
		046 507	BUS BAR	1
.. 107		Fig 11-4	PANEL, front w/components	1
.. 108	CT1	105 370	TRANSFORMER, current	1
.. 109	Z1	084 814	REACTOR	1
.. 110	NEG	039 046	TERMINAL, pwr output black	1
.. 111	POS	039 047	TERMINAL, pwr output red	1
		601 880	NUT, stl hex jam .500-13	1
		601 879	NUT, stl hex full fnsh .500-13	1
.. 112		108 127	BRACKET, mtg term pwr output	1
	PC4	148 608	CIRCUIT CARD, filter HF	1
		097 132	STAND-OFF, No 6-32 x .375 lg	2
.. 113		188 237	UPRIGHT, base front	1
.. 114		085 551	FRAME, mtg reactor/fuel tank	1
.. 115		085 656	STRIP, mtg resistor	1
.. 116	R3	128 862	RESISTOR, WW adj 375W 50 ohm	1
.. 117		123 794	EDGE TRIM, (order by foot)	1ft
.. 118		081 499	BRACKET, mtg strip term	1
.. 119	4T	038 621	BLOCK, term 30A 4P	1
		038 620	LINK, jumper term blk 30A	1
.. 120		053 967	INSULATION, rect	1
.. 121		070 010	BOLT, J stl .250-20 x 2.312	2
		143 538	KIT, label	1

*Recommended Spare Parts.

◆OPTIONAL

+When ordering a component originally displaying a precautionary label, the label should also be ordered.

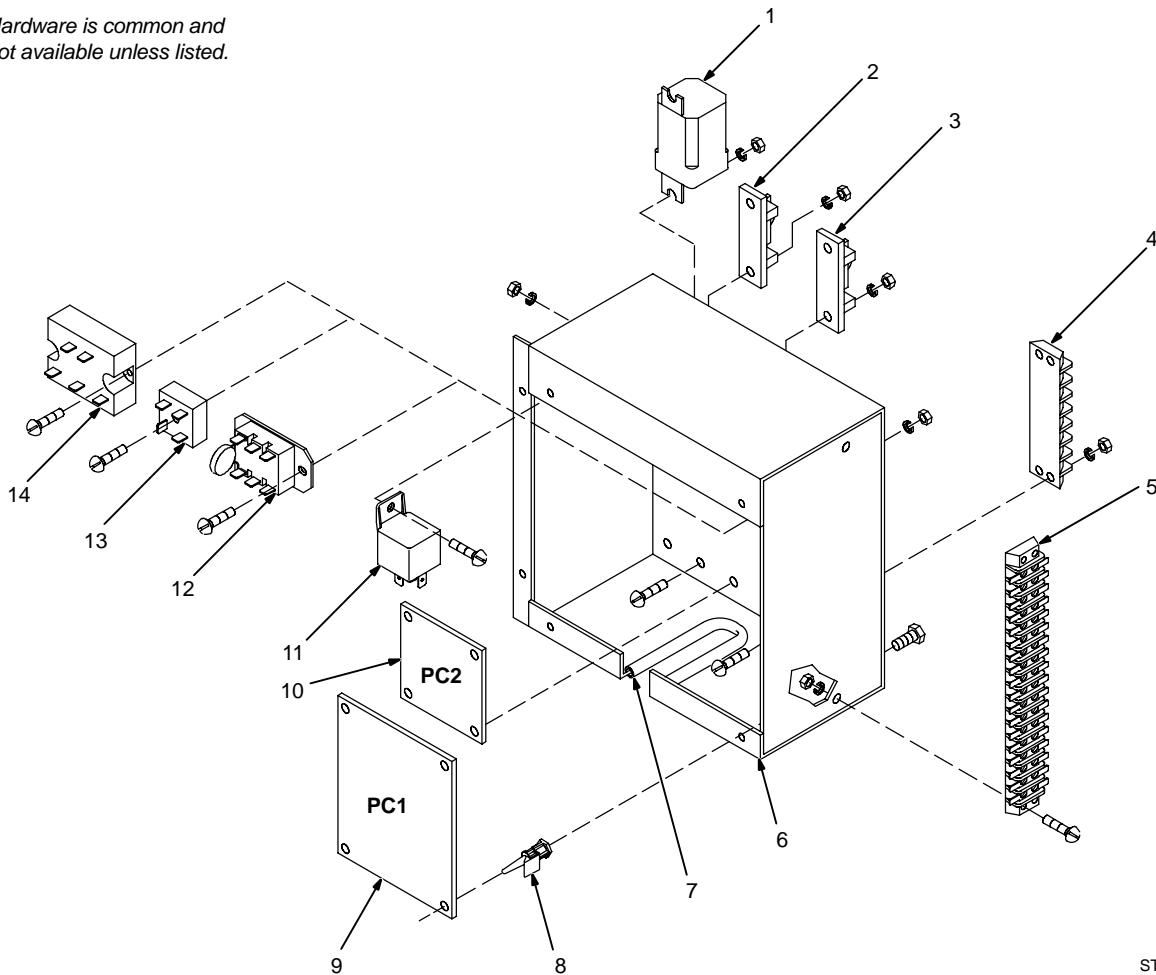
To maintain the factory original performance of your equipment, use only Manufacturer's Suggested Replacement Parts. Model and serial number required when ordering parts from your local distributor.

Item No.	Dia. Mkgs.	Part No.	Description	Quantity
----------	------------	----------	-------------	----------

Figure 11-2. Control Box w/Components (Fig 11-4 Item 12)

...	1	CR1	044 588	RELAY, encl 12VDC 3PDT	1
...	2	R2	◆ 130 515	RESISTOR, board	1
...	3	D1	189 701	DIODE/CAPACITOR BOARD	1
...	4	2T	116 005	BLOCK, term 10A 7P	1
...	5	1T	129 939	BLOCK, term 10A 19P	1
...	6		130 608	MOUNTING BOX, components	1
...	7		603 107	HOSE, nprn slit back .156 ID x .343 OD (order by ft)	1ft
...	8		134 201	STAND-OFF SUPPORT, PC card	8
...	9	PC1	166 207	CIRCUIT CARD, field current regulator	1
...		PLG1	135 275	CONNECTOR PLUG & SOCKETS	1
...	10	PC2	◆ 114 832	CIRCUIT CARD, voltage regulator	1
...	11	CR99	090 104	RELAY, encl 12VDC SPST	1
...	12	SR2	097 353	DIODE/SCR, bridge integ 2scr 3 diodes	1
...	13	SR1	035 704	RECTIFIER, integ 40A 800V	1
...	14	Idle Mod	189 742	MODULE, pull to idle 5 pin	1

☞ Hardware is common and not available unless listed.



ST-109 773-C

Figure 11-2. Control Box w/Components

◆ OPTIONAL

To maintain the factory original performance of your equipment, use only Manufacturer's Suggested Replacement Parts. Model and serial number required when ordering parts from your local distributor.

☐ Hardware is common and not available unless listed.

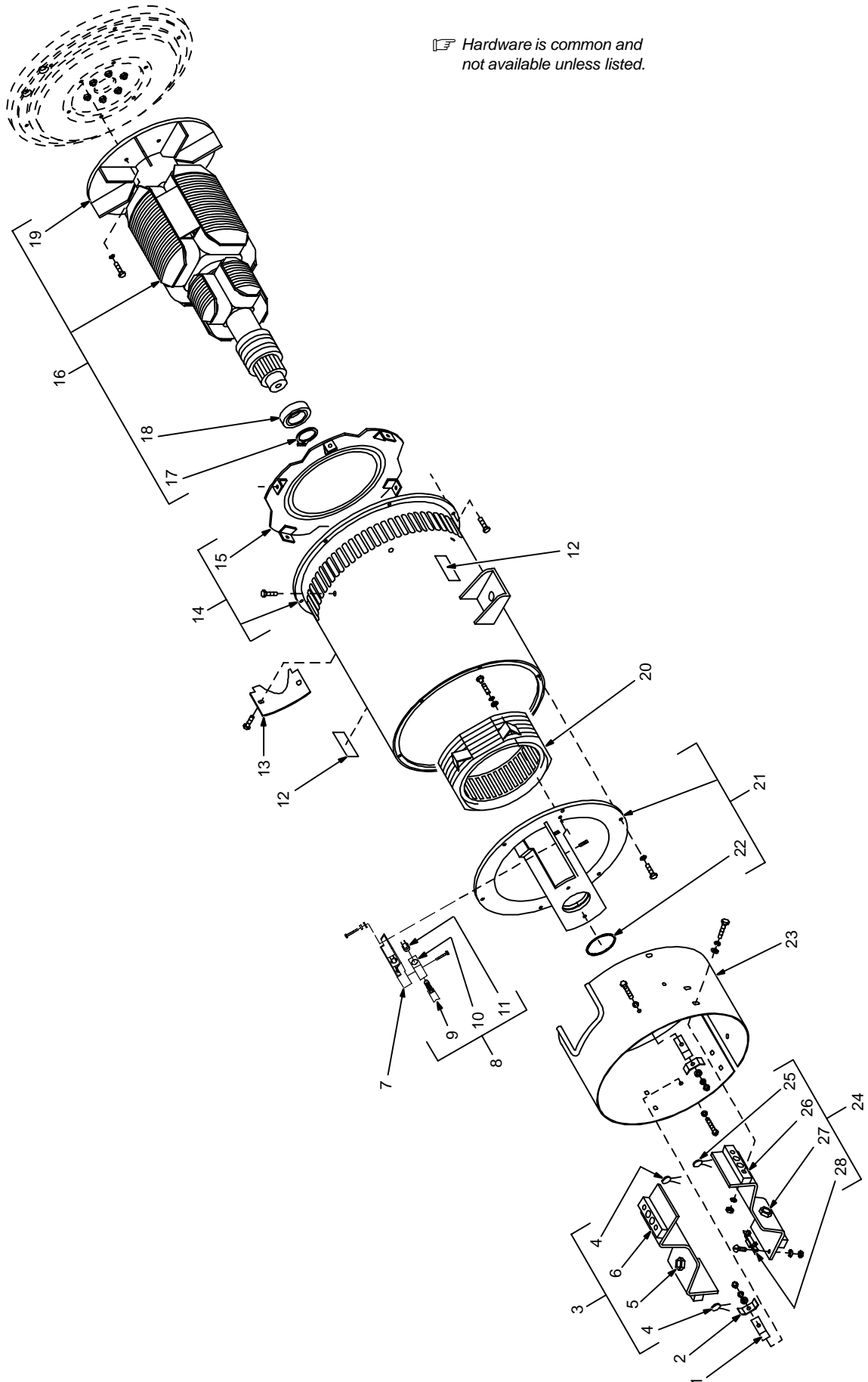


Figure 11-3. Generator

ST-110 922-E

Item No.	Dia. Mkgs.	Part No.	Description	Quantity
----------	------------	----------	-------------	----------

Figure 11-3. Generator (Fig 11-1 Item 70)

...	1	106 426	INSULATOR	4
...	2	106 440	BUS BAR, rectifier	2
...	3	SR3 106 427	DIODE ASSEMBLY, reverse polarity (consisting of)	1
...	4	048 420	CAPACITOR, rectifier	2
...		106 641	CAPACITOR	1
...	5	037 957	DIODE, rect 275A 300V RP	3
...	6	106 425	INSULATOR	2
...	7	173 066	BRACKET, mtg brushholder	1
...	8	018 614	BRUSH SET, (consisting of)	3
...	9	*151 299	BRUSH, contact	1
...	10	600 270	HOLDER, brush	1
...	11	152 044	CAP, brushholder	1
...	12	013 367	LABEL, warning moving parts can cause serious injury	2
...	13	110 371	GUARD, starter	1
...	14	+128 730	STATOR, gen (consisting of)	1
...	14	+♦132 222	STATOR, gen (consisting of)	1
...	15	039 207	BAFFLE, air gen	1
...	16	105 668	ROTOR, gen (consisting of)	1
...	17	024 617	RING, retaining external	1
...	18	053 390	BEARING, ball	1
...	19	089 737	FAN, rotor	1
...		035 776	KEY, .375 x .375 x 2.000	1
...	20	180 684	STATOR, excitor	1
...	21	173 068	ENDBELL, gen (consisting of)	1
...	22	143 220	O-RING, 2.859 ID x .139CS	1
...	23	106 424	BARREL, rectifier	1
...	24	SR3 106 430	DIODE ASSEMBLY, (consisting of)	1
...	25	048 420	CAPACITOR, rectifier	2
...		106 641	CAPACITOR	1
...	26	106 425	INSULATOR	1
...	27	037 956	DIODE, rect 275A 300V SP	3
...	28	VR1,R4 046 819	SUPPRESSOR	1

♦OPTIONAL

*Recommended Spare Parts.

+When ordering a component originally displaying a precautionary label, the label should also be ordered.

To maintain the factory original performance of your equipment, use only Manufacturer's Suggested Replacement Parts. Model and serial number required when ordering parts from your local distributor.

☞ Hardware is common and not available unless listed.

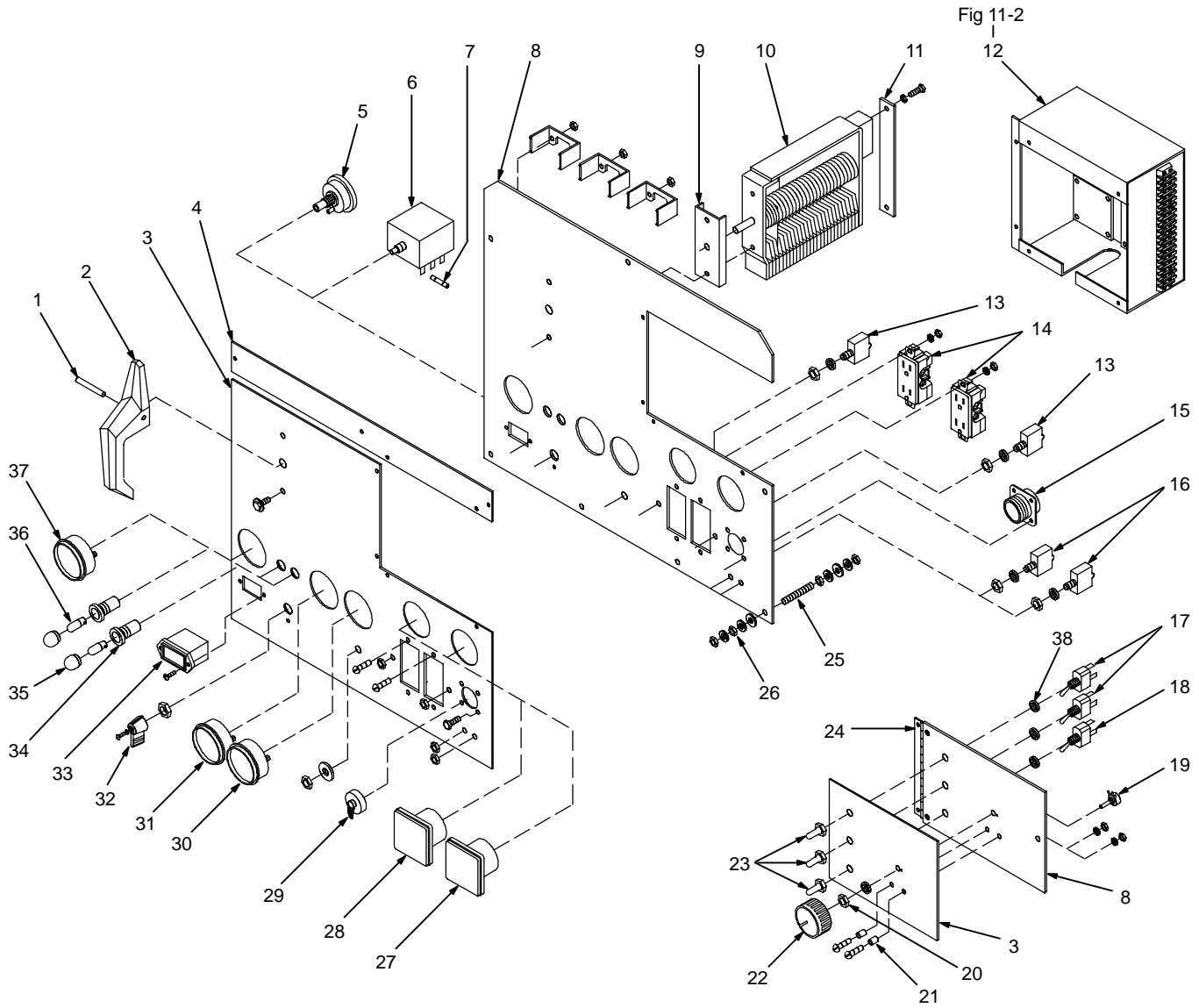


Figure 11-4. Panel, Front w/Components

ST-110 872-C

Item No.	Dia. Mkgs.	Part No.	Description	Quantity
Figure 11-4. Panel, Front w/Components (Fig 11-1 Item 107)				
1		010 647	PIN, spring CS .156 x 1.250	1
2		044 328	HANDLE, switch range	1
3			PLATE, indent control rating (order by model and serial number)	1
4			NAMEPLATE, (order by model and serial number)	1
5	S1	172 070	SWITCH, ign 5posn	1
		041 959	AUTOMATIC SHUTDOWN LO-HI TEMP, (consisting of)	1
		110 958	SWITCH, automatic shutdown (consisting of)	1
6	MS1	011 072	SWITCH, magnetic (consisting of)	1
7	F	*048 317	FUSE, mintr gl 14A 32V	1
	D8	087 970	DIODE	1
8		131 999	PANEL, front upper	1
9		086 706	SPACER, range switch	1
10	S3	119 850	SWITCH, range/changeover	1
11		086 991	BRACKET, support switch range	1
12		Fig 11-2	CONTROL BOX w/COMPONENTS	1
13	CB1,2	139 266	CIRCUIT BREAKER, man reset 1P 15A 250V	2
14	RC1,2	170 901	RECEPTACLE, str dx grd 2P3W 15A 125V	2
14	GFCI1,2	◆168 068	RECEPTACLE, str dx grd 2P3W 15A 125V	2
		◆042 655	RECEPTACLE KIT, 240V (consisting of)	1
14	RC1	604 103	RECEPTACLE, str dx grd 2P3W 15A 250V	1
14	RC2	039 864	RECEPTACLE, str dx grd 2P3W 15A 125V	1
15	RC3	◆143 976	CONNECTOR w/SOCKETS	1
16	CB3,4	◆083 432	CIRCUIT BREAKER, man reset 1P 10A 250V	2
17	S4,5	◆011 609	SWITCH, tgl SPDT 15A 125VAC	2
18	S9	◆011 611	SWITCH, tgl DPDT 15A 125V	1
19	R1	072 462	POTENTIOMETER, C std sft 1/T 2W 1000 ohm (consisting of)	1
20		072 590	LOCK, shaft pot .375-32 x .250dia sft	1
21		022 289	TUBING, stl .312 OD x .187 ID x .437	2
22		097 926	KNOB, pointer	1
23		◆021 385	BOOT, tgl switch lever	2
24		170 663	HINGE, panel front	1
25		083 030	STUD, brs grd .250-20 x 1.750	1
26		601 836	NUT, brs hex .250-20	3
		◆041 569	METER KIT, A & V DC (consisting of)	1
27	A2	◆046 652	METER, amp DC 50MV 0-600	1
28	V	◆046 654	METER, volt DC 0-100	1
		◆030 081	SHUNT, meter 500 KV 500A	1
		◆003 645	BUS BAR, shunt/sec	2
		◆145 626	BRACKET, mtg shunt	1
29		◆039 885	CAP, dust connector 9760-20	1
		◆041 606	ENGINE METER KIT, (consisting of)	1
30		047 842	GAUGE, pressure 5-100 lbs	1
31		047 841	GAUGE, temperature mechanical 100/250deg	1
		128 829	KIT, oil line 44.000 in 1/8NPT x 10mm	1
		602 946	FITTING, pipe brs tee B 1/8NPT	1
		602 898	FITTING, pipe brs nipple close 1/8NPT	1
32		119 014	LEVER, switch black	1
33	HM	145 247	METER, hour 4-40VDC	1
		604 784	SCREW, mach brs rdh 6-32 x .500	2
		601 829	NUT, brs hex 6-32	2
34		082 788	HOLDER, light ind	2
35		082 789	LENS, light ind red	2
36	PL1,2	*048 155	BULB, incand flg base 12V	2
37	FG	118 066	GAUGE, fuel elec 12V	1
38		189 404	SPACER, nylon	3

◆OPTIONAL

*Recommended Spare Parts.

To maintain the factory original performance of your equipment, use only Manufacturer's Suggested Replacement Parts. Model and serial number required when ordering parts from your local distributor.

HOBART WARRANTY

Effective January 1, 2000

(Equipment with a serial number preface of "LA" or newer)

This limited warranty supersedes all previous Hobart warranties and is exclusive with no other guarantees or warranties expressed or implied.

Warranty Questions?

Call

1-877-HOBART1

for your local
Hobart distributor.

Service

You always get the fast, reliable response you need. Most replacement parts can be in your hands in 24 hours.

Support

Need fast answers to the tough welding questions? Contact your distributor or call 1-800-332-3281. The expertise of the distributor and Hobart is there to help you, every step of the way.

LIMITED WARRANTY – Subject to the terms and conditions below, Hobart Welding Products., Troy, Ohio, warrants to its original retail purchaser that new Hobart equipment sold after the effective date of this limited warranty is free of defects in material and workmanship at the time it is shipped by Hobart. THIS WARRANTY IS EXPRESSLY IN LIEU OF ALL OTHER WARRANTIES, EXPRESS OR IMPLIED, INCLUDING THE WARRANTIES OF MERCHANTABILITY AND FITNESS.

Within the warranty periods listed below, Hobart will repair or replace any warranted parts or components that fail due to such defects in material or workmanship. Hobart must be notified in writing within thirty (30) days of such defect or failure, at which time Hobart will provide instructions on the warranty claim procedures to be followed.

Hobart shall honor warranty claims on warranted equipment listed below in the event of such a failure within the warranty time periods. All warranty time periods start on the date that the equipment was delivered to the original retail purchaser, or one year after the equipment is sent to a North American distributor or eighteen months after the equipment is sent to an International distributor.

1. 5 Years Parts – 3 Years Labor
 - * Original main power rectifiers
 - * Inverters (input and output rectifiers only)
2. 3 Years — Parts and Labor
 - * Transformer/Rectifier Power Sources
 - * Plasma Arc Cutting Power Sources
 - * Semi-Automatic and Automatic Wire Feeders
 - * Inverter Power Supplies
 - * Intelligig
 - * Engine Driven Welding Generators
(NOTE: Engines are warranted separately by the engine manufacturer.)
3. 1 Year — Parts and Labor
 - * DS-2 Wire Feeder
 - * Motor Driven Guns (w/exception of Spoolmate 185 & Spoolmate 250)
 - * Process Controllers
 - * Positioners and Controllers
 - * Automatic Motion Devices
 - * RFCS Foot Controls
 - * Induction Heating Power Sources
 - * Water Coolant Systems
 - * HF Units
 - * Grids
 - * Maxstar 140
 - * Spot Welders
 - * Load Banks
 - * Hobart Cyclomatic Equipment
 - * Running Gear/Trailers
 - * Plasma Cutting Torches (except APT & SAF Models)
 - * Field Options
(NOTE: Field options are covered under True Blue® for the remaining warranty period of the product they are installed in, or for a minimum of one year — whichever is greater.)
4. 6 Months — Batteries
5. 90 Days — Parts
 - * MIG Guns/TIG Torches
 - * Induction Heating Coils and Blankets

- * APT, ZIPCUT & PLAZCUT Model Plasma Cutting Torches
- * Remote Controls
- * Accessory Kits
- * Replacement Parts (No labor)
- * Spoolmate 185 & Spoolmate 250
- * Canvas Covers

HOBART's Limited Warranty shall not apply to:

1. **Consumable components; such as contact tips, cutting nozzles, contactors, brushes, slip rings, relays or parts that fail due to normal wear.**
2. Items furnished by Hobart, but manufactured by others, such as engines or trade accessories. These items are covered by the manufacturer's warranty, if any.
3. Equipment that has been modified by any party other than Hobart, or equipment that has been improperly installed, improperly operated or misused based upon industry standards, or equipment which has not had reasonable and necessary maintenance, or equipment which has been used for operation outside of the specifications for the equipment.

HOBART PRODUCTS ARE INTENDED FOR PURCHASE AND USE BY COMMERCIAL/INDUSTRIAL USERS AND PERSONS TRAINED AND EXPERIENCED IN THE USE AND MAINTENANCE OF WELDING EQUIPMENT.

In the event of a warranty claim covered by this warranty, the exclusive remedies shall be, at Hobart's option: (1) repair; or (2) replacement; or, where authorized in writing by Hobart in appropriate cases, (3) the reasonable cost of repair or replacement at an authorized Hobart service station; or (4) payment of or credit for the purchase price (less reasonable depreciation based upon actual use) upon return of the goods at customer's risk and expense. Hobart's option of repair or replacement will be F.O.B., Factory at Appleton, Wisconsin, or F.O.B. at a Hobart authorized service facility as determined by Hobart. Therefore no compensation or reimbursement for transportation costs of any kind will be allowed.

TO THE EXTENT PERMITTED BY LAW, THE REMEDIES PROVIDED HEREIN ARE THE SOLE AND EXCLUSIVE REMEDIES. IN NO EVENT SHALL HOBART BE LIABLE FOR DIRECT, INDIRECT, SPECIAL, INCIDENTAL OR CONSEQUENTIAL DAMAGES (INCLUDING LOSS OF PROFIT), WHETHER BASED ON CONTRACT, TORT OR ANY OTHER LEGAL THEORY.

ANY EXPRESS WARRANTY NOT PROVIDED HEREIN AND ANY IMPLIED WARRANTY, GUARANTY OR REPRESENTATION AS TO PERFORMANCE, AND ANY REMEDY FOR BREACH OF CONTRACT TORT OR ANY OTHER LEGAL THEORY WHICH, BUT FOR THIS PROVISION, MIGHT ARISE BY IMPLICATION, OPERATION OF LAW, CUSTOM OF TRADE OR COURSE OF DEALING, INCLUDING ANY IMPLIED WARRANTY OF MERCHANTABILITY OR FITNESS FOR PARTICULAR PURPOSE, WITH RESPECT TO ANY AND ALL EQUIPMENT FURNISHED BY HOBART IS EXCLUDED AND DISCLAIMED BY HOBART.

Some states in the U.S.A. do not allow limitations of how long an implied warranty lasts, or the exclusion of incidental, indirect, special or consequential damages, so the above limitation or exclusion may not apply to you. This warranty provides specific legal rights, and other rights may be available, but may vary from state to state.

In Canada, legislation in some provinces provides for certain additional warranties or remedies other than as stated herein, and to the extent that they may not be waived, the limitations and exclusions set out above may not apply. This Limited Warranty provides specific legal rights, and other rights may be available, but may vary from province to province.





Owner's Record

Please complete and retain with your personal records.

Model Name

Serial/Style Number

Purchase Date

(Date which equipment was delivered to original customer.)

Distributor

Address

City

State

Zip



Resources Available

Always provide Model Name and Serial/Style Number.

To locate a Distributor, retail or service location:

Call 1-877-Hobart1 or visit our website at www.HobartWelders.com

For technical assistance:

Call 1-800-332-3281

Contact your Distributor for:

Welding Supplies and Consumables

Options and Accessories

Personal Safety Equipment

Service and Repair

Replacement Parts

Training (Schools, Videos, Books)

Technical Manuals (Servicing Information and Parts)

Circuit Diagrams

Welding Process Handbooks

Contact the Delivering Carrier for:

For assistance in filing or settling claims, contact your distributor and/or equipment manufacturer's Transportation Department.

File a claim for loss or damage during shipment.

Hobart Welding Products

An Illinois Tool Works Company
600 West Main Street
Troy, OH 45373 USA

For Technical Assistance:

Call 1-800-332-3281
For Literature Or Nearest Dealer:
Call 1-877-Hobart1