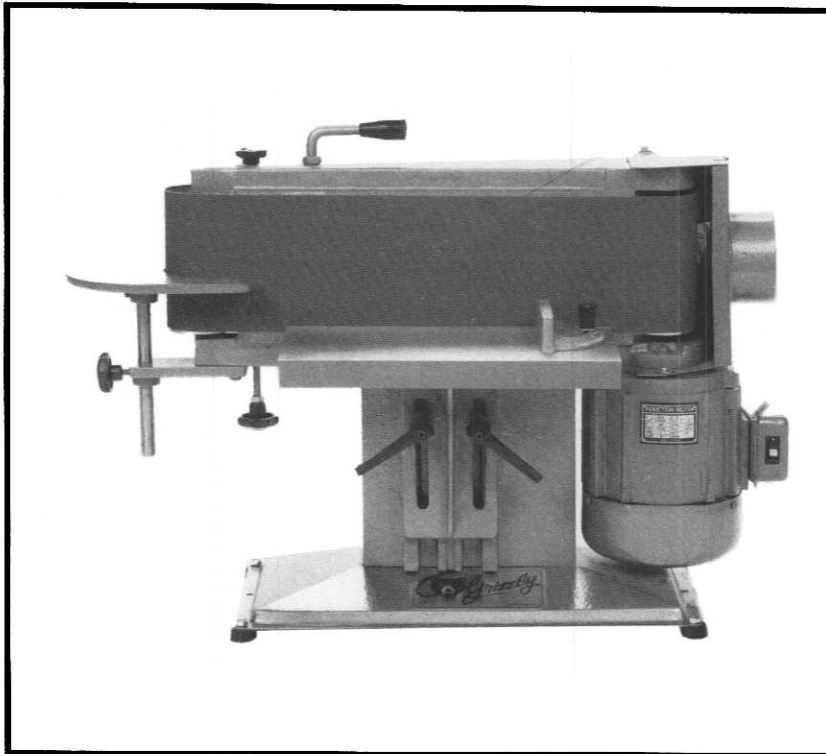




**EDGE SANDER
MODEL G1072
INSTRUCTION MANUAL**



GRIZZLY IMPORTS, INC.

COPYRIGHT ©1993 BY GRIZZLY IMPORTS, INC.
WARNING: NO PORTION OF THIS MANUAL MAY BE REPRODUCED IN ANY
SHAPE OR FORM WITHOUT THE WRITTEN APPROVAL OF GRIZZLY IMPORTS, INC.
PRINTED IN USA, JANUARY 1993

WARNING

Some dust created by power sanding, sawing, grinding, drilling, and other construction activities contains chemicals known to the State of California to cause cancer, birth defects or other reproductive harm. Some examples of these chemicals are:

- Lead from lead-based paints.
- Crystalline silica from bricks, cement, and other masonry products.
- Arsenic and chromium from chemically treated lumber.

Your risk from these exposures varies, depending on how often you do this type of work. To reduce your exposure to these chemicals: work in a well ventilated area, and work with approved safety equipment, such as those dust masks that are specially designed to filter out microscopic particles.

WOODWORKING EQUIPMENT SAFETY INSTRUCTIONS

WARNING

For Your Own Safety Read Instruction Manual Before Operating This Equipment

Woodworking can be fun and rewarding, however it can also be a dangerous activity if safe and proper operating procedures are not followed. Please take the time to review the manual which was supplied with your machine, as well as these general safety instructions. Make sure you have properly assembled and adjusted the machine before operating it the first time. Also make certain you understand the procedures you are going to perform. Thinking through the steps or going through the motions of the operation with the machine off is often a good way to anticipate potential problems. Always use common sense and exercise caution in the workshop. If a procedure feels dangerous or awkward, don't do it!

If the instruction manual does not answer your questions, or you cannot find assistance from other woodworking books or references, please contact Grizzly Industrial's Customer Service:

Grizzly Industrial, Inc.
1203 Lycoming Mall Circle
Muncy, PA 17756
Phone: (570) 546-9663
Fax: 1-800-438-5901
E-Mail: techsupport@grizzly.com
Web Site: <http://www.grizzly.com>

WARNING

Safety Instructions For Power Tools

- 1. KEEP GUARDS IN PLACE** and in working order.
- 2. REMOVE ADJUSTING KEYS AND WRENCHES.** Form a habit of checking to see that keys and adjusting wrenches are removed from tool before turning on.
- 3. KEEP WORK AREA CLEAN.** Cluttered areas and benches invite accidents.
- 4. DO NOT USE IN DANGEROUS ENVIRONMENT.** DO NOT use power tools in damp or wet locations, or where any flammable or noxious fumes may exist. Keep work area well lighted.
- 5. KEEP CHILDREN AND VISITORS AWAY.** All children and visitors should be kept a safe distance from work area.
- 6. MAKE WORK SHOP CHILD PROOF** with padlocks, master switches, or by removing starter keys.
- 7. DO NOT FORCE TOOL.** It will do the job better and safer at the rate for which it was designed.
- 8. USE RIGHT TOOL.** DO NOT force tool or attachment to do a job for which it was not designed.

WARNING

Safety Instructions For Power Tools

9. **USE PROPER EXTENSION CORD.** Make sure your extension cord is in good condition. Conductor size should be in accordance with the chart below. The amperage rating should be listed on the motor or tool nameplate. An undersized cord will cause a drop in line voltage resulting in loss of power and overheating. Your extension cord must also contain a ground wire and plug pin. Always repair or replace extension cords if they become damaged.

Minimum Gauge for Extension Cords

AMP RATING	LENGTH		
	25ft	50ft	100ft
0-6	16	16	16
7-10	16	16	14
11-12	16	16	14
13-16	14	12	12
17-20	12	12	10
21-30	10	10	No

10. **WEAR PROPER APPAREL.** DO NOT wear loose clothing, gloves, neckties, rings, bracelets, or other jewelry which may get caught in moving parts. Non-slip footwear is recommended. Wear protective hair covering to contain long hair.
11. **ALWAYS USE SAFETY GLASSES.** Also use face or dust mask if cutting operation is dusty. Everyday eyeglasses only have impact resistant lenses, they are NOT safety glasses.
12. **SECURE WORK.** Use clamps or a vise to hold work when practical. It's safer than using your hand and frees both hands to operate tool.
13. **DO NOT OVERREACH.** Keep proper footing and balance at all times.
14. **MAINTAIN TOOLS WITH CARE.** Keep tools sharp and clean for best and safest performance. Follow instructions for lubricating and changing accessories.
15. **USE RECOMMENDED ACCESSORIES.** Consult the owner's manual for recommended accessories. The use of improper accessories may cause risk of injury.

16. **REDUCE THE RISK OF UNINTENTIONAL STARTING.** On machines with magnetic contact starting switches there is a risk of starting if the machine is bumped or jarred. Always disconnect from power source before adjusting or servicing. Make sure switch is in OFF position before reconnecting.

17. **MANY WOODWORKING TOOLS CAN "KICKBACK" THE WORKPIECE** toward the operator if not handled properly. Know what conditions can create "kickback" and know how to avoid them. Read the manual accompanying the machine thoroughly.

18. **CHECK DAMAGED PARTS.** Before further use of the tool, a guard or other part that is damaged should be carefully checked to determine that it will operate properly and perform its intended function. Check for alignment of moving parts, binding of moving parts, breakage of parts, mounting, and any other conditions that may affect its operation. A guard or other part that is damaged should be properly repaired or replaced.

19. **NEVER LEAVE TOOL RUNNING UNATTENDED. TURN POWER OFF.** DO NOT leave tool until it comes to a complete stop.

20. **NEVER OPERATE A MACHINE WHEN TIRED, OR UNDER THE INFLUENCE OF DRUGS OR ALCOHOL.** Full mental alertness is required at all times when running a machine.

CAUTION

No list of safety guidelines can be complete. Every shop environment is different. Always consider safety first, as it applies to your individual working conditions. Use this and other machinery with caution and respect. Failure to do so could result in serious personal injury, damage to equipment or poor work results.

TABLE OF CONTENTS

I. INTRODUCTION	1
II. COMMENTARY	1
III. SAFETY RULES FOR ALL TOOLS	2
IV. UNPACKING	4
V. PIECE INVENTORY	4
VI. CLEAN UP BEFORE ASSEMBLY	5
VII. ELECTRICAL SERVICE REQUIREMENTS	6
A. GENERAL INFORMATION	6
B. GROUNDING	6
C. GENERAL INFORMATION	6
D. WORD OF CAUTION	6
VIII. ASSEMBLY	7
A. TOOLS REQUIRED	7
B. TABLE	7
C. AUXILIARY TABLE	7
D. DUST CHUTE	8
IX. ADJUSTMENTS	8
A. BELT CHANGES	8
B. BELT TENSION	9
C. BELT TRACKING	10
X. SANDER SAFETY	10
XI. TEST RUN	11
XII. OPERATIONS	12
A. EDGE SANDING	12
B. CURVE SANDING	12
XIII. CLOSURE	13

XIV. MACHINE DATA..... 14
XV. PARTS LIST 15
XVI. PARTS DIAGRAM 16
XVII. WARRANTY & RETURNS 17
NOTES 18

COPYRIGHT ©1993 BY GRIZZLY IMPORTS, INC.
WARNING: NO PORTION OF THIS MANUAL MAY BE REPRODUCED IN ANY
SHAPE OR FORM WITHOUT THE WRITTEN APPROVAL OF GRIZZLY IMPORTS, INC.
PRINTED IN USA, JANUARY, 1993

I. INTRODUCTION

We are proud to bring you the Model G1072 Edge Sander. The Model G1072 is part of a growing Grizzly family of fine woodworking machinery. When used according to the guidelines set forth in this manual, you can expect years of trouble-free, enjoyable operation and proof of Grizzly's commitment to customer satisfaction.

The Model G1072 is designed to sand the edges of wood and wood composite material. Single or complete units such as drawer sides can be sanded in preparation for finishing. This unit is suitable for sanding large edge surfaces as well as small contoured or beveled pieces. Its portability makes the machine easy to use. It comes complete with motor and electrical package.

We are also pleased to provide this instruction manual with the Model G1072 Edge Sander. This instruction manual was written to guide you through assembly, review safety considerations and cover general operating procedures. It represents our latest effort to produce the best documentation possible. If you have any constructive criticisms or comments that you feel we should include in our next printing, please write to us at the address below.

Manager, Technical Documentation
Grizzly Imports, Inc.
P.O. Box 2069
Bellingham, WA 98227-2069

Finally, we stand behind our machines. We have two excellent regional service departments at your disposal, should the need ever arise. If you have any service questions or parts requests, please call or write to us at the appropriate location listed below:

If you live West of the
Mississippi River, contact:
P.O. Box 2069
Bellingham, WA 98227
Phone (206) 647-0801

If you live East of the
Mississippi River, contact:
2406 Reach Road
Williamsport, PA 17701
Phone (717) 326-3806

II. COMMENTARY

As with any tool or machine, a thorough understanding of how this Edge Sander operates is necessary for safe operation. Please take the time to read this manual thoroughly. If you do not understand something, **DO NOT** operate this machine. Contact us first for assistance or advice. Grizzly cautions that although our Safety Rules are extensive, they aren't necessarily comprehensive. The bottom line on safety is this: *Make sure a setup or operation is safe as it applies to your situation.* What's safe in one shop might be dangerous in another.

We would also like to state that the specifications, drawings and photographs in this manual represent the Model G1072 as supplied when this manual was prepared. We are meticulous with our manuals; however, product changes or discrepancies can occur. Whenever possible, we send manual updates to all owners of a particular tool or machine. Should you receive one, please insert the new information with the old and keep it for reference.

We recommend that you keep a copy of our current catalog for complete information regarding Grizzly warranty and return policy. Should you need additional technical information relating to this machine, parts, or general assistance, please contact the appropriate regional service department.

We also believe additional information sources are very important to help you better realize the full potential of this machine. Trade journals, woodworking magazines, fellow woodworkers and your local library are all excellent sources.

Again, thanks for choosing Grizzly.

III. SAFETY RULES FOR ALL TOOLS

There is a certain amount of danger associated with the use of this Edge Sander. Operating it with respect and caution will considerably lessen the possibility of personal injury. If these safety precautions are ignored, consequences could be dire.

The Model G1072 was designed specifically to sand the edges of small-to-medium sized pieces of wood. This machine should never be modified or used for any other purpose than that for which it was intended. As well as being dangerous, modifications or improper use of the Model G1072 will void all warranties.

1. **KNOW YOUR MACHINE.** Read the owner's manual carefully. Learn the machine's capabilities and limitations as well as the potential hazards associated with it.
2. **KEEP ALL GUARDS IN PLACE** and in working order.
3. **GROUND ALL NON-INSULATED TOOLS.** If the machine has a three-prong plug, it should be plugged into a grounded three-hole electrical receptacle. If an adapter is used to accommodate a two-prong receptacle, the adapter plug must be attached to a known ground. Never remove the grounding prong from the plug.
4. **REMOVE ADJUSTING KEYS AND WRENCHES.** Develop the habit of checking to see that keys and adjusting wrenches are removed from the machine before turning it on.
5. **KEEP WORK AREA CLEAN.** Cluttered areas and benches invite accidents.
6. **AVOID DANGEROUS ENVIRONMENTS.** Do not use power tools in damp or wet locations, or expose them to rain. Keep work area well lighted.
7. **MAINTAIN A SHOP "SAFE ZONE".** Keep all visitors a safe distance from the work area.
8. **MAKE WORKSHOP CHILD-PROOF.** Use padlocks, lockable master switches, or remove starter keys.
9. **DO NOT FORCE MATERIAL INTO THE MACHINE.** It will do the job better and safer at the rate for which it was designed.

10. **USE THE RIGHT TOOL.** Do not use a tool or attachment to do a job that it was not designed to do.
11. **WEAR PROPER APPAREL.** Do not wear loose clothing, gloves, neckties or jewelry that may get caught in moving parts. Non-slip footwear is also recommended. Wear a hat or hair-covering to contain long hair.
12. **USE SAFETY GLASSES AND EAR PROTECTION.** Also, use a dust mask or respirator if an operation produces dust.
13. **SECURE WORK.** Use clamps or a fixture to hold work piece. It is safer than using your hand and frees both hands to operate the tool.
14. **DO NOT OVERREACH.** Keep proper footing and balance at all times.
15. **MAINTAIN MACHINE IN TOP CONDITION.** Keep cutting edges sharp and clean for safest, most accurate performance. Follow instructions for lubricating and changing accessories.
16. **DISCONNECT MACHINE** from power source and wait for all moving parts to stop before inspecting or servicing and before changing accessories.
17. **USE RECOMMENDED ACCESSORIES.** Refer to the current catalog for recommended accessories. The use of improper accessories may be hazardous.
18. **AVOID ACCIDENTAL STARTING.** Make sure switch is in the "OFF" position before plugging in power cord.
19. **NEVER STAND OR LEAN ON MACHINE.** Serious injury could occur if the machine is tipped or if the cutting edge is accidentally touched.
20. **INSPECT MACHINE BEFORE EACH USE.** Before each use of the machine, any part that is damaged should be repaired or replaced. Check for proper alignment, binding, mounting, and any other conditions that may affect machine operation. Perform maintenance service promptly when called for.
21. **DIRECTION OF FEED.** Always feed work into a blade or cutter *against* the direction of rotation of the blade or cutterhead.
22. **NEVER LEAVE MACHINE RUNNING UNATTENDED — TURN POWER OFF.** Do not leave machine until it comes to a complete stop.
23. **DO NOT OPERATE MACHINE WHILE UNDER THE INFLUENCE** of drugs, alcohol, or any medication that will affect your competence or judgement.
24. **DO NOT WORK IN HASTE** or operate machine if you are mentally or physically fatigued.
25. **IF THERE IS SOMETHING YOU DO NOT KNOW OR UNDERSTAND, DO NOT OPERATE MACHINE!** Ask for help first. Confusion can be dangerous.
26. **BAD HABITS ARE DANGEROUS.** Periodically review all safety procedures.

IV. UNPACKING

Your Edge Sander has arrived in a carefully packed carton. If you find concealed damage after you've signed the delivery receipt and the truck and driver have left, you will need to file a freight claim with the carrier. Save the containers and all packing material for inspection by the carrier or their agent. Without the packing material, filing a freight claim could be difficult. If you need advice for this situation, please call us.

CAUTION: This Edge Sander weighs over 100 lbs. **DO NOT** over-exert yourself when lifting it out of its box; get help to lift this machine if necessary.

When you are completely satisfied with the condition of your shipment, you should now inventory its parts.

V. PIECE INVENTORY

After all the parts have been removed from the container, you should have:

- Table
- Auxilliary Table
- Dust Chute
- Wrench bag with hardware
- Sanding belt
- Tension lever

In the rare event that any standard hardware is missing (e.g., a nut or a washer), we would be happy to replace it, but it would probably be quicker and less expensive for you if you were to buy replacements from your local hardware store. However, if an unusual amount of fasteners or proprietary parts are missing, please let us know.

For your convenience, the following list contains the minimum quantity and size of the fasteners needed and where they should be used. A complete parts list is found at the end of this manual.

Quantity	Description	Location
2	Phillips screws	Dust chute
2	washers	Dust chute
1	Auxilliary Table	Support Block
1	Dust chute	Over Roller
2	Lockwasher	Table
2	$\frac{5}{16}$ " x 18 x 1" Hex bolt	Table

When you have completed your inventory, set the parts aside until they're ready for assembly.

VI. CLEAN UP BEFORE ASSEMBLY

The unpainted cast aluminum table surface may be sealed with a waxy coating (cosmolene) or an oily varnish to protect it from corrosion during shipment. The best way to remove either coating is with common paint thinner (mineral spirits) and clean rags. Do not use gasoline or petroleum-based products because of their extremely low flash points. Nor should you use chlorinated solvents such as perchloroethylene—if you happen to splash some onto a painted surface, you'll ruin the finish. Before cleaning, please keep in mind the following safety rules when working with solvents:

- Read and follow all directions and warnings on the solvent label.
- Work only in a well-ventilated area.
- Do not work near any type of open flame (e.g., pilot lights, kerosene heaters, and so on).
- **DO NOT** smoke while working with flammable material.
- Paper towels or rags from the cleaning process are quite combustible. Dispose of waste towels so they do not create a fire hazard.

VII. ELECTRICAL SERVICE REQUIREMENTS

Your Model G1072 Edge Sander has a dual-voltage 110V/220V motor, which is pre-wired for 110V, single phase operation. If you decide to operate this Edge Sander at the higher voltage, it will become necessary to provide a 220/240 volt circuit for this machine.

A. CIRCUIT LOADING

Your Edge Sander draws 12 amps at 110/120V. This is not a large load; however, if the machine is operated on any circuit that is already close to its capacity, it might blow a fuse or trip a circuit breaker. If this happens, consider adding a dedicated circuit for your Edge Sander. On the other hand, if an unusual load does not exist and power failure still occurs, have the circuit inspected by a qualified electrician.

B. GROUNDING

This equipment must be grounded. This Edge Sander is supplied with a grounded power cord and plug. Please ensure that the Edge Sander remains properly wired and grounded from the machine frame to a known ground. Verify that any existing 110/120V outlet you intend to use is actually grounded. If it is not, it will be necessary to run a separate 14 AWG copper grounding wire from the outlet to a known ground. If adding a new circuit, please ensure that the circuit is grounded to the grounding terminal in your electric service panel.

C. GENERAL INFORMATION

Fusing: Your Edge Sander must be wired to 110/120V, and be fused at 15 amps. Fuses rated any lower will not adequately protect this motor. Grizzly warns that equipment returned to us showing evidence of being improperly fused or wired will be repaired or replaced totally at the customer's expense, *regardless of the current warranty status.*

Extension Cords: If used, extension cords must be rated Hard Service (grade S) or better. Conductor size must be 14 AWG for cords up to 50 feet in length. Your extension cord must also contain a ground wire and plug pin. Always repair or replace extension cords if they become damaged.

D. WORD OF CAUTION

In this section we have covered some basic electrical requirements for the safe operation of your Edge Sander. As with the safety rules in the preceding section, these requirements are not necessarily comprehensive. Further, you must be sure that your particular electrical configuration complies with state and local codes. The best ways to ensure compliance are to check with your local municipality or licensed electrician.

VIII. ASSEMBLY

Most of your G1072 Edge Sander has been assembled at the factory. The few remaining pieces should go together quickly and easily.

A. TOOLS REQUIRED

Only a few common tools are required to assemble your Edge Sander. Specifically, these are: a 6" adjustable wrench; 12 mm open-end wrench; straight screwdriver; Phillips screwdriver, and a 4mm Allen wrench.

B. TABLE

1. Mount the table to the Main Table Support with the two $\frac{5}{16}$ " x 18 x 1" Hex Head bolts and lockwashers provided.
2. Ensure that the table assembly slides up and down freely in the grooves of the Main Table Column. Lubricate the grooves with a light, general-purpose oil.
3. Secure the Table/Table Support assembly to the Main Table Column with the Table Support Lever. With a 4mm Allen wrench, just barely tighten the cap screw in the lever. Then, turn the lever until it is firmly locking the table assembly in place. It may take a few attempts to position the lever so that it is easily accessible when in the locked position. See Figure 1.

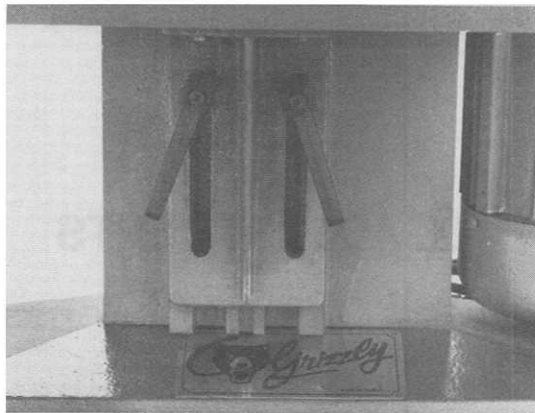


Figure 1

C. AUXILIARY TABLE

1. Make sure the auxiliary table is secure on the table support shaft. Tighten with the 8mm Allen wrench.
2. Slide the end of the shaft into the auxiliary table support plate.
3. Position the auxiliary table to the desired height and secure it with the lock knob.

D. DUST CHUTE

1. Fasten the dust chute to the mounting bracket located on top of the motor, using the two Phillips screws and washers provided.
2. Note that the top of the cover must be flipped up for belt replacement. It should always be tightly closed during sanding operations.

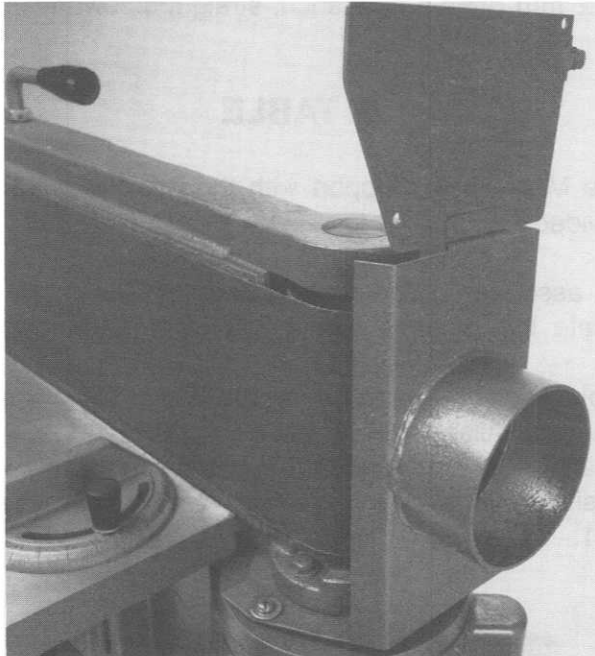


Figure 2

IX. ADJUSTMENTS

With the exception of belt tracking, all adjustments to your Edge Sander should be made with the power off *and* the machine unplugged.

A. BELT CHANGES

The sanding belt travels counter-clockwise at approximately 2300 feet per minute. To extend belt life, clean them frequently with crepe rubber cleaners such as Grizzly's G1511 or G1512 Abrasive Belt Cleaners. See current catalog for more information.

1. Unlock the quick-release lever by turning the lever 180° to the left or right. See Figure 3 on the following page.
2. Open the top of the dust chute by unfastening the locking mechanism.
3. Remove the old belt by lifting it straight up from the rollers.

4. Place the new belt over the rollers, centering it as closely as possible.
5. Close the dust chute cover and turn the quick-release lever 180° to put tension on the belt.

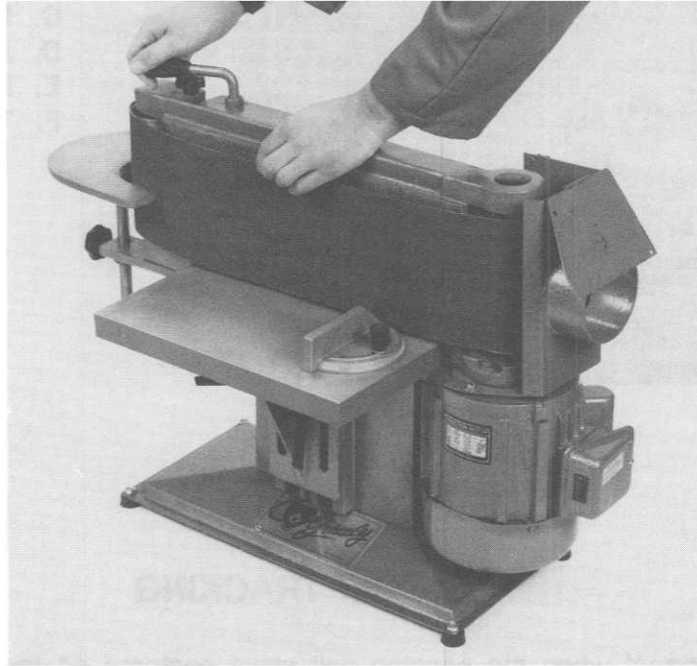
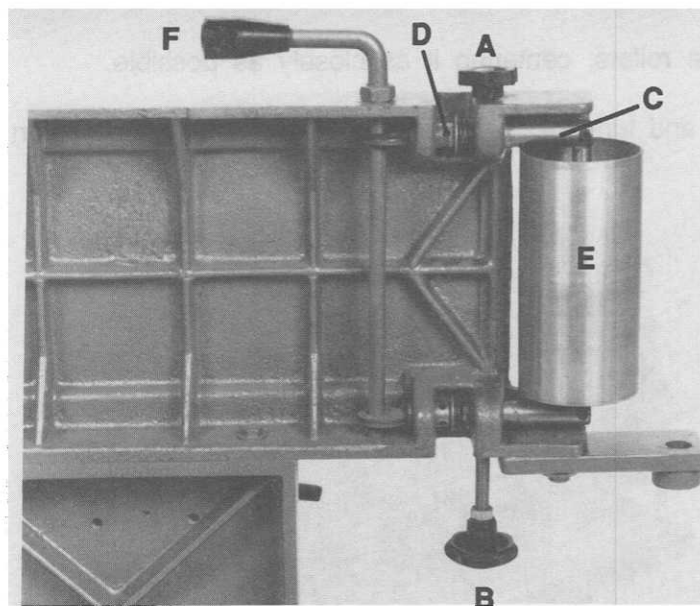


Figure 3

B. BELT TENSION

Proper belt tension is important for the optimal performance of your Edge Sander. You will sand squarer edges, prolong belt life and have truer tracking with proper belt tension.

1. Disconnect machine from power source.
2. Install sanding belt and ensure locking lever is applying tension.
3. Loosen lock knobs. See Figure 4 on the following page.
4. Using an Allen wrench or nail, loosen (or tighten) the roller adjustment bar(s) by turning the adjustment nut(s). Try to adjust the nuts so that the belt is under equal tension at all points around the rollers.
5. Test your adjustment by turning the machine on and off quickly. Proper tension is achieved when the belt does not slip or bind. Remember, excessive tightness will decrease roller bearing life. When you are satisfied with your adjustment, retighten the two lock knobs.



- A. Upper Adjusting Knob
- B. Lower Adjusting Knob
- C. Roller Adjustment Bar
- D. Adjustment Nut
- E. Roller
- F. Tension Lever

Figure 4

C. BELT TRACKING

Belt tracking is correct when the sanding belt stays centered on the two rollers, even under load. To test and adjust the tracking, turn the Edge Sander on, with a sanding belt in place and under tension. If the belt tracks upwards, turn the upper adjusting knob clockwise or counterclockwise. If the belt has a tendency to "walk" towards the base, adjust the lower tracking knob by turning it clockwise or counterclockwise. It may be necessary to fine-tune your tracking adjustment by adjusting both knobs simultaneously. See Figure 4 above.

X. SANDER SAFETY

Earlier in this manual we reviewed safety guidelines that apply to all power tools. This section will address safety rules specific to your Model G1072 Edge Sander.

1. Be aware of belt rotation direction when sanding.
2. Keep fingertips away from moving belt.
3. Never use excess force when sanding. Doing this greatly increases the chances of personal injury and motor overload.
4. Always feed the work against the direction of rotation.
5. Even if you have a reliable method of dust collection, use a dust mask or respirator when sanding, in addition to eye and hearing protection.
6. If you have any doubt as to the stability or integrity of the material to be sanded, **don't do it.**

7. Do not operate the sander if the body is damaged or if the belt is badly worn.
8. Habits—good and bad—are hard to break. Develop good habits and safety will become second nature to you.

XI. TEST RUN

Before you test your Edge Sander on some scraps, let's give it a quick inspection.

1. Are all fasteners, nuts and bolts tight?
2. Is the sanding belt properly tensioned?
3. Is the sanding belt tracking properly?
4. Are the tables positioned as close as possible to the sanding belt without contacting it?
5. Is the Edge Sander plugged in to a grounded outlet of the proper voltage?
Important: If you're not sure, please call the appropriate Service Department.

Miscellaneous

The G1072 Edge Sander requires a 6" x 48" sanding belt. Grizzly recommends a 100 grit (medium) belt for general purpose sanding, a 60 grit (coarse) belt for fast material removal, and a 150 grit (fine) belt for finish work. Refer to Grizzly's current catalog for more information.

Your Edge Sander's motor has shielded ball bearing housings which do not require any additional lubrication. The belt moves at approximately 2300 feet per minute in a counterclockwise direction.

XII. OPERATIONS

Please review all safety rules before attempting operation. The hints listed below are also worth considering:

- Always sand with the grain of the wood.
- Do not over-sand soft woods such as basswood or pine. This is alarmingly easy to do.
- Choose the correct belt grade for the job.
- The Edge Sander is not a dimensioning machine, it is a finishing machine.
- Keep the workpiece moving across the face of the belt to prevent grooves and ruts.

A. EDGE SANDING

To remove a large amount of material quickly from a large surface area:

1. Turn the sander on and allow the belt to reach full speed.
2. Place the workpiece on the table. Be sure to hold the work securely with both hands. Use the built-in miter gauge to ensure accurate edges.
3. Engage the workpiece with the sanding belt, gently at first, and increasing pressure as required. Always contact the belt with the full width of the material you are sanding to ensure a straight, right-angled edge.
4. If your workpiece is large, or unusually long, use the auxiliary fence for additional support.

B. CURVE SANDING

To sand curves, use the exposed (left) end of the belt in conjunction with the auxiliary table.

1. Adjust the table and auxiliary table to the desired height so that the workpiece may be properly supported.
2. Turn the sander on and allow the belt to reach full speed.
3. Place the workpiece on the auxiliary table. Holding the workpiece securely, sand against the direction of rotation. Move the workpiece slowly across the entire surface of the belt when possible, to avoid excessive loading of the belt.

XIII. CLOSURE

The following pages contain general specifications, a parts diagram, a parts directory and warranty and return information for your Model G1072 Edge Sander.

You are welcomed and encouraged to write or call the appropriate regional service department if you ever need parts or service assistance. Our service staff will be glad to help you. If you wish to comment on this manual, please write to our Bellingham, Washington location.

Again, thank you for your purchase. We sincerely appreciate your business and hope we have the opportunity to serve you again soon.

XIV. MACHINE DATA

GRIZZLY MODEL G1072 EDGE SANDER

Design Type Table Model

Overall Dimensions:

Table Size 7" x 13³/₄"
Height 22"
Overall Length 30"
Overall Width 12³/₈"
Shipping Weight 132 lbs.
Net Weight 121 lbs.
Belt Size 6" x 48"
Belt Speed 2300 fpm

Construction:

Body Cast Iron
Table Assembly Cast and reground Aluminum

Motor:

Type TEFC
Horsepower ³/₄ HP
Phase Type/Voltage Single Phase; 110/ 220V
Amps 12/6
Cycle/RPM 60 Hertz / 1720 RPM
Switch Illuminated On/Off
Power Transfer Direct Drive
Bearings Shielded & Permanently Lubricated Ball

Features:

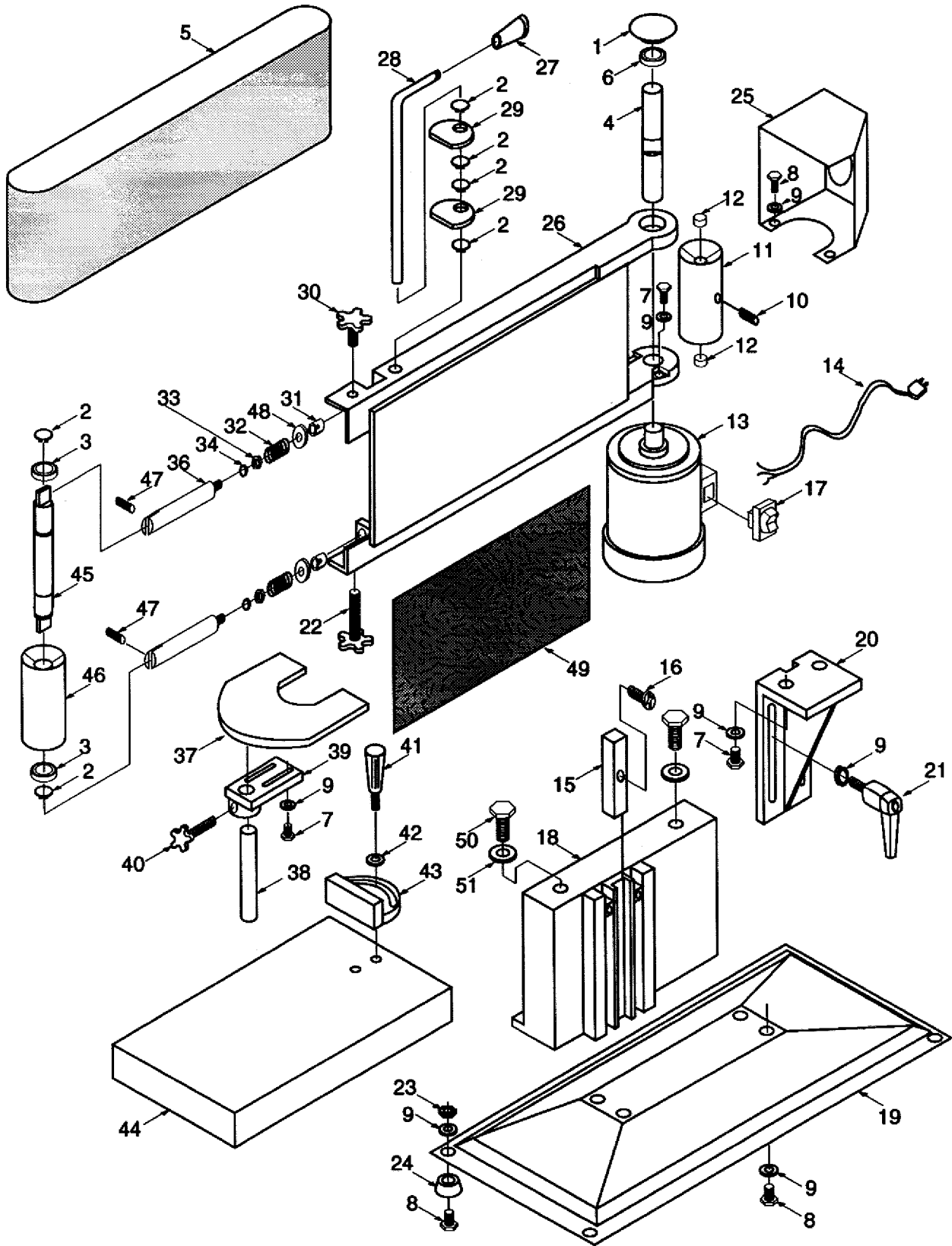
Adjustable Rollers 3" dia. x 6" length die-cast, machined aluminum
Vertical Table Movement 3"
Wear Surface Graphite-embedded cork 6³/₄" x 16³/₄"
Chip Chute 4" collar

Specifications, while accurate, are subject to change without notice.

XV. PARTS LIST

Ref. No.	Part No.	Description
1	P1072001	End Cap
2	PR03M	Retaining Ring 12 mm
3	P6201	Bearing
4	P1072004	Drive Roller Shaft
5	G1215	Sanding Belt 6" x 48"
6	P6201	Bearing
7	PB03	Hex Bolt $\frac{5}{16}$ " - 18 x 1"
8	PB09	Hex Bolt $\frac{5}{16}$ " - 18 x $\frac{1}{2}$ "
9	PW07	Flat Washer $\frac{5}{16}$ "
10	PSS18	Setscrew $\frac{5}{16}$ " - 18 x $\frac{3}{4}$ "
11	P1072011	Drive Roller
12	P1072012	Bushing
13	P1072013	Motor
14	P1072014	Power cord
15	P1072015	Key
16	PS01	Ph. Hd. Screw #10-24 x $\frac{1}{2}$ "
17	P1072017	Switch
18	P1072018	Main Table Column
19	P1072019	Base
20	P1072020	Main Table Support
21	P1072021	Table Support Lever
22	P1072022	Lower Adjustment Knob
23	PN02	Hex Nut $\frac{5}{16}$ " - 18
24	P1072024	Rubber Foot
25	P1072025	Dust Hood
26	P1072026	Platen Casting
27	P1072027	Lever Knob
28	P1072028	Belt Tension Lever
29	P1072029	Cam
30	P1072030	Upper Adjustment Knob
31	P1072031	Tension Adjustment Sleeve
32	P1072032	Spring
33	PN05	Hex Nut $\frac{1}{4}$ " - 20
34	PLW02	Lock Washer $\frac{1}{4}$ "
36	P1072036	Tension Adjustment Shaft
37	P1072037	Auxiliary Table
38	P1072038	Auxiliary Table Post
39	P1072039	Aux. Table Support Plate
40	P1072040	Locking Knob
41	P1072041	Miter Gauge Lock Knob
42	PW06	Washer $\frac{1}{4}$ "
43	P1072043	Miter Gauge
44	P1072044	Main Table
45	P1072045	Idler Roller Shaft
46	P1072046	Idler Roller
47	PSS24	Setscrew $\frac{3}{16}$ " - 32 x $\frac{3}{16}$ "
48	PW07	Flat Washer $\frac{5}{16}$ "
49	P1072049	Graphite Pad
50	PB03	Hex Bolt $\frac{5}{16}$ " - 18 x 1"
51	PW07	Flat Washer $\frac{5}{16}$ "

XVI. PARTS DIAGRAM



XVII. WARRANTY AND RETURNS

Limited Warranty

Grizzly Imports, Inc. (Grizzly) warrants every product it sells for a period of 90 days on all parts and one year on all electric motors to the original purchaser from the date of purchase. This warranty does not apply to defects due directly or indirectly to misuse, abuse, negligence, accidents, repairs or alterations or lack of maintenance. This is Grizzly's sole written warranty and any and all warranties that may be implied by law, including any merchantability or fitness, for any particular purpose, are hereby limited to the duration of this written warranty. We do not warrant or represent that the merchandise complies with the provisions of any law or acts unless the manufacturer so warrants. In no event shall Grizzly's liability under this warranty exceed the purchase price paid for the product and any legal actions brought against Grizzly shall be tried in the State of Washington, County of Whatcom.

We shall in no event be liable for death, injuries to persons or property or for incidental, contingent, special or consequential damages arising from the use of our products.

To take advantage of this warranty, the product or part must be returned to either our Bellingham or Williamsport warehouse, freight prepaid. Proof of purchase must accompany the merchandise. The manufacturers reserve the right to change specifications at any time as they constantly strive to achieve better quality equipment.

We make every effort to ensure that our products meet high quality and durability standards and we hope you never need to use this warranty.

FOLD ALONG THIS LINE

From:

PLACE
STAMP
HERE



GRIZZLY IMPORTS

P O BOX 2069

BELLINGHAM WA 98227-2069

FOLD ALONG THIS LINE

TAPE ALONG EDGES—PLEASE DO NOT STAPLE

WARRANTY CARD

NAME _____ PHONE NUMBER _____

STREET _____

CITY _____ STATE _____ ZIP _____

MODEL # _____ PURCHASED FROM GRIZZLY, BELLINGHAM, WA
OR WILLIAMSPORT, PA

INVOICE # _____

The following information is given on a voluntary basis. This information will be used for marketing purposes to help Grizzly develop better products. Your name will be included in our mailing list only. It will not be sold to other companies. Of course, all information is strictly confidential.

1. How did you find out about us?

Advertisement Friend Other _____
 Catalog Card deck

2. Do you think your machine represents good value? YES ___ NO ___

3. Would you allow us to use your name as a reference for Grizzly customers in your area? YES ___ NO ___
(Note: Your name will be used a maximum of three times.)

4. To which of the following publications do you subscribe? Check all that apply.

Fine Woodworking Popular Woodworking FDM Practical Homeowner
 American Woodworker Fine Homebuilding Wood & Wood Products Home Handyman
 Woodwork Workbench Old House Journal Shop Notes
 WOOD Woodsmith Journal of Light Construction Cabinetmaker
 Woodworker's Journal Woodshop News Wooden Boat Other _____

5. What is your annual household income?

\$20,000-\$30,000 \$60,001-\$70,000
 \$30,001-\$40,000 \$70,001-\$80,000
 \$40,001-\$50,000 \$80,001-\$90,000
 \$50,001-\$60,000 + \$90,000

6. To which age group do you belong?

20-30 41-50 61-70
 31-40 51-60 +70

7. Which of the following stationary woodworking machines do you own? Check all that apply.

Table Saw Jointer Lathe Scroll Saw
 Band Saw Planer Panel Saw Mortiser
 Radial Arm Saw Drill Press Air Compressor & tools Other
 Wide Belt Sander Shaper Dust Collector
 Drum Sander Power Feeder Vacuum Veneer Press

8. How many of the machines you checked in Question 7 are Grizzly machines? _____

9. Which of the following portable woodworking machines or power tools do you own? Check all that apply.

Circular Saw Saber Saw Miter Saw Biscuit Joiner Other: _____
 Drill/Driver Recipro Saw Belt Sander Orbital Sander
 R-O Sander Router Planer Detail Sander

10. Which of these machines or other tools would you like Grizzly to carry? Check all that apply.

Radial Arm Saw Biscuit Joiner Combination Planer/Jointer Other: _____
 Panel Saw Pin Router 12" Table Saw
 Vertical Spindle Sander Mortiser 24" Planer

11. Of all the mail order woodworking companies you have purchased from, how do you rate Grizzly in terms of overall customer satisfaction?

The best Above average Average
 Below average The worst

12. Comments: _____

From:

PLACE
STAMP
HERE



GRIZZLY IMPORTS INC

P O BOX 2069

BELLINGHAM WA 98227-2069

From:

PLACE
STAMP
HERE



GRIZZLY IMPORTS INC

P O BOX 2069

BELLINGHAM WA 98227-2069

Parts and Service Information

Grizzly stands behind its products with a full parts inventory. These parts are available for purchase by Grizzly machine owners regardless of whether you are the original owner or a subsequent owner. If you are the original owner, please fill out the warranty information on the warranty card, remove the card from this manual and send it back to us within 10 days of product delivery. We appreciate any comments or suggestions and use them to better our products and service.

If you are not the original owner, please fill out one of the cards below, remove the card from the manual and send it back to us. By registering with us, you will have the same access to parts and service as the original owner.

If you need service or help with this machine, please call or write to us at the appropriate regional service location listed on page 1 of this manual.

CHANGE OF OWNERSHIP

Original Owner

Machine name & model no. _____

Name _____ Phone Number _____

Street _____

City _____

State _____ ZIP _____ Date purchased _____

New Owner

Name _____ Phone Number _____

Street _____

City _____

State _____ ZIP _____ Date purchased _____

CHANGE OF OWNERSHIP

Original Owner

Machine name & model no. _____

Name _____ Phone Number _____

Street _____

City _____

State _____ ZIP _____ Date purchased _____

New Owner

Name _____ Phone Number _____

Street _____

City _____

State _____ ZIP _____ Date purchased _____