



Pro-Turn 100 Zero-Turn Mowers

Parts Manual



Models

- 991079 – Pro-Turn 148
(SN 021000 +)
- 991080 – Pro-Turn 152
(SN 021000 +)
- 991081 – Pro-Turn 160
(SN 021000 +)
- 991095 – Pro-Turn 148
(SN 021000 +)
- 991096 – Pro-Turn 152
(SN 021000 +)
- 991097 – Pro-Turn 160
(SN 021000 +)
- 991102 – Pro-Turn 148 CARB
(SN 021000 +)
- 991103 – Pro-Turn 152 CARB
(SN 021000 +)
- 991104 – Pro-Turn 160 CARB
(SN 021000 +)

	<p>The use of any gasoline exceeding 10% ethanol (E10) or 10% MTBE will void the product warranty. L'utilisation d'une essence contenant plus de 10% d'éthanol (E10) ou de 10% de MTBE annulent la garantie. El uso de cualquier otro tipo de gasolina con un porcentaje superior al 10% de etanol (E10) o al 10% de MTBE invalidará la garantía del producto.</p>
--	--



EN ENGLISH

THE MANUAL

Before you operate your unit, carefully and completely read manuals supplied with the unit. The contents will provide you with an understanding of safety instructions and controls during normal operation and maintenance.

For your safety and the safety of others always read, understand, and follow all DANGER, WARNING, and CAUTION messages found in manuals and on safety decals.

Hardware descriptions are given in decimals.

Decimals to Fractions			
.063	1/16	.563	9/16
.125	1/8	.625	5/8
.188	3/16	.688	11/16
.250	1/4	.750	3/4
.313	5/16	.813	13/16
.375	3/8	.875	7/8
.438	7/16	.938	15/16
.500	1/2	1.00	1

SERVICE AND REPLACEMENT PARTS

When ordering replacement parts or making service inquiries, know the Model and Serial numbers of your unit and engine.

Numbers are located on the product registration card in the unit literature package. They are printed on a serial number label, located on the frame of your unit.

• Record Unit Model and Serial numbers here:

• Record Engine Model and Serial numbers here:

UNAUTHORIZED REPLACEMENT PARTS

Use only Gravelly replacement parts. The replacement of any part on this vehicle with anything other than a Gravelly authorized replacement part may adversely affect the performance, durability, or safety of this unit and may void the warranty. Gravelly disclaims liability for any claims or damages, whether warranty, property damage, personal injury or death arising out of the use of unauthorized replacement parts.

PRODUCT REGISTRATION

The Gravelly dealer must register the product at the time of purchase. Registering the product will help the company process warranty claims or contact you with the latest service information. All claims meeting requirements during the limited warranty period will be honored, whether or not the product registration card is returned. Keep a proof of purchase if you do not register your unit.

Customer Note: If Dealer does not register your product, please fill out, sign and return the product registration card to Gravelly or go to www.gravelly.com.

YOUR SATISFACTION IS IMPORTANT

Questions? Please follow these helpful steps:

1. Refer to the manuals supplied with your unit.
They will guide you through safe and proper operation and maintenance.
They contain specifications on your unit.
If your questions are not answered in these manuals, go to step number two.
2. Contact Your Dealer.
Our dealers will be happy to supply any service or advice required to keep your unit operating at peak efficiency.
A factory trained staff is available to support your equipment needs. They stock genuine Gravelly parts and lubricants manufactured with the same precision and skill as the original.
If your questions are not resolved by the support staff, ask for the manager or owner.
When contacting your Dealer supply your model and serial numbers.

TO SPEED PARTS ORDERING:

1. Know the model and serial numbers of your unit.
2. Know the part number required.
3. Know the quantity required.
4. Know the part description.

MODELS

Domestic

Model 991079 (Pro-Turn 148)

Kawasaki with 48" Mower Deck
Serial No. 021000 and up

Model 991080 (Pro-Turn 152)

Kawasaki with 52" Mower Deck
Serial No. 021000 and up

Model 991081 (Pro-Turn 160)

Kawasaki with 60" Mower Deck
Serial No. 021000 and up

Model 991095 (Pro-Turn 148)

Kohler EFI with 48" Mower Deck
Serial No. 021000 and up

Model 991096 (Pro-Turn 152)

Kohler EFI with 52" Mower Deck
Serial No. 021000 and up

Model 991097 (Pro-Turn 160)

Kohler EFI with 60" Mower Deck
Serial No. 021000 and up

Model 991102 (Pro-Turn 148 CARB)

Kawasaki with 48" Mower Deck
Serial No. 021000 and up

Model 991103 (Pro-Turn 152 CARB)

Kawasaki with 52" Mower Deck
Serial No. 021000 and up

Model 991104 (Pro-Turn 160 CARB)

Kawasaki with 60" Mower Deck
Serial No. 021000 and up

TABLE OF CONTENTS

DECALS

Decals – Safety	4
Decals – Style	5

MAIN FRAME

Frame	6
Seat Assembly	10
Brake Assembly	12
Tire Assembly	14

POWER UNIT

Fuel Tanks	16
Hydraulic Drive	20
Transmission	22
Transmission – Right Hand	24
Transmission – Left Hand	28
Engine	32

ELECTRICAL

Controls	34
Electrical	36
Continuity Diagram	38
Wiring Diagram	39

MOWER DECKS

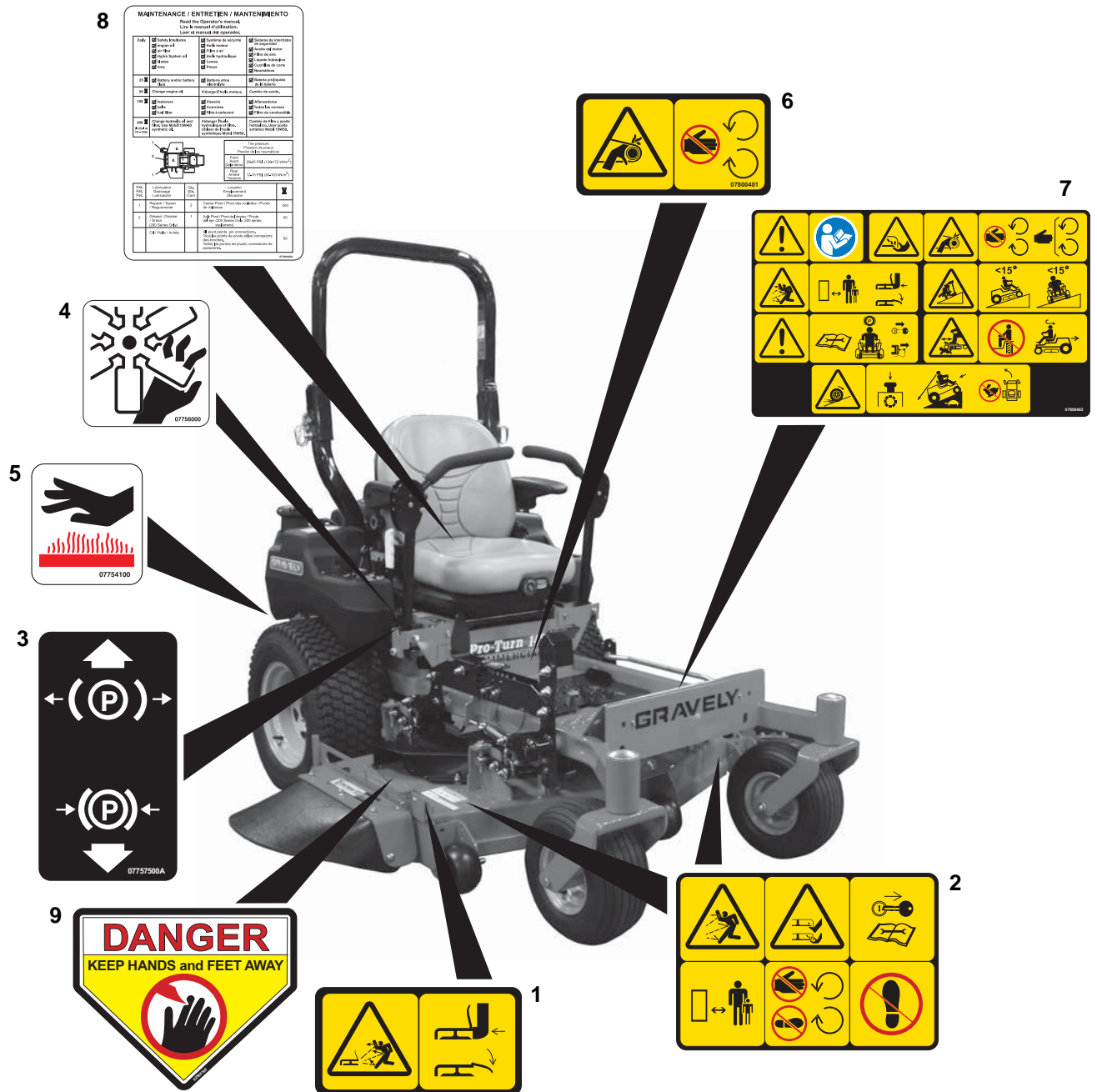
Mechanical Deck Lift	40
Belts, Spindles, Idlers & Blades, 48" & 52" Decks	42
Belts, Spindles, Idlers & Blades, 60" Deck	44
Deck & Mounting Arms	46
Anti-Scalp Rollers	48
Discharge Chute & Belt Covers	50
Discharge Chute Storage	53

ROPS

ROPS	54
----------------	----

DECALS – SAFETY

Model 991079, 080, 081, 095, 096, 097, 102, 103, 104

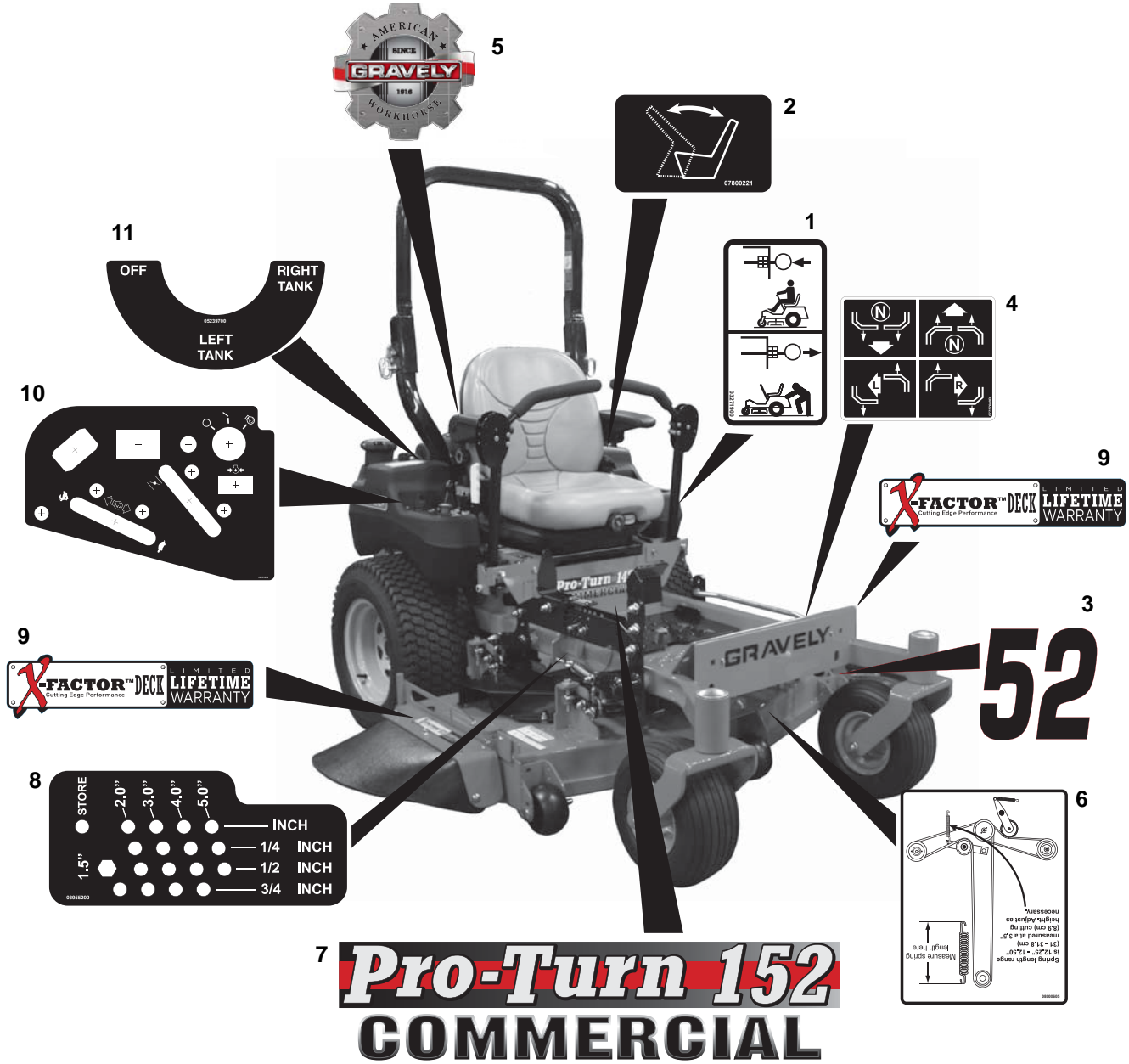


Item	Part No.	Qty.	Description
1	07800402	1	Decal, Safety Deck Guarding
2	07800340	2	Decal, Safety Mower Deck
3	07757500	1	Decal, Parking Brake Lever
4	07756000	2	Decal, Danger Fan
5	07754100	2	Decal, Hot Surface
6	07800401	1	Decal, Safety Guarding
7	07800403	1	Decal, Main Safety Commercial
8	07700005	1	Decal, Maintenance Instructions
9	02988100	1	Decal, Danger

PE105_G_safety_decals

DECALS – STYLE

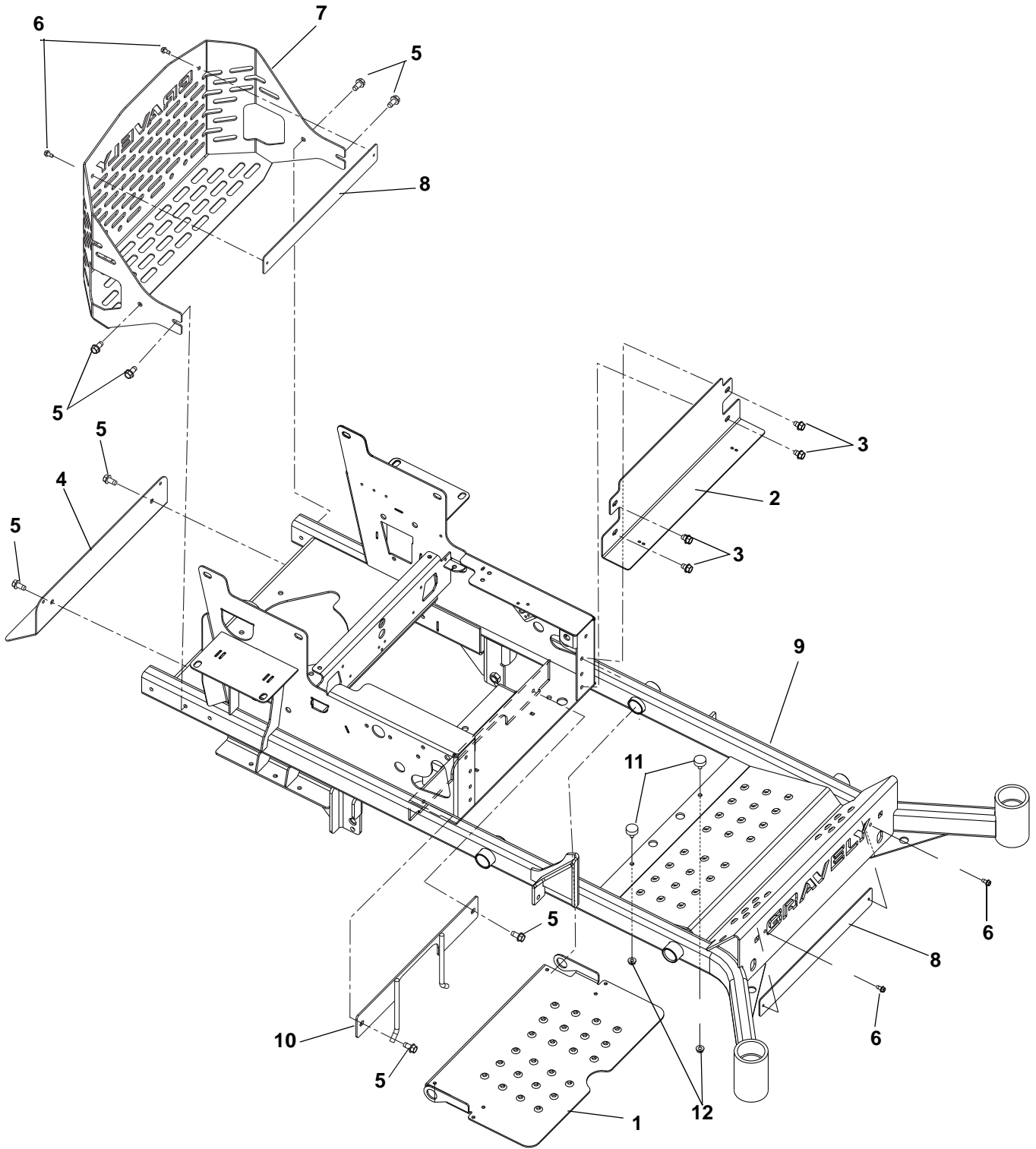
Model 991079, 080, 081, 095, 096, 097, 102, 103, 104



Item	Part No.	Qty.	Description
1	03271900	2	Decal, Transmission Disconnect
2	07800221	1	Decal, Seat Release
3	03891000	1	Decal, 48 (991079, 095, 102)
	07800026	1	Decal, 52 (991080, 096, 103)
	03818400	1	Decal, 60 (991081, 097, 104)
4	07757600	1	Decal, Instructional-Steering
5	08000526	1	Decal, Gravely Heritage, Large
6	03875000	1	Decal, Belt Routing (991079, 080, 095, 096, 102, 103)
	08000605	1	Decal, Belt Routing (991081, 097, 104)
7	04014000	1	Decal, Pro-Turn 148 (991079, 095, 102)
	04014100	1	Decal, Pro-Turn 152 (991080, 096, 103)
	04014200	1	Decal, Pro-Turn 160 (991081, 097, 104)
8	03955200	1	Decal, Height of Cut
9	05366200	2	Decal, X-Factor Deck
10	04039400	1	Decal, Control Panel (991079, 080, 081, 102, 103, 104)
	04422600	1	Decal, Control Panel (991095, 096, 097)
11	05239700	1	Decal, Fuel Valve

FRAME

Model 991079, 080, 081, 095, 096, 097, 102, 103, 104 (SN 020000 – 021999)



PE001_G_frame

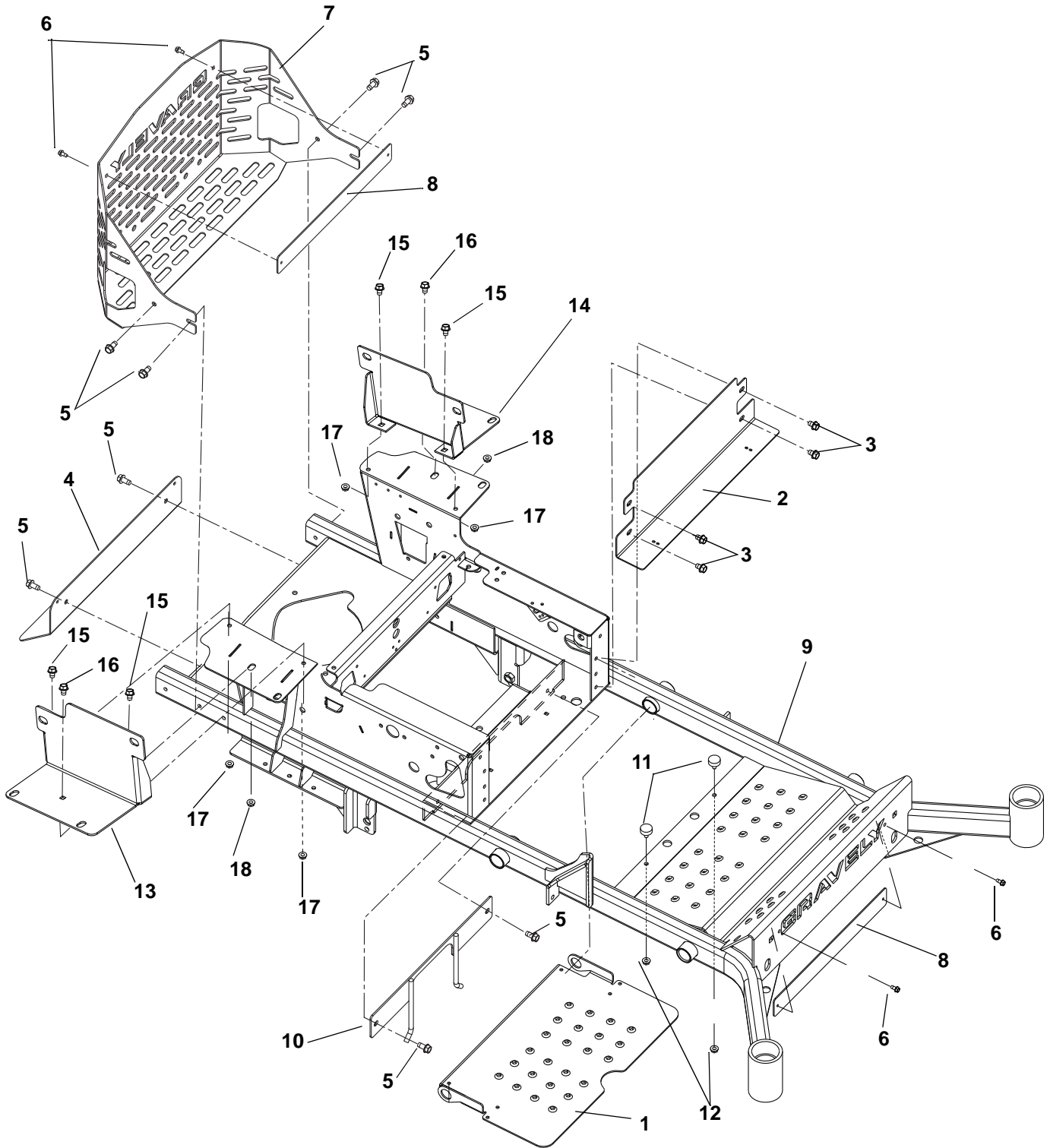
FRAME

Model 991079, 080, 081, 095, 096, 097, 102, 103, 104 (SN 020000 – 021999)

Item	Part No.	Qty	Description
1	04243851	1	Foot Plate
2	04243953	1	Kick Plate
3	07412900	4	Screw, Tapping .38-16 x .50 Hex Washer Head Thread Rolling
4	03948151	1	Muffler Heat Shield
5	07415400	8	Screw, Tapping .38-16 x .75 Hex Washer Head
6	07400034	4	Screw, Tapping .25-20 x .50 Hex Washer Head
7	03995253	1	Pro-Turn 100 Bumper
8	03995751	2	Bumper Plate
9	04243253	1	Pro-Turn 100 60" Main Frame Weldment (991081, 097, 104)
	04243153	1	Pro-Turn 100 48" – 52" Main Frame Weldment (991079, 080, 095, 096, 102, 103)
10	04053651	1	PTO Belt Finger Weldment
11	07533600	2	Bumper, Rubber
12	06530400	2	Nut, Spin Lock Flange .312-18

FRAME

Model 991079, 080, 081, 095, 096, 097, 102, 103, 104 (SN 022000 +)



PE001_G_frame

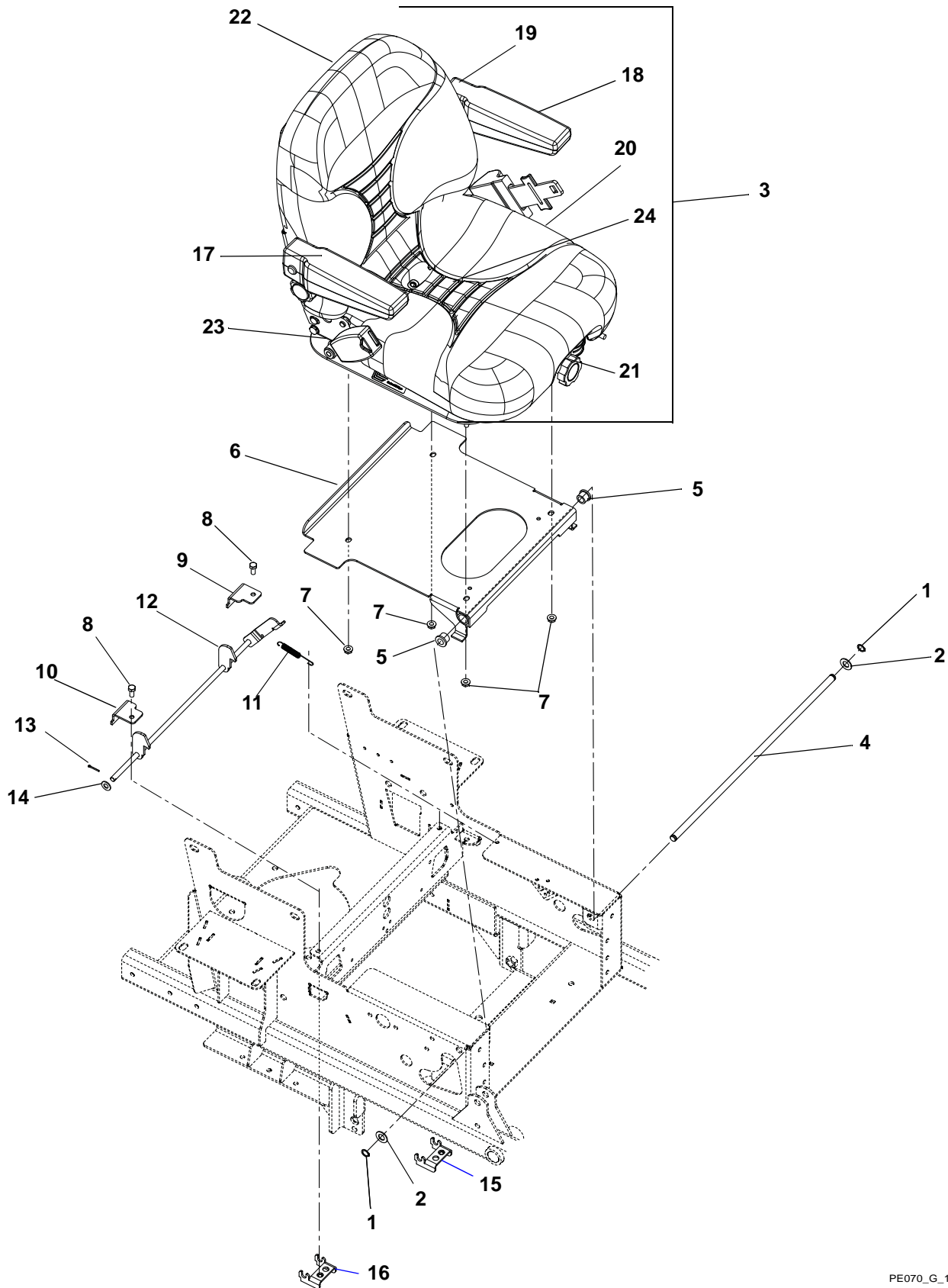
FRAME

Model 991079, 080, 081, 095, 096, 097, 102, 103, 104 (SN 022000 +)

Item	Part No.	Qty	Description
1	04243851	1	Foot Plate
2	04243953	1	Kick Plate
3	07412900	4	Screw, Tapping .38-16 x .50 Hex Washer Head Thread Rolling
4	03948151	1	Muffler Heat Shield
5	07415400	8	Screw, Tapping .38-16 x .75 Hex Washer Head
6	07400034	4	Screw, Tapping .25-20 x .50 Hex Washer Head
7	03995253	1	Pro-Turn 100 Bumper
8	03995751	2	Bumper Plate
9	04517353	1	Pro-Turn 100 60" Main Frame Weldment (991081, 097, 104)
	04517253	1	Pro-Turn 100 48" – 52" Main Frame Weldment (991079, 080, 095, 096, 102, 103)
10	04053651	1	PTO Belt Finger Weldment
11	07533600	2	Bumper, Rubber
12	06530400	2	Nut, Spin Lock Flange .312-18
13	04517453	1	Bracket, Tank Mount Left Hand
14	04517553	1	Bracket, Tank Mount Right Hand
15	06212000	4	Bolt, Round Head Square Neck .38-16 x 1.00 Grade 5
16	06215700	2	Bolt, Round Head Square Neck .31-18 x .75 Grade 5
17	06545500	4	Nut, Nyloc Flange .38-16
18	06545400	2	Nut, Nyloc Flange .31-18

SEAT ASSEMBLY

Model 991079, 080, 081, 095, 096, 097, 102, 103, 104



PE070_G_100i_seat

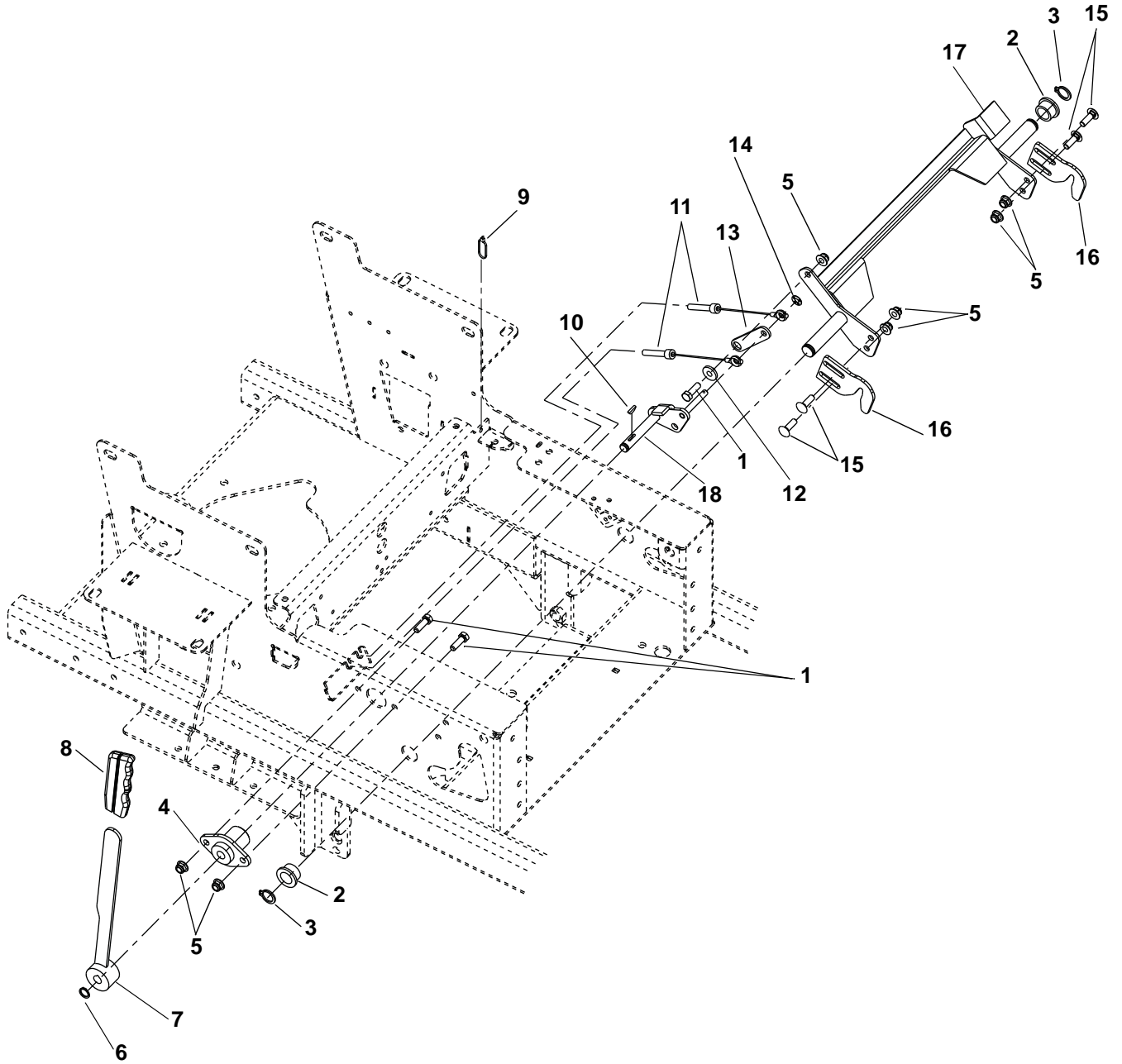
SEAT ASSEMBLY

Model 991079, 080, 081, 095, 096, 097, 102, 103, 104

Item	Part No.	Qty	Description
1	05717100	2	Ring, Retaining External .500 x .050
2	06425300	2	Washer, Flat Steel .531 x 1.00 x .063
3	04052900	1	Seat, Suspension – with Belt, Light Gray
4	03837800	1	Shaft, 100l Seat Pivot
5	05500901	2	Bushing, Flange .516 x .750 x .625 x .937
6	03933251	1	Seat Plate Weldment
7	06545400	4	Nut, Locking Top Flange .31-18
8	05947000	2	Bolt, Hex .31-18 x .75
9	03918551	1	Pro-Turn 100 Left Hand Top Seat Latch Mount
10	03917951	1	Pro-Turn 100 Right Hand Top Seat Latch Mount
11	08321100	1	Spring, Tension .043 x .44 x 3.31
12	03917751	1	Pro-Turn 100 Seat Latch Weldment
13	06706900	1	Pin, Center .09 x .75 Extended Prong Square Cut
14	06436200	1	Washer, Flat Steel .406 x .812 x .065
15	03930451	1	Pro-Turn 100 Seat Latch Mount Weldment Right Hand
16	03930551	1	Pro-Turn 100 Seat Latch Mount Weldment Left Hand
17	59210400	AR	Kit, Armrest Assembly Right Hand
18	59210500	AR	Kit, Armrest Assembly Left Hand
19	59208800	AR	Kit, Back Cushion, Light Grey
20	59208900	AR	Kit, Seat Cushion, Light Grey
21	59208000	AR	Kit, Seat Knobs
22	59208100	AR	Kit, Seat Back
23	59207900	AR	Kit, Seat Slides
24	59207800	AR	Kit, Seat Spring and Saddle

BRAKE ASSEMBLY

Model 991079, 080, 081, 095, 096, 097, 102, 103, 104



PE002_G_brakes

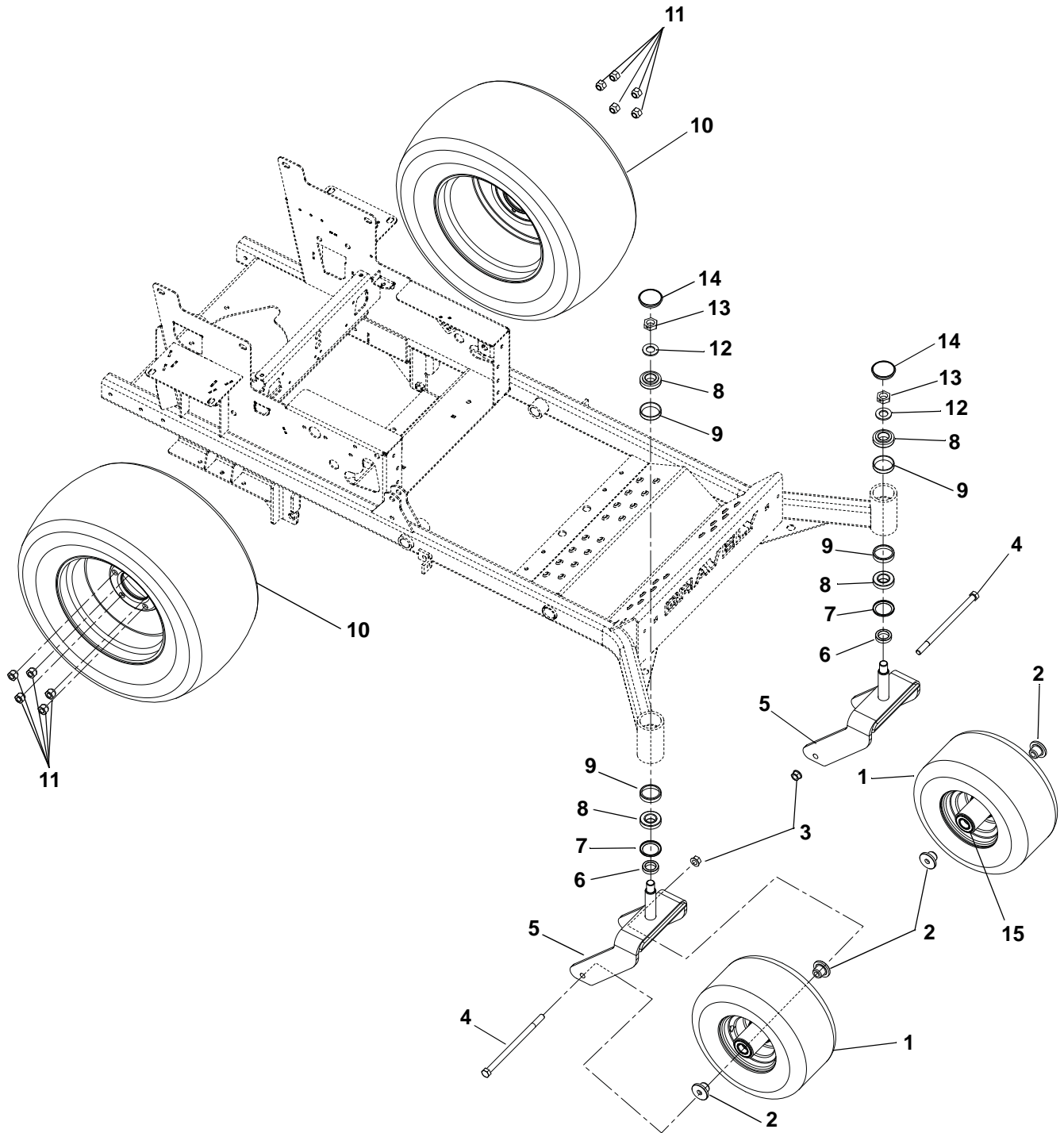
BRAKE ASSEMBLY

Model 991079, 080, 081, 095, 096, 097, 102, 103, 104

Item	Part No.	Qty	Description
1	05946900	3	Bolt, Hex .31-18 x 1.00
2	05503900	2	Bushing, Flange .750 x 1.000 x .625 x 1.250
3	05714600	2	Ring, Retaining External .689 x .077
4	01522000	1	Bushing, Flanged
5	06545400	7	Nut, Nyloc Flange .31-18
6	05717100	1	Ring, Retaining External .500 x .050
7	03795900	1	Weldment, Parking Brake Arm
8	03826900	1	Grip, Parking Brake
9	07517300	1	Cable Tie
10	06608400	1	Key, Woodruff .13 x .63 HRD #5
11	06900318	2	Cable, Brake Actuating
12	01305900	1	Bushing, Flange .325 x .499 x .26 x .88
13	03780900	1	Plate, Neutral Interlock
14	06514900	1	Nut, Push .312
15	06216100	4	Bolt, Round Head Square Neck .31-18 x 1.00
16	03861451	2	Neutral Lock Latch
17	03878700	1	Weldment, 100I Neutral Lock
18	03251100	1	Weldment, Park Brake Arm

TIRE ASSEMBLY

Model 991079, 080, 081, 095, 096, 097, 102, 103, 104



PE060_G_tires

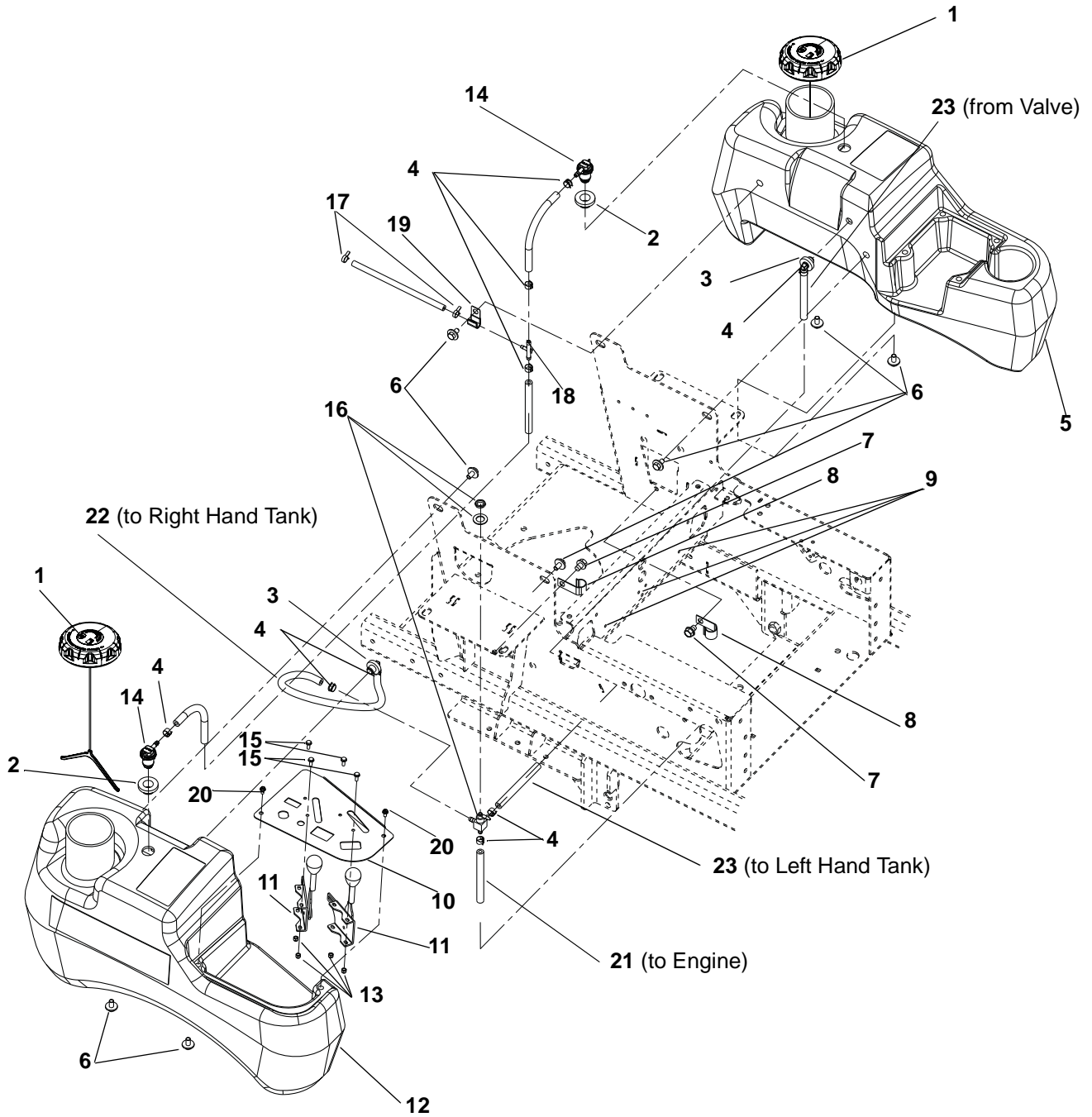
TIRE ASSEMBLY

Model 991079, 080, 081, 095, 096, 097, 102, 103, 104

Item	Part No.	Qty	Description
1	07100903	2	Tire/Wheel Assembly, 13 x 6.50-6
	07100914	AR	Tire, 13 x 6.50-6 Smooth
2	00675300	4	Spacer, Front Wheel
3	06500010	2	Nut, Nyloc Flange .50-13
4	05961200	2	Bolt, Hex .50-13 x 9.00
5	03924453	2	Fork
6	03760300	2	Spacer 1.258 x 1.75 x .550
7	05600432	2	Seal, Oil 1.75 x 2.332 x .312
8	05404700	4	Bearing, Cone 1.25 x .66
9	05404600	4	Bearing, Cup 2.328 x .465
10	07100810	2	Tire/Wheel Assembly, 23 x 10.50-12
	07100210	AR	Tire, 23 x 10.00-12
11	06517600	10	Nut, Wheel .50-20 13/16 Across Flats, Automotive Type
12	06439800	2	Washer, Flat Steel .812 x 2.00 x .148
13	06536900	2	Nut, Jam Center Lock .75-16
14	03925900	2	Cap, Dust
15	05435700	AR	Bearing, 25 mm ID x 52 mm OD x 15 mm

FUEL TANKS

Model 991079, 080, 081, 095, 096, 097



G_fuel tanks_serial_2500_up

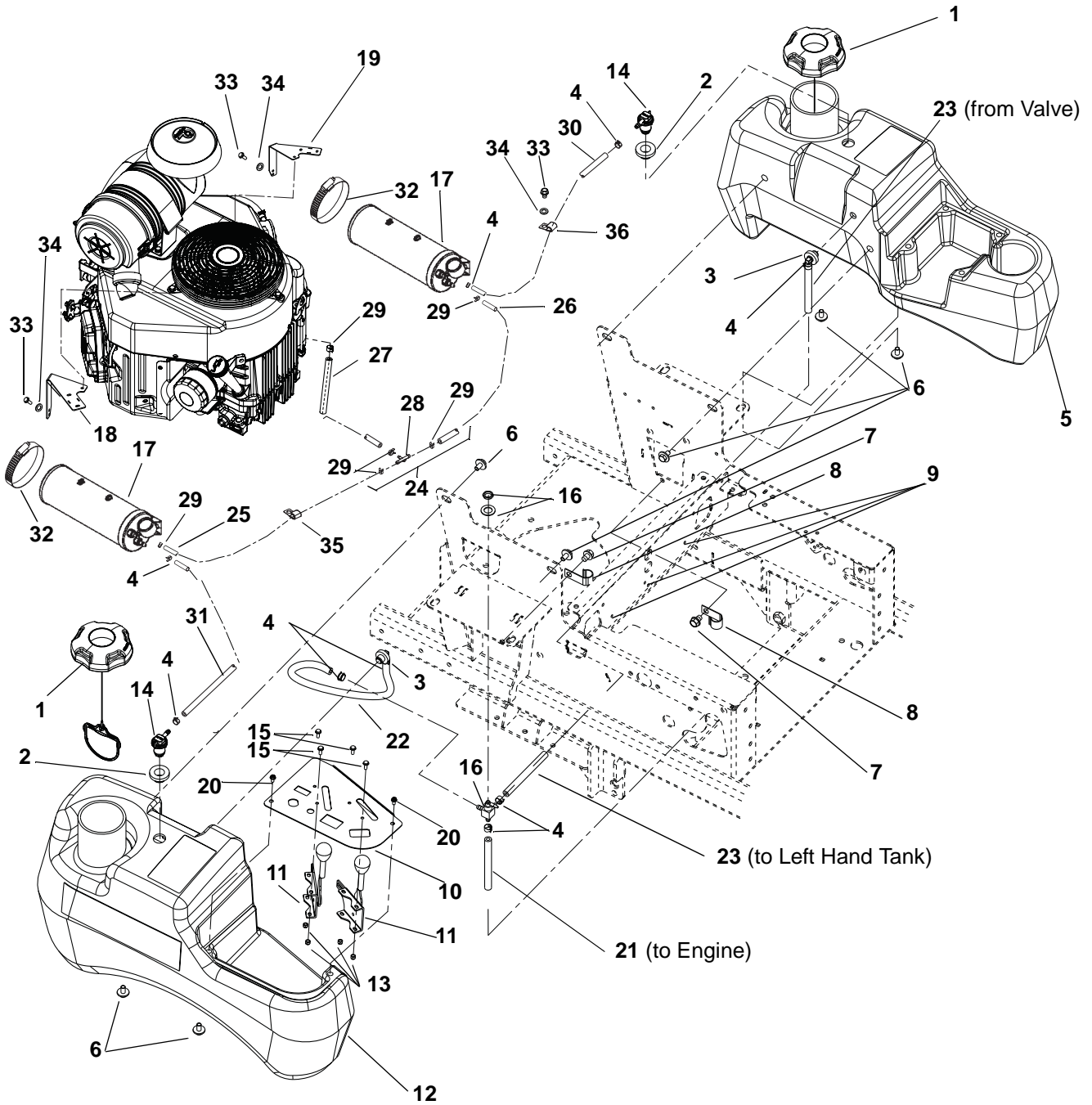
FUEL TANKS

Model 991079, 080, 081, 095, 096, 097

Item	Part No.	Qty	Description
1	04558000	2	Cap, Fuel Vent-in Autolock
2	04082700	2	Grommet, Remote Vent Nitrile
3	03900300	2	Assembly, Medium Tank Fuel Pick-up
4	03278800	9	Clamp, Fuel Line
5	04340700	1	Tank, Left Hand Medium Gravely Fuel
6	07000018	8	Bolt, SEMS .31-18 x .62
7	07412900	2	Screw, Tapping Hex Washer Head Thread Rolling .38-16 x .50
8	06916000	2	J-Clamp
9	07517300	3	Cable Tie
10	04039151	1	PT100 Control Panel, Black
11	06900417	2	Cable, PT100 Throttle Control
12	04340600	1	Tank, RH Medium Gravely Fuel
13	06536000	4	Nut, Locking, Nylon 10-24 w/Insert
14	04068910	2	Valve, Combination
15	06116700	4	Screw, Machine Hex Washer Head 10-24 x .50
16	09258200	1	Valve, Fuel
17	04097700	2	Clamp, Hose, Spring .188
18	04306900	1	Tee, 1/4HS Run x 3/16HS Branch
19	06909400	1	J-Clamp
20	06100211	2	Screw, Machine HWH Stainless 10-24 x .38
21	03278100	40"	Hose, .25 Low-Perm Bulk Gas
22	03278100	18"	Hose, .25 Low-Perm Bulk Gas
23	03278100	40"	Hose, .25 Low-Perm Bulk Gas

FUEL TANKS

Model 991102, 103, 104



G_fuel tanks_serial_2500_up

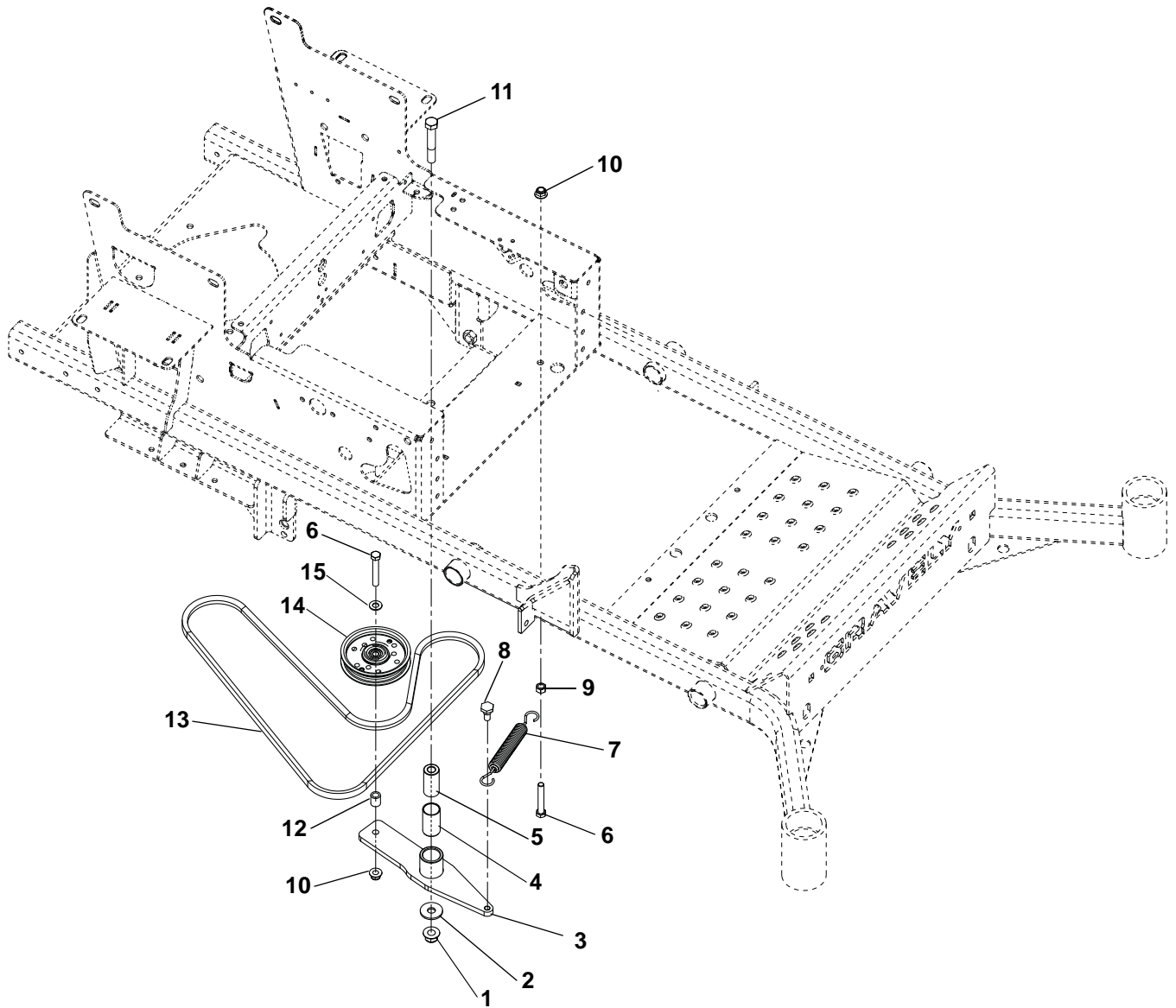
FUEL TANKS

Model 991102, 103, 104

Item	Part No.	Qty	Description
1	04558100	2	Cap, Fuel Non-Vent Autolock
2	04082700	2	Grommet, Remote Vent Nitrile
3	03900300	2	Assembly, Medium Tank Fuel Pick-up
4	03278800	9	Clamp, Fuel Line
5	04340700	1	Tank, Left Hand Medium Gravely Fuel
6	07000018	8	Bolt, SEMS .31-18 x .62
7	07412900	2	Screw, Tapping Hex Washer Head Thread Rolling .38-16 x .50
8	06916000	2	J-Clamp
9	07517300	3	Cable Tie
10	04039151	1	PT100 Control Panel, Black
11	06900417	2	Cable, PT100 Throttle Control
12	04340600	1	Tank, RH Medium Gravely Fuel
13	06536000	4	Nut, Locking, Nylon 10-24 w/Insert
14	04068910	2	Valve, Combination
15	06116700	4	Screw, Machine Hex Washer Head 10-24 x .50
16	09258200	1	Valve, Fuel
17	04548100	2	Canister, Carbon 400 cc
18	04548351	1	Bracket, Mount PT100 Carbon Canister Right Hand
19	04548451	1	Bracket, Mount PT100 Carbon Canister Left Hand
20	06100211	2	Screw, Machine HWH Stainless 10-24 x .38
21	03278100	40"	Hose, .25 Low-Perm Bulk Gas (to Engine)
22	03278100	18"	Hose, .25 Low-Perm Bulk Gas (to Right Hand Tank)
23	03278100	40"	Hose, .25 Low-Perm Bulk Gas (to Left Hand Tank)
24	04548200	1	Assembly, Fuel Valve PT100 CARB (includes items 25 – 29)
25	03375900	12"	Hose, .188 Low-Perm Bulk Gas
26	03375900	4"	Hose, .188 Low-Perm Bulk Gas
27	03375900	23.5"	Hose, .188 Low-Perm Bulk Gas
28	04548200	1	Assembly, Fuel Line PT100 (CARB)
29	04097700	6	Clamp, Hose Spring .188
30	03278100	21.5"	Hose, .25 Low-Perm Bulk Gas
31	03278100	25.5"	Hose, .25 Low-Perm Bulk Gas
32	06940200	2	Clamp, Hose Worm 2.3/3/2 SS #44
33	05973300	5	Bolt, Hex M8-1.25 x 20
34	06308600	5	Washer, Lock .31 x .078 Reg
35	06908200	1	Clamp, Cushioned Steel
36	06900036	1	Clamp, Cushioned Steel .75

HYDRAULIC DRIVE

Model 991079, 080, 081, 095, 096, 097, 102, 103, 104



PE035_G_hydrodrive

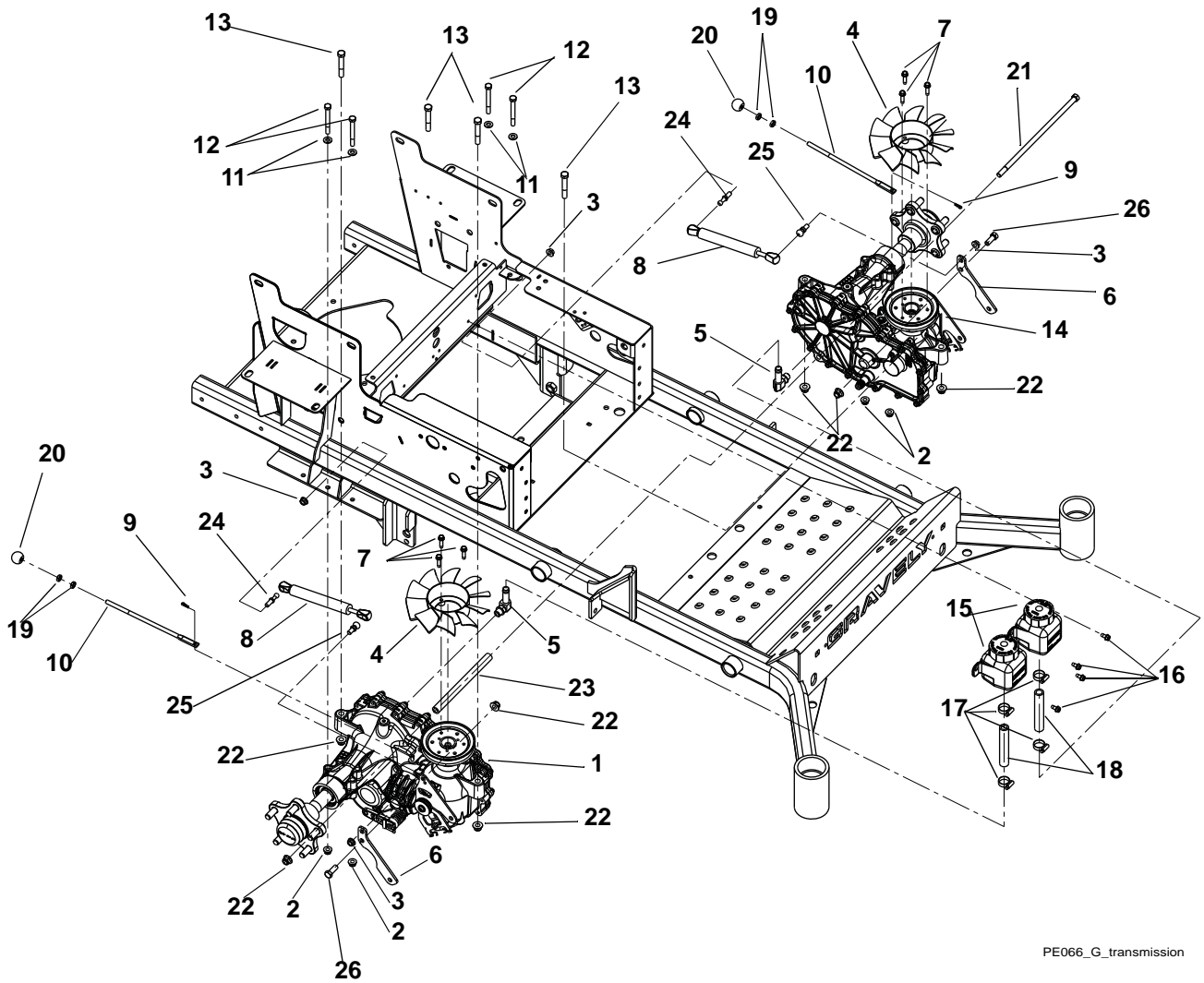
HYDRAULIC DRIVE

Model 991079, 080, 081, 095, 096, 097, 102, 103, 104

Item	Part No.	Qty	Description
1	06500010	1	Nut, Nyloc Flange .50-13
2	06436400	1	Washer, Flat Steel .511 x 1.441 x .125
3	02988651	1	Weldment, Hydro Drive Idler Arm
4	05500123	1	Bushing, 1.00 x 1.125 x 1.936
5	01581700	1	Bushing, Spacer .505/.500 x .999/.996 x 2.05/2.03 Promaster
6	05958400	2	Bolt, Hex .38-16 x 2.50
7	08300507	1	Spring, Extension
8	07000034	1	Bolt, Shoulder EP .38-16 x .30 Hex
9	06529400	1	Nut, Hex .38-16
10	06545500	2	Nut, Nyloc Flange .38-16
11	05960000	1	Bolt, Hex .50-13 x 3.25
12	05525700	1	Bushing, Sleeve .407 x .625 x .750
13	07226400	1	Belt, A 69.26 Raw Cogged
14	07312500	1	Idler, Flat 4.00 x .38
15	06436200	1	Washer, Flat Steel .406 x .812 x .065

TRANSMISSION

Model 991079, 080, 081, 095, 096, 097, 102, 103, 104



PE066_G_transmission

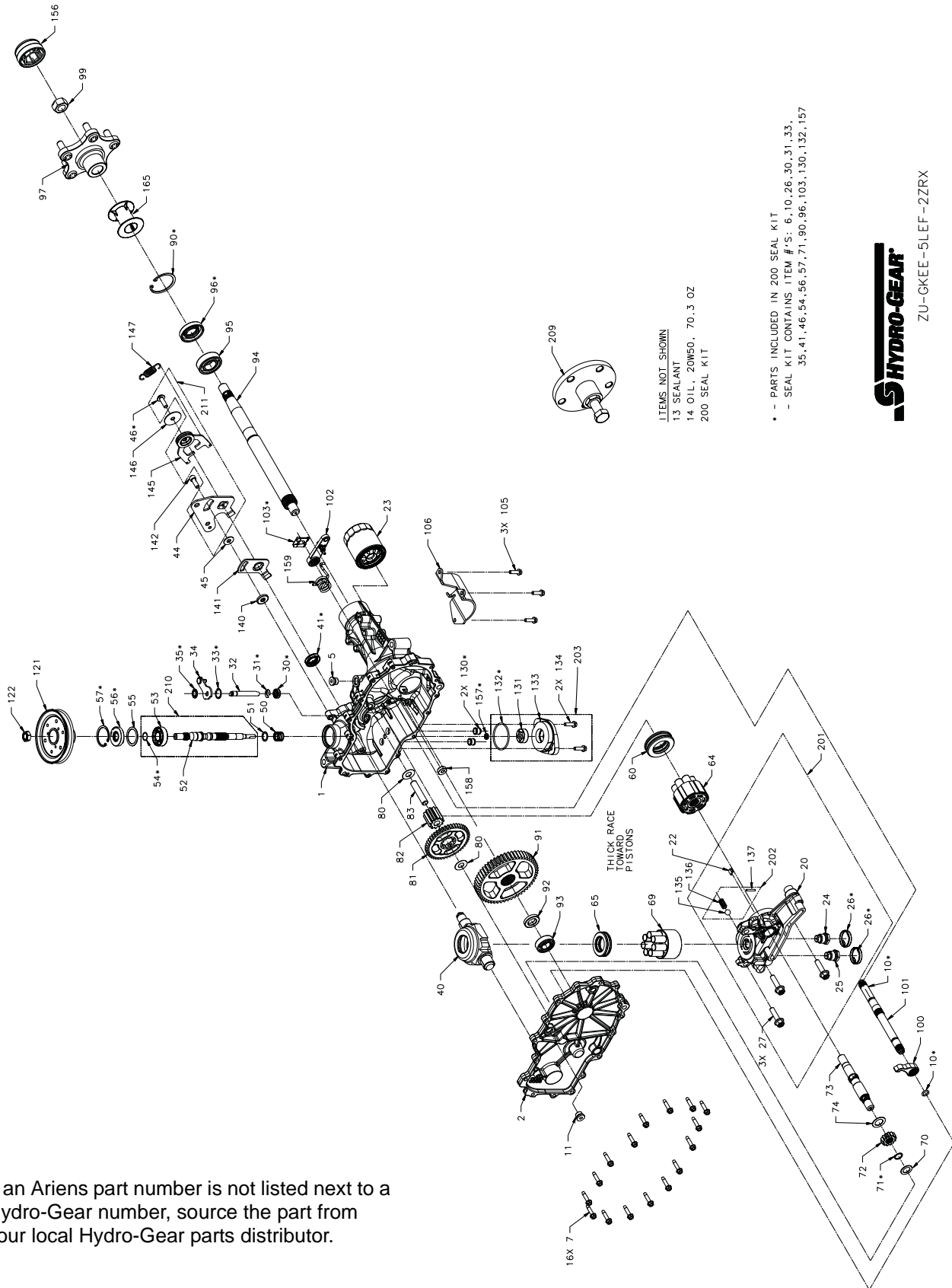
TRANSMISSION

Model 991079, 080, 081, 095, 096, 097, 102, 103, 104

Item	Part No.	Qty	Description
1	03776400	1	Transaxle, 100I – Right Hand
2	06545400	4	Nut, Nyloc Flange .31-18
3	06543100	4	Nut, Locking Top Flange .31-18
4	03283500	2	Fan, 2800 Series Cooling
5	07001528	2	Fitting, Hydraulic (90°)
6	04244751	2	Transmission Damper Mounting Plate
7	07412400	6	Screw, Tapping Hex Washer Head Thread Rolling .25-20 x 1.00
8	03769800	2	Damper
9	06701900	2	Pin, Hair, Internal .06 x .18 x .77
10	03911900	2	Lever, 100I Dump Valve
11	06437200	4	Washer, Flat Steel .344 x .688 x .065
12	05962500	4	Bolt, Hex .31-18 x 3.00
13	05958400	4	Bolt, Hex .38-16 x 2.50
14	03776500	1	Transaxle, 100I – Left Hand
15	02970200	2	Tank, Expansion ZT2800
16	07400034	4	Screw, Tapping Hex Washer Head Thread .25-20 x .50
17	06923500	4	Clamp, .88 Diameter Hose
18	03832300	2	Hose, 100I Hydro Overflow
19	06536100	4	Nut, Jam .312-18 UNC YWZC
20	07539800	2	Knob, Ball Black .312-18 x 1.00
21	05901315	1	Bolt, Hex .38-16 x 11.00
22	06545500	7	Nut, Locking-Nylon-Flange .38-16
23	03367200	1	Spacer, .38 ID x 5/8 OD x 7.72
24	04097100	2	Stud, Ball, Threaded
25	03652200	2	Stud, Ball
26	05948700	2	Bolt, Hex .38-16 x 1.00
Not Shown:			
	21545100	AR	Oil Filter, 2800 Transmission

TRANSMISSION – RIGHT HAND

Model 991079, 080, 081, 095, 096, 097, 102, 103, 104



ZU-GKEE-5LEF-2ZRX

If an Ariens part number is not listed next to a Hydro-Gear number, source the part from your local Hydro-Gear parts distributor.

TRANSMISSION – RIGHT HAND

Model 991079, 080, 081, 095, 096, 097, 102, 103, 104

Item	Ariens p/n	Hydro-Gear p/n	Qty.	Description
1		71984	1	KIT, HOUSING,MAIN,RH,CHRG,CNTL
			1	HOUSING, MAIN, RH, CHRG, CNTL
			1	BUSHING, .624 x .719 x .562
			1	BRG, JRNL .86 x .98 x .79
			2	PIN, .25 x .375
(105)			3	HFCS 1/4-20 x .625
(134)			2	HFCS 1/4-20 x .625
2		71990	1	KIT, COVER, SIDE, RH
			1	COVER, SIDE, RH
			1	BUSHING, .624 x .719 x .562
			1	BRG, JRNL .86 x .98 x .79
5		9005110-5600	1	PLUG 9/16-18 (METAL)
7		53246	16	HFCS 1/4-20 x 1.125"
10		51804	2	O-RING - 111 .103 x 424
11		9005110-5600	1	PLUG 9/16-18 (METAL)
13	21543771	50928	1	SEALANT
14			70.3oz	OIL, 20W50
22		51448	1	PLATE, BYPASS
23	21545100	52114	1	FILTER, OIL
26		52162	2	SEAL, PLUG 1.250 x .250
27		52137	3	HFCS 3/8-16 x 1.5 (PATCH)
30	21543845	51626	1	SEAL, LIP .375 x .75 x .25
31	08622500	51628	1	RING, RET .375 EXTRNL
32		52136	1	ROD, BYPASS
33		51627	1	RING, RET .750 INTRNL
34		51910	1	ARM, BYPASS
35	21543848	51630	1	RING, RTNG .375 EXT
40	21543783	51048	1	TRUNNION, SWASHPLATE
41	21543809	51140	1	SEAL, LIP 12 x 32 x 7
45		44130	1	WASHER .34 x .88 x .06
46	21543854	51812	1	TWHS 5/16-24 x 1.00 (PATCH)
50		2003014	1	SPRING, BLOCK
51	08609400	2003017	1	WASHER-FLAT .59 x .79 x .04
55	21543773	50951	1	WASHER 1.23 x 1.56 x .04
56	21543816	51161	1	SEAL, LIP 17 x 40 x 7
57	21543741	50329	1	RING, RETAINING
60		51462	1	BEARING, THRUST
64		71579	1	ASS'Y, CYLINDER BLOCK, 16cc
65		53502	1	BRG, THRUST PLASTIC CAGE
69		71971	1	ASS'Y, BLOCK 7 PISTON
70		44371	1	WASHER .63 x 1.0 x .05
71		44145	1	RING, RETAINING .625
72		52342	1	GEAR, 13T, STEEL
73		52150	1	SHAFT, MOTOR
74		51069	1	WASHER .72 x 1.16 x .04
80	21543724	50132	2	WASHER .5 x 1.0 x .03
81		52343	1	GEAR, 46T
82		52586	1	GEAR, 11T, STEEL
83		51083	1	JACK SHAFT (PIN)
90		50859	1	RING, RET 2.06 INT
91		53327	1	GEAR, 54T
92		53336	1	SPACER, .750 x 1.320 x .257
93		44121	1	BEARING, BALL, .75 x 40 x 12
94		53527	1	SHAFT, AXLE
95	08614000	50771	1	BRG, BALL 25.4 x 52 x 15
96	08614300	50772	1	SEAL, LIP 1.000 x 2.049 x .375
97		71691	1	KIT, HUB, 5 BOLT
			1	HUB, TAPER 3.56, 5 BOLT
			5	STUD, 1/2-20 x 1.5 (RIB NECK)
99	08621100	50863	1	NUT, HEX LOCK 3/4-16
100		52776	1	PAWL, BRAKE
101		52640	1	SHAFT, BRAKE
102		71980	1	KIT, HANDLE, ACTUATING
103		52027	1	CLIP, RETAINING

TRANSMISSION – RIGHT HAND

Model 991079, 080, 081, 095, 096, 097, 102, 103, 104

Item	Ariens p/n	Hydro-Gear p/n	Qty.	Description
105		53464	3	SCREW, HEX FLANGE 1/4-20 x .625
106		52257	1	GUARD, FILTER, RH
121		53218	1	PULLEY, 4.5 x 1.625
122	21543703	44133	1	NUT,HEX JAM 1/2-20 W/ PATCH
130		52157	2	TUBE, CONNECTING
131		50273	1	GEROTOR ASSEMBLY (1.9 cc/rev)
132	21544005	52250	1	O-RING, -137, 0.103 x 2.050
133		53468	1	COVER, CHARGE PUMP
134		53464	2	SCREW, HEX FLANGE 1/4-20 x .625
140		52527	1	SPACER .320 x 1.005 x .179
141		51945	1	ARM, NEUTRAL RIGHT
142		51616	1	SHCS 5/16-24 x 1 PATCH
146	21543871	51950	1	WASHER, .343 x 1.500 x .062
147	21544001	51833	1	SPRING, EXTNSN RTN-34LBS
157	21544001	53456	1	SEAL, LIP 8 x 12 x 3 VC
158		51100	1	MAGNET, RING
159		53429	1	SPRING, TORSION CCW
165		53496	1	TUBE, AXLE 2.04
200		71976	1	KIT, SEAL
			2	PIN, .25 x .375
(10)			2	O-RING - 111 .103 x 424
(26)			2	SEAL, PLUG 1.250 x .250
(30)			1	SEAL, LIP .375 x .75 x .25
(31)			1	RING, RET .375 EXTRNL
(33)			1	RING, RET .750 INTRNL
(35)			1	RING, RTNG .375 EXT
(41)			1	SEAL, LIP 12 x 32 x 7
(46)			1	TWHCS 5/16-24 x 1.00 (PATCH)
54			1	RING, RET. WIRE .561
(56)			1	SEAL, LIP 17 x 40 x 7
(57)			1	RING, RETAINING
(71)			1	RING, RETAINING .625
(90)			1	RING, RET 2.06 INT
(96)			1	SEAL, LIP 1.000 x 2.049 x .375
(103)			1	CLIP, RETAINING
(130)			2	TUBE, CONNECTING
(132)			1	O-RING, -137, 0.103 x 2.050
(157)			1	SEAL, LIP 8 x 12 x 3 VC
201		71972	1	KIT, CENTER SECTION, RH, CHRG
20			1	CENTER SECTION, RH, CHRG
(22)			1	PLATE, BYPASS
24			1	SHOCK VALVE ASSEMBLY 220 BAR
25			1	SHOCK VALVE ASSEMBLY 220 BAR
(26)			2	SEAL, PLUG 1.250 x .250
(27)			3	HFHCS 3/8-16 x 1.5 (PATCH)
			1	BEARING, JOURNAL .50 x .59 x .50
135			1	BALL 7/16
136			1	SPRING, RELIEF
137			1	PIN, SPRING .125 x .875
202		71436	1	KIT, CHARGE RELIEF
135			1	BALL 7/16
136			1	SPRING, RELIEF
137			1	PIN, SPRING .125 x .875
203		71977	1	KIT, CHARGE PUMP
(131)			1	GEROTOR ASSEMBLY (1.9 cc/rev)
(132)			1	O-RING, -137, 0.103 x 2.050
(133)			1	COVER, CHARGE PUMP
(134)			2	HFHCS 1/4-20 x .75
209		71784	1	HUB PULLER, 5 BOLT

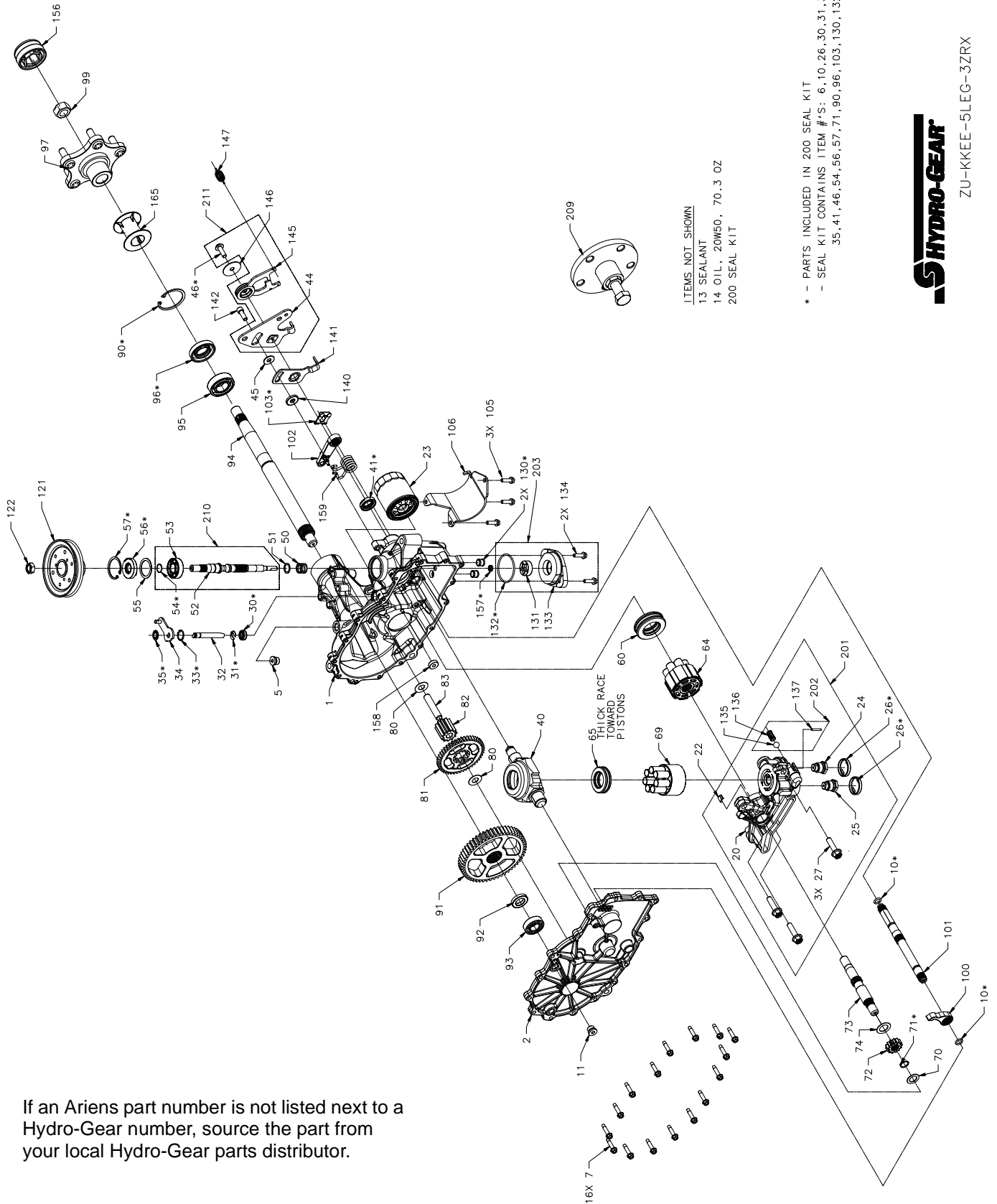
TRANSMISSION – RIGHT HAND

Model 991079, 080, 081, 095, 096, 097, 102, 103, 104

Item	Ariens p/n	Hydro-Gear p/n	Qty.	Description
210		71978	1	KIT, INPUT SHAFT
52			1	SHAFT, INPUT
53			1	BRG, BALL 17 x 40 x 12
54			1	RING, RET WIRE .561 ID
211		71597	1	KIT, RTN, CW
44			1	ARM, CONTROL, RH
(46)			1	TWHCS 5/16-24 x 1.00 (PATCH)
145			1	ASSEMBLY, RTN, CW

TRANSMISSION – LEFT HAND

Model 991079, 080, 081, 095, 096, 097, 102, 103, 104



ITEMS NOT SHOWN

- 13 SEALANT
- 14 OIL, 20W50, 70.3 OZ
- 200 SEAL KIT

- * – PARTS INCLUDED IN 200 SEAL KIT
- SEAL KIT CONTAINS ITEM #'S: 6, 10, 26, 30, 31, 33, 35, 41, 46, 54, 56, 57, 71, 90, 96, 103, 130, 132, 157



ZU-KKEE-5LEG-3ZR

If an Ariens part number is not listed next to a Hydro-Gear number, source the part from your local Hydro-Gear parts distributor.

TRANSMISSION – LEFT HAND

Model 991079, 080, 081, 095, 096, 097, 102, 103, 104

Item	Ariens p/n	Hydro-Gear p/n	Qty.	Description
1		71986	1	KIT, HOUSING,MAIN,LH,CHRG,CNTL
			1	HOUSING, MAIN, LH, CHRG, CNTL
			1	BUSHING, .624 x .719 x .562
			1	BRG, JRNL .86 x .98 x .79
			2	PIN, .25 x .375
(105)			3	HFHCS 1/4-20 x .75
(134)			2	HFHCS 1/4-20 x .75
2		71992	1	KIT, COVER, SIDE, LH
			1	COVER, SIDE, LH
			1	BUSHING, .624 x .719 x .562
			1	BRG, JRNL .86 x .98 x .79
5		9005110-5600	1	PLUG 9/16-18 (METAL)
7		53246	16	HFHCS 1/4-20 x 1.125"
10		51804	2	O-RING - 111 .103 x 424
11		9005110-5600	1	PLUG 9/16-18 (METAL)
13	21543771	50928	1	SEALANT
14			70.3oz	OIL, 20W50
22		51448	1	PLATE, BYPASS
23	21545100	52114	1	FILTER, OIL
26		52162	2	SEAL, PLUG 1.250 x .250
27		52137	3	HFHCS 3/8-16 x 1.5 (PATCH)
30	21543845	51626	1	SEAL, LIP .375 x .75 x .25
31	08622500	51628	1	RING, RET .375 EXTRNL
32		52136	1	ROD, BYPASS
33		51627	1	RING, RET .750 INTRNL
34		52370	1	ARM, BYPASS
35	21543848	51630	1	RING, RTNG .375 EXT
40	21543783	51048	1	TRUNNION, SWASHPLATE
41	21543809	51140	1	SEAL, LIP 12 x 32 x 7
45		44130	1	WASHER .34 x .88 x .06
46	21543854	51812	1	TWHCS 5/16-24 x 1.00 (PATCH)
50		2003014	1	SPRING, BLOCK
51	08609400	2003017	1	WASHER-FLAT .59 x .79 x .04
55	21543773	50951	1	WASHER 1.23 x 1.56 x .04
56	21543816	51161	1	SEAL, LIP 17 x 40 x 7
57	21543741	50329	1	RING, RETAINING
60		51462	1	BEARING, THRUST
64		71579	1	ASS'Y, CYLINDER BLOCK, 16cc
65		53502	1	BRG, THRUST PLASTIC CAGE
69		71971	1	ASS'Y, BLOCK 7 PISTON
70		44371	1	WASHER .63 x 1.0 x .05
71		44145	1	RING, RETAINING .625
72		52342	1	GEAR, 13T, STEEL
73		52150	1	SHAFT, MOTOR
74		51069	1	WASHER .72 x 1.16 x .04
80	21543724	50132	2	WASHER .5 x 1.0 x .03
81		52343	1	GEAR, 46T
82		52586	1	GEAR, 11T, STEEL
83		51083	1	JACK SHAFT (PIN)
90		50859	1	RING, RET 2.06 INT
91		53327	1	GEAR, 54T
92		53336	1	SPACER, .750 x 1.320 x .257
93		44121	1	BEARING, BALL, .75 x 40 x 12
94		53527	1	SHAFT, AXLE
95	08614000	50771	1	BRG, BALL 25.4 x 52 x 15
96	08614300	50772	1	SEAL, LIP 1.000 x 2.049 x .375
97		71691	1	KIT, HUB, 5 BOLT
			1	HUB, TAPER 3.56, 5 BOLT
			5	STUD, 1/2-20 x 1.5 (RIB NECK)
99	08621100	50863	1	NUT, HEX LOCK 3/4-16
100		52776	1	PAWL, BRAKE
101		52640	1	SHAFT, BRAKE

TRANSMISSION – LEFT HAND

Model 991079, 080, 081, 095, 096, 097, 102, 103, 104

Item	Ariens p/n	Hydro-Gear p/n	Qty.	Description
102		51979	1	KIT HANDLE, ACTUATING
103		52027	1	CLIP, RETAINING
105		53464	3	SCREW, HEX FLANGE 1/4-20 x .625
106		52247	1	GUARD, FILTER, LH
121		53218	1	PULLEY, 4.5 x 1.625
122	21543703	44133	1	NUT,HEX JAM 1/2-20 W/ PATCH
130		52157	2	TUBE, CONNECTING
131		50273	1	GEROTOR ASSEMBLY (1.9 cc/rev)
132	21544005	52250	1	O-RING, -137, 0.103 x 2.050
133		53468	1	COVER, CHARGE PUMP
134		53464	2	SCREW, HEX FLANGE 1/4-20 x .625
140		52527	1	SPACER .320 x 1.005 x .179
141		51946	1	ARM, NEUTRAL LEFT
142		51616	1	SHCS 5/16-24 x 1 PATCH
146	21543871	51950	1	WASHER, .343 x 1.500 x .062
147	21544001	51833	1	SPRING, EXTNSN RTN-34LBS
157		53456	1	SEAL, LIP 8 x 12 x 3 VC
158		51100	1	MAGNET, RING
159		53483	1	SPRING, TORSION CW
165		53496	1	TUBE, AXLE 2.04
200		71976	1	KIT, SEAL
			2	PIN, .25 x .375
(10)			2	O-RING - 111 .103 x 424
(26)			2	SEAL, PLUG 1.250 x .250
(30)			1	SEAL, LIP .375 x .75 x .25
(31)			1	RING, RET .375 EXTRNL
(33)			1	RING, RET .750 INTRNL
(35)			1	RING, RTNG .375 EXT
(41)			1	SEAL, LIP 12 x 32 x 7
(46)			1	TWHCS 5/16-24 x 1.00 (PATCH)
54			1	RING, RET. WIRE .561
(56)			1	SEAL, LIP 17 x 40 x 7
(57)			1	RING, RETAINING
(71)			1	RING, RETAINING_.625
(90)			1	RING, RET 2.06 INT
(96)			1	SEAL, LIP 1.000 x 2.049 x .375
(103)			1	CLIP, RETAINING
(130)			2	TUBE, CONNECTING
(132)			1	O-RING, -137, 0.103 x 2.050
(157)			1	SEAL, LIP 8 x 12 x 3 VC
201		71973	1	KIT, CENTER SECTION, LH, CHRG
20			1	CENTER SECTION, LH, CHRG
(22)			1	PLATE, BYPASS
24			1	SHOCK VALVE ASSEMBLY 220 BAR
25			1	SHOCK VALVE ASSEMBLY 220 BAR
(26)			2	SEAL, PLUG 1.250 x .250
(27)			3	HFHCS 3/8-16 x 1.5 (PATCH)
			1	BEARING, JOURNAL .50 x .59 x .50
135			1	BALL 7/16
136			1	SPRING, RELIEF
137			1	PIN, SPRING .125 x .875
202		71436	1	KIT, CHARGE RELIEF
135			1	BALL 7/16
136			1	SPRING, RELIEF
137			1	PIN, SPRING .125 x .875
203		71977	1	KIT, CHARGE PUMP
(131)			1	GEROTOR ASSEMBLY (1.9 cc/rev)
(132)			1	O-RING, -137, 0.103 x 2.050
(133)			1	COVER, CHARGE PUMP
(134)			2	HFHCS 1/4-20 x .75
209		71784	1	HUB PULLER, 5 BOLT
210		71978	1	KIT, INPUT SHAFT

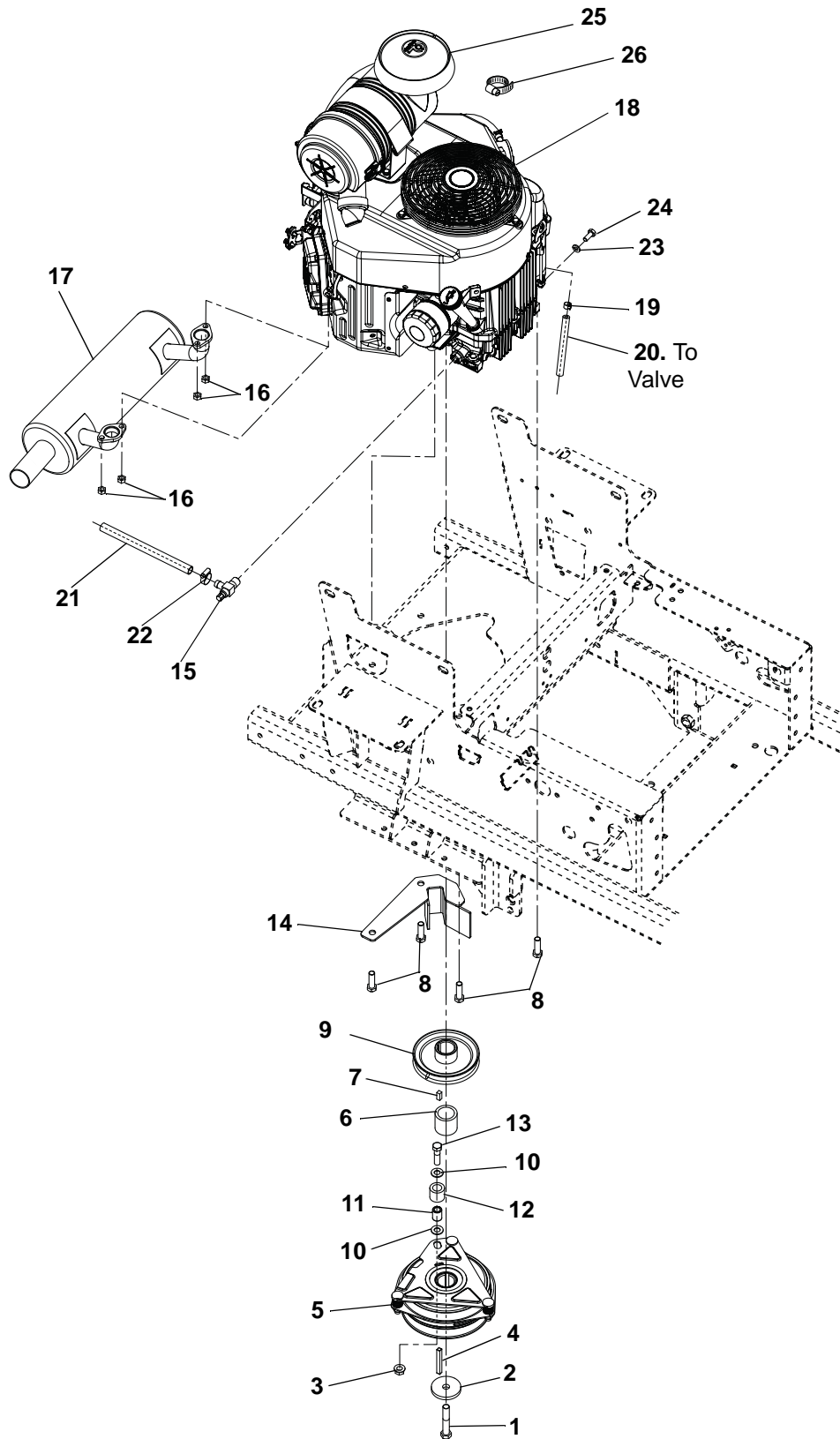
TRANSMISSION – LEFT HAND

Model 991079, 080, 081, 095, 096, 097, 102, 103, 104

Item	Ariens p/n	Hydro-Gear p/n	Qty.	Description
52			1	SHAFT, INPUT
53			1	BRG, BALL 17 x 40 x 12
54			1	RING, RET WIRE .561 ID
211		71599	1	KIT, RTN, CCW
44			1	ARM, CONTROL, LH
(46)			1	TWHCS 5/16-24 x 1.00 (PATCH)
145			1	ASSEMBLY, RTN, CCW

ENGINE

Model 991079, 080, 081, 095, 096, 097, 102, 103, 104



PE046_G_kaw_fx

ENGINE

Model 991079, 080, 081, 095, 096, 097, 102, 103, 104

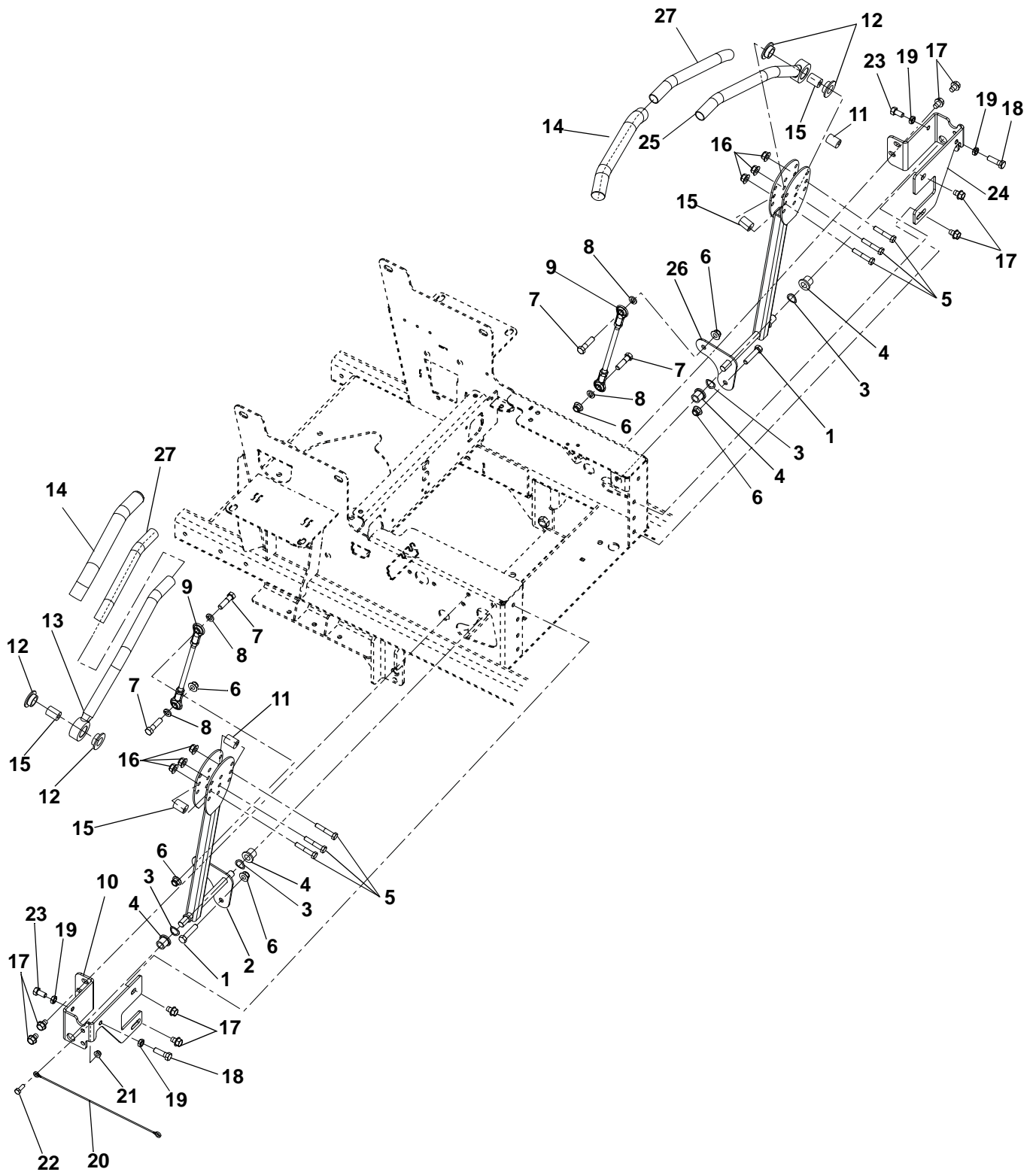
Item	Part No.	Qty	Description
1	05900036	1	Bolt, Hex .44-20 x 2.50
2	06443600	1	Washer, Flat Steel .469 x 2.00 x .25
3	06542000	1	Nut, Locking Top Flange .38-16
4	06610300	1	Key .25 x .25 x 2.25
5	03785000	1	Clutch, Ogura GT2.5-FE02
6	03829700	1	Spacer, 1.125 x 1.50 x 1.40
7	06602700	1	Key, Square .25 x .625 x .25 SAE 8630 or SAE 1035
8	05900125	4	Bolt, Hex .38-16 x 1.25 FTH (991079, 080, 081, 102, 103, 104)
	07417400	4	Screw, Tapping Hex Washer Head Thread Rolling .38-16 x 1.50 (991095, 096, 097)
9	07331667	1	Sheave, 4.831 x 1.127
10	06436200	2	Washer, Flat Steel .406 x .812 x .065
11	08905500	1	Bushing, Sleeve .407 x .625 x .813 Steel
12	07500007	1	Bumper, Rubber .62 x 1.0 x .88 LG Engine
13	05957900	1	Bolt, Hex .38-16 x 1.50
14	03828051	1	100I Clutch Stop Weldment
15	00429000	1	Drain, .50 Oil
16	06500018	4	Nut, Locking Top M8-1.25
17	03989000	1	Muffler, Kawasaki FX (991079, 080, 081, 102, 103, 104)
	04262200	1	Muffler, Kohler EFT(991095, 096, 097)
18	08200721	1	Engine, Kawasaki FX691 (991079, 080, 102, 103)
	08200722	1	Engine, Kawasaki FX730 (991081, 104)
	08200715	1	Engine, Kohler EFI ECV680 (991095, 096)
	08200716	1	Engine, Kohler EFI ECV730 (991097)
19	03278800	1	Clamp, Fuel Line
20	03278100	24.0"	Hose, .25 Low-Perm Bulk Gas
21	01590900	1	Tube, Oil Drain 8" Clear Vinyl
22	06923500	1	Clamp, .88 Diameter Hose
23	06308600	1	Washer, Locking .31 x .078 Regular
24	05973300	1	Bolt, Hex M8-1.25 x 20
25	04088900	AR	Cap, Air Cleaner Rain
26	06900426	AR	Clamp, Hose 2.75 Dia. Worm

Not Shown:

03286700	AR	Lead, Starter Solenoid
21548800	AR	Air Filter Element, Outer Primary – Kawasaki
21548700	AR	Air Filter Element, Inner Safety – Kawasaki
21535800	AR	Filter, Oil – Kawasaki # 49065-2078
21536100	AR	Plug, Spark – Kawasaki # 92070-7004
21538400	AR	Filter, Fuel – Kawasaki # 49019-7001
21536900	AR	Element, Inner Safety – Kohler
21537000	AR	Element, Outer Primary – Kohler
21397200	AR	Filter, Oil – Kohler
21544000	AR	Plug, Spark Champion #3071 – Kohler
21547528	AR	Filter, Fuel EFI – Kohler

CONTROLS

Model 991079, 080, 081, 095, 096, 097, 102, 103, 104



PE005_G_controls

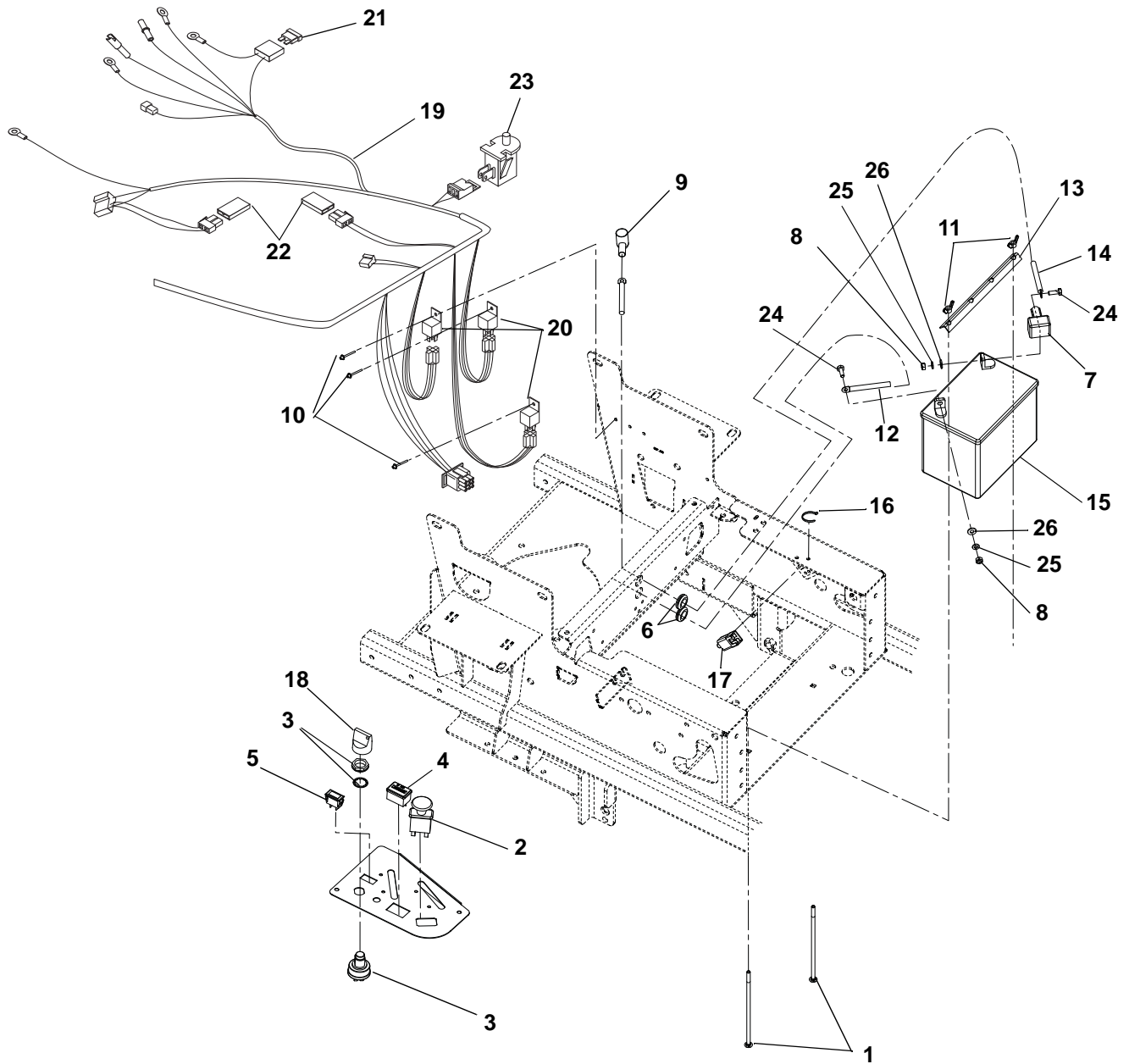
CONTROLS

Model 991079, 080, 081, 095, 096, 097, 102, 103, 104

Item	Part No.	Qty	Description
1	05942200	2	Bolt, Hex .Full Thread 38-16 x 2.00
2	04558551	1	Weldment, Right Hand Control
3	03704900	4	Wave Washer .640 x .875 x .125 Free Height
4	05521100	4	Bushing, Flange Nylon .515 x .750 x .745 x 1.00
5	05957400	6	Bolt, Hex .31-18 x 1.75
6	06545500	6	Nut, .38-16 Nyloc Flange
7	05957900	4	Bolt, Hex .38-16 x 1.50
8	06308800	4	Washer, Locking .38 x .094 Regular
9	03251700	2	Assembly, Steering Linkage
10	03752753	1	Bracket, Right Hand Steering Stop
11	05500932	2	Eccentric
12	05525200	4	Bushing, Flange .762 x 1.48 x .44 Nylon
13	09235600	1	Weldment, Handle Right Hand
14	03929100	2	Grip, Handlebar
15	09235400	4	Spacer, .328 x .76 x 1.01
16	06545400	6	Nut, .31-18 Nyloc Flange
17	07412900	8	Screw, Tapping Hex Washer Head Thread Rolling .38-16 x .50
18	05958000	2	Bolt, Hex .38-16 x 1.25
19	06535900	4	Nut, Hex Jam .375-16
20	06900317	1	Cable, 12.0 Lanyard, Nylon
21	06500012	1	Nut, .25-20 Nyloc Flange
22	05946800	1	Bolt, Hex .25-20 x .75
23	05959400	2	Bolt, Hex .38-16 x .75
24	03754753	1	Bracket, Left Hand Steering Stop
25	09235500	1	Weldment, Handle Left Hand
26	04558651	1	Weldment, Left Hand Control
27	03988300	2	Tube

ELECTRICAL

Model 991079, 080, 081, 095, 096, 097, 102, 103, 104



PE021_G_electrical_2

ELECTRICAL

Model 991079, 080, 081, 095, 096, 097, 102, 103, 104

Item	Part No.	Qty	Description
1	06226400	2	Bolt, Round Head Square Neck .25-20 x 7.50
2	01545600	1	Switch, Clutch
3	00464000	1	Switch, Ignition
4	03966800	1	Hour Meter w/Maintenance
5	08841200	1	Light, Indicator (991079, 080, 081, 102,103)
	08841200	2	Light, Indicator (991095, 096, 97,104)
6	07500126	2	Bushing, Panel Snap .687 x .875 x .56
7	07505700	1	Insulator
8	06533200	2	Nut, Hex .25-20
9	00525800	1	Battery Terminal Boot, Red
10	07500125	3	Rivet, .25 Nylon Panel
11	06537500	2	Nut, Locking Wing .250-20
12	03111101	1	Ground Cable .31 x 22.00 x .31
13	03494051	1	Hold Down
14	03288400	1	Cable, Positive Battery 26.00"
15	01554800	1	Exide Battery, Sealed Maintenance Free U1-250
16	07517300	1	Cable Tie
17	03834300	1	Switch, Snap In-N.O./N.O.
18	09287000	1	Key, with Shield
19	04244800	1	Harness, Wire – Pro-Turn 100
20	00432100	AR	Relay, Sealed with Diode
21	00524600	AR	Fuse, 30 AMP.
22	09293500	AR	Diode, Connector Shell
23	02754100	AR	Switch, Snap Mounting (N.O.)
24	05946800	2	Bolt, Hex .25-20 x .75
25	06308400	2	Washer, Locking .25 x .062 Regular
26	06437300	2	Washer, Flat Steel .281 x .62 x .065
Not Shown:			
27	04268100	AR	Harness, Kohler EFI (991095, 096, 097)

CONTINUITY DIAGRAM

Model 991079, 080, 081, 095, 096, 097, 102, 103, 104

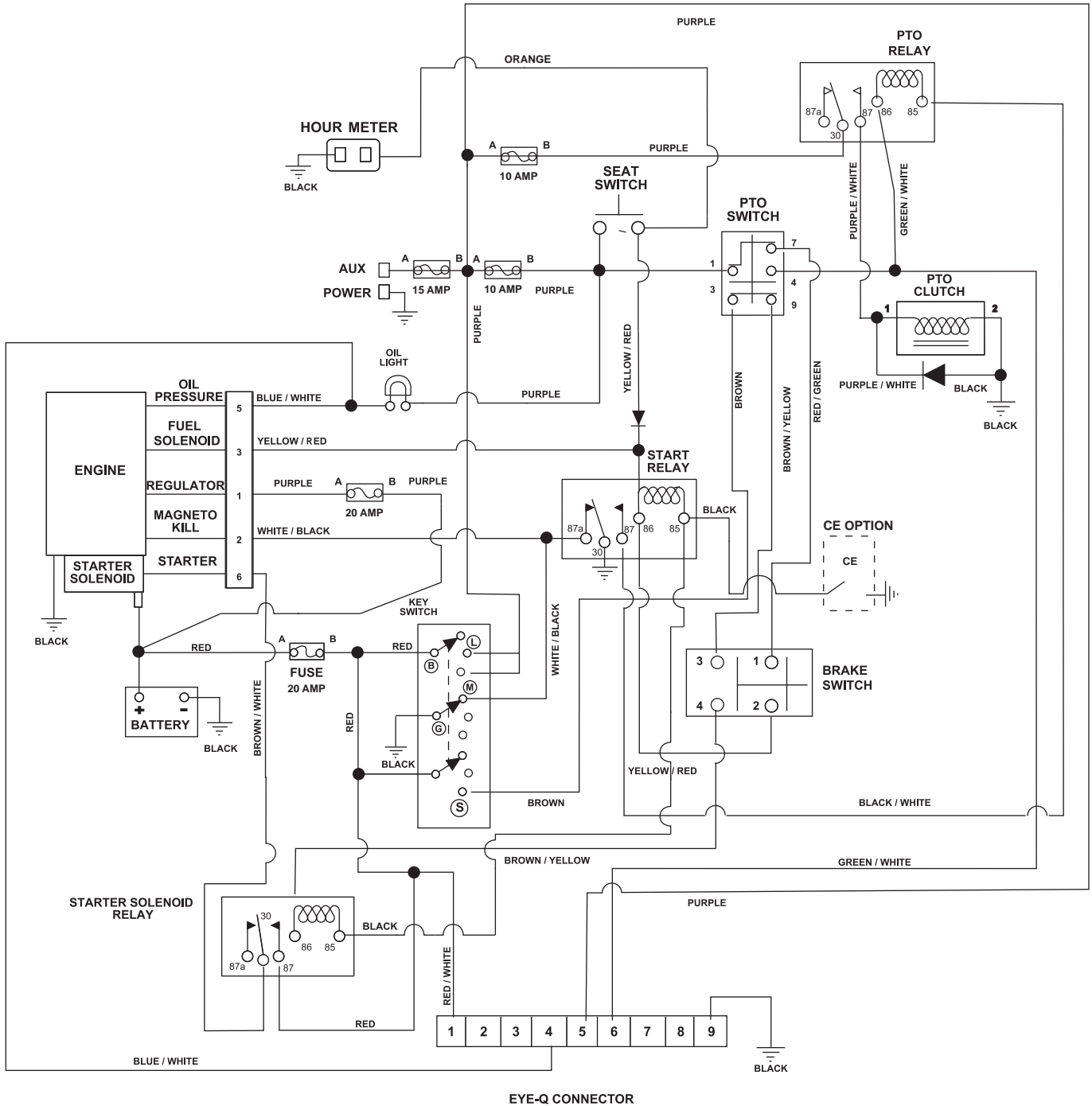
The diagrams below show the various states of connection for electrical components.
The solid lines on switches show continuity.

NOTE: All switches are viewed from the rear.

<p>Key Switch (00464000)</p> <table border="1" style="width: 100%; border-collapse: collapse; margin-top: 20px;"> <thead> <tr> <th style="text-align: left;">POSITION</th> <th style="text-align: left;">CIRCUIT</th> </tr> </thead> <tbody> <tr> <td>1. OFF</td> <td>G + M</td> </tr> <tr> <td>2. RUN</td> <td>B + L</td> </tr> <tr> <td>3. START</td> <td>B + L + S</td> </tr> </tbody> </table>	POSITION	CIRCUIT	1. OFF	G + M	2. RUN	B + L	3. START	B + L + S	<div style="display: flex; justify-content: space-around; margin-bottom: 10px;"> OFF RUN START </div>
POSITION	CIRCUIT								
1. OFF	G + M								
2. RUN	B + L								
3. START	B + L + S								
<p>PTO Switch (01545600)</p> <div style="display: flex; justify-content: space-around; margin-top: 20px;"> <div style="text-align: center;"> <p>DISENGAGED (down position)</p> </div> <div style="text-align: center;"> <p>ENGAGED (up position)</p> </div> </div>	<p>Relay (00432100)</p> <div style="display: flex; justify-content: space-around; margin-top: 20px;"> <div style="text-align: center;"> <p>NOT ENERGIZED</p> </div> <div style="text-align: center;"> <p>ENERGIZED</p> </div> </div>								
<p>Brake Switch (03834300)</p> <div style="display: flex; justify-content: space-around; margin-top: 20px;"> <div style="text-align: center;"> <p>BUTTON IN</p> </div> <div style="text-align: center;"> <p>BUTTON OUT</p> </div> </div>	<p>Seat Switch (02754100)</p> <div style="display: flex; justify-content: space-around; margin-top: 20px;"> <div style="text-align: center;"> <p>OPERATOR OFF SEAT</p> </div> <div style="text-align: center;"> <p>OPERATOR ON SEAT</p> </div> </div>								

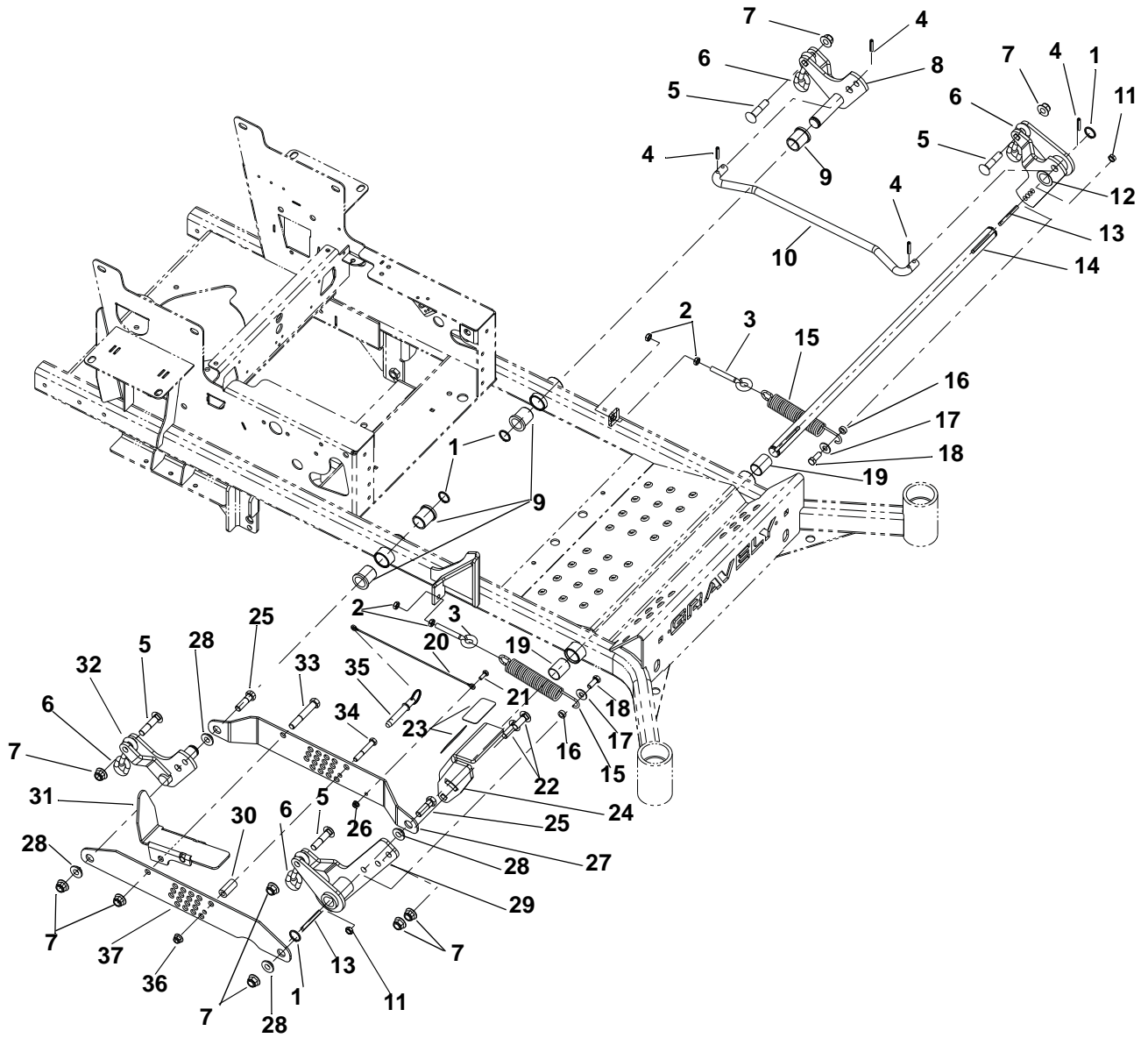
WIRING DIAGRAM

Model 991079, 080, 081, 095, 096, 097, 102, 103, 104



MECHANICAL DECK LIFT

Model 991079, 080, 081, 095, 096, 097, 102, 103, 104



PE015_G_mechanical lift

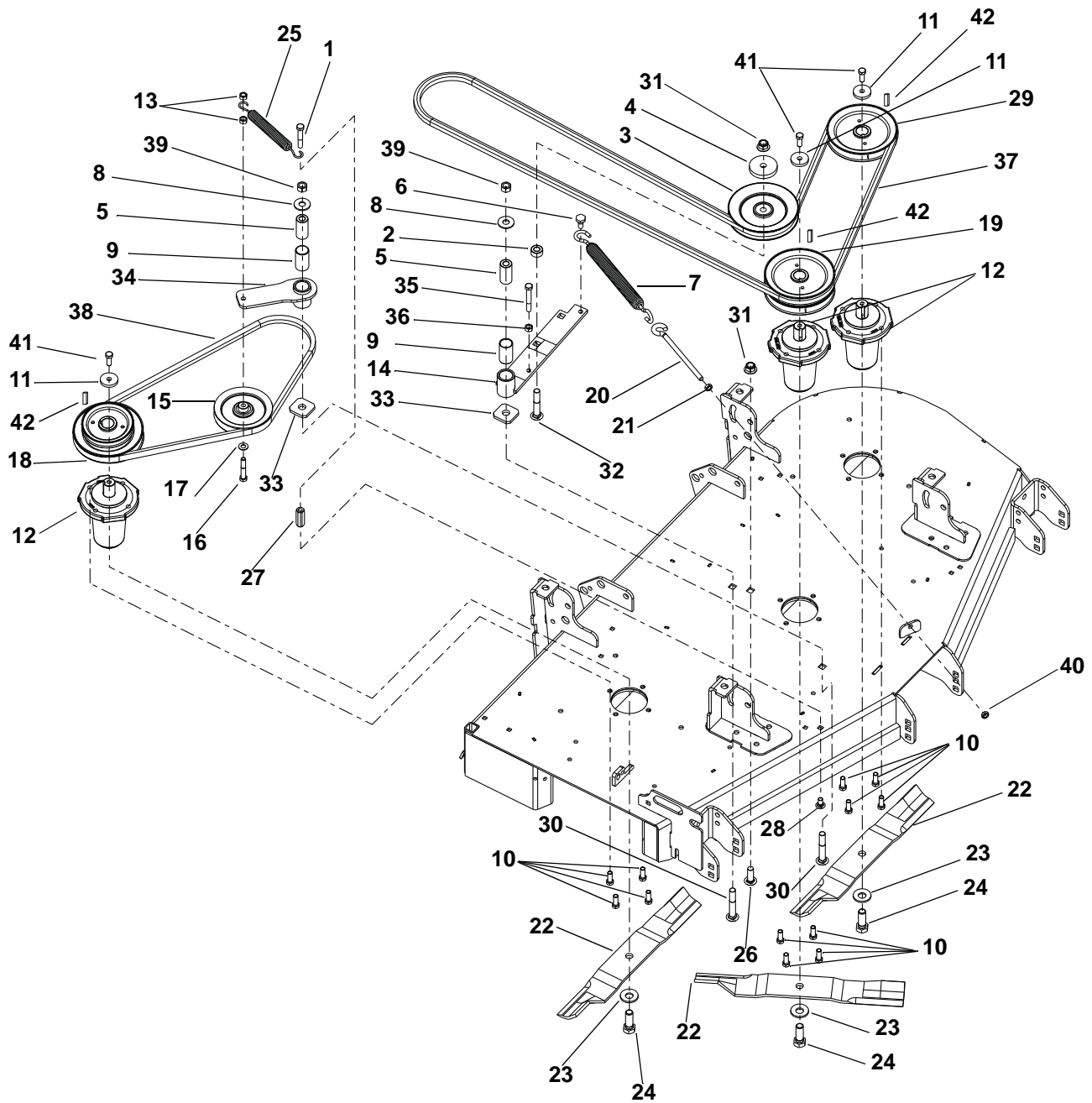
MECHANICAL DECK LIFT

Model 991079, 080, 081, 095, 096, 097, 102, 103, 104

Item	Part No.	Qty	Description
1	05707300	4	Ring, Retaining External 1.00 x .078
2	06535900	4	Nut, Hex Jam .375-16
3	07030000	2	Bolt, Eye .375-16 x 2.50
4	05800001	4	Pin, Roll .25 x 1.25 Stainless Steel
5	06200119	4	Bolt, Round Head Square Neck .50-13 x 2.25
6	04242600	4	Chain, 3-Link .38 Deck Lift
7	06500010	9	Nut, Locking Nylon Flange .50-13
8	03858100	1	Weldment, Left Hand Rear Deck Lift
9	05500934	4	Bushing, Flange 1.00 x 1.25 x 1.50 x 1.50
10	04063100	1	Rod, Lift Assist 19.35"
11	06537200	2	Nut, Locking Center Jam .375-16
12	03857900	1	Weldment, Front Left Hand Deck Lift
13	06602600	2	Key, Square .25 x 2.50 x .25 SAE
14	04243600	1	Shaft, PT100 Front Mower Lift
15	08319000	2	Spring, Tension .162 x 1.25 x 8.25 Weldment 25
16	05508900	2	Bushing, Sleeve .377 x .624 x .235
17	06435900	2	Washer, Flat Steel .438 x 1.00 x .083
18	05948700	2	Bolt, Hex .38-16 x 1.00
19	05500034	2	Bushing, 1.00 ID x 1.125 OD x 1.50
20	06900317	1	Cable, 12.0 Lanyard, Nylon
21	05946800	1	Bolt, Hex .25-20 x .75
22	06223100	2	Bolt, Round Head Square Neck .50-13 x 1.50
23	00270100	2	Grip, Pedal 1.50 x 3.00
24	04088651	1	Adjustable Foot Lift Pedal, Black
25	05970600	2	Bolt, Hex .50-13 x 1.75
26	06500012	1	Nut, Locking Nylon Flange .25-20
27	03954751	1	RH Lift/Cut Height Bracket, InboardINBD, Black
28	03989100	4	Bushing, Flange .515 x .750 x .395 x 1.120
29	04184400	1	Weldment, Adjustable Deck Foot Lift
30	03954800	1	Spacer, .375 x .750 x 1.54
31	03864051	1	Mechanical Lock-up Weldment, Black
32	03858000	1	Weldment, Right Hand Rear Deck Lift
33	05960000	1	Bolt, Hex .50-13 x 3.25
34	05958400	1	Bolt, Hex .38-16 x 2.50
35	03957100	1	Pin, .50 x 2.00 Usable Length Ball
36	06545500	1	Nut, Locking Nylon Flange .38-16
37	03954651	1	Bracket

BELTS, SPINDLES, IDLERS & BLADES, 48" & 52" DECKS

Model 991079, 080, 095, 096, 102, 103



Belts_Spindles_48in_G

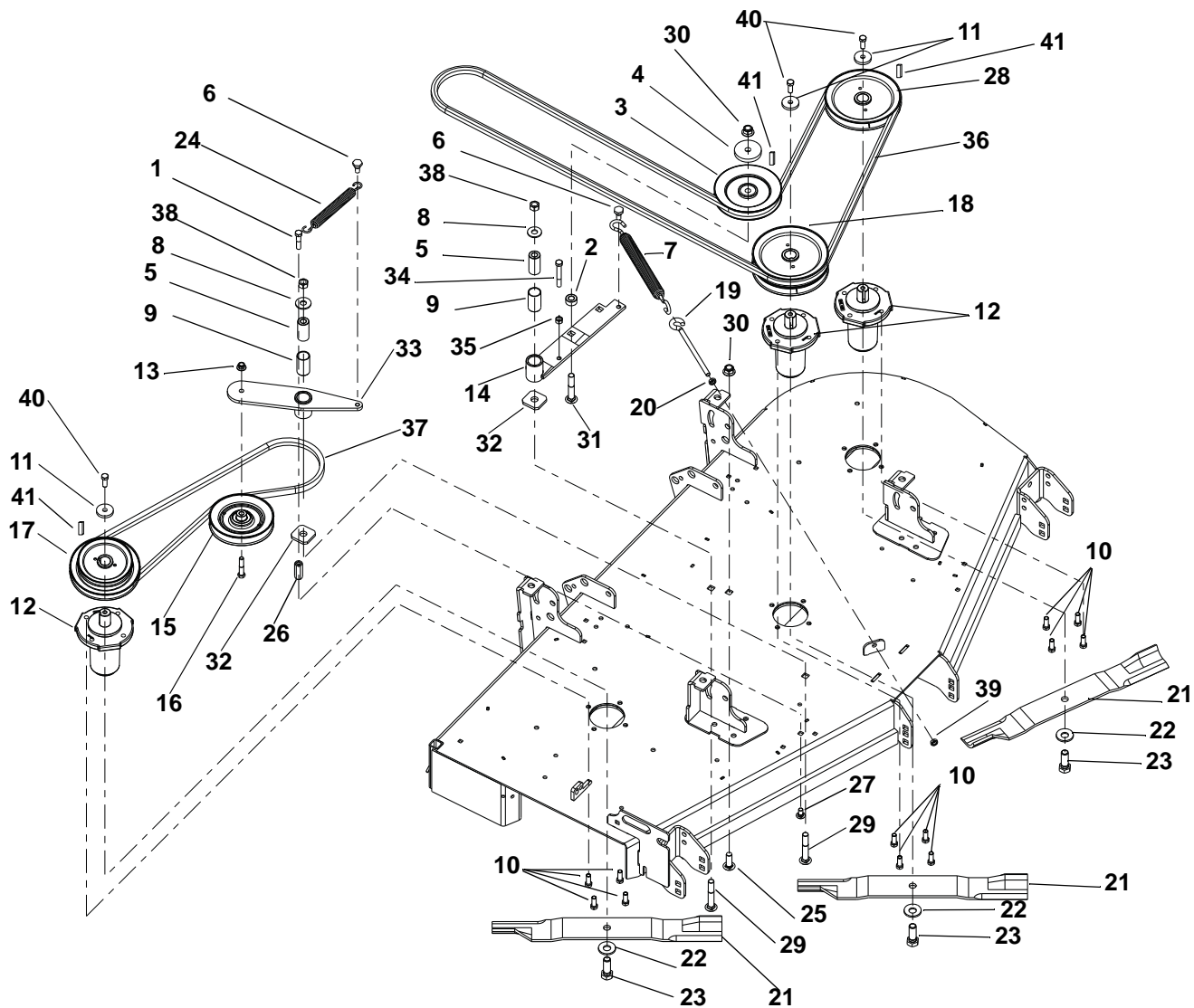
BELTS, SPINDLES, IDLERS & BLADES, 48" & 52" DECKS

Model 991079, 080, 095, 096, 102, 103

Item	Part No.	Qty	Description
1	05957900	1	Bolt, Hex .38-16 x 1.50
2	05500905	1	Bushing, Spacer .502 x .997 x .50
3	07300527	1	Sheave, .50" ID x 6.00" OD V-Idler
4	00450100	1	Cap, Idler Bearing Sealing
5	01581700	2	Bushing, Spacer .505/.500 x .999/.996 x 2.05/2.03
6	07000034	1	Bolt, Shoulder EP .38-16 x .30 Hex
7	08300505	1	Spring, Extension (Deck Idler)
8	06442000	2	Washer, Flat Steel .563 x 1.38 x .109
9	05500123	2	Bushing, 1.00 x 1.125 x 1.936
10	05900013	12	Bolt, Hex .38-16 x 1.00
11	04530500	3	Retainer, Sheave
12	59215400	3	Spindle Assembly
13	06529600	2	Nut, Locking Center .38-16
14	03774251	1	Weldment, Idler Arm
15	07340100	1	Idler, V-5.00"
16	05962900	1	Bolt, Hex .38-16 x 2.25
17	06436200	1	Washer, Flat Steel .406 x .812 x .065
18	07340200	1	Pulley, Double, 1" ID x 5.75" & 4.25" OD (991079, 095, 102)
	07340300	1	Pulley, Double, 1" ID x 6.00" & 4.75" (991080, 096, 103)
19	07329267	1	Pulley, Double, 1" ID x 5.75" OD (991079, 095, 102)
	07332367	1	Pulley, Double (991080, 096, 103)
20	07001604	1	Bolt, .38-16 x 5.50 .62 Diameter Eye
21	06535900	1	Nut, Hex, Jam .375-16
22	00450200	3	Blade, 16.19" Mower (991079, 095, 102)
	00273000	3	Blade, Mulch 16.25" (991079, 095, 102)
	00450300	3	Blade, 18.00" Mower (Hi-Lift) (991080, 096, 103)
	00273100	3	Blade, Mulch 18.00" (991080, 096, 103)
23	06445700	3	Washer, Bellville .63 x 1.625 x .14
24	05978900	3	Bolt, Hex .62-18 x 1.75 Grade 8 (Torque to 115 – 125 ft. lbs., 155 – 169 N-m)
25	08300507	1	Spring, Extension
26	06200006	1	Bolt, Round Head Square Neck .50-13 x 1.5, Full Thread
27	06533500	1	Nut, Coupling .375-16 x 1.75
28	06212000	1	Bolt, Round Head Square Neck .38-16 x 1.00
29	07329367	1	Pulley, V, 1" ID x 5.75" OD (991079, 095, 102)
	07332167	1	Pulley, Single, 1" ID x 6" OD (991080, 096, 103)
30	06200012	2	Bolt, Round Head Square Neck .50-13 x 3.25 G5YZ
31	06500010	4	Nut, .50-13 Nyloc Flange
32	06224900	1	Bolt, Round Head Square Neck .50-13 x 3.00
33	06400829	2	Washer, Flat .640 x 1.75 x .250
34	03774151	1	Weldment, Idler Arm
35	05961400	1	Bolt, Hex .38-16 x 2.75
36	06529400	1	Nut, Hex .38-16
37	07200024	1	Belt, BB 118.00 Wrapped Hex (991079, 095, 102)
	07200509	1	Belt, BB 123.50 Wrapped Hex (991080, 096, 103)
38	07200035	1	Belt, B 51.18 Raw Cogged (991079, 095, 102)
	07200036	1	Belt, B 56.00 Raw Cogged (991080, 096, 103)
39	06536300	2	Nut, Locking Center .50-13
40	06537200	1	Nut, Lock Center Jam .375-16
41	05963000	3	Bolt, Hex .38-16 x 2.75 Grade 8
42	06611200	3	Key, Square .25 x .25 x 1.00

BELTS, SPINDLES, IDLERS & BLADES, 60" DECK

Model 991081, 097, 104



Belts_Spindles_60in_G

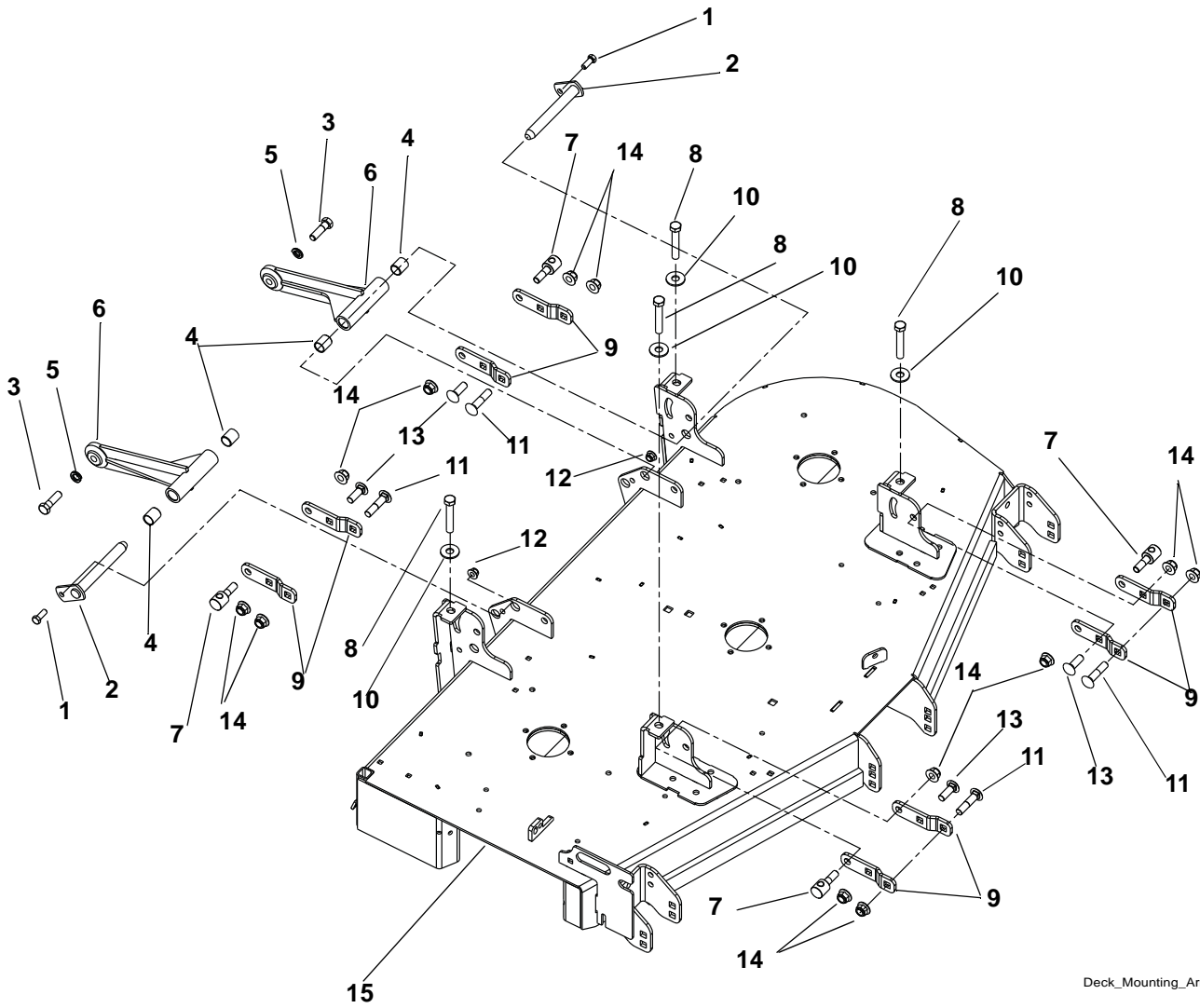
BELTS, SPINDLES, IDLERS & BLADES, 60" DECK

Model 991081, 097, 104

Item	Part No.	Qty	Description
1	05957900	1	Bolt, Hex .38-16 x 1.50
2	05500905	1	Bushing, Spacer .502 x .997 x .50
3	07300527	1	Sheave, .50" ID x 6.00" OD V-Idler
4	00450100	1	Cap, Idler Bearing Sealing
5	01581700	2	Bushing, Spacer .505/.500 x .999/.996 x 2.05/2.03
6	07000034	2	Bolt, Shoulder EP .38-16 x .30 Hex
7	08300505	1	Spring, Extension (Deck Idler)
8	06442000	2	Washer, Flat Steel .563 x 1.38 x .109
9	05500123	2	Bushing, 1.00 x 1.125 x 1.936
10	05900013	12	Bolt, Hex .38-16 x 1.00
11	04530500	3	Retainer, Sheave
12	59215400	3	Spindle Assembly
13	06545500	1	Nut, Locking Nylon Flange .38-16
14	03774251	1	Weldment, Idler Arm
15	D28050	1	Pulley, Flat Idler Engine to Deck
16	05963300	1	Bolt, Hex .38-16 x 2.00
17	07340400	1	Pulley, Double 1" ID x 6.75" & 5.25" OD
18	07328867	1	Pulley, Double 1" ID x 6.75" OD
19	07001604	1	Bolt, .38-16 x 5.50 .62 Diameter Eye
20	06535900	1	Nut, Hex Jam .375-16
21	09081200	3	Blade, 20.50" Mower
	08866900	3	Blade, Mulch 20.50"
22	06445700	3	Washer, Bellville .63 x 1.625 x .14
23	05978900	3	Bolt, Hex .62-18 x 1.75 Grade 8 (Torque to 115-125 ft. lbs., 155 – 169 N-m)
24	08300507	1	Spring, Extension
25	06200006	1	Bolt, Round Head Square Neck .50-13 x 1.5, Full Thread
26	06533500	1	Nut, Coupling .375-16 x 1.75
27	06212000	1	Bolt, Round Head Square Neck .38-16 x 1.00
28	07328967	1	Pulley, V, 1" ID x 6.75" OD
29	06200012	2	Bolt, Round Head Square Neck .50-13 x 3.25
30	06500010	2	Nut, .50-13 Nyloc Flange
31	06224900	1	Bolt, Round Head Square Neck .50-13 x 3.00
32	06400829	2	Washer, Flat .640 x 1.75 x .250
33	04519551	1	PT160 Deck Idler Arm Weldment, Black
34	05961400	1	Bolt, Hex .38-16 x 2.75
35	06529400	1	Nut, Hex .38-16
36	07200510	1	Belt, 133.00 Wrapped Hex
37	07200038	1	Belt, B 63.00 Raw Cogged
38	06536300	2	Nut, Locking Center .50-13
39	06537200	1	Nut, Lock Center Jam .375-16
40	05963000	3	Bolt, Hex .38-16 x 2.75 Grade 8
41	06611200	3	Key, Square .25 x .25 x 1.00

DECK & MOUNTING ARMS

Model 991079, 080, 081, 095, 096, 097, 102, 103, 104



Deck_Mounting_Arms

DECK & MOUNTING ARMS

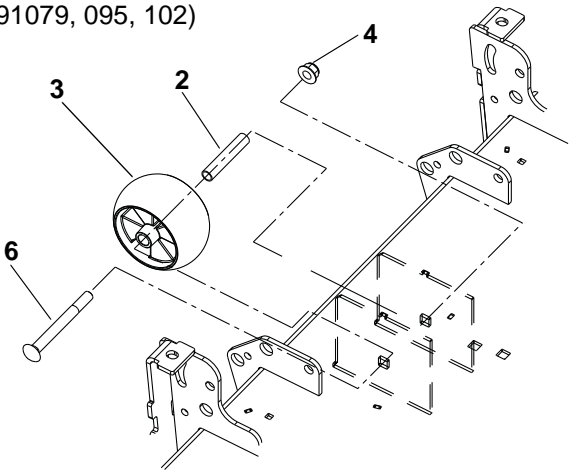
Model 991079, 080, 081, 095, 096, 097, 102, 103, 104

Item	Part No.	Qty	Description
1	05948700	2	Bolt, Hex .38-16 x 1.00
2	09238900	2	Weldment, Mower Mounting Pin
3	05901436	2	Bolt, Hex .50-13 x 1.75 Grade 5 EP80
4	05435900	4	Bearing, .75 x .875 x 1.00
5	06307300	2	Washer, Locking .50 x .125 Regular
6	04243551	2	Deck Pusher Arm Weldment, Black
7	03972000	4	Trunnion, .50-13
8	05901421	4	Bolt, Hex .50-13 x 3.00
9	03966200	8	Bracket, Deck Leveling
10	06442000	4	Washer, Flat Steel .563 x 1.38 x .109
11	06200119	4	Bolt, Round Head Square Neck .50-13 x 2.25
12	06545500	2	Nut, Locking Nylon Flange .38-16
13	06223100	4	Bolt, Round Head Square Neck .50-13 x 1.50
14	06500010	12	Nut, Locking Nylon Flange .50-13
15	04531653	1	Weldment, 48" Side Discharge Deck (991079, 095, 102)
	04546253	1	Weldment, 52" Side Discharge Deck (991080, 096, 103)
	04546453	1	Weldment, 60" Side Discharge Deck (991081, 097, 104)

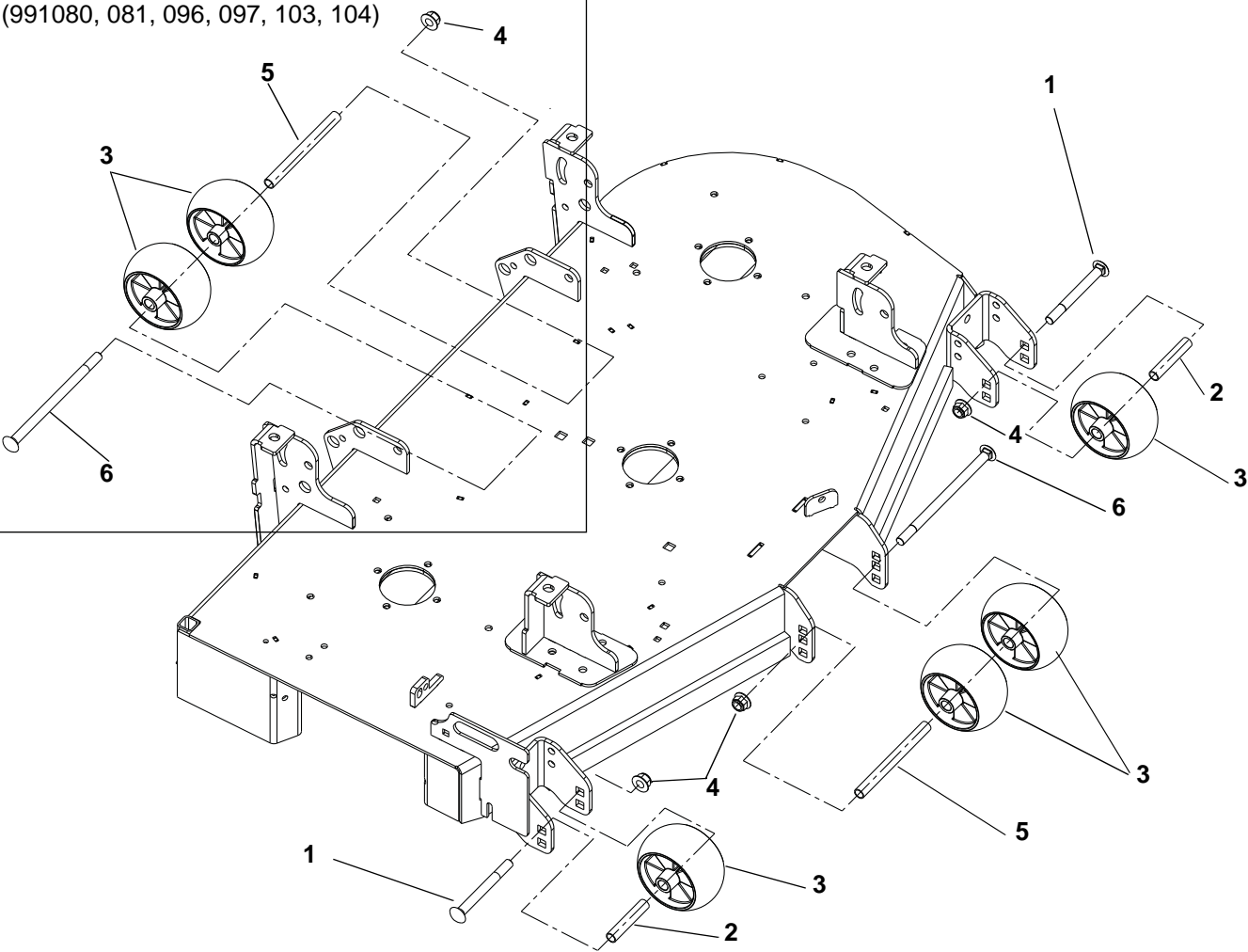
ANTI-SCALP ROLLERS

Model 991079, 080, 081, 095, 096, 097, 102, 103, 104

(991079, 095, 102)



(991080, 081, 096, 097, 103, 104)



PE100_G_deck_wheels

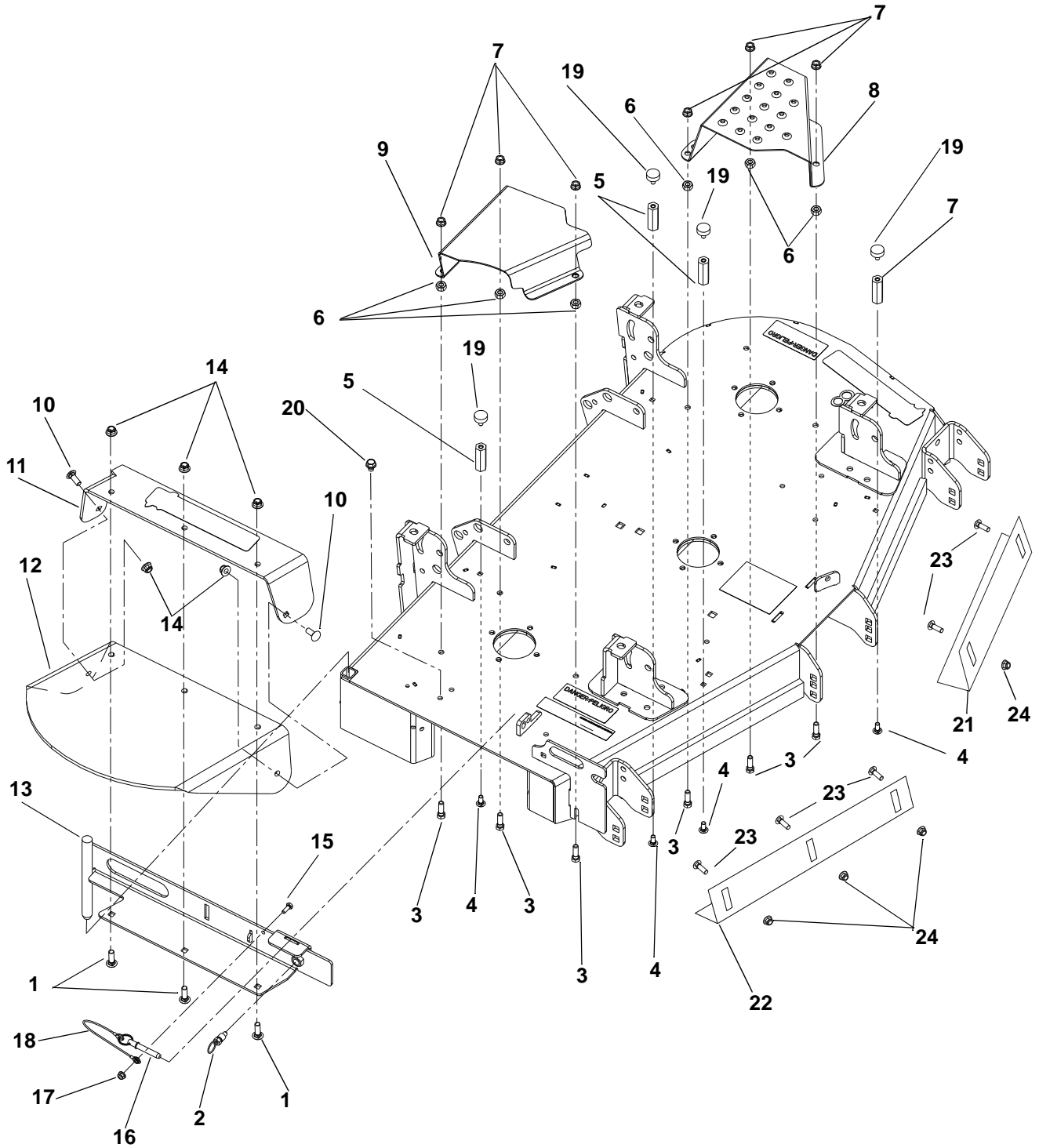
ANTI-SCALP ROLLERS

Model 991079, 080, 081, 095, 096, 097, 102, 103, 104

Item	Part No.	Qty	Description
1	06225900	3	Bolt, Round Head Square Neck .50-13 x 5.00 (991079, 095, 102)
	06225900	2	Bolt, Round Head Square Neck .50-13 x 5.00 (991080, 081, 096, 097, 103, 104)
2	00473700	3	Spacer, .510 x .625 x 3.35 (991079, 095, 102)
	00473700	2	Spacer, .510 x .625 x 3.35 (991080, 081, 096, 097, 103, 104)
3	03905900	5	Anti-Scalp Wheel (991079, 095, 102)
	03905900	6	Anti-Scalp Wheel (991080, 081, 096, 097, 103, 104)
4	06500010	4	Nut, Nyloc Flange .50-13
5	00473800	1	Spacer, .510 x .625 x 6.70 (991079, 095, 102)
	00473800	2	Spacer, .510 x .625 x 6.70 (991080, 081, 096, 097, 103, 104)
6	06206400	1	Bolt, Round Head Square Neck .50-13 x 8.50 (991079, 095, 102)
	06206400	2	Bolt, Round Head Square Neck .50-13 x 8.50 (991080, 081, 096, 097, 103, 104)

DISCHARGE CHUTE & BELT COVERS

Model 991079, 080, 081, 095, 096, 097, 102, 103, 104



Discharge Chute_Belt_Covers_G

DISCHARGE CHUTE & BELT COVERS

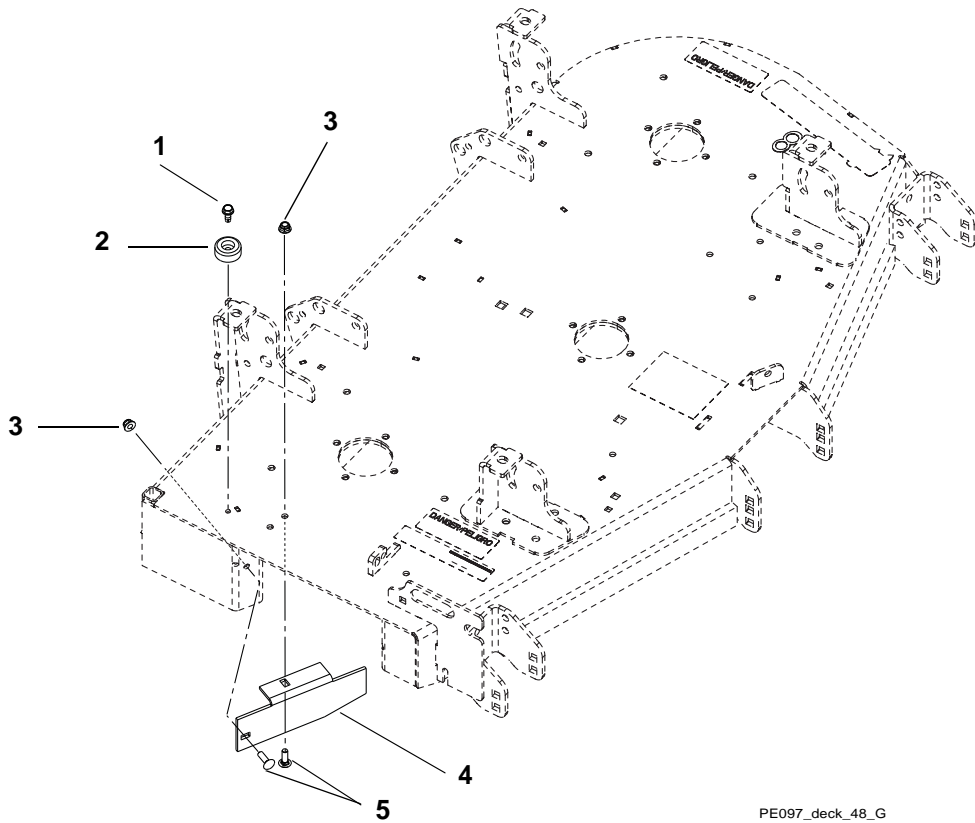
Model 991079, 080, 081, 095, 096, 097, 102, 103, 104

Item	Part No.	Qty	Description
1	06224100	3	Bolt, Round Head Square Neck .38-16 x 1.25
2	07000037	1	Pull Pin
3	05958000	6	Bolt, Hex .38-16 x 1.25
4	06200002	4	Bolt, Round Head Square Neck .31-18 x .75
5	07000027	4	Nut, Coupling .31-18 x 3.00
6	07001525	6	Nut, Heavy Hex .38-16
7	06534900	6	Nut, Flange .375-16
8	03977151	1	Guard, Left Hand Deck Belt, 44 – 52 (991079, 080, 095, 096, 102, 103)
	03977251	1	Guard, Left Hand Deck Belt, 60 (991081, 097, 104)
9	04590251	1	Guard, Right Hand Deck Belt, 48 – 52 (991079, 080, 095, 096, 102, 103)
	03982251	1	Guard, Right Hand Deck Belt, 60 – 66 (991081, 097, 104)
10	06223600	2	Bolt, Round Head Square Neck .38-16 x 1.00
11	04551553	1	Rubber Discharge Chute Support
12	04551600	1	Chute, Rubber Discharge
13	00472453	1	Weldment, Discharge Chute Support, 48" (991079, 095, 102)
	00472553	1	Weldment, Discharge Chute Support, 52" – 60" (991080, 081, 096, 097, 103, 104)
14	06545500	5	Nut, .38-16 Nyloc Flange
15	05946800	1	Bolt, Hex .25-20 x .75 (991079, 095, 102)
16	01593500	1	Pin, Spring Ball .375OD x 1.50 (991079, 095, 102)
17	06543500	1	Nut, Locking Top Flange .25-20 (991079, 095, 102)
18	06900321	1	Cable, 6.0 Lanyard, Nylon (991079, 095, 102)
19	07533600	4	Bumper, Rubber
20	07412900	1	Screw, Self Tapping .38-16 x .50
21	04551051	1	Baffle, 48" Left Hand Vacuum (991079, 095, 102)
	00952951	1	Baffle, 52" Left Hand Vacuum (991080, 096, 103)
	00952651	1	Baffle, 60" Left Hand Vacuum (991081, 097, 104)
22	04550951	1	Baffle, 48" Right Hand Vacuum (991079, 095, 102)
	00952851	1	Baffle, 52" Right Hand Vacuum (991080, 096, 103)
	00952551	1	Baffle, 60" Right Hand Vacuum (991081, 097, 104)
23	06215700	5	Bolt, Round Head Square Neck .31-18 x .75 Grade 5
24	06530200	5	Nut, Lock Nyloc .312-18

DISCHARGE CHUTE STORAGE

Model 991079, 095, 102

48" Deck



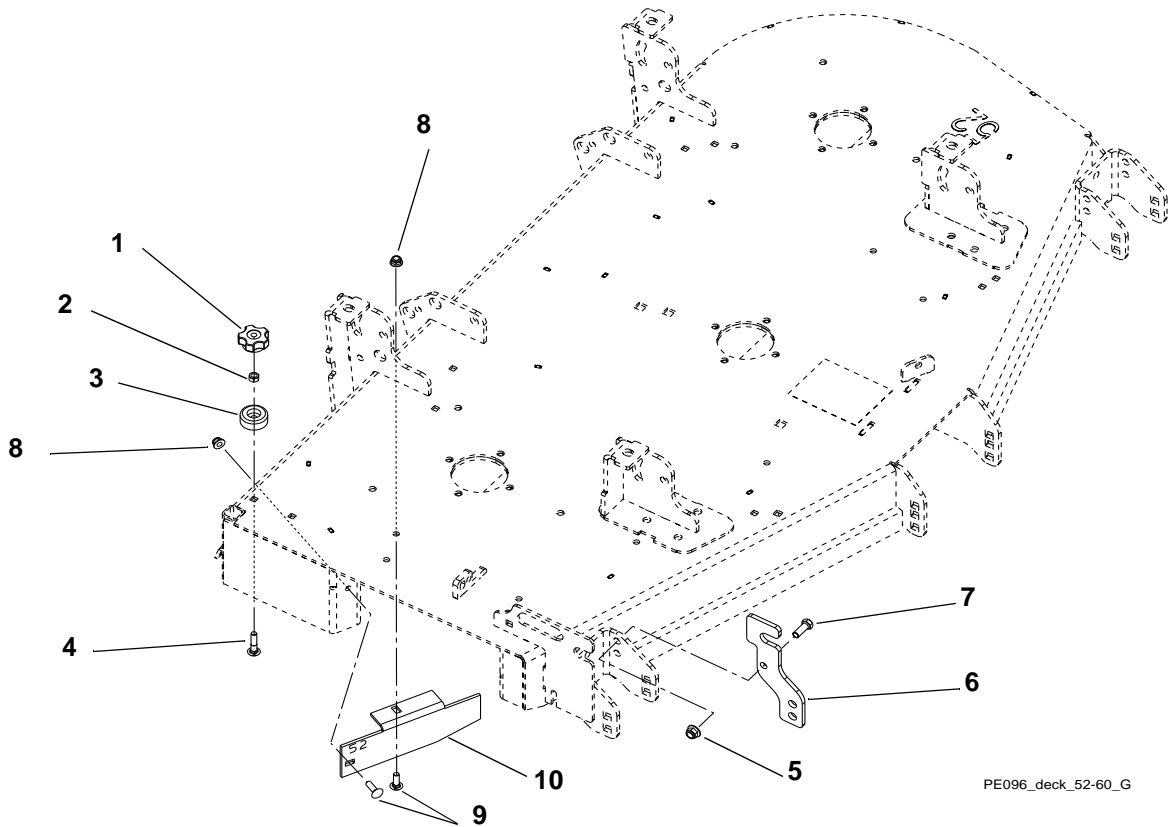
PE097_deck_48_G

Item	Part No.	Qty	Description
1	07414400	1	Screw, Tapping .31-18 x .75 Hex Washer Head
2	07500009	1	Bumper, Recessed 1.50 x .63 w/.31 Thru Hole
3	06545400	2	Nut, Locking Nyloc Flange .31-18
4	00451653	1	Discharge Baffle
5	06216100	2	Bolt, Round Head Square Neck .31-18 x 1.00

DISCHARGE CHUTE STORAGE

Model 991080, 081, 096, 097, 103, 104

52" & 60" Deck

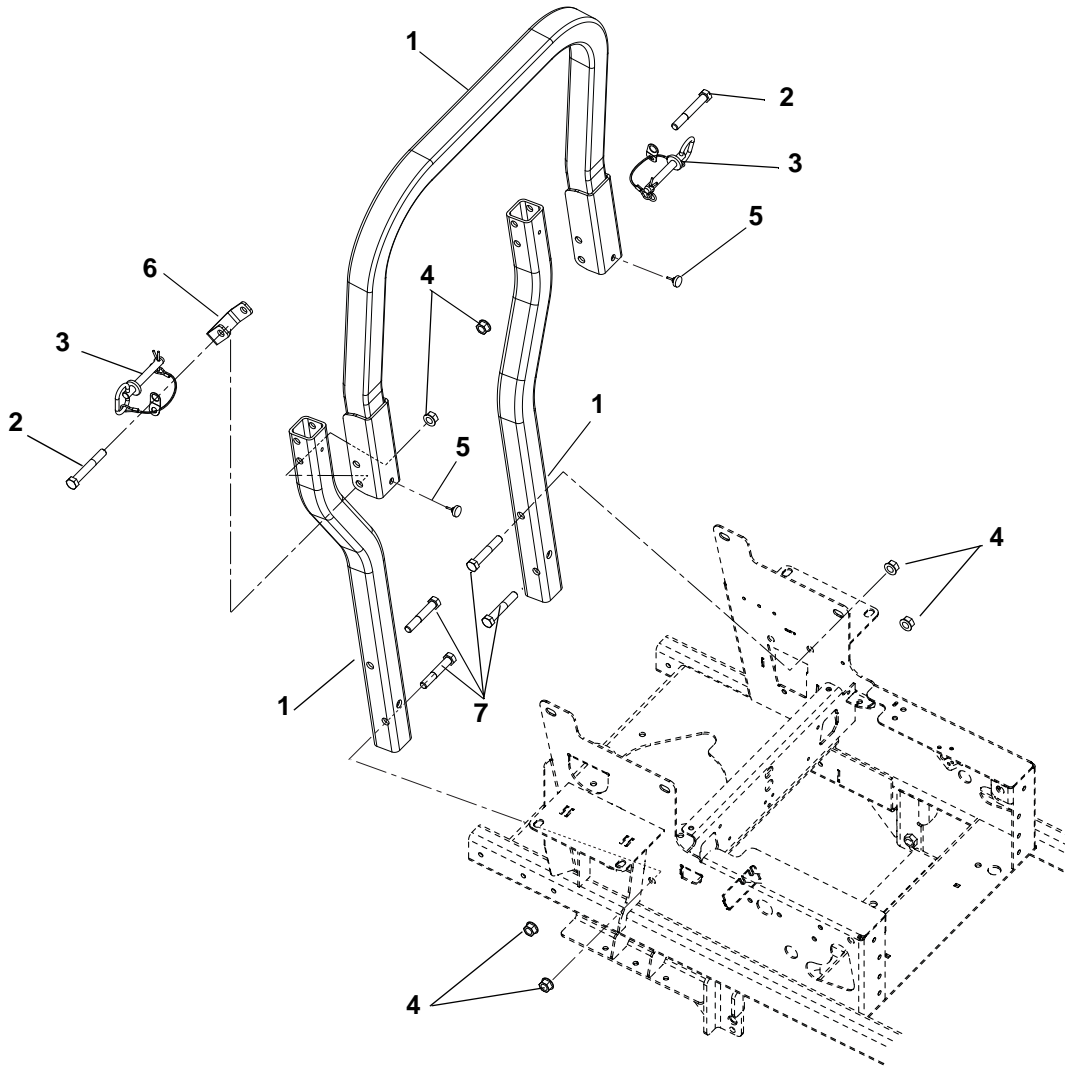


PE096_deck_52-60_G

Item	Part No.	Qty	Description
1	07534800	1	Knob, Clamping, .312-18 Nyloc
2	06529800	1	Nut, Locking Center .31-18
3	07500009	1	Bumper, Recessed 1.50 x .63 w/.31 Thru Hole
4	06212100	1	Bolt, Round Head Square Neck .31-18 x 1.50
5	06545500	1	Nut, .38-16 Nyloc Flange
6	00474753	1	Chute Storage Bracket
7	05948700	1	Bolt, Hex .38-16 x 1.00
8	06545400	2	Nut, Locking Nyloc Flange .31-18
9	06216100	2	Bolt, Round Head Square Neck .31-18 x 1.00
10	00440853	1	Discharge Baffle (991080, 096, 103)
	00374153	1	Discharge Baffle (991081, 097, 104)

ROPS

Model 991079, 080, 081, 095, 096, 097, 102, 103, 104



PE130_G_rops

Item	Part No.	Qty.	Description
1	59101600	1	ROPS, PT100 Replacement
2	05965800	2	Bolt, Hex .50-13 x 3.50
3	04063400	2	Assembly, ROPS Pin/Lanyard
4	06543600	6	Nut, Locking Top Flange .50-13
5	04063500	2	Bumper, ROPS Rubber
	00181592	2	Knob, Round .312-18 x .75
6	04063600	1	Bracket, ROPS Stop, Pro-Turn
7	05959900	4	Bolt, Hex .50-13 x 3.00



GRAVELY
655 West Ryan Street
Brillion, WI 54110
920-756-4688
Fax 920-756-2407
www.gravelly.com

An *Ariens* Company Brand