

Genie®

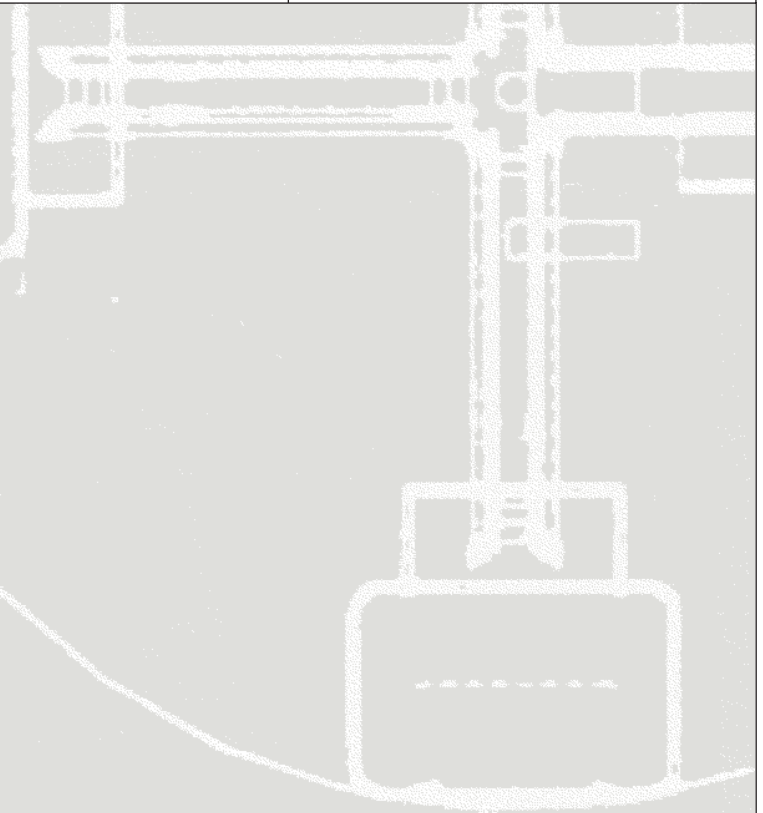


Operator's Manual

with Maintenance Information

Second Edition
Third Printing
Part No. 82233

GS™-2668 RT
GS™-3268 RT



Important

Read, understand and obey these safety rules and operating instructions before operating this machine. Only trained and authorized personnel shall be permitted to operate this machine. This manual should be considered a permanent part of your machine and should remain with the machine at all times. If you have any questions, please call Genie Industries.

Contents

	Page
Safety	1
Legend	7
Controls	8
Pre-operation Inspection	11
Maintenance	13
Function Tests	16
Work Place Inspection	19
Operating Instructions	20
Transport Instructions	23
Decals	24
Specifications	26

Contact us:

Internet: <http://www.genielift.com>
 e-mail: techpub@genieind.com


Copyright © 1998 by Genie Industries

First Edition: Ninth Printing, October 2000

Second Edition: Third Printing, January 2003

"Genie" is a registered trademark of Genie Industries in the U.S.A. and many other countries. "GS" is a trademark of Genie Industries.

These machines comply with
 ANSI/SIA 92.6-1999.

 Printed on recycled paper

Printed in U.S.A.

Safety Rules



Danger

Failure to obey the instructions and safety rules in this manual will result in death or serious injury.

Do Not Operate Unless:

- You learn and practice the principles of safe machine operation contained in this operator's manual.

1 Avoid hazardous situations.

Know and understand the safety rules before going on to the next section.

2 Always perform a pre-operation inspection.

3 Always perform function tests prior to use.

4 Inspect the workplace.

5 Only use the machine as it was intended.

- You read, understand and obey:

Manufacturer's instructions and safety rules—safety and operator's manuals and machine decals

employer's safety rules and worksite regulations

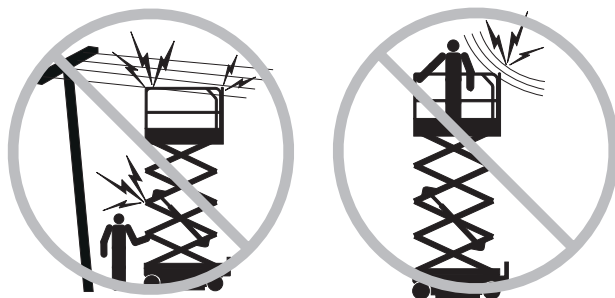
applicable governmental regulations

- You are properly trained to safely operate the machine.

SAFETY RULES

Electrocution Hazards

This machine is **not** electrically insulated and will **not** provide protection from contact with or proximity to electrical current.



Maintain safe distances from electrical power lines and apparatus in accordance with applicable governmental regulations and the following chart.

Voltage Phase to Phase	Minimum Safe Approach Distance	
	Feet	Meters
0 to 300V	Avoid Contact	
300V to 50KV	10	3.05
50KV to 200KV	15	4.60
200KV to 350KV	20	6.10
350KV to 500KV	25	7.62
500KV to 750KV	35	10.67
750KV to 1000KV	45	13.72

Allow for platform movement, electrical line sway or sag and beware of strong or gusty winds.

Keep away from the machine if it contacts energized power lines. Personnel on the ground or in the platform must not touch or operate the machine until energized power lines are shut off.

Do not operate the machine during lightning or storms.

Do not use the machine as a ground for welding.

Tip-over Hazards

Occupants, equipment and materials shall not exceed the maximum platform capacity or the maximum capacity of the platform extension.

Maximum capacity - GS-2668RT		
Platform retracted	1250 lbs	567 kg
Platform extended - Platform only	950 lbs	431 kg
Platform extended - Extension only	300 lbs	136 kg
Maximum occupants - ANSI and CSA	4	
Maximum occupants - CE	4	
Outdoor use	4	
Indoor use only	4	



1250 lbs / 567 kg Extension only Platform only
300 lbs / 136 kg 950 lbs / 431 kg

Maximum capacity - GS-3268RT		
Platform retracted	1000 lbs	454 kg
Platform extended - Platform only	700 lbs	318 kg
Platform extended - Extension only	300 lbs	136 kg
Maximum occupants - ANSI and CSA	4	
Maximum occupants - CE	4	
Outdoor use	2	
Indoor use only	4	



1000 lbs / 454 kg Extension only Platform only
300 lbs / 136 kg 700 lbs / 318 kg

SAFETY RULES

Do not alter or disable the limit switches.

Do not drive over 0.5 mph / 0.8 km/h with the platform raised.

Models without outriggers: Do not raise the platform unless the machine is on a firm, level surface.



Models with outriggers: Do not lower the outriggers unless the machine is on a firm surface. Avoid drop-offs, holes, unstable or slippery surfaces and other possible hazardous conditions.

Models with outriggers: Do not raise the platform unless the machine is level. Do not set the machine up on a surface where it cannot be leveled using only the outriggers.

Models with outriggers: Use common sense and planning when lowering the outriggers on a slope. The steer end outriggers must be lowered first.

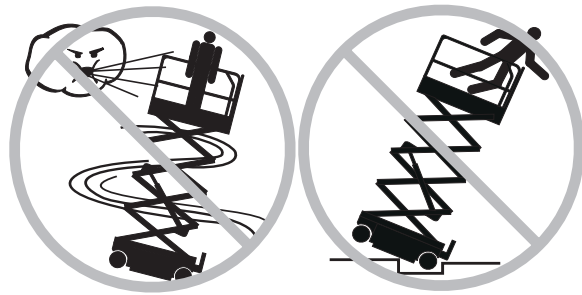
Do not use the platform controls to free a platform that is caught, snagged or otherwise prevented from normal motion by an adjacent structure. All personnel must be removed from the platform before attempting to free the platform using the ground controls.

Do not depend on the tilt alarm as a level indicator. The tilt alarm sounds on the chassis and in the platform when the machine is on a severe slope.

If the tilt alarm sounds:

Lower the platform. Move the machine to a firm, level surface. If the tilt alarm sounds when the platform is raised, use extreme caution to lower the platform.

Do not operate the machine in strong or gusty winds. Do not increase the surface area of the platform or the load. Increasing the area exposed to the wind will decrease machine stability.



Do not drive the machine on or near uneven terrain, unstable surfaces or other hazardous conditions with the platform raised.

Use extreme care and slow speeds while driving the machine in the stowed position across uneven terrain, debris, unstable or slippery surfaces and near holes and drop-offs.

SAFETY RULES



Do not push off or pull toward any object outside of the platform.

Do not place or attach fixed or overhanging loads to any part of this machine.

Do not transport tools and materials unless they are evenly distributed and can be safely handled by person(s) in the platform.



Do not place ladders or scaffolds in the platform or against any part of this machine.

Do not use the machine on a moving or mobile surface or vehicle.

Be sure all tires are in good condition, castle nuts are properly tightened and cotter pins are properly installed.

Do not use the machine as a crane.

Do not push the machine or other objects with the platform.

Do not contact adjacent structures with the platform.

Do not tie the platform to adjacent structures.

Do not place loads outside the platform perimeter.

GS-2668 RT

ANSI & CSA - 4 person	200 lbs / 890 N
CE - Indoor use only - 4 person	90 lbs / 400 N
CE - Outdoor use - 4 person	90 lbs / 400 N
Australia - Indoor use only - 4 person	90 lbs / 400 N
Australia - Outdoor use - 4 person	90 lbs / 400 N

GS-3268 RT

ANSI & CSA - 4 person	200 lbs / 890 N
CE - Indoor use only - 4 person	90 lbs / 400 N
CE - Outdoor use - 2 person	90 lbs / 400 N
Australia - Indoor use only - 4 person	90 lbs / 400 N
Australia - Outdoor use - 2 person	90 lbs / 400 N

Do not alter or disable machine components that in any way affect safety and stability.

Do not replace items critical to machine stability with items of different weight or specification.

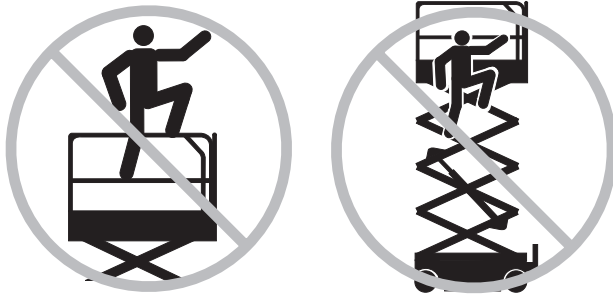
Do not modify or alter an aerial work platform without prior written permission from the manufacturer. Mounting attachments for holding tools or other materials onto the platform, toeboards or guard rail system can increase the weight in the platform and the surface area of the platform or the load.

SAFETY RULES

Fall Hazards

The guardrail system provides fall protection. If occupant(s) of the platform are required to wear personal fall protection equipment (PFPE) due to job site or employer rules, PFPE equipment and its use shall be in accordance with the PFPE manufacturer's instructions and applicable governmental requirements.

Do not sit, stand or climb on the platform guard rails. Maintain a firm footing on the platform floor at all times.



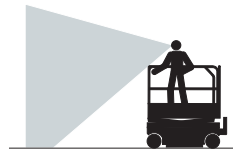
Do not climb down from the platform when raised.

Keep the platform floor clear of debris.

Close the entry gate before operating.

Do not operate the machine unless the guard rails are properly installed and the entry is secured for operation.

Collision Hazards



Be aware of limited sight distance and blind spots when driving or operating.

Be aware of extended platform position when moving the machine.

Machine must be on level surface or secured before releasing the brakes.

Operators must comply with employer, job site and governmental rules regarding use of personal protective equipment.

Check work area for overhead obstructions or other possible hazards.



Be aware of crushing hazard when grasping the platform guard rail.

Observe and use color-coded direction arrows on the platform controls and platform decal plate for drive and steer functions.

SAFETY RULES

Do not operate a machine in the path of any crane or moving overhead machinery unless the controls of the crane have been locked out and/or precautions have been taken to prevent any potential collision.

No stunt driving or horseplay while operating a machine.

Do not lower the platform unless the area below is clear of personnel and obstructions.



Limit travel speed according to the condition of the ground surface, congestion, slope, location of personnel and any other factors which may cause collision.

Component Damage Hazards

Do not use any battery or charger greater than 12V to jump-start the engine.

Do not use the machine as a ground for welding.

Machines equipped with hydraulic shutoff valves: Be sure the valves (located by the hydraulic tank) are open before starting the engine.

Explosion and Fire Hazards

Do not start the engine if you smell or detect liquid petroleum gas (LPG), gasoline, diesel fuel or other explosive substances.

Do not refuel the machine with the engine running.

Refuel the machine and charge the battery only in an open, well-ventilated area away from sparks, flames and lighted tobacco.

Do not operate the machine in hazardous locations or locations where potentially flammable or explosive gases or particles may be present.

Damaged Machine Hazards

Do not use a damaged or malfunctioning machine.

Conduct a thorough pre-operation inspection of the machine and test all functions before each work shift. Immediately tag and remove from service a damaged or malfunctioning machine.

Be sure all maintenance has been performed as specified in this manual and the appropriate Genie service manual.

Be sure all decals are in place and legible.

Be sure the operator's, safety and responsibilities manuals are complete, legible and in the storage container located on the platform.

SAFETY RULES

Crushing Hazards

Keep hands and limbs out of scissors.

Use common sense and planning when operating the machine with the controller from the ground. Maintain safe distances between the operator, the machine and fixed objects.

Maintain a firm grasp on the platform rail when pulling the snap pin. Do not allow the platform guard rails to fall.

Bodily Injury Hazard

Always operate the machine in a well-ventilated area to avoid carbon monoxide poisoning.

Do not operate the machine with a hydraulic oil or air leak. An air leak or hydraulic leak can penetrate and/or burn skin.

Decal Legend

Genie product decals use symbols, color coding and signal words to identify the following:



Safety alert symbol—used to alert personnel to potential personal injury hazards. Obey all safety messages that follow this symbol to avoid possible injury or death.

▲ DANGER

Red—used to indicate the presence of an imminently hazardous situation which, if not avoided, will result in death or serious injury.

▲ WARNING

Orange—used to indicate the presence of a potentially hazardous situation which, if not avoided, could result in death or serious injury.

▲ CAUTION

Yellow with safety alert symbol—used to indicate the presence of a potentially hazardous situation which, if not avoided, may cause minor or moderate injury.

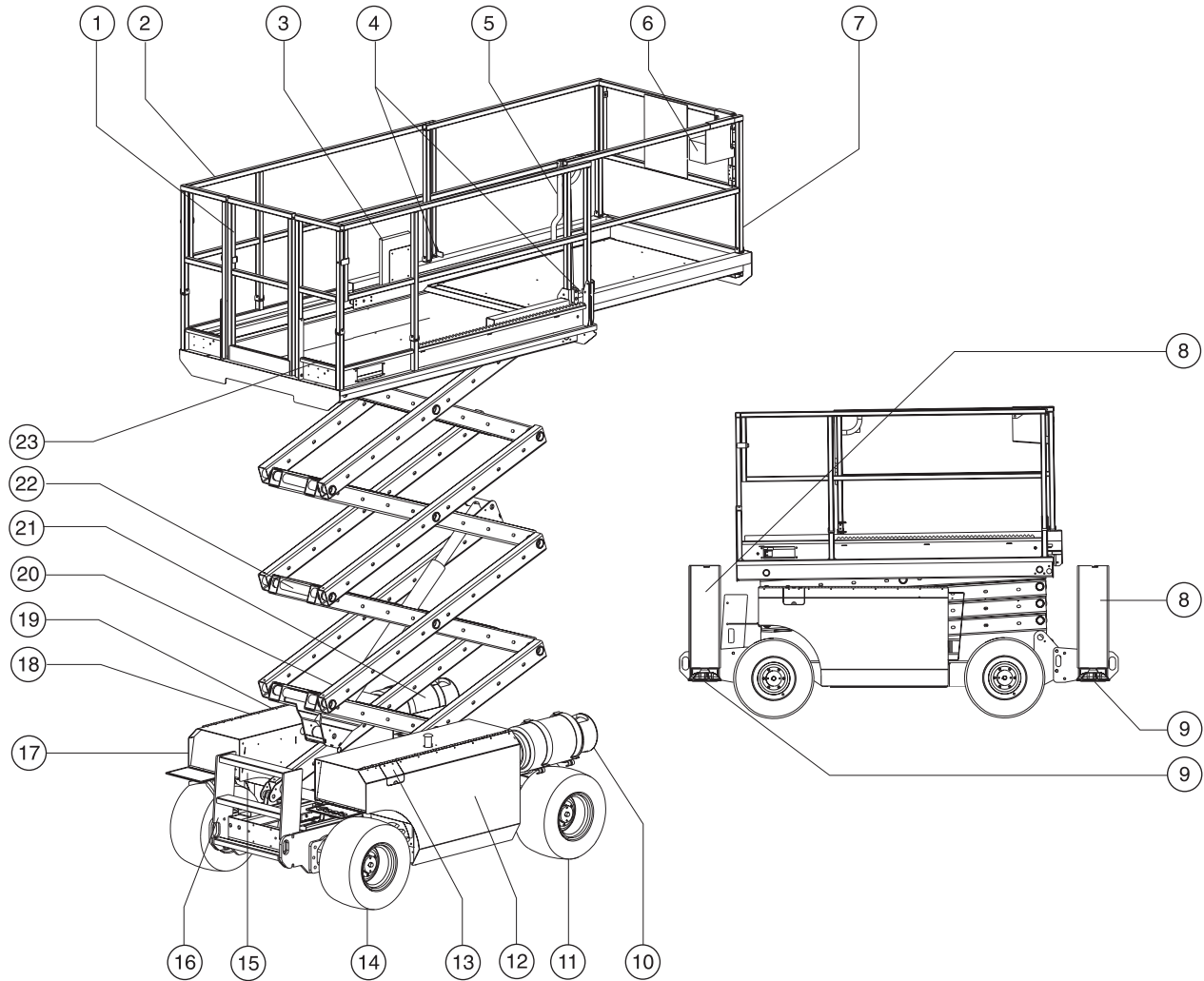
CAUTION

Yellow without safety alert symbol—used to indicate the presence of a potentially hazardous situation which, if not avoided, may result in property damage.

NOTICE

Green—used to indicate operation or maintenance information.

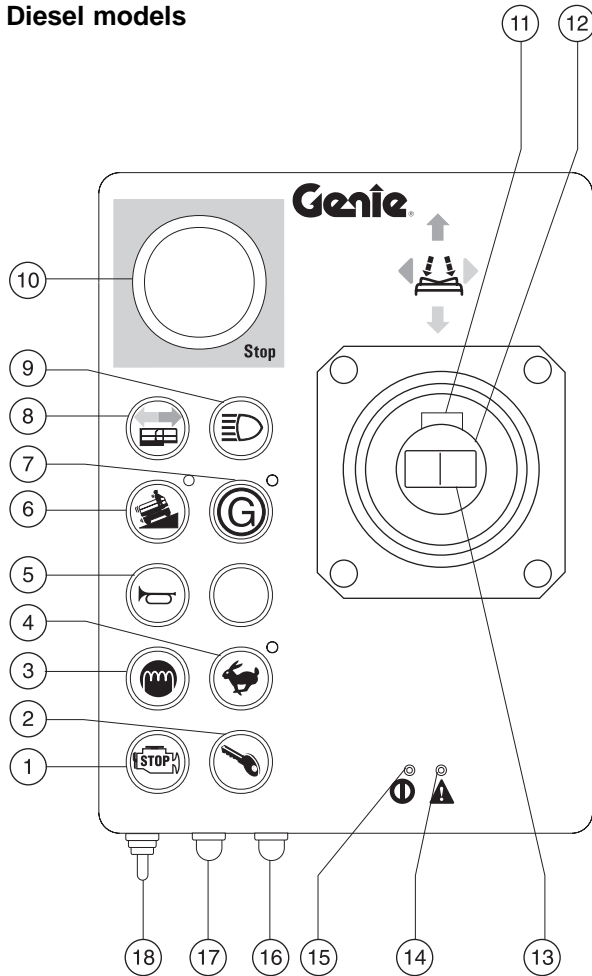
Legend



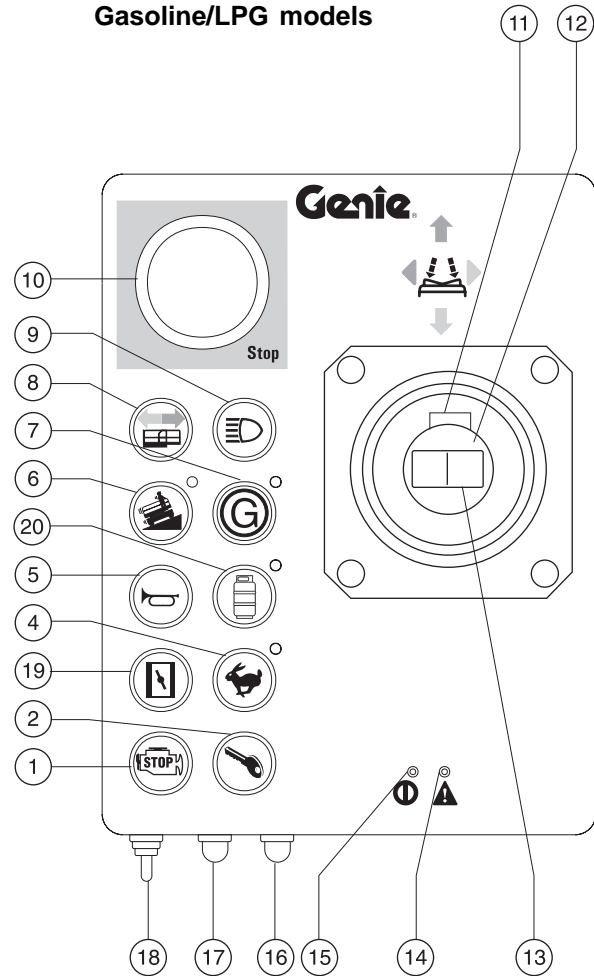
- | | | |
|---|--|--|
| 1 Platform entry gate | 10 LPG tank | 19 Hydraulic oil level indicator (under cover) |
| 2 Platform guard rails | 11 Steer tire | 20 Brake release pump knob and brake release knob (hidden from view in this picture) |
| 3 Manual storage container | 12 Engine side cover | 21 LPG tank (optional) |
| 4 Lanyard anchorage point | 13 Fuel tank | 22 Safety arm |
| 5 Platform extension lock handle | 14 Non-steer tire | 23 GFCI outlet |
| 6 Platform controls | 15 Tilt alarm (under cover) | |
| 7 Platform extension | 16 Entry ladder/transport tie-down | |
| 8 Outrigger housing (if equipped with outriggers) | 17 Ground controls with manual lowering valve and LED diagnostic readout | |
| 9 Outrigger footpad (if equipped with outriggers) | 18 Ground controls side cover | |

Controls

Diesel models



Gasoline/LPG models



Platform Controls (models without outriggers)

1 Engine stop button

2 Engine start button

3 Glow plug button (Diesel models)

4 High idle button with indicator light

5 Horn button

6 Machine on incline button: Low speed operation for inclines

7 Generator select switch with indicator light

8 Platform extend/retract enable button (option)

9 Headlight/taillight button (option)

10 Red Emergency Stop button

11 Function enable switch

12 Proportional control handle for drive functions and optional platform extend/retract function

13 Thumb rocker switch for steer function

14 Error indicator light

15 Power light

16 Function enable/high speed select button for up/down function

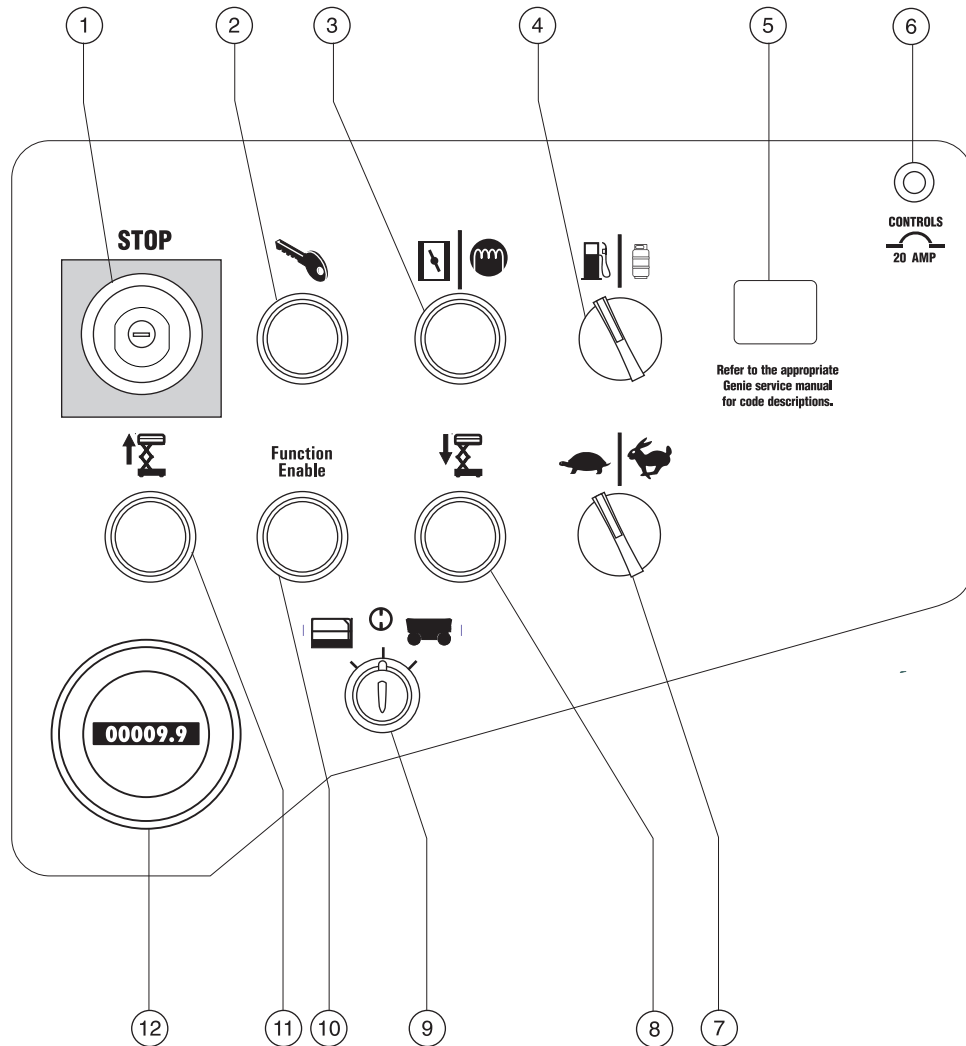
17 Function enable/low speed select button for up/down function

18 Platform up/down select switch

19 Choke button (Gasoline/LPG models)

20 LPG operation button with indicator light (Gasoline/LPG models)

CONTROLS

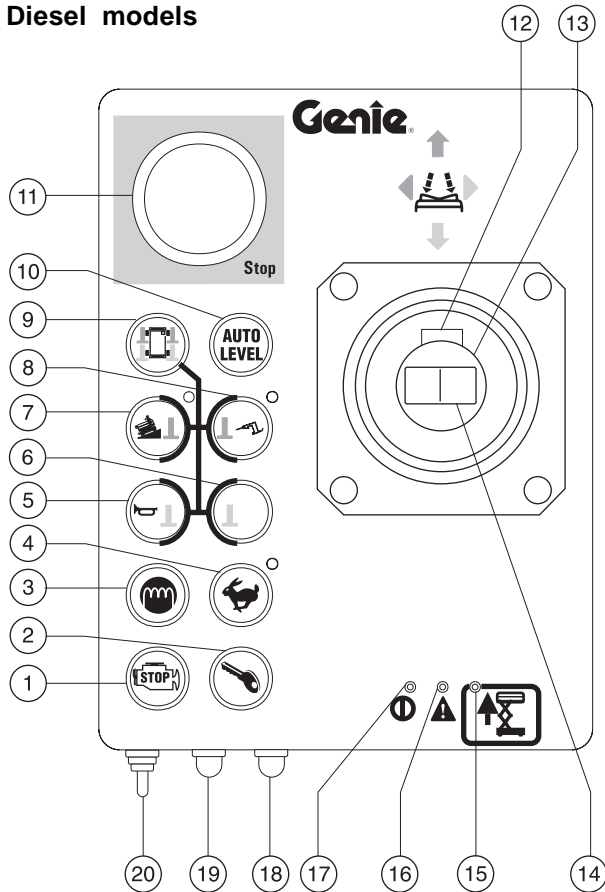


Ground Control Panel

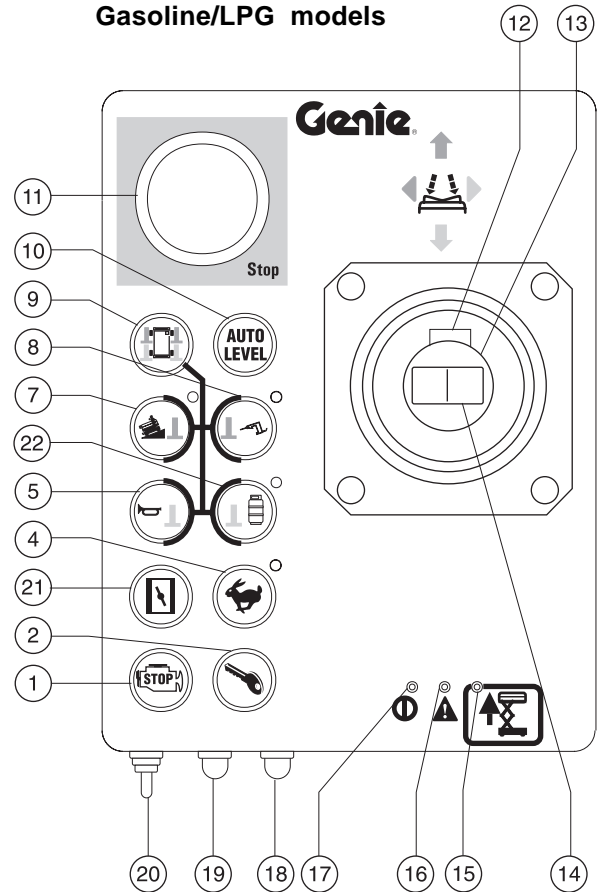
- | | | | |
|---|---|----|--|
| 1 | Red Emergency Stop button | 7 | Engine idle select switch |
| 2 | Engine start button | 8 | Platform down button |
| 3 | Choke button (Gasoline/LPG models)
Glow plug button (option - Diesel models) | 9 | Key switch for platform/off/ground control selection |
| 4 | Fuel select switch (Gasoline/LPG models) | 10 | Function enable button |
| 5 | LED diagnostic readout | 11 | Platform up button |
| 6 | 20 amp circuit breaker for controls circuit | 12 | Hour meter |

CONTROLS

Diesel models



Gasoline/LPG models



Platform Controls (if equipped with auto level outriggers)

- | | | | |
|---|--|--|--|
| 1 Engine stop button | 8 Outrigger and generator select button with indicator light | 13 Proportional control handle for drive functions and optional platform extend/retract function | 19 Function enable/low speed select button for platform up/down function |
| 2 Engine start button | 9 Outrigger function enable button | 14 Thumb rocker switch for steer function | 20 Platform up/down and outrigger up/down toggle switch |
| 3 Glow plug button (Diesel models) | 10 Outrigger auto level button | 15 Lift error indicator light | 21 Choke button (Gasoline/LPG models) |
| 4 High idle button with indicator light | 11 Red Emergency Stop button | 16 Error indicator light | 22 Outrigger and LPG operation button with indicator light (Gasoline/LPG models) |
| 5 Outrigger and horn button | 12 Function enable switch | 17 Power light | |
| 6 Outrigger button | | 18 Function enable/high speed select button for up/down function | |
| 7 Outrigger and machine on incline button: Low speed operation for inclines | | | |

Pre-operation Inspection



Do Not Operate Unless:

- You learn and practice the principles of safe machine operation contained in this operator's manual.
 - 1 Avoid hazardous situations.
 - 2 Always perform a pre-operation inspection.**
 - Know and understand the pre-operation inspection before going on to the next section.**
 - 3 Always perform function tests prior to use.
 - 4 Inspect the workplace.
 - 5 Only use the machine as it was intended.

Fundamentals

It is the responsibility of the operator to perform a pre-operation inspection and routine maintenance.

The pre-operation inspection is a visual inspection performed by the operator prior to each work shift. The inspection is designed to discover if anything is apparently wrong with a machine before the operator performs the function tests.

The pre-operation inspection also serves to determine if routine maintenance procedures are required. Only routine maintenance items specified in this manual may be performed by the operator.

Refer to the list on the next page and check each of the items and locations for modifications, damage or loose or missing parts.

A damaged or modified machine must never be used. If damage or any variation from factory delivered condition is discovered, the machine must be tagged and removed from service.

Repairs to the machine may only be made by a qualified service technician, according to the manufacturer's specifications. After repairs are completed, the operator must perform a pre-operation inspection again before going on to the function tests.

Scheduled maintenance inspections shall be performed by qualified service technicians, according to the manufacturer's specifications and the requirements listed in the responsibilities manual.

PRE-OPERATION INSPECTION

Pre-operation Inspection

- ❑ Be sure that the operator's, safety and responsibilities manuals are complete, legible and in the storage container located in the platform.
- ❑ Be sure that all decals are legible and in place. See Decals section.
- ❑ Check for engine oil leaks and proper oil level. Add oil if needed. See Maintenance section.
- ❑ Check for hydraulic oil leaks and proper oil level. Add oil if needed. See Maintenance section.
- ❑ Check for engine coolant leaks and proper level of coolant. Add coolant if needed. See Maintenance section.
- ❑ Check for battery fluid leaks and proper fluid level. Add distilled water if needed. See Maintenance section.

Check the following components or areas for damage, modifications and improperly installed or missing parts:

- ❑ Electrical components, wiring and electrical cables
- ❑ Hydraulic hoses, fittings, cylinders and manifolds
- ❑ Fuel and hydraulic tanks
- ❑ Drive motors
- ❑ Wear pads
- ❑ Tires and wheels
- ❑ Engine and related components
- ❑ Limit switches, alarms and horn
- ❑ Nuts, bolts and other fasteners

- ❑ Platform entry gate
- ❑ Beacon and alarms (if equipped)
- ❑ Brake release components
- ❑ Safety arm
- ❑ Platform extension
- ❑ Scissor pins and retaining fasteners
- ❑ Platform control joystick
- ❑ Generator (if equipped)
- ❑ Outrigger housing and footpads (if equipped)

Check entire machine for:

- ❑ Cracks in welds or structural components
- ❑ Dents or damage to machine
- ❑ Be sure that all structural and other critical components are present and all associated fasteners and pins are in place and properly tightened
- ❑ Side rails are installed and snap pins and bolts are fastened

Maintenance



Observe and Obey:

- ☑ Only routine maintenance items specified in this manual shall be performed by the operator.
- ☑ Scheduled maintenance inspections shall be completed by qualified service technicians, according to the manufacturer's specifications and the requirements specified in the responsibilities manual.

Maintenance Symbols Legend

NOTICE

The following symbols have been used in this manual to help communicate the intent of the instructions. When one or more of the symbols appear at the beginning of a maintenance procedure, it conveys the meaning below.



Indicates that tools will be required to perform this procedure.



Indicates that new parts will be required to perform this procedure.



Indicates that a cold engine is required before performing this procedure.

Check the Engine Oil Level



Maintaining the proper engine oil level is essential to good engine performance and service life. Operating the machine with an improper oil level can damage engine components.

NOTICE

Check the oil level with the engine off.

- 1 Check the oil level dipstick.
- ⦿ Result: The oil level should be at the FULL mark on the dipstick. Add oil as needed.

Kubota DF-752 Engine Oil viscosity requirements

Use oils meeting API classification SF (labeled SF/CC or SF/CD) for improved wear protection. Units ship with 10W-40 SG/CC

Kubota D-905 Engine Oil viscosity requirements

Engine oil should have properties of API classification CC/SE, CD/SE, CC/SF or CD/SF grades. Units ship with 10W-40 SG/CC.

MAINTENANCE

Check the Hydraulic Oil Level



Maintaining the hydraulic oil at the proper level is essential to machine operation. Improper hydraulic oil levels can damage hydraulic components. Daily checks allow the inspector to identify changes in oil level that might indicate the presence of hydraulic system problems.

NOTICE Perform this procedure with the platform in the stowed position and the engine off.

- 1 Visually inspect the sight gauge located on the side of the hydraulic oil tank.
- ⦿ Result: The hydraulic oil level should be within the top 2 inches / 5 cm of the sight gauge.
- 2 Add oil if necessary. Do not overfill.

Hydraulic oil specifications

Hydraulic oil type	See machine decal
--------------------	-------------------

Check the Batteries



Proper battery condition is essential to good engine performance and operational safety. Improper fluid levels or damaged cables and connections can result in engine component damage and hazardous conditions.

NOTICE This procedure does not need to be performed on machines with sealed or maintenance-free batteries.

⚠ WARNING Electrocutation hazard. Contact with hot or live circuits may result in death or serious injury. Remove all rings, watches and other jewelry.

⚠ WARNING Bodily injury hazard. Batteries contain acid. Avoid spilling or contacting battery acid. Neutralize battery acid spills with baking soda and water.

- 1 Put on protective clothing and eye wear.
- 2 Be sure that the battery cable connections are tight and free of corrosion.
- 3 Be sure that the battery hold down bars are in place and secure.
- 4 Remove the battery vent caps.
- 5 Check the battery acid level. If needed, replenish with distilled water to the bottom of the battery fill tube. Do not overfill.
- 6 Install the vent caps.

NOTICE Adding terminal protectors and a corrosion preventative sealant will help eliminate corrosion on the battery terminals and cables.

MAINTENANCE

Check the Engine Coolant Level



Maintaining the engine coolant at the proper level is essential to engine service life. Improper coolant level will affect the engine's cooling capability and damage engine components. Daily checks will allow the inspector to identify changes in coolant level that might indicate cooling system problems.

- 1 Check the fluid level in the coolant recovery tank. Add fluid as needed.

- ⦿ Result: The fluid level should be in the NORMAL range.

⚠ WARNING

Bodily injury hazard. Fluids in the radiator are under pressure and extremely hot. Use caution when removing cap and adding fluids.

Scheduled Maintenance

Maintenance performed quarterly, annually and every two years must be completed by a person trained and qualified to perform maintenance on this machine according to the procedures found in the service manual for this machine.

Machines that have been out of service for more than three months must receive the quarterly inspection before they are put back into service.

Function Tests



Do Not Operate Unless:

- ☑ You learn and practice the principles of safe machine operation contained in this operator's manual.

1 Avoid hazardous situations.

2 Always perform a pre-operation inspection.

3 Always perform function tests prior to use.

Know and understand the function tests before going on to the next section.

4 Inspect the workplace.

5 Only use the machine as it was intended.

Fundamentals

The function tests are designed to discover any malfunctions before the machine is put into service. The operator must follow the step-by-step instructions to test all machine functions.

A malfunctioning machine must never be used. If malfunctions are discovered, the machine must be tagged and removed from service. Repairs to the machine may only be made by a qualified service technician, according to the manufacturer's specifications.

After repairs are completed, the operator must perform a pre-operation inspection and function tests again before putting the machine into service.

- 1 Select a test area that is firm, level and free of obstruction.

At the Ground Controls

- 2 Pull out the platform and ground red Emergency Stop button to the on position.

- 3 Turn the key switch to ground control.

- 4 Observe the diagnostic LED readout.

- ⦿ Result: LED should look like picture at right.



- 5 Start the engine. See Operating Instructions section.

Test Emergency Stop

- 6 Push in the ground red Emergency Stop button to the off position.

- ⦿ Result: The engine should turn off and no functions should operate.

- 7 Pull out the red Emergency Stop button to the on position and restart the engine.

Test the Up/Down Functions

The audible warnings on this machine and the standard horn all come from the same central alarm. The horn is a constant tone. The descent alarm sounds at 60 beeps per minute. The alarm that goes off when the machine is not level sounds at 180 beeps per minute.

- 8 Do not push and hold the function enable button and activate the platform up function.

- ⦿ Result: No function should operate.

FUNCTION TESTS

- 9 Push and hold the function enable button and activate the platform up function.
- ⦿ Result: The platform should raise.
- 10 Push and hold the function enable button and activate the platform down function.
- ⦿ Result: The platform should lower. The descent alarm should sound while the platform is lowering.

Test the Manual Lowering

- 11 Push and hold the function enable button and raise the platform approximately 2 feet / 60 cm.
- 12 Push in the red Emergency Stop button to shut off the engine.
- 13 Pull out the red Emergency Stop button to the on position.
- 14 Push and hold the function enable button. Activate the down function.
- ⦿ Result: The platform should lower. The descent alarm will not sound.
- 15 Turn the key switch to platform control and restart the engine.

At the Platform Controls

Test Emergency Stop

- 16 Push in the platform red Emergency Stop button to the off position.
- ⦿ Result: No functions should operate.
- 17 Pull the red Emergency Stop button out to the on position.
- ⦿ Result: The green power light should come on.

Test the Horn

- 18 Push the horn button.
- ⦿ Result: The horn should sound.

Test the Up/Down Functions and the Function Enable Switches

- 19 Start the engine.
- 20 Activate the platform up function.
- ⦿ Result: The platform should not raise.
- 21 Push and hold a function enable/speed select button.
- 22 Activate the platform up function.
- ⦿ Result: The platform should raise.
- 23 Release the function enable button.
- ⦿ Result: The platform should stop raising.
- 24 Push and hold a function enable/speed select button. Activate the platform down function.
- ⦿ Result: The platform should lower. The descent alarm should sound while the platform is lowering.

Test the Steering

Note: When performing the steer and drive function tests, stand in the platform facing the steer end of the machine.

- 25 Press and hold the function enable switch.
- 26 Depress the thumb rocker switch on top of the control handle in the direction identified by the blue triangle on the control panel.
- ⦿ Result: The steer wheels should turn in the direction that the blue triangle points on the control panel.

FUNCTION TESTS

27 Depress the thumb rocker switch in the direction identified by the yellow triangle on control panel.

- ⦿ Result: The steer wheels should turn in the direction that the yellow triangle points on the control panel.

Test Drive and Braking

28 Press and hold the function enable switch.

29 Slowly move the control handle in the direction indicated by the blue arrow on the control panel until the machine begins to move, then return the handle to the center position.

- ⦿ Result: The machine should move in the direction that the blue arrow points on the control panel, then come to an abrupt stop.

30 Press and hold the function enable switch.

31 Slowly move the control handle in the direction indicated by the yellow arrow on the control panel until the machine begins to move, then return the handle to the center position.

- ⦿ Result: The machine should move in the direction that the yellow arrow points on the control panel, then come to an abrupt stop.

Note: The drive brakes must be able to hold the machine on any slope it is able to climb.

Test Limited Drive Speed

32 Move and hold a function enable/speed select switch. Raise the platform approximately 6 feet / 1.83 m from the ground.

33 Press and hold the function enable switch.

34 Slowly move the control handle to the full drive position.

- ⦿ Result: The maximum achievable drive speed with the platform raised should not exceed 0.73 feet / 0.22 meters per second.

If the drive speed with the platform raised exceeds 0.73 feet / 0.22 meters per second, immediately tag and remove the machine from service.

Test the Tilt Sensor Operation

Note: Perform this test from the ground with the platform controller. Do not stand in the platform.

35 Fully lower the platform.

36 Drive both wheels on one side onto a 4 inch / 10 cm block or onto a curb.

37 Raise the platform at least 6 ft / 1.83 m.

- ⦿ Result: The platform should stop and the tilt alarm will sound at 180 beeps per minute.

38 Move the drive control handle in the direction indicated by the blue arrow, then move the drive control handle in the direction indicated by the yellow arrow.

- ⦿ Result: The drive function should not work in either direction.

39 Lower the platform and drive the machine off the block.

Workplace Inspection



Do Not Operate Unless:

- You learn and practice the principles of safe machine operation contained in this operator's manual.
 - 1 Avoid hazardous situations.
 - 2 Always perform a pre-operation inspection.
 - 3 Always perform function tests prior to use.
 - 4 Inspect the workplace.**
Know and understand the workplace inspection before going on to the next section.
 - 5 Only use the machine as it was intended.

Fundamentals

The workplace inspection helps the operator determine if the workplace is suitable for safe machine operation. It should be performed by the operator prior to moving the machine to the workplace.

It is the operator's responsibility to read and remember the workplace hazards, then watch for and avoid them while moving, setting up and operating the machine.

Workplace Inspection

Be aware of and avoid the following hazardous situations:

- drop-offs or holes
- bumps, floor obstructions or debris
- slopes that exceed the machine's leveling capability
- unstable or slippery surfaces
- overhead obstructions and high voltage conductors
- hazardous locations
- inadequate surface support to withstand all load forces imposed by the machine
- wind and weather conditions
- the presence of unauthorized personnel
- other possible unsafe conditions

Operating Instructions



Do Not Operate Unless:

- You learn and practice the principles of safe machine operation contained in this operator's manual.
- 1 Avoid hazardous situations.
- 2 Always perform a pre-operation inspection.
- 3 Always perform function tests prior to use.
- 4 Inspect the workplace.
- 5 Only use the machine as it was intended.**

Fundamentals

The Operating Instructions section provides instructions for each aspect of machine operation. It is the operator's responsibility to follow all the safety rules and instructions in the operator's, safety and responsibilities manuals.

Using the machine for anything other than lifting personnel, along with their tools and materials, to an aerial work site is unsafe and dangerous.

Only trained and authorized personnel should be permitted to operate a machine. If more than one operator is expected to use a machine at different times in the same work shift, they must all be qualified operators and are all expected to follow all safety rules and instructions in the operator's, safety and responsibilities manuals. That means every new operator should perform a pre-operation inspection, function tests, and a workplace inspection before using the machine.

Emergency Stop

Push in the red Emergency Stop button to the off position at the ground controls or the platform controls to stop all functions and turn the engine off.

Repair any function that operates when either Emergency Stop button is pushed in.

Starting the Engine

- 1 At the ground controls, turn the key switch to the desired position.
- 2 Be sure both ground and platform control red Emergency Stop buttons are pulled out to the on position.
- 3 Gasoline/LPG models: Choose the fuel source. Ground control panel: Move the fuel select toggle switch to the desired position. Platform control panel: Push the fuel select button.
- 4 Push the engine start button.

If the engine fails to start after 15 seconds of cranking, determine the cause and repair any malfunction. Wait 60 seconds before trying to start again.

All models: In extreme cold conditions, 20°F / -6°C and below, warm the engine for 5 minutes before operating to prevent hydraulic system damage.

Gasoline/LPG models: In extreme cold conditions, 20°F / -6°C and below, the machine should be started on gasoline, then switched to LPG.

When operating the machine in gasoline mode, use the choke as necessary.

OPERATING INSTRUCTIONS

Operation From Ground

- 1 Turn the key switch to ground control.
- 2 Pull out both ground and platform red Emergency Stop buttons to the on position.
- 3 Start the engine.

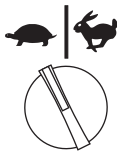
To Position Platform

- 1 Push and hold the function enable button.
- 2 Activate the up function or the down function.

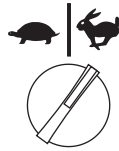
Drive and steer functions are not available from the ground controls.

Engine Idle Select Switch

Low idle



High idle

**Operation From Platform**

- 1 Turn the key switch to platform control.
- 2 Pull out the ground and platform red Emergency Stop buttons to the on position.
- 3 Start the engine.

To Position Platform

- 1 Move and hold a function enable/speed select switch.
- 2 Activate the platform up/down function toggle switch in the desired direction of travel.

To Steer

- 1 Press and hold the function enable switch.
- 2 Turn the steer wheels with the thumb rocker switch located on the top of the control handle.

To Drive

- 1 Press and hold the function enable switch.
- 2 Increase speed: Slowly move the control handle off center.

Decrease speed: Slowly move the control handle toward center.

Stop: Return the control handle to center or release the function enable switch.

Use the color-coded direction arrows on the platform controls and on the platform to identify the direction the machine will travel.

Machine travel speed is restricted when the platform is raised.

Drive Select Button

Machine on incline symbol:
Low range operation for inclines

OPERATING INSTRUCTIONS

**To Extend and Retract Platform
(Manual Platform Extension)**

- 1 Lift the platform extension lock handle to the horizontal position.
- 2 Push the platform extension lock handle to extend the platform to the desired position.

Do not stand on the platform extension while trying to extend it.

- 3 Lower the platform extension lock handle.

**Operation From Ground with
Controller**

Maintain safe distances between the operator, the machine and fixed objects.

Be aware of the direction the machine will travel when using the controller.

Engine Stop Button

Press the engine stop button to turn off the engine. The down function and the horn will still operate.

After Each Use

- 1 Select a safe parking location—firm level surface, clear of obstructions and traffic.
- 2 Lower the platform.
- 3 Turn the key switch to the off position and remove the key to secure from unauthorized use.
- 4 Chock the wheels.

OPERATING INSTRUCTIONS

Auto Level Outriggers (if equipped)

These instructions apply to machines with the black auto level outrigger control box.

- 1 Position the machine below the desired work area.
 - 2 Pull out the red Emergency Stop buttons at the ground and platform controls.
 - 3 Push and hold the auto level button.
 - 4 Activate the outrigger up/down toggle switch in the down direction.
- ⦿ Result: The outriggers will extend and level the machine. A beep will sound when the machine is level.



The red indicator light above the lift symbol on the outrigger control panel comes on when one but not all outriggers are down. All drive and lift functions are disabled.

The light turns off when all outriggers are in firm contact with the ground. The drive function is disabled while the outriggers are down.

To control individual outriggers

- 1 Push and hold the outrigger function enable button.
- 2 Push and hold an outrigger button.
- 3 Activate the outrigger up/down toggle switch in the desired direction to level the machine.



Positioning machine on a slope

When setting the machine up on a slope, the steer-end outriggers must be lowered first.

Fall Protection

Personal fall protection equipment (PFPE) is not required when operating this machine. If PFPE is required by job site or employer rules, the following shall apply:

All PFPE must comply with applicable governmental regulations and must be inspected and used in accordance with the manufacturer's instructions.

Transport Instructions



Observe and Obey:

- Common sense and planning must be applied to control the movement of the machine when lifting it with a crane.
- The transport vehicle must be parked on a level surface.
- The transport vehicle must be secured to prevent rolling while the machine is being loaded.
- Be sure the vehicle capacity, loading surfaces and chains or straps are sufficient to withstand the machine weight. See the serial plate for the machine weight.
- The machine must be on a level surface or secured before releasing brakes.

Securing to Truck or Trailer for Transit

Always chock the machine wheels in preparation for transport.

Use the tie-down points on the chassis for anchoring down to the transport surface.

Use chains or straps of ample load capacity.

Turn the key switch to the off position and remove the key before transporting.

Inspect the entire machine for loose or unsecured items.

Brake Release Operation

- 1 Chock the wheels to prevent the machine from rolling.
- 2 Be sure the winch line is properly secured to the drive chassis tie points and the path is clear of all obstructions.
- 3 Turn the brake release knob counterclockwise to open the brake valve.
- 4 Pump the brake release pump knob.

After the machine is loaded:

- 1 Chock the wheels to prevent machine from rolling.
- 2 Turn the brake release knob clockwise to reset the brakes.

Towing the Genie GS-2668 RT or the GS-3268 RT is not recommended. If the machine must be towed, do not exceed 2 mph / 3.2 km/h.

Decals

Decal Inspection

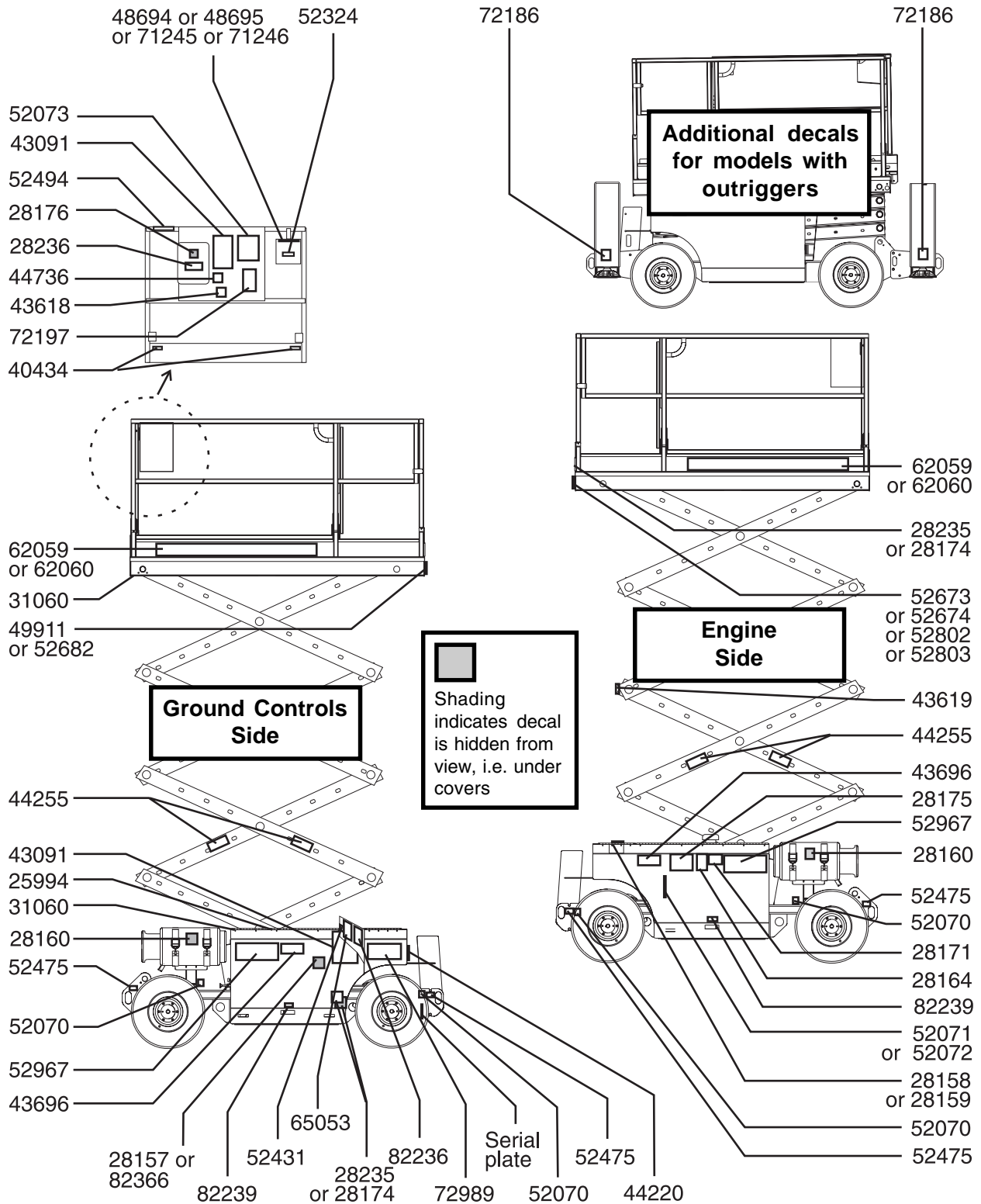
Use the pictures on the next page to verify that all decals are legible and in place.

Below is a numerical list with quantities and descriptions.

Part No.	Description	Quantity
25994	Caution - Component Damage	1
28157	Label - Dexron	1
28158	Label - Unleaded (Gasoline/LPG models)	1
28159	Label - Diesel (Diesel models)	1
28160	Label - LPG (Gasoline/LPG models) (1 additional with extra LPG tank option)	1
28164	Notice - Hazardous Materials	1
28171	Label - No Smoking	1
28174	Power to Platform, 230V	3
28175	Caution - Compartment Access	1
28176	Notice - Missing Manuals	1
28235	Power to Platform, 115V	3
28236	Warning - Failure To Read . . .	1
31060	Danger - Do Not Alter Limit Switch	2
40434	Label - Lanyard Anchorage	2
43091	Danger - General Safety Rules	2
43618	Label - Directional arrows	1
43619	Label - Safety Arm	1
43696	Danger - Electrocutation Hazard	2
44220	Danger/Notice - Brake Release Safety & Operating Instructions	1
44255	Danger - Crushing Hazard	4
44736	Danger - Tilt Alarm	1
48694	Platform Control Panel, Gas/LPG models	1
48695	Platform Control Panel, Diesel models	1
49911	Notice - Max Capacity 1250 lbs / 590 kg - GS-2668 RT & DC	1
52070	Notice - Tire Specifications	4
52071	Notice - Kubota Gas Engine Specs	1

Part No.	Description	Quantity
52072	Notice - Kubota Diesel Engine Specs	1
52073	Notice - Operating Instructions, Platform	1
52324	Label - Up/Down & Function Enable	1
52431	Label, Ground Control Panel	1
52475	Label - Transport Tie-down	4
52494	Caution - Crushing Hazard, Rails	1
52673	Notice - Max Side Force, ANSI & CSA, GS-2668 RT & DC	1
52674	Notice - Max Side Force, CE, GS-2668 RT & DC	1
52682	Notice - Max Capacity 1000 lbs / 454 kg, GS-3268 RT & DC	1
52802	Notice - Max Side Force, ANSI & CSA, GS-3268 RT & DC	1
52803	Notice - Max Side Force, CE, GS-3268 RT & DC	1
52967	Cosmetic - 4x4	2
62059	Cosmetic - Genie GS-2668 RT	2
62060	Cosmetic - Genie GS-3268 RT	2
65053	Label - Fault Codes	1
71245	Platform Control Panel, Gas/LPG models, Automatic Outriggers	1
71246	Platform Control Panel, Diesel models, Automatic Outriggers	1
72186	Caution - Crushing Hazard	4
72197	Danger - Safety and Instructions, Outriggers	1
72989	Ground Control Panel	1
82236	Notice - Operating Instructions - Ground	1
82239	Label - Latch	2
82366	Label - Chevron Rykon	1

DECALS



Specifications

Model	GS-2668 RT	
Height, working maximum	32 ft	9.8 m
Height, platform maximum	26 ft	7.9 m
Height, stowed maximum Rails up	91 ¹ / ₂ in	2.3 m
Height, stowed maximum Rails lowered	67 in	1.7 m
Height, stowed maximum Rails off	47 in	1.2 m
Height, guard rails	40 in	1.02 m
Width	68 in	1.73 m
Length, platform retracted	105 in	2.67 m
Length, platform retracted Models with outriggers	130 in	3.3 m
Length, platform extended	165 in	4.2 m
Maximum load capacity	1250 lbs	567 kg
Wheelbase	73 in	1.85 m
Turning radius (outside)	145 in	3.7 m
Turning radius (inside)	60 in	1.5 m
Ground clearance	8 ¹ / ₄ in	21 cm
Weight (Machine weights vary with option configurations)	See Serial Plate	
Airborne noise emissions Maximum sound level at normal operating workstations (A-weighted)	>80 dB	

Power source	Kubota 23 Hp Dual Fuel OR Kubota 20 Hp Diesel	
Controls	Proportional	
AC outlet in platform	standard	
Maximum hydraulic pressure (functions)	3500 psi	241.3 bar
Tires size	26 x 12 x 380	

Platform dimensions

Platform length x width	99 in x 61 in	2.5 x 1.5 m
Platform extension length	60 in	1.5 m

Drive speeds

Stowed, maximum	3.8 mph	6.1 km/h
Platform raised, maximum	0.5 mph	0.8 km/h
	40 ft/54.6 sec	12.2 m/54.6 sec

Floor Loading Information

GVW+Rated Load	7800 lbs	3538 kg
Axle load, maximum	4105 lbs	1862 kg
Wheel load, maximum	2053 lbs	931 kg
Localized pressure per tire	86 psi	6.04 kg/cm ² 592 kPa
Occupied pressure	157 psf	7.53 kPa

Note: Floor loading information is approximate and does not incorporate different option configurations. It should be used only with adequate safety factors.

Continuous improvement of our products is a Genie policy. Product specifications are subject to change without notice or obligation.

SPECIFICATIONS

Model	GS-3268 RT	
Height, working maximum	38 ft	11.8 m
Height, platform maximum	32 ft	9.8 m
Height, stowed maximum Rails up	97 ¹ / ₂ in	2.5 m
Height, stowed maximum Rails lowered	72 in	1.8 m
Height, stowed maximum Rails off	52 in	1.3 m
Height, guard rails	40 in	1.02 m
Width	68 in	1.73 m
Length, platform retracted	105 in	2.67 m
Length, platform retracted Models with outriggers	130 in	3.3 m
Length, platform extended	165 in	4.2 m
Maximum load capacity	1000 lbs	454 kg
Wheelbase	73 in	1.85 m
Turning radius (outside)	145 in	3.7 m
Turning radius (inside)	60 in	1.5 m
Ground clearance	8 ¹ / ₄ in	21 cm
Weight (Machine weights vary with option configurations)	See Serial Plate	
Airborne noise emissions Maximum sound level at normal operating workstations (A-weighted)	>80 dB	

Power source	Kubota 23 Hp Dual Fuel OR Kubota 20 Hp Diesel	
Controls	Proportional	
AC outlet in platform	standard	
Maximum hydraulic pressure (functions)	3500 psi	241.3 bar
Tires size	26 x 12 x 380	

Platform dimensions

Platform length x width	99 in x 61 in	2.5 x 1.5 m
Platform extension length	60 in	1.5 m

Drive speeds

Stowed, maximum	3.8 mph	6.1 km/h
Platform raised, maximum	0.5 mph	0.8 km/h
	40 ft/54.6 sec	12.2 m/54.6 sec

Floor Loading Information

GVW+Rated Load	9090 lbs	4080 kg
Axle load, maximum	5180 lbs	2350 kg
Wheel load, maximum	2590 lbs	1175 kg
Localized pressure per tire	108 psi	7.59 kg/cm ² 745 kPa
Occupied pressure	193 psf	9.24 kPa

Note: Floor loading information is approximate and does not incorporate different option configurations. It should be used only with adequate safety factors.

Continuous improvement of our products is a Genie policy. Product specifications are subject to change without notice or obligation.

California Proposition 65

WARNING

The exhaust from this product contains chemicals known to the State of California to cause cancer, birth defects or other reproductive harm.

Genie Holland

Phone +31 70 51 78836
Fax +31 70 51 13993

Genie Scandinavia

Phone +46 31 3409612
Fax +46 31 3409613

Genie France

Phone +33 (0)2 37 26 09 99
Fax +33 (0)2 37 26 09 98

Genie Ibérica

Phone +34 93 579 5042
Fax +34 93 579 5059

Genie Germany

Phone +49 (0)4202 88520
Fax +49 (0)4202 8852-20

Genie U.K.

Phone +44 (0)1476 584333
Fax +44 (0)1476 584334

Genie Mexico City

Phone +52 55 5666 5242
Fax +52 55 5666 3241

Genie North America

Phone 425.881.1800
Toll Free USA and Canada
800.536.1800
Fax 425.883.3475

Genie Australia Pty Ltd.

Phone +61 7 3375 1660
Fax +61 7 3375 1002

Genie China

Phone +86 21 53852570
Fax +86 21 53852569

Genie Malaysia

Phone +60 4 228 1235
Fax +60 4 226 6872

Genie Japan

Phone +81 3 3453 6082
Fax +81 3 3453 6083

Genie Korea

Phone +82 2 558 7267
Fax +82 2 558 3910

Genie Africa

Phone +27 11 455 0373
Fax +27 11 455 0355

Genie Latin America

Phone +55 11 4055 2499
Fax +55 11 4043 1661

Distributed By: