

Genesis

BELT/DISC SANDER

Ponceuse à courroie / à disque

Lijadora de disco y correa

Operator's Manual

Manuel d'utilisation

Manual del Operario



GBDS450

Operator's Manual

Specifications:

- Model: GBDS450
- Rated Voltage: 120V~ 60HZ
- Rated Input Power: 4.5 A
- Belt Speed (no load): 2,000 SFPM
- Disc Speed (no load): 3,400 RPM
- Belt Size: 4" x 36" (100 mm x 914 mm)
- Disc Size: 6" (150 mm)
- Table Size: 8-7/8" x 6-1/4" (225mm x 160 mm)
- Table Tilt: 0°-45°
- Belt Tilt: 0°-90°

Includes: Table, Miter Gauge and Wrenches

⚠ WARNING: To reduce the risk of injury, user must read and understand this operator's manual before operating this tool. Save this Manual for future reference.

Toll-Free Help Line: 1-888-552-8665



⚠ WARNING: The Operation of any power tool can result in foreign objects being thrown into your eyes, which can result in severe eye damage. Before beginning tool operation, always wear safety goggles or safety glasses with side shields and a full face shield when needed. We recommend Wide Vision Safety Mask for use over eyeglasses or standard safety glasses with side shields. Always wear eye protection which is marked to comply with ANSI Z87.1.



Look for this symbol to point out important safety precautions. It means attention!!! Your safety is involved.

GENERAL SAFETY RULES

⚠ WARNING:

Some dust created by power sanding, sawing, grinding, drilling, and other construction activities contains chemicals known to cause cancer, birth defects or other reproductive harm. Some examples of these chemicals are:

- Lead from lead-based paints,
- Crystalline silica from bricks and cement and other masonry products, and
- Arsenic and chromium from chemically treated lumber.

Your risk from these exposures varies, depending on how often you do this type of work. To reduce your exposure to these chemicals: work in a well ventilated area, and work with approved safety equipment, such as those dust masks that are specially designed to filter out microscopic particles.

⚠ WARNING: READ AND UNDERSTAND ALL WARNINGS, CAUTIONS AND OPERATING INSTRUCTIONS BEFORE USING THIS EQUIPMENT. Failure to follow all instructions listed below may result in electric shock, fire and/or serious personal injury.

SAVE THESE INSTRUCTIONS

WORK AREA SAFETY

- **Keep your work area clean and well lit.** Cluttered benches and dark areas invite accidents.
- **Do not operate power tools in explosive atmospheres,** such as in the presence of flammable liquids, gases, or dust. Power tools create sparks which may ignite the dust or fumes.
- **Keep bystanders, children, and visitors away while operating a power tool.** Distractions can cause you to lose control.

ELECTRICAL SAFETY

- **Power tool plugs must match the outlet.** Never modify the plug in any way. Do not use any adapter plugs in any earthed (grounded) power tools. Double insulated tools are equipped with a polarized plug (one blade is wider than the other). This plug will fit in a polarized outlet only one way. If the plug does not fit fully in the outlet, reverse the plug. If it still does not fit, contact a qualified electrician to install a polarized outlet. Do not change the plug in any way. Double insulation eliminates the need for the three wire grounded power cord and grounded power supply system.
- **Do not expose power tools to rain or wet conditions.** Water entering a power tool will increase the risk of electric shock.
- **Avoid body contact with earthed or grounded surfaces such as pipes, radiators, ranges and refrigerators.** There is an increased risk of electric shock if your body is grounded.
- **Do not abuse the cord.** Never use the cord for carrying, pulling or unplugging the power tool. Keep cord away from heat, oil, sharp edges or moving parts. Damaged cords increase the risk of electric shock.
- **When operating a power tool outside, use an extension cord suitable for outdoor use.** These cords are rated for outdoor use and reduce the risk of electric shock.
- **Do not use AC only rated tools with a DC power supply.** While the tool may appear to work. The electrical components of the AC rated tool are likely to fail and rate a hazard to the operator.

PERSONAL SAFETY

- **Stay alert,** watch what you are doing and use common sense when operating a power tool. Do not use tool while tired or under the influence of drugs, alcohol, or medication. A moment of inattention while operating power tools may result in serious personal injury.
- **Use safety equipment.** Always wear eye protection. Safety equipment such as dust mask, non-skid safety shoes, hard hat, or hearing protection for appropriate conditions will reduce personal injuries.
- **Dress properly.** Do not wear loose clothing or jewelry. Keep your hair, clothing and gloves away from moving parts. Loose clothes, jewelry or long hair can be caught in moving parts. Air vents may cover moving parts and should be avoided.

- **Avoid accidental starting.** Ensure the switch is in the off position before plugging in. Carrying power tools with your finger on the switch or plugging in power tools that have the switch on invites accidents.
- **Remove any adjusting keys or wrenches before turning the power tool on.** A wrench or key that is left attached to a rotating part of the tool may result in personal injury.
- **Do not overreach.** Maintain proper footing and balance at all times. Loss of balance can cause an injury in an unexpected situation.
- **If devices are provided for connection of dust extraction and collection facilities, ensure these are connected and properly used.** Use of these devices can reduce dust related hazards.
- **Do not use a ladder or unstable support.** Stable footing on a solid surface enables better control of the tool in unexpected situations.
- **Keep tool handles dry, clean and free from oil and grease.** Slippery handles cannot safely control the tool.

TOOL USE AND CARE

- **Secure the work piece.** Use clamp or other practical way to hold the work piece to a stable platform. Holding the work piece by hand or against your body is unstable and may lead to loss of control.
- **Do not force the power tool.** The tool will perform the job better and safer at the feed rate for which it is designed. Forcing the tool could possibly damage the tool and may result in personal injury.
- **Use the correct power tool for the job.** Don't force the tool or attachment to do a job for which it is not designed.
- **Do not use a tool if the switch does not turn it on or off.** Any tool that cannot be controlled with the switch is dangerous and must be repaired or replaced by an authorized service center.
- **Turn the power tool off, and disconnect the plug** from the power source and/or battery pack from the power tool before making any adjustments, changing the accessories, or storing the tools. Such preventive safety measures reduce the risk of an accidental start up which may cause personal injury.
- **Store idle tool out of reach of children and other inexperienced persons.** It is dangerous in the hand of untrained users.
- **Maintain power tools with care.** Check for proper alignment and binding of moving parts, components, and any other conditions that may affect the tool's operation. A guard or any other part that is damaged must be properly repaired or replaced by an authorized service center to avoid risk of personal injury.
- **Use recommended accessories.** Using accessories and attachments not recommended by the manufacturer or intended for use on this type tool may cause damage to the tool or result in personal injury to the user. Consult the operator's manual for recommended accessories.
- **Keep cutting tools sharp and clean.** Properly maintained cutting tools with sharp cutting edges are less likely to bind and are easier to control.

- **Feed the work piece in the correct direction and speed.** Feed the work piece into a blade, cutter, or abrasive surface against the direction of the cutting tool's direction of rotation only. Incorrectly feeding the work piece in the same direction may cause the work piece to be thrown out at high speed.
- **Never leave the tool running unattended, turn the power off.** Do not leave the tool until it comes to a complete stop.
- **Never start the power tool when any rotating component is in contact with the work piece.**

SERVICE

- **Have your power tool serviced by a qualified repair person using only identical replacement parts.** This will ensure that the safety of the power tool is maintained.
- **Service your power tool periodically.** When cleaning a tool, be careful not to disassemble any portion of the tool since internal wires may be misplaced or pinched.

WARNING:

READ AND UNDERSTAND ALL WARNINGS, CAUTIONS AND OPERATING INSTRUCTIONS BEFORE USING THIS EQUIPMENT. Failure to follow all instructions listed below may result in electric shock, fire and/or serious personal injury.

EXTENSION CORDS

Grounded tools require a three wire extension cord. Double insulated tools can use either a two or three wire extension cord. As the distance from the power supply outlet increases, you must use a heavier gauge extension cord. Using extension cords with inadequately sized wire causes a serious drop in voltage, resulting in loss of power and possible tool damage. Refer to the table shown below to determine the required minimum wire size.

The smaller the gauge number of the wire, the greater the capacity of the cord. For example: a 14-gauge cord can carry a higher current than a 16-gauge cord. When using more than one extension cord to make up the total length, be sure each cord contains at least the minimum wire size required. If you are using one extension cord for more than one tool, add the nameplate amperes and use the sum to determine the required minimum wire size.

Guidelines for Using Extension Cords

- If you are using an extension cord outdoors, be sure it is marked with the suffix "W-A" ("W" in Canada) to indicate that it is acceptable for outdoor use.
- Be sure your extension cord is properly wired and in good electrical condition. Always replace a damaged extension cord or have it repaired by a qualified person before using it.
- Protect your extension cords from sharp objects, excessive heat, and damp or wet areas.

Recommended Minimum Wire Gauge for Extension Cords (120 Volt)

Nameplate Amperes (At Full Load)	Extension Cord Length					
	25 Feet	50 Feet	75 Feet	100 Feet	150 Feet	200 Feet
0-2.0	18	18	18	18	16	16
2.1-3.4	18	18	18	16	14	14
3.5-5.0	18	18	16	14	12	12
5.1-7.0	18	16	14	12	12	10
7.1-12.0	18	14	12	10	8	8
12.1-16.0	14	12	10	10	8	6
16.1-20.0	12	10	8	8	6	6

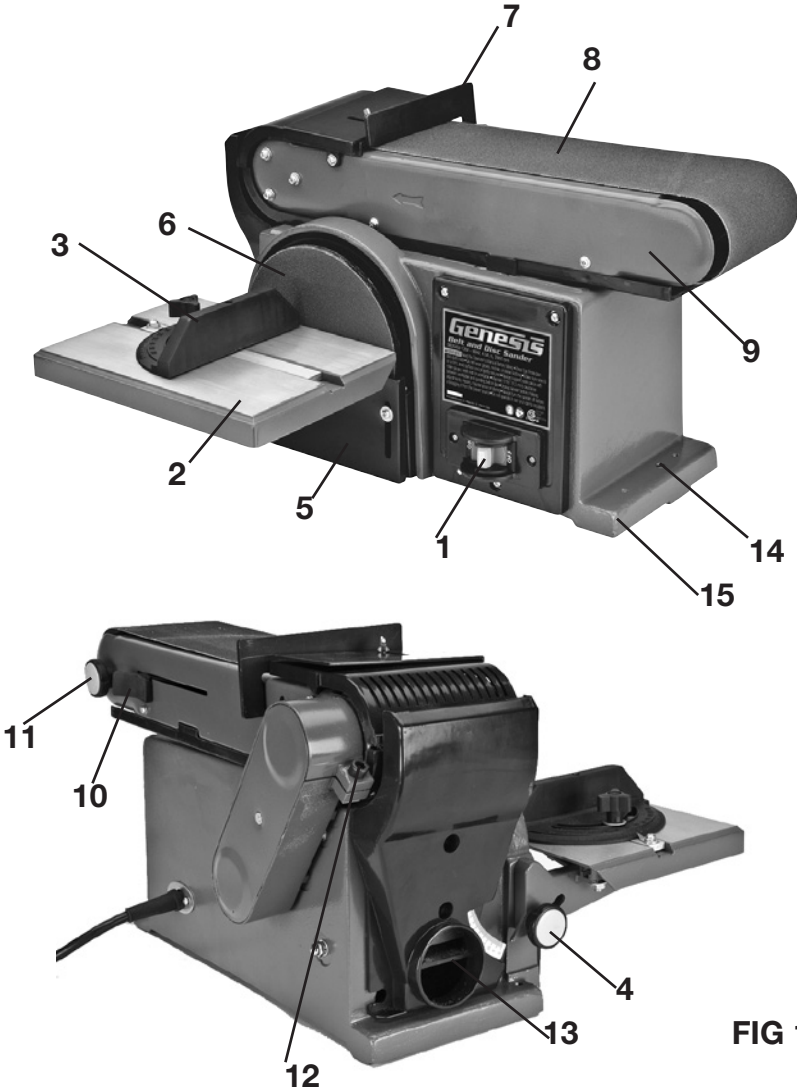
SPECIFIC SAFETY RULES FOR BELT/DISC SANDERS

⚠ WARNING: DO NOT LET COMFORT OR FAMILIARITY WITH PRODUCT (GAINED FROM REPEATED USE) REPLACE STRICT ADHERENCE TO PRODUCT SAFETY RULES. If you use this tool unsafely or incorrectly, you can suffer serious personal injury!

- **Make sure the belt/disc sander is on a firm, level surface and properly secured** to avoid injury from unexpected movement.
- **Unplug the tool before making adjustments, repairs, maintenance or storing.**
- **Always switch off the tool before unplugging it** to avoid accidental starting when replugging the tool into a power source.
- **Wear eye protection and dust mask.**
- **Do not operate the sander** until it is assembled and installed according to this manual's instructions.
- **Do not use the tool** if the switch does not turn it on and off. Defective switches should be immediately replaced by an authorized service center and the machine not used under repairs are completed.
- **Always support work piece with miter gauge, work support or table.**
- **Keep fingers away from pinch points** between housing and sanding belt or disc.
- **Maintain 1/16 in. (1-2mm) clearance between table and sanding belt or disc.**
- **Maintain proper adjustment of sanding belt tension and alignment.**
- **Never sand more than one piece at a time.**
- **Always feed the work piece from left to right** against the direction the sanding belt is rotating.
- **Use extra caution with large, very small or awkward work piece.** Never use this tool to sand a piece too small to hold by hand.
- **Avoid awkward operations and hand positions** where an unexpected or sudden slip that could cause your hand or fingers to move into the sanding belt or disc.
- **Never stand in line with the path of work piece.**
- **Do not operate in rain or in damp locations.**
- **Grounding required.**

SAVE THESE INSTRUCTIONS

YOUR BELT/DISC SANDER

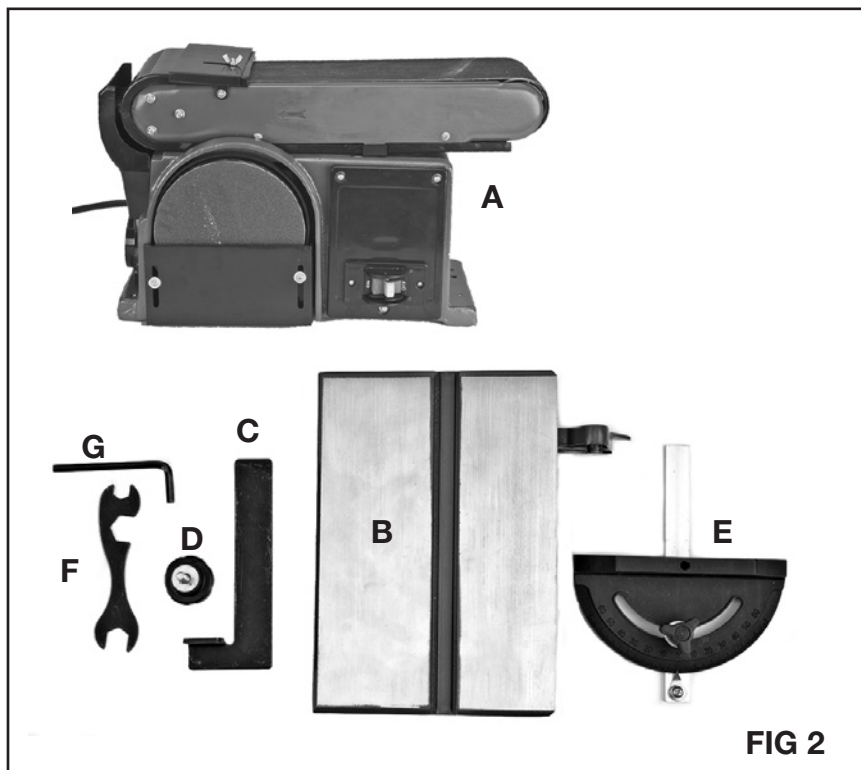


- 1. ON/OFF Switch
- 2. Table
- 3. Miter Gauge
- 4. Table Lock Knob
- 5. Disc Guard
- 6. Sanding Disc
- 7. Work Support
- 8. Sanding Belt

- 9. Belt Bed
- 10. Belt Tension Lever
- 11. Belt Tracking Knob
- 12. Belt Bed Lock Screw
- 13. Dust Port
- 14. Mounting Holes
- 15. Base

UNPACKING AND CONTENT

IMPORTANT: Due to modern mass production techniques, it is unlikely the tool is faulty or that a part is missing. If you find anything wrong, do not operate the tool until the parts have been replaced or the fault has been rectified. Failure to do so could result in serious personal injury.



Contents in Package: (FIG 2)

Item	Description	QTY	Item	Description	QTY
A	Belt/Disc Sander	1	F	Wrench	1
B	Table Assembly	1	G	Allen Key	1
C	Work Support	1		Operator's Manual (not shown)	1
D	Table Lock Knob	1			
E	Miter Gauge	1			

⚠ WARNING: If any parts are missing or damaged, do not attempt to assemble the tool, plug in power cord or turn the switch on until the missing or damaged parts are replaced.

ASSEMBLY

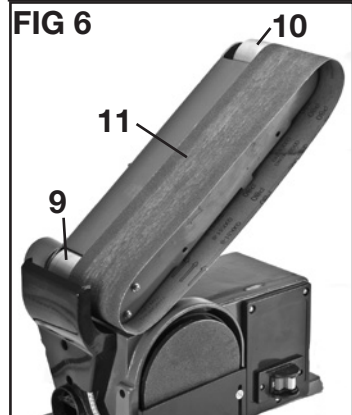
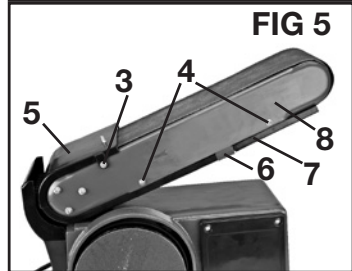
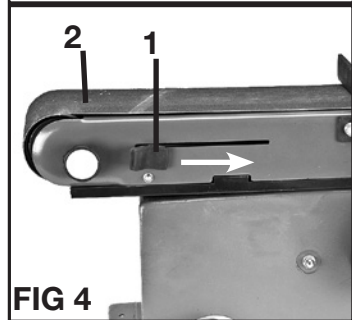
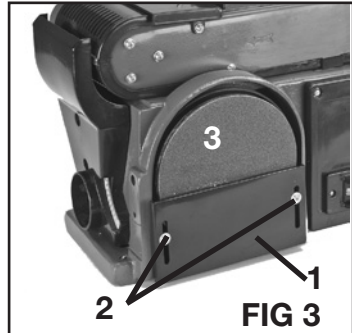
⚠ WARNING: Always be sure that the tool is switched off and unplugged from the power source before adjusting, adding accessories, or checking a function on the tool.

Installing or replacing Sanding Disc and Guard (FIG 3)

One 6" sanding disc (3) and the disc guard (1) are pre-installed at the factory.

To replace the sanding disc

1. Unplug the sander from the power source.
2. Using a Phillips screwdriver, loosen and remove two screws (2) on the disc guard.
3. Remove the disc guard.
4. Peel off the old sanding disc.
5. Remove the backing from a new sanding disc. Align perimeter of disc with sanding plate and firmly press the disc into position.
6. Reinstall the disc guard as shown on FIG 3. The disc guard can be adjusted up and down to cover sanding disc for more protection.



Installing or Replacing Sanding Belt (FIG 4, 5, 6)

A sanding belt is pre-installed and aligned at the factory.

To replace the sanding belt

NOTE: Use 4"x36" (100mm x 914mm) sanding belt. On the smooth side of the sanding belt, there is a directional arrow. The sanding belt must run in the direction of the arrow.

1. Unplug the sander from the power source.
2. Pull the Belt Tension Lever (1) at direction shown on FIG 4 to release belt tension.
3. Loosen and remove the screw (3) on each side of belt bed (8). Remove the upper belt guard (5).
4. Loosen and remove two screws (4) on each side of belt bed (8). Remove the lower belt guard (7).
5. Remove the rubber bump (6).
6. Remove the old sanding belt (10) from driver (9) and idler rollers (10). See FIG 6.
7. Place a new sanding belt over the driver roller (9) and idler roller (10) with the direction arrows running counter-clockwise. Be sure the sanding belt is centered on both rollers.
8. Put rubber bump, lower belt guard and upper belt guard back on. Tighten screws (3, 4) on both sides of the belt bed (8) to keep guards (5, 7) in place.
9. Push the belt tension lever (1) back into locking position to apply belt tension.

⚠ WARNING: The belt tension lever is spring loaded. Be careful when pushing the tension lever back into place to avoid personal injury.

Installing Table Assembly

To Install the Table Assembly for Use with Sanding Disc (FIG 7,8, 9)

1. Unplug the sander from the power source.
2. Insert the position pin on table support into the upper hole on the machine. See FIG 7.
3. Insert table lock knob (1) through a flat washer and the table support slot and into the threaded hole of base as shown on FIG 7. Turn and tighten the table lock knob.
4. Loosen the three hex head nuts at bottom of table support (FIG 9) and adjust table to make sure the table edge is no more than 1/16" (1-2mm) from the sanding surface. Tighten the three hex head nuts. Re-tighten the lock knob.

⚠ WARNING: To avoid trapping the work piece or your finger between the table and sanding disc, the table edge must be no more than 1/16" (1-2mm) from the sanding surface.

To Install the Table Assembly for Use with Sanding Belt (FIG 9, 10, 11)

1. Unplug the sander from the power source.
2. Remove the work support if it is on.
3. Place the belt bed in the vertical sanding position. Refer to "Positioning the Belt Bed".
4. Insert the position pin on table support into the position hole on the belt bed as shown on FIG 10.
5. Insert table lock knob through a flat washer and the table support slot and into the threaded hole as shown on FIG 10. Turn and tighten the table lock knob (1).
6. Loosen the three hex head nuts at bottom of table support and adjust table to make sure the table edge is no more than 1/16" (1-2mm) from the sanding surface. Re-tighten the lock knob.
7. Adjust the protection plate (2) under the table to cover the exposed sanding belt for extra protection.

Installing Work Support (FIG 12)

1. Unplug the sander from the power source.
2. Place the work support (1) over the hole in the side of the tool housing as shown in FIG 12.
3. Using a wrench provided, fasten the work support in place with the washer and hex head screw (2).

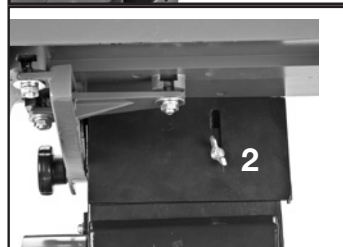
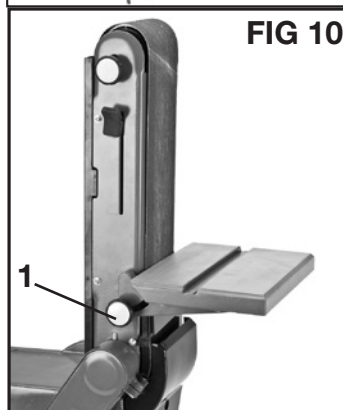
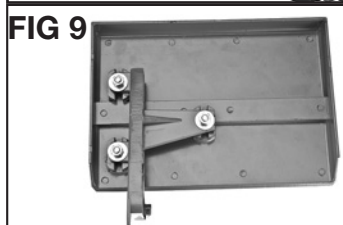
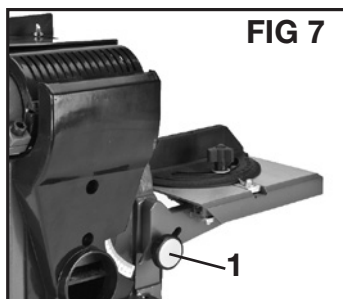


FIG 11

Mounting Belt/Disc Sander

If during operation of the Belt/Disc Sander, there is any tendency for the sander to slide or "walk" or to tip over, then the sander must be secured to a work bench or other supporting surface using fasteners (not supplied) through the two holes in the sander base.

ADJUSTMENTS

⚠ WARNING: Always be sure that the tool is switched off and unplugged from the power source before adjusting, adding accessories, or checking a function on the tool.

Adjusting the Belt Tracking (FIG 13)

1. Plug the sander into the power source.
2. Turn switch 'ON' and immediately 'OFF', noting if the belt tends to slide off the idler drum or drive drum. If it did not tend to slide off, it is TRACKING properly.
3. If the sanding belt moves toward the disc, turn the tracking knob (3) clockwise 1/4 turn.
4. If the sanding belt moves away from the disc, turn the tracking knob (3) counterclockwise 1/4 turn.
5. Turn switch 'ON' and immediately 'OFF' noting belt movement. Re-adjust tracking knob if necessary.

Positioning Belt Bed (FIG 14)

The belt bed lock screw (4) locks the belt bed in a horizontal or vertical position.

To adjust the belt bed position

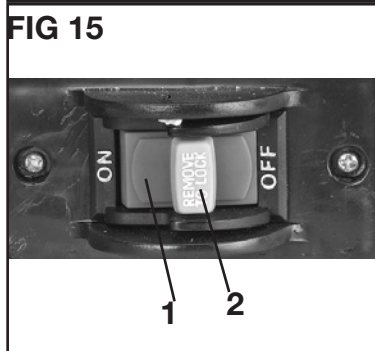
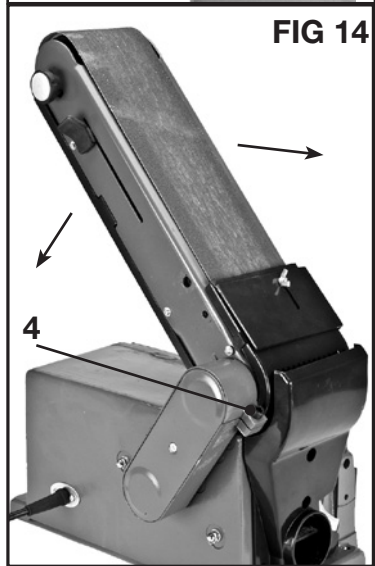
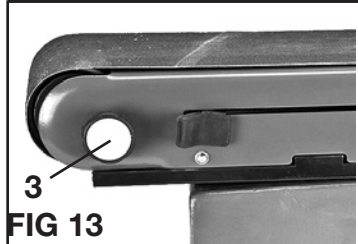
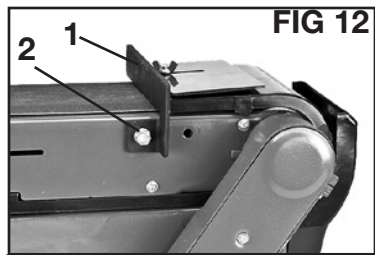
1. Unplug the sander from the power source.
2. Loosen the lock screw (4) using Allen wrench provided.
3. Position belt bed and re-tighten the lock screw (4).

OPERATION

⚠ WARNING: Always be sure that the tool is switched off and unplugged from the power source before adjusting, adding accessories, or checking a function on the tool.

ON/OFF Switch (FIG 15)

1. To turn the sander ON, move the switch (1) to the "ON" position.
2. To turn the sander OFF, move the switch to the "OFF" position.
3. To lock the switch in the OFF position, remove the safety key (2) from the switch. Store the key in a safe place.



⚠ WARNING: Always switch off the tool before unplugging it to avoid accidental starting when re-plugging the tool into a power source.

Dust Port

Your sander has a 2-1/4" dust port (13-FIG1) located on the left side of the sander. The port can be connected to a dust collection system.

Bevel Sanding (FIG 16)

The table can be tilted from 0 to 45 for bevel sanding.

To set table at bevel position

1. Loosen the table lock knob and tilt the table to the desired angle.
2. Retighten the table lock knob.

Sanding Small End Surfaces Using the Miter Gauge (FIG 16)

A miter gauge is included with the tool. Using miter gauge is recommended for sanding a small piece on the sanding disc.

1. Rest the work piece against the edge of the miter gauge.
2. Always move the work across the left hand side of the sanding disc.

Surface Sanding on the Sanding Belt (FIG 17)

The sanding belt can be used either vertically or horizontally. Depending on the work piece, the work support can be used either the horizontal or vertical sanding operation. For surface sanding on the sanding belt, use the horizontal position.

1. Hold the work piece firmly with both hands, keeping fingers away from the sanding belt.
2. Keep the end butted against the work stop and move the work evenly across the sanding belt. Use extra caution when sanding a very thin piece.
3. Apply only enough pressure to allow the sanding belt to remove a small amount of material at a time.

NOTE: Remove the work support when sanding a long piece.

End Sanding on the Sanding Belt (FIG 18)

For sanding the ends of long piece, use the sanding belt in a vertical position. See FIG 18

Use the table instead of work support.

Use miter gauge on the table for more accuracy.

Sanding Curved Edges (FIG 19, 20)

Always sand the inside curve on idler drum as shown in FIG 19

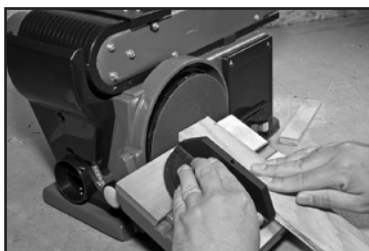


FIG 16

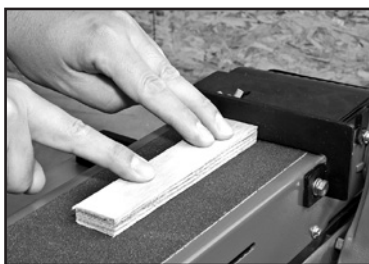


FIG 17



FIG 18



FIG 19

⚠ WARNING: Never attempt to sand the ends of a work piece on the idler drums. It could cause the work piece to fly up and result in personal injury.

Always sanding the outside curve on the left hand side of the sanding disc, as shown in FIG 20

⚠ WARNING: Sanding the work piece on the right side of the sanding disc could cause the work piece to fly up and result in personal injury.



FIG 20

MAINTENANCE

CLEANING

Avoid using solvents when cleaning plastic parts. Most plastics are susceptible to damage from various types of commercial solvents and may be damaged by their use. Use clean cloths to remove dirt, dust, oil, grease, etc.

⚠ WARNING: Do not at any time let brake fluids, gasoline, petroleum-based products, penetrating oils, etc., come in contact with plastic parts. Chemicals can damage, weaken or destroy plastic which may result in serious personal injury.

Electric tools used on fiberglass material, wallboard, spackling compounds, or plaster are subject to accelerated wear and possible premature failure because the fiberglass chips and groundings are highly abrasive to bearings, brushes, commutators, etc. Consequently, we do not recommend using this tool for extended work on these types of materials. However, if you do work with any of these materials, it is extremely important to clean the tool using compressed air.

LUBRICATION

This tool is permanently lubricated at the factory and requires no additional lubrication.

TWO-YEAR LIMITED WARRANTY

This product is warranted free from defects in material and workmanship for 2 years after date of purchase. This limited warranty does not cover normal wear and tear or damage from neglect or accident. The original purchaser is covered by this warranty and it is not transferable. Prior to returning your tool to store location of purchase, please call our Toll-Free Help Line for possible solutions. ***THIS PRODUCT IS NOT WARRANTED IF USED FOR INDUSTRIAL OR COMMERCIAL PURPOSES. ACCESSORIES INCLUDED ARE NOT COVERED BY THE 2 YEAR WARRANTY.***

TOLL-FREE HELP LINE

For questions about this or any other GENESIS Product,

Please call Toll-Free: **888-552-8665**. (Mon-Fri, 9:00 am to 4:30 pm EST.)

Or visit our web site: **www.richpowerinc.com**

PONCEUSE À COURROIE / À DISQUE DE 4,5 AMP

Manuel d'utilisation

Spécifications:


- Modèle: GBDS450
- Tension nominale: 120V~ 60HZ
- Puissance d'entrée nominale: 4.5 A
- Vitesse de rotation sans charge: 2950 RPM
- Dimensions de la courroie: 100 mm x 914 mm (4 po x 36 po)
- Dimensions de la disque: 150mm (6")
- Dimensions de la table: 225mm x 160 mm (8-7/8" x 6-1/4")
- Plage d'inclinaison de la table: 0°-45°
- Plage d'inclinaison de la courroie: 0°-90°

Comprend: Table, Guide D'onglet et Clés.

⚠ AVERTISSEMENT: Pour réduire le risque de blessure, l'utilisateur doit lire et assimiler ce manuel d'utilisation avant de se servir de l'outil. Conservez ce manuel comme référence ultérieure.

Numéro d'aide sans frais: 1-888-552-8665.

⚠ AVERTISSEMENT: L'utilisation de tout outil électrique peut causer la projection d'objets étrangers dans vos yeux, pouvant entraîner de sérieux dommages. Avant de commencer à vous servir de l'outil, portez toujours des lunettes de sécurité ou avec des écrans latéraux de protection, et une protection faciale complète si nécessaire. Nous recommandons le port d'un masque à vision large par dessus les lunettes. Portez toujours une protection oculaire qui est marquée comme en conformité avec ANSI Z87.1.



Repérez ce symbole qui signale d'importantes précautions de sécurité. Cela veut dire faites attention ! Votre sécurité est en jeu.

RÈGLES GÉNÉRALES DE SÉCURITÉ

⚠ AVERTISSEMENT: Certaines poussières produites par des appareils électriques de ponçage, sciage, meulage, perçage et autres travaux de construction contiennent des produits chimiques connus pour causer cancer, anomalies congénitales et autres atteintes à la reproduction. Voici quelques exemples de ces produits nocifs :

- plomb des peintures au plomb,
- silice cristalline des briques et du béton et d'autres matériaux de construction,
- arsenic et chrome de bois d'œuvre traité chimiquement.

Votre risque en cas d'exposition varie, selon la fréquence d'exécution de ce type de tâches. Pour réduire votre exposition à ces produits : travaillez dans une zone bien ventilée en portant un équipement de sécurité approuvé, tel que masque à poussières spécialement conçu pour filtrer les particules microscopiques.

⚠ AVERTISSEMENT: LISEZ ET ASSIMILEZ TOUS LES AVERTISSEMENTS, MISES EN GARDE ET INSTRUCTIONS D'UTILISATION AVANT DE VOUS SERVIR DE CET ÉQUIPEMENT. Sinon vous risquez commotion électrique, début d'incendie et/ou blessures corporelles.

CONSERVEZ CES INSTRUCTIONS

LIEU DE TRAVAIL:

- **Gardez propre la zone de travail.** Les zones et établis en désordre attirent les accidents.
- **Ne pas utiliser d'outils électriques dans des atmosphères explosives,** par exemple en présence de liquidés, gaz ou poussières inflammables. Les outils électriques produisent des étincelles risquant d'enflammer les poussières ou vapeurs.
- **Garder les badauds, enfants et visiteurs à l'écart pendant l'utilisation d'un outil électrique.** Les distractions peuvent causer une perte de contrôle.

SÉCURITÉ ÉLECTRIQUE

- **La puissance des bouchons outil doit correspondre à la prise électrique.** Ne jamais modifier la prise en aucune façon. Ne pas utiliser d'adaptateur de bouchons dans toute la terre (la terre) les outils électriques. Les outils à double isolation sont équipés d'une fiche polarisée (une broche est plus large que l'autre).. Cette fiche ne peut être branchée sur une prise polarisée que dans un seul sens. Si la fiche ne peut pas être insérée dans la prise, l'inverser. Si vous ne pouvez toujours pas être l'insérer, faire installer une prise polarisée par un électricien qualifié. Ne pas modifier la fiche, de quelque façon que ce soit. La double isolation élimine le besoin de cordon d'alimentation à trois fils et d'un circuit secteur mis à la terre.
- **NE PAS exposer les outils électriques à la pluie ou l'humidité.** La pénétration d'eau dans ces outils accroît le risque de choc électrique.
- **Éviter tout contact du corps avec des surfaces mises à la terre,** telles que tuyaux, radiateurs, cuisinières et réfrigérateurs. Le risqué de choc électrique est accru lorsque le corps est mis à la terre.
- **NE PAS maltraiter le cordon d'alimentation.** Ne jamais utiliser le cordon d'alimentation pour transporter l'outil et ne jamais débrancher ce dernier en tirant sur le cordon. Garder le cordon à l'écart de la chaleur, de l'huile, des objets tranchants et des pièces en mouvement. Remplacer immédiatement tout cordon endommagé. Un cordon endommagé accroît le risque d'électrocution.
- **Lorsque l'exploitation d'un pouvoir en dehors des outils,** l'utilisation d'une rallonge électrique pour une utilisation extérieure. Ces cordons sont prévus pour une utilisation à l'extérieur et de réduire le risque de choc électrique.
- **NE PAS utiliser l'AC notées les outils d'une alimentation en courant continu.** Même si l'outil semble fonctionner, les composants électriques de l'AC notées outil sont susceptibles d'échouer et d'accroître le risque pour l'opérateur.

SÉCURITÉ PERSONNELLE

- **Rester attentif, prêter attention au travail et faire prévue de bon sens lors de l'utilisation de tout outil électrique.** Ne pas utiliser cet outil en état de fatigue ou sous l'influence de l'alcool, de drogues ou de médicaments. Un moment d'inattention pendant l'utilisation d'un outil électrique peut entraîner des blessures graves.

- **Utiliser l'équipement de sécurité. Toujours porter une protection oculaire.** Suivant les conditions, le port d'un masque filtrant, de chaussures de sécurité, d'un casque ou d'une protection auditive est recommandé.
- **Portez une tenue appropriée.** Ne portez pas de vêtements flottants, gants, cravate, bracelets, montre de poignet ou autres bijoux qui peuvent être happés par des pièces en mouvement. Le port de chaussures antidérapantes est recommandé, ainsi que le port d'une couverture des cheveux s'ils sont longs.
- **Évitez d'un démarrage accidentel.** S'assurer que le commutateur est en position arrêt avant de brancher po. De transport outil avec le doigt sur l'interrupteur ou de brancher des outils électriques qui sont le commutateur invite accidents.
- **Enlevez les clés et outils de réglage avant de mettre en marche.** Les clés, clavettes, déchets et autres débris peuvent être projetés à grande vitesse, et ainsi causer des graves blessures..
- **NE travaillez pas à bout de bras.** Gardez une bonne posture et un bon équilibre en permanence, un déséquilibre peut amener votre chute sur la machine en action, avec possibilité de blessure.
- **Si dispositifs sont prévus pour la connexion d'extraction des poussières et des installations de collecte,** d'assurer ceux-ci sont connectés et utilisés correctement. L'utilisation de ces appareils peut réduire les risques liés à la poussière. Ne pas utiliser l'outil sur une échelle ou un support instable. Une bonne tenue et un bon équilibre permettent de mieux contrôler l'outil en cas de situation imprévue.
- **Maintenez l'outil sec, propre et sans huile ou graisse.** Utilisez toujours un chiffon propre pour le nettoyage. N'utilisez jamais de fluide pour freins, d'essence, de produits à base de pétrole, ni n'importe quel type de solvant pour nettoyer l'outil.

UTILISATION ET ENTRETIEN DE L'OUTIL

- **Sécurisation de la pièce à travailler.** Utilisez des serre-joints ou un étau pour maintenir la pièce travaillée quand c'est possible. C'est plus sûr que de se servir de sa ou ses mains et permet de garder ses deux mains libres pour actionner l'outil. La perte de contrôle de la pièce travaillée peut entraîner des blessures corporelles.
- **NE forcez pas sur l'outil.** L'outil effectuera la tâche de façon meilleure et plus sûre à la vitesse de pénétration pour laquelle il a été conçu. Forcer sur l'outil peut éventuellement endommager la machine et entraîner des blessures.
- **Utilisez le bon outil pour la tâche.** Ne forcez pas sur l'outil ou accessoire pour exécuter une tâche pour laquelle il n'a pas été conçu. N'utilisez pas l'outil pour une finalité non prévue car vous risquez des dégâts matériels et/ou des blessures corporelles.
- **N'utilisez pas l'outil si son interrupteur de marche/arrêt fonctionne mal.** Faites immédiatement remplacer les interrupteurs défectueux par un centre de réparations agréé.
- **Débrancher l'outil avant d'effectuer des réglages,** de changer d'accessoire ou de ranger l'outil. Ces mesures de sécurité réduisent les risques de démarrage accidentel de l'outil.
- **Ranger les outils non utilisés hors de portée des enfants et des personnes n'ayant pas reçu de formation adéquate.** Entre les mains de personnes n'ayant pas reçu de formation adéquate, les outils sont dangereux.

- **Entretien soigneusement les outils.** Vérifier qu'aucune pièce mobile n'est mal alignée, grippée ou brisée et s'assurer qu'aucun autre problème ne risqué d'affecter le bon fonctionnement de l'outil. En cas de dommages, faire réparer l'outil avant de l'utiliser de nouveau. De nombreux d'accidents sont causés par des outils mal entretenir.
- **N'utilisez que des accessoires recommandés.** L'utilisation d'accessoires et équipements annexes non recommandés par le constructeur ou non prévus pour être utilisés sur ce type d'outil peut causer des dégâts matériels et/ou des blessures corporelles pour l'utilisateur. Consultez le manuel d'utilisation pour connaître les accessoires recommandés.
- **Maintenir des outils de coupe nette et propre.** Bien entretenu avec des outils de coupe de pointe sont moins susceptibles de lier et sont plus faciles à contrôler.
- **Poussez la pièce à travailler dans la bonne direction à la bonne vitesse.** N'envoyez la pièce vers la lame le couteau ou la surface abrasive, selon la machine, que en sens opposé à la rotation de l'outil de coupe. Une mauvaise présentation de la pièce dans le même sens que la rotation de l'outil de coupe fait que la pièce est projetée à grande vitesse.
- **NE jamais laisser l'outil en marche sans surveillance.** Éteignez l'appareil. Ne laissez pas l'outil jusqu'à ce qu'il arrive à un arrêt complet.
- **NE démarrez jamais un outil quand un composant rotatif est déjà en contact avec la pièce travail lée.**

SERVICE

- **Demandez à votre outil électrique à être desservie par une personne qualifiée en utilisant** uniquement des pièces identiques. Cela permettra de s'assurer que la sécurité de l'outil électrique est maintenue.
- **L'entretien de votre outil électrique périodiquement.** Lors du nettoyage d'un outil, faire attention à ne pas démonter une partie de l'outil en raison de câbles électriques peuvent être égarés ou pincé.

CONSERVEZ CES INSTRUCTIONS

⚠ AVERTISSEMENT: LISEZ ET ASSIMILEZ TOUS LES AVERTISSEMENTS, MISES EN GARDE ET INSTRUCTIONS D'UTILISATION AVANT DE VOUS SERVIR DE CET ÉQUIPEMENT. Sinon vous risquez commotion électrique, début d'incendie et/ou blessures corporelles.

CORDONS RALLONGES

Les outils mis à la terre nécessitent un cordon rallonge à trois fils. Les outils à double isolation peuvent utiliser des cordons rallonge indifféremment à deux ou trois conducteurs. Plus augmente la distance depuis la prise d'alimentation, plus le calibre de la rallonge devra être important. L'utilisation de cordons rallonges avec des fils mal calibrés peut provoquer une importante chute de tension d'entrée, d'où une perte de puissance et de possibles dommages pour l'outil. Reportez-vous au tableau pour déterminer la taille minimum requise pour les fils.

Plus le numéro de calibre de fil est faible, plus importante est la capacité en courant du cordon. Par exemple un calibre 14 peut transporter un courant plus fort qu'un fil de calibre 16. Quand vous utilisez plus d'un cordon d'extension pour obtenir la longueur totale, assurez-vous que chacun contient au moins le calibre minimum de fils requis. Si vous utilisez un câble d'extension pour alimenter plus d'un outil, ajoutez les ampérages de leurs plaques signalétiques et utilisez cette somme pour déterminer le calibre minimum des fils.

Conseils d'utilisation de cordons rallonges

- Si vous utilisez un cordon rallonge à l'extérieur, assurez-vous qu'il est marqué du suffixe « W-A » (W seulement au Canada), qui indique qu'il convient bien à une utilisation à l'extérieur.
- Assurez-vous que votre cordon rallonge est correctement câblé et en bonne condition électrique. Remplacez toujours un cordon rallonge endommagé ou faites-le réparer par une personne qualifiée avant de l'utiliser.
- Protégez vos cordons rallonges des angles et objets tranchants, de la chaleur excessive, et des zones humides ou mouillées.

Calibre de fil minimum recommandé pour cordons de rallonge (en 120 Volts)

Ampérage nominal (à pleine charge)	Longueur du cordon de rallonge					
	7.6 m 25 Feet	15.2 m 50 Feet	22.9 m 75 Feet	30.5 m 100 Feet	45.7 m 150 Feet	61.0 m 200 Feet
0-2.0	18	18	18	18	16	16
2.1-3.4	18	18	18	16	14	14
3.5-5.0	18	18	16	14	12	12
5.1-7.0	18	16	14	12	12	10
7.1-12.0	18	14	12	10	8	8
12.1-16.0	14	12	10	10	8	6
16.1-20.0	12	10	8	8	6	6

RÈGLES DE SÉCURITÉ SPÉCIFIQUES POUR PONCEUSES À COURROIE / À DISQUE

⚠ AVERTISSEMENT: NE laissez PAS une fausse sécurité s'installer provoquée par confort et familiarité avec le produit (suite à des utilisations répétées) remplacer la stricte application des règles de sécurité pour la scie à onglets. Si vous utilisez cet outil dangereusement et incorrectement, vous pouvez subir de sérieuses blessures.

- **Assurez-vous que la ponceuse est sur une surface ferme et de niveau, et qu'elle est correctement assujettie** pour éviter tout risque de blessure à la suite d'un mouvement inattendu.
- **Débranchez la outil** avant de procéder à des changements, réglages, les réparations, l'entretien ou l'entreposage.
- **Arrêtez toujours la outil avant de la débrancher** afin d'éviter un démarrage accidentel lors du rebranchement de la outil.
- **Portez une protection oculaire et une masque anti-poussière.**
- **Ne pas faire fonctionner la ponceuse** jusqu'à ce qu'il soit assemblé et installé conformément aux instructions de ce manuel.
- **Ne pas utiliser la machine si l'interrupteur de marche et arrêt ne fonctionne pas.** Un interrupteur défectueux doit être remplacé immédiatement par un centre de réparation agréé et il ne faut pas utiliser la machine avant d'avoir fait les réparations.
- **Toujours supportez la pièce avec la guide à onglets, une support ou la table de travail.**

- **Gardez les doigts à distance des points de pincement** entre le logement et la courroie/le disque.
- **Maintenir un jeu de 1/16 po (1-2mm) au maximum entre la table/le support et la courroie ou le disque de ponçage.**
- **Maintenir l'alignement et le réglage de la tension appropriés pour la courroie de ponçage.**
- **Ne jamais poncez pas plus d'une pièce à la fois.**
- **Toujours avancer la pièce de gauche à droite** dans le sens inverse de la courroie tourne.
- **Faites extrêmement attention avec les ouvrages** très grands, très petits ou ayant des formes compliquées.
- **Évitez les opérations et positions maladroits où la main un feuillet inattendus** ou soudains qui pourraient faire en main ou les doigts de se déplacer dans la courroie de ponçage ou de disque.
- **Ne jamais se tenir en ligne avec le chemin de la pièce..**
- **Ne pas exposer la machine à la pluie ni l'utiliser dans des endroits humides.**
- **Mise à la terre requise.**

CONSERVEZ CES INSTRUCTIONS

VOTRE PONCEUSES À COURROIE / À DISQUE

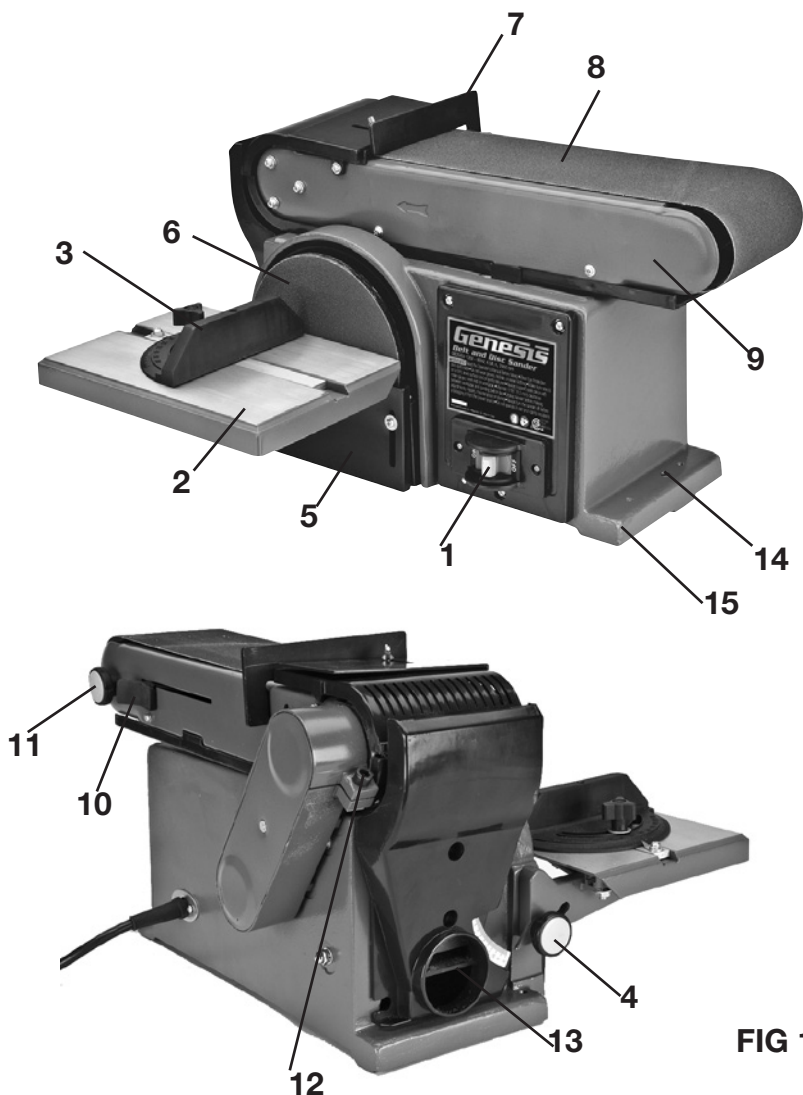
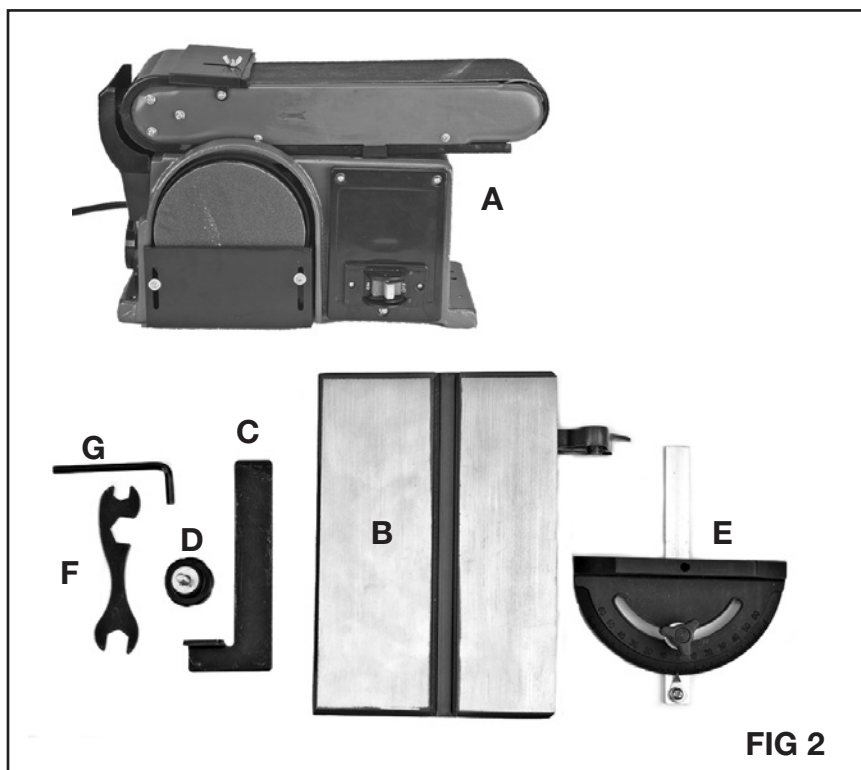


FIG 1

- | | |
|------------------------------------|--|
| 1. Interrupteur Marche-Arrêt | 9. Lit de la courroie |
| 2. Table | 10. Levier de réglage de la tension de la courroie |
| 3. Guide à onglets | 11. Bouton de contrôle de la courroie |
| 4. Bouton de verrouillage de table | 12. Vis de verrouillage du lit de la courroie |
| 5. Protection du disque | 13. Port des poussières |
| 6. Disque de ponçage | 14. Trous de montage |
| 7. Support de l'ouvrage | 15. Base |
| 8. Courroie de ponçage | |

OUVERTURE DE L'EMBALLAGE ET CONTENU

IMPORTANT: Grâce à des techniques modernes de production de masse, il est peu probable que l'outil est défectueux ou qu'une pièce est manquante. Si vous trouvez quelque chose de mal, ne pas faire fonctionner l'outil jusqu'à ce que les parties ont été remplacés ou la faute a été corrigée. Le fait de ne pas le faire pourrait entraîner des blessures graves.



Contenu de carton de pièces en vrac:

Item	Description	QUAN	Item	Description	QUAN
A	Ponceuses	1	E	Guide D'onglet	1
B	Montage sur table	1	F	Clé	1
C	Support de l'ouvrage	1	G	Clé Allen	1
D	Bouton de verrouillage de table	1		Manuel de l'opérateur(pas démontré)	1

⚠ AVERTISSEMENT: Si des pièces sont manquantes ou endommagées, n'essayez pas d'assembler la scie, branchez le cordon d'alimentation ou mettez le contacteur sur marche jusqu'à ce que les pièces absentes ou endommagées soient remplacées.

ASSEMBLAGE

⚠ AVERTISSEMENT: Toujours du lieu de la interrupteur éteint dans la position verrouillée et débranché de la source d'alimentation avant d'effectuer tout le montage, de réglages ou de changer d'accessoires.

Installation ou remplacement du disque de ponçage et du protection du disque (FIG 3)

Un 6 po. disque de ponçage (3) et la protection du disque (1) sont pré-installés en usine.

Pour remplacer le disque de ponçage

1. Débranchez la ponceuse à partir de la source d'alimentation.
2. L'aide d'un tournevis cruciforme, desserrer et retirer les deux vis (2) sur le protection du disque.
3. Retirez la protection du disque..
4. Retirez l'ancien disque de ponçage.
5. Retirez la pellicule d'un nouveau disque de ponçage. Aligner le périmètre du disque de ponçage plaque et appuyez fermement sur le disque en position.
6. Réinstaller la protection du disque, comme illustré sur la figure 3. Le protection du disque peut être ajusté de haut en bas pour couvrir disque de ponçage pour plus de protection.

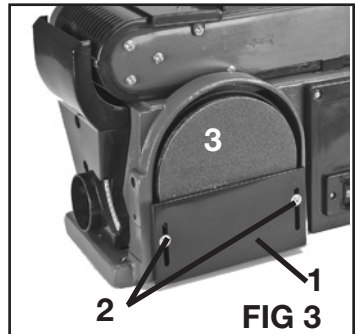


FIG 3

Installation ou remplacement de la courroie de ponçage (FIG 4, 5, 6)

Une courroie de ponçage est pré-installé et aligné à l'usine.

Pour remplacer la courroie de ponçage

REMARQUE: Utilisez 4po x 36po (100mm x 914mm) de ponçage. Sur le côté lisse de la courroie de ponçage, il ya une flèche directionnelle. La courroie de ponçage doit s'exécuter dans le sens de la flèche.

1. Débranchez la ponceuse à partir de la source d'alimentation.
2. Tirez le levier de réglage de la tension de la courroie (1) au sens indiqué sur la figure 4 à la libération tension de la courroie.
3. Desserrer et retirer les vis (3) de chaque côté du lit de courroie (8). Retirer le carter de courroie supérieure (5).
4. Desserrer et retirer les deux vis (4) de chaque côté du lit de courroie (8). Retirez la le carter de courroie inférieure (7).
5. Retirez la bosse de caoutchouc. (6).
6. Retirez la vieille bande de ponçage (10) du conducteur (9) et des rouleaux tendeur. Voir la figure 6
7. Placez une nouvelle courroie de ponçage sur le rouleau conducteur (9) et rouleau de renvoi (10) avec les flèches de direction en cours d'exécution dans le sens antihoraire. Assurez-vous que la bande de ponçage est centrée sur deux rouleaux .

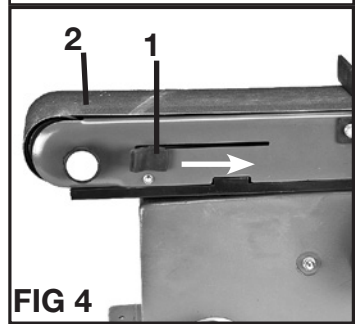


FIG 4

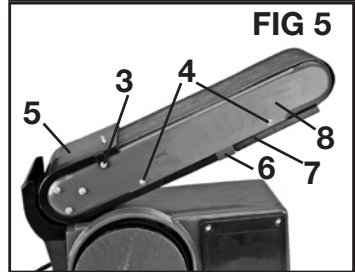


FIG 5

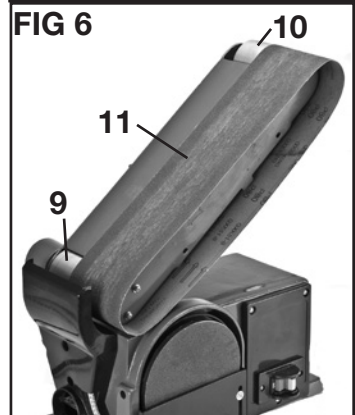


FIG 6

- Mettez la bosse de caoutchouc, le le carter de courroie inférieur et le carter de courroie supérieur à nouveau. Serrer les vis (3, 4) des deux côtés du lit de courroie (8) de maintenir des carters (5, 7) en place.
- Poussez le levier de réglage de la tension de la courroie (1) retour en place pour appliquer la tension de la courroie.

⚠ AVERTISSEMENT: La levier de réglage de la tension de la courroie est à ressort. Soyez prudent lorsque vous poussez le levier de réglage de la tension de la courroie remettre en place pour éviter les blessures.

Installation de la table de montage

Pour installer le montage sur table pour une utilisation avec disque de ponçage (FIG 7,8, 9)

- Débranchez la ponceuse à partir de la source d'alimentation.
- Insérez la goupille de position sur support de table dans le trou supérieur de l'outil. Voir la figure 7.
- Insérer le bouton de verrouillage de table (1) par une rondelle plate et la fente de support de table et dans le trou de la base comme indiqué sur la figure 7. Tour et serrer le bouton de verrouillage de table.
- Desserrer les écrous hexagonaux tête à trois au fond du support de table (figure 9) et ajuster la table pour s'assurer que le bord de la table n'est pas supérieure à 1 / 16 po (1-2mm) de la surface à poncer. Resserrez le bouton de verrouillage.

⚠ AVERTISSEMENT: pour éviter d'emprisonner la pièce ou d'un doigt entre la table et disque de ponçage, le bord de la table ne doit pas être plus de 1 / 16 po (1-2mm) de la surface à poncer.

Pour installer le montage sur table pour une utilisation avec la courroie de ponçage (FIG 9, 10, 11)

- Débranchez la ponceuse à partir de la source d'alimentation.
- Placez le lit de la courroie à la position verticale de ponçage. Reportez-vous à "Positionnement de la lit de la courroie".
- Insérez la goupille de position sur le support de la table dans le trou de position sur le lit courroie comme indiqué sur la figure 10.
- Insérer le bouton de verrouillage de table à travers une rondelle plate et la fente de support de table et dans le trou comme indiqué sur la figure 10. Tour et serrer le bouton de verrouillage de table (1).
- Desserrer les écrous hexagonaux tête à trois au fond du support de table (figure 9) et ajuster la table pour s'assurer que le bord de la table n'est pas supérieure à 1 / 16 po (1-2mm) de la surface à poncer. Resserrez le bouton de verrouillage.

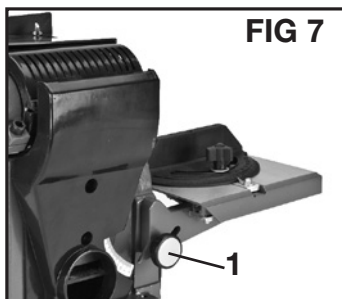


FIG 7



FIG 8

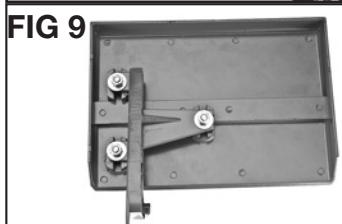


FIG 9

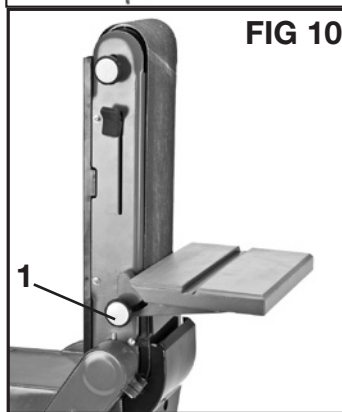


FIG 10

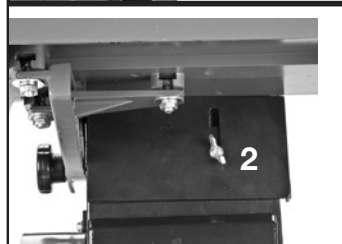
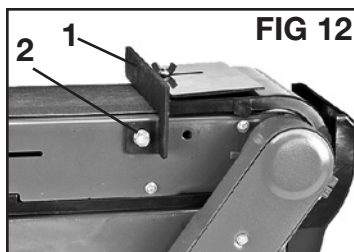


FIG 11

- Ajustez la plaque de protection (2) sous la table pour couvrir la courroie de ponçage exposés pour une protection supplémentaire. (FIG 11)

Installation du support de l'ouvrage (FIG 12)

- Débranchez la ponceuse à partir de la source d'alimentation.
- Placez le support de l'ouvrage (1) sur le trou dans le côté du boîtier de l'outil comme le montre la FIG 12.
- L'aide d'une clé fournie, fixez le support de l'ouvrage en place avec la rondelle et la vis à tête hexagonale (2).



Montage de la ponceuse à courroie et à disque

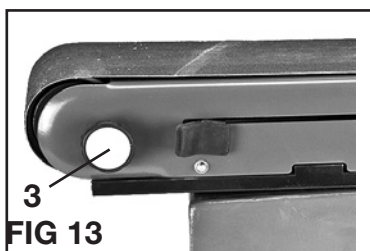
Si pendant le fonctionnement de la ponceuse à courroie et à disque, il ya une tendance à la ponceuse à glisser ou de marcher ou de se renverser, puis la ponceuse doit être fixé à une table de travail ou toute autre surface soutenir l'aide de fixations (non fourni) à travers les deux trous dans la base de la ponceuse.

RÉGLAGES

⚠ AVERTISSEMENT: Toujours du lieu de la interrupteur éteint dans la position verrouillée et débranché de la source d'alimentation avant d'effectuer tout le montage, de réglages ou de changer d'accessoires.

Réglage de l'alignement de la courroie (FIG 13)

- Branchez la ponceuse dans la source d'alimentation.
- Mettez l'interrupteur en marche (« On ») et immédiatement ensuite à l'arrêt (« Off »). Regardez si la courroie a tendance à glisser et à sortir de la poulie motrice ou de la poulie folle. Si ce n'est pas le cas, cela signifie qu'elle est ALIGNÉE correctement.
- Si la courroie de ponçage se déplace en direction du disque, tournez le bouton de contrôle de la courroie (3) d'un quart de tour dans le sens des aiguilles d'une montre.
- Si la courroie de ponçage se déplace dans la direction opposée à celle du disque, tournez le bouton de contrôle de la courroie (3) d'un quart de tour dans le sens contraire des aiguilles d'une montre.
- Mettez l'interrupteur en marche (« On ») et immédiatement ensuite à l'arrêt (« Off ») et observez le mouvement de la courroie. Procédez à un nouveau réglage du bouton de contrôle de la courroie si cela est nécessaire.

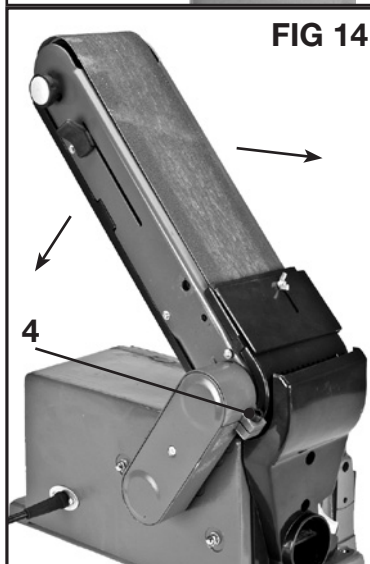


Positionnement de la lit de la courroie (FIG 14)

La vis de blocage (4) le verrouillage de la lit de la courroie en position horizontale ou verticale.

Pour régler la position de la lit de courroie

- Débranchez la ponceuse à partir de la source d'alimentation.



2. Desserrer la vis de blocage (4) en utilisant la clé Allen fournie.
3. Placez le lit de la courroie et resserrer la vis de blocage (4).

FONCTIONNEMENT

⚠ AVERTISSEMENT: Toujours du lieu de la interrupteur éteint dans la position verrouillée et débranché de la source d'alimentation avant d'effectuer tout le montage, de réglages ou de changer d'accessoires.

Interrupteur MARCHÉ/ARRÊT (FIG 15)

1. Pour mettre la ponceuse en MARCHÉ, mettez l'interrupteur (1) dans la position de marche (ON).
2. Pour l'ARRÊTER la ponceuse, mettez l'interrupteur dans la position d'arrêt (OFF).
3. Pour verrouiller l'interrupteur dans la position d'arrêt (OFF), étirez la clé de sécurité de l'interrupteur (2). Rangez la clé en lieu sûr.

⚠ AVERTISSEMENT: Toujours éteindre l'outil avant de le débrancher pour éviter un démarrage accidentel lors d'une nouvelle de brancher l'outil dans une source d'alimentation.

Port des Poussières

Votre ponceuse est un port des poussières de 2-1/4 "(13-fig1) situé sur le côté gauche de la ponceuse. Le port peut être connecté à un système de dépoussiérage.

Ponçage en biseau (FIG 16)

La table peut être inclinée de 0° à 45° pour effectuer un ponçage en position angulaire.

Pour régler la table à la position de biseau

1. Desserrez le bouton de verrouillage de la table et inclinez la table de travail à l'angle désirée.
2. Serrez à nouveau le bouton de verrouillage de la table.

Ponçage de petites surfaces d'extrémité à l'aide de la guide à onglets. (FIG 16)

Un guide à onglets est inclus avec l'outil. Utilisation de la guide à onglets est recommandé pour le ponçage d'un petit morceau sur le disque de ponçage.

1. Posez la pièce contre le bord du guide à onglets.
2. Déplacez toujours la pièce à travers le côté gauche du disque de ponçage.

Ponçage en surface sur la courroie de ponçage (FIG 17, 18)

La courroie de ponçage peut être utilisé verticalement ou horizontalement. En fonction de la pièce, le support de l'ouvrage peut être utilisé soit le fonctionnement horizontal ou vertical de ponçage. Pour surface de ponçage sur la courroie de ponçage, utilisez la position horizontale.

FIG 15

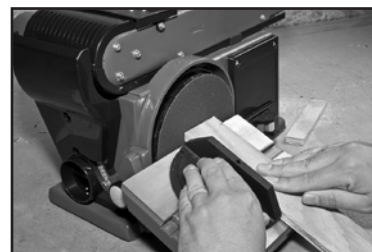
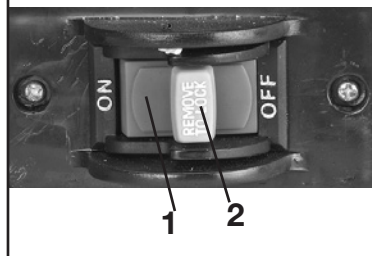


FIG 16



FIG 17

1. Maintenez la pièce fermement avec les deux mains, en gardant le doigt sur la courroie de ponçage.
2. Gardez la fin plaquée à la suspension des travaux et de faire progresser les travaux de manière uniforme sur la courroie de ponçage. Redoublez de prudence lorsque vous poncez une pièce très mince.
3. Appliquez juste assez de pression pour permettre à la courroie de ponçage pour enlever une petite quantité de la matière.

REMARQUE: Retirez le support de l'ouvrage lors du ponçage un long morceau.

Ponçage des bouts de l'ouvrage sur la courroie de ponçage (FIG 18)

Pour le ponçage des extrémités de la longue pièce, utilisez la courroie de ponçage en position verticale. Voir FIG 18

Utilisez le tableau au lieu de support de l'ouvrage.

Utilisez la guide à onglets sur la table pour plus de précision.

Ponçage de bords recourbés (FIG 19, 20)

Poncez toujours l'intérieur des parties recourbées sur la rouleau de renvoi comme cela est indiqué à la Figure 19.

⚠ AVERTISSEMENT: Ne tentez jamais de poncer les extrémités d'un ouvrage sur la rouleau de renvoi. L'application de l'extrémité de la pièce contre la rouleau de renvoi causerait la projection de la pièce vers le haut et risquerait de causer des blessures.

Poncez toujours l'extérieur des parties recourbées sur le côté gauche du disque de ponçage, comme cela est illustré à la Figure 20.

⚠ AVERTISSEMENT: L'application de la pièce sur le côté droit du disque risquerait de causer la projection de la pièce et causer des blessures.



FIG 18



FIG 19



FIG 20

ENTRETIEN

NETTOYAGE

Éviter d'utiliser des solvants pour le nettoyage des pièces en plastique. La plupart des matières plastiques peuvent être endommagées par divers types de solvants du commerce. Utiliser un chiffon propre pour éliminer la saleté, la poussière, l'huile, la graisse, etc.

⚠ AVERTISSEMENT: Ne jamais laisse de liquides tels que le fluide de freins, l'essence, les produits à base de pétrole, les huiles pénétrantes, etc., entrer en contact avec les pièces en plastique. Les produits chimiques peuvent endommager, affaiblir ou détruire le plastique, ce qui peut entraîner des blessures graves.

Les outils électriques utilisés sur la fibre de verre, le pla-coplâtre, les mastics de bouchage ou le plâtre s'usent plus vite et sont susceptibles de défaillance prématurée, car les particules et les éclats de fibre de verre sont fortement abrasifs pour les roulements, balais, commutateurs, etc. En conséquence, nous ne recommandons pas d'utiliser cet outil pour un travail prolongé avec ces types de matériaux. Toutefois, si l'outil a été utilisé sur l'un de ces matériaux, il est extrêmement important de le nettoyer à l'air comprimé.

LUBRIFICATION

Ce outils est lubrifiés en permanence à l'usine et ne nécessitent aucune lubrification supplémentaire.

GARANTIE DE DEUX ANS

Ce produit est garanti exempt de défauts dus au matériaux et à la main d'œuvre pendant 2 ans à compter de sa date d'achat. Cette garantie limitée ne couvre pas l'usure normale ni les détériorations ou dommages dus à négligence, utilisation anormale ou accident. L'acheteur d'origine est couvert par cette garantie mais elle n'est pas transférable. Avant de renvoyer votre l'outil au magasin d'achat, s'il vous plaît appelez sans frais la ligne d'aide pour les solutions possibles. ***CE PRODUIT N'EST PAS GARANTI S'IL EST UTILISÉ POUR DES FINS INDUSTRIELLES OU COMMERCIALES.***

LES ACCESSOIRES COMPRIS DANS CE KIT NE SONT PAS COUVERTS PAR LA GARANTIE DE 2 ANS.

LIGNE D'ASSISTANCE SANS FRAIS:

Pour vos questions sur ce produit ou un autre de GENESIS, veuillez utiliser en Amérique du Nord ce numéro d'appel sans frais: **888-552-8665**. (Mon.- Fri 9:00 am -4:30 pm EST.)

Ou visitez notre site web: **www.richpowerinc.com**

Français

LIJADORA DE DISCO Y CORREA, DE 4.5 AMP

Manual del Operario

Especificaciones:

- Modelo: GBDS450
- Voltaje nominal: 120V~, 60HZ
- Consumo nominal: 4.5 A
- Velocidad en vacío: 2950 RPM
- Tamaño de la correa: 100 mm x 914 mm (4" x 36")
- Tamaño de la disco: 150MM (6")
- Tamaño de la mesa: 225mm x 160 mm (8-7/8" x 6-1/4")
- Rango de inclinación de la mesa: 0°-45°
- Rango de inclinación de la correa: 0°-90°

Incluye: Mesa, Calibre de ingletes y Llaves.

⚠ ADVERTENCIA: Para reducir el riesgo de lesiones, el usuario debe leer y entender este manual del operario antes de operar esta herramienta. Guarde este manual para consultas futuras.

Línea de ayuda gratuita: 1-888-552-8665.



⚠ ADVERTENCIA: La operación de cualquier herramienta motorizada puede provocar el lanzamiento de objetos extraños hacia sus ojos, lo cual puede resultar en daño grave de los ojos. Antes de iniciar la operación con la herramienta, siempre colóquese gafas de seguridad con protectores laterales y cuando sea necesario, una careta de protección de toda la cara. Recomendamos las caretas de visión amplia para utilizar sobre las gafas de seguridad con protectores laterales. Siempre utilice protección de ojos que esté marcada indicando el cumplimiento de la norma ANSI Z87.1



Busque este símbolo que indica precauciones de seguridad importantes. Éste significa ¡¡¡atención!!! Su seguridad está involucrada.

REGLAS GENERALES DE SEGURIDAD

⚠ ADVERTENCIA: Algunos polvos producidos por actividades como lijar, aserrar, pulir, taladrar y otras actividades relacionadas con la construcción contienen productos químicos que se sabe causan cáncer, defectos de nacimiento u otros daños en el sistema reproductivo. Algunos ejemplos de estos productos químicos son:

- plomo procedente de pinturas de base de plomo,
- sílice cristalina procedente de ladrillos, cemento y otros productos de mampostería, y
- arsénico y cromo procedentes de la madera tratada químicamente.

El riesgo de estas exposiciones varía, dependiendo de la frecuencia con que se realiza este tipo de trabajo. Para reducir la exposición a estos productos químicos: trabaje en una área con buena ventilación y con los equipos de seguridad aprobados, tales como mascarillas antipolvo especialmente diseñadas para eliminar por filtración partículas microscópicas.

⚠ ADVERTENCIA: ANTES DE UTILIZAR ESTE EQUIPO, LEA Y ENTIENDA TODAS LAS ADVERTENCIAS, PRECAUCIONES E INSTRUCCIONES DE OPERACIÓN. No seguir todas las instrucciones enumeradas a continuación, podría resultar en una descarga eléctrica, un incendio y/o lesiones personales graves.

GUARDE ESTAS INSTRUCCIONES

ÁREA DE TRABAJO:

- **Mantenga limpia y bien iluminada el área de trabajo.** Una mesa de trabajo mal despejada y una mala iluminación son causas comunes de accidentes.
- **No utilice herramientas motorizadas en atmósferas explosivas,** como las existentes alrededor de líquidos, gases y polvos inflamables. Las herramientas eléctricas generan chispas que pueden encender el polvo y los vapores inflamables.
- **Mantenga alejados a los circunstantes,** niños y demás presentes al utilizar una herramienta eléctrica. Toda distracción puede causar la pérdida del control de la herramienta.

SEGURIDAD EN EL MANEJO DE EQUIPO ELÉCTRICO

- **La herramienta eléctrica enchufes debe coincidir con la toma de corriente.** Nunca modifique el enchufe de ninguna manera. No utilice ningún adaptador de enchufes en cualquier tierra (tierra) las herramientas eléctricas. Las herramientas con aislamiento doble están equipadas de una clavija polarizada (una patilla es más ancha que la otra). Esta clavija encaja de una sola forma en una toma de corriente polarizada. Si la clavija no encaja completamente en la toma de corriente, invierta la clavija. Si aún así no encaja, comuníquese con un electricista calificado para que instale una toma de corriente polarizada. No modifique la clavija de ninguna manera. Con el aislamiento doble se elimina la necesidad de usar cables de tres conductores y conexión a tierra, así como de sistemas de alimentación eléctrica con conexión a tierra.
- **No exponga las herramientas eléctricas a la lluvia ni a condiciones de humedad.** La introducción de agua en una herramienta eléctrica aumenta el riesgo de descargas eléctricas.
- **Evite el contacto del cuerpo con las superficies de objetos conectados a tierra,** como las tuberías, radiadores, estufas y refrigeradores. Existe un mayor riesgo de descargas eléctricas si el cuerpo está en contacto con tierra.
- **No maltrate el cordón eléctrico.** Nunca use el cordón eléctrico para portar las herramientas ni para sacar la clavija de una toma de corriente. Mantenga el cordón lejos del calor, aceite, bordes afilados y piezas móviles. Cambie de inmediato todo cable eléctrico dañado. Los cordones eléctricos dañados aumentan el riesgo de descargas eléctricas.
- **Al utilizar una herramienta eléctrica en el exterior,** utilice un cordón eléctrico de extensión que lleve las marcas "W-A o "W". . Estos cordones eléctricos están aprobados para el uso en exteriores y reducen el riesgo de descargas eléctricas.
- **No utilice el adaptador de CA evaluado las herramientas con un suministro de corriente.** Si bien la herramienta puede parecer que el trabajo, los componentes eléctricos de la herramienta de CA nominal es probable que no y plantear un peligro para el operador.

SEGURIDAD PERSONAL

- **Permanezca alerta**, preste atención a lo que esté haciendo y aplique el sentido común al utilizar herramientas eléctricas. No utilice la herramienta si está cansado o se encuentra bajo los efectos de alguna droga, alcohol o medicamento. Un momento de inatención al utilizar una herramienta eléctrica puede causar lesiones corporales serias.
- **Use equipo de seguridad**. Siempre póngase protección para los ojos. Cuando lo exijan las circunstancias debe ponerse careta contra el polvo, zapatos de seguridad antiderrapantes, casco o protección auditiva
- **Vístase adecuadamente**. No vista ropas holgadas ni joyas. Recójase el cabello si está largo. Mantenga el cabello, la ropa y los guantes alejados de las piezas móviles. Las ropas holgadas, las joyas y el cabello largo pueden engancharse en las piezas móviles.
- **Evite un arranque accidental de la unidad**. Asegúrese que el interruptor está apagado antes de conectar la unidad. Llevar las herramientas con el dedo en el interruptor o conectarlas con el interruptor puesto es causa común de accidentes.
- **Retire toda llave o herramienta de ajuste antes de encender la herramienta eléctrica**. Toda llave o herramienta de ajuste dejada en una pieza giratoria de la herramienta eléctrica puede causar lesiones.
- **No estire el cuerpo para alcanzar un distancia mayor a la natural**. Mantenga una postura firme y buen equilibrio en todo momento. La postura firme y el buen equilibrio permiten un mayor control de la herramienta en situaciones inesperadas.
- **Si los aparatos que se ofrecen para la conexión de extracción de polvo y de instalaciones de recogida**, asegurar que estos están conectados y se utilizan adecuadamente. El uso de estos dispositivos puede reducir los riesgos relacionados con el polvo.
- **No utilice la unidad al estar en una escalera o en un soporte inestable**. Una postura estable sobre una superficie sólida permite un mejor control de la herramienta en situaciones inesperadas.
- **Mantenga la herramienta seca**, limpia y libre de aceite y grasa. Siempre utilice un trapo limpio para realizar actividades de limpieza. Nunca utilice fluidos de freno, gasolina, productos de base de petróleo, ni ningún solvente, para limpiar la herramienta.

EMPLEO Y CUIDADO DE LA HERRAMIENTA

- **Asegure la pieza de trabajo**. Utilice prensas de sujeción o una prensa de banco para sostener la pieza de trabajo cuando sea posible. Utilizar prensas de sujeción o dispositivos mecánicos similares es más seguro que utilizar su mano(s) y le permite utilizar ambas manos para operar la herramienta. Perder el control de la pieza de trabajo puede causar lesiones personales.
- **No fuerce la herramienta**. Utilice la herramienta adecuada para cada tarea. La herramienta adecuada efectúa mejor y de manera más segura el trabajo, si además se maneja a la velocidad para la que está diseñada.
- **Utilice la herramienta correcta para el trabajo**. No fuerce la herramienta o accesorio utilizándolo en un trabajo para el cual no fue diseñado. No utilice la herramienta para un propósito para el cual no está diseñada ya que podría producirse daño a la máquina y/o lesiones personales.
- **No utilice la herramienta si el interruptor no realiza la operación de encendido y apagado**. Solicite a un centro de servicio autorizado que reemplace los interruptores defectuosos.

- **Apague la máquina**, y desconecte la máquina de la fuente de energía antes de ajustar o cambiar los valores de ajuste, o al realizar reparaciones. Podría ocurrir un arranque accidental que cause lesiones personales.
- **Guarde las herramientas que no estén en uso fuera del alcance de los niños** y de toda persona no capacitada en el uso de las mismas. Las herramientas son peligrosas en manos de personas no capacitadas en el uso de las mismas.
- **Proporcione mantenimiento con cuidado a las herramientas.** Revise para ver si hay desalineación o atoramiento de piezas móviles, ruptura de piezas o toda otra condición que pueda afectar el funcionamiento de la herramienta. Si se daña la herramienta, llévela a servicio antes de volver a utilizarla. Numerosos accidentes son causados por herramientas mal cuidadas.
- **Utilice los accesorios recomendados.** Utilizar accesorios no recomendados por el fabricante o no diseñados para uso en una herramienta de este tipo, podría causar daño a la máquina o lesiones personales al usuario. Consulte el manual del operario para conocer los accesorios recomendados.
- **Mantenga las herramientas de corte afiladas y limpias.** Las herramientas de corte bien cuidadas, con bordes bien afilados, tienen menos probabilidad de atascarse en la pieza de trabajo y son más fáciles de controlar.
- **Empuje la pieza de trabajo en la dirección y velocidad correctas.** Empuje la pieza de trabajo dentro de la hoja, cuchilla o superficie abrasiva únicamente en dirección contraria a la dirección de rotación de la herramienta de corte. El empuje incorrecto de la pieza de trabajo en la misma dirección de rotación de la herramienta de corte provoca que la pieza de trabajo sea lanzada a alta velocidad.
- **Nunca deje la herramienta funcionando sin supervisión.** Desactive la energía. No abandone la máquina hasta que se haya detenido por completo.
- **Nunca arranque una herramienta cuando cualquier componente giratorio está en contacto con la pieza de trabajo.**

SERVICIO

- **HAN toolto su poder ser reparado por una persona cualificada de reparación utilizando sólo repuestos idénticos.** Esto garantizará que la seguridad de la herramienta de poder se mantiene.
- **Servicio de su herramienta eléctrica periódicamente.** Cuando una herramienta de limpieza, cuidado de no desmontar cualquier parte de la herramienta interna, porque los cables pueden ser apretado fuera de lugar.

⚠ ADVERTENCIA: ANTES DE UTILIZAR ESTE EQUIPO, LEA Y ENTIENDA TODAS LAS ADVERTENCIAS, PRECAUCIONES E INSTRUCCIONES DE OPERACIÓN. No seguir todas las instrucciones enumeradas a continuación, podría resultar en una descarga eléctrica, un incendio y/o lesiones personales graves.

GUARDE ESTAS INSTRUCCIONES

CABLES DE EXTENSIÓN

Las herramientas de conexión a tierra requieren un cable de extensión de tres alambres. Las herramientas de aislamiento doble pueden utilizar un cable de extensión de dos o tres alambres. A medida que aumenta la distancia desde el tomacorriente de suministro de energía, usted debe utilizar un cable de extensión de mayor calibre. Utilizar cables de extensión con alambre de dimensiones inadecuadas causa una caída grande del voltaje, lo que resulta en pérdida de energía y posible daño a la herramienta. Consulte la tabla mostrada enseguida para determinar el tamaño de alambre mínimo requerido.

Entre más pequeño sea el número de calibre del alambre, mayor es la capacidad del cable. Por ejemplo: un cable de calibre 14 puede transportar más corriente que un cable de calibre 16. Cuando se utiliza más de un cable de extensión para conformar la longitud total, verifique que cada cable contiene como mínimo el tamaño de alambre mínimo requerido. Si usted está utilizando un cable de extensión para más de una herramienta, sume los amperios indicados en la placa de datos de cada herramienta y utilice la suma para determinar el tamaño de alambre mínimo requerido.

Pautas para utilizar cables de extensión

- Si usted está utilizando un cable de extensión en exteriores, verifique que esté marcado con el sufijo “W-A” (“W” en Canadá) que indica que es aceptable para uso en exteriores.
- Verifique que su cable de extensión tiene los alambres apropiados y que está en buenas condiciones eléctricas. Siempre reemplace un cable de extensión dañado o hágalo reparar por una persona calificada antes de utilizarlo.
- Proteja sus cables de extensión contra objetos cortantes, calor excesivo y áreas mojadas o húmedas.

Calibre de alambre mínimo recomendado para cables de extensión (120 Voltios)

Amperios según la placa de datos (a plena carga)	Longitud del cable de extensión					
	25 pies	50 pies	75 pies	100 pies	150 pies	200 pies
0–2.0	18	18	18	18	16	16
2.1–3.4	18	18	18	16	14	14
3.5–5.0	18	18	16	14	12	12
5.1–7.0	18	16	14	12	12	10
7.1–12.0	18	14	12	10	8	8
12.1–16.0	14	12	10	10	8	6
16.1–20.0	12	10	8	8	6	6

REGLAS DE SEGURIDAD ESPECÍFICAS PARA LIJADORAS DE DISCO Y CORREA

⚠️ ADVERTENCIA: NO permita que la confianza o familiaridad con el producto (lograda después del uso repetido) reemplace el estricto cumplimiento de estas reglas de seguridad para sierras ingleteadoras. Si usted utiliza esta herramienta de manera insegura o incorrecta, usted puede sufrir graves lesiones personales.

- **Asegúrese de que la lijadora de disco/correa esté sobre una superficie firme y nivelada** para evitar lesiones por causa de un movimiento inesperado.
- **Desenchufe la herramienta** antes de hacer los ajustes, reparaciones, mantenimiento o almacenamiento.
- **Siempre apague la herramienta** antes de desenchufarla a fin de evitar la puesta en marcha accidental cuando vuelva a enchufarla.

- **Usar protección ocular y máscara antipolvo.**
- **No haga funcionar la lijadora hasta** que esté montada e instalada conforme a las instrucciones de este manual.
- **No use la máquina si el interruptor no lo enciende ni apaga.** Los interruptores defectivos deben ser reemplazados inmediatamente por un centro de servicio autorizado y la máquina no usó bajo reparaciones completadas.
- **Soporte siempre la pieza de trabajo con el calibre de ingletes, el soporte o la mesa de trabajo.**
- **Mantenga los dedos alejados de los puntos de compresión** entre la carcasa y la correa o el disco .
- **Mantenga una holgura máxima de 1/16 de pulgada (1-2 mm) entre la mesa/los topes y la correa o el disco de lijar.**
- **Mantenga un ajuste apropiado de la tensión y la alineación de la correa de lijar.**
- **Nunca lije más de una pieza a la vez.**
- **Alimente siempre la pieza de trabajo de izquierda a derecha** en contra de la dirección en la que la correa de lijado esté girando.
- **Tenga precaución adicional con las piezas de trabajo muy grandes,** muy pequeñas o con forma complicada..
- **Evite las operaciones torpe y posiciones de las manos cuando** un deslizamiento inesperada o repentina que podrían hacer que la mano o los dedos para pasar a la correa de lijado o el disco.
- **Nunca se pare en la línea con la trayectoria de las piezas de trabajo.**
- **No exponga esta máquina para llover ó use en las situaciones húmedas.**
- **Se requiere conexión a tierra.**

GUARDE ESTAS INSTRUCCIONES

SU LIJADORAS DE DISCO Y CORREA

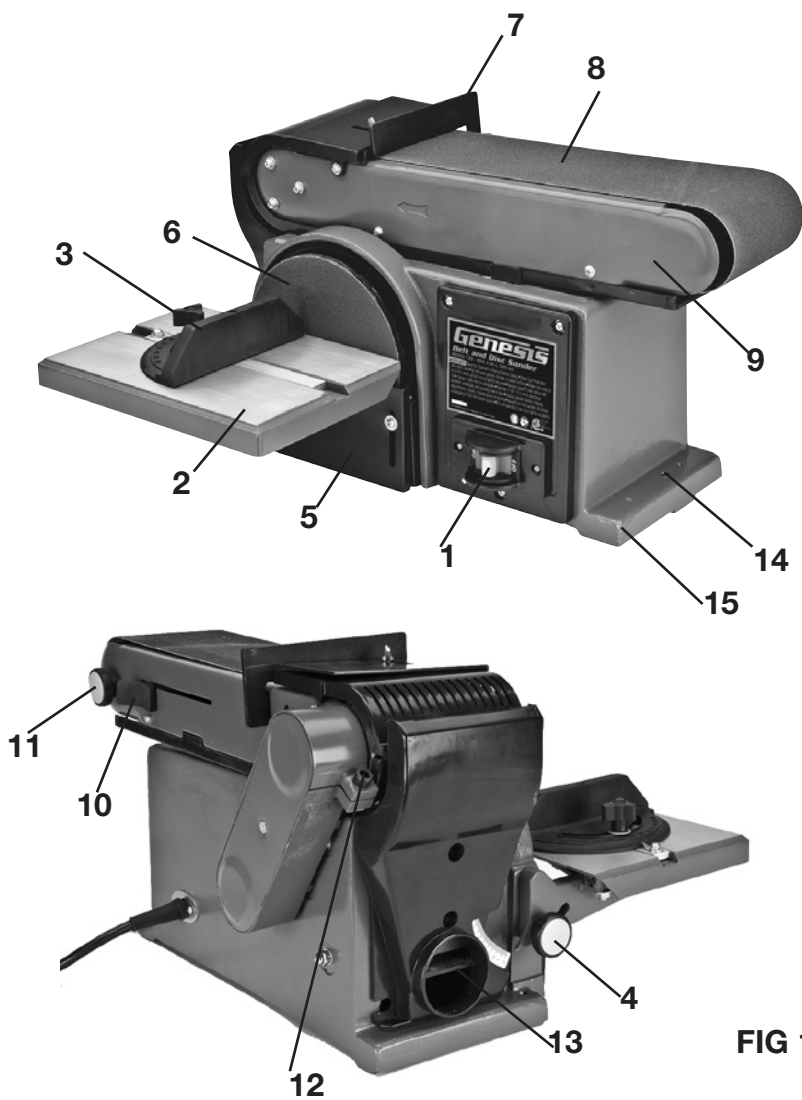


FIG 1

1. Interruptor de ENCENDIDO/APAGADO
2. Mesa
3. Calibre de ingletes
4. Pomo de fijación de la mesa
5. Protector del disco
6. Disco de lijar
7. Soporte de la pieza
8. Correa de lijar
9. Lecho de la correa

10. Palanca tensora de la correa
11. Pomo de ajuste de la trayectoria de la correa
12. Tornillo de fijación del lecho de la correa
13. Orificio para polvo
14. Agujeros de montaje
15. Base

DESEMPAQUETADO Y CONTENIDO

IMPORTANTE: Debido a las modernas técnicas de producción en masa, es poco probable que la herramienta esté defectuoso o que una parte se pierda. Si encuentra algo incorrecto, no opere la herramienta hasta que las partes han sido sustituidos o la falla ha sido corregida. El no hacerlo podría resultar en lesiones graves.

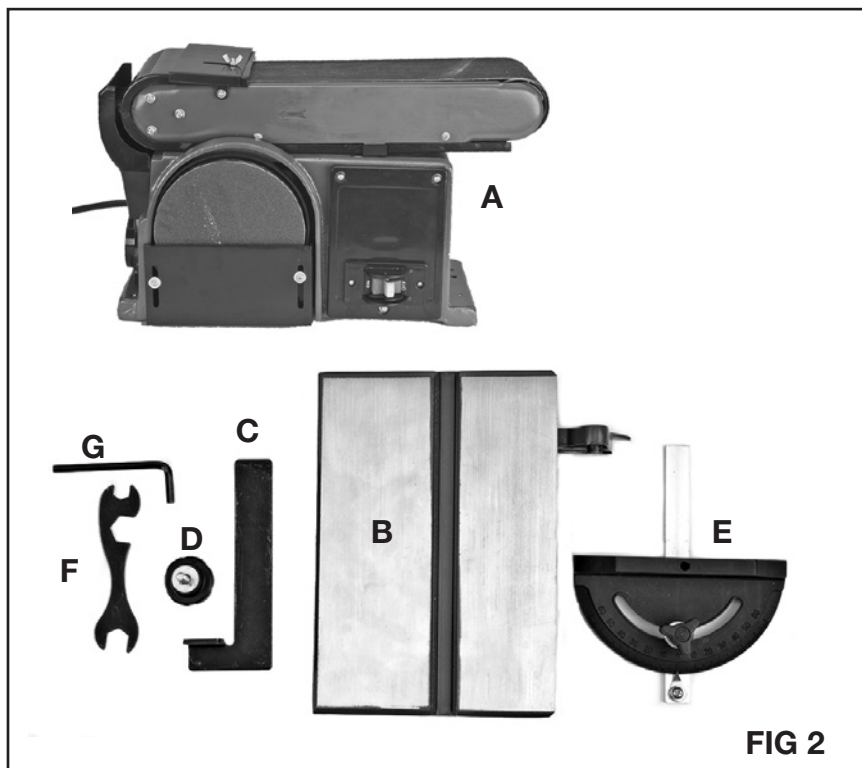


FIG 2

Piezas Sueltas en la Cartón: (FIG 2)

Item	Descripción	CANT.	Item	Descripción	CANT.
A	Lijadora de correa/disco	1	E	Calibre de ingletes	1
B	Ensamblaje de la mesa	1	F	Llave	1
C	Soporte de la pieza	1	G	Llave Allen	1
D	Pomo de fijación de la mesa	1		Manual del operador (no mostrado)	1

⚠ ADVERTENCIA: Si faltan partes o hay partes dañadas no intente instalar la sierra, no enchufe el cordón ni trate de encender la máquina hasta que reciba los repuestos necesarios.

ENSAMBLAJE

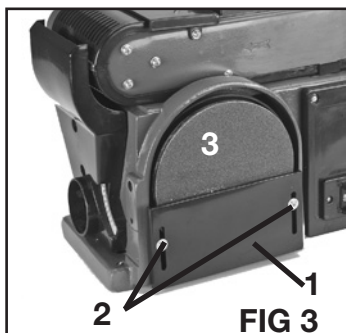
⚠ ADVERTENCIA: Asegúrese siempre de que la herramienta está apagada y desenchufada de la fuente de alimentación antes de ajustar, agregar accesorios, o control de una función en la herramienta.

Instalación o sustitución de disco de lijado y el protector (FIG 3)

Un 6" disco de lijado (3) y el protector de disco (1) son pre-instalado en la fábrica.

Para sustituir el disco de lijado

1. Desenchufe la lijadora de la fuente de alimentación.
2. Utilizando un destornillador Phillips, afloje y quite los dos tornillos (2) en el protector de disco.
3. Retire el protector de disco.
4. Retire el disco de lijado de edad.
5. Retire el papel protector de un nuevo disco de lijado. Alinear perímetro del disco con la placa de lijar y presione firmemente el disco en su posición.
6. Reinstalar el protector de disco como se muestra en la Figura 3. El protector del disco puede ajustarse hacia arriba y hacia abajo para cubrir disco de lijado para más protección.



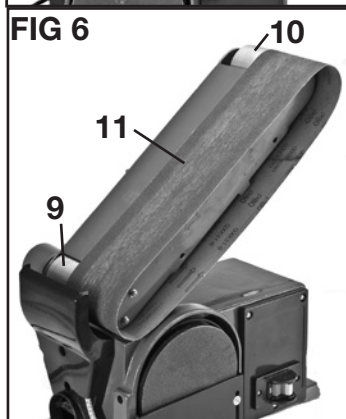
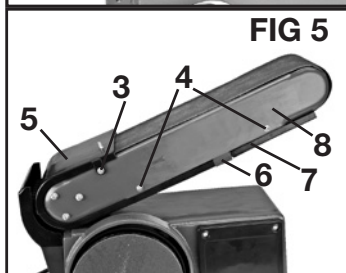
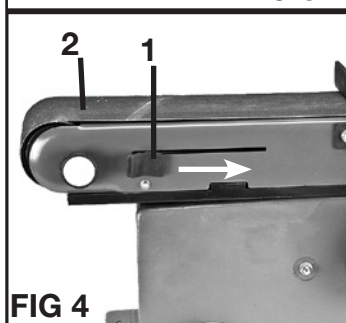
Instalación o sustitución de la correa de lijar (FIG 4, 5, 6)

Una correa de lijar se pre-instalado y ajustado en la fábrica.

Para sustituir la correa de lijar

NOTA: Utilice 4"X36" (100 mm x 914 mm) la correa de lijar. En el lado liso de la correa de lijar, hay una flecha direccional. La correa de lijar se debe ejecutar en la dirección de la flecha.

1. Desenchufe la lijadora de la fuente de alimentación.
2. Tire de la palanca de tensión de la correa (1) en dirección que se muestra en la Figura 4 para liberar la tensión de la correa.
3. Afloje y retire el tornillo (3) a cada lado de la lecho de la correa (8). Retire el protector de la correa superior (5).
4. Afloje y retire los dos tornillos (4) a cada lado de la lecho de la correa (8). Retire el protector de la correa inferior (7).
5. Retire el tope de goma (6).
6. Retire la correa de lijar (10) desde el controlador (9) y rodillos de rueda loca (10). Véase la figura 6.
7. Coloque una nueva correa de lijar sobre el rodillo conductor (9) y rodillo intermedio (10) con las flechas de dirección que va en contra las agujas del reloj. Asegúrese de que la correa de lijar esté centrada en dos rodillos.
8. Coloque el tope de goma, protector inferior de la correa y protector de la correa superior de nuevo. Apriete los tornillos (3, 4) a ambos lados de la lecho de la correa (8) para mantener a las protectores de la correa (5, 7) en su place.



9. Empuje la palanca de tensión de la correa (1) en su place de aplicar la tensión de la correa.

⚠ ADVERTENCIA: La palanca de tensión de la correa se carga en la primavera. Tenga cuidado al empujar la palanca de tensión en su lugar para evitar daños personales.

Instalación de el ensamblaje de la mesa

Para instalar el ensamblaje de la mesa para su uso con el disco de lijado (FIG 7, 8, 9)

1. Desenchufe la lijadora de la fuente de alimentación.
2. Inserte el pasador de posición sobre soporte de la mesa en el orificio superior de la herramienta. Véase la figura 7.
3. Inserte el pomo de fijación de la mesa (1) a través de una arandela plana y la ranura de la mesa de apoyo y en el agujero roscado de la base como se muestra en la Figura 7. Gire y apriete el pomo de fijación de la mesa.
4. Afloje los tres tuercas hexagonales de cabeza al fondo de soporte de la mesa (FIG 9) y ajustar la tabla para asegurarse que el borde de la mesa no es más que $1 / 16$ "(1-2mm) de la superficie de lijado. Apretar los tres tuercas hexagonales. Apretar el pomo de fijación de la mesa.

⚠ ADVERTENCIA: Para evitar que la pieza de trabajo o los dedos queden atrapados entre la mesa y la superficie de lijado, el borde de la mesa debe estar a un máximo de $1/16$ " (1-2 mm) de la superficie de lijado.

Para instalar el ensamblaje de la mesa para su uso con el correa de lijado (FIG 9, 10, 11)

1. Desenchufe la lijadora de la fuente de alimentación.
2. Retire el soporte de la pieza si está encendido.
3. Coloque la lecho de la correa en la posición vertical de lijado. Consulte "Posicionamiento del el lecho de la correa".
4. Inserte el pasador de posición sobre soporte de la mesa en el orificio de posición en la lecho de la correa como se muestra en la Figura 10.
5. Inserte el pomo de fijación de la mesa (1) a través de una arandela plana y la ranura de la mesa de apoyo y en el agujero roscado de la base como se muestra en la Figura 10. Gire y apriete el pomo de fijación de la mesa (1).
6. Afloje los tres tuercas hexagonales de cabeza al fondo de soporte de la mesa (FIG 9) y ajustar la tabla para asegurarse que el borde de la mesa no es más que $1 / 16$ "(1-2mm) de la superficie de lijado. Apretar los tres tuercas hexagonales. Apretar el pomo de fijación de la mesa.

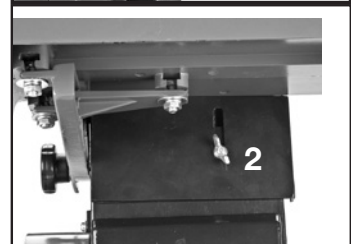
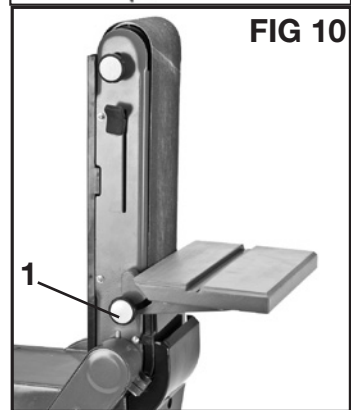
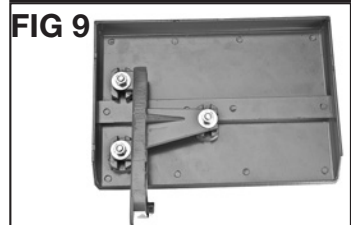
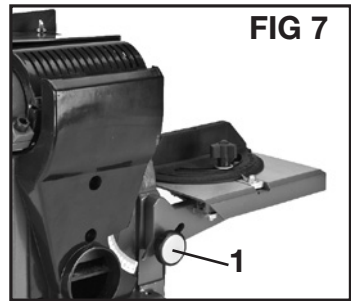
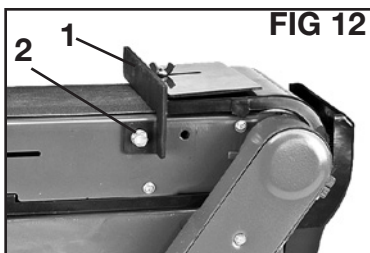


FIG 11

- Ajuste la placa de protección (2) debajo de la mesa para cubrir la banda de lijado expuestos para la protección adicional. (FIG 11)

Instalación de soporte de la pieza (FIG 12)

- Desenchufe la lijadora de la fuente de alimentación.
- Coloque el soporte de la pieza (1) sobre el agujero en el lado de la carcasa de la herramienta como se muestra en la Figura 12.
- Utilizando una llave suministrados, fijar el soporte de la pieza en su lugar con la arandela y el tornillo de cabeza hexagonal (2).



Montaje de la lijadora de correa y disco

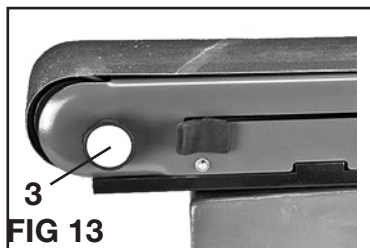
Si durante el funcionamiento de la lijadora de correa y disco, hay alguna tendencia a que el molino se deslice o "caminar" o se vuelque, a continuación, la lijadora debe fijarse a un banco de trabajo o en la superficie de apoyo con elementos de fijación (no suministrado) a través del dos agujeros en la base de lijadora.

AJUSTES

⚠ ADVERTENCIA: Asegúrese siempre de que la herramienta está apagada y desenchufada de la fuente de alimentación antes de ajustar, agregar accesorios, o control de una función en la herramienta.

Ajuste de la trayectoria de la correa (FIG 13)

- Conecte la lijadora en la fuente de alimentación.
- Ponga el interruptor en la posición de "ENCENDIDO" e inmediatamente en la posición de "APAGADO", fijándose en si la correa tiende a deslizarse y salirse del tambor loco o del tambor impulsor. Si la correa no tiende a deslizarse y salirse, está SIGUIENDO SU TRAYECTORIA apropiadamente.
- Si la correa de lijar se mueve hacia el disco, gire el pomo de ajuste de la trayectoria (3) 1/4 de vuelta en el sentido de las agujas del reloj.
- Si la correa de lijar se mueve alejándose del disco, gire el pomo de ajuste de la trayectoria (5) 1/4 de vuelta en sentido contrario al de las agujas del reloj.
- Ponga el interruptor en la posición de "ENCENDIDO" e inmediatamente en la posición de "APAGADO", fijándose en el movimiento de la correa. Si es necesario, reajuste el pomo de ajuste de la trayectoria.

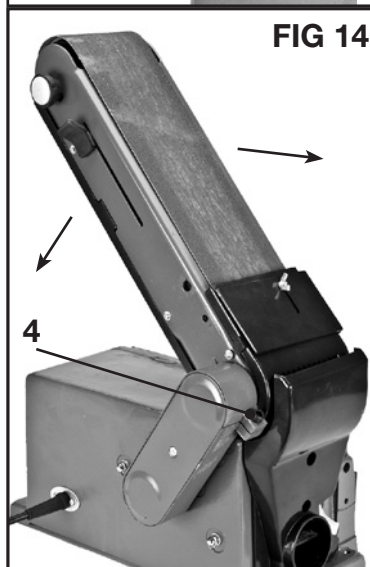


Posicionamiento del el lecho de la correa (FIG 14)

El tornillo de fijación del lecho de la correa (4) bloquea el lecho de la correa en posición horizontal o vertical.

Para ajustar la posición de la lecho de la correa

- Desenchufe la lijadora de la fuente de alimentación.
- Afloje el tornillo de fijación del lecho de la correa (4) utilizando una llave Allen suministrada
- Ajuste la posición de la lecho de la correa y reapriete el tornillo de fijación (4).



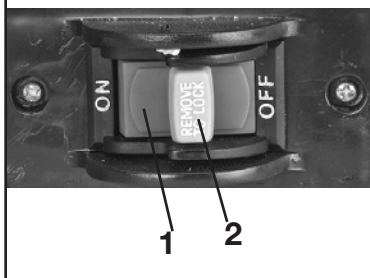
UTILIZACIÓN

⚠ ADVERTENCIA: Asegúrese siempre de que la herramienta está apagada y desenchufada de la fuente de alimentación antes de ajustar, agregar accesorios, o control de una función en la herramienta.

ON/OFF Switch (FIG 15)

1. Para ENCENDER la lijadora, mueva el interruptor (1) hasta la posición de ENCENDIDO.
2. Para APAGAR la lijadora, mueva el interruptor (1) hasta la posición de APAGADO.
3. Para bloquear el interruptor en la posición de APAGADO, retire la llave de seguridad del interruptor (2). Guarde la llave en un lugar seguro.

FIG 15



⚠ ADVERTENCIA: Siempre apague la herramienta antes de desconectarlo para evitar un arranque accidental al enchufando la herramienta en una fuente de alimentación.

Orificio para polvo

La lijadora tiene un 2-1/4 " orificio para polvo (13-Fig 1), ubicado en el lado izquierdo de la lijadora. El orificio puede ser conectado a un sistema de recolección de polvo.

Lijado en bisel (FIG 16)

La mesa se puede inclinar de 0° a 45° para lijar en bisel.

Para ajustar la mesa en posición de bisel

1. Afloje el pomo de fijación de la mesa e incline la mesa hasta el ángulo deseado.
2. Reapriete el pomo de fijación de la mesa.

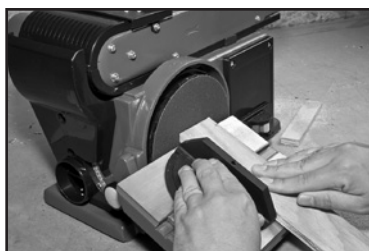


FIG 16

Lijado de superficies de extremo pequeño utilizando el calibre de inglete (FIG 16)

Una calibre de inglete se incluye con la herramienta. Usando la guía de ingletes se recomienda para el lijado de una pequeña pieza en el disco de lijado.

1. Apoye la pieza contra el borde del calibre de ingletes.
2. Mueva siempre la pieza a través del lado izquierdo del disco de lijar.

Lijado de superficies en la correa de lijar (FIG 17)

La correa de lijar se puede utilizar ya sea vertical u horizontalmente. Dependiendo de la pieza, el soporte de la pieza se puede utilizar la operación de lijado horizontal o vertical. Para la superficie de lijado en la correa de lijar, use la posición horizontal.



FIG 17

1. Sujete la pieza de trabajo firmemente con las dos manos, manteniendo los dedos alejados de la correa de lijar
2. Mantenga el extremo a tope contra el tope trasero y mueva la pieza de trabajo uniformemente a través de la correa de lijar. Use precaución adicional cuando lije piezas muy delgadas.
3. Ejercer solamente suficiente presión como para permitir que la correa de lijar retire cualquier material.

NOTE: Cuando lije piezas largas, retire el soporte de la pieza.



Lijado de extremos en la correa de lijar (FIG 18)

Para lijar los extremos de la pieza de largo, use la correa de lijar en posición vertical. Ver FIG 18.

Usar la mesa en lugar del soporte de la pieza

Usar la calibre de inglete en la mesa para una mayor precisión.

Lijado de bordes curvos (FIG 19, 20)

Lije siempre las curvas interiores sobre el tambor loco, de la manera que se muestra en la figura 19.



FIG 19

⚠ ADVERTENCIA: No intente nunca lijar los extremos de una pieza sobre el tambor loco. Si se aplica el extremo de la pieza al tambor loco, el resultado podría ser que la pieza salte hacia arriba y cause una lesión.

Lije siempre las curvas exteriores en el lado izquierdo del disco de lijar, de la manera que se muestra en la figura 20.

⚠ ADVERTENCIA: Si se aplica la pieza al lado derecho del disco, el resultado podría ser que la pieza salte hacia arriba y cause lesiones.



FIG 20

MANTENIMIENTO

LIMPIEZA

Evite el empleo de solventes al limpiar piezas de plástico. La mayoría de los plásticos son susceptibles a diferentes tipos de solventes comerciales y pueden resultar dañados. Utilice paños limpios para eliminar la suciedad, el polvo, el aceite, la grasa, etc.

⚠ ADVERTENCIA: No permita en ningún momento que fluidos para frenos, gasolina, productos a base de petróleo, aceites penetrantes, etc., lleguen a tocar las piezas de plástico. Las sustancias químicas pueden dañar, debilitar o destruir el plástico, lo cual a su vez puede producir lesiones corporales serias.

Las herramientas eléctricas que se utilizan en materiales de fibra de vidrio, paneles de yeso para paredes, compuestos de resana o yeso, están sujetas a desgaste acelerado y posible fallo prematuro porque las partículas y limaduras de fibra de vidrio son altamente abrasivas para los cojinetes, escobillas, conmutadores, etc. Por consiguiente, no recomendamos el uso de esta herramienta durante períodos prolongados de trabajo en estos tipos de materiales. Sin embargo, si usted trabaja con cualquiera de estos materiales, es sumamente importante limpiar la herramienta con aire comprimido.

LUBRICACIÓN

Su herramientas permanentemente lubricado en la fábrica y no requieren lubricación adicional.

GARANTÍA DE DOS AÑOS:

Este producto está garantizado contra defectos de material y de fabricación durante 2 años a partir de la fecha de compra. Esta garantía limitada no cubre el desgaste normal o daños por negligencia o accidente. El comprador original está cubierto por esta garantía y no es transferible. Antes de devolverlo su herramienta para almacenar la ubicación de la compra, por favor llame gratis a la línea de ayuda para las posibles soluciones. **ESTE PRODUCTO NO ESTÁ GARANTIZADO SI SE UTILIZA PARA PROPÓSITOS INDUSTRIALES O COMERCIALES.**

LOS ACCESORIOS INCLUIDOS CON ESTE JUEGO NO TIENEN 2 AÑOS DE GARANTÍA.

LÍNEA DE AYUDA GRATUITA:

Para preguntas acerca de este o cualquier otro producto GENESIS Llame gratuitamente al teléfono:

888-552-8665.(Mon.- Fri 9:00 am -4:30 pm EST.)

O visite nuestro sitio web: **www.richpowerinc.com**

Genesis

Richpower Industries, Inc.
736 Hampton Road
Williamston, SC USA
www.richpowerinc.com