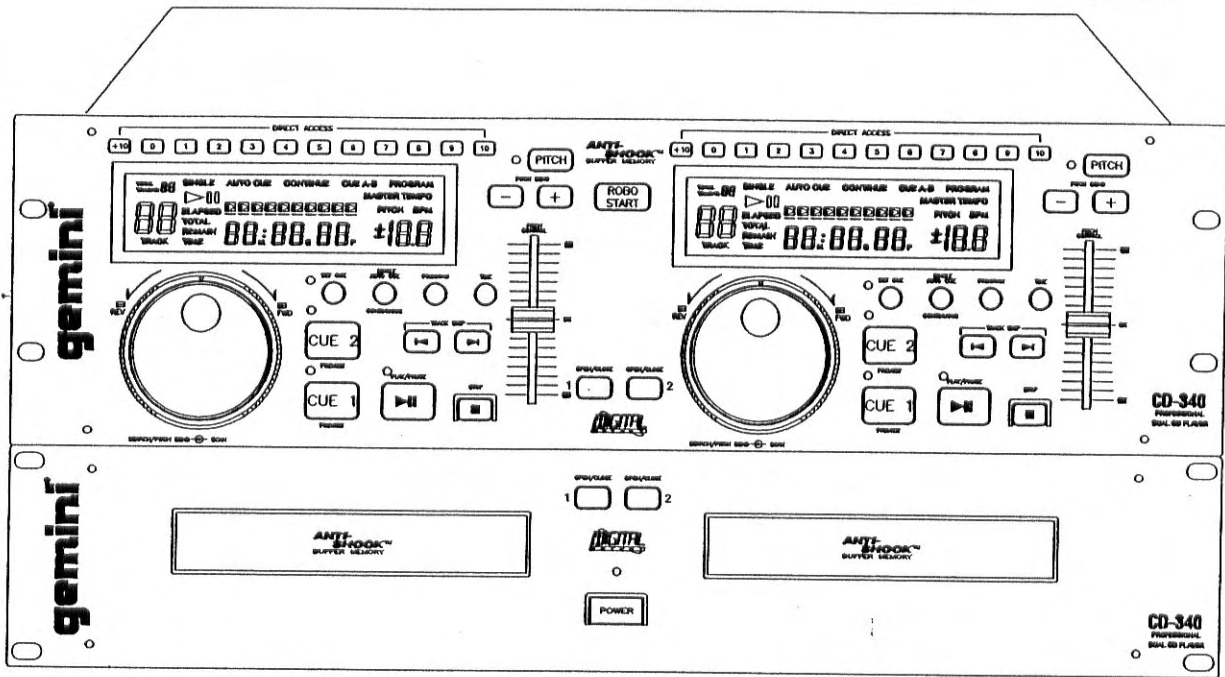


SERVICE MANUAL

MODEL:CD-340



SPECIFICATION

AUDIO CHARACTERISTIC

FREQUENCY RESPONSE	20Hz~20KHz ± 2dB
HARMONIC DISTORTION	LESS THAN 0.03%
S/N RATIO	MORE THAN 70dB
CHANNEL SEPARATION	MORE THAN 70dB
OUTPUT LEVEL	1.9V ± 0.4V

FUNCTION

TRACK SKIP SELECTION	SKIP FORWARD OR BACK WARD 1 TRACK
SEARCH SELECTION	SEARCH FRAME BY FRAME TO THE EXACT POINT YOU WANT/QUICK SEARCH IN TWO SECTION BY JOG WHEEL/SHUTTLE
OPEN/CLOSE	DISC TRAY OPEN/CLOSE
TIME	EACH ELAPSED TIME, EACH REMAIN TIME, TOTAL REMAIN TIME
STOP	STOP THE DISC
PITCH SECTION	PITCH CONTROL ON/OFF
PITCH BEND	± 16% SPEED CONTROL
PITCH CONTROL	SLIDE VR WILL CONTROL PITCH ± 16%
CONTINUE/SINGLE/AUTO CUE	CONTINUALLY PLAY THE DISC TO THE END OF THE DISC/PLAY ONE TRACK ONLY & AUTO CUE
DIRECT ACCESS KEY	0, 1~9, 10, +10 KEY
MUSIC BAR	ANALOGICALLY DISPLAY THE REMAINING TIME OF THE PLAYING TRACK.
SET CUE	ACTIVATE THE DIRECT ACCESS BUTTONS FUNCTION
CUE1 & CUE2	PAUSE A PLAYING TO START A CUE POINT.
PROGRAM	ENABLE THE UNIT TO PROGRAM SELECTED SOUND WITH DIFFERENT MODES.
ROBO START	ALTER A TRACK BETWEEN TWO SIDES OF THE CD PLAYER WHILE PLAYING

DIGITAL SIGNAL PROCESSING

OPTICAL PICK UP	3-BEAM LASER
SAMPLING FREQUENCY	44.1KHz
D/A CONVERSION	1 BIT LINEAR
OVERSAMPLING RATE	8 TIME
ERROR CORRECTION	CIRC
TRACK SELECTION	1 TO 99 TRACK
DIGITAL OUT	BNC CONNECTOR

GENERAL

POWER SOURCE	AC115/230V, 60/50Hz
	AC240, 50Hz

POWER CONSUMPTION 20W

DIMENSION

MAIN UNIT	482*88.5*257mm
CONTROL UNIT	482*132*38mm

WEIGHT

MAIN UNIT	5.6 KGS
CONTROL UNIT	2.1KGS

DISASSEMBLY PROCEDURES CD-340 (UL/CE)

1. REMOVAL OF TOP COVER(Fig.1)

- (A) TAKE OUT THE 8 PC SCREWS FROM WHICH THE CABINET FRONT IS MOUNTED IN PLACE.

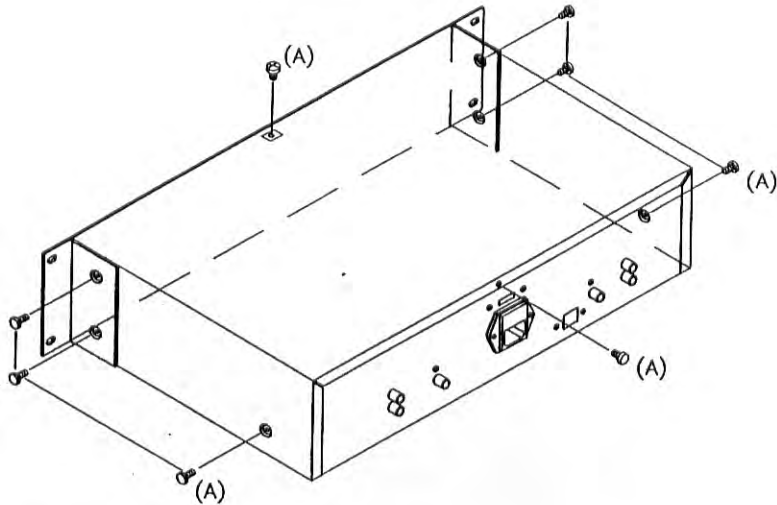


Fig.1

2. REMOVAL OF FRONT PANEL AND CD MECHANISM AND TRANSFORMER PCB.(Fig.2)

- (A) REMOVAL OF FRONT PANEL
TAKE OUT THE 5 PC SCREWS.
- (B) REMOVAL OF CD MECHANISM.
TAKE OUT THE 6 PC SCREWS
- (C) REMOVAL OF TRANSFORMER
TAKE OUT THE 2PC SCREWS.

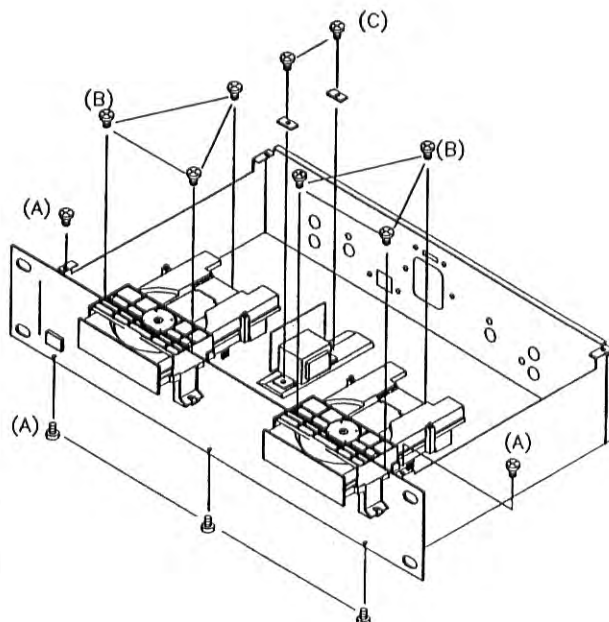


Fig.2

CD-340(UL/CE)

3. REMOVAL OF TRANSFORMER PCB AND MAIN PCB CONNECTOR(Fig.3)

- (A.) REMOVAL THE 4 PC CONNECTORS ON THE TRANSFORMER PCB.(TE901.902.903) AND MAIN PCB (TE901)
- (B.) REMOVAL THE 6 PC CONNECTOR ON THE MAIN PCB (TE701,801)AND SERVO PCB (TE1.2)

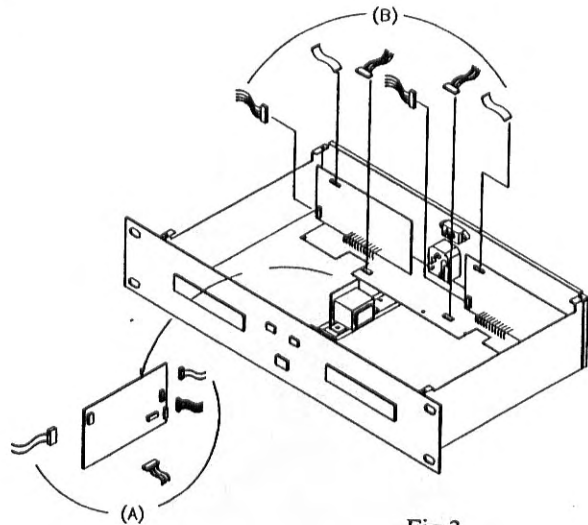


Fig.3

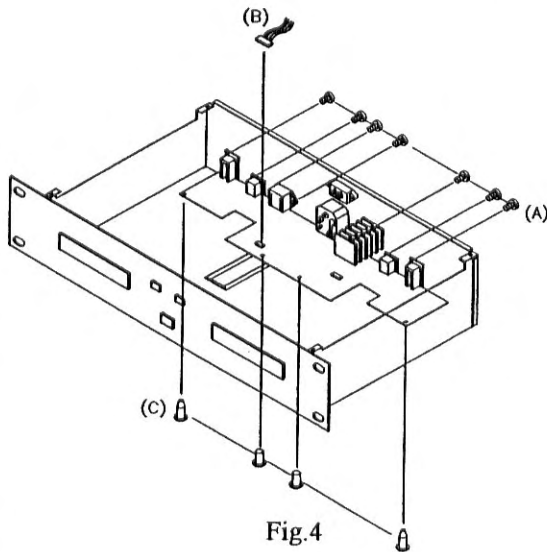


Fig.4

4. REMOVAL OF MAIN PCB (Fig.4)

- (A.) REMOVAL THE 7 PC SCREWS ON THE RCA JACK. AND THE 8P DIN CONNECTOR AND HEAT SINK
- (B.) REMOVAL THE 1 PC CONNECTOR ON THE MAIN PCB. (TE702)
- (C.) DEPART THE MAIN PCB FROM THE 4PC HOLDERS.

5. REMOVAL OF CONTROL PCB (Fig.5)

- (A.) REMOVAL THE 6 PC SCREWS ON THE CONTROL COVER
- (B.) REMOVAL THE 2 PC ROTATE KNOB BASE AND 2PC ROTATE KNOB AND 2PC VR KNOB ON THE FRONT PANEL.
- (C.) REMOVAL THE 20 PC SCREWS ON THE FRONT PANEL.

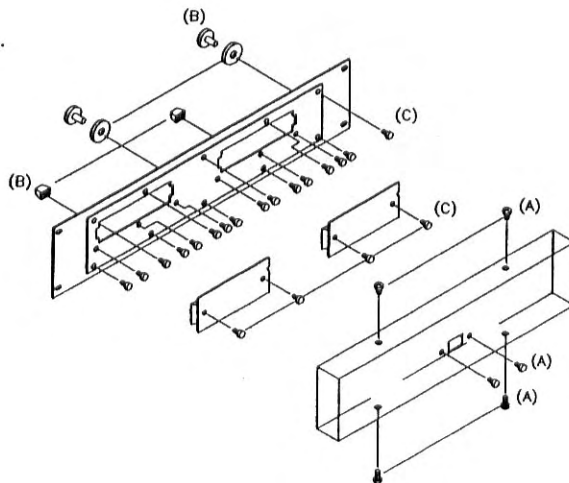


Fig.5

DISASSEMBLY PROCEDURES CD-340(UK)

1. REMOVAL OF TOP COVER(Fig1)

(A) TAKE OUT THE 8 PC SCREWS FROM WHICH THE CABINET FRONT IS MOUNTED IN PLACE.

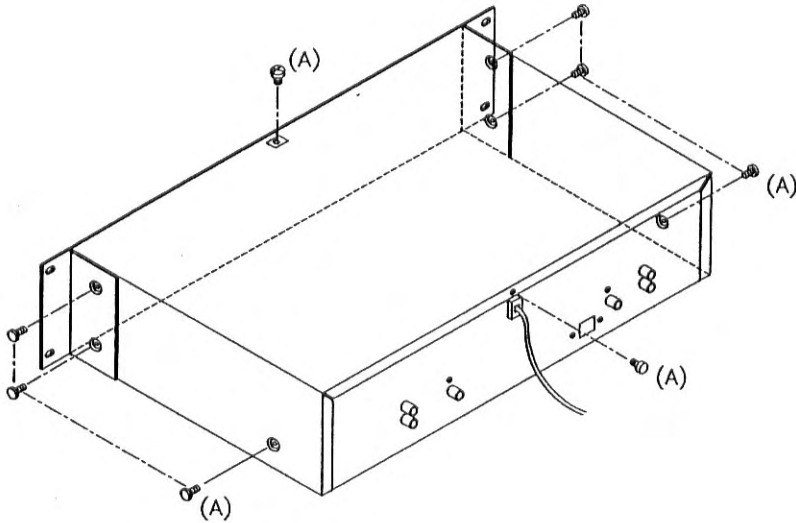


Fig.1

2. REMOVAL OF FRONT PANEL AND CD MECHANISM AND TRANSFORMER PCB(Fig.2)

- (A) REMOVAL OF FRONT PANEL.
TAKE OUT THE 5 PC SCREWS.
- (B) REMOVAL OF CD MECHANISM.
TAKE OUT THE 6 PC SCREWS
- (C) REMOVAL OF TRANSFORMER TAKE
OUT THE 2 PC SCREWS.

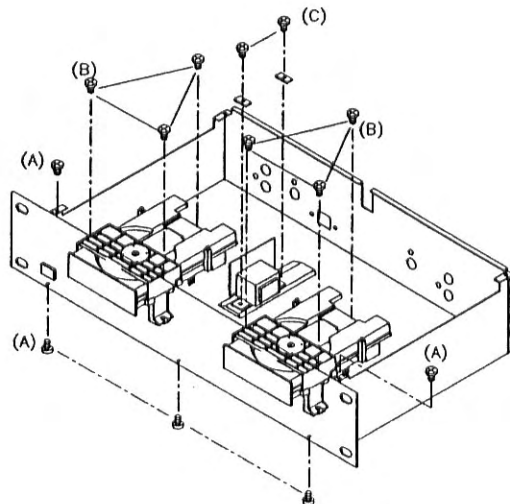


Fig.2

CD-340(UK)

3. REMOVAL OF TRANSFORMER PCB AND MAIN PCB CONNECTOR(Fig.3)

- (A.) REMOVAL THE 4 PC CONNECTORS ON THE TRANSFORMER PCB.(TE901.902.903) AND MAIN PCB(TE901)
- (B.) REMOVAL THE 6 PC CONNECTOR ON THE MAIN PCB.(TE701,801)AND SERVO PCB (TE1.2)

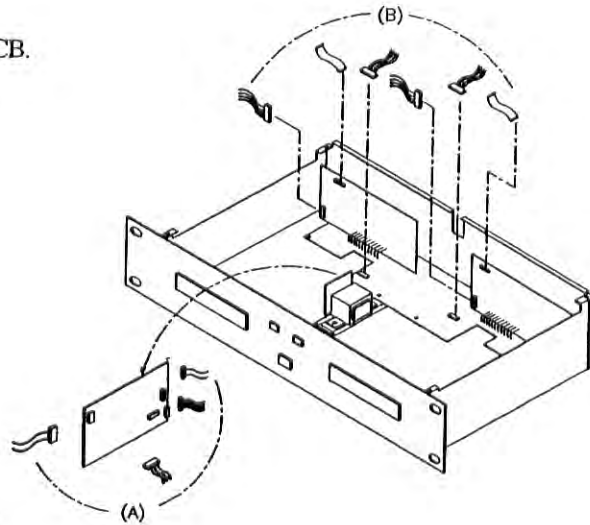


Fig.3

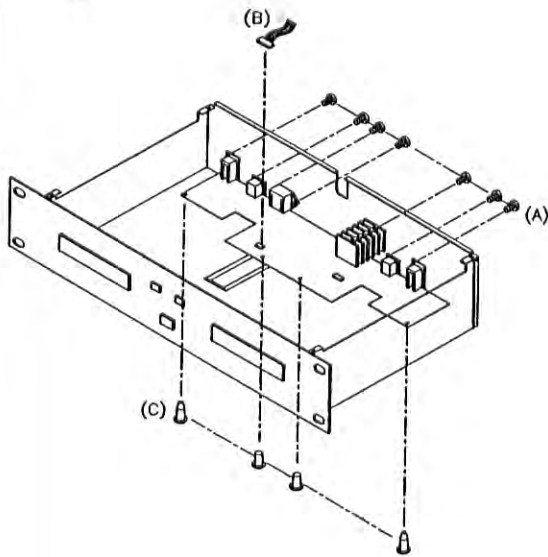


Fig.4

4. REMOVAL OF MAIN PCB (Fig.4)

- (A.) REMOVAL THE 7 PC SCREWS ON THE RCA JACK. AND THE 8P DIN CONNECTOR AND HEAT SINK.
- (B.) REMOVAL THE 1 PC CONNECTOR ON THE MAIN PCB. (TE702)
- (C.) DEPART THE MAIN PCB FROM THE 4PC HOLDERS.

5. REMOVAL OF CONTROL PCB (Fig.5)

- (A.) REMOVAL THE 6 PC SCREWS ON THE CONTROL COVER
- (B.) REMOVAL THE 2PC ROTATE KNOB BASE AND 2PC ROTATE KNOB AND 2PC VR KNOB ON THE FRONT PANEL.
- (C.) REMOVAL THE 20 PC SCREWS ON THE FRONT PANEL.

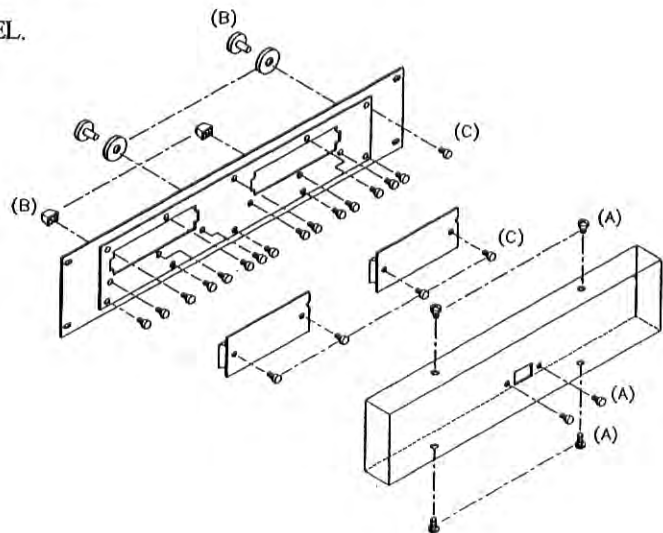


Fig.5

ADJUSTMENTS

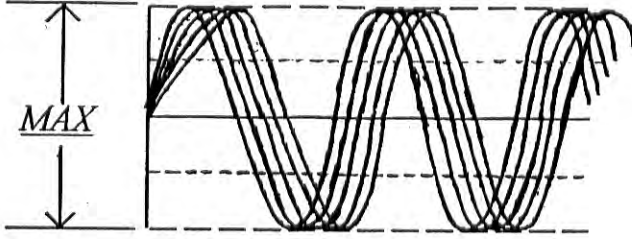
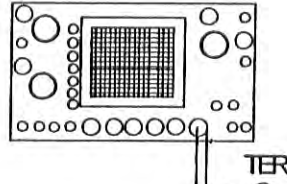
1. EYE Pattern Adjustment.

1-1. The scope measure terminal connect to TE3 RF PIN, GND connect to TE3 VC PIN.

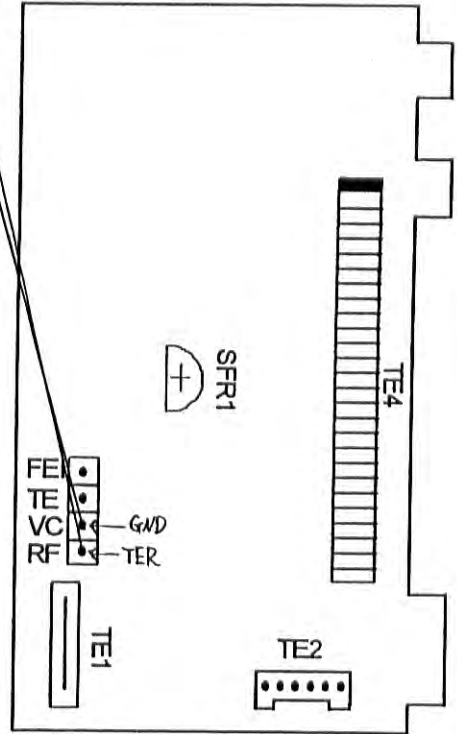
(a.) Set scope to read "AC".

(b.) Set scope Volts/Div. to 0.2V/Div. and Time/Div to 0.5us/Div.

1-2. Adjust FB SFR1 EYE pattern make to max.



PC99C002&PC99C052



CD-340 PART LIST

SERVO PCB ASS'Y (TWPC99C00201)

Part No.	Symbol No.	Description
EC10450T	C11	ELECT 0.1UF/50V
EC10625T	C3,202,205	ELECT 10UF/25V
EC10716T	C2,12,204	ELECT 100UF/16V
EC22716T	C18	ELECT 220UF/16V
EC47550T	C10,29	ELECT 4.7UF/50V
EC47616T	C5,25,27	ELECT 47UF/16V
EC47716	C37,206	ELECT 470UF/16V
FCN1S1001602	TE1	16PFFC CONNECTOR
ICBA5979S	IC3	ICBA5979S
ICXA2568M	IC1	ICXA2568M
ICXD2585Q	IC4	ICXD2585Q
ICNJM2100M	IC2	ICNJM2100M
ICNT511740C5J60	IC102	ICNT511740C5J60
ICPCM1717	IC201	ICPCM1717
ICSM5902AF	IC101	ICSM5902AF
ICTC7W14F	IC5	ICTC7W14F
PC99C002		SERVO PCB
RS10018J05	R1	RESISTOR 10 (SMD)
RS10118J05	R36	RESISTOR 100 (SMD)
RS10318J05	R6,11,12,25, R28,29,39	RESISTOR 10K (SMD)
RS10418J05	R5,27	RESISTOR 100K (SMD)
RS10518J05	R9,10,32,33,40	RESISTOR 1M (SMD)
RS15318J05	R4,15	RESISTOR 15K (SMD)
RS18218J05	R16	RESISTOR 1K8 (SMD)
RS18418J05	R2,3	RESISTOR 180K (SMD)
RS22118J05	R34	RESISTOR 220 (SMD)
RS22218J05	R203	RESISTOR 2K2 (SMD)
RS24118J05	R7	RESISTOR 240 (SMD)
RS33218J05	R30,31	RESISTOR 3K3 (SMD)
RS33318J05	R26	RESISTOR 33K (SMD)
RS47118J05	R37,38	RESISTOR 470 (SMD)
RS47218J05	R21,22,41,201	RESISTOR 4K7 (SMD)
RS47318J05	R8,23,24	RESISTOR 47K (SMD)
RS47418J05	R35	RESISTOR 470K (SMD)
RS56118J05	R101	RESISTOR 560 (SMD)
R10116	R14	RESISTOR 100 1/16W
SV2230501	SFR1	SEMI-FIXED RESISTOR 22KB
TE10200601	TE2	6P CONNECTOR
TE104251	TE3	4P CONNECTOR
TE922002701	TE4	27P TEST PIN
TR2SA950YT	Q1	TRANSISTOR 2SA950
XTM16934	XTM1	CRYSTAL 16.9344MHZ

POWER PCB ASS'Y (TWPC99C00601/99C00602)

Part No.	Symbol No.	Description
CN0620001501	CN901	6P CONNECTOR(90mm)
MC473275	MC901,902	MYLAR CAP. 473UF/275V
PC99C006		POWER PCB
R33512	R901	RESISTOR 3.3M
TE617920201	TE901,903	2P AC CONNECTOR
TE617920301	TE902	3P AC CONNECTOR
TE812000611	(CN901)	6P CONNECTOR
UHYN98140	EMC901	EMI COIL

FUNCTION PCB ASS'Y (TWPC99C00901)

Part No.	Symbol No.	Description
D132T	D401	DIODE ISS132
DTA124ES	Q402	TRANSISTOR A124ES
ICYH9823	IC401	MICONIC YH9823
IC74HC595	IC402,403	IC74HC595
LD-LG2040	LED401,406	GREENLED
LDIFR324HD	LED402,407	REDLED
LD1030	LED403,404,405 LED408,409,410	YELLOWLED
LD484GT	LED414,414A	LED
PC99C009		FUNCTION PCB
PT0104438	(LED401~410)	LED PLASTIC (6mm)
PT0604404	LED414,414A	LED PLASTIC (4mm)
SWSRGPJH-A31	RDT401,402	ROTATE KNOB
SWSKHVBE3520	S401~436,438~458	TACT SW (5.0)
SWSKHHA2510	S437	TACT SW (5.0)
SWSRGPJH-A31	ROT401,402	ROTATE KNOB
TRDTC124EST	Q401	TRANSISTOR DTC124ES
VRS1036504	VR401,402	VR
XTM08000X2	X401	CRYSTAL 8MHX

LCD PCB ASS'Y (TWPC99C00101)

Part No.	Symbol No.	Description
CN0320000701	CN701~701A	CONNECTOR(70mm)
DB005	D903	DIODE
DIN4002	D701,702,801,802	DIODE
DIN5406	D901,902	DIODE
D132T	D703,804,805	DIODE
ICBA4558F	IC301,401	ICBA4558F
ICYH9822	IC700	ICYH9822
IC6218	IC703,803	IC6218
ICBA05T	IC901	IC7805
IC7905L	IC902	IC79L05
PC99C001		MAIN PCB
PT0104415	DIN701	8P MINI DIN PLASTIC
RJP-A17	RCA501,RCA601	RCAJACK
RJ102A-09	RCA301,RCA401	RCAJACK
TE10200502	TE701,TE801	5PCONNECTOR
TE10200601	TE901	6PCONNECTOR
TE422000801	DIN701	8PDIN MINI
TE612000402	TE702	4PCONNECTOR
TE912002701	TE703,TE704	27PTEST PIN
TRA608T	Q803	TRANSISTOR 2SA608
TRB1185	Q901	TRANSISTOR B1185
TRDTC124EST	Q701	TRANSISTOR DTC124EST
TRC2878	Q301,302,401,402	TRANSISTOR 2SC2878
TRC536T	Q501,601,902	TRANSISTOR 2SC536
XTM20000X2	XTM2	CRYSTAL 20MHZ
DIZDMTZJ91BT	ZD901	ZENERDIODE

I/O P.C.BOARD (TWPC99C01001)

Part No.	Symbol No.	Description
IC7805	IC406	IC7805
PC99C010		I/O PCB
PT0104415	DIN401	8P MINI DIN PLASTIC
TRB1185	IC407	TRANSISTOR B1185
TE422000801	(DIN401)	8PDIN MINI
TE522500201	TE401A,402A	2PCONNECTOR
TE522500701	TE403	7PCONNECTOR
TE61200801	CN401,CN402	8PCONNECTOR
DIZDMTZJ68CT	ZD401	ZENERDIODE (DC6.8V)

CD-340

PART LIST

LCD PCB ASS'Y (TWPC99C01101)

<u>Part No.</u>	<u>Symbol No.</u>	<u>Description</u>
CN0820001801	CN401	CONNECTOR(180mm)
ICBU9728AKV	IC404	ICBU9728AKV
LCD-SH259EV-YG	LCD401	LCD
LM201500701-G	LAMP1,2,3	LAMP 7V/42mA
NP506GMN06		LCD HOLDER
PC99C005		LCD PCB
PT0610103		LCD HOLDER
TE812000811	(CN401)	8P CONNECTOR

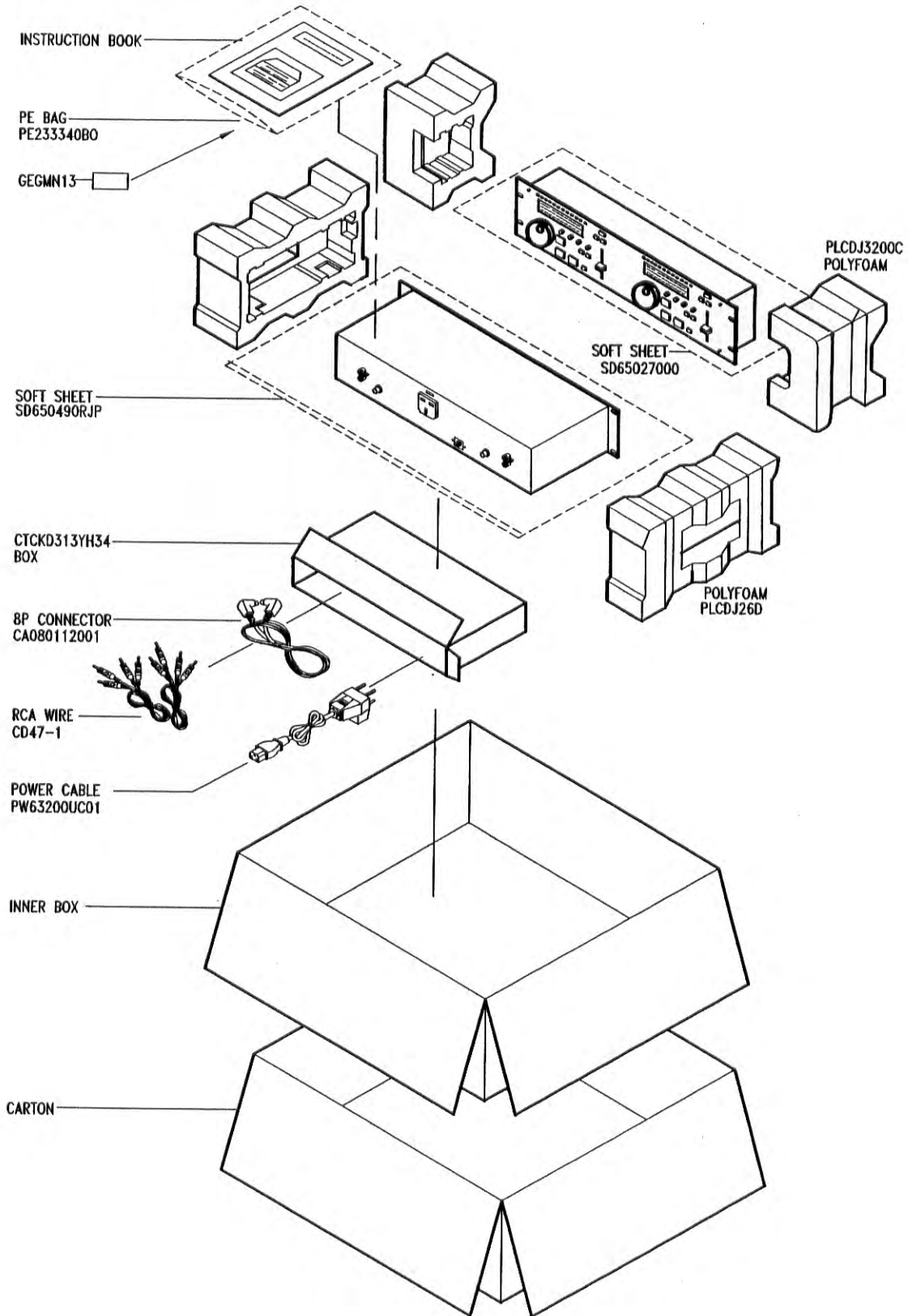
OPEN/CLOSE SWITCH PCB ASS'Y (TWPC99C00701)

<u>Part No.</u>	<u>Symbol No.</u>	<u>Description</u>
CN0420002201	CN902	4P CONNECTOR(220mm)
LDIF324HD	LED901	RED LED
PC99C007		OPEN/CLOSE PCB
PT0104411	(LED901)	LED PLASTIC(6mm)
SWSKHVBB3420	S901,S902	TACT SW (4.3)
TE812000411	(CN902)	4P CONNECTOR

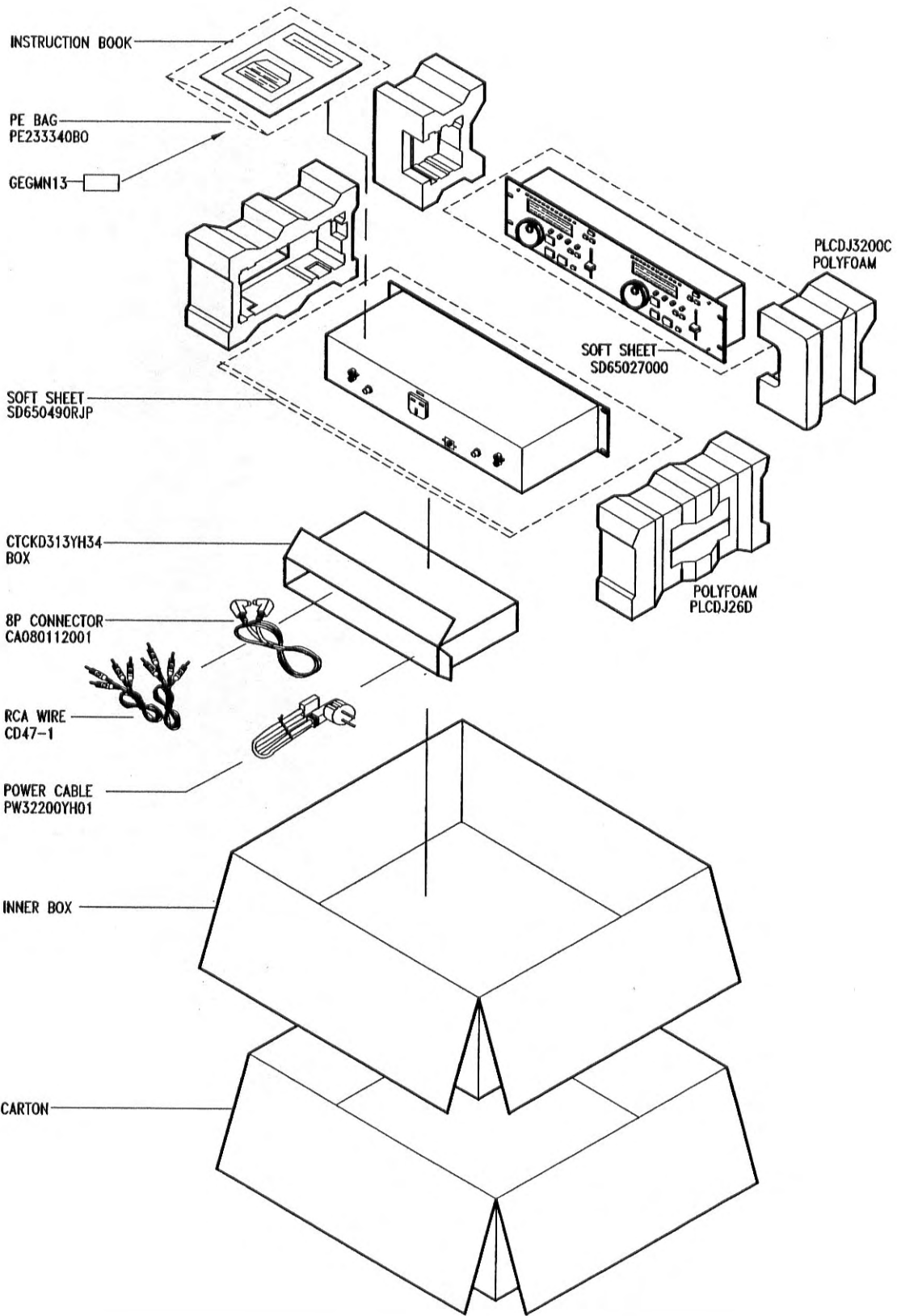
LCD-SH259EVY

259

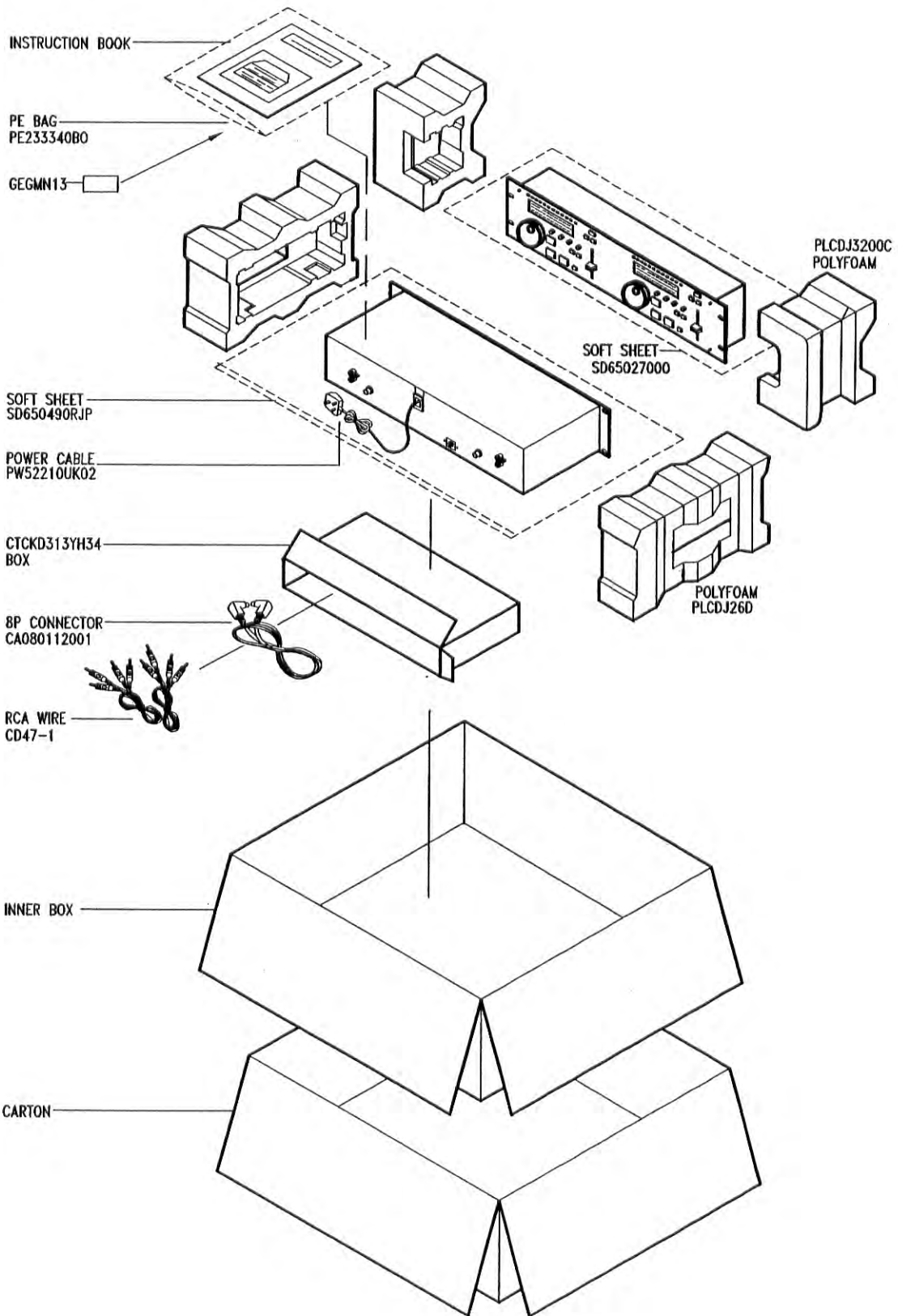
PACKING DIAGRAM (UL)

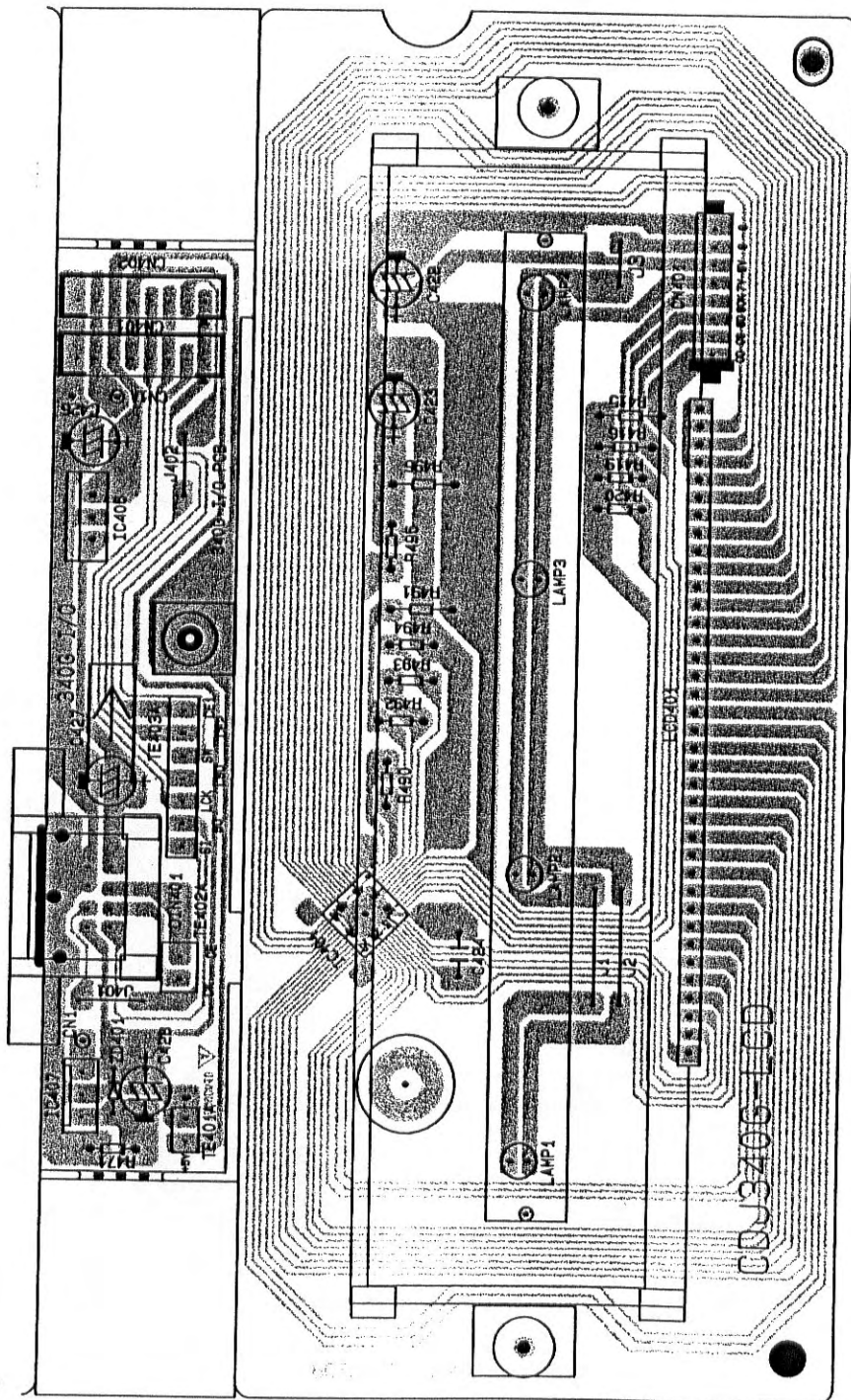


PACKING DIAGRAM (CE)

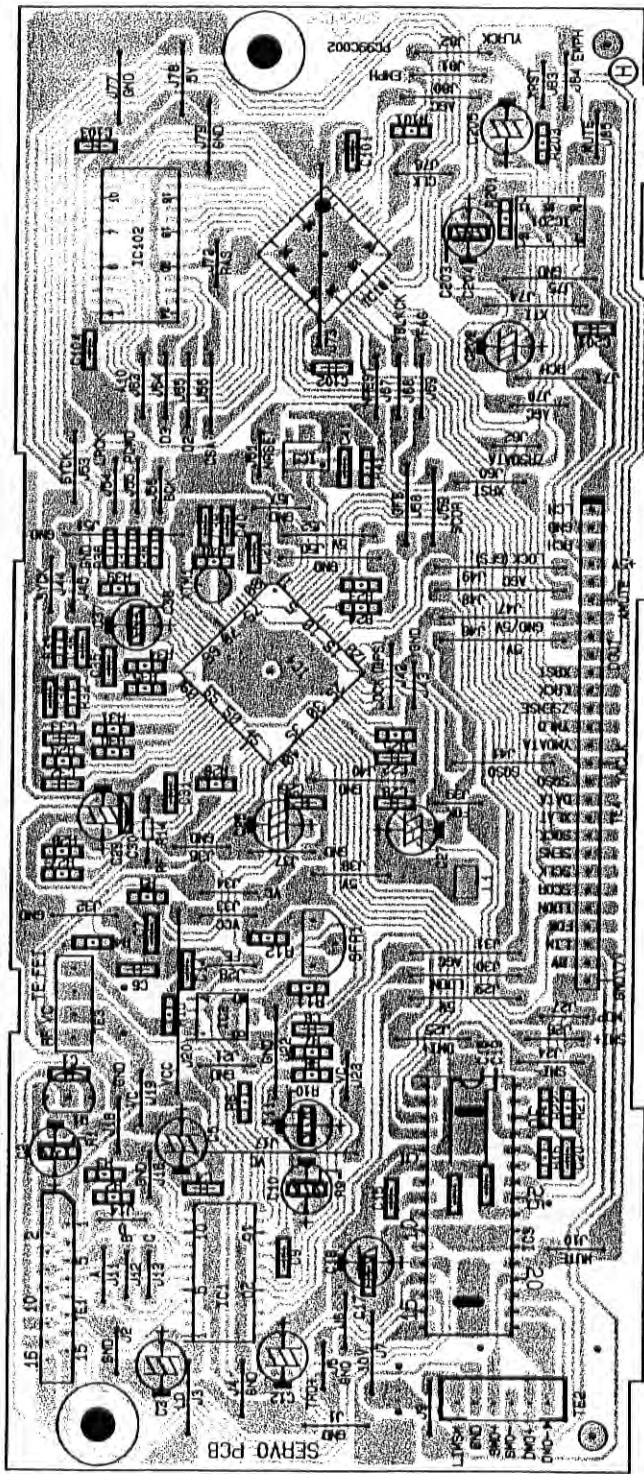


PACKING DIAGRAM (UK)



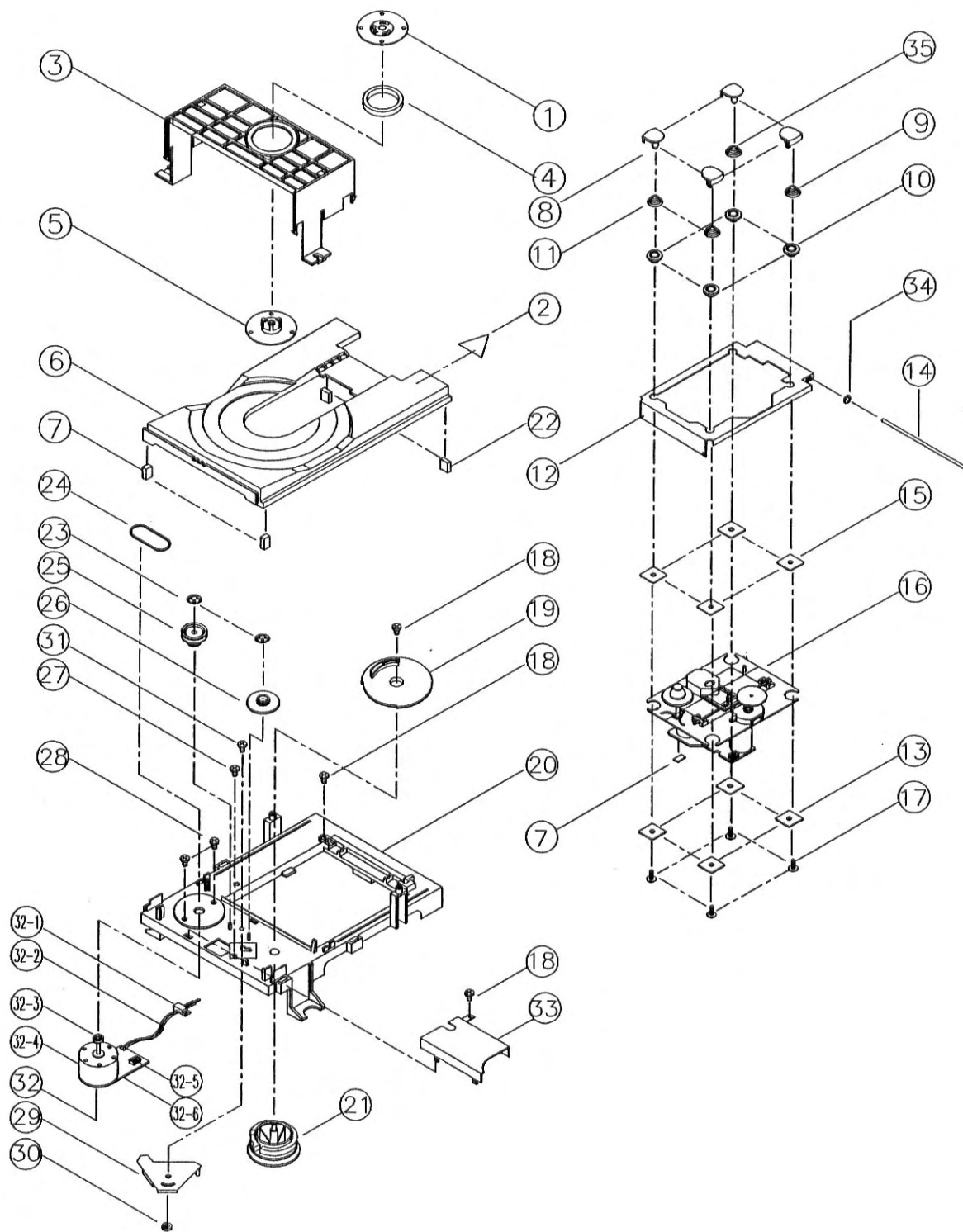


CD-340



CD-340

EXPLODE VIEW (CM-H13A)

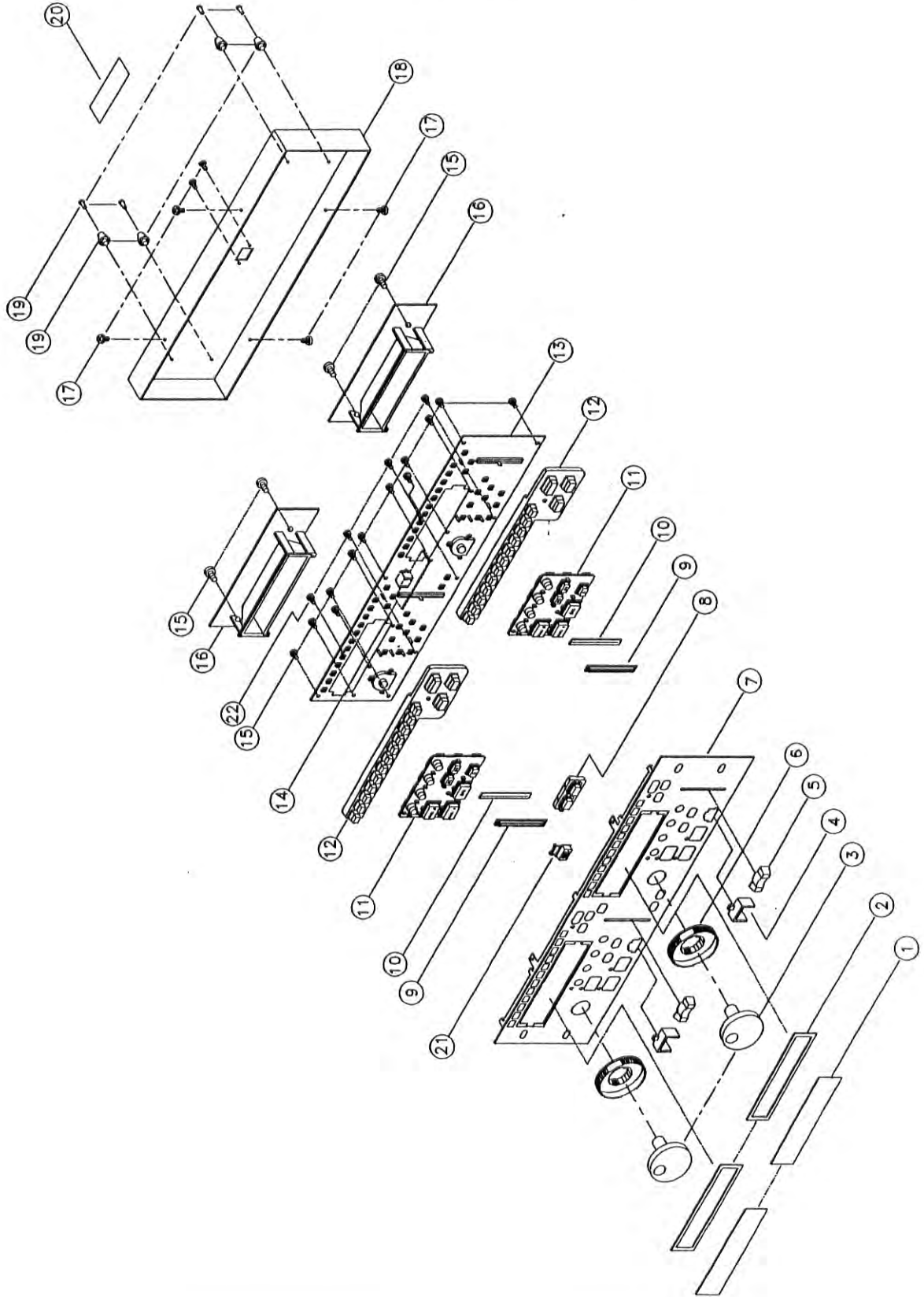


PARTS LIST

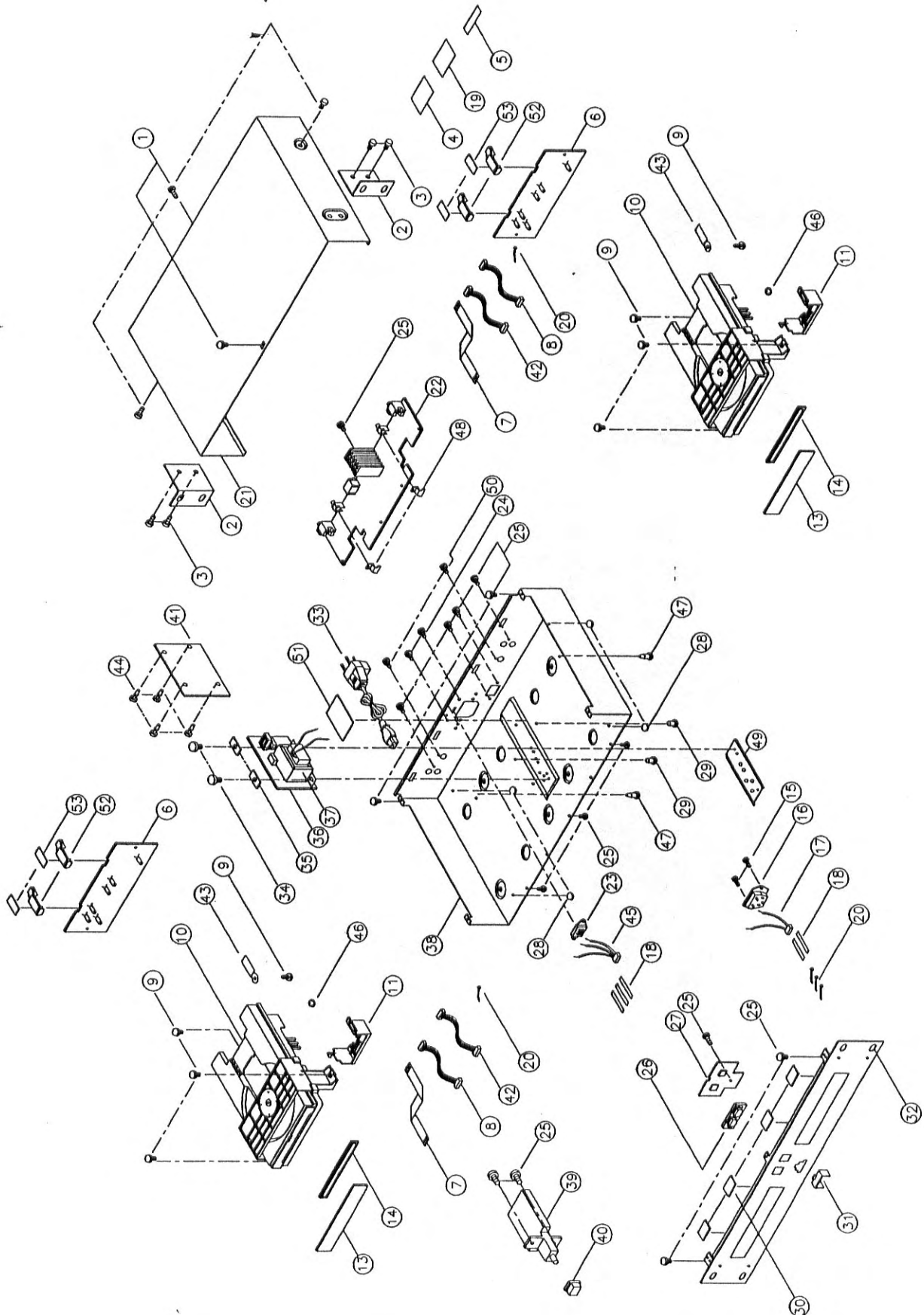
CMH13A CD MECHANISM PARTS LIST

NO.	PARTS NAME	PART NO.
1	HOLDER	M0104401
2	WARNING LABEL	LA67YH47
3	FRAME	PT0120206
4	MAGNET	MAG0104301
5	DISC HOLDER	PT0104311
6	TABLE LOAD	PT0131104
7	EVA	EVA0104401
8	CUSHION HOLDER A	P0104402
9	CUSHION SPRING	SP0130910
10	CUSHION SPRING	RU0930704
11	CUSHION SPRING	SP0130909
12	CUSHION CHASSIS ASS'Y	TW0130802
13	CUSHION HOLDER (D)	PT0104447
14	ROTATE SHAFT	M0109602
15	CUSHION HOLDER (C)	PT0104446
16	SONY MECHANISM	CMKSM-213CCM
17	SCREW	SC0210W6BZI
18	SCREW	SC2608W8BZI
19	DRIVE GEAR	PT0112008
20	CHASSIS	PT0131006
21	DRIVE CAM	P0105401
22	EVA	EVA0104404
23	E RING	CSB72-6
24	MOTOR BELT	BE251616
25	DRIVEN PULLEY	P0109501
26	DRIVEN GRAR	P0105402
27	SCREW	SC0208RABI
28	SCREW	SC2605RIZI
29	PLATE ASS'Y	TW0111101
30	BRASS SHAFT	M0113102
31	SCREW	SC0310IIBI
32	MOTOR ASS'Y	TW9I12T391
32~1	LEAF SW	SW12401
32~2	3P LEAD WIRE	WR062607010Z1
32~3	MOTOR PULLEY	P0109502
32~4	MOTOR	ME9I12T39
32~5	5P CONNECTOR	TE10200501
32~6	MOTOR PCB	PC910004
33	GEAR COVER	M0110101
34	WASHER	FW084505IZ
35	CUSHION SPRING(D)	SP0130911

EXPLODE VIEW (CONTROL UNIT)



EXPLODE VIEW CD-340 (UL) (MAIN UNIT)



PARTS LIST

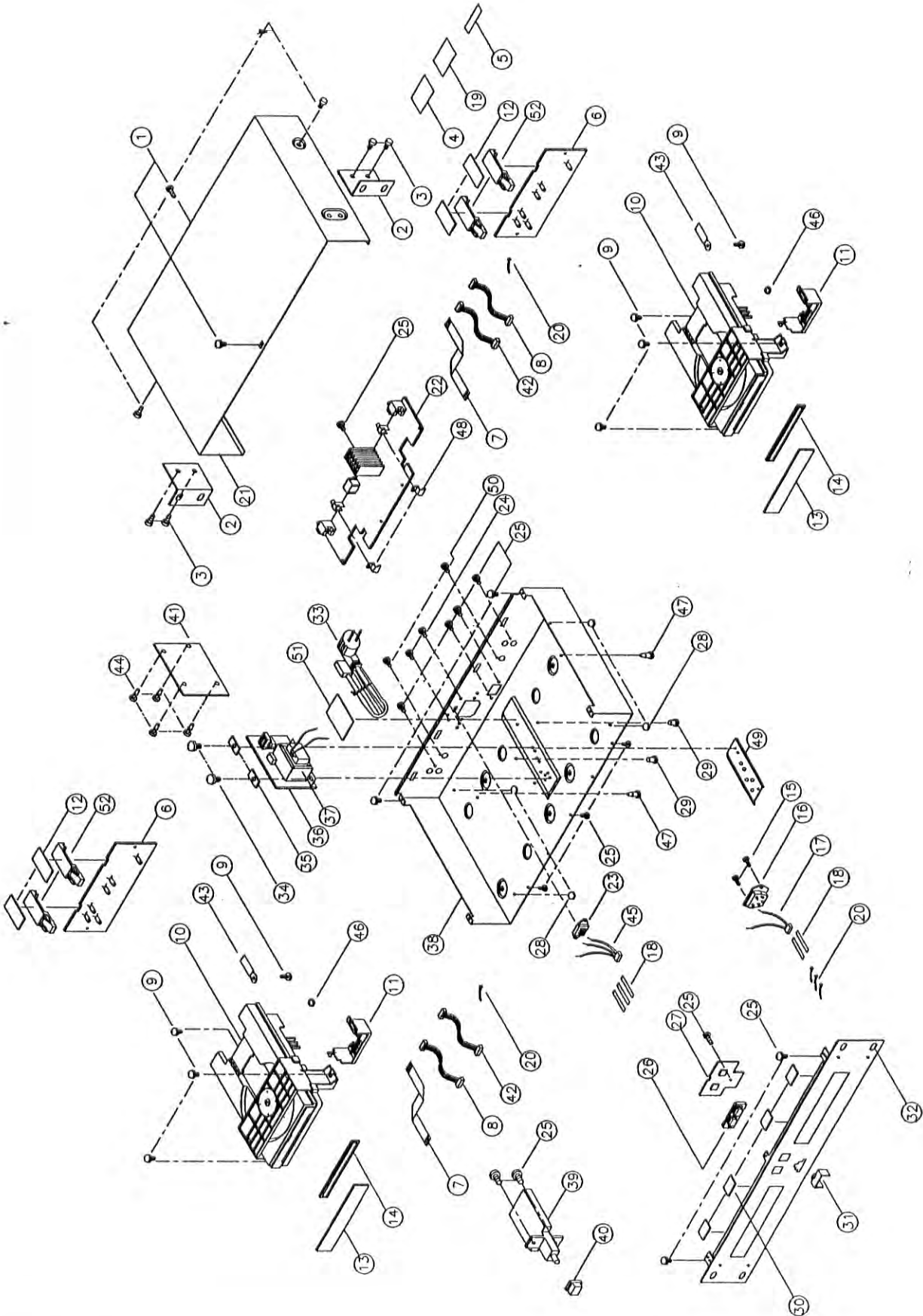
CDJ340GGMN01 (UL)

MAIN UNIT PARTS

CONTROL UNIT PARTS

Symbol No.	Description	Part No.	Symbol No.	Description	Part No.
1	SCREW	SC0306PBBI	1	VIEW PANEL	NP206GMN08
2	HOLDER PLATE	MT0104451	2	VIEW PANEL	NP106GMN07
3	SCREW	SC0310W8BBI	3	ROTATE KNOB	PT0110630
4	RATING & SERIAL NO. LABEL	LAC13GMN80(A)	4	KNOB FRAME	PT0104427
5	DATE LABEL	LA62GMN37	5	VR KNOB	PT0110622
6	SERVOP.C.B ASS'Y	TWPC99C00201	6	ROTATE KNOB BASE	PT0110755
7	FFC	FFC1610003001	7	FRONT PANEL	MT0630010101
8	6P CONNECTOR	CN0620003002	8	RUBBER KNOB	RU0610605
9	SCREW	SC0306RBZI	9	VR BASE	PT0104317
10	MECHANISM	CM-H13A	10	VELVET CARPET	NM1110601
11	LINE HOLDER	PT0104322	11	RUBBER KNOB	RU061060301
13	TRAY PANEL	PT05029010902	12	RUBBER KNOB	RU061060401
14	EVA	EVA0504401	13	CONTROL P.C.B ASS'Y	TWPC99C00901
15	SCREW	SC0308FBBI	14	I/O P.C.B ASS'Y	TWPC99C01001
16	AC CORD	TE1030012	15	SCREW	SC0308RBZI
17	LEAD WIRE	DWLB2013001	16	LCD P.C.B ASS'Y	TWPC99C01101
18	HEAT-SHRINKING TUBE	HST040015BUL	17	SCREW	SC0306PBBI
19	LABEL	LAC47YH211	18	REAR COVER	MT0620403B01
20	CLIP	K46-1	19	PLASTIC STAND	BAPF02A
21	TOP COVER	MT0130109	20	RATING & SERIAL NO. LABEL	LAC13GMN80(B)
22	MAIN PCB ASS'Y	TWPC99C00101	21	ROBO/START KNOB	PT061070201
23	SWITCH	SWL21-22A	22	SCREW	SC0304PBCI
24	SCREW	SC0308RIZI			
25	SCREW	SC308RBZI			
26	RUBBER KNOB	RU0110604			
27	OPEN/CLOSE P.C.B ASS'Y	TWPC99C00701			
28	PU STNAD	BASJ5012B			
29	PCB HOLDER	PT0603202			
30	VELVET CARPET	NM0130102			
31	POWER KNOB FRAME	PT0104428			
32	FRONT PANEL	MT0630009102			
33	POWER CABLE	PW63200UC01			
34	SCREW	SC3508RBZI			
35	FIXED PLATE	MT0104452			
36	POWER P.C.B ASS'Y	TWPC99C00601			
37	TRANSFORMER	TF57992601YH			
38	BOTTOM CHASSIS	MT063030101			
39	POWER SW ASS'Y	TWCD6019			
40	POWER KNOB	CKA106B5			
41	PROTECTOR	PT0604701			
42	5P CONNECTOR	CN0520003701			
43	LUG	TWSM261			
44	PLASTIC RIVET	PT0603204			
45	LEAD WIRE	DWZ301501			
46	ERING	CSB72-6			
47	PCB HOLDER	PT0603201			
48	FIXED PLATE	MT0604410			
49	FIXED PLATE	MT0604411			
50	SCREW	SC0306RICI			
51	PROTECTOR	PT0604702			
52	FIXED HOLDER	PT0604405			
53	EVA	EVA0604401			

EXPLODE VIEW CD-340 (CE) (MAIN UNIT)



PARTS LIST

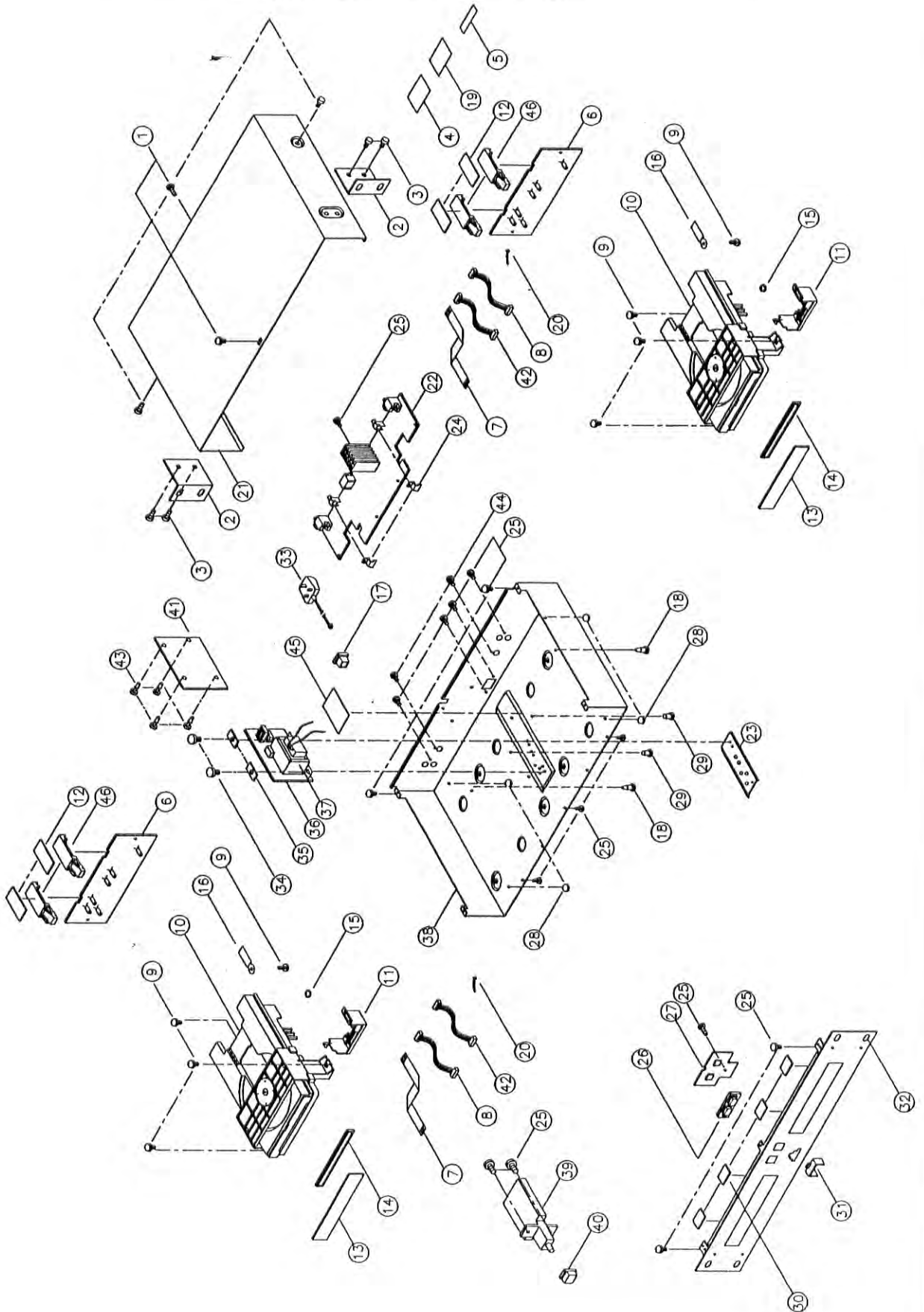
CDJ340GGMN02 (CE)

MAIN UNIT PARTS

CONTROL UNIT PARTS

Symbol	Description	Part No.	Symbol	Description	Part No.
	No.			No.	
1	SCREW	SC0306PBBI	1	VIEWPANEL	NP206GMN08
2	HOLDER PLATE	MT0104451	2	VIEWPANEL	NP106GMN07
3	SCREW	SC0310W8BBI	3	ROTATE KNOB	PT0110630
4	RATING & SERIAL NO. LABEL	LAC13GMN80(A)	4	KNOB FRAME	PT0104427
5	DATE LABEL	LA62GMN37	5	VR KNOB	PT0110622
6	SERVO P.C.B ASS'Y	TWPC99C00201	6	ROTATE KNOB BASE	PT0110755
7	FFC	FFC1610003001	7	FRONT PANEL	MT0630010101
8	6P CONNECTOR	CN0620003002	8	RUBBER KNOB	RU0610605
9	SCREW	SC0306RBZI	9	VR BASE	PT0104317
10	MECHANISM	CM-H13A	10	VELVET CARPET	NMI110601
11	LINE HOLDER	PT0104322	11	RUBBER KNOB	RU061060301
12	EVA	EVA0604401	12	RUBBER KNOB	RU061060401
13	TRAY PANEL	PT05029010902	13	CONTROL P.C.B ASS'Y	TWPC99C00901
14	EVA	EVA0504401	14	I/O P.C.B ASS'Y	TWPC99C01001
15	SCREW	SC0308FBBI	15	SCREW	SC0308RBZI
16	AC CORD	TE1030012	16	LCD P.C.B ASS'Y	TWPC99C01101
17	LEAD WIRE	DWLB2013001	17	SCREW	SC0306PBBI
18	HEAT-SHRINKING TUBE	HST040015BUL	18	REAR COVER	MT0620403B01
19	LABEL	LAC47YH211	19	PLASTIC STAND	BAPF02A
20	CLIP	K46-1	20	RATING & SERIAL NO. LABEL	LAC13GMN80(B)
21	TOP COVER	MT0130109	21	ROBO/START KNOB	PT061070201
22	MAIN PCB ASS'Y	TWPC99C00101	22	SCREW	SC0304PBBI
23	SWITCH	SWL21-22A			
24	SCREW	SC0308RIZI			
25	SCREW	SC0308RBZI			
26	RUBBER KNOB	RU0110604			
27	OPEN/CLOSE P.C.B ASS'Y	TWPC99C00701			
28	PU STNAD	BASJ5012B			
29	PCB HOLDER	PT0603202			
30	VELVET CARPET	NM0130102			
31	POWER KNOB FRAME	PT0104428			
32	FRONT PANEL	MT0630009102			
33	POWER CABLE	UP301-104			
34	SCREW	SC3508RBZI			
35	FIXED PLATE	MT0104452			
36	POWER P.C.B ASS'Y	TWPC99C00601			
37	TRANSFORMER	TF57992601YH			
38	BOTTOM CHASSIS	MT063030101			
39	POWER SW ASS'Y	TWCD6019			
40	POWER KNOB	CKA106B5			
41	PROTECTOR	PT0604701			
42	5P CONNECTOR	CN0520003701			
43	LUG	TWSM261			
44	PLASTIC RIVET	PT0603204			
45	LEAD WIRE	DWZ301501			
46	ERING	CSB72-6			
47	PCB HOLDER	PT0603201			
48	FIXED PLATE	MT0604410			
49	FIXED PLATE	MT0604411			
50	SCREW	SC0306RICI			
51	PROTECTOR	PT0604702			
52	FIXED HOLDER	PT0604405			

EXPLODE VIEW CD-340 (UK) (MAIN UNIT)



PARTS LIST

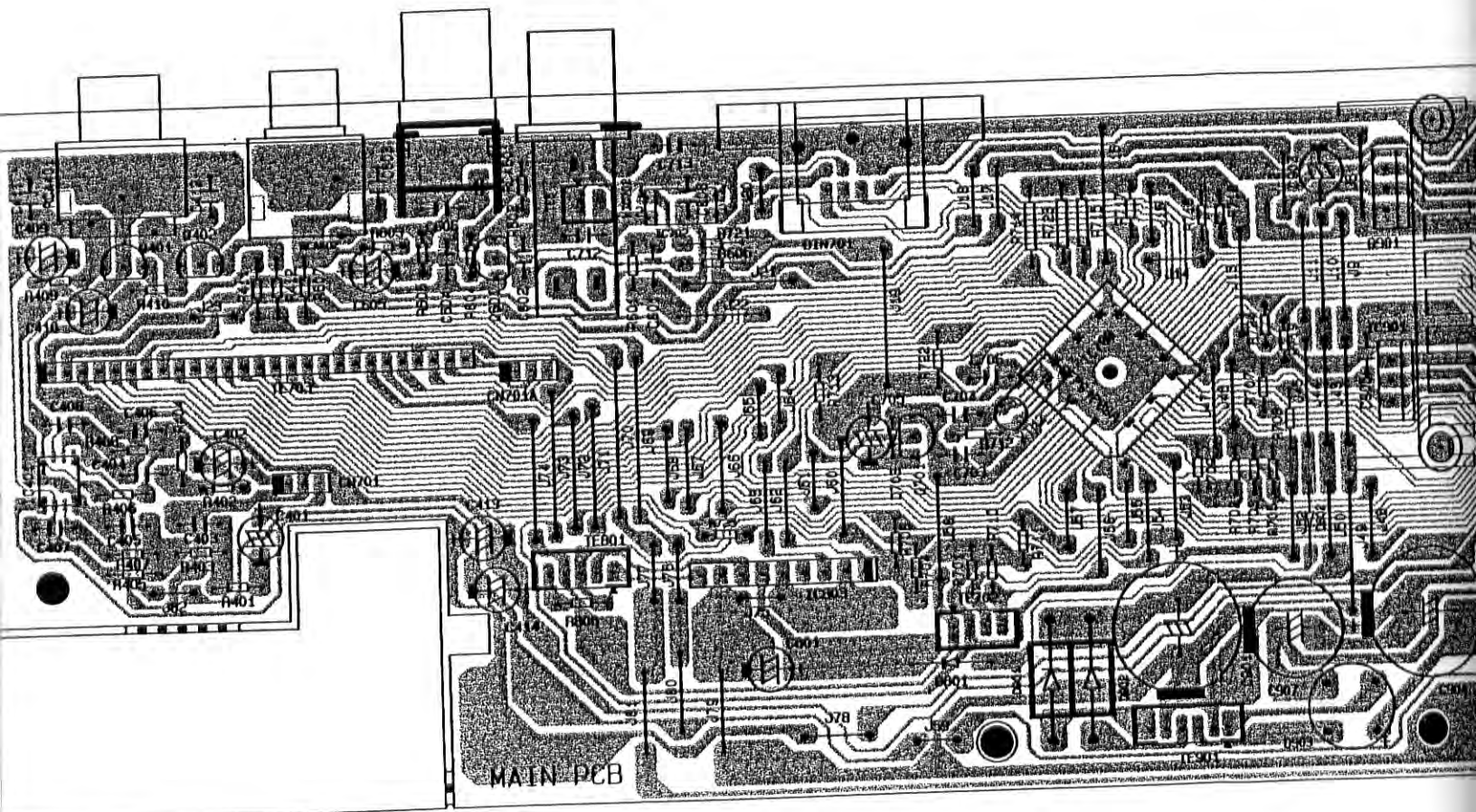
CDJ340GGMN03 (UK)

MAIN UNIT PARTS

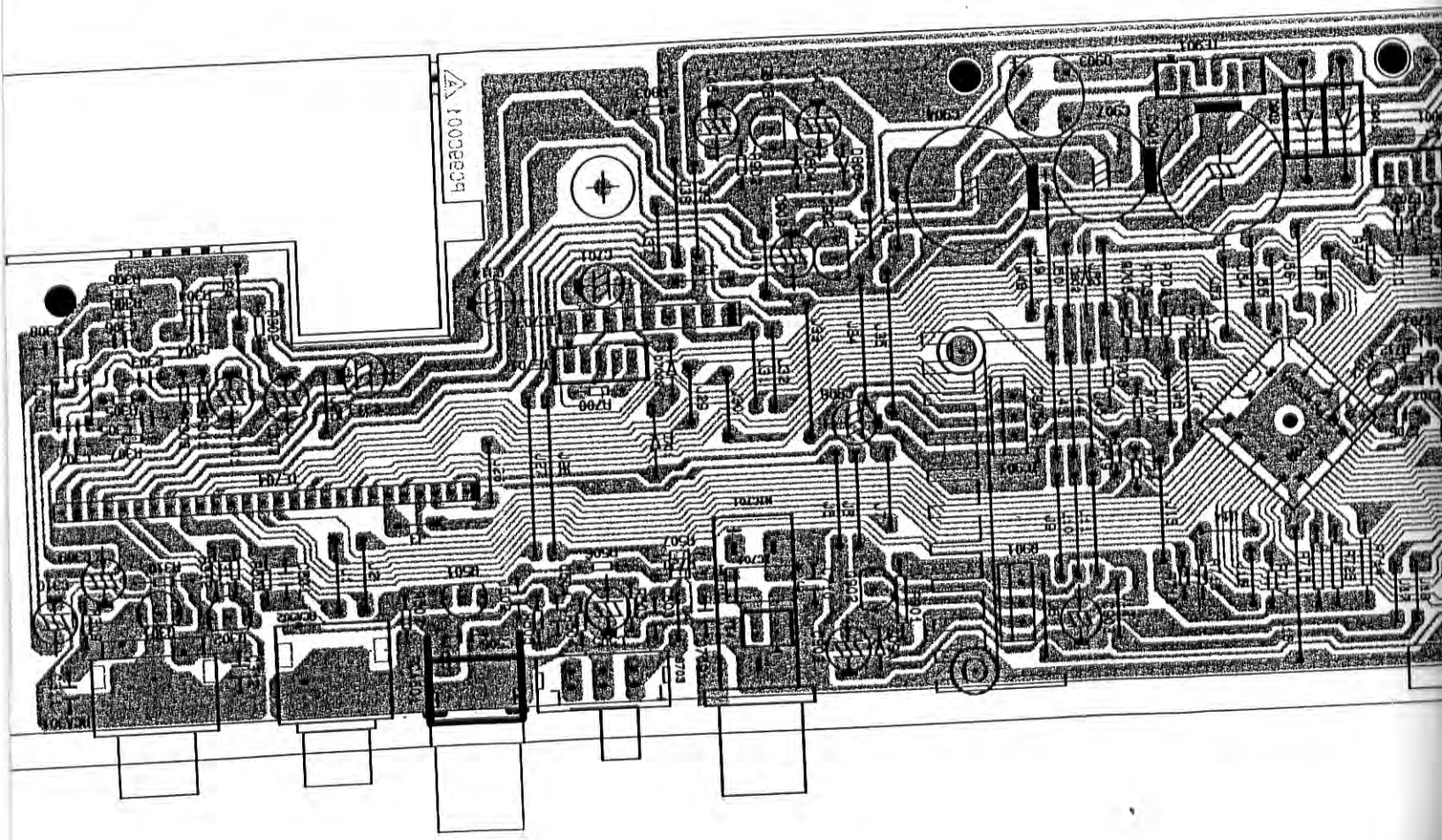
Symbol	Description No.	Part No.
1	SCREW	SC0306PBBI
2	HOLDER PLATE	MT0104451
3	SCREW	SC0310W8BBI
4	RATING & SERIAL NO. LABEL	LAC13GMN84(A)
5	DATE LABEL	LA62GMN37
6	SERVOP.C.B ASS'Y	TWPC99C00201
7	FFC	FFC1610003001
8	6P CONNECTOR	CN0620003002
9	SCREW	SC0306RBZI
10	MECHANISM	CM-H13A
11	LINEHOLDER	PT0104322
12	EVA	EVA0604401
13	TRAY PANEL	PT05029010902
14	EVA	EVA0504401
15	ERING	CSB72-6
16	LUG	TWSM261
17	POWER CABLE HOLDER	BAF2271
18	PCB HOLDER	PT0603201
19	LABEL	LAC47YH211
20	CLIP	K46-1
21	TOP COVER	MT0130109
22	MAIN PCB ASS'Y	TWPC99C00101
23	FIXED PLATE	MT0604411
24	FIXED PLATE	MT0604410
25	SCREW	SC0308RBZI
26	RUBBER KNOB	RU0110604
27	OPEN/CLOSE P.C.B ASS'Y	TWPC99C00701
28	PU STAND	BASJ5012B
29	PCB HOLDER	PT0603202
30	VELVET CARPET	NM0130102
31	POWER KNOB FRAME	PT0104428
32	FRONT PANEL	MT0630009102
33	POWER CABLE	PW52210UK02
34	SCREW	SC3508RBZI
35	FIXED PLATE	MT0104452
36	POWER P.C.B ASS'Y	TWPC99C00602
37	TRANSFORMER	TF57992401YH
38	BOTTOM CHASSIS	MT063030601
39	POWER SW ASS'Y	TWCD6019
40	POWER KNOB	CKA106B5
41	PROTECTOR	PT0604701
42	5P CONNECTOR	CN0520003701
43	PLASTIC RIVET	PT0603204
44	SCREW	SC0306RICI
45	PROTECTOR	PT0604702
46	FIXED HOLDER	PT0604405

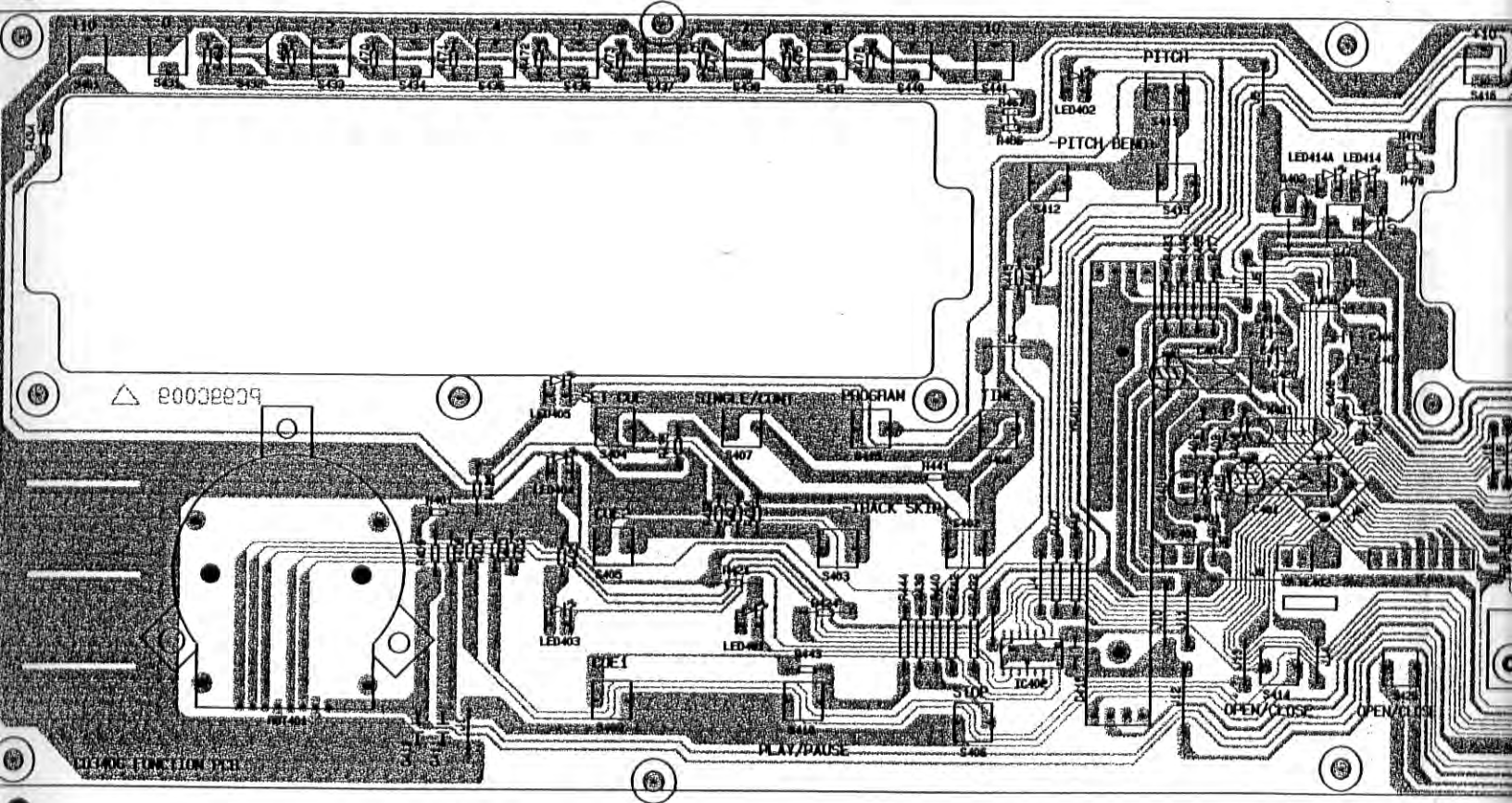
CONTROL UNIT PARTS

Symbol	Description No.	Part No.
1	VIEW PANEL	NP206GMN08
2	VIEW PANEL	NP106GMN07
3	ROTATE KNOB	PT0110630
4	KNOB FRAME	PT0104427
5	VRKNOB	PT0110622
6	ROTATE KNOB BASE	PT0110755
7	FRONT PANEL	MT0630010101
8	RUBBER KNOB	RU0610605
9	VRBASE	PT0104317
10	VELVET CARPET	NM1110601
11	RUBBER KNOB	RU061060301
12	RUBBER KNOB	RU061060401
13	CONTROL P.C.B ASS'Y	TWPC99C00901
14	I/O P.C.B ASS'Y	TWPC99C01001
15	SCREW	SC0308RBZI
16	LCD P.C.B ASS'Y	TWPC99C01101
17	SCREW	SC0306PBBI
18	REAR COVER	MT0620403B01
19	PLASTIC STAND	BAPF02A
20	RATING & SERIAL NO. LABEL	LAC13GMN80(B)
21	ROBO/START KNOB	PT061070201
22	SCREW	SC0304PBCI

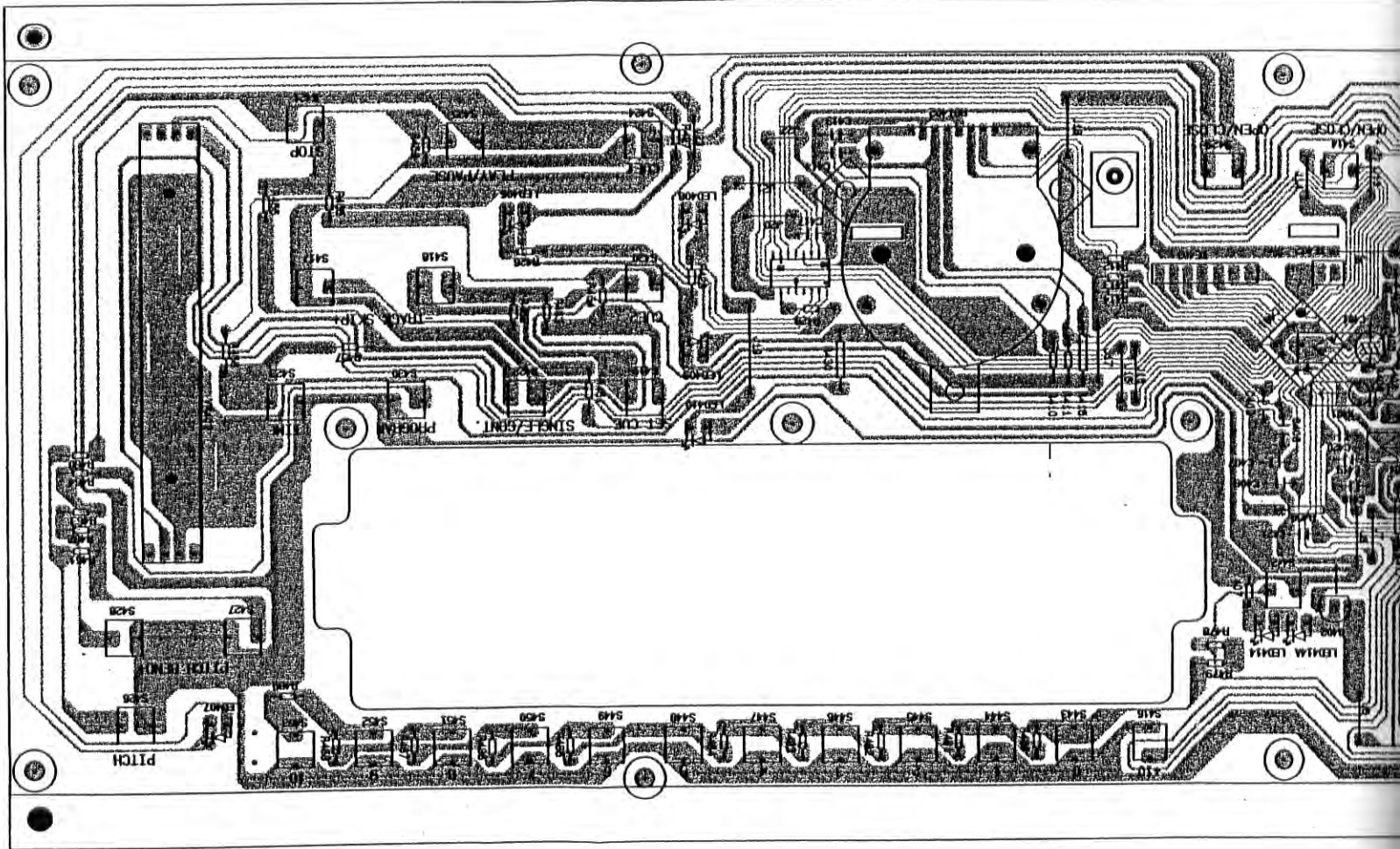


CD-340



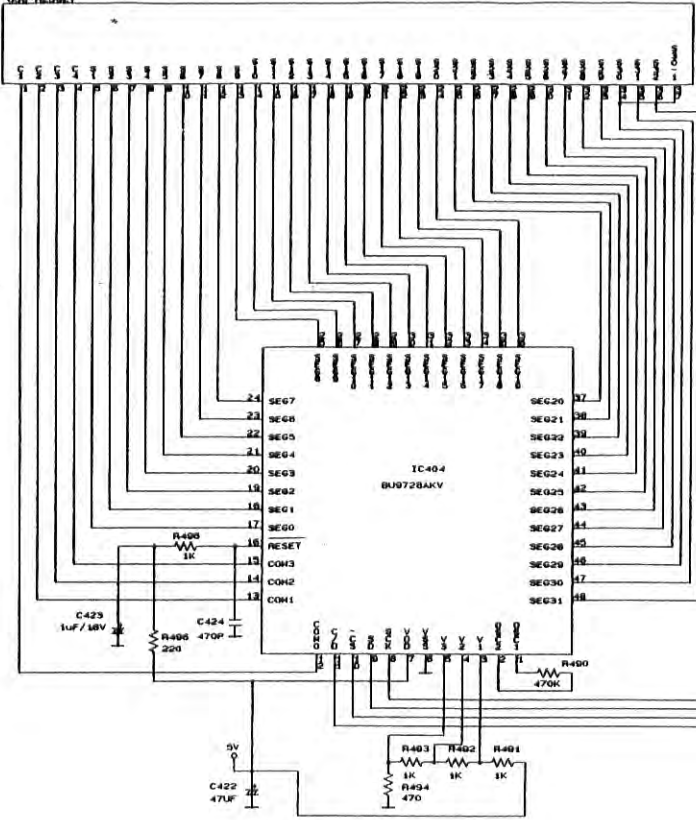
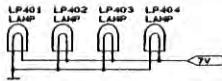


07E-00

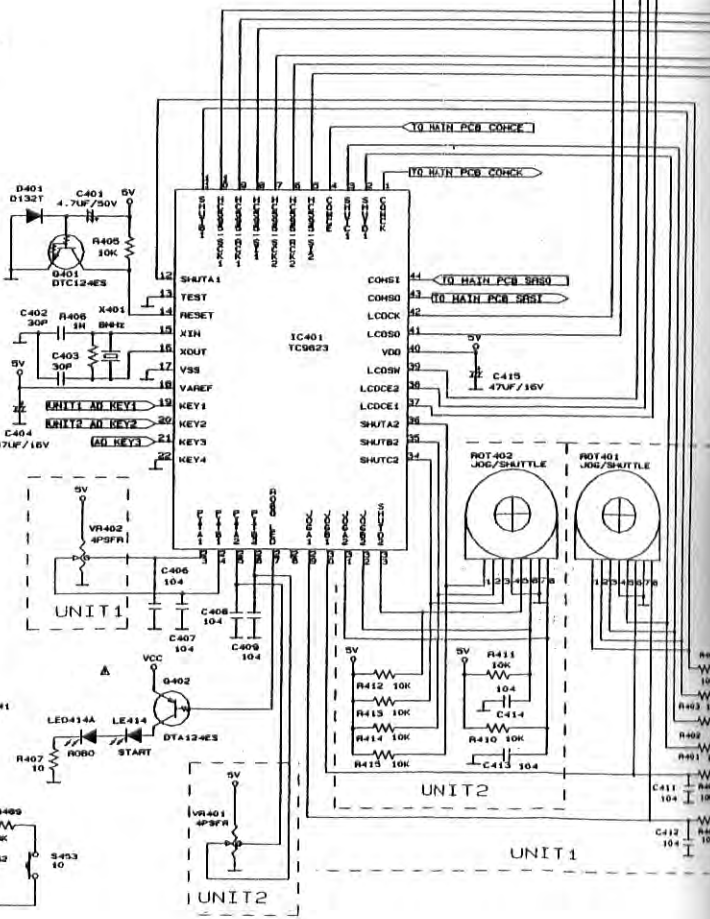
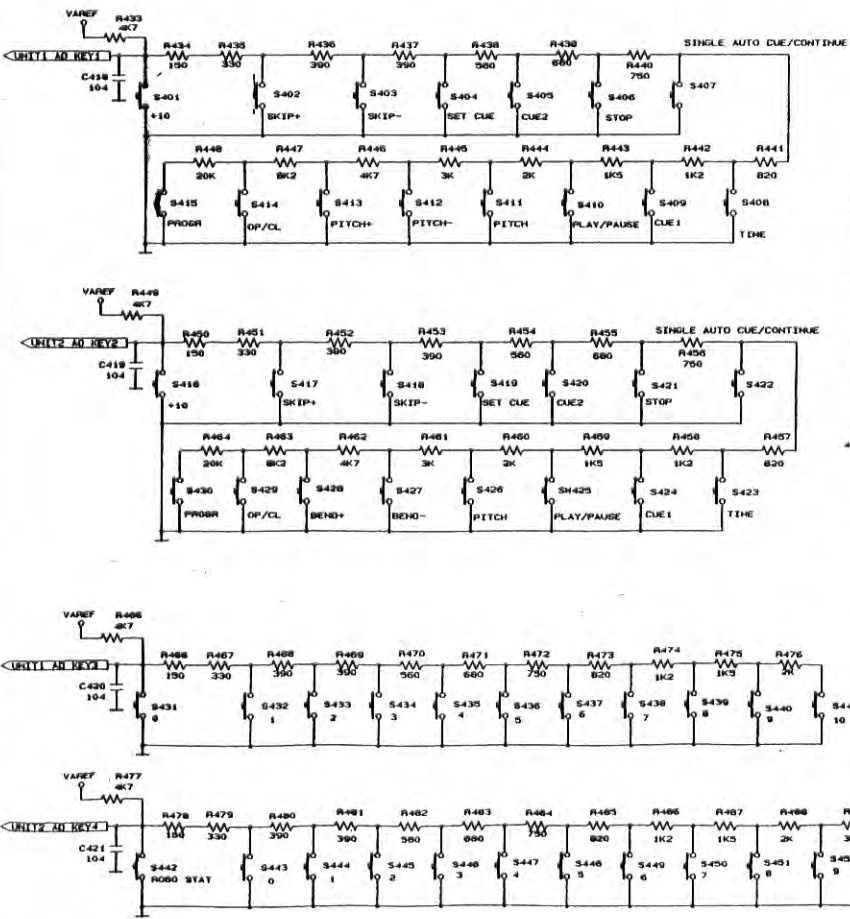
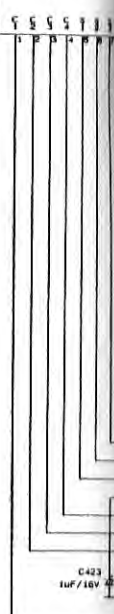


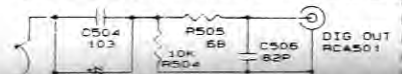
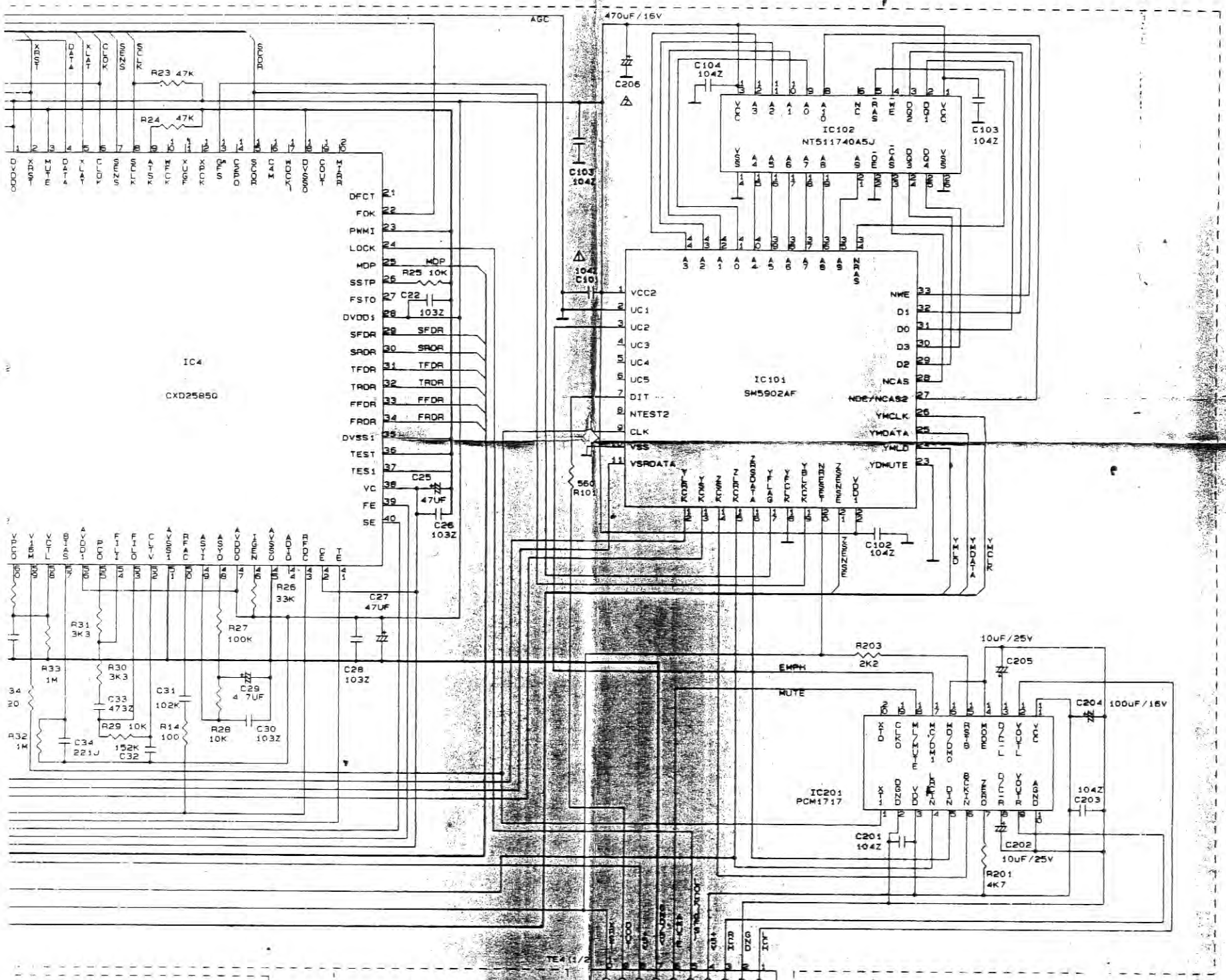
LCD401
UGS-16209EY

UNIT1

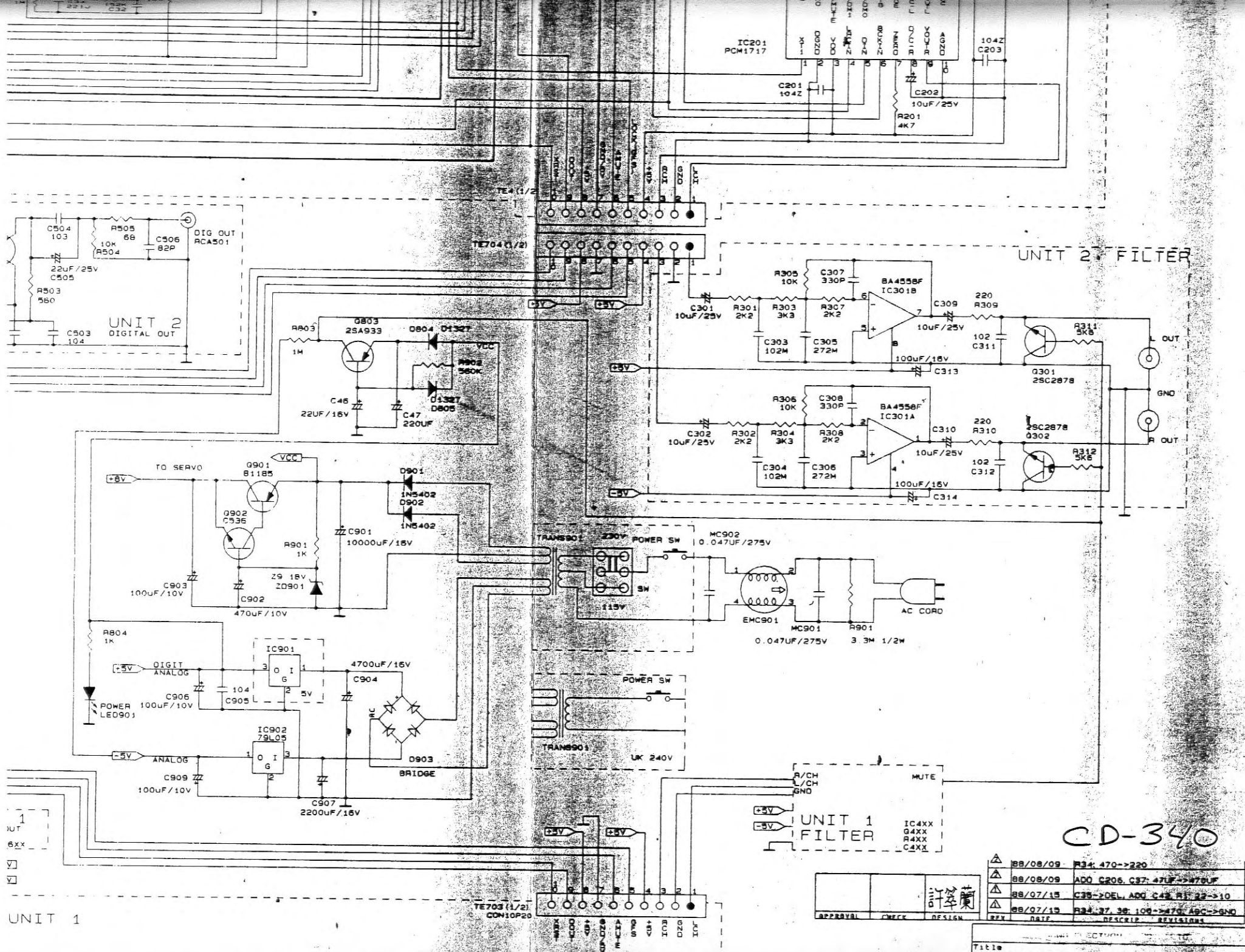


LCD402
UGS-16209EY





UNIT 2 FILTER

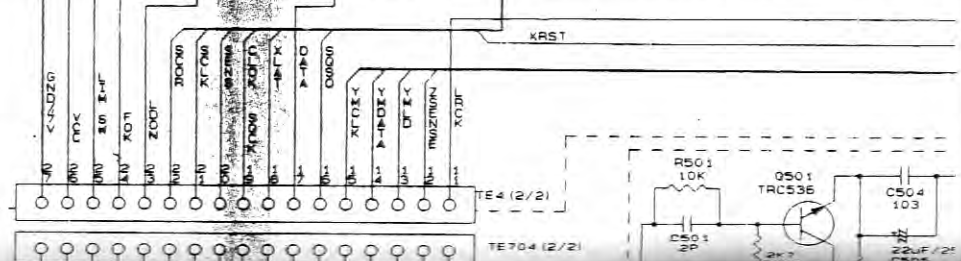
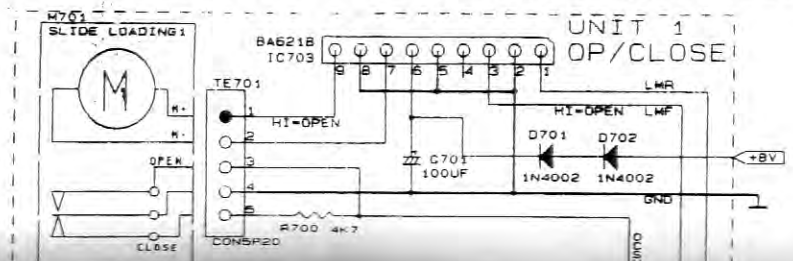
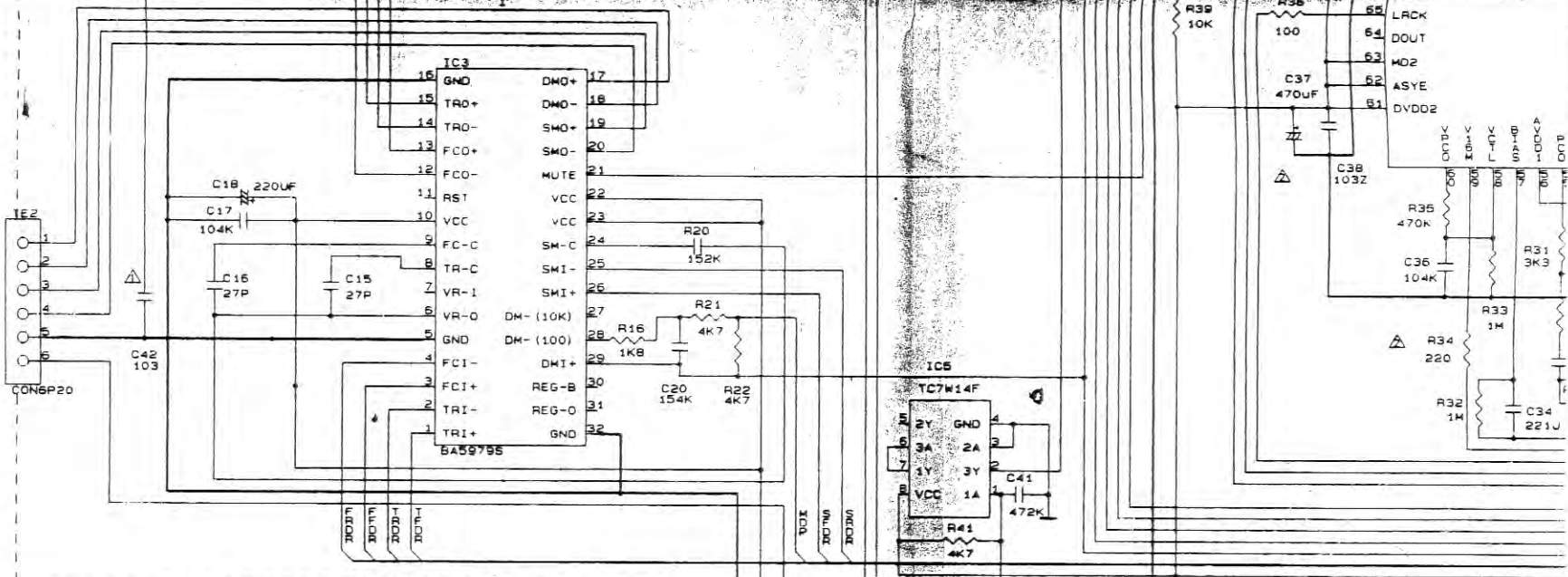
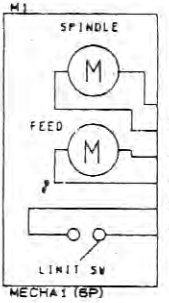
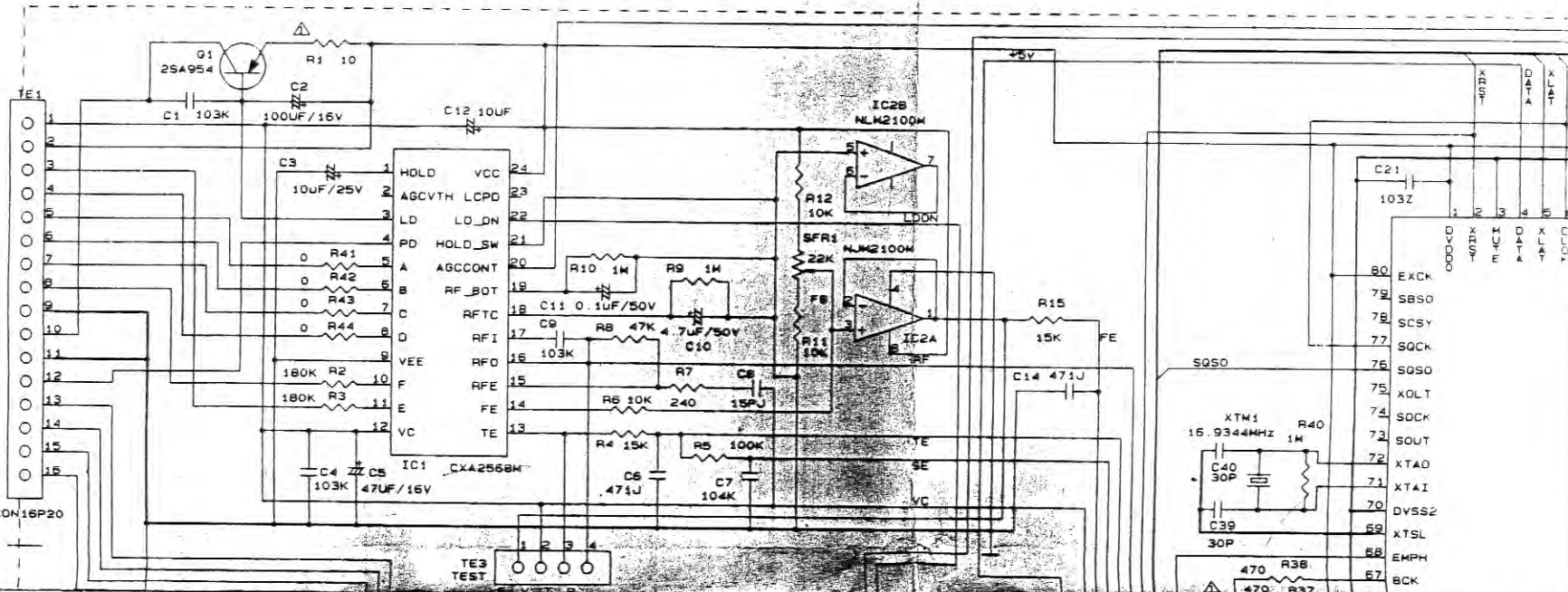
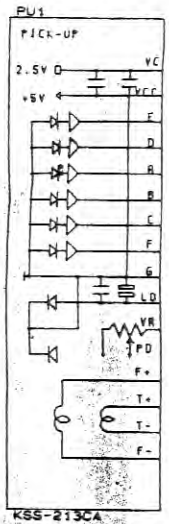


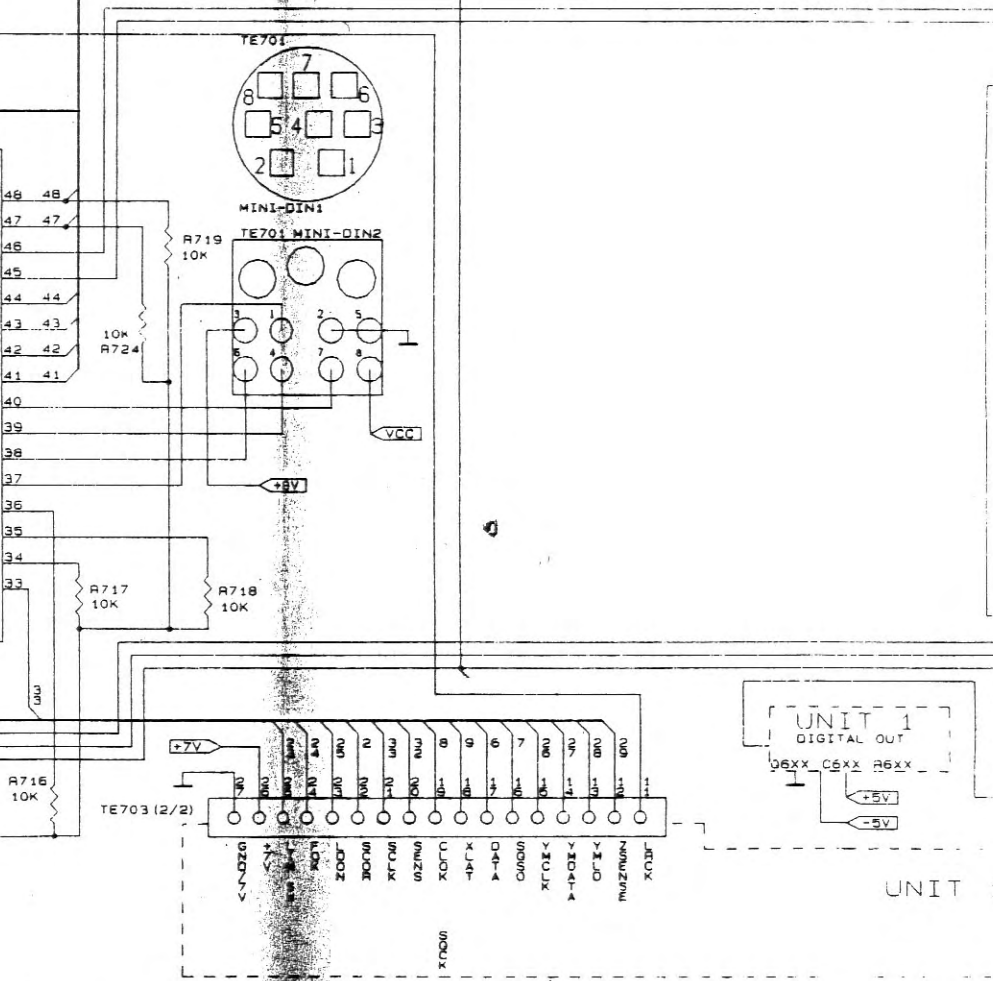
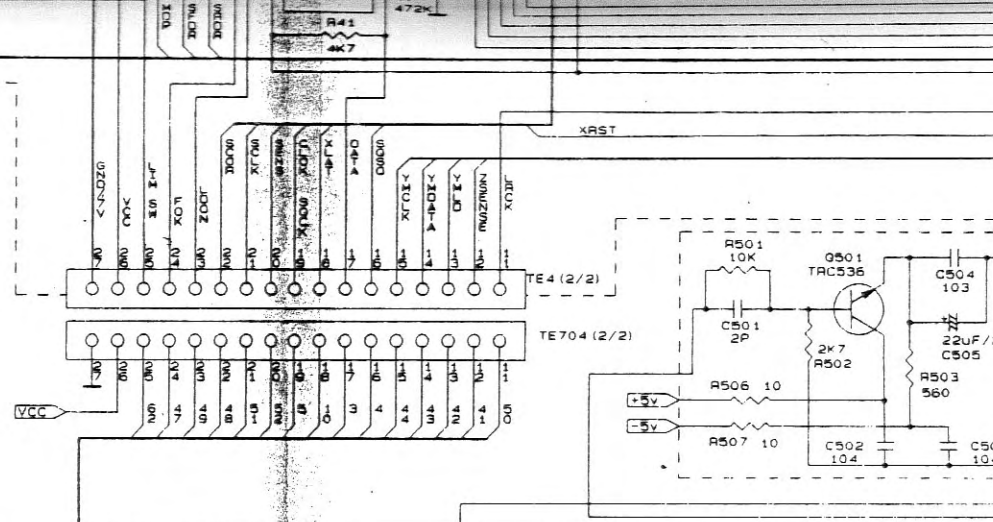
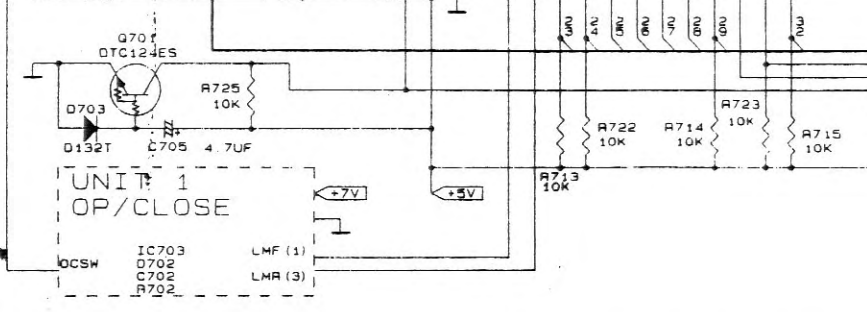
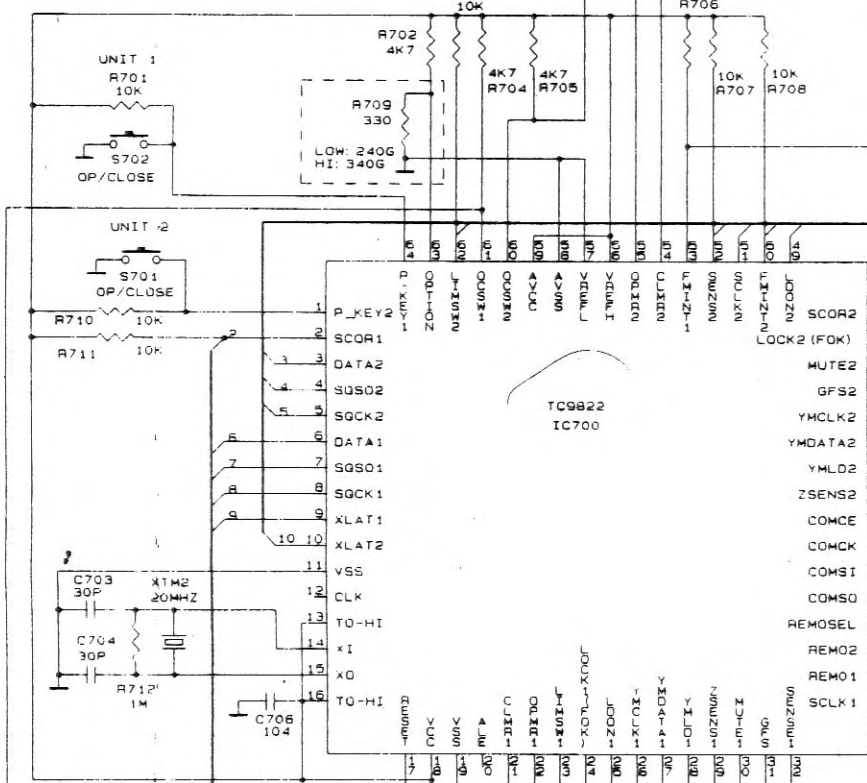
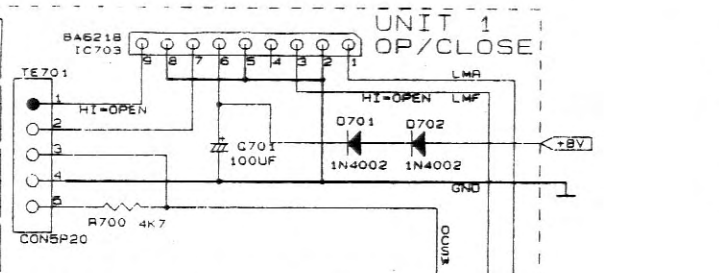
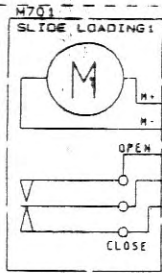
CD-340

88/08/09	R34: 470->220
88/08/09	ADD C206, C37: 47UF->470UF
88/07/13	C35->DEL, ADD C48, R1: 22->510
89/07/13	R34, 37, 38: 100->470, APC->GND
REV	DATE
	DESCRIP
	REVISIONS

APPROVAL	CHECK	DESIGN

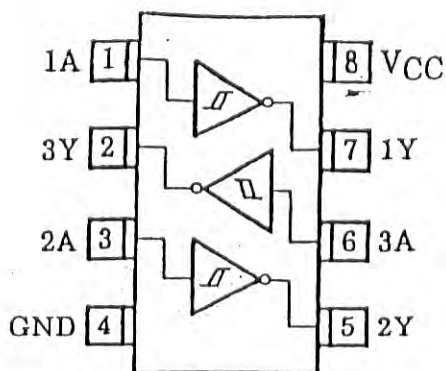
Title	CDJ240G (anti-check) SCHEMATIC DAISYRAM
Size	Document Number
A1	CDJ240G/CDJ240G-N SCH
Date	AUGUST 10 1988



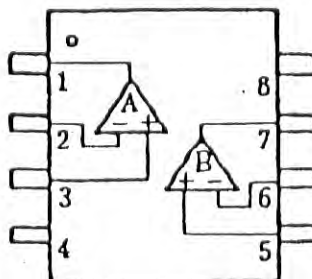


UNIT 1

ICTC7W14F



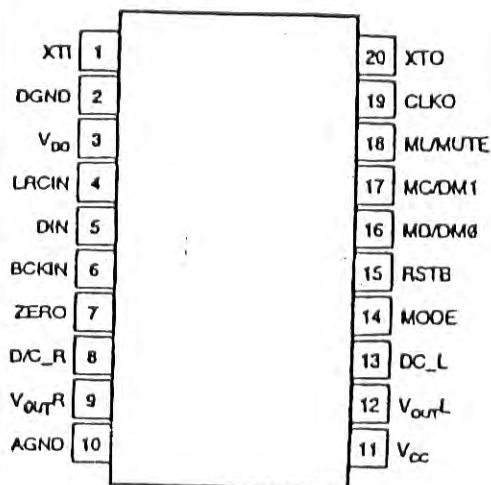
ICNJM2100M



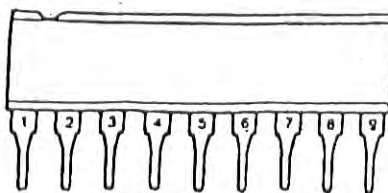
PIN FUNCTION

1. A OUTPUT
2. A -INPUT
3. A +INPUT
4. V⁻
5. B +INPUT
6. B -INPUT
7. B OUTPUT
8. V⁺

ICPCM1717

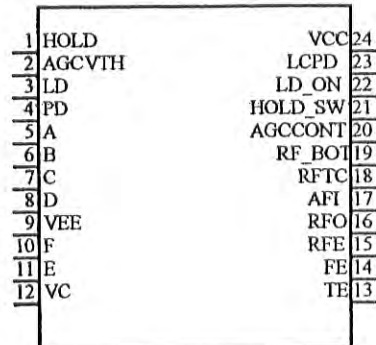


IC6218

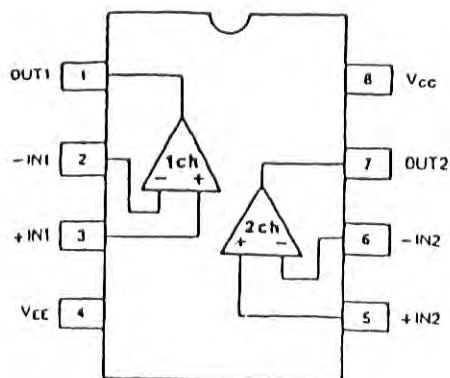


- | | |
|----------|-----------|
| 1. INPUT | 6. Vcc |
| 2. GND | 7. OUTPUT |
| 3. INPUT | 8. COMMON |
| 4. NC | 9. OUTPUT |
| 5. GND | |

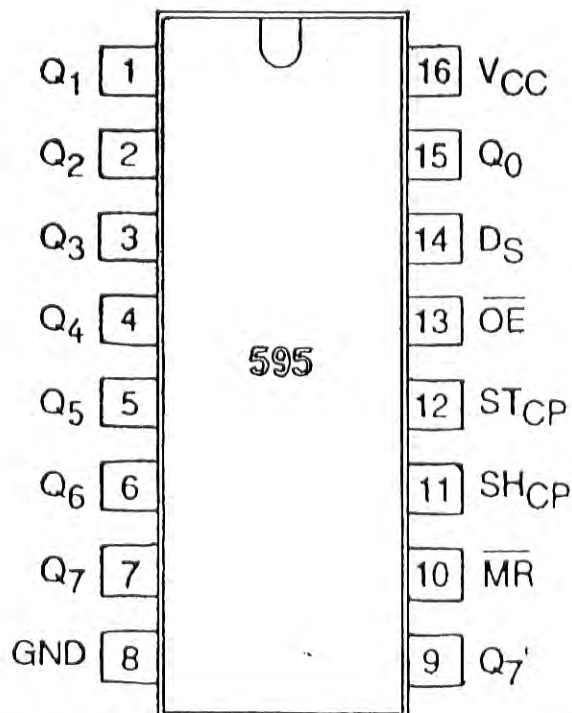
ICCXA2568M



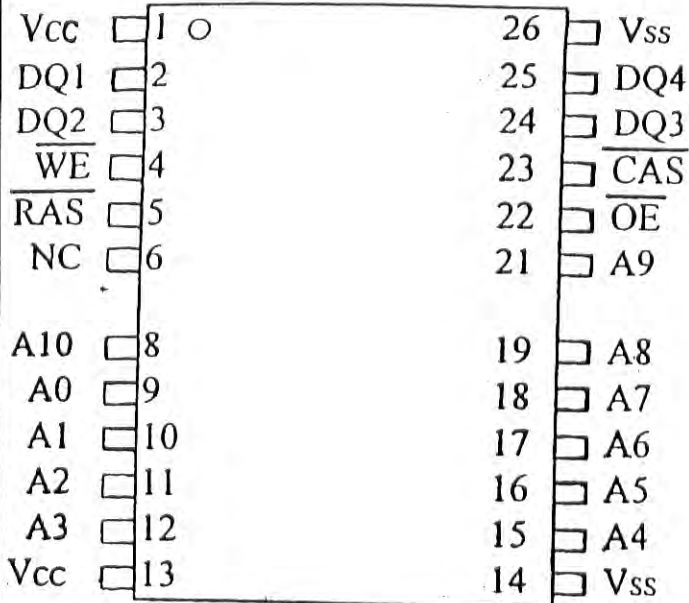
ICBA4558F



IC74HC595

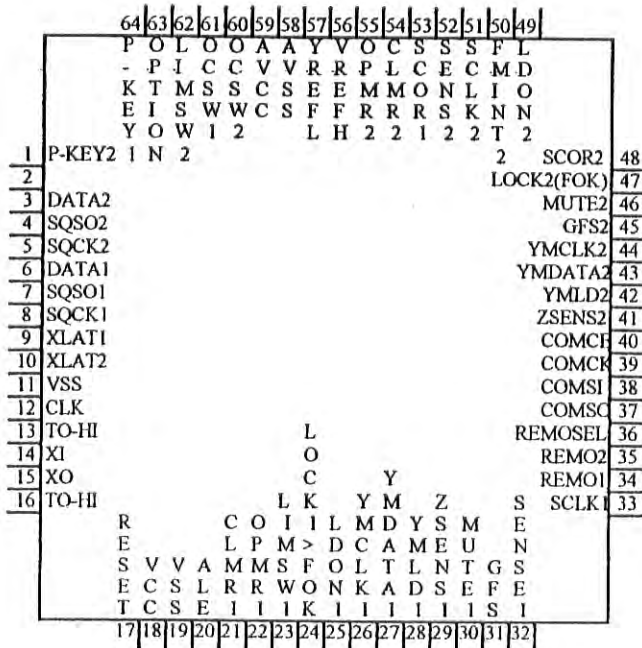


ICNT511740C5J60

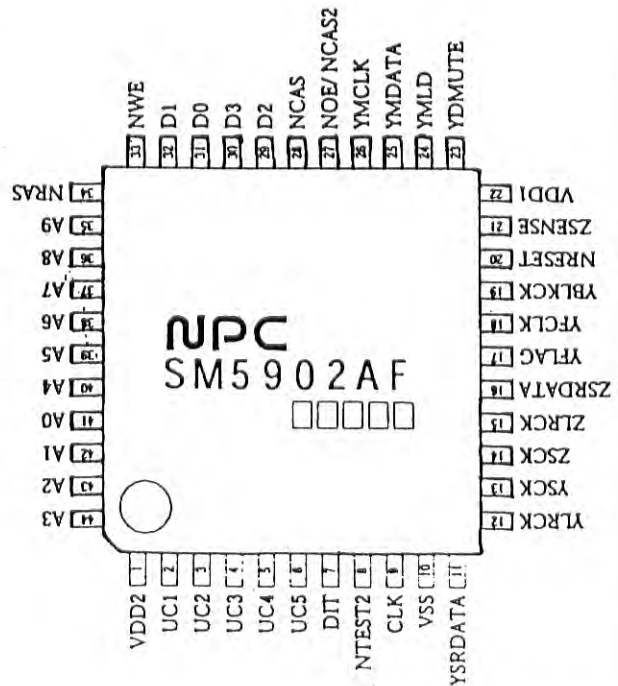


- 1. RAS: ROW ADDRESS STROBE
- 2. CAS: UPPER COLUMN ADDRESS STROBE
- 3. A0-A10: ADDRESS INPUTS
- 4. DQ1-DQ4: DATA INPUT/OUTPUT
- 5. WE: WRITE ENABLE
- 6. OE: DATA OUTPUT ENABLE
- 7. Vcc: POWER SUPPLY(5V)
- 8. Vss: GROUND
- 9. NC: NO CONNECTION

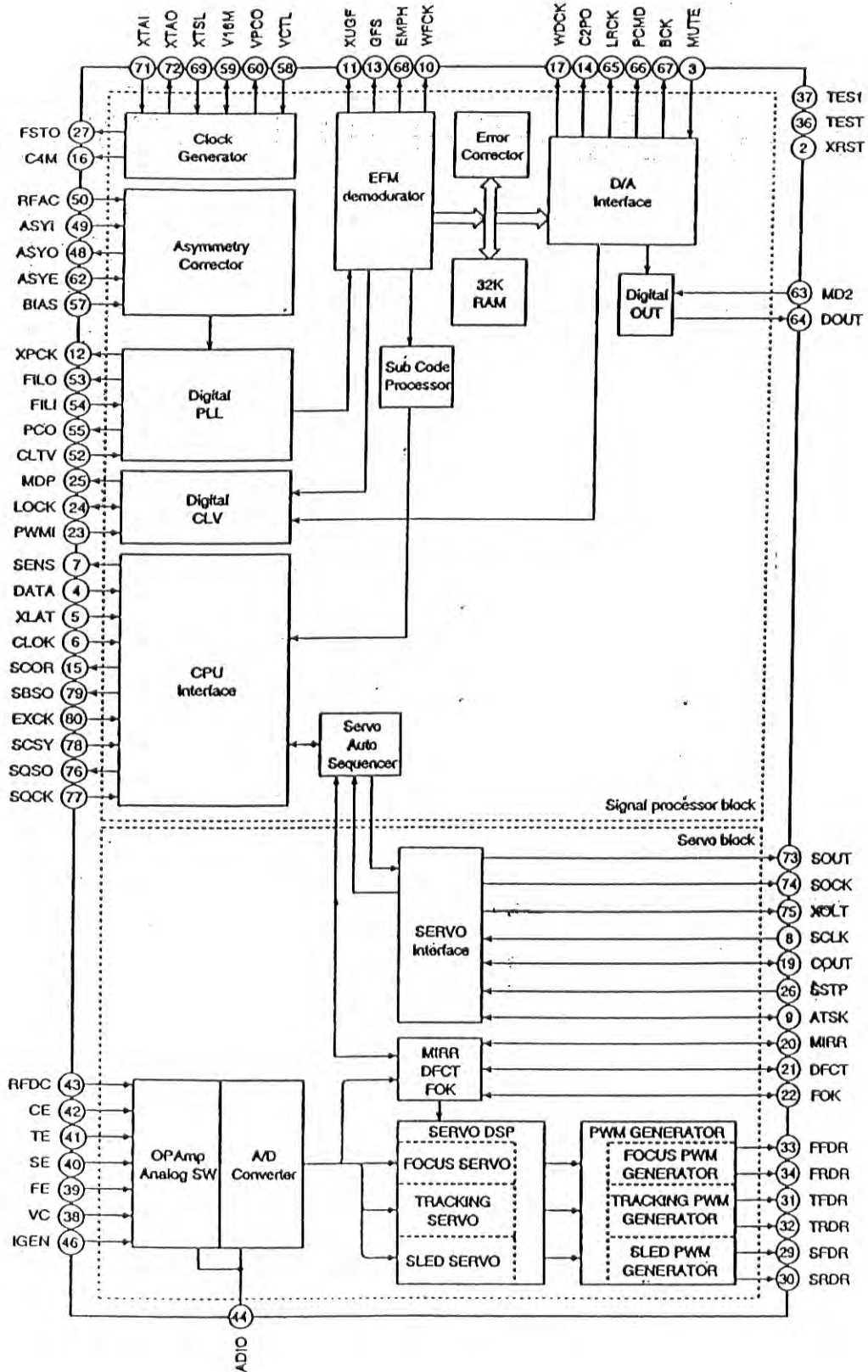
ICYH9822



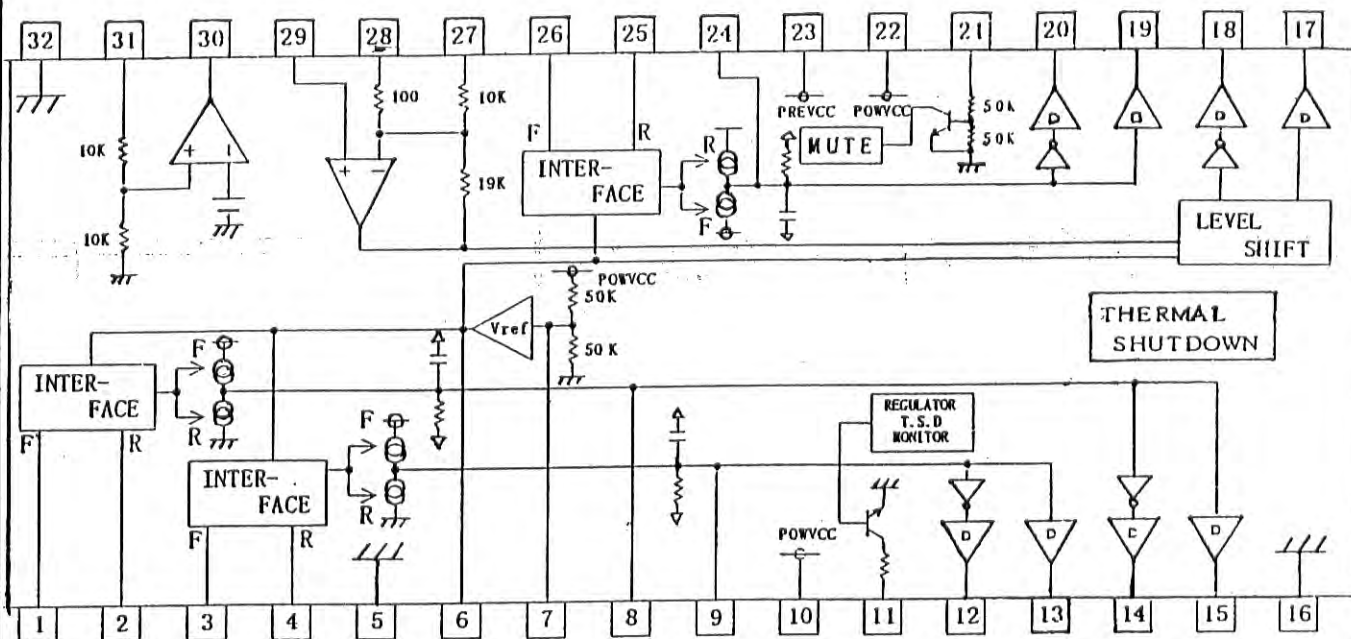
ICSM5902AF



ICCXD2585Q



ICBA5979S



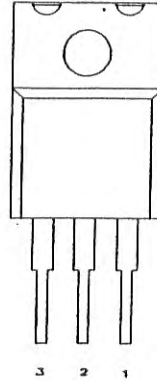
TERMINAL NUMBER	TERMINAL NAME	DESCRIPTION OF TERMINAL
1	CH1FIN	CH1 PWM forward input
2	CH1RIN	CH1 PWM reverse input
3	CH2FIN	CH2 PWM forward input
4	CH2RIN	CH2 PWM reverse input
5	GND	GND
6	VREFOUT	Internal reference voltage output terminal
7	VREFIN	Internal reference voltage input terminal
8	CAPAIN1	External capacitor connection terminal #1
9	CAPAIN2	External capacitor connection terminal #2
10	POWVCC	VCC for CH1/CH2 power block
11	RESET	output for reset
12	CH2OUTR	CH2 reverse output terminal
13	CH2OUTF	CH2 forward output terminal
14	CH1OUTR	CH1 reverse output terminal
15	CH1OUTF	OUTPUT terminal
16	GND	Substrate ground
17	CH4OUTF	CH4 forward output terminal
18	CH4OUTR	CH4 reverse output terminal
19	CH3OUTF	CH3 forward output terminal
20	CH3OUTR	CH3 reverse output terminal
21	MUTE	Mute control terminal
22	POWVCC	VCC for CH3/CH4 power block
23	PREVCC	VCC for pre block
24	CAPAIN3	External capacitor connection terminal #3
25	CH3RIN	CH3 PWM reverse input
26	CH3FIN	CH3 PWM forward input
27	CH4IN	CH4 input terminal
28	CH4IN'	CH4 gain control terminal
29	CH4BLAS	CH4 bias input terminal
30	REG-B	connection with BASE of PNP Tr
31	REGOUT	Output for regulator *1
32	GND	Substrate ground

DTA124ES



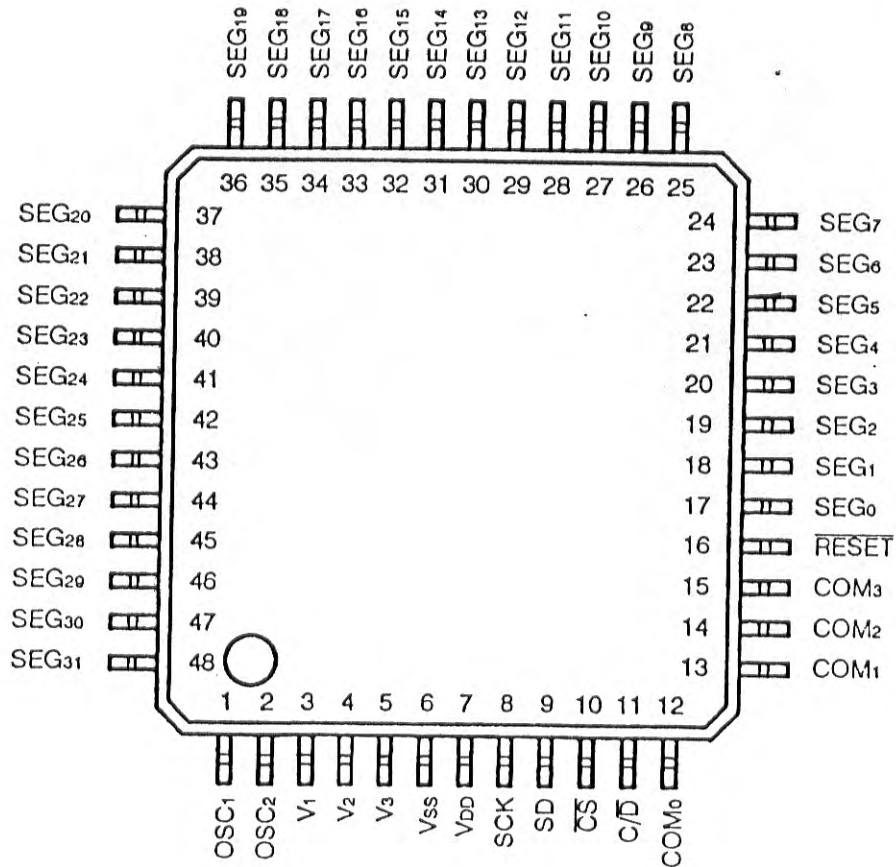
- 1. EMITTER
- 2. COLLECTOR
- 3. BASE

TRB1185



- 1. OUTPUT
- 2. INPUT
- 3. COMMON

ICBU9728AKV

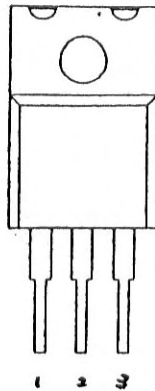


TRC2878



- 1. EMITTER
- 2. COLLECTOR
- 3. BASE

ICBA05T



- 1. VCC
- 2. GND
- 3. OUT

TRC536T



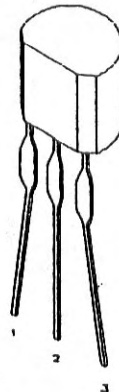
- 1. GND
- 2. OUTPUT
- 3. INPUT

TR2SA950YT



- 1. BASE
- 2. COLLECTOR
- 3. EMITTER

TRA608T



- 1. BASE
- 2. COLLECTOR
- 3. EMITTER

IC7905L



- 1. COMMON
- 2. INPUT
- 3. OUTPUT

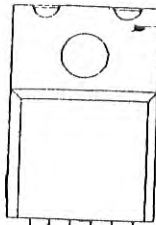
TRDTC124EST



- 1. GND
- 2. OUT
- 3. IN

ICYH9823

IC7805



- 1. OUTPUT
- 2. COMMON
- 3. INPUT

3 2 1

	44	43	42	41	40	39	38	37	36	35	34		
	C	C	L	L	V	L	L	L	S	S	S		
	O	O	C	C	D	C	C	C	H	H	H		
	M	M	D	D	D	D	D	D	U	U	U		
	S	S	C	S		S	C	C	T	T	T		
	I	D	K	D		W	E	E	A	B	C		
							2	1	2	2	2		
1	COMCK											SHUTD2	33
2	SHUD1											JOGB2	32
3	SHUC1											JOGA2	31
4	COMCE											JOGB1	30
5	HC595-SI2											JOGA1	29
6	HC595-RCK2												28
7	HC595-SCK2											ROBO LED	27
8	HC595-SI1											PITB2	26
9	HC595-RCK1											PITA2	25
10	HC595-SCK1											PITB1	24
11	SHUTB1											PITA1	23
	S												
	H	R					V						
	U	T	E	X		A	K	K	K	K			
	T	E	S	X	O	V	R	E	E	E			
	A	S	E	I	U	S	E	Y	Y	Y			
	1	T	T	N	T	S	F	1	2	3	4		
	12	13	14	15	16	17	18	19	20	21	22		