

ZCGP150PII - GE Monogram™ 15" Built-In Compactor for Custom Panels

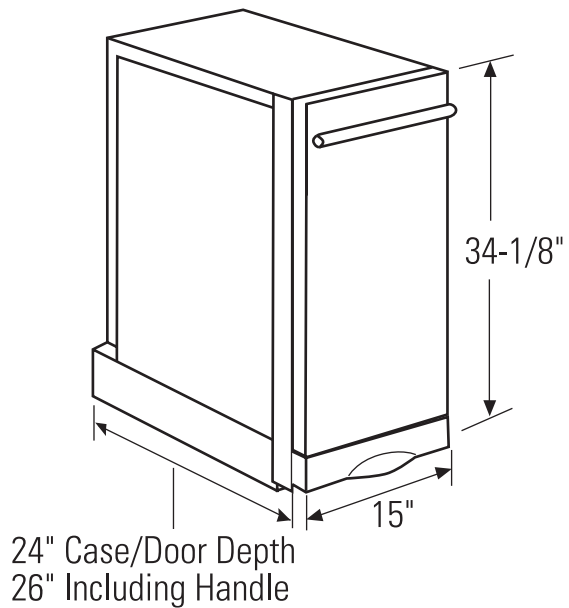
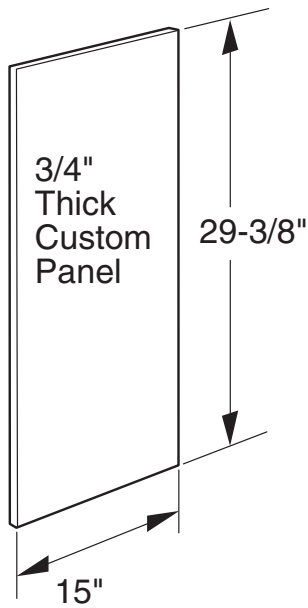
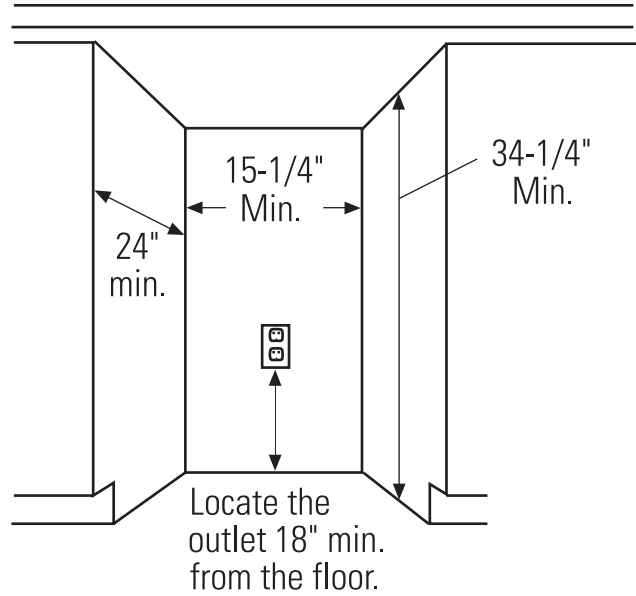
Dimensions and Installation Information (in inches)

This compactor is designed as a built-in appliance only. It may be located in any convenient space under a countertop. DO NOT OPERATE FREE-STANDING because the compactor will tip over when the drawer is pulled out.

Additional Specifications: A 115 Volt, 60 Hz. power supply is required. An individual properly grounded branch circuit protected by a 15- or 20-amp circuit breaker or time delay fuse is recommended. Install a properly grounded 3-prong electrical receptacle recessed into the back wall. Electrical outlet location is critical for proper cord storage when compactor is installed.

If the compactor is to be located in or near a corner of base cabinets, allow 6" minimum clearance from the corner for bag removal on the right side.

Front View (not to scale)



For answers to your Monogram®, GE Profile™ or GE® appliance questions, visit our website at ge.com or call GE Answer Center® service, 800.626.2000.



imagination at work

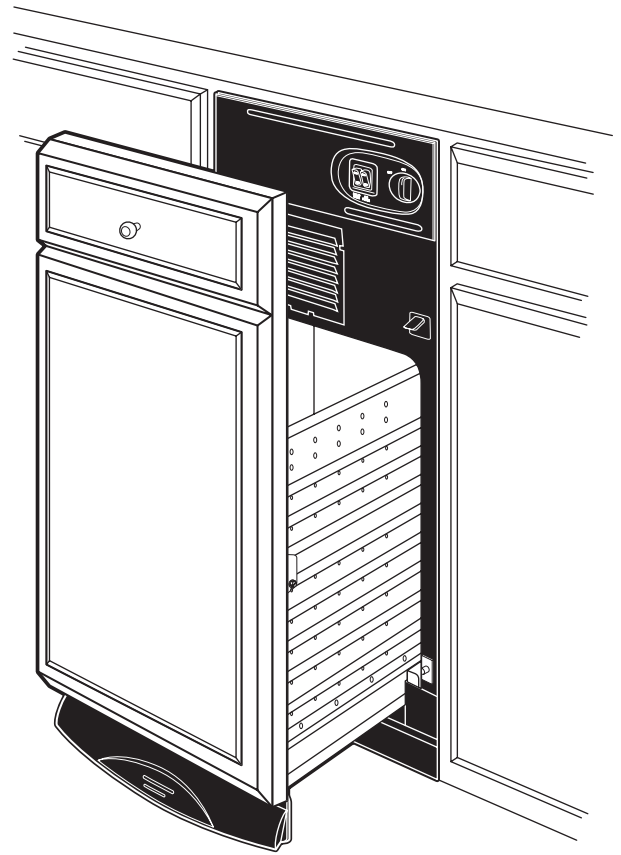


Listed by Underwriters Laboratories

ZCGP150PII - GE Monogram™ 15" Built-In Compactor for Custom Panels

Features and Benefits

- Hidden Controls - The controls are hidden behind the compactor door, lending a beautiful designer appearance
- Built-In Only - The compactor is built-in to adjacent cabinetry for an upscale appearance
- 1.4 Cu. Ft. Capacity - Provides plenty of room for waste items or recyclables
- 1/3 HP Motor - Powerful motor provides heavy-duty compacting power
- Charcoal filter, fan and air freshener - help manage odor
- Toe Pedal Opener - Hands-free toe pedal drawer makes it easy to open and load
- Removable Drawer - Makes it simple to empty and clean
- Side Release Bin - Allows ease of emptying
- Model ZCGP150PII - Custom panel required



imagination at work