

**PrintPartner 12V  
PAGE PRINTER  
PARTS CATALOGUE**

FUJITSU LIMITED  
Communications and Electronics  
Tokyo, Japan

This is parts catalogue for PrintPartner 12V Page Printer.

This manual is for service engineers.

There are several models of PrintPartner 12V Page Printer.

This manual covers all models.

This manual consists of two parts: Parts List and Parts Drawings.

Parts list has layer structure. You can find assembly levels.

Parts drawing does not have the layer structure.

You can see the model difference from the parts list easily.

There are other manuals for service engineers as follows.

Especially the maintenance manual has close relationship to this manual.

PrintPartner 12V Page Printer Maintenance Manual

PrintPartner 12V Page Printer Schematic Diagrams

PrintPartner 12V Page Printer User's Manual

PrintPartner 12V Page Printer Product Description

<b>REVISION RECORD</b>		
<b>Edition</b>	<b>Date published</b>	<b>Revised contents</b>
01	March 1998	First issue
Specification No. C145-GO21-01EN		

The contents of this manual may be revised without prior notice.

All Rights Reserved, Copyright© 1998 FUJITSU LIMITED. Printed in Japan.  
 No part of this manual may be reproduced in any form without permission.

Address your comments and inquiries on this manual to:

**FUJITSU COMPUTER PRODUCTS OF AMERICA, INC.**

2904 Orchard Parkway, San Jose  
CA 95 134-2022, U.S.A.  
TEL: (1-408) 432-6333  
FAX: (1-408) 894-1709

**FUJITSU CANADA INC.**

2800 Matheson Boulevard East  
Mississauga, Ontario L4W 4X5, CANADA  
TEL: (1-905) 602-5454  
FAX: (1-905) 602-5457

**FUJITSU AUSTRALIA LIMITED**

475 Victoria Avenue, Chatswood  
N.S.W., 2067, AUSTRALIA  
TEL: (61-2) 410-4555  
FAX: (61-2) 411-8603

**FUJITSU DEUTSCHLAND GmbH.**

Frankfurter Ring 211  
80807 Munchen, GERMANY  
TEL: (49-89) 32378-0  
FAX: (49-89) 32378-100

**FUJITSU ESPANA, S.A.**

Almagro 40,28009 Madrid, SPAIN  
TEL: (34-1) 581-8400  
FAX: (34-1) 581-8125

**FUJITSU EUROPE LTD.**

2 Longwalk Road, Stockly Park, Uxbridge  
Middlesex UB11 1AB, ENGLAND  
TEL: (44-8 1) 573-4444  
FAX: (44-8 1) 573-2643

**FUJITSU FRANCE S.A.**

1, place des Etats-Unis Silic 310  
94588 RUNGIS Cedex, FRANCE  
TEL: (33- 1) 41-80-38-80  
FAX: (33- 1) 41-80-38-66

**FUJITSU HONG KONG LIMITED**

Room 2521, Sun Hung Kai Centre  
30 Harbour Road, HONG KONG  
TEL: (852) 827-5780  
FAX: (852) 827-4724

**FUJITSU ICIM LTD.**

Nagar Road, Pune 411 014, INDIA  
TEL: (9 1-212) 681-528  
FAX: (9 1-2 12) 680-238

**FUJITSU ITALIA S.p.A.**

Via Nazario Sauro, 38  
20099 Sesto S, Giovanni (MI), ITALY  
TEL: (39-2) 26294-1  
FAX: (39-2) 26294-201

**FUJITSU KOREA LTD.**

9th Floor, Korean Reinsurance Bldg.  
80, Susong-Dong, Chongro-Gu  
Seoul Special City, KOREA  
TEL: (82-2) 739-3281  
FAX: (82-2) 739-3294

**FUJITSU NORDIC AB**

Kung Hans Väg 12  
S-191 76 Sollentuna, SWEDEN  
TEL: (46-8) 626-6000  
FAX: (46-8) 626-6711

**FUJITSU (SINGAPORE) PTE. LTD.**

75 Science Park Drive  
#02-06 CINTECH II, SINGAPORE 0511  
TEL: (65) 777-6577  
FAX: (65) 777-8794

**FUJITSU SYSTEMS BUSINESS (MALAYSIA) SDN. BHD.**

Fujitsu Plaza, 1A, Jalan Tandang 204  
P.O. Box 636 Pejabat Pos Jalan Sultan  
46770 Petaling Jaya  
Selangor Darul Ehsan, MALAYSIA  
TEL: (60-3) 793-3888  
FAX: (60-3) 793-0888

**FUJITSU SYSTEMS BUSINESS (THAILAND) LTD.**

12th Floor, Olympia Thai Tower  
444 Rachadapisek Road, Samsenok  
Huaykwang, Bangkok 103 10, THAILAND  
TEL: (662) 512-6066  
FAX: (662) 512-6068

**FUJITSU TAIWAN LTD.**

8th FL., NO. 170, Hung Tai Center  
Tun Hwa N. RD., Taipei, TAIWAN  
TEL: (886-2) 545-7700  
FAX: (886-2) 717-4644

**FUJITSU LIMITED**

Computer Products Business Group  
Kamikodanaka 4-1-1, Nakahara-ku  
Kawasaki-shi 211, JAPAN  
TEL: (8 1-44) 754-8633  
FAX: (8 1-44) 754-8510

# 1. HOW TO REFER TO THIS MANUAL

Example:

Index No.	Composition & Quantity <sup>②</sup>				S P	Specification	Parts name (Description) <sup>⑦</sup>	PP12V		Remarks
								120	220	
	1					CA04291-B300	PP12V (CENTRO-120V)	○		N-AMERICA
	1					CA04291-B301	PP12V (CENTRO-120V)	○		FCI
	1					CA04291-B302	PP12V (CENTRO-120V)	○		FCPA
	1					CA04291-B303	PP12V (CENTRO-120V)	○		ASIA
	1					CA04291-B350	PP12V(CENTRO-220~240V)	○	○	EUROPE
	1					CA04291-B351	PP12V(CENTRO-220~240V)	○	○	FAL
	1					CA04291-B352	PP12V(CENTRO-220~240V)	○	○	ASIA
	1					CA04291-B353	PP12V(CENTRO-220~240V)	○	○	EUROPE
	1					CA04291-B360	PP12V(CENTRO-220~240V)	○	○	NO-BRAND
	1					CA04291-B354	PP12V(CENTRO-220~240V)	○	○	EUROPE
	1~8		1			CA04040-F550	UPPER COVER ASY	○	○	
	1~5		1			CA04040-G550	U COVER SUB ASY <sup>⑥</sup>	○	○	
	1					CA04040-G585	COVER SUB ASY	○	○	
	2					CA02758-Y803	UPPER DOOR	○	○	
	3					CA02758-Y805	UD GUIDE L	○	○	
	4					CA02758-Y806	UD GUIDE R	○	○	
	5					CA02758-Y807	UD GUIDE LL	○	○	
	6		1			CA04040-0574	OP PANEL	○	○	
	7		1			CA04040-Y564	OP CABLE	○	○	
	8		1			CA04040-Y573	VOLUME CABLE	○	○	
	9		3			F6-SBD3-06121	SCREW	○	○	

- 1 This figure shows the index number of the part in the drawing.
- 2 These columns show the construction levels. A higher level part consists of the following lower level parts listed until the quantity of the next part appears at the same level. See example 3.
- 3 m-n shows an assembly or unit consisting of more than one part. The upper cover subassembly consists of a cover subassembly, an upper door, and guides.
- 4 These parts are at the same level and belong to the same upper level part.
- 5 Parts with an asterisk (\*) are recommended spare parts.
- 6 The upper cover assembly is the part name of item numbers 1 to 5.
- 7 PP12V stands for PrintPartner 12V.
- 8 Part with an @ can be purchased.
- \* The upper cover assembly is a recommended spare part.

## 2. SPECIFICATIONS

The table below lists standard models of the PrintPartner 12V printer.

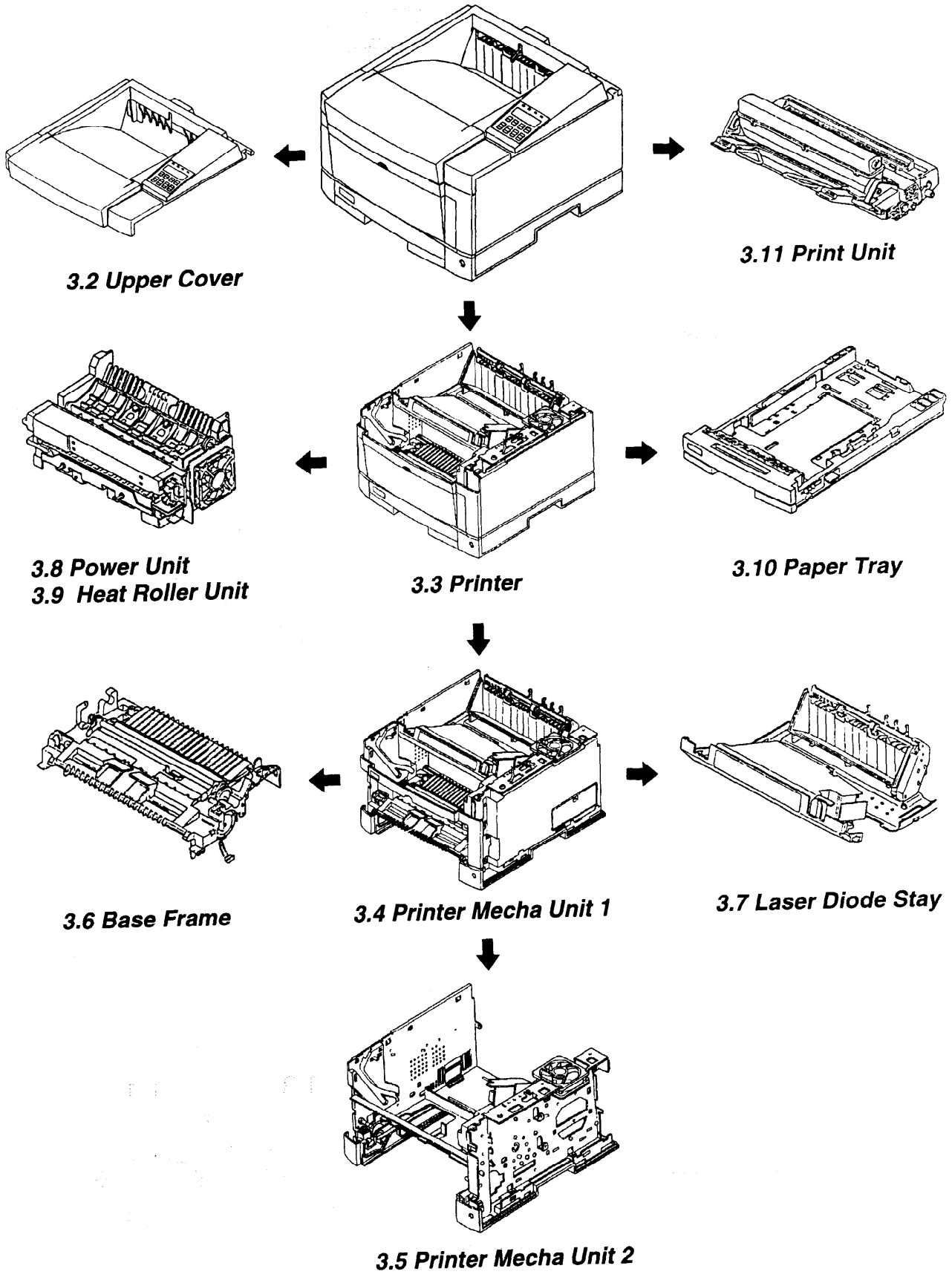
No.	Specificatins	Logo	PP12V		Remarks
			120	220-240	
1	CA04291-B300	PrintPartner 12V	<input type="radio"/>		N-AMERICA LETTER
2	CA04291-B301	PrintPartner 12V	<input type="radio"/>		FCI LETTER
3	CA04291-B302	PrintPartner 12V	<input type="radio"/>		FCPA LETTER
4	CA04291-B303	PrintPartner 12V	<input type="radio"/>		ASIA A4
5	CA04291-B350	PrintPartner 12V		<input type="radio"/>	EUROPE A4+MANUAL
6	CA04291-B351	PrintPartner 12V		<input type="radio"/>	FAL A4
7	CA04291-B352	PrintPartner 12V		<input type="radio"/>	ASIA A4
8	CA04291-B353	PrintPartner 12V		<input type="radio"/>	EUROPE (*) A4
9	CA04291-B360	—		<input type="radio"/>	NO BRAND A4
10	CA04291-B354	PrintPartner 12V		<input type="radio"/>	EUROPE DROP-SHIP
11					
12					
13					
14					
15					
16					
17					
18					
19					
20					

\* The user's manual and power cord are not packed with the printer.

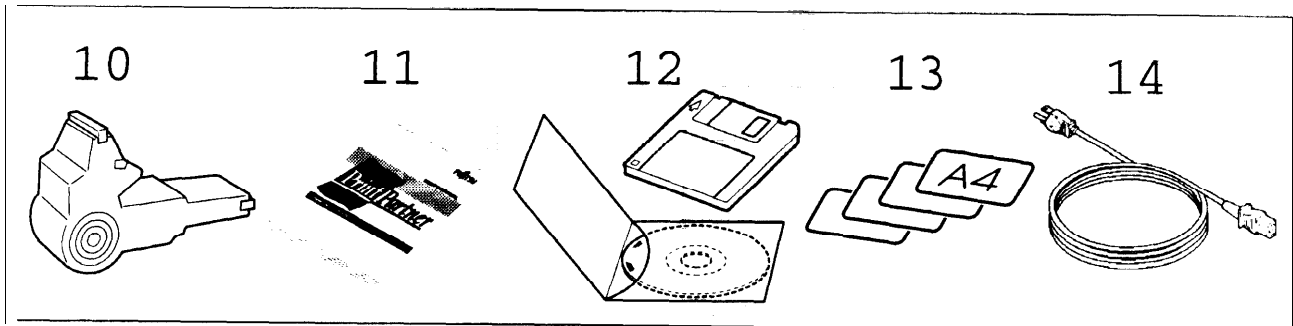
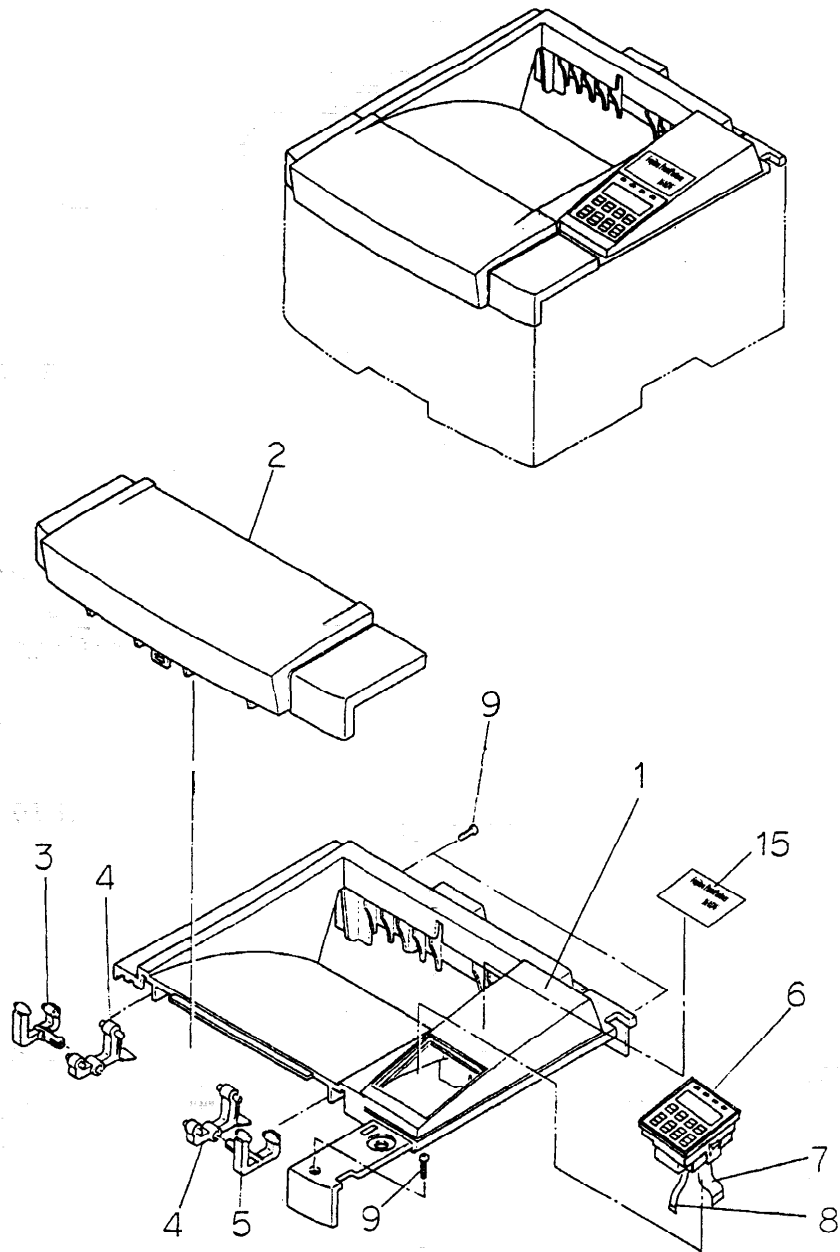
They are attached at the sales companies.

# 3.PARTS LIST AND PARTS DRAWING OF PRINTER MECHANISM

## 3.1 Visual Index of Parts



### 3.2 Upper Cover

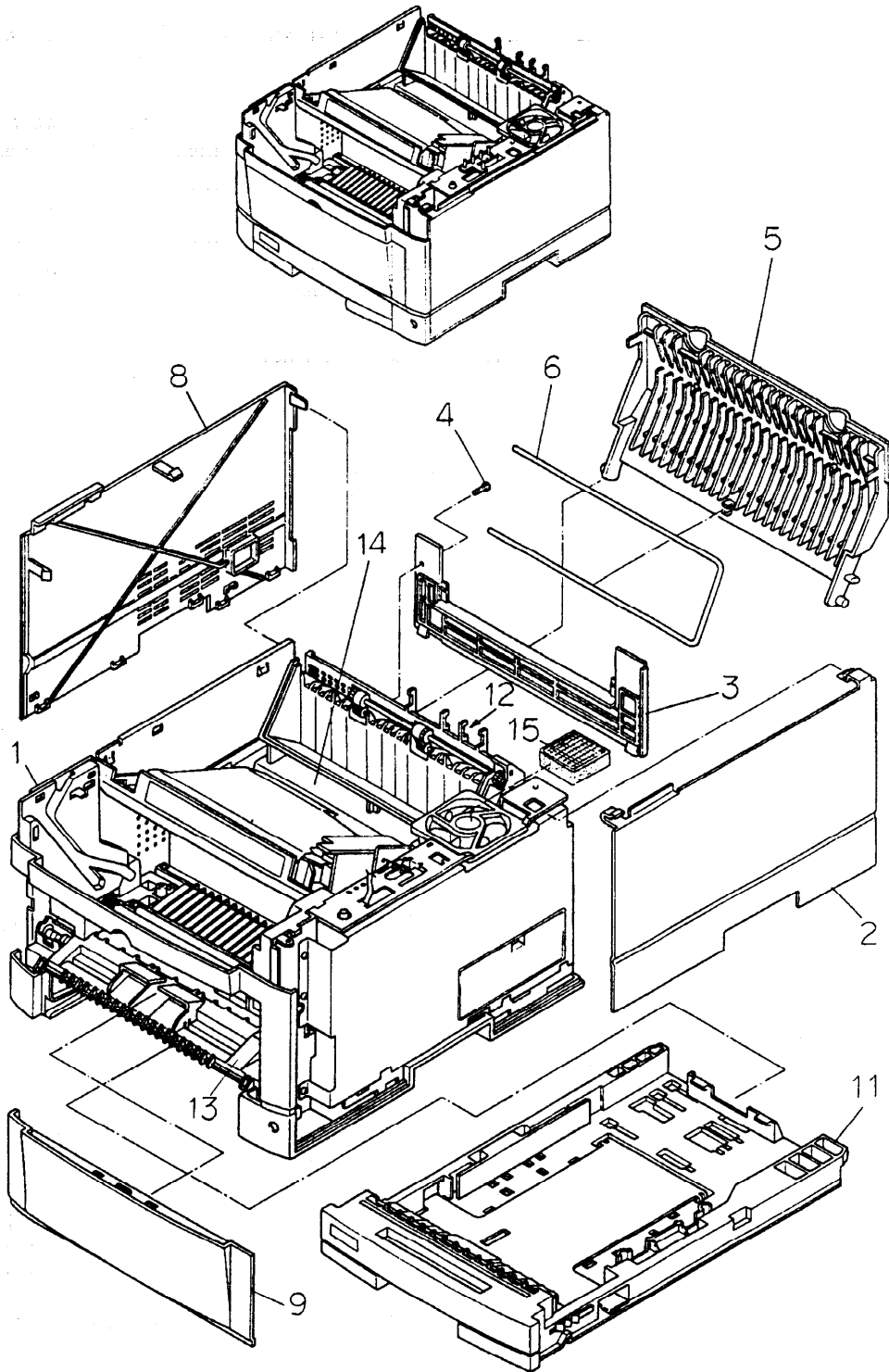




### 3.2 Upper Cover

Index No.	Composition & Quantity				S P	Specification	Parts name (Description)	PP12V		Remarks
								120	220~240	
	1					CA04291-B300	PP12V (CENTRO-120V)	○		N-AMERICA
	1					CA04291-B301	PP12V (CENTRO-120V)	○		FCI
	1					CA04291-B302	PP12V (CENTRO-120V)	○		FCPA
	1					CA04291-B303	PP12V (CENTRO-120V)	○		ASIA
	1					CA04291-B350	PP12V(CENTRO-220~240V)	○	○	EUROPE
	1					CA04291-B351	PP12V(CENTRO-220~240V)	○	○	FAL
	1					CA04291-B352	PP12V(CENTRO-220~240V)	○	○	ASIA
	1					CA04291-B353	PP12V(CENTRO-220~240V)	○	○	EUROPE
	1					CA04291-B360	PP12V(CENTRO-220~240V)	○	○	NO-BRAND
	1					CA04291-B354	PP12V(CENTRO-220~240V)	○	○	EUROPE
1~8		1				CA04040-F550	UPPER COVER ASY	○	○	
1~5			1		*	CA04040-G550	U COVER SUB ASY	○	○	
1				1	@	CA04040-G585	COVER SUB ASY	○	○	
2				1	@	CA02758-G803	UPPER DOOR	○	○	
3				1	@	CA02758-Y805	UD GUIDE L	○	○	
4				2	@	CA02758-Y806	UD GUIDE R	○	○	
5				1	@	CA02758-Y807	UD GUIDE LL	○	○	
6			1		*	CA04040-0574	OP PANEL	○	○	
7			1		@	CA04040-Y564	OP CABLE	○	○	
8			1		@	CA04040-Y573	VOLUME CABLE	○	○	
9			3		@	F6-SBD3-06121	SCREW	○	○	
		1				CA04291-K300	ACCESSORY	○		N-AMERICA
		1				CA04291-K301	ACCESSORY	○		FCI
		1				CA04291-K302	ACCESSORY	○		FCPA
		1				CA04291-K303	ACCESSORY		○	ASIA
		1				CA04291-K350	ACCESSORY		○	EUROPE
		1				CA04291-K351	ACCESSORY		○	FAL
		1				CA04291-K352	ACCESSORY		○	ASIA
		1				CA04291-K353	ACCESSORY		○	EUROPE
		1				CA04291-K360	ACCESSORY		○	NO-BRAND
		1				CA04291-K354	ACCESSORY		○	EUROPE
10		1			@	CA02758-G461	CL BLUSH ASY	○	○	
11		1				C145-E228-01EN	USER'S MANUAL	○	○	
12		1			@	CA40782-E910	SOFTWARE SET	○	○	
13		1			@	CA02417-Y720	SIZE LABEL A4	○	○	PAPER TRAY
		1			@	CA02417-Y724	SIZE LABEL LETTER	○	○	PAPER TRAY
		1			@	CA02417-Y725	SIZE LABEL EXECUTIVE	○	○	PAPER TRAY
14		1			@	CA02758-0990	AC CORD SET	○		100-120V
		1			@	CA98001-3771	AC CORD SET (3M)		○	220-240V
		1			@	CA98001-4430	AC CORD SET (2M)		○	220-240V
15		1				CA04291-Y851	LOGO LABEL	○	○	

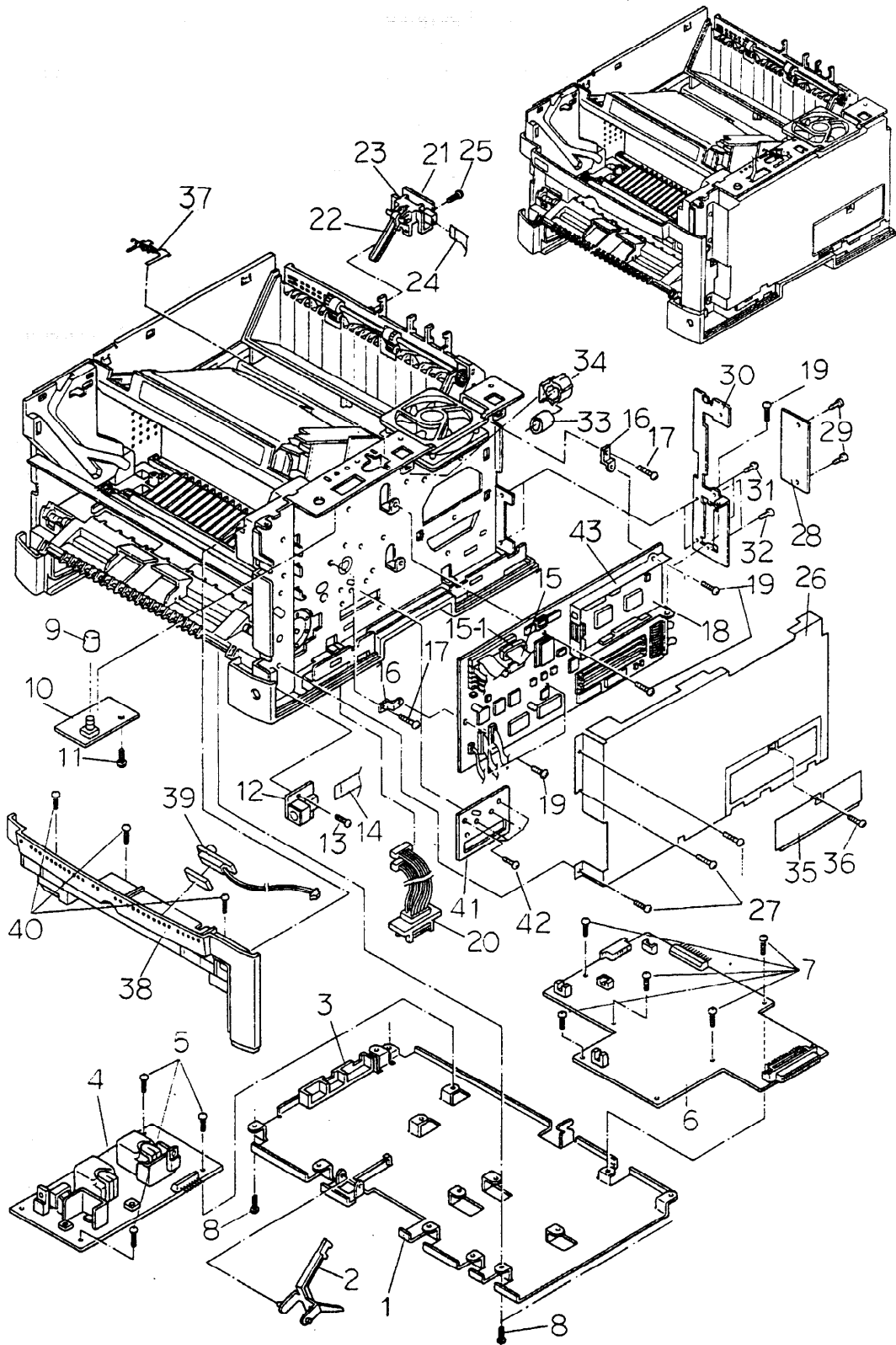
### 3.3 Printer



### 3.3 Printer

	Composition & Quantity			S P	Specification	Parts name (Description)	PP12V		Remarks
							120	220 ~240	
1~14	1				CA04291-C300	PRINTER	○		120V
	1				CA04291-C303	PRINTER	○		120V A4
	1				CA04291-C350	PRINTER		○	220-240V
1	1				CA04291-E300	PRINTER M UNIT	○	○	
2	1			@	CA02758-Y812	SIDE COVER R	○	○	
3	1			@	CA02758-Y814	BACK COVER	○	○	
4	1			@	F6-SBD3-06121	SCREW	○	○	
5~6	1				CA02758-F815	STACKER UNIT	○	○	
5		1		@	CA02758-G818	STACKER ASY	○	○	
6		1		@	CA02758-Y816	REAR GUIDE	○	○	
7									No.7 deleted
8	1			@	CA02758-G811	SIDE COVER L	○	○	
9	1			@	CA02758-Y813	FRONT COVER	○	○	
10									No.10 deleted
11	1				CA02758-F701	PAPER TRAY	○	○	A4
	1				CA02758-F702	PAPER TRAY	○	○	LETTER
12	1				CA04040-F571	POWER UNIT	○		120V
	1				CA04040-F572	POWER UNIT		○	220-240V
13	1				CA04040-F102	BASE FRAME ASY	○	○	
14	1				CA02758-G122	LD STAY ASY	○	○	
	9				F6-SW2N3-08111	SCREW	○	○	
15	1			@	CA02758-0126	OZONE FLITER	○	○	

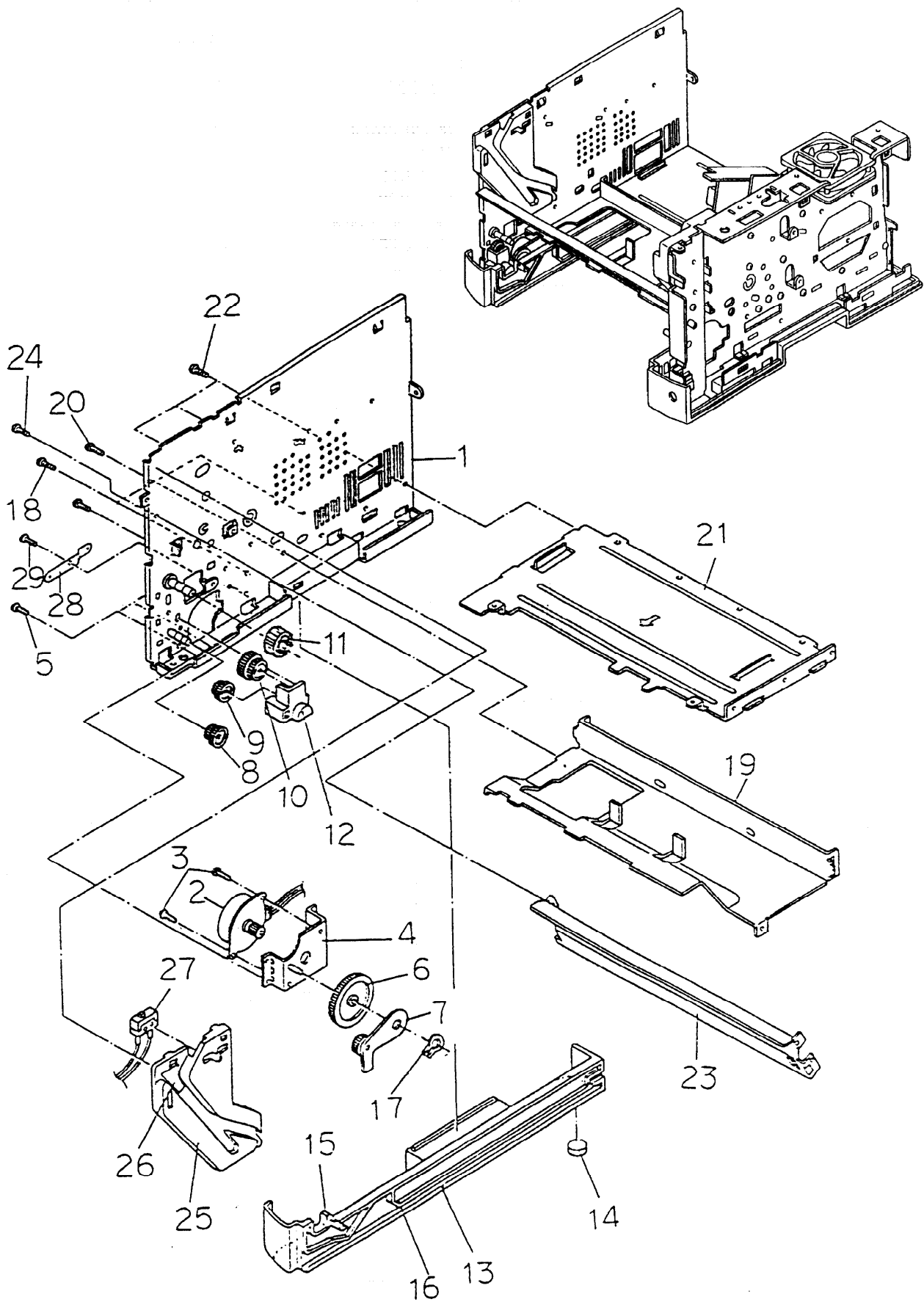
### 3.4 Printer Mecha Unit 1



### 3.4 Printer Mecha Unit 1

	Composition & Quantity			S P	Specification	Parts name (Description)	PP12V		Remarks
							120	220	
1~8	1				CA02758-G143	HV UNIT	○	○	
1		1		@	CA02758-Y145	BOARD COVER	○	○	
2		1		@	CA02758-Y651	SENSOR LEVER 1	○	○	
3		1		@	CA02758-Y144	HV GUIDE	○	○	
4		1		*	CA02951-4292	HV BOARD	○	○	
5		3		@	CA02758-0195	TAPPING SCREW	○	○	
6		1		*	CA02758-G186	MECHA BOARD	○	○	
7		5		@	CA02758-0195	TAPPING SCREW	○	○	
8	4			@	F6-SW2N3-08111	SCREW	○	○	
9	1			@	D860-1173-X826	KNOB	○	○	
10	1			*	CA04040-G572	VOLUME BOARD	○	○	
11	2			@	CA02758-0195	TAPPING SCREW	○	○	
12	1			*	CA02758-G181	MFF BOARD	○	○	
13	1			@	CA02758-0195	TAPPING SCREW	○	○	
14	1			@	CA04040-Y568	MFF CABLE	○	○	
15	1			@	CA02758-Y122	LD CABLE	○	○	
15-1	2			@	CA98001-8943	FELIGHT CORE	○	○	
16	3			@	CA04040-Y556	METAL FITTING	○	○	
17	3			@	F6-SW2N3-06121	SCREW	○	○	
18	1			*	CA04291-J300	ROM BOARD (PC BOARD)	○	○	
19	5			@	F6-SW2N3-08121	SCREW	○	○	
20	1			@	CA04040-F569	CABLE ASY	○	○	
21~	1			*	CA02758-F696	SFS ASY	○	○	
21		1			CA02758-G696	SFS BOARD ASY	○	○	
22		1			CA02758-Y696	SFS LEVER	○	○	
23		1			CA02758-Y697	SFS COVER	○	○	
24	1			@	CA02758-Y698	SFS CABLE	○	○	
25	1			@	F6-SN2TP3-06	TAPPING SCREW	○	○	
26	1			@	CA04040-G613	SHIELD ASY	○	○	
27	3			@	F6-SW2N3-08111	SCREW	○	○	
28	1			@	CA04040-Y552	SHADE PLATE B	○	○	
29	2			@	F6-SBD3-06121	SCREW	○	○	
30	1			@	CA04040-G618	BACK COVER ASY	○	○	
31	2			@	F6-SBD3-06121	SCREW	○	○	
32	2			@	F6-SW2N3-06121	SCREW	○	○	
33	1			@	F3RH11.8-15-7.3	FELIGHT CORE(FERRICO)	○	○	
34	1			@	CA98001-0829	CABLE CLAMP	○	○	
35	1			@	CA04040-Y615	SIMM COVER 3	○	○	
36	1			@	F6-SW2N3-06121	SCREW	○	○	
37	1			@	CA04040-Y580	FG SPRING PLATE	○	○	
38~	1			@	CA02758-G817	FRONT FRAME ASY	○	○	
38		1			CA02758-Y817	FRONT FRAME	○	○	
39		1		@	CA02758-G360	TS ASY	○	○	
40	2			@	F6-SN2TP3-06	TAPPING SCREW	○	○	
41		1			CA02758-Y024	RF PLATE	○	○	
42		1			CA02758-0196	TAPPING SCREW	○	○	
43	1				CA02946-G152	GUIDE PLATE ASY	○	○	

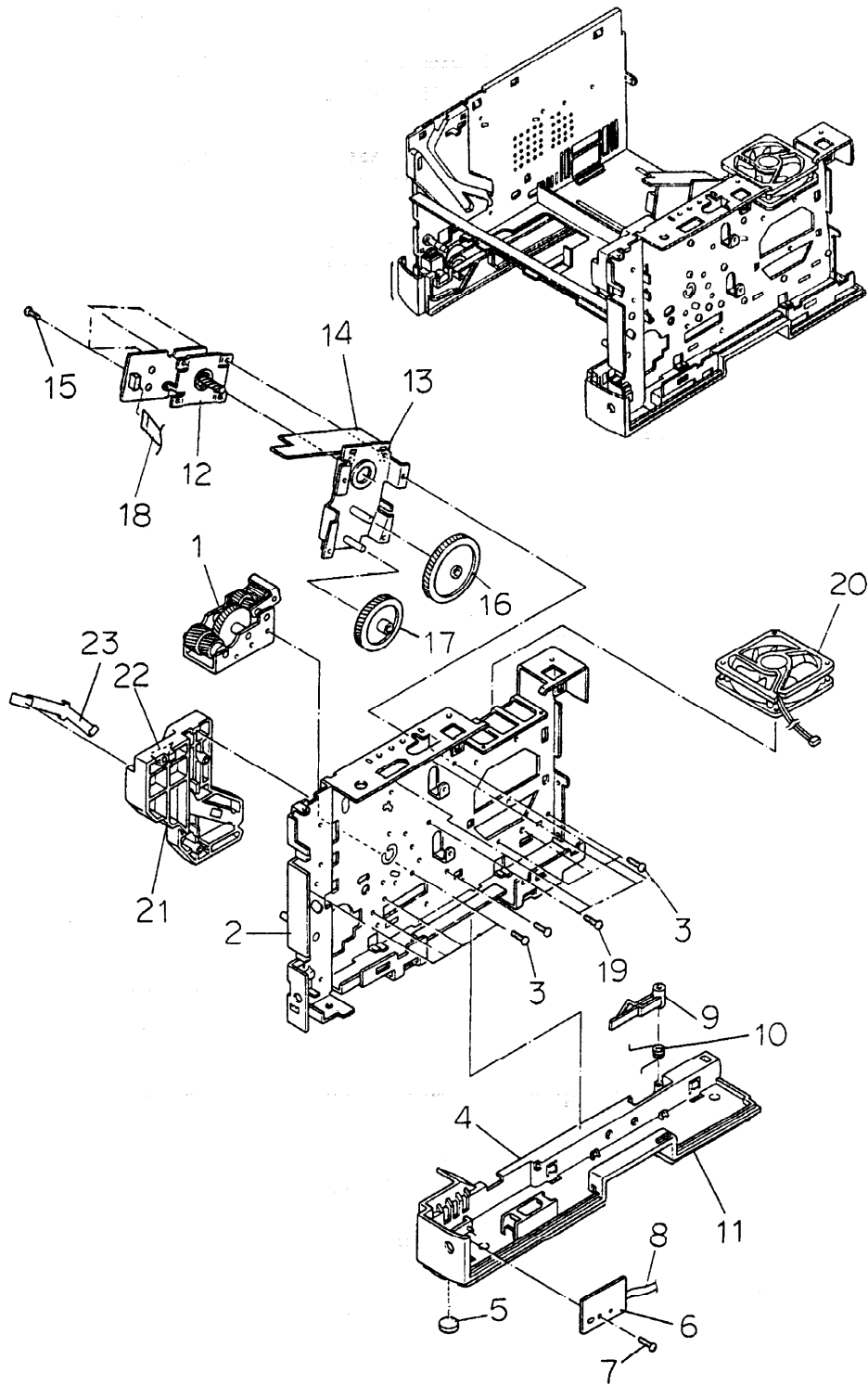
### 3.5 Printer Mecha Unit 2-1



### 3.5 Printer Mecha Unit 2-1

	Composition & Quantity				S P	Specification	Parts name (Description)	PP12V		Remarks
								120	220	
								~240		
1~ 17	1					CA02758-F114	FRAME L ASY	○	○	
1		1				CA02758-G111	FRAME L SUB ASY	○	○	
2~ 4		1				CA04291-F201	P MOTOR ASY	○	○	
2			1	*		CA02758-0201	PICK MOTOR	○	○	
3			2	@		F6-SW2N3-08111	SCREW	○	○	
4			1			CA02758-G202	PM BRACKET ASY	○	○	
5		3				CA02758-0198	TAPPING SCREW	○	○	
6		1		@		CA02758-Y204	GEAR P	○	○	
7		1		@		CA02758-G211	MFF GEAR A ASY	○	○	
8		1				CA02758-Y212	MFF GEAR B	○	○	
9		1				CA02758-Y213	MFF GEAR C	○	○	
10		1				CA02758-Y214	MFF GEAR D	○	○	
11		1				CA02758-Y215	MFF GEAR E	○	○	
12		1				CA02758-Y209	MFF GEAR BRACKET	○	○	
13~ 16		1		@		CA02758-G821	PT GUIDE L ASY	○	○	
13			1			CA02758-Y821	PT GUIDE L	○	○	
14			1	@		CA02758-Y825	RUBBER FOOT	○	○	
15			1			CA02758-Y216	MFF RUBBER	○	○	
16			1			CA02758-Z821	PTGR DUMPER	○	○	
17		1		@		F6-ER4-S	SNAP RING	○	○	
18		2				F6-SN2TP4-10	TAPPING SCREW	○	○	
19		1				CA02758-Y105	L TYPE STAY	○	○	
20		3				F6-SW2N3-08111	SCREW	○	○	
21		1				CA02758-Y106	LOWER STAY	○	○	
22		3				F6-SW2N3-08111	SCREW	○	○	
23		1				CA02758-Y104	STAY F	○	○	
24		2				CA02758-0195	TAPPING SCREW	○	○	
25~ 27		1				CA02758-G119	PR GUIDE L ASY	○	○	
25			1			CA02758-Y114	PR GUIDE L	○	○	
26			1			CA02758-Z114	PRGL LABEL	○	○	
27			1	*		CA02758-G127	COVER OPEN SW	○	○	
28		1		@		CA02758-Y606	FG PLATE P	○	○	
29		1		@		CA02758-0195	TAPPING SCREW	○	○	

### 3.5 Printer Mecha Unit 2-2

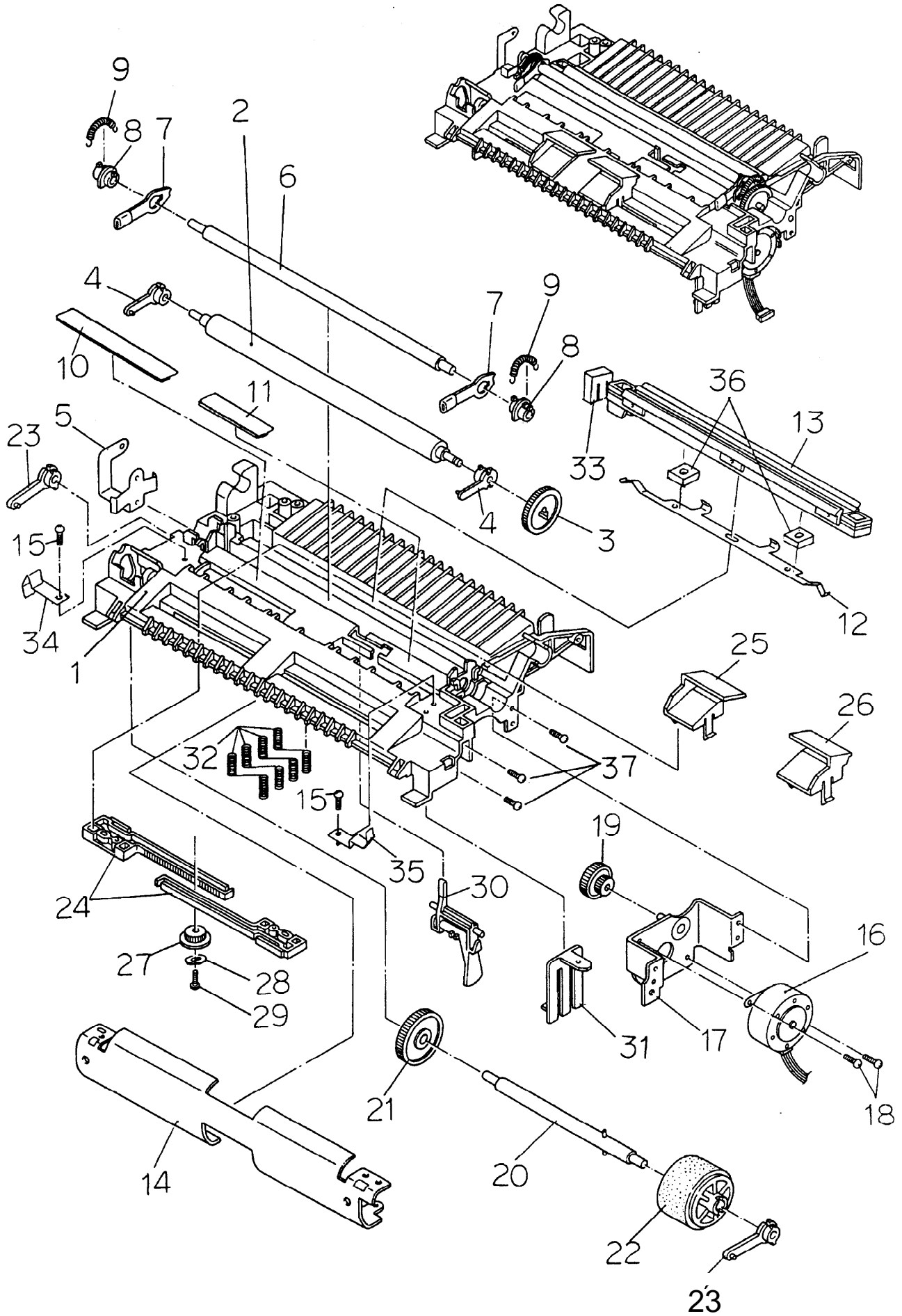




### 3.5 Printer Mecha Unit 2-2

	Composition & Quantity				S P	Specification	Parts name (Description)	PP12V		Remarks
								120	220	
								~240		
1	1				CA02758-G261	GEAR BOX ASY	○	○		
2	1				CA02758-G112	FRAME R SUB ASY	○	○		
3	8				CA02758-0195	TAPPING SCREW	○	○		
4~	1			*	CA02758-G823	PT GUIDE R ASYL	○	○		
4		1			CA02758-Y823	PT GUIDE R	○	○		
5		1		@	CA02758-Y825	RUBBER FOOT	○	○		
6		1		*	CA02758-G182	PSS BOARD	○	○		
7		1		@	F6-SN2TP3-08	TAPPING SCREW	○	○		
8		1		@	CA02758-Y164	PSS CABLE	○	○		
9		1		@	CA02758-Y727	PT LOCK LEVER	○	○		
10		1		@	CA02758-Y728	PT LOCK SPRING	○	○		
11		1			CA02758-Z823	PTGL DUMPER	○	○		
12~	1				CA02758-F252	M MOTOR ASY	○	○		
12		1		*	CA02758-0251	MAIN MOTOR	○	○		
13		4			CA02758-Y291	DUMPER MM	○	○		
14		1		@	CA02758-G252	MM BRACKET ASY	○	○		
15		4		@	CA02758-0195	TAPPING SCREW	○	○		
16		1		@	CA02758-Y256	GEAR MA	○	○		
17		1		@	CA02758-Y257	GEAR MB	○	○		
18		1		@	CA02758-Y255	MM CABLE	○	○		
19	4			@	CA02758-0195	TAPPING SCREW	○	○		
20	1			*	CA02758-0129	FAN	○	○		
21~	1				CA02758-G115	PR GUIDE R ASY	○	○		
21		1			CA02758-Y115	PR GUIDE R	○	○		
22		1			CA02758-Z115	PRGL LABEL	○	○		
23		1		@	CA02758-Y116	DRFG	○	○		

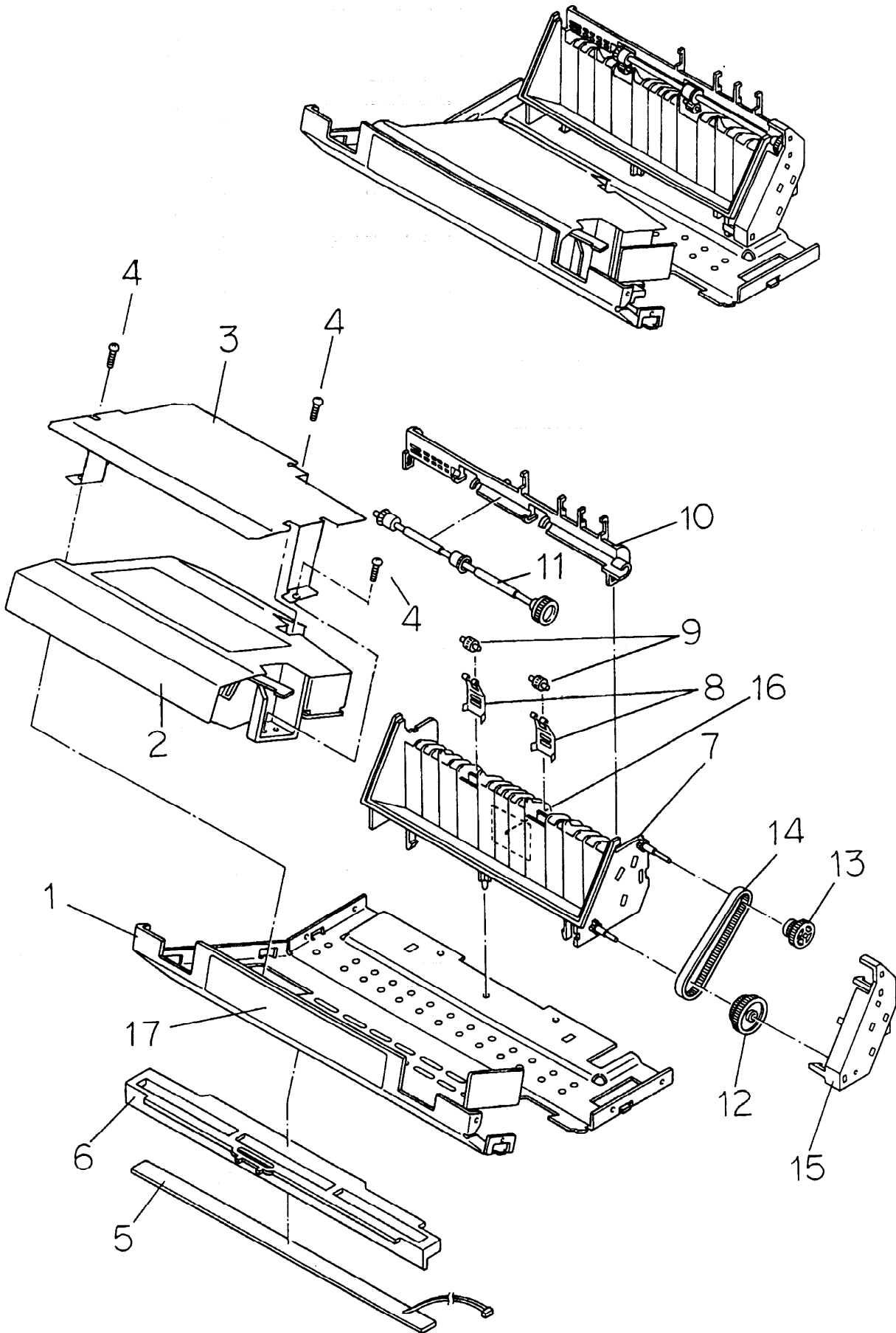
### 3.6 Base Frame



### 3.6 Base Frame

	Composition & Quantity				S P	Specification	Parts name (Description)	PP12V		Remarks
								120	220	
1~ 37	1									
1	1				CA04040-F102	BASE FRAME ASY	○	○		
(2, 3, 10, 11)	1			*	CA02758-G101	BASE FRAME ASY	○	○		
2	1				CA02758-G612	FEED ROLLER ASY	○	○		
3	1			@	CA02758-G611	FEED ROLLER ASY	○	○		
4	1			@	CA02758-Y613	GEAR F	○	○		
5	1			@	CA02758-Y605	BEARING PF	○	○		
6	1			@	CA02758-G615	FG PLATE ASY	○	○		
7	2			@	CA02758-Y621	REGIST ROLLER	○	○		
8	2			@	CA02758-G687	LEVER ASY	○	○		
9	2			@	CA02758-Y623	BEARING R	○	○		
10	1			@	CA02758-Y625	SPRING R	○	○		
11	1			@	CA02758-Z011	SHEET RE1	○	○		
12	1			@	CA02758-Z012	SHEET RE2	○	○		
13	1			@	CA02758-Y458	FG PLATE T	○	○		
14	1			*	CA02758-F474	TRCG UNIT	○	○		
15	2				CA04040-G690	PAPER GUIDE F ASY	○	○		
					CA02758-0195	TAPPING SCREW	○	○		
16~ 19	1				CA02758-F221	R MOTOR ASY	○	○		
16		1		@	CA04040-0201	REGIST MOTOR	○	○		
17		1			CA02758-G222	RM BRACKET ASY	○	○		
18		2		@	F6-SW2N3-08111	SCREW	○	○		
19		1			CA02758-Y224	GEAR R	○	○		
20	1			@	CA02758-G604	SHAFT P ASY	○	○		
21	1			@	CA02758-0603	PICK GEAR	○	○		
22	1			*	CA02758-G602	ROLLER P ASY	○	○		
23	2			@	CA02758-Y605	BEARING PF	○	○		
24	1			@	CA02758-Y642	RACK	○	○		
25	1			@	CA02758-Y643	GUIDE FL	○	○		
26	1			@	CA02758-Y644	GUIDE FR	○	○		
27	1			@	CA02758-Y641	PINION	○	○		
28	1			@	F6-WM3-111	WASHER	○	○		
29	1			@	F6-SN2TP3-06	TAPPING SCREW	○	○		
30	1			@	CA02758-Y654	SENSOR LEVER 4	○	○		
31	1			@	CA02758-Y729	TRIDENT LEVER	○	○		
32	1				CA02758-Y152	SPRING HV1	○	○		
	1				CA02758-Y153	SPRING HV2	○	○		
	2				CA02758-Y154	SPRING HV3	○	○		
	1				CA02758-Y155	SPRING HV4	○	○		
33	1			@	CA02758-Y025	TRCG STOPPER	○	○		
34	1				CA02758-Y193	P GUIDE FG L	○	○		
35	1				CA02758-Y194	P GUIDE FG R	○	○		
36	2			@	CA02758-Y477	TRCG STOPPER	○	○		
37	3				CA02758-0195	TAPPING SCREW	○	○		

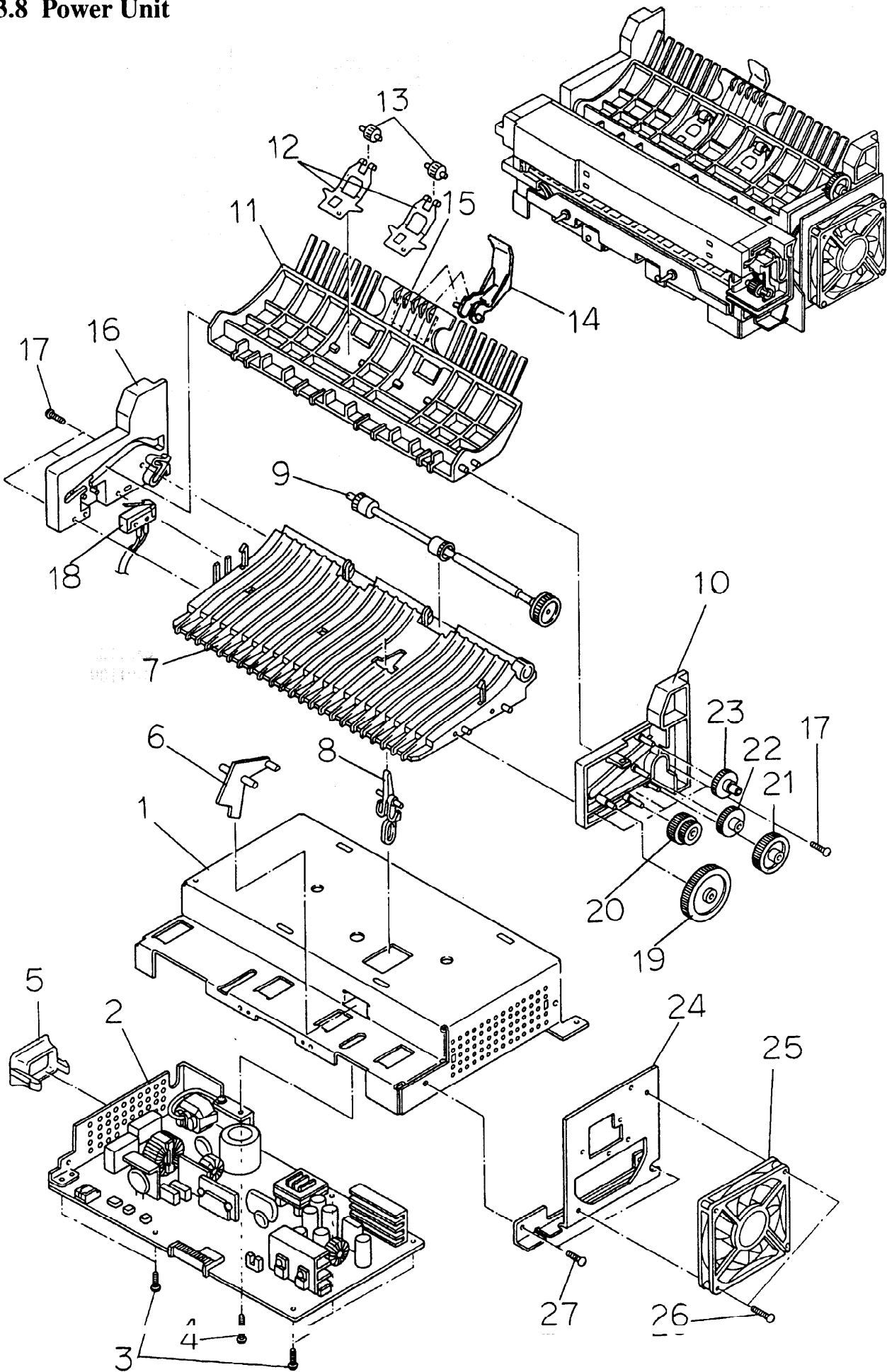
### 3.7 Laser Diode Stay



### 3.7 Laser Diode Stay

	Composition & Quantity			S P	Specification	Parts name (Description)	PP12V		Remarks
							120	220	
1~ 17	1				CA02758-G122	LD STAY ASY	○	○	
1		1			CA02758-Y121	LD STAY	○	○	
2		1		*	CA04280-E001	OPTICAL UNIT	○	○	
3		1		@	CA02758-Y063	LD FG COVER	○	○	
4		3		@	F6-SW2N3-08111	SCREW	○	○	
5~ 6		1		@	CA02758-G123	DCH LED UNIT	○	○	
5			1		CA02758-0123	DCH LED	○	○	
6			1		CA02758-Y124	LED HOLDER	○	○	
7~ 16		1		*	CA02758-F680	FRAME 2 ASY	○	○	
7			1		CA02758-Y680	PAPER FRAME 2	○	○	
8~ 9			2		CA02758-G683	FEED A ASY	○	○	
8				1	CA02758-Y683	FEED SPRING A	○	○	
9				1	CA02758-Y673	PINCH ROLLER	○	○	
1					CA02758-F690	GUIDE ASY	○	○	10~ 11
1				@	CA02758-Y690	ROLLER GUIDE	○	○	10
1				@	CA02758-G692	ROLLER ASY	○	○	11
1				@	CA02758-Y684	GEAR 6	○	○	12
1				@	CA02758-G685	GEAR 7 ASY	○	○	13
1				@	CA98001-5552	TIMING BELT	○	○	14
1				@	CA02758-Y688	GEAR COVER	○	○	15
1				@	CA02758-Y592	LABEL	○	○	16
1				@	CA02758-Y591	LABEL	○	○	17

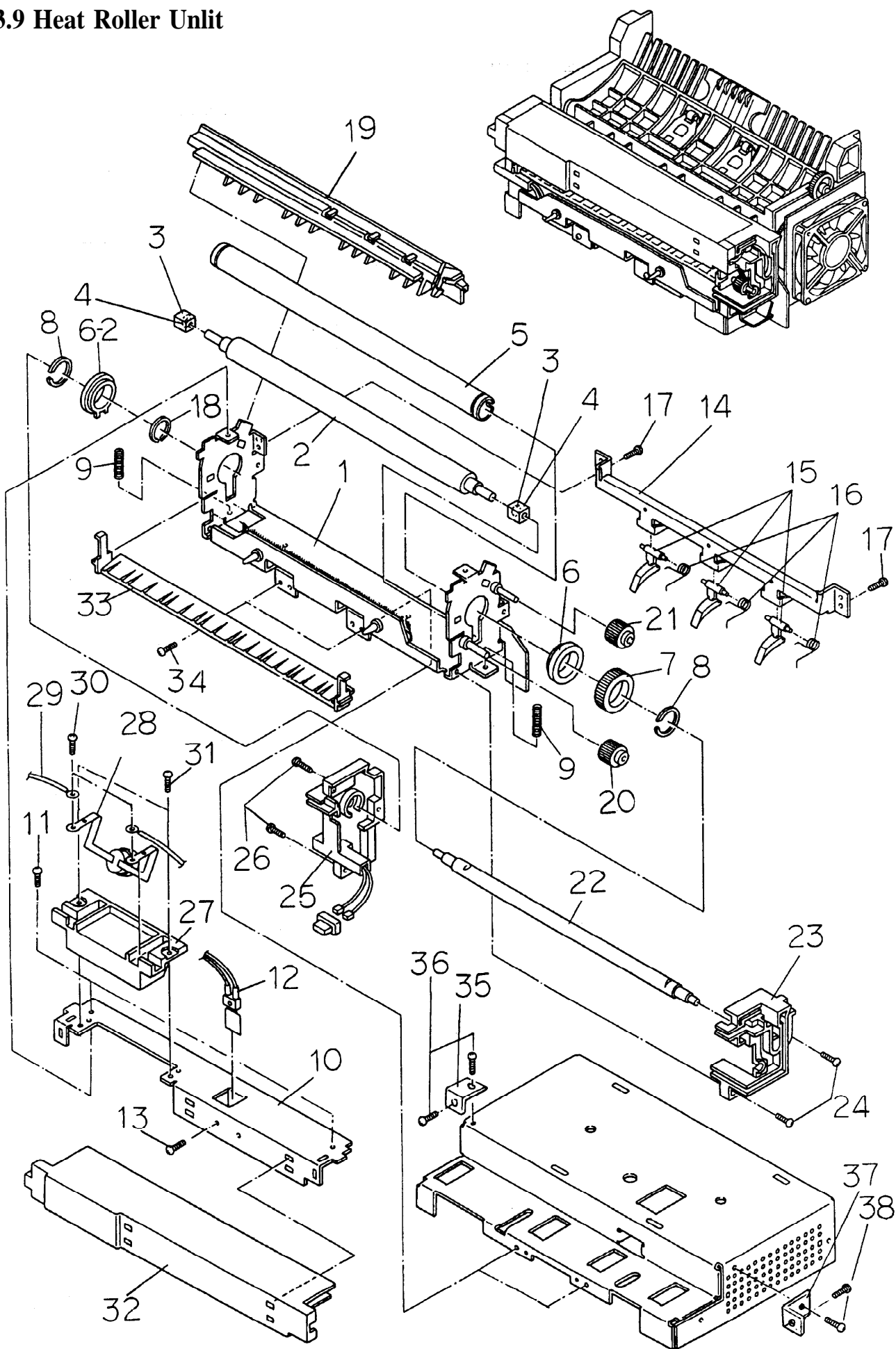
### 3.8 Power Unit



### 3.8 Power Unit

	Composition & Quantity				S P	Specification	Parts name (Description)	PP12V		Remarks
								120	220 ~240	
1~ 27	1					CA04040-F571	POWER UNIT	○		120V
	1					CA04040-F572	POWER UNIT		○	220-240V
1		1				CA02758-G135	PB COVER ASY	○	○	
2		1			*	CA02951-4260	POWER BOARD	○		120V
		1			*	CA02951-4265	POWER BOARD		○	220-240V
3		5			@	CA02758-0197	TAPPING SCREW	○	○	
4		1			@	F6-SW2N3-06121	SCREW	○	○	
5		1			@	CA02758-Y137	SWITCH COVER	○	○	
6		1				CA02758-Y655	SENSOR LEVER 5	○	○	
7~ 18		1				CA02758-F675	PAPER FRAME ASY	○	○	
7			1			CA02758-Y675	PAPER FRAME 1	○	○	
8			1			CA02758-Y679	SENSOR LEVER 6	○	○	
9			1			CA02758-G692	ROLLER ASY	○	○	
10			1			CA02758-Y676	SIDE FRAME LP	○	○	
11~ 15			1		@	CA02758-F670	PAPER GUIDE ASY	○	○	
11				1		CA02758-Y670	PAPER GUIDE	○	○	
12~ 13				2		CA02758-G672	FEED 1 ASY	○	○	
12					1 @	CA02758-Y672	FEED SPRING 1	○	○	
13					1 @	CA02758-Y673	PINCH ROLLER	○	○	
14				1		CA02758-Z671	STACK LEVER	○	○	
15				1	@	CA02758-Y671	P LABEL	○	○	
16		1				CA02758-Y677	SIDE FRAME RP	○	○	
17		6				F6-SN2TP3-08	TAPPING SCREW	○	○	
18		1				CA02758-G678	SWITCH ASY	○	○	
19		1			@	CA02758-Y661	GEAR 1	○	○	
20		3			@	CA02758-Y662	GEAR 2	○	○	
21		1			@	CA02758-Y663	GEAR 3	○	○	
22		1			@	CA02758-Y664	GEAR 4	○	○	
23		1			@	CA02758-Y665	GEAR 5	○	○	
24		1			@	CA02758-Y668	FAN BRACKET	○	○	
25		1			*	CA02758-G128	FAN ASY	○	○	
26		2			@	F6-SW2N3-20111	SCREW	○	○	
27		2			@	CA02758-0195	TAPPING SCREW	○	○	

### 3.9 Heat Roller Unlit

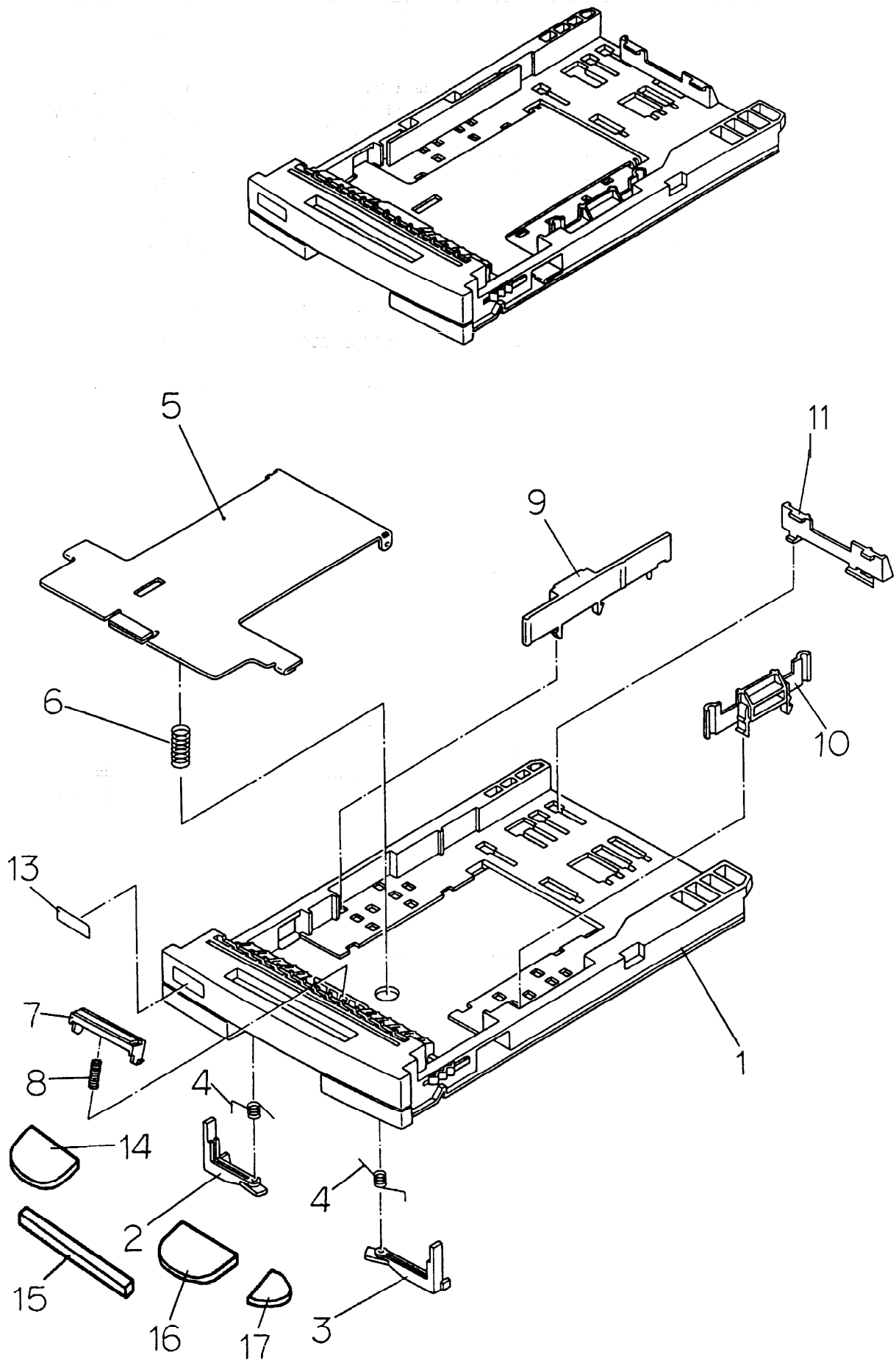




### 3.9 Heat Roller Unit

	Composition & Quantity				S P	Specification	Parts name (Description)	PP12V		Remarks
								120	220	
1~ 38	1					CA02758-F511	HR UNIT	○		120V
	1					CA02758-F512	HR UNIT		○	220-240V
1~ 26		1				CA02758-G504	HR SUB UNIT	○		120V
		1				CA02758-G505	HR SUB UNIT		○	220-240V
1~ 18			1			CA02758-G514	HR BASE UNIT	○	○	
1				1		CA02758-G519	HR FRAME ASY 1	○	○	
2				1		CA04040-G515	BU ROLLER ASY	○	○	
3				2		CA02758-Z531	BEARING BR	○	○	
4				2		CA02758-6511	BEARING	○	○	
5				1		CA04040-G512	HEAT ROLLER	○	○	
6				1		CA02758-Y542	HR BEARING	○	○	
6-2				1		CA02758-G532	HR BEARING ASY	○	○	
7				1		CA02758-Y533	GEAR HR	○	○	
8				2		CA02758-Y535	RING HR	○	○	
9				2		CA02758-Y544	SPRING BR	○	○	
10				1		CA02758-Y541	HR FRAME U	○	○	
11				2		CA02758-0195	TAPPING SCREW	○	○	
12				1		CA02758-0543	THERMISTOR ASY	○	○	
13				1		CA02758-0199	TAPPING SCREW	○	○	
14~ 16				1		CA02758-G563	SEPARATOR ASY	○	○	
14					1	CA02758-Y563	PLATE SP	○	○	
15					5	CA02758-Y561	SEPARATOR	○	○	
16					5	CA02758-Y562	SPRING SP	○	○	
17				2		CA02758-0195	TAPPING SCREW	○	○	
18				1		CA04040-Y678	INSULATOR	○	○	
19			1			CA02758-Y571	HR COVER R	○	○	
20			1			CA02758-Y538	GEAR HG1	○	○	
21			1			CA02758-Y539	GEAR HG2	○	○	
22			1			CA02758-0511	HALOGEN LAMP	○		120V
			1			CA02758-0512	HALOGEN LAMP		○	220-240V
23			1			CA02758-Y577	HR COVER SR	○	○	
24			2			CA02758-0195	TAPPING SCREW	○	○	
25			1			CA02758-G570	COVER SL ASY	○	○	
26			2			CA02758-0195	TAPPING SCREW	○	○	
27~ 28		1				CA02758-G581	TH HOLDER ASY	○	○	
27			1			CA02758-Y581	HOLDER	○	○	
28			1			CA02758-0582	THERMOSTAT ASY	○	○	
29		1				CA02758-0584	HR CABLE ASY	○	○	
30		2				F6-SW2N3-06121	SCREW	○	○	
31		2				CA02758-0195	TAPPING SCREW	○	○	
32		1			@	CA02758-G579	HR COVER F ASY	○	○	
33		1			@	CA98001-5557	CONNECTOR	○	○	
34		1			@	CA02758-Y573-TK	PAPER GUIDE HR	○	○	
35	1					CA02758-Z525	PLATE L	○	○	
36	2					CA02758-0195	TAPPING SCREW	○	○	
37	1					CA02758-Z526	PLATE R	○	○	
38	2					CA02758-0195	TAPPING SCREW	○	○	

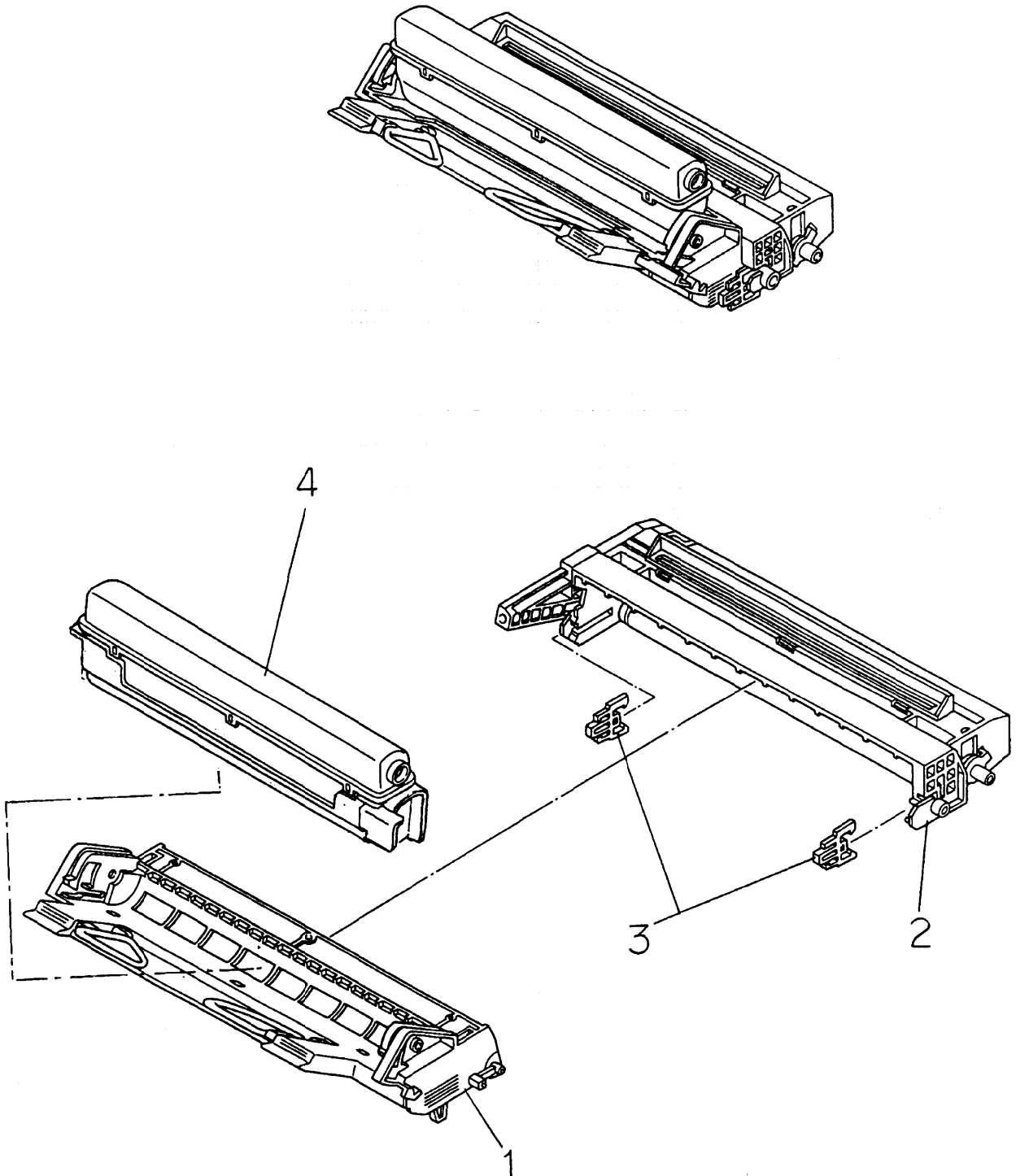
### 3.10 Paper Tray



### 3.10 Paper Tray

	Composition & Quantity				S P	Specification	Parts name (Description)	PP12V		Remarks
								120	220	
1~ 13	1					CA02758-F701	PAPER TRAY	○	○	A4 LETTER
	1					CA02758-F702	PAPER TRAY	○	○	
1 ~ 8		1				CA02758-G701	PT SUB ASY	○	○	
1			1			CA02758-Y701	PAPER TRAY	○	○	
2			1		@	CA02758-Y716	PLATE HOLDER L	○	○	
3			1		@	CA02758-Y717	PLATE HOLDER R	○	○	
4			2		@	CA02758-Y718	PH SPRING	○	○	
5			1		@	CA02758-G714	P PLATE ASY	○	○	
6			1		@	CA02758-Y715	PP SPRING	○	○	
7			1		*	CA02758-G721	SEPARATOR ASY	○	○	
8			1		@	CA02417-Y708	HOLDER SPRING	○	○	
9		1			@	CA02758-Y711	GUIDE L	○	○	
10		1			@	CA02758-Y712	GUIDE R	○	○	
11		1			@	CA02758-Y713	GUIDE E	○	○	
12		1			@	CA02758-Y719	P SIZE LEVER	○	○	
13		1			@	CA02417-Y720	SIZE LABEL	○	○	
		1			@	CA02417-Y724	SIZE LABEL	○	○	
14		1			@	CA02758-Z801	SOUND PROOF MATERIAL	○	○	
15		1			@	CA02758-Z802	SOUND PROOF MATERIAL	○	○	
16		1			@	CA02758-Z803	SOUND PROOF MATERIAL	○	○	
17		1			@	CA02758-Z804	SOUND PROOF MATERIAL	○	○	

### 3.11 Print Unit



### 3.11 Print Unit

	Composition & Quantity				S P	Specification	Parts name (Description)	PP12V		Remarks
								120	220	
1 ~ 3	1					CA04040-E671	PRINT UNIT	○	○	
1		1				CA02758-F315	DEV. UNIT	○	○	
2		1				CA02758-F400	DRUM UNIT	○	○	
3		2				CA02758-G371	P LOCK ASY	○	○	
4	1					CA02758-E300	TONER BOTTLE	○	○	