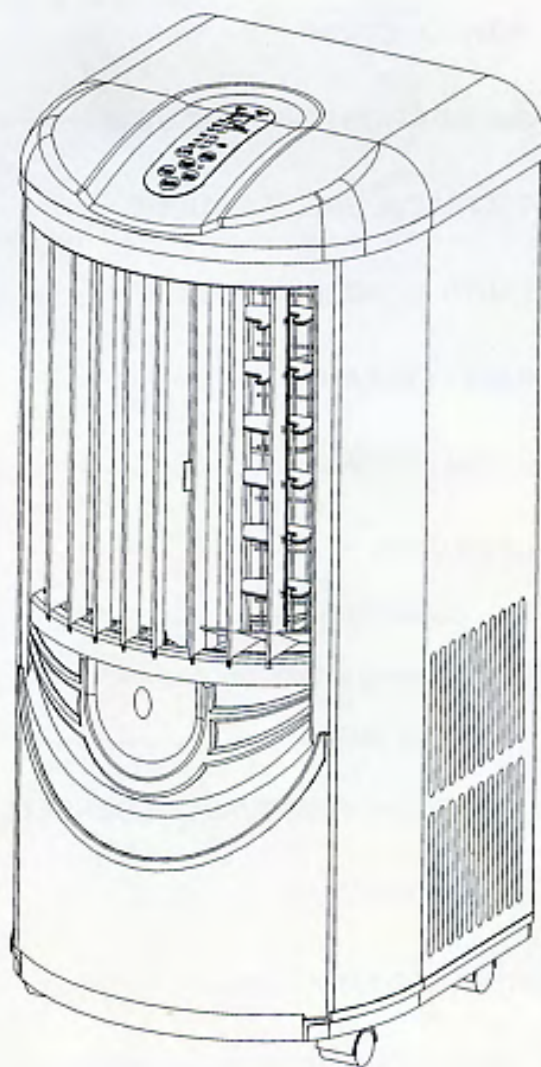


# **INSTRUCTION MANUAL**

**Model: FA-9000**

**Portable  
Air Conditioner/  
With Dehumidifying  
Function**



Cooling Performance Comparable to a 7000 BTU Window Air Conditioner

**Fujitronic Manufacturing Inc.**

# INDEX

***Please read carefully and keep this instruction manual for future reference.***

<b><u>Section</u></b>	<b><u>Page</u></b>
1. BEFORE INITIAL USE	3
2. QUICK STEP TO SET UP YOUR UNIT	4
3. INTRODUCTION	5
4. SUGGESTION FOR YOUR USING	5
5. TECHNICAL SPECIFICATIONS	5
6. PARTS & ACCESSORIES	6
7. SAFETY RULES	7
8. INSTALLATION	8
9. OPERATION	9
9.1. Control Panel	9
9.2. Operating in Cool, Dry, Fan mode	10
9.3. How to set timer	11
10. EMPTY THE RESIDUAL CONDENSATE WATER	12
11. MAINTENANCE	13
12. TROUBLE SHOOTING	14
13. PRODUCT LIMITED WARRANTY	15

**1.**

**BEFORE INITIAL USE**

***Read this entire instrucion manual before use.***

**FOR YOUR OWN REFERENCE:**

Serial No.(underneath Product Label, on back of product): \_\_\_\_\_

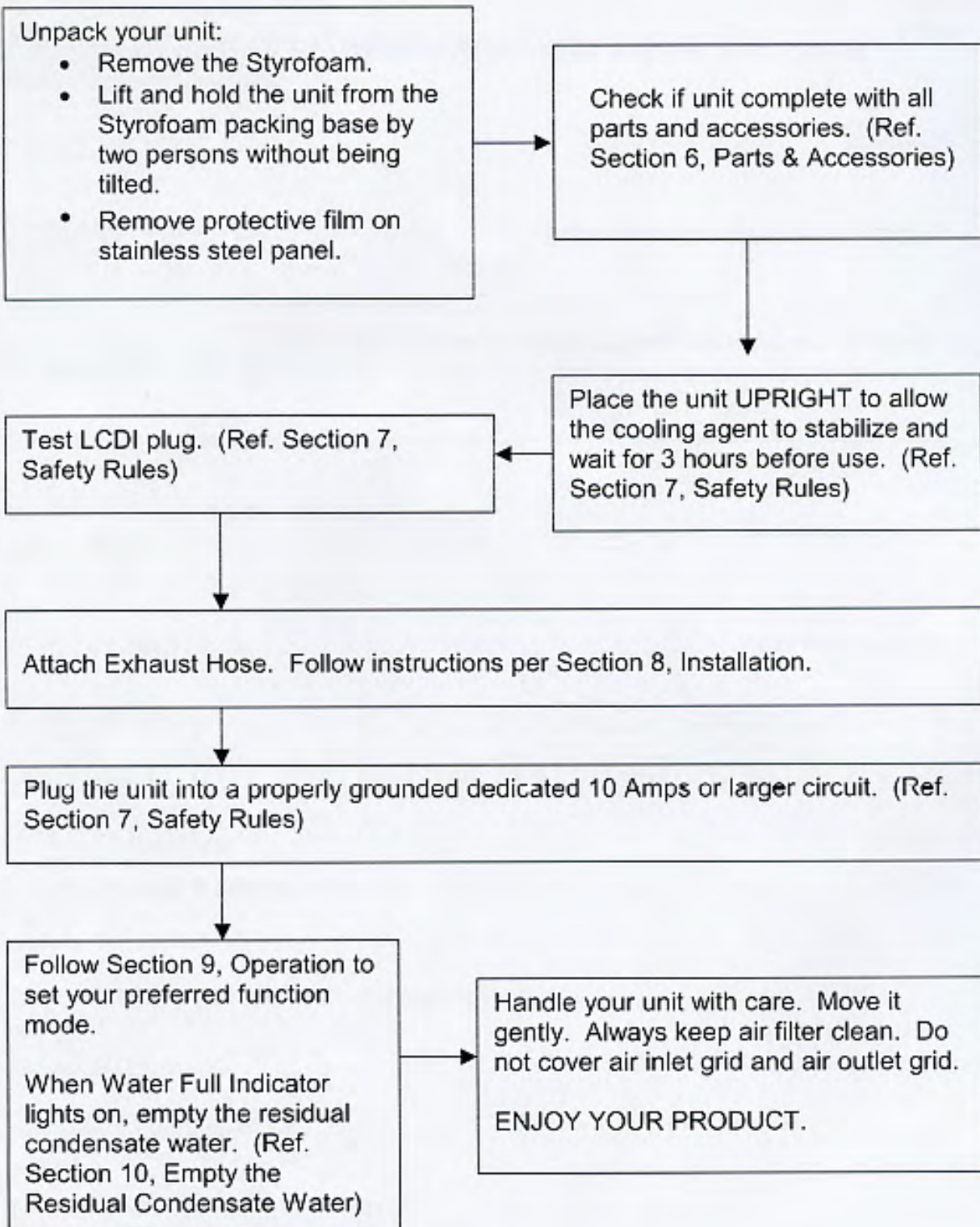
\_\_\_\_\_

\_\_\_\_\_

Date of Purchase: \_\_\_\_\_

## 2.

## QUICK STEP TO SET UP YOUR UNIT



### 3.

## INTRODUCTION

This Portable Air Conditioner is designed for improving living and working comfort by adjusting the temperature and humidity in a room. Its mobility makes it easy to use in various rooms.

To ensure the optimal efficiency of the air conditioner, we advise you to keep doors and windows closed, and to take into account the surface of the walls and windows exposed to the sun. In this case, in order to optimize the functioning of your air conditioner, we recommend partially closing window coverings.

***This unit has a three minutes compressor delay protection circuit.***

### 4.

## SUGGESTION FOR YOUR USING

This unit is designed to be used in the room only, not for outdoor. Do not locate the unit where furniture or other object can obstruct the cooling airflow. Always keep the filter clean. Prevent any kink or bend in the middle of exhaust hose.

The following advice and instructions should be followed closely:

1. Your unit must always be used in an upright position because it contains a cooling agent.
2. After unpacking, place the unit upright to allow the cooling agent to stabilize, and wait 3 hours before use.

### 5.

## TECHNICAL SPECIFICATIONS

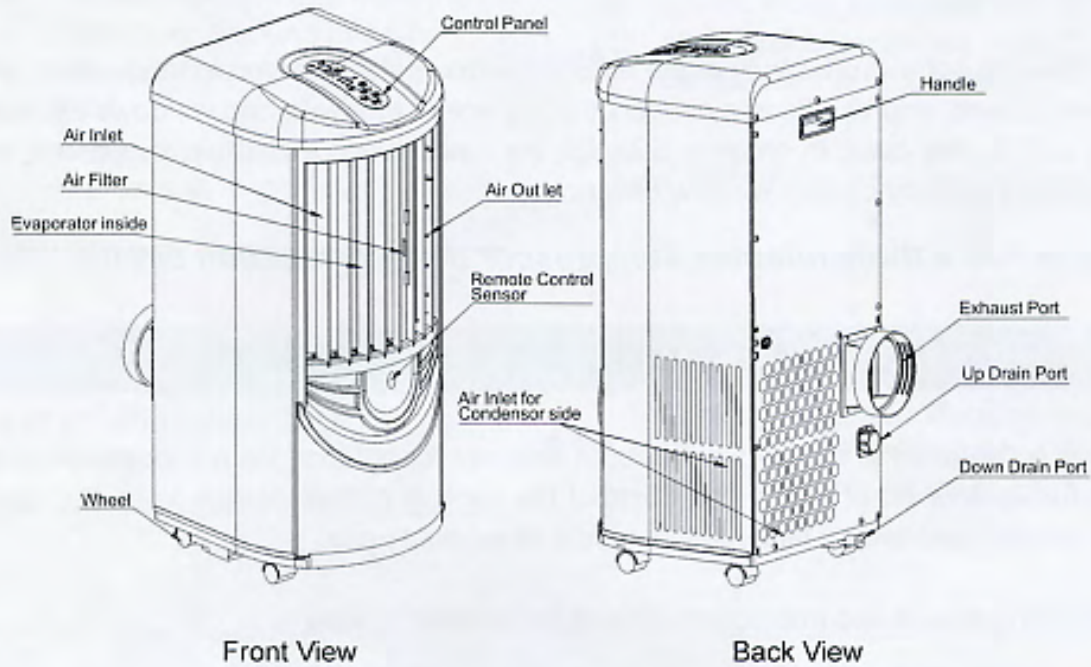
Electrical Power Supply:	115V/60Hz
Cooling Capacity:	9000BTU/Hour
Rated Power Consumption:	920W
Rated Current:	8.2Amp
Refrigerant / Refrigerant charged Qty:	R22/17.6 Oz
Dehumidifying Capacity:	1.5 Pints/ Hour
Airflow Volume:	200/153/129 Cubic Feet/Min
Product Dimension:	14 " (W) x13.8 " (D) x31 " (H)
Product Net Weight:	54.6 lbs
Product Gross Weight:	65.3 lbs
Exhaust Hose Length:	63 " (Max length)
Programming Timer:	24hours

***Test Condition: 95°F / 83° F (Dry Bulb / Wet Bulb)***

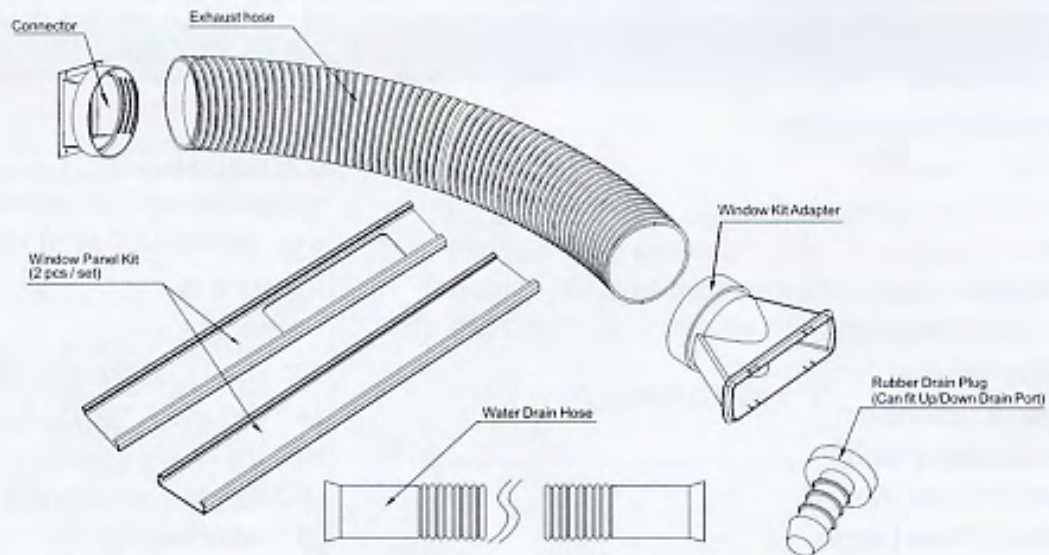
## 6.

## PARTS

Please transport this product in an upright position only, and place the product on an even surface.



## ACCESSORIES



## 7.

## SAFETY RULES

The connection to the main electricity supply must comply with current safety regulations in your country for installation of home appliance.

- 1) Do not damage the power cord.
- 2) Never lay this unit down as it contains cooling agent.
- 3) Be sure that the air inlets and outlets are not blocked or covered up.
- 4) Never place anything on top of the unit.
- 5) No not use this product outdoor.
- 6) Never connect the unit to a defective outlet.
- 7) This unit needs at least 10 Amp of electricity to start it's compressor. Plug the unit into a property grounded dedicated 10 Amp or larger circuit. Check your breaker box to determine which circuit the outlet is on.
- 8) Make sure that the unit is correctly connected before turning on the unit's power.
- 9) Do not unplug the air conditioner while it is working.
- 10) To avoid tripping the circuit, **DO NOT USE AN EXTENSION CORD FOR THIS UNIT.**
- 11) Do not bend or crush the exhaust hose.
- 12) Do not allow children to play near the unit.
- 13) Do not place the power cord under a carpet.
- 14) Keep the area around the exhaust port / exhaust hose sufficiently clean and make sure that is not congested.
- 15) For any repairs, refer directly to our customer service department. Repairs carried out by unqualified people may cause damage or may even be dangerous and void the warranty.

### IT IS STRICTLY FORBIDDEN TO:

- Place objects inside the air outlet or inlet grid.
- Use this unit inside closets, cabinets and/or cramped spaces between furniture.
- Repair, disassemble and/or modify the unit by yourself.
- Block the air outlet and/or inlet grids.
- Use this unit in proximity to inflammable and/or explosive substance.
- Operate this unit without filter.

Before cleaning this unit, make sure that it is unplugged; do not wash the unit with water, gasoline or solvents of any kind.

To avoid the risk of shock, the product never be used in bathrooms, shower rooms, or in any other steamy or wet areas.

Do not use the unit at slope because the unit is supported by four wheels.

In the event of fire, use carbon dioxide(CO<sub>2</sub>) extinguishers. Do not use water or powder extinguishers.

This unit is provided with a Leakage Current Detection and Interruption circuit (LCDI) built into the plug of the power supply cord. This device provides protection to reduce the risk of fire due to arcing faults in the power-supply cord. Before use, follow the "Plug Testing Instructions" to ensure that the (LCDI) circuit is functioning properly:

### PLUG TESTING INSTRUCTIONS:

1. Press Test Button.  
Unit should trip.
2. Press Reset Button  
firmly for use Reset  
Button may require  
pressure to engage.



### DO NOT USE IF ABOVE TEST FAILS

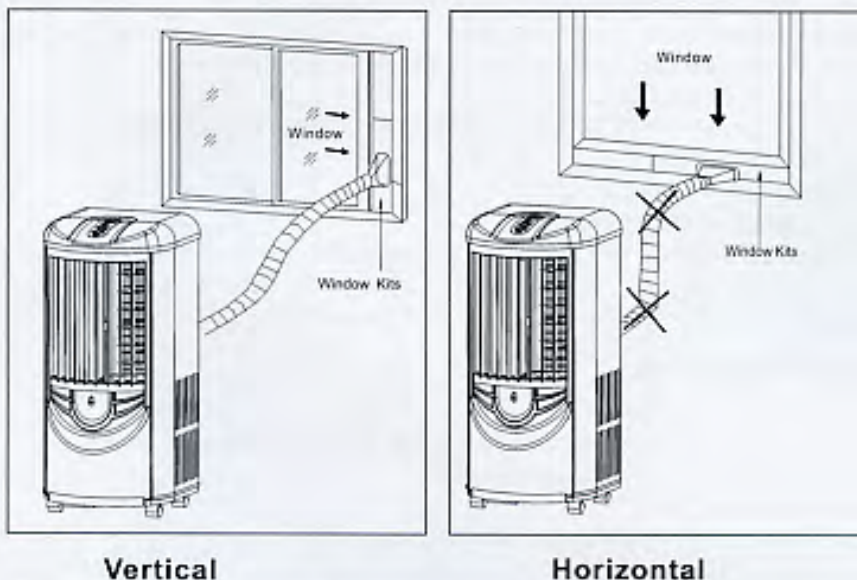
Do not use the TEST and RESET buttons as an on/off switch. They are only meant to be used to periodically check the LCDI plug .**CALL CUSTOMER SERVICE IF TEST FAILS.**

## 8.

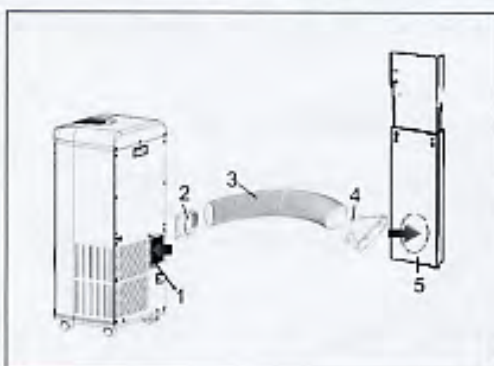
## INSTALLATION

When you use this unit for cooling or dehumidifying function, air from the exhaust port at the back of unit must be exhausted out of the room to complete the air exchange of the condenser. When the unit is operating on fan only, no outdoor air exchange takes place, hence you do not need to connect the exhaust hose and window kit.

### WINDOW INSTALLATION



**! DO NOT BEND OR CRUSH EXHAUST HOSE!**



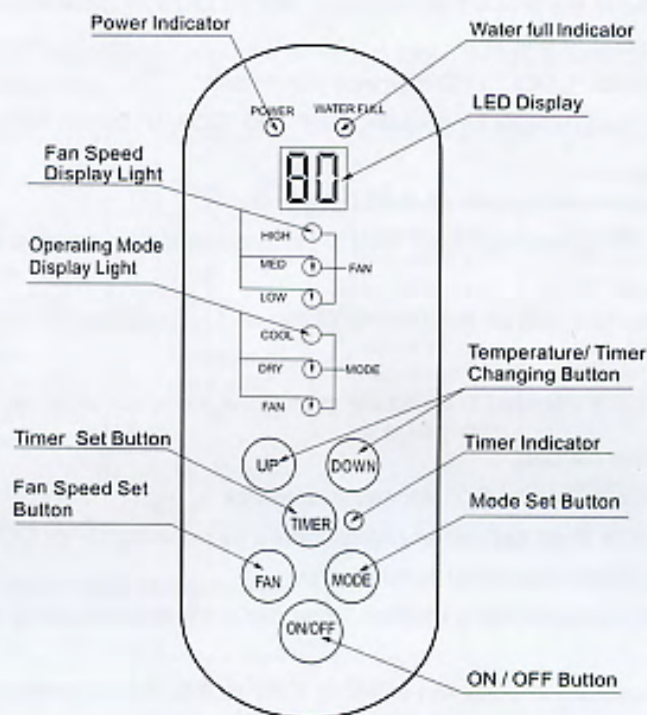
1. Exhaust Port
  2. Connector
  3. Exhaust Hose
  4. Window Kit Adaptor
  5. Adjustable Window Panel Kit
- Window Panel Kit consists of 2 Pieces of panels which adjusts from 29.5" To 55" To fit various window sizes.

Take out the Connector, Exhaust Hose, Window Kit Adaptor, Adjustable Window Panel Kit:

1. Measure the window the unit will be installed into and adjust the window panel to fit into the window. If window is either too wide or too tall, cut some pieces of styrofoam to fit at the edges of the window panel to seal the remaining spaces.
2. Secure the Connector onto one end of the exhaust hose.
3. Secure the Window Kit Adaptor onto the other end of the exhaust hose.
4. Insert the Connector which is already secured with the exhaust hose to the Exhaust Port. Insert the Window Kit Adaptor which is already secured with the exhaust hose to the Window Panel. Fix the Window Kit Adaptor to the Window Panel.



## Control Panel



## LED Indicator

- POWER:** (Unit On / Off)
- WATER FULL:** (Water tank is full, draining required)
- FAN:**
- HIGH (High speed)
  - MED (Medium speed)
  - LOW (Low speed)
- MODE:**
- COOL (Cooling)
  - DRY (Dehumidifying)
  - FAN (Fan-only)
- TIMER:** (Timer program)

## BUTTON AND ITS FUNCTION

- UP (Press to increase temperature setting or to delay hour during timer programming)
- DOWN (Press to lower temperature setting or to reduce delay hour during timer programming)
- TIMER (Press to start or cancel timer programming. Please refer to separate section for time setting procedures)
- FAN (Press to select fan speed)
- MODE (Press to select COOL, DRY or FAN mode)
- ON/OFF (Press to start or to stop the unit)

**Operate the unit in COOL mode:**

- Install the exhaust hose to the product according to INSTALLATION instruction.
- Press ON/OFF to turn on the unit.
- Press "MODE" button until "COOL" LED indicator illuminates.
- Set your desired room temperature by pressing "UP" and "DOWN" button within the set temperature range of 64°F~90°F.
- Your selected temperature will appear on the LED display.
- Press "FAN" to select fan speed from Low, Med to Hi. The selected fan speed indicator will illuminate.

**Note:** In COOL mode, you feel cool air from the Air Outlet and hot exhaust air from Exhaust Port.

**Operate the unit in DRY mode ( The unit will start in the mode same as last operation ):**

- Press ON/OFF to turn on the unit.
- Press "MODE" button until "DRY" LED indicator illuminates.
- Set the room temperature to an appropriate temperature by pressing UP or DOWN button.
- Keep the windows and doors closed for optimal effect
- The unit will not perform dehumidifying function when the room temperature is below 64°F.

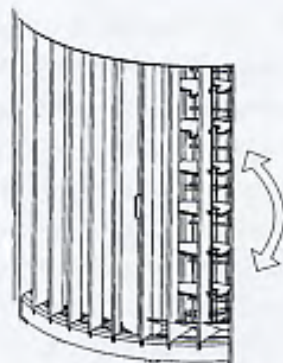
**Note:** The unit will only operate at LOW fan speed in DRY mode. It is recommended not to install the exhaust hose for better dehumidifying effect.

In "DRY" mode, the unit gives cool air from Air Outlet, and warm air from Exhaust Port.

**Operate the unit in FAN-ONLY mode:**

- Press ON/OFF to turn on the unit.
- Press "MODE" button until "FAN" LED indicator illuminates.
- The letter "F" will appear on LED display.
- Press "FAN" button to select fan speed from Low, Med to High

**Note:** It is not necessary to install the exhaust hose in FAN-ONLY mode. No exhaust air from Exhaust Port.

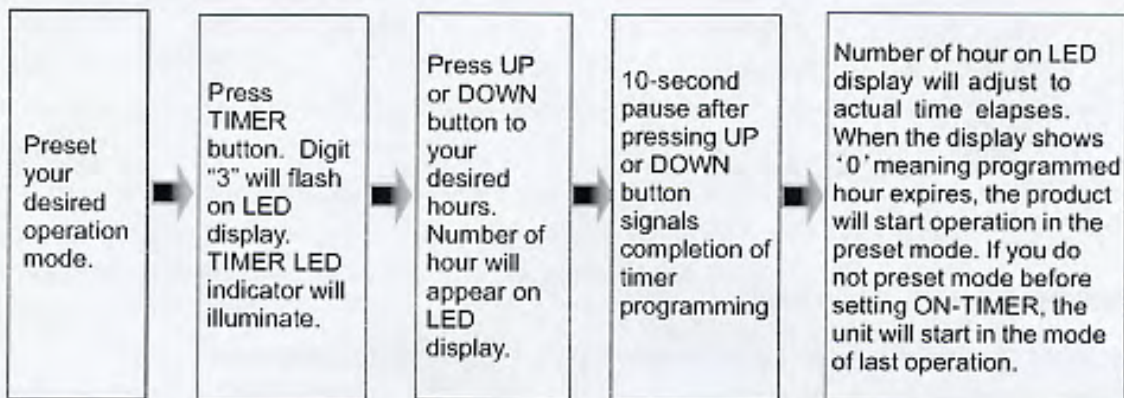
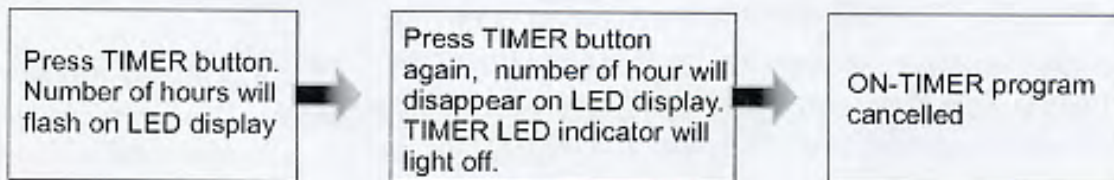
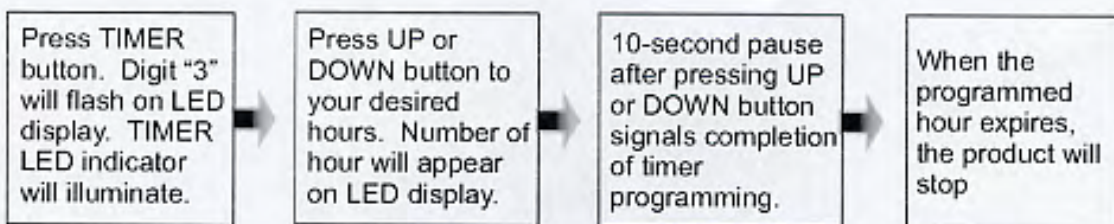
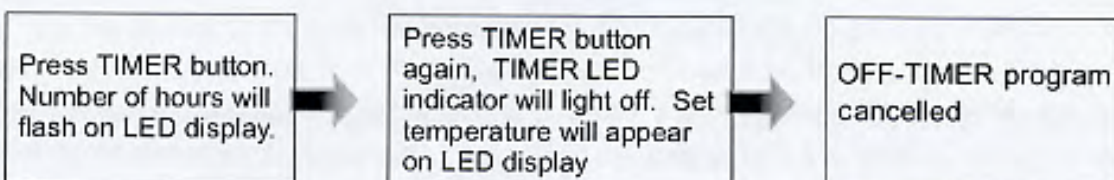
**ADJUSTING LOUVERS**

The horizontal louvers can be adjusted up and down by gently moving them to the desired position to help direct airflow.

## HOW TO SET TIMER

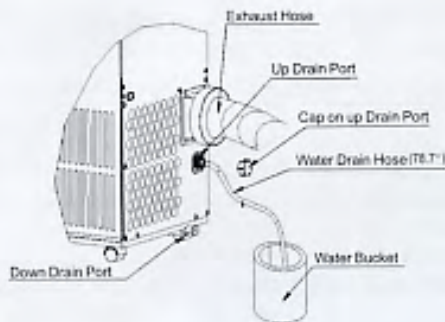
**ON-TIMER Program Setting:**

When the unit is in OFF condition, you can program ON TIMER to start the unit after your desired hours. Procedures:

**HOW TO CANCEL ON-TIMER Program Setting:****OFF-TIMER Program Setting:****HOW TO CANCEL OFF-TIMER Program Setting:**

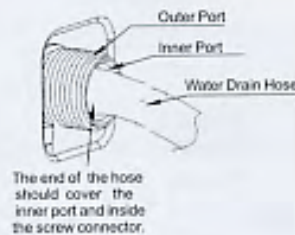
## 10. EMPTY THE RESIDUAL CONDENSATE WATER

### Drain Water from Up Drain Port:



### Connect Water Drain Hose to Up Drain Port:

1. Remove the cap on the Up Drain Port.
2. Connect the Water Drain Hose.



### Drain Water from Up Drain Port:

Procedures: Connect the Water Drain Hose to the Up Drain Port, allowing water to flow to a water bucket. (see above illustration).

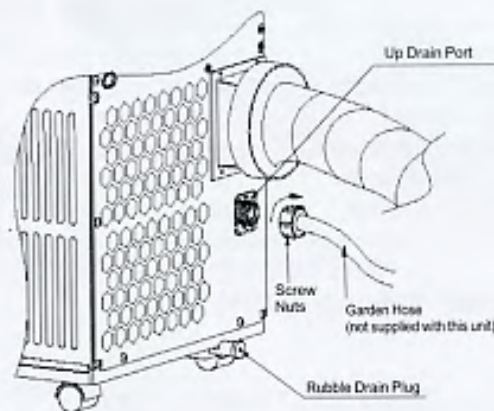
Remember to reinstall the cap on Up Drain Port after draining water.

### Drain Water from Down Drain Port: (Before Long Term Storage Only)

Procedures: Remove the Rubber Drain Plug on Down Drain Port. Connect the Water Drain Hose to allow water drain to a permanent source of water out-let.

Remember to reinstall the Drain Plug after draining water.

### Option: Drain water by Garden hose



The supplied Water Drain Hose is 78.7" long. If you require to drain water to a permanent water outlet in a distance beyond the length of the Water Drain Hose, you can connect a Garden Hose to the Up Drain Port.

The diameter of outer Port is designed to fit the screw nut of a garden hose.

## 11.

## MAINTENANCE

MAKE SURE POWER SUPPLY IS SWITCHED OFF AND THE PLUG IS PULLED OUT OF THE POWER OUTLET BEFORE ANY MAINTENANCE ACTIVITIES.

Do not immerse the unit in water or other liquids.

Do not pour liquids onto the unit.

### CLEAN THE FILTER:

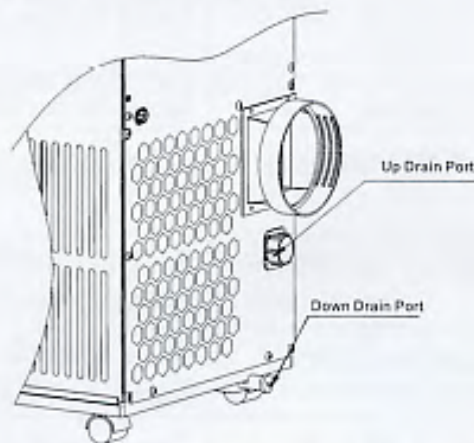
- If the filter is blocked with a lot of dust, the airflow volume will reduce and the cooling effect will lower.
- It is recommended to clean the filter once every two weeks or as needed.
- Take out the filter gently from the Air Inlet Grid. Wash gently with warm water (about 104°F).
- Dry it thoroughly and then place it back to the product.
- Do not bend the filter.

### CLEAN EXTERIOR SURFACE OF THE UNIT

- Clean with a damp sponge.
- Dry it with a clean, soft cloth.
- Never use alcohol or any product containing solvents.

### LONG TERM STORAGE

At the end of the season, or when you do not plan to use the unit for an extended period of time, we recommend that you take the following steps:



1. Empty the residual condensate water by following the procedures mentioned under section 10.
2. Empty water from Up Drain Port. Also, empty water from Down Drain Port.
3. Run the unit at FAN-Only mode for 3 to 4 hours to allow the product to dry thoroughly.
4. Disconnect the unit.
5. Clean the unit and store it in its original packaging, protecting it from dust.

***Store the unit in an upright position. Keep it in a cool, dry place and away from sunshine.***

## 12.

## TROUBLE SHOOTING

Problem	Cause	Solution
The unit does not run	Power failure or plug not correctly inserted in the socket.	Restore the power supply.
	The automatic switch or line fuse has been tripped.	please contact Fujitronic customer services.
	Power supply voltage is too low.	please contact Fujitronic customer services.
	LCDI plug trip off	Press the RESET button on the LCDI plug
	Power cord is damaged	Call Customer Service
The unit gives FAN only though the unit is set in COOL mode	The room temperature is not at working range	Check your room temperature
	The set temperature is too high	Reset to lower temperature
	Water full	If Water Full Indicator is on, follow instructions to empty the residual water from Up Drain Port
The unit seems do a little or do not cool quickly	The filter is dirty and obstructed.	Clean the filter
	Evaporator side air through is blocked	Clear the block
	The air intake and outlet ducts of the condenser side are obstructed	Check the hot air hose
	There is direct sunshine	Close the curtain or blinds
	The unit is set at dehumidifying mode	Set at cooling mode
	The unit is set at low fan speed	Re-set the fan speed at High speed.
The unit has worked for long time, but the room is not cold enough	Windows or doors are open	Close all of the windows and doors when the unit is working
	Too many people in the room	Turn on other cooling unit
	Other appliances produce a lot of heat	Turn off those appliances
	Ventilation in the room is not good	Check room ventilation
Too noisy	The unit is on uneven surface	Place the unit on even surface

## Guarantee

### ONE YEAR LIMITED WARRANTY

The manufacturer warrants the accompanying this Portable Air Conditioner to be free of defects in material and workmanship for the applications specified in its operation instruction for a period of ONE (1) year from the date of original retail purchase in the United States or Canada.

If the air conditioner exhibits a defect in normal use, we will, at its option, either repair or replace it, free of charge within a reasonable time after the air conditioner is returned during the warranty period.

As a condition to any warranty service obligation, the consumer must present this Warranty Certificate along with a copy of the original purchase invoice.

#### **THIS WARRANTY DOES NOT COVER:**

- 1) Damage, accidental or other wise, to the air conditioner while in the possession of a consumer not caused by a defect in material or workmanship;
- 2) Damage caused by consumer misuse, tampering, or failure to follow the care and special handling provisions in the instructions.
- 3) Damage to the finish of the case, or other appearance parts caused by wear.
- 4) Filter.
- 5) Damage caused by repairs or alterations of the air conditioner by anyone other than authorized by the manufacturer.
- 6) Freight and Insurance cost for the warranty service.

#### **Service After Sale**

**Contact:**

If you have some question, please do not return this product to the store first, simply call our customer service department for any question and check it.