

**Instructions for use and installation**

Cooker Hood

**Vejledning for installation brug og vedligeholdelse**

Emhætte

**Handbok för installation användning och underhåll**

Köksfläkt

**Håndbok for installasjon bruk og vedlikehold**

Kjøkkenvifte

**Asennus-, käyttö- ja hoito-opas**

Liesituuletin

FDF 9044 I XS ECS

Instructions Manual

INDEX

RECOMMENDATIONS AND SUGGESTIONS	7
CHARACTERISTICS	8
INSTALLATION	10
USE	14
MAINTENANCE.....	15
EASY CLEANING TM.....	16

Brugsvejledning

INDHOLD

RÅD OG ANVISNINGER.....	19
APPARATBESKRIVELSE	20
INSTALLATION	22
BRUG.....	26
VEDLIGEHOLDELSE	27
EASY CLEANING TM.....	28

Bruksanvisning

INNEHÅLL

REKOMMENDATIONER OCH TIPS.....	31
EGENSKAPER	32
INSTALLATION	34
ANVÄNDING.....	38
UNDERHÅLL	39
EASY CLEANING TM.....	40

Bruksanvisning

INNHold

ANBEFALINGER OG FORSLAG	43
EGENSKAPER	44
INSTALLASJON	46
BRUK	50
VEDLIKEHOLD	51
EASY CLEANING TM.....	52

Käyttöopas

SISÄLTÖ

SUOSITUKSET JA EHDOTUKSET	55
MITAT JA OSAT	56
ASENNUS.....	58
KÄYTTÖ.....	62
HUOLTO	63
EASY CLEANING TM.....	64

RECOMMENDATIONS AND SUGGESTIONS

INSTALLATION

- The manufacturer will not be held liable for any damages resulting from incorrect or improper installation.
- The minimum safety distance between the cooker top and the extractor hood is 650 mm.
- Check that the mains voltage corresponds to that indicated on the rating plate fixed to the inside of the hood.
- For Class I appliances, check that the domestic power supply guarantees adequate earthing.

Connect the extractor to the exhaust flue through a pipe of minimum diameter 120 mm. The route of the flue must be as short as possible.

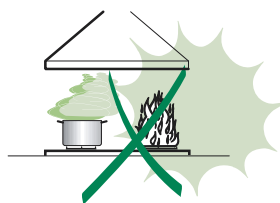
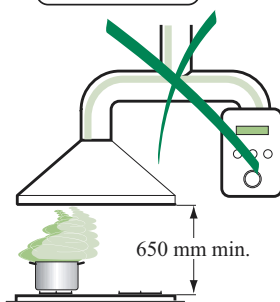
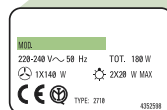
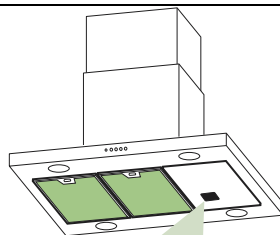
- Do not connect the extractor hood to exhaust ducts carrying combustion fumes (boilers, fireplaces, etc.).
- If the extractor is used in conjunction with non-electrical appliances (e.g. gas burning appliances), a sufficient degree of aeration must be guaranteed in the room in order to prevent the backflow of exhaust gas. The kitchen must have an opening communicating directly with the open air in order to guarantee the entry of clean air.

USE

- The extractor hood has been designed exclusively for domestic use to eliminate kitchen smells.
- Never use the hood for purposes other than for which it has been designed.
- Never leave high naked flames under the hood when it is in operation.
- Adjust the flame intensity to direct it onto the bottom of the pan only, making sure that it does not engulf the sides.
- Deep fat fryers must be continuously monitored during use: overheated oil can burst into flames.
- Do not flambè under the range hood; risk of fire
- The hood should not be used by children or persons not instructed in its correct use.

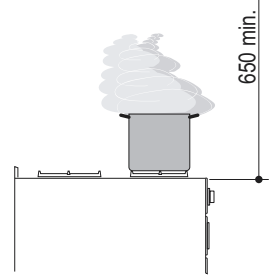
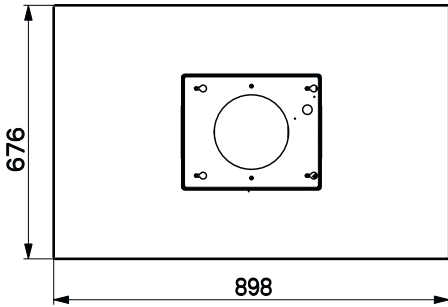
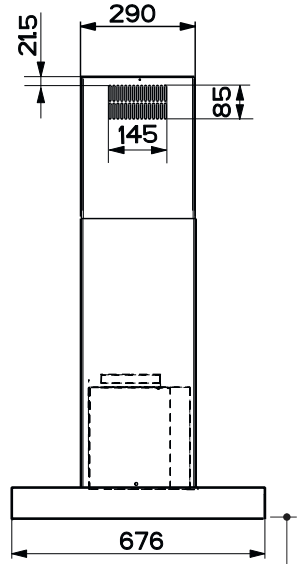
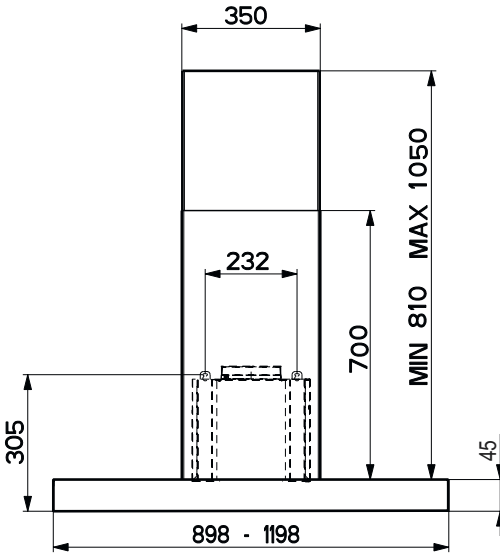
MAINTENANCE

- Switch off or unplug the appliance from the mains supply before carrying out any maintenance work.
- Clean and/or replace the Filters after the specified time period.
- Clean the hood using a damp cloth and a neutral liquid detergent.



CHARACTERISTICS

Dimensions

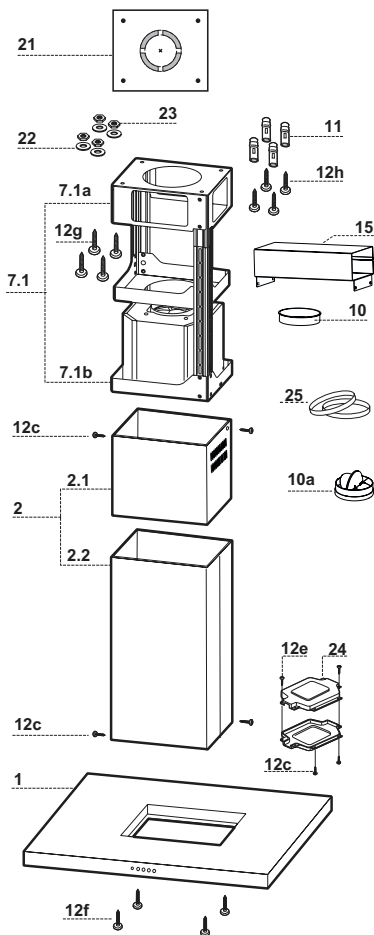


Components

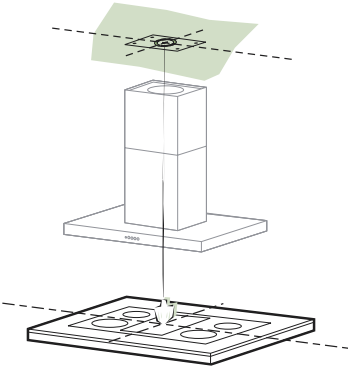
Ref.	Q.ty	Product Components
1	1	Hood Body, complete with: Controls, Light, Blower, Filters
2	1	Telescopic Chimney comprising:
2.1	1	Upper Section
2.2	1	Lower Section
7.1	1	Telescopic frame complete with extractor, consisting of:
7.1a	1	Upper frame
7.1b	1	Lower frame
10	1	Flange \varnothing 150
10a	1	Dumper \varnothing 150mm
15	1	Air Outlet Connection
24	1	Junction box
25	2	Pipe clamps

Ref.	Q.ty	Installation Components
11	4	Wall Plugs \varnothing 10
12c	6	Screws 2,9 x 6,5
12e	2	Screws 2,9 x 9,5
12f	4	Screws M6 x 10
12g	4	Screws M6 x 80
12h	4	Screws 5,2 x 70
21	1	Drilling template
22	4	6.4 mm int. dia washers
23	4	M6 nuts

Q.ty	Documentation
1	Instruction Manual



INSTALLATION



Drilling the Ceiling/shelf and fixing the frame

DRILLING THE CEILING/SHELF

- Use a plumb line to mark the centre of the hob on the ceiling/support shelf.
- Place the drilling template **21** provided on the ceiling/support shelf, making sure that the template is in the correct position by lining up the axes of the template with those of the hob.
- Mark the centres of the holes in the template.
- Drill the holes at the points marked:
 - For concrete ceilings, drill for plugs appropriate to the screw size.
 - For hollow brick ceilings with wall thickness of 20 mm: drill \varnothing 10 mm(immediately insert the Dowels **11** supplied).
 - For wooden beam ceilings, drill according to the wood screws used.
 - For wooden shelf, drill \varnothing 7 mm.
 - For the power supply cable feed, drill \varnothing 10 mm.
 - For the air outlet (Ducted Version), drill according to the diameter of the external air exhaust duct connection.
- Insert two screws of the following type, crossing them and leaving 4-5 mm from the ceiling:
 - For concrete ceilings, use the appropriate plugs for the screw size (not provided).
 - for Cavity ceiling with inner space, with wall thickness of approx. 20 mm, Screws **12h**, supplied.
 - For wooden beam ceilings, use 4 wood screws (not provided).
 - For wooden shelf, use 4 screws **12g** with washers **22** and nuts **23**, provided.

FIXING THE frame

- Loosen the two screws fastening the lower chimney and remove this from the lower frame.
- Loosen the two screws fastening the upper chimney and remove this from the upper frame.

If you wish to adjust the height of the frame, proceed as follows:

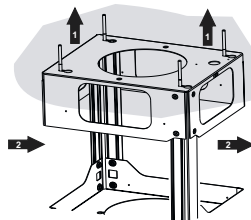
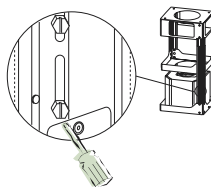
- Unfasten the eight metric screws joining the two columns, located at the sides of the frame.
- Adjust the frame to the height required, then replace all the screws removed as above.
- Insert the upper chimney stack from above, and leave it running free on the frame.
- Lift up the frame, fit the frame slots onto the screws up to the slot end positions.
- Tighten the two screws and fasten the other two screws provided with the hood.

Before tightening the screws completely it is possible to adjust the frame by turning it. Make sure that the screws do not come out of their seats in the slotted holes.

- The frame mountings must be secure to withstand the weight of the hood and any stresses caused by the occasional side thrust applied to the device.

On completion, check that the base is stable, even if the frame is subjected to bending.

- In all cases where the ceiling is not strong enough at the suspension point, the installer must provide strengthening using suitable plates and backing pieces anchored to the structurally sound parts.



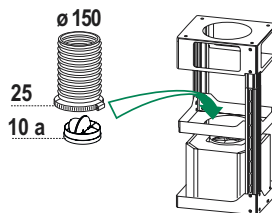
Connections

DUCTED VERSION AIR EXHAUST SYSTEM

When installing the ducted version, connect the hood to the chimney using either a flexible or rigid pipe the choice of which is left to the installer.

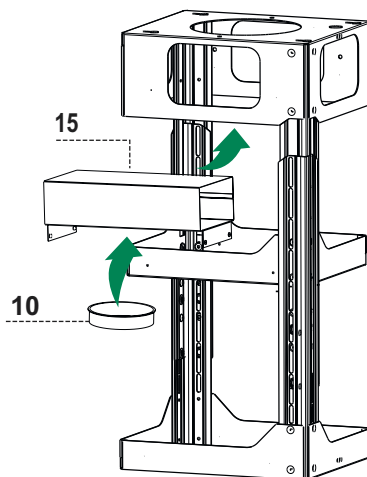
To install a $\varnothing 150$

- To install the dumper **10a** $\varnothing 150$.
- Fix the pipe in position using sufficient pipe clamps (not supplied).
- Remove any activated charcoal filters.



Recirculation version air outlet

- Fix the connection **15** to the frame using the 4 screws provided.
- Fix the flange **10** to the lower opening of the connection **15**.
- Connect the hood air outlet to the flange in the lower part of the junction using a rigid or flexible \varnothing 150 tube (by installer's choice).

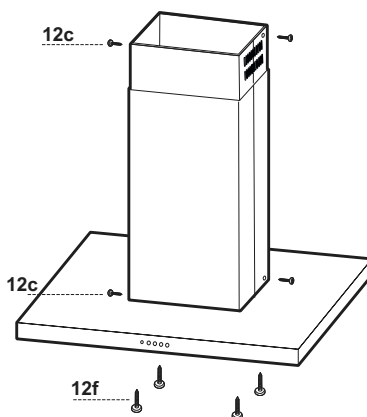


Flue assembly - Mounting the hood body

- Position the upper chimney section and fix the upper part to the frame using the 2 screws **12c** (2,9 x 6,5) provided.
- Similarly, position the lower chimney section and fix the lower part to the frame using the 2 screws **12c** (2,9 x 6,5) provided.

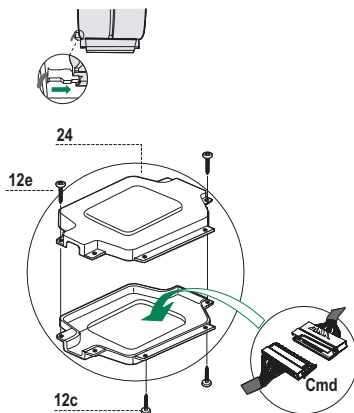
Before fixing the hood body to the frame:

- Remove the grease filters from the hood body.
- Remove any activated charcoal filters.
- From below, use the 4 screws **12f** (M6 x 10) provided to fix the hood body to the frame.

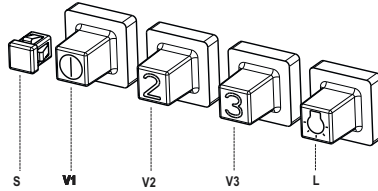


ELECTRICAL CONNECTION

- Connect the hood to the mains through a two-pole switch having a contact gap of at least 3 mm.
- Remove the grease filters (see paragraph Maintenance) being sure that the connector of the feeding cable is correctly inserted in the socket placed on the side of the fan.
- Connect the control connector **Cmd**.
- Place the connectors in the junction box **24** and close it using the 2 screws **12e** (2,9 x 9,5) provided.
- Fix the junction box to the hood body using the 2 screws **12c** (2,9 x 6,5) provided.
- For the recirculation version, fit the activated carbon odour filter.
- Replace the grease filters.



USE



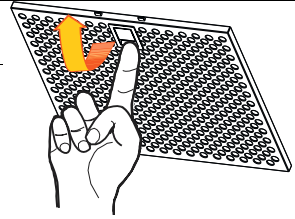
L	Light	Switches the lighting system on and off.
S	Led	Motor running led.
V1	Motor	Switches the extractor motor on and off at low speed. Used to provide a continuous and silent air change in the presence of light cooking vapours.
V2	Speed	Medium speed, suitable for most operating conditions given the optimum treated air flow/noise level ratio.
V3	Intensive	Maximum speed, used for eliminating the highest cooking vapour emission, including long periods.

MAINTENANCE

Grease filters

CLEANING METAL SELF- SUPPORTING GREASE FILTERS

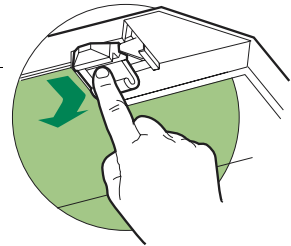
- The filters must be cleaned every 2 months of operation, or more frequently for particularly heavy usage, and can be washed in a dishwasher.
- Remove the filters one at a time holding them up with one hand and pulling the handle downwards with the other hand at the same time.
- Wash the filters, taking care not to bend them. Allow them to dry before refitting.
- When refitting the filters, make sure that the handle is visible on the outside.



Activated charcoal filter (Recirculation version)

REPLACING THE ACTIVATED CHARCOAL FILTER

- The filter is not washable and cannot be regenerated, and must be replaced approximately every 4 months of operation, or more frequently for particularly heavy usage.
- Remove the metal grease filters
- Remove the saturated activated carbon filter by releasing the fixing hooks
- Fit the new filter by hooking it into its seating
- Replace the metal grease filters.

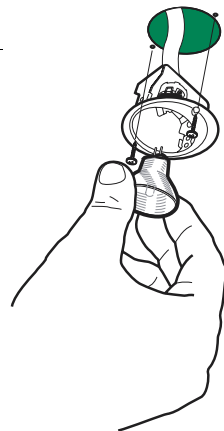


Lighting

LIGHT REPLACEMENT

20 W halogen light.

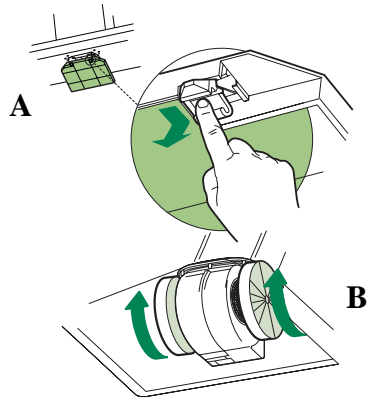
- Remove the 2 screws fixing the Lighting support, and pull it out of from the Hood.
- Extract the lamp from the Support.
- Replace with another of the same type, making sure that the two pins are properly inserted in the lamp holder socket holes.
- Replace the Support, fixing it in place with the two screws removed as above.



Removing the Grease Filters

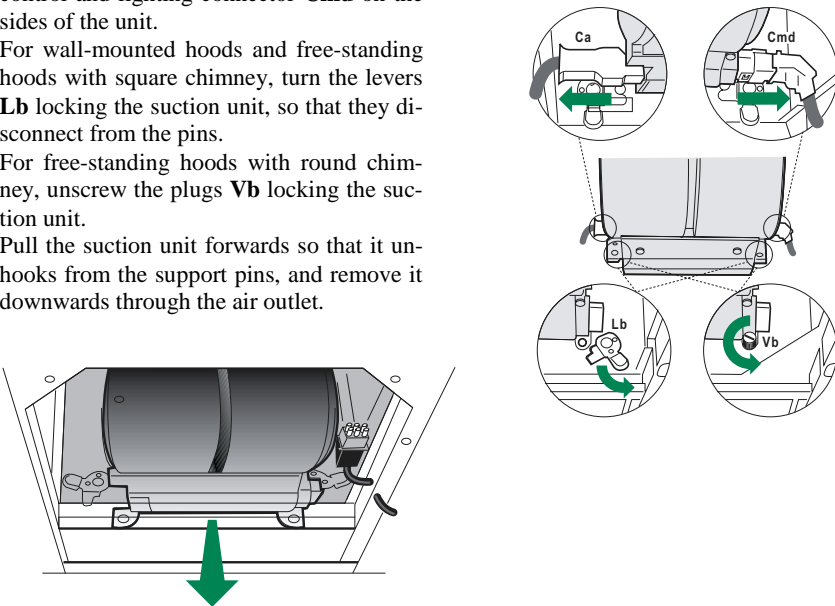
Before carrying out Maintenance on the EASY CLEANING Suction Unit:

- Disconnect the hood by switching off the twopole switch on the mains power supply line, or by switching off the main power switch.
- Remove the grease filters from the hood.
- If the hood is of the recirculation type, remove the odour filters:
- For hoods with a flat cartridge (A): turn the fastening elements provided;
- For hoods with a bayonet cartridge (B): turn as indicated and extract.



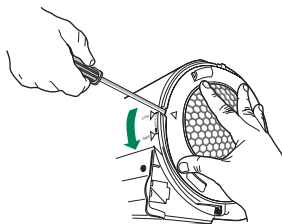
Disconnecting the EASY CLEANING Suction Unit

- Disconnect the power connector **Ca** and the control and lighting connector **Cmd** on the sides of the unit.
- For wall-mounted hoods and free-standing hoods with square chimney, turn the levers **Lb** locking the suction unit, so that they disconnect from the pins.
- For free-standing hoods with round chimney, unscrew the plugs **Vb** locking the suction unit.
- Pull the suction unit forwards so that it un-hooks from the support pins, and remove it downwards through the air outlet.

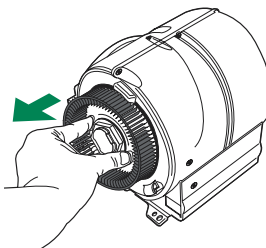


Dismantling Washable Parts

- To remove the side grilles protecting the fans, lift up the stop tooth using a knife or screwdriver and turn the grilles in the direction indicated by the arrow.

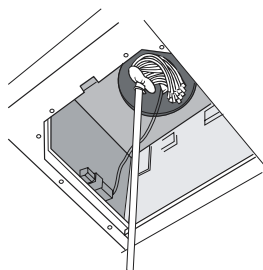
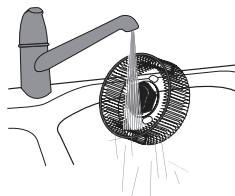


- Grasp the fans in the holes provided and pull to extract.



CLEANING

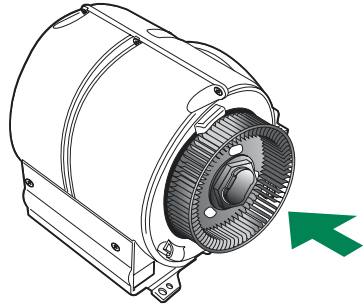
- Wash the fans and the protection grilles, using normal washing-up liquid. These elements can also be washed in the dishwasher.
- Using a damp cloth and a suitable detergent, clean the body of the suction device, taking great care not to allow any water to leak into the inside of the unit or into the connector housings.
- Leave until completely dry before reassembling.
- Using a brush, clean the air outlet pipe as far as you can reach.



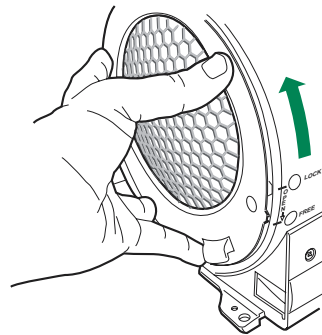
REASSEMBLY

N.B. To avoid reassembling the wrong way round, the two fans have different couplings.

- Reassemble the fans on the corresponding pins, pressing them until they snap into place.



- Fit the protection grilles so that the teeth coincide in the “FREE” position and when turned to “LOCK”.
- Replace the EASY CLEANING suction unit on the hood, inserting it in position and connecting it to the support pins.
- Turn the lock levers, or screw in the lock plugs.
- Connect the power connector and the command connector to the sockets on the sides of the suction device.
- Replace any activated charcoal odour filters.
- Replace the grease filters.
- Connect the hood to the power supply system, by turning the two-pole switch on the mains power line to on, or by turning the main switch on.
- Check that the hood is working properly, by turning the motor and lighting on.



RÅD OG ANVISNINGER

INSTALLATION

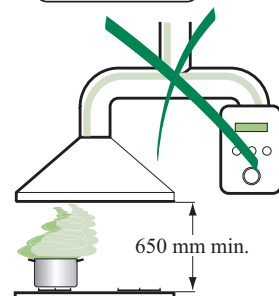
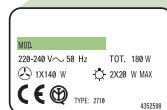
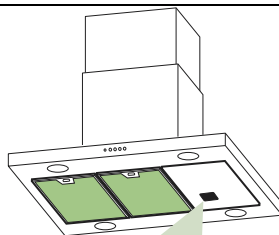
- Producenten kan ikke holdes ansvarlig for eventuelle skader, der skyldes ukorrekt eller forkert installation.
- Den mindst tilladte sikkerhedsafstand mellem komfurets top og emhættens underside er 650 mm.
- Kontrollér, at lysnetspændingen er den samme som den spænding, der er angivet på mærkepladen, der sidder på inde i emhætten.
- For Klasse I apparater skal det også kontrolleres, at elforsyningen er forsynet med jord.
- Emhætten kobles til aftrækskanalen ved hjælp af et rør med en min.-diameter på 120 mm. Afstanden fra emhætten til kanalen skal være så kort som mulig.
- Emhætten må ikke tilsluttes en kanal, der fører forbrændingsgasser ud i det fri (oliefyr, brændeovne etc.).
- Hvis emhætten skal anvendes i forbindelse med ikke-elektriske apparater (f.eks. gaskomfur, gaskogeblus), skal det sikres, at lufttilgangen til rummet er tilstrækkelig, så aftræksgasserne ikke slår tilbage. Køkkenet skal have en åbning, der har direkte forbindelse til det fri, så der er sikret en tilstrækkelig mængde ren luft.

ANVENDELSE

- Emhætten er udelukkende beregnet til at fjerne em og lugte i køkkener i private husholdninger.
- Emhætten må kun anvendes til det formål, hvortil den er konstrueret.
- Der må ikke forekomme høj åben ild under emhætten, mens den anvendes.
- Justér brænderen, så flammerne er rettet direkte mod bunden af panden/gryden – de må ikke nå ud over kanten af bunden.
- Frituregryder skal under brug holdes under konstant opsyn: kogende varm olie kan sprøjte ind i flammerne.
- Emhætten må ikke anvendes af børn og personer, som ikke ved, hvordan den betjenes.
- Apparatet er ikke beregnet til at skulle anvendes af mindre børn eller svækkede personer uden opsyn.
- Undlad at flambe retter under emhætten; der opstår ellers brandfare.
- Mindre børn skal holdes under opsyn for at sikre, at de ikke leger med apparatet.

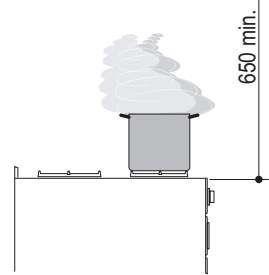
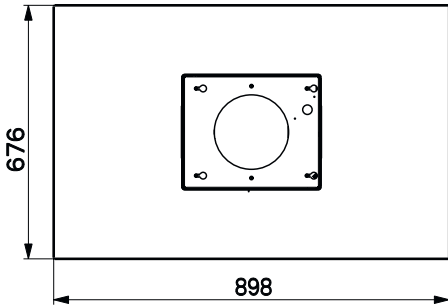
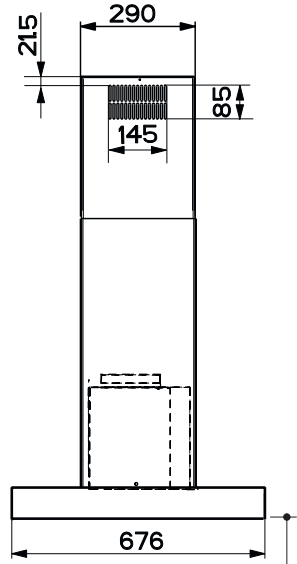
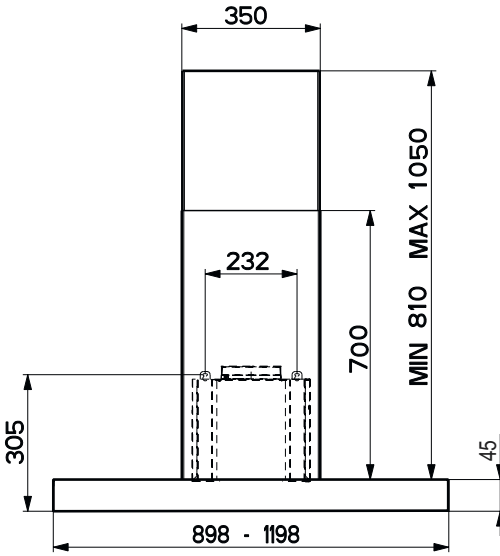
VEDLIGEHOLDELSE

- Inden apparatet skal vedligeholdes eller rengøres, skal der slukkes for det eller stikket skal tages ud af stikkontakten.
- Rengør og/eller udskift filtrene iht. det angivne tidsinterval.
- Rengør emhætten ved hjælp af en fugtig klud og et neutralt flydende rengøringsmiddel.



APPARATBESKRIVELSE

Dimensioner



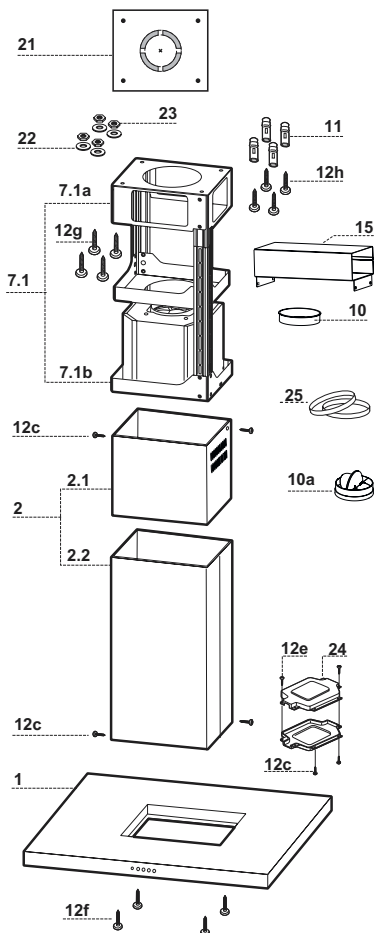
Komponenter

Ref.	Stk.	Produktets komponenter
1	1	Emhættens hoveddel inkl.: Betjeningsanordninger, lys, filtre
2	1	Teleskopaftræk bestående af:
2.1	1	Øverste aftræk
2.2	1	Nederste aftræk
7.1	1	Teleskopramme med udsugningsenhed bestående af:
7.1a	1	Øverste ramme
7.1b	1	Nederste ramme
10	1	Sidestykke ø 150
10a	1	Sidestykke med ventil ø 150 mm
15	1	Luftudstrømnings overgangsstykke
24	1	Forbindelseskasse
25	2	Rørklemmer

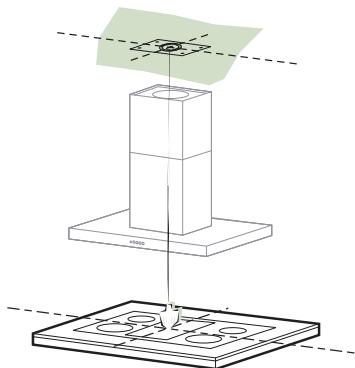
Ref.	Stk.	Installationsdele
11	4	Forankringer ø 10
12c	6	Skruer 2,9 x 6,5
12e	2	Skruer 2,9 x 9,5
12f	4	Skruer M6 x 10
12g	4	Skruer M6 x 80
12h	4	Skruer 5,2 x 70
21	1	Boreskabelon
22	4	Spændskiver int. ø 6,4
23	4	Møtrikker M6

Sik. Dokumentation

1 Brugerhåndbog



INSTALLATION



Boring i loftet/hylden og fastgørelse af rammen

BORING I LOFTET/HYLDEN

- Brug en lodlinie til at markere centrum af kogepladen på loftet/støtthejlden
- Placer den medfølgende boreskabelon **21** på loftet/støtthejlden, idet du skal sikre dig, at skabelonen er placeret korrekt ved at stille skabelonens akser på linie med kogepladens.
- Marker centrum af hullerne i skabelonen.
- Bor huller på de markerede punkter.
 - Ved betonlofter skal der bores til plugs passende til skruestørrelsen.
 - I hulstenslofter med en godstykkelse på 20 mm: bor \varnothing 10 mm (isæt straks dyvlerne **11** der er medleveret).
 - I træbjælkelofter skal der bores passende til de anvendte træskruer.
 - Til træhylden skal der bores \varnothing 7 mm.
 - For kraftkabeltilførslen skal der bores \varnothing 10 mm.
 - Til luftaftræk (afskærmet version) skal du bore i henhold til diameteren på den eksterne kanalforbindelse til luftaftræk
- Isæt to skruer af følgende type, idet de krydses og sættes i 4-5 mm fra loftet:
 - Ved betonlofter skal du bruge passende plugs til skruestørrelsen (medfølger ikke).
 - til hulstensloft med hulrum, med en godstykkelse på ca. 20 mm, skruer **12h**, medleveret.
 - Til træbjælkelofter skal der bruges 4 træskruer (medfølger ikke).
 - Til træhylden skal der bruges 4 skruer **12g** med skiver **22** og møtrikker **23**, medleveret.

Fastgørelse af rammen

- Løsn de to skruer, der fastgør den nederste skorsten, og tag denne væk fra den nederste ramme.
- Løsn de to skruer, der fastgør den øverste skorsten, og tag denne væk fra den øverste ramme.

Hvis du ønsker at justere rammens højde, skal du fortsætte som følger:

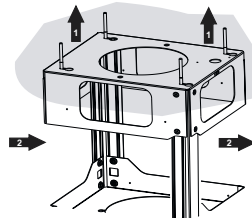
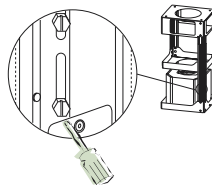
- Løsn de 8 metriske skruer, der forbinder de to søjler, placeret på rammens sider.
- Juster rammen til den krævede højde, og sæt så alle skruer, der har været fjernet, på plads som ovenfor.
- Isæt den øverste skorstensskakt ovenfra og lad den løbe frit på rammen.
- Løft rammen op, anbring rammens riller oven på skruerne op til rillernes endepositioner.
- Stram de to skruer og fastgør de to andre skruer, der er leveret med emhætten.

Inden skruerne strammes helt, er det muligt at justere rammen ved at dreje den. Vær sikker på at skruerne ikke kommer ud af deres lejer i de rillede huller.

- Rammebeslagene skal være sikre på at kunne modstå emhættens vægt og evt. påvirkninger forårsaget af det tilfældige sidetryk anvendt på apparatet.

Ved slutbearbejdning skal du kontrollere, at underkanten er stabil, selv om rammen udsættes for bukning.

- I alle tilfælde hvor loftet ikke er stærkt nok på ophængningspunktet, skal installatøren sørge for forstærkning ved hjælp af passende plader og underlagsstykker forankret til bygningsmæssige sunde dele.



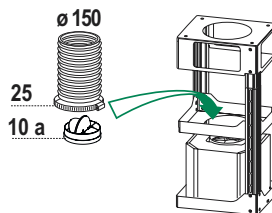
Forbindelser

LUFTUDLEDNING PÅ VERSION MED UDSUGNING

Ved installation som version med udsugning forbindes emhætten til udlædningsrøret ved hjælp af et rør eller en flexslange, som det påhviler installatøren at vælge.

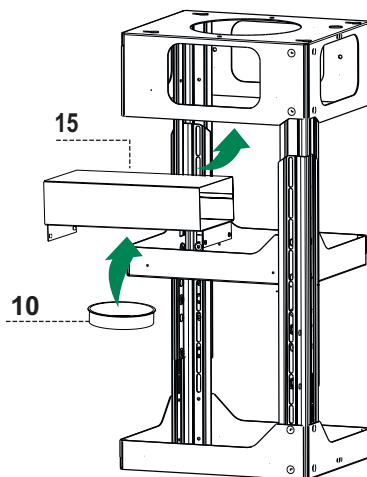
Forbindelse af rør $\varnothing 150$

- Sæt sidestykket med ventil **10a** $\varnothing 150$ på emhættens hoveddels udledning.
- Fastgør røret med egnede rørklemmer. Det påkrævede materiale følger ikke med.
- Fjern lugtfilterne med aktivt kul, såfremt de forefindes.



Luftudledning på Filtrerende version

- Fastgør overgangsstykket **15** til rammen ved hjælp af de 4 medfølgende skruer.
- Før flangen **10** ind i det dertil beregnede, nederste hul på overgangsstykket **15**.
- Forbind emhættens luftudledning til flangen under overgangsstykket ved hjælp af et rør eller en flexslange \varnothing 150, som det påhviler installatøren at vælge.

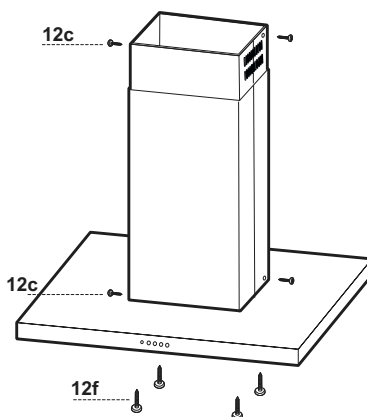


Montering af aftræk og fastgøring af emhættens hoveddel

- Placér det øverste aftræk, og fastgør dets overdel til rammen med de 2 medfølgende skruer **12c** (2,9 x 6,5).
- Placér derefter det nederste aftræk, og fastgør dets underside til rammen ved hjælp af de 2 medfølgende skruer **12c** (2,9 x 6,5).

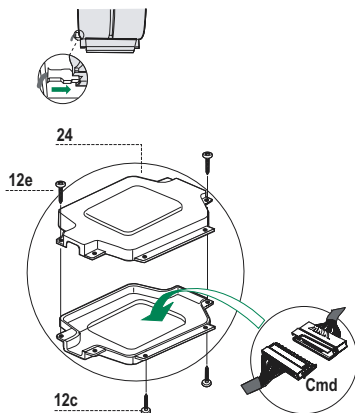
Før emhættens hoveddel fastgøres til rammen:

- Fjern fedtfilterne fra emhættens hoveddel;
- Fjern lugtfilterne med aktivt kul, såfremt de forefindes.
- Fastgør derefter emhættens hoveddel til den installerede ramme, nedefra ved hjælp af de 4 medfølgende skruer **12f** (M6 x 10).

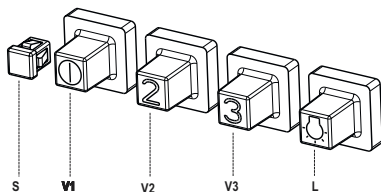


ELEKTRISK TILSLUTNING

- Tilslut enhættten til strømmen via en topolet kontakt med en kontaktafstand på mindst 3 mm.
- Tag fedtfilterne af (se afsnittet Vedligeholdelse), idet du skal sikre dig, at forbindelsesstykket for strømtilførselskablet er korrekt sat i stikdåsen placeret på siden af ventilatoren.
- Tilslut kontrolforbindelsesstykket **Cmd**.
- Placer forbindelserne i tilslutningsdåsen **24** og luk den ved hjælp af de 2 skruer **12e** (2,9 x 9,5), der medfølger.
- Fastgør tilslutningsdåsen til enhættten ved hjælp af de 2 skruer **12c** (2,9 x 6,5), der medfølger.
- For recirkulationsudgaven skal du fastgøre de aktive kullugtfiltre.
- Sæt fedtfilterne på plads igen.



BRUG



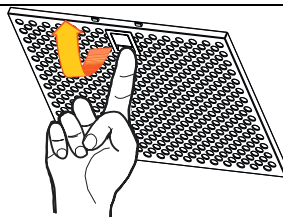
L	Lys	Tænder og slukker for lyssystemet.
S	Lysdiode	Motorfungerende lysdiode.
VI	Motor	Tænder og slukker udsugningsmotoren på lav hastighed. Bruges til at give en constant og lydløs luftudskiftning, hvis der er lette madlavningsdampe.
V2	Hastighed	Middelhastighed, passende til de fleste driftbetingelser forudsat optimalt forhold mellem behandlet luft/støjniveau.
V3	Intensiv	Højeste hastighed, bruges til at fjerne de madlavningsdampe, der udsendes på højeste varme, inklusive lange perioder.

VEDLIGEHOELDELSE

Fedtfiltre

RENGØRING AF SELVBÆRENDE FEDTFILTRE AF METAL

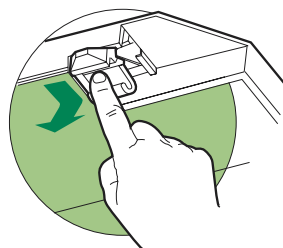
- De kan også vaskes i opvaskemaskine, og de skal renses cirka hver 2. måned ved almindelig anvendelse, helst oftere ved intensiv anvendelse.
- Fjern filtrene, ét ad gangen, og hold dem fast med den ene hånd, mens grebet trækkes nedad med den anden.
- Skyl filtrene uden at bøje dem, og lad dem tørre, før de sættes på plads igen.
- Sæt dem på plads igen, og sørg for, at håndtaget vender mod den synlige yderside.



Aktivt kulfilter (recirkulationsudgave)

UDSKIFTNING AF DET AKTIVE KULFILTER

- Filteret kan ikke vaskes og kan ikke regenereres, og skal udskiftes omkring hver fjerde måned, eller oftere ved kraftig brug.
- Tag fedtfiltrene af metal ud
- Tag det gennemvædede aktive kulfilter ud ved at løsne befæstelseskrogene.
- Fastgør det nye filter ved at hægte ind på plads
- Sæt metalfedtfiltrene på plads igen.

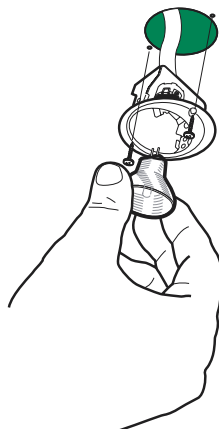


Belysning

UDSKIFTNING AF PÆRER

20W halogenpærer.

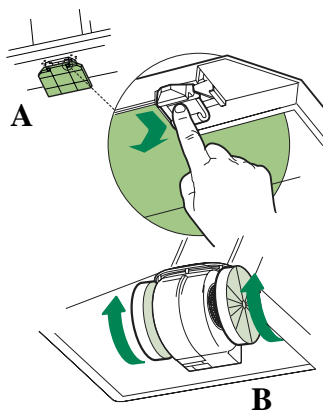
- Fjern de 2 skruer, som fastholder fatningen og tag den ud af enhættten.
- Tag pæren ud af fatningen.
- Skift den ud med en ny af samme slags, idet man sørger for at indsætte de to spidser korrekt i fatningen.
- Montér fatningen igen ved hjælp af de to skruer.



Udtagning af fedtfiltere

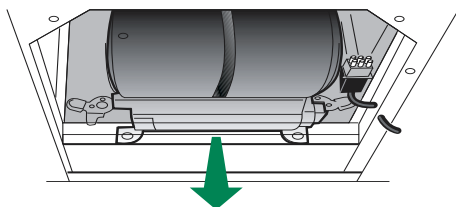
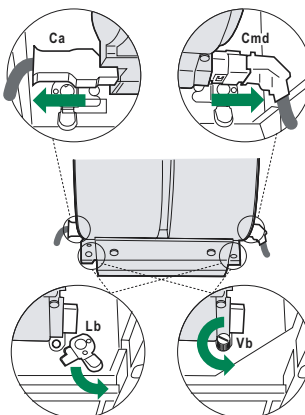
Før man går i gang med vedligeholdelsen af EASY CLEANING udsugningsenheden:

- Frakobl emhætten ved at aktivere den topolede afbryder, der er installeret på netforsyningen, eller hovedafbryderen.
- Fjern fedtfilterene fra emhætten.
- Fjern lugtfilterene, hvis det drejer sig om den filtrerende version af emhætten:
- Hvis emhætten er forsynet med flad indsats (A): Indvirk på de dertil beregnede hager;
- Hvis emhætten er forsynet med bajonetindsats (B): Drej som vist på billedet, og tag den ud.



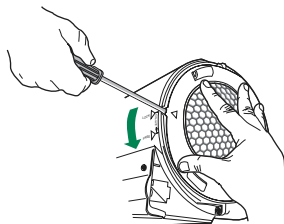
Frakobling af EASY CLEANING udsugningsenheden

- Frakobl forsyningskonnektoren **Ca** og betjeningsanordningernes og belysningens konnektor **Cmd** på enhedens sider.
- På vægmonterede emhætter og emhætter over kogeøer med rektangulært aftræk, skal udsugningsenhedens spærregreb **Lb** drejes og frakobles tappene.
- På emhætter over kogeøer med rundt aftræk, skal udsugningsenhedens spærhager **Vb** løsnes.
- Træk udsugningsenheden frem, så den frakobles støttetappene, og tag den ud via luftudgangen, i nedadgående retning.

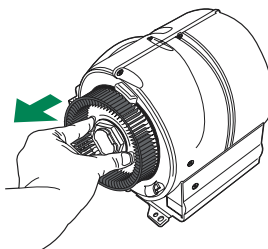


Afmontering af de dele, der kan vaskes

- Sideristene, der beskytter roterne, fjernes ved at hæve spærrehakkene med spidsen af en skruetrækker eller en kniv og dreje dem i pilens retning.

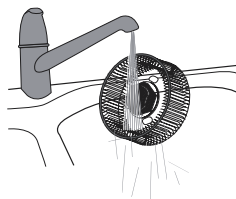


- Tag fat i roterne i hullerne, og træk dem ud.

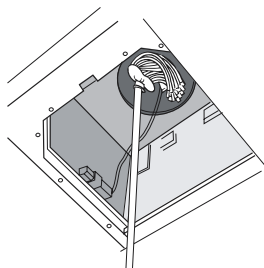


RENGØRING

- Vask roterne og beskyttelsesristene med et almindeligt opvaskemiddel. De kan også vaskes i opvaskemaskine.
- Rens udsugningsanordningens hoveddel med en fugtig klud og et egnet rengøringsmiddel; pas på, at der ikke trænger vand ind i enheden og konnektorenes sæder.
- Lad den tørre godt, før den sættes på plads igen.



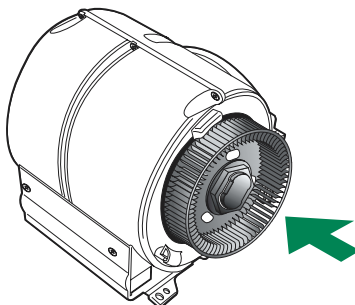
- Rens luftudgangsrøret så langt ind som muligt med en gulvskrubbe.



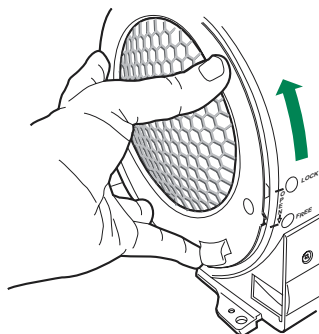
GENMONTERING

OBS: For at undgå at bytte om på rotorerne, når de sættes på plads igen, er deres tilkoblingssteder forskellige.

- Sæt rotorerne tilbage på de tilsvarende tappe, idet der presses, indtil der høres et klik.



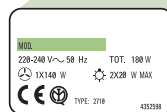
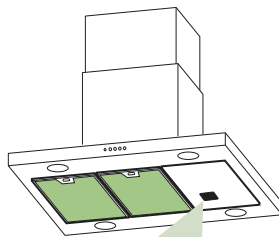
- Montér beskyttelsesristene, idet hakkene i positionen "FREE" skal befinde sig ud for hinanden, og drej dem over mod "LOCK".
- Sæt EASY CLEANING udsugningsenheden på emhætten igen ved at placere den og koble den fast til støttetappene.
- Drej spærregrebene eller stram spærhagerne.
- Forbind forsyningens og betjeningsanordningernes konnektorer med tilkoblingsstederne på siderne af udsugningsanordningen.
- Sæt lugtfilteret med aktivt kul på igen, såfremt det forefindes.
- Sæt fedtfilterne på igen.
- Tilkobl emhætten netforsyningen ved at aktivere den topolede afbryder, der er installeret på netforsyningen, eller hovedafbryderen.
- Kontrollér funktionen ved at tænde for motoren og lysene.



REKOMMENDATIONER OCH TIPS

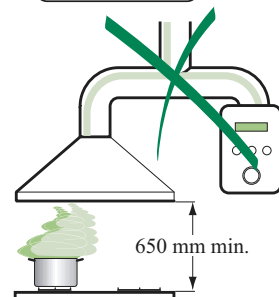
INSTALLATION

- Tillverkaren åtar sig inget ansvar för fel som beror på felaktig eller olämplig installation.
- Minsta tillåtna avstånd mellan spishäll och köksfläkt är 650 mm.
- Kontrollera att matningsnätets spänning motsvarar den som anges på märkskylten inuti köksfläkten.
- För Klass I-apparater, kontrollera att matningsnätet ger effektiv jordning.
- Anslut fläkten till frånluftkanalen via ett rör med en diameter på minst 120 mm. Anslutningsröret skall hållas så kort som möjligt.
- Anslut inte köksfläkten till frånluftkanaler som leder förbränningsgaser (från pannor, eldstäder etc.).
- Om fläkten används tillsammans med icke-elektriska spisar (t.ex. gasspisar) måste tillräcklig ventilation garanteras i lokalen för att förhindra backflöde av förbränningsgaser. Köket måste ha ett tilluftdon med direkt anslutning mot ytterluft för att garantera inflöde av friskluft.



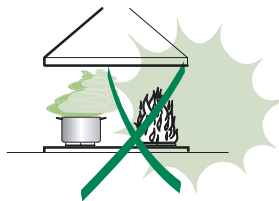
ANVÄNDNING

- Köksfläkten är uteslutande avsedd för hemanvändning, för att eliminera köksos.
- Använd aldrig köksfläkten för andra ändamål än det avsedda.
- Undvik höga flammor under köksfläkten medan fläkten är i drift.
- Justera gaslägan så att flammorna endast berör kokkärlets undersida och inte tränger upp längs dess sidor.
- Fritöser måste övervakas kontinuerligt under användning: Överhettad olja kan fatta eld.
- Köksfläkten skall inte användas av barn eller personer som inte är insatta i korrekt användning.
- Apparaten är inte avsedd att användas av barn eller handikappade personer utan övervakning.
- Tillaga inga flamberade maträtter under köksfläkten, då det finns risk för eldsvåda.
- Små barn skall hållas under övervakning så att de inte kan leka med apparaten.



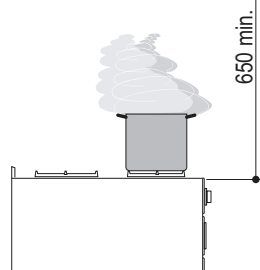
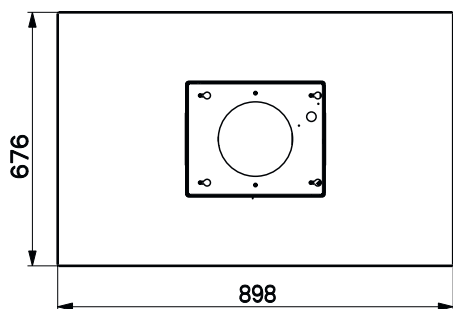
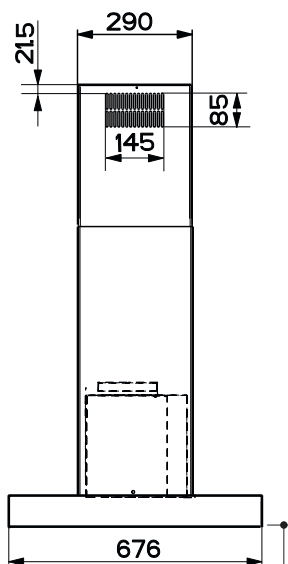
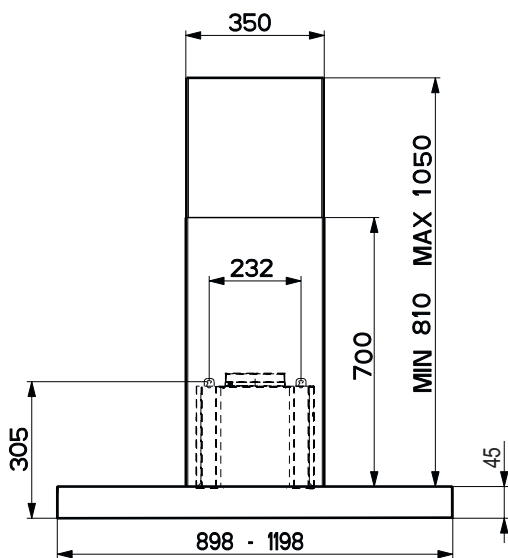
UNDERHÅLL

- Stäng av apparaten eller skilj den från matningsnätet innan något underhållsarbete utförs.
- Rengör och/eller byt filtren med angivet intervall.
- Rengör köksfläkten med en fuktig trasa och neutralt flytande diskmedel.

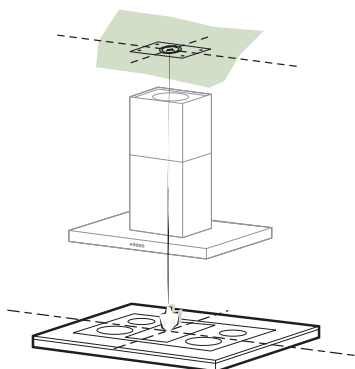


EGENSKAPER

Mått



INSTALLATION



Borring i vägg och fastsättning av konsoler

BORRNING I TAK/HYLLA

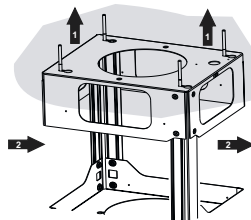
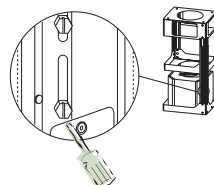
- Med hjälp av ett sänklod markera spishällens mittpunkt i taket/på hyllan.
- Placera den medföljande borrningsmallen **21** mot taket/hyllan, och låt dess mittpunkt sammanfalla med den projicerade mittpunkten och anpassa mallens axlar med spishällens axlar.
- Markera mallens hål.
- Borra följande hål:
 - Innertak i betong: enligt använd expansionsplugg för betong.
 - Innertak i tegelsten med luftrum, med en motståndskraftig tjocklek på 20 mm: \varnothing 10 mm (sätt omgående i de medföljande expansionspluggarna **11**).
 - Innertak i bjälklag: enligt använd träskruv.
 - Hylla i trä: \varnothing 7 mm.
 - Passage för elkabel: \varnothing 10 mm.
 - Luftutsläpp (sugande version): enligt anslutningsdiametern till den externa avledningen.
- Skruva fast 2 skruvar i kors (diagonalt) och lämna 4-5 mm från innertaket:
 - för betong, expansionsplugg för betong, medföljer inte.
 - för tegelsten med luftrum, med en motståndskraftig tjocklek på cirka 20 mm, de medföljande **12h** skruvarna.
 - för bjälklag, träskruv, medföljer inte.
 - för hylla i trä, medföljande skruvar **12g** med brickor **22** och muttrar **23**.

FASTSÄTTNING AV STATIV

- Lossa de två skruvarna som fäster den undre skorstenen och dra ut den från stativet (från den undre delen)
- Lossa de två skruvarna som fäster den övre skorstenen och dra ut den från stativet (från den övre delen)

Om du vill reglera höjden på stativet gå tillväga som följer:

- Skruva loss de åtta metriska skruvarna som förenar de båda kolonnerna, placerade på stativets sidor;
- Ställ in önskad höjd på stativet och skruva fast de tidigare borttagna åtta skruvarna;
- Sätt i den övre skorstenen uppifrån och lämna den fri på stativet;
- Lyft upp stativet, haka i öglorna på skruvarna och låt det glida ända tills stoppet;
- Skruva åt de två skruvarna och skruva fast de andra två medföljande;



Innan du slutligen dra åt skruvarna är det möjligt att utföra regleringar genom att vrida stativet men se till att skruvarna inte går ut ur regleröglans säte.

- Fastsättningen av stativet måste vara säker i förhållande till såväl kåpans vikt som tillfälliga tryck från sidan på monterad apparat. Efter slutlig fastsättning kontrollera därför att basen är stabil även om stativet utsätts för tryck från sidan.
- Hur som helst om innertaket inte är tillräckligt starkt i upphängningspunkten, ska installatören se till att förstärka den med lämpliga plattor och motplattor förankrade i strukturmässigt motståndskraftiga delar.

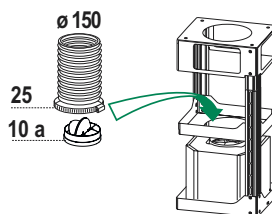
Anslutningar

LUFTUTSLÄPP UTSUGANDE VERSION

För installation i utsugande version anslut köksfläkten till utsläppsrörledningen med en styv eller böjlig slang, valet lämnas åt installatören.

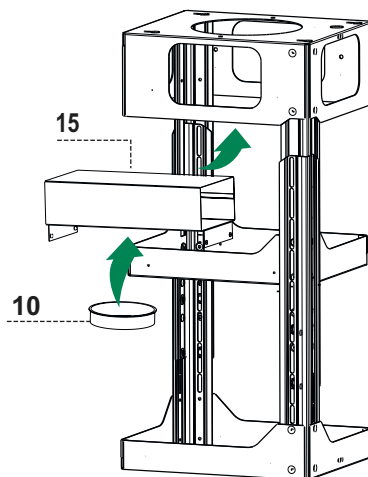
Anslutning med slang $\varnothing 150$

- För in flänsen med ventil **10a** $\varnothing 150$ på köksfläktstommens utsläpp.
- Fäst slangen med lämpliga slangklämmor. Nödvändigt material medföljer inte.
- Ta bort eventuella luftfilter med aktivt kol.



Luftutsläpp filtrerande version

- Fäst muff **15** på stativet med de medföljande 4 skruvarna.
- Spänn fast fläns **10** i det undre hålet på muff **15**.
- Anslut kåpans luftutlopp med flänsen som sitter under muffen med ett styvt rör eller slang \varnothing 150 mm, valet överlämnas till installatören

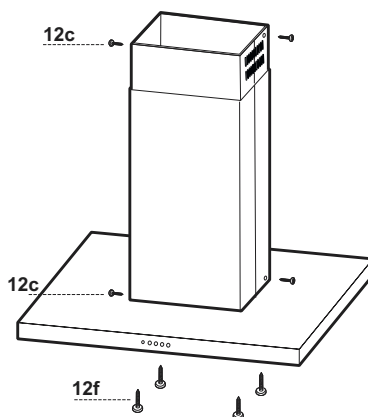


Montering av skorsten och festsättning av köksfläktsstommen

- Placera den övre skorstenen och fäst den i överdelen vid stativet med 2 medföljande **12c** (2,9x 9,5) skruvar.
- Placera den undre skorstenen på samma sätt och fäst den i underdelen vid stativet med 2 medföljande **12c** (2,9 x 9,5) skruvar.

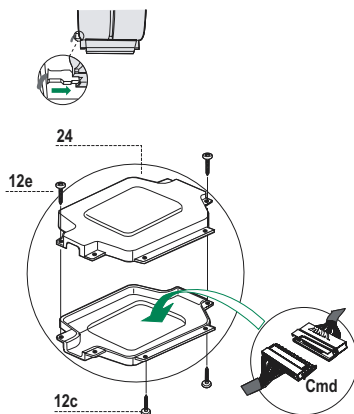
Innan du fäster köksfläktsstommen på stativet:

- Avlägsna fettfiltren från köksfläktsstommen;
- Avlägsna eventuella luftfilter med aktivt kol.
- Fäst därefter köksfläktsstommen underifrån på det förberedda stativet med de 4 medföljande skruvarna **12f** (M6 x 10).

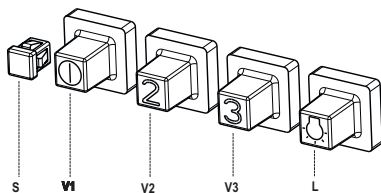


ELEKTRISK ANSLUTNING

- Anslut fläktkåpan till eluttaget och installera en tvåpolig brytare med en öppning på minst 3 mm emellan kontaktarna.
- Avlägsna fettfiltren (se avsnitt "Underhåll") och se till att nätsladdens kontaktdon är rätt isatt i fläkstens uttag
- Anslut kontaktdonet för kontrollerna **Cmd**.
- Lägg båda kontaktdonen i skyddsdosan **24** och skruva igen den med 2 medföljande **12e** (2,9 x 9,5) skruvar.
- Fäst skyddsdosan på köksfläktsstommen med 2 medföljande **12c** (2,9 x 6,5) skruvar.
- För den filtrerande versionen montera luktfiltern med aktivt kol.
- Montera fettfiltren på nytt.



ANVÄNDNING



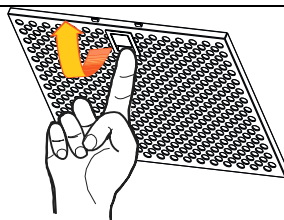
L	Tänder och släcker belysningen
S	Motor i drift
V1	Starta och stoppa motorn, samt startar en tyst minimum gång
V2	Startar medium effekten, den bästa ljud och effekt nivå för matlagning
V3	Startar max effekten, som används vid kraftigt osande matframställning

UNDERHÅLL

Fettfilter

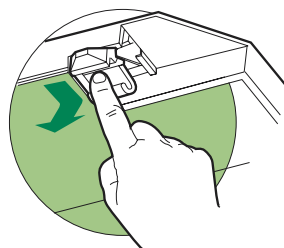
RENGÖRING AV SJÄLVBÄRANDE METALLFETTILTER

- Dessa kan även diskas i diskmaskin, de ska diskas varannan månad cirka eller oftare vid intensiv användning.
- Ta bort ett filter åt gången, genom att stödja dem med den ena handen och dra spaken nedåt med den andra handen.
- Diska filtren utan att böja dem. Låt filtren torka före återmonteringen.
- Montera filtren på nytt. Se till att handtaget vänder mot den synliga utsidan



Kolfilter

- byte av kolfilter:
- ta bort fettfiltren av metall
- ta bort de igensatta kolfiltren
- sätt tillbaka fettfiltren av metall

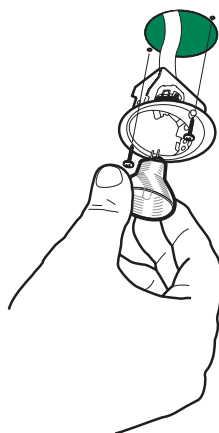


Belysning

BYTE AV LAMPOR

Halogenlampor, 20W

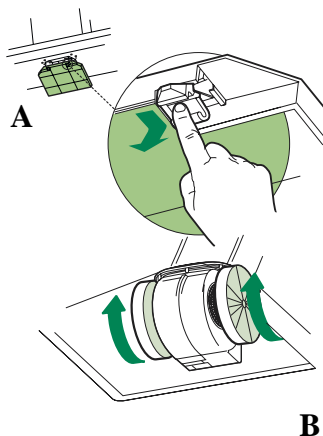
- Ta bort de två skruvarna som fäster lamphållaren och dra ut den ur köksfläkten.
- Dra ut lampan ur hållaren.
- Byt ut lampan mot en ny med samma egenskaper. Sätt in de två piggarna korrekt i hållarens säte.
- Montera hållaren på nytt med de två skruvarna.



Borttagning av fettfilter.

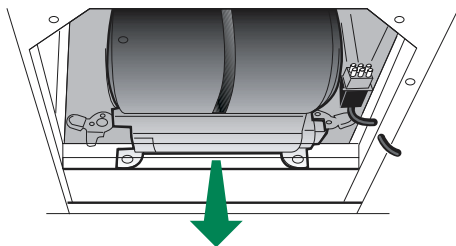
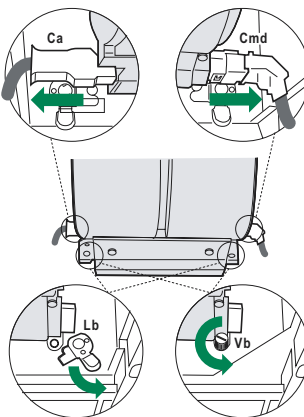
Innan du påbörjar underhållet av utsugningsenheten EASY CLEANING:

- Slå ifrån köksfläkten med den bipolära brytaren installerad på försörjningsnätet eller med huvudströmbrytaren.
- Ta ut fettfiltren ur köksfläkten.
- Ta ut luftfiltren, vid köksfläkt i filtrerande version:
- För köksfläktar med plan kassett (**A**): använd de speciella hakarna;
- För köksfläktar med bajonettkassetter (**B**): vrid som visas på bilden och dra ut.



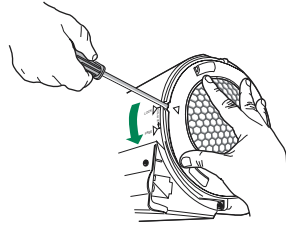
Friläggning av utsugningsenheten EASY CLEANING

- Koppla från starkströmskontakten **Ca** och den för reglagen och belysningen **Cmd** som sitter på enhetens sidor.
- För väggmonterade köksfläktar och de med ö med skorsten med rektangulär sektion, vrid låsningsspakarna **Lb** på utsugningsenheten, och haka av dem från stiften.
- På köksfläktarna med ö och rund skorstenssektion, skruva loss spärhakarna **Vb** på utsugningsenheten.
- Dra utsugningsenheten framåt så att den friläggs från stödstiften dra ut den nedåt från luftutsläppet.

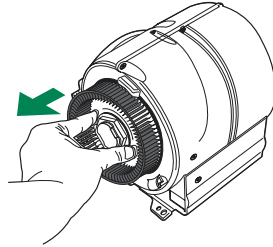


Demontering av de diskbara delarna

- För att avlägsna skyddsgallren på sidorna av fläkthjulen, lyft upp låstandet med spetsen av en skruvmejsel eller kniv och vrid dem i pilens riktning.

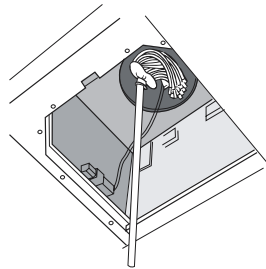
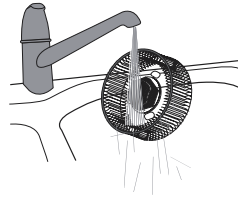


- Ta tag i fläkthjulen i de förberedda hålen och dra ut dem.



RENGÖRING

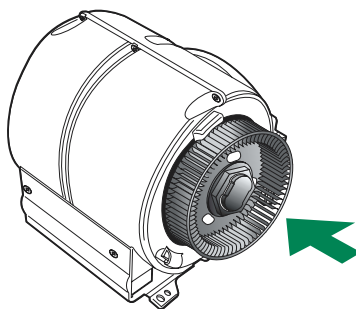
- Diska fläkthjulen och skyddsgallren med normalt diskmedel. De kan även diskas i diskmaskin.
- Rengör utsugningsenheten med en fuktig trasa och lämpligt rengöringsmedel, men ge noga akt på att inte vatten kommer in i enheten och i kontaktens säten.
- Torka den väl innan du monterar tillbaka den.
- Rengör luftutsläppskanalen så långt det är möjligt med en borste.



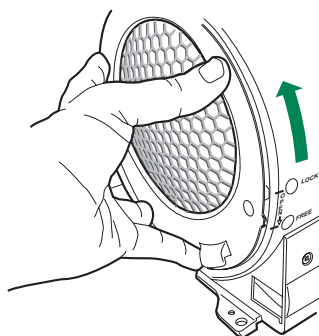
ÅTERMONTERING

N.B. För att undvika omvända monteringar, har fläkthjulen differentierade kopplingar.

- Montera fläkthjulen på de motsvarande stiften och tryck tills du hör klicket för fasthakningen.



- Montera skyddsgallren och låt tänderna sammanfalla i läge "FREE" och vrid dem mot "LOCK".
- Montera utsugningsenheten EASY CLEANING på köksfläkten, sätt i den i läge och haka fast den på stödstiften.
- Vrid låsspakarna, eller skruva fast spärrharkarna.
- Anslut kraftförsörjningskontakten och den för reglagen till uttagen som sitter på utsugningsenhetens sidor.
- Montera eventuella luktfilter med aktivt kol.
- Montera fettfiltren på nytt.
- Slå på köksfläkten med den bipolära brytaren installerad på försörjningsnätet eller med huvudströmbrytaren.
- Kontrollera funktionen genom att starta motorn och tända belysningen.



ANBEFALINGER OG FORSLAG

INSTALLASJON

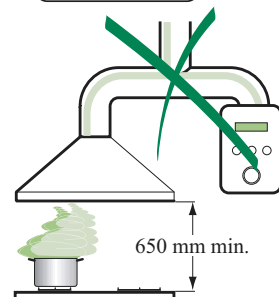
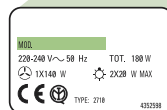
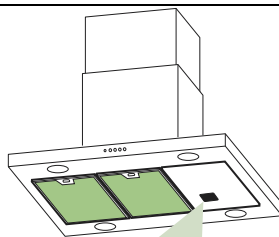
- Produsenten skal ikke kunne holdes ansvarlig for eventuelle skader som oppstår som følge av feil eller ufullstendig montering.
- Minimum sikkerhetsavstand mellom komfyrtoppen og viftehetten er 650 mm.
- Kontroller at nettspenningen er i overensstemmelse med spenningen som er angitt på merkeplaten på innsiden av hetten.
- For utstyr i klasse I må det kontrolleres at strømforsyningen garanterer tilstrekkelig jording.
- Koble sugeviften til avtrekkskanalen gjennom et rør med en minimumsdiameter på 120 mm. Trekkkanalens rute må være så kort som mulig.
- Ikke koble viftehetten til avtrekkskanaler med forbrenningsgasser (kjeller, ildsteder osv.).
- Hvis sugeviften brukes sammen med ikke-elektriske apparater (f.eks. gassapparater), må det sørges for tilstrekkelig lufting i rommet for å hindre tilbakestrømning av avgass. Kjøkkenet må ha en direkte åpning til fri luft for å garantere tilførsel av ren luft.

BRUK

- Viftehetten er utviklet utelukkende for hjemmebruk for å motvirke lukter på kjøkkenet.
- Bruk aldri hetten til andre formål enn den er beregnet for.
- Tillat aldri høye, åpne flammer under hetten når den er i bruk.
- Juster flammestyrken slik at bare bunnen av gryten omslutes, og ikke sidene.
- Frityrkokere må overvåkes kontinuerlig under bruk: overopphetet olje kan ta fyr.
- Hetten må ikke brukes av barn eller personer som ikke har fått opplæring i korrekt bruk.
- Utstyret er ikke beregnet for bruk av unge barn eller sykelige personer uten tilsyn.
- Ikke flambér under kjøkkenviften pga. brannfaren.
- Unge barn må ha tilsyn slik at de ikke finner på å leke med apparatet.

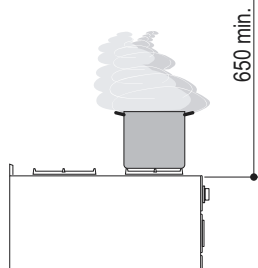
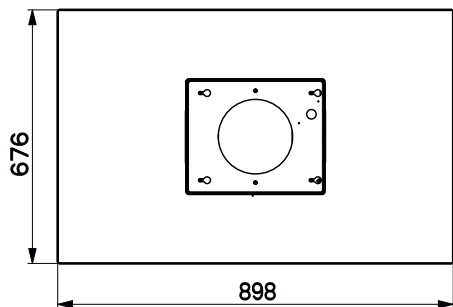
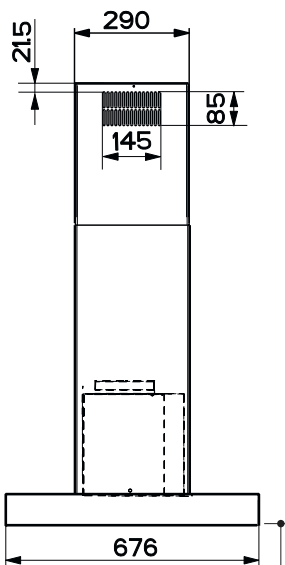
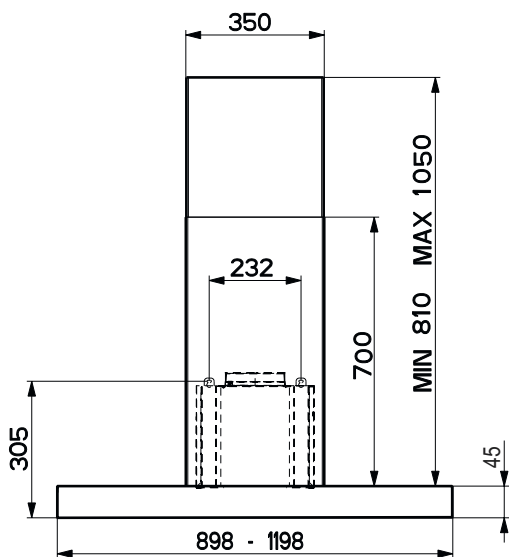
VEDLIKEHOLD

- Slå av eller koble apparatet fra strømmettet før det utføres vedlikeholdsarbeid.
- Rengjør og/eller skrift ut filterne etter angitt tid.
- Rengjør hetten med en fuktig klut og et nøytralt, flytende rensmiddel.



EGENSKAPER

Dimensjoner

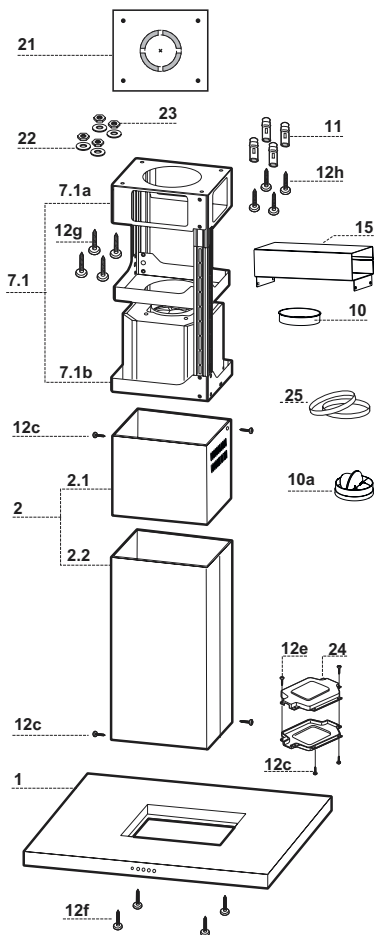


Deler

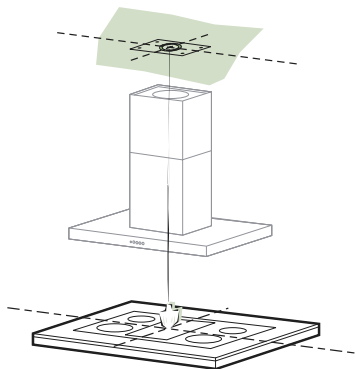
Ref.	Antall	Produktets deler
1	1	Kjøkkenviftens hoveddel komplett med: Kontroller, lys, filtere.
2	1	Uttrekkbart røkrør; består av:
2.1	1	Øverste røkrør
2.2	1	Nederste røkrør
7.1	1	Uttrekkbart beslag med sugesystem; består av:
7.1a	1	Øverste beslag
7.1b	1	Nederste beslag
10	1	Flens med en diameter på 150
10a	1	Flens med en diameter på 150 mm med ventil
15	1	Luftutløpskopling
24	1	Tilkoplingsboks
25	2	Slangeklemmer

Ref.	Antall	Installasjonsdeler
11	4	Ekspansjonsplugger med en diameter på 10 mm
12c	6	Skruer 2,9 x 6,5
12e	2	Skruer 2,9 x 9,5
12f	4	Skruer M6 x 10
12g	4	Skruer M6 x 80
12h	4	Skruer 5,2 x 70
21	1	Boremal
22	4	Skiver med en innvendig diameter på 6,4 mm
23	4	Mutrer M6

Antall	Dokumentasjon
1	Bruksveiledning



INSTALLASJON



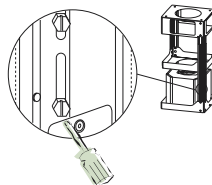
Boring av hull i veggen og festing av konsollene

BORING AV HULL I TAKET/HYLLEN

- Ved hjelp av en blytråd må du merke av midten på platetoppen i taket/hyllen.
- Støtt boremalen **21** (følger med) til taket/hyllen. Midten på kjøkkenviften må passe sammen med det avmerkete midtpunktet, og midtlinjen til boremalen må være på linje med midtlinjen til platetoppen.
- Merk av midten til hullene til boremalen.
- Bor hull i de følgende punktene:
 - Betongtak: Alt etter hvilken type ekspansjonsplugg som brukes.
 - Teglsteinstak med lufte-rom mellom (tykkelsen på bærelaget er 20 mm): 10 mm i diameter. Før inn ekspansjonspluggene **11** (følger med) med en gang.
 - Trebjelker: Alt etter hvilken type skruer til tre som brukes.
 - Trehyll: 7 mm i diameter.
 - Passasje for nettkabelen: 10 mm i diameter.
 - Luftutløp (sugeversjon): Alt etter diameteren til tilkopling til det eksterne utløpsrøret.
- Skru inn to skruer på kryss og la dem stikke 4-5 mm ut fra taket:
 - Betongtak: Ekspansjonsplugg til betong (følger ikke med).
 - Teglsteinstak med lufte-rom mellom (tykkelsen på bærelaget er 20 mm): Skruer **12h** (følger med).
 - Trebjelker: Skruer til tre (følger ikke med).
 - Trehyll: Skruer **12g** med skiver **22** og mutrer **23** (følger med).

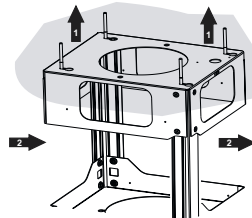
FESTING AV BESLAGET

- Skru løs de to skruene som fester det nederste røkrøret og trekk det ut fra beslaget (underfra).
- Skru løs de to skruene som fester det øverste røkrøret og trekk det ut fra beslaget (ovenfra).



Dersom du ønsker å justere høyden til beslaget må du gå frem som følger:

- Skru løs de åtte metriske skruene som forener de to søylene som er plassert på sidene til beslaget.
- Juster ønsket høyde til beslaget og skru til de åtte skruene igjen.
- Før inn det øverste røkrøret ovenfra uten å feste det til beslaget.
- Løft beslaget, plasser festeåpningene inn på skruene og la det gli helt inn.
- Stram de to skruene og skru inn de to andre skruene (følger med).



Før du strammer skruene helt er det mulig å utføre justeringer ved å flytte på beslaget. Pass på at skruene ikke glir ut av festeåpningen.

- Beslaget må festes på en sikker måte i forhold til kjøkkenviftens vekt og eventuelle belastninger som følge av at du kan komme tilfeldig borti kjøkkenviftens sider. Når du er ferdig med å feste beslaget må du kontrollere at basen er stabil selv om beslaget bøyes.
- I alle tilfeller hvor taket ikke er tilstrekkelig kraftig ved opphengingsstedet, må du sørge for å forsterke taket med egnede plater og motplater festet til kraftige konstruksjonsdeler.

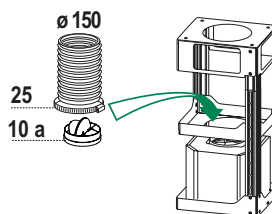
Tilkoplinger

LUFTUTLØP FOR SUGEVERSJON

Før installasjon av kjøkkenviften i sugeversjon må du kople kjøkkenviften til utløpsrøret med et rør eller en slange (etter eget valg).

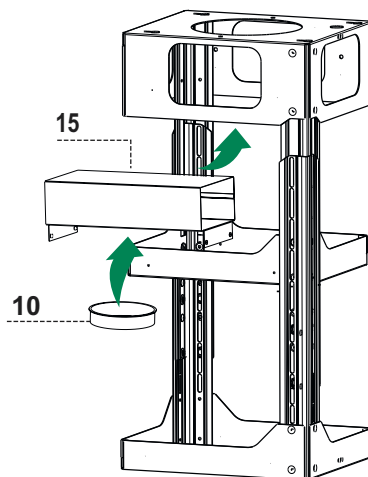
Tilkopling av rør med en diameter på 150 mm

- Før flensen med en diameter på 150 mm **10a** med ventil inn på utløpet fra kjøkkenviftens hoveddel.
- Fest røret med egnede slangeklemmer. Nødvendig materiale følger ikke med.
- Fjern eventuelle aktive kullfiltre.



Luftutløp for filtreringsversjon

- Fest koplingen **15** til beslaget med de fire skruene som følger med.
- Før flensen **10** i det nederste hullet på koplingen **15**.
- Kople kjøkkenviftens luftutløp til flensen under koplingen med et rør eller en slange med en diameter på 150 mm (etter eget valg).

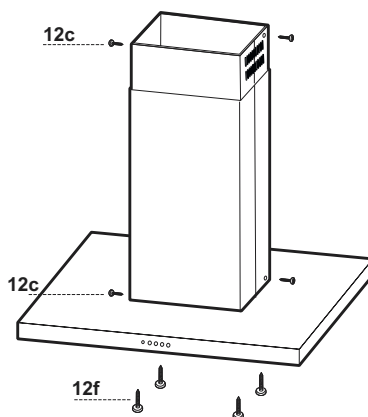


Montering av røkrøret og festing av kjøkkenviftens hoveddel

- Plasser det øverste røkrøret og fest den øverste delen til beslaget med de to skruene **12c** (2,9 x 6,5) (følger med).
- På samme måte, plasser det nederste røkrøret og fest den nederste delen til beslaget med de to skruene **12c** (2,9 x 6,5) (følger med).

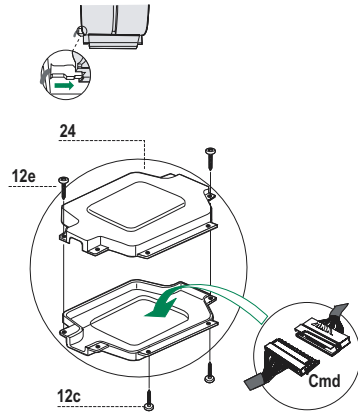
Før du fester kjøkkenviftens hoveddel til beslaget:

- Ta ut fettfiltrene fra kjøkkenviftens hoveddel.
- Fjern eventuelle aktive kullfiltre.
- Fest deretter kjøkkenviftens hoveddel til beslaget underfra med de fire skruene **12f** (M6 x 10) (følger med).

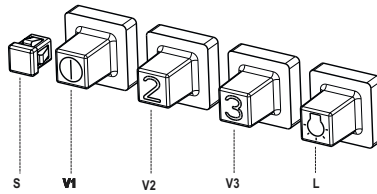


ELEKTRISK TILKOPLING

- Kople kjøkkenviften til strømmettet med en topolet bryter med en kontaktåpning på minst 3 mm.
- Fjern fettfiltrene (se avsnittet Vedlikehold) og kontroller at koplingsstykket til nettkabelen er korrekt innført i stikkkontakten til sugesystemet.
- Kople koplingsstykket til kontrollene **Cmd**.
- Plasser begge koplingsstykkene i beskyttelsesboksen **24** og lukk den igjen med de to skruene **12e** (2,9 x 9,5) (følger med).
- Fest beskyttelsesboksen til kjøkkenviftens hoveddel med de to skruene **12c** (2,9 x 6,5) (følger med).
- For filtreringsversjonen må du montere det aktive kullfilteret.
- Gjenmonter fettfiltrene.



BRUK



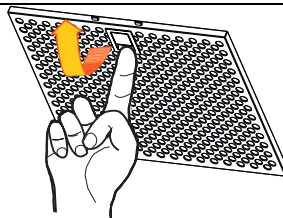
L	Lys	Tenner og slukker belysningen.
S	Led	Viser at motoren er slått på.
V1	Motor	Tenner og slukker innsugningsmotoren ved min. hastighet. Denne hastigheten er egnet til spesielt lydløs kontinuerlig luftsirkulasjon når det er lite matos.
V2	Hastighet	Middels hastighet som er egnet til de fleste bruksforholdene. Forholdet luftstrømning og lydnivå er ideelt.
V3	Hastighet	Maks. hastighet som er egnet til forhold hvor det er mye matos også over lengre tid.

VEDLIKEHOLD

Fettfiltre

RENGJØRING AV DE SELVBÆRENDE METALLISKE FETTFILTRENE

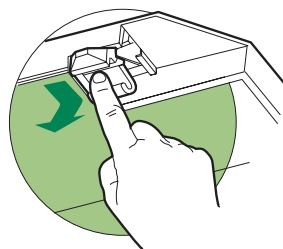
- Filtrene kan vaskes også i oppvaskmaskinen. De må vaskes ca. hver andre måned eller oftere avhengig av bruksforholdene.
- Fjern filtrene ett av gangen. Støtt dem med en hånd mens du trekker spaken nedover med den andre hånden.
- Vask filtrene. Pass på at du ikke bøyer dem. La dem tørke før du monterer dem igjen.
- Gjenmonter filtrene. Pass på at håndtaket er rettet mot den synlige utsiden.



Kullfilter, filtrerende versjon

UTSKIFTING AV KULLFILTERET

- Dette filteret kan ikke vaskes eller brukes om igjen. Det skal skiftes ut minst hver fjerde måned eller oftere avhengig av bruksforholdene.
- Fjern fettfiltrene av metall.
- Hekt av kullfilteret.
- Hekt det nye filteret på i dets sete.
- Monter fettfiltrene av metall igjen.

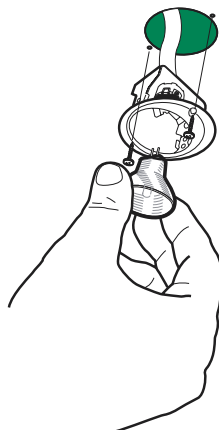


Belysning

BYTTE AV LYSPÆRENE

Halogenpærer på 20 W.

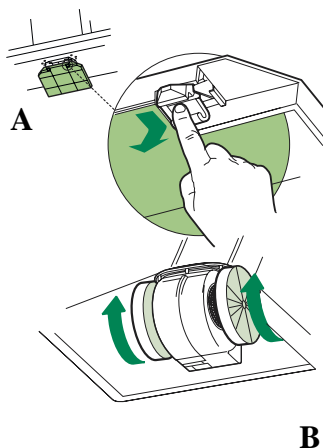
- Ta ut de to skruene som fester belysningsstøtten og trekk den ut fra kjøkkenviften.
- Ta lyspæren ut fra støtten.
- Bytt lyspæren ut med en av samme type. Pass på at du fører de to pluggene korrekt inn i støttens sete.
- Monter støtten igjen og fest den med de to skruene.



Fjerning av fettfiltrene

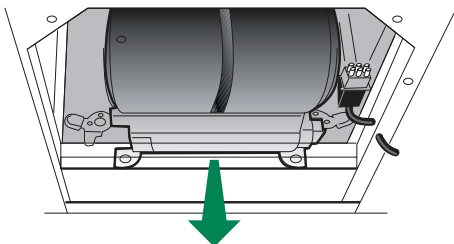
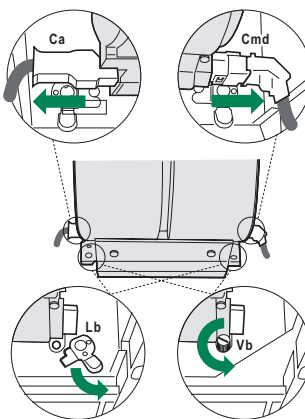
Gjør som følger før du utfører vedlikehold på sugesystemenheten EASY CLEANING:

- Frakoble kjøkkenviften med den topoletede bryteren på strømmettet eller med hovedbryteren.
- Ta fettfiltrene ut av kjøkkenviften.
- Fjern de aktive kullfiltrene (filtreringsversjon):
- For kjøkkenvifter med flat patron (A): Grip inn på de dertil bestemte krokene.
- For kjøkkenvifter med bajonettpatroner (B): Drei som vist og trekk ut.



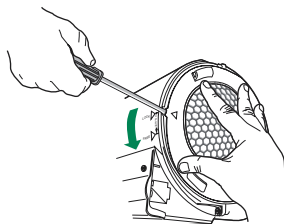
Avheking av sugesystemenheten EASY CLEANING

- Frakoble nettkabelens koplingsstykke **Ca** og kontrollenes og belysningens koplingsstykke **Cmd** som er plassert på siden av enheten.
- På kjøkkenvifter som monteres på veggen og frittstående kjøkkenvifter med røkrør med rektangulært tverrsnitt må du dreie sperrespakene **Lb** til sugesystemenheten og hekte dem av stiftene.
- På frittstående kjøkkenvifter med røkrør med rundt tverrsnitt må du skru løs sperrehakene **Vb** til sugesystemenheten.
- Trekk sugesystemenheten fremover slik at den kan hektes av støttetistifene og trekkes nedover og ut fra luftutløpet.

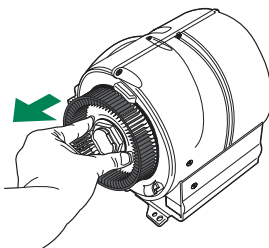


Demontering av delene som kan vaskes

- For å fjerne beskyttelsesristene på siden av viftebladene må du løfte sperreanordningen med spissen til et skrujern eller en kniv og dreie dem i pilens retning.



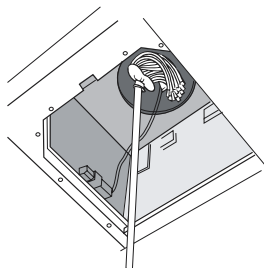
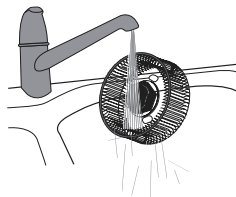
- Ta tak i viftebladene i de bestemte hullene og trekk dem ut.



RENGJØRING

- Rengjør viftebladene og beskyttelsesristene med vanlig oppvaskmiddel. Delene kan også vaskes i oppvaskmaskinen.
- Rengjør sugesystemenhetens hoveddel med en fuktig klut og et egnet vaskemiddel. Pass på at det ikke trenger vann inn i enheten og kopplingsstykkenes sete.
- La delene tørke skikkelig før du monterer dem igjen.

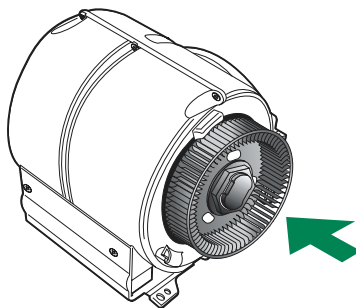
- Bruk en kost og rengjør utløpsrøret så langt opp som mulig.



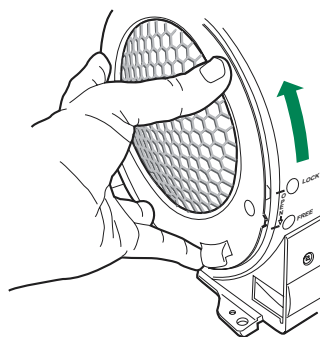
GJENMONTERING

NB.: For ikke å bytte om monteringsretningen har viftebladene ulike fester.

- Gjenmonter viftebladene på de tilhørende stiftene. Trykk helt til de hektes på plass.



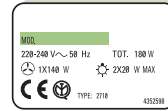
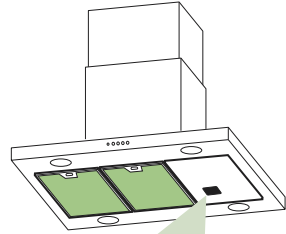
- Pass på at sperreanordningene står i posisjon "FREE" og monter beskyttelsesristene. Drei deretter beskyttelsesristene mot "LOCK".
- Gjenmonter sugesystemenheten EASY CLEANING på kjøkkenviften ved å plassere den i rett posisjon og så hekte den på støttestiftene.
- Drei sperrespakene eller skru inn sperrehakene.
- Kople nettkabelens koplingsstykke og kontrollenes koplingsstykke til kontaktene på siden av sugesystemet.
- Gjenmonter eventuelle aktive kullfiltre.
- Gjenmonter fettfiltrene.
- Kople kjøkkenviften til strømnettet med den topolete bryteren på strømnettet eller med hovedbryteren.
- Kontroller at alt fungerer ved å tenne motoren og belysningen.



SUOSITUKSET JA EHDOTUKSET

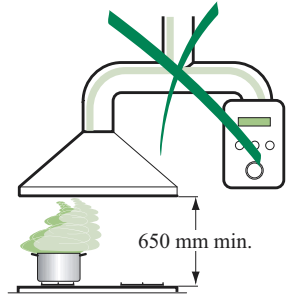
ASENNUS

- Valmistaja ei vastaa virheellisestä tai huolimattomasta asennuksesta aiheutuvista vahingoista
- Pienen sallittu turvaväli liesitason ja liesikuvun välillä on 650 mm.
- Tarkista, että käytettävän sähköverkon jännite vastaa liesikuvun sisäpuolella olevaan arvokilpeen merkittyä jännitettä.
- Kytke laite vain maadoitettuun pistorasiaan.
- Yhdistä liesituuletin hormiin putkella, jonka halkaisija on vähintään 120 mm. Hormiin menevän putken on oltava mahdollisimman lyhyt.
- Älä yhdistä liesituuletinta savuhormiin (lämmityskattilat, tulisijat, jne.).
- Mikäli liesituuletinta käytetään muiden kuin sähkölaitteiden (esim. kaasuhella) yhteydessä, on huolehdittava työskentelytilan riittävästä tuuletuksesta, etteivät poistettavat kaasut pääse virtaamaan takaisin työskentelytilaan. Keittiössä on oltava ilmanvaihtoaukko puhdasta tuloilmaa varten.



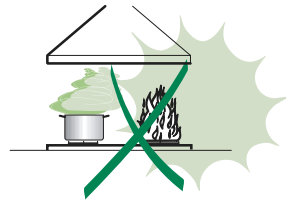
KÄYTTÖ

- Liesituuletin on tarkoitettu vain kotitalouskäyttöön.
- Älä koskaan käytä liesituuletinta muuhun tarkoitukseen kuin, mihin se on suunniteltu.
- Älä koskaan jätä avotulta liesituulettimen alle liesituulettimen ollessa käynnissä.
- Säädä liekin teho siten, että liekki kohdistuu vain astian pohjaan eikä sen reunoille.
- Syviä paistinpannuja on paiston aikana koko ajan pidettävä silmällä, sillä ylikuumentunut öljy voi leimahtaa tuleen.
- Lapset tai henkilöt, joita ei ole opastettu laitteen oikeaan käyttöön, eivät saa käyttää liesituuletinta.
- Liesikuvun alla ei saa valmistaa liekitettäviä ruokia: tulipalon vaara
- Lapset eivät saa leikkiä laitteella.



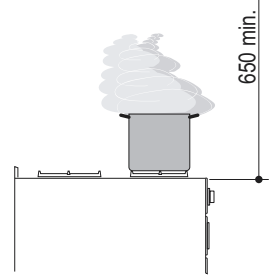
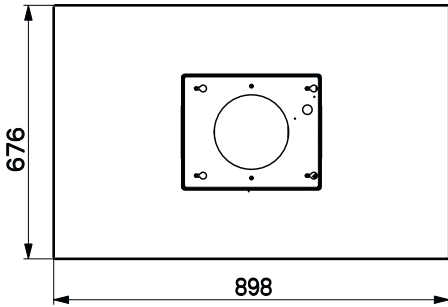
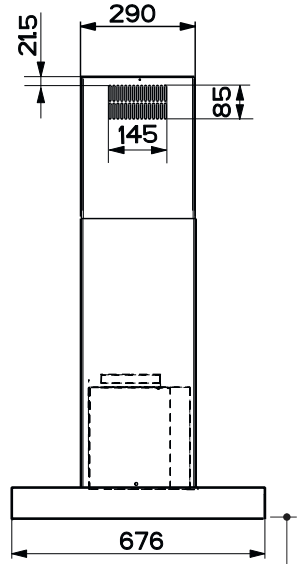
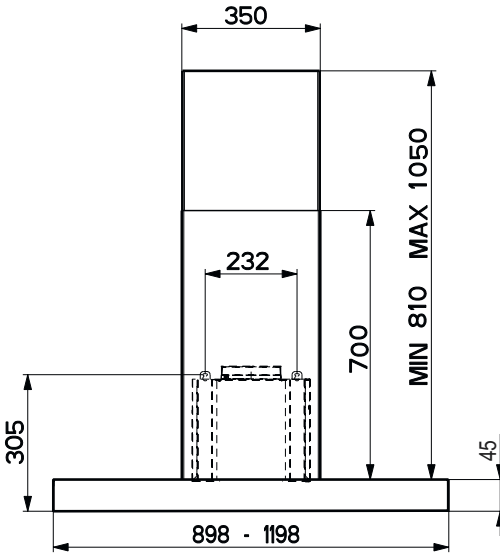
HUOLTO

- Sulje laite tai irrota sen pistoke pistorasiasta ennen hoitoa.
- Puhdista ja/tai vaihda suodattimet annetun ajan kuluttua.
- Puhdista liesituuletin kostealla kankaalla ja miedolla, nestemäisellä pesuaineella.



MITAT JA OSAT

Mitat

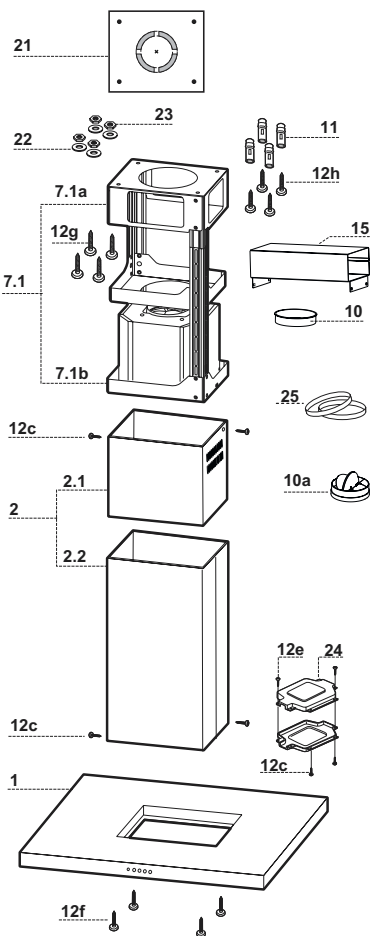


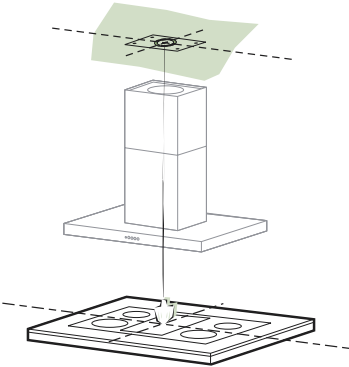
Osat

Nro	Lkm	Tuotteen osat
1	1	Runko, johon kuuluvat: Kytkimet, valo, suodattimet
2	1	Teleskooppihormi, johon kuuluvat:
2.1	1	Ylempi hormi
2.2	1	Alempi hormi
7.1	1	Imulaitteella varustettu teleskooppinen kehikko, johon kuuluvat:
7.1a	1	Ylempi kehikko
7.1b	1	Alempi kehikko
10	1	Laippa ø 150
10a	1	Laippa ø 150 suuntaisventtiilillä
15	1	Ilman ulostuloliitos
24	1	suojakoteloon
25	2	Putken pinne

Nro	Lkm	Asennusosat
11	4	Tulppa ø 10
12c	6	Ruuvi 2,9 x 9,5
12e	2	Ruuvi 2,9 x 6,5
12f	4	Ruuvi M6 x 10
12g	4	Ruuvi M6 x 80
12h	4	Ruuvi 5,2 x 70
21	1	Porausmalline
22	4	Välirengas ø 6,4
23	4	Mutteri M6

Lkm	Asiakirjat
1	Käyttöopas





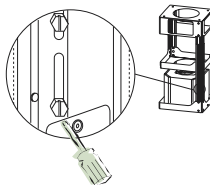
Katon/hyllyn poraaminen ja kehikon kiinnitys

KATON/HYLLYN PORAAMINEN

- Merkitse luotilangan avulla keittotason keskipiste kattoon/hyllyyn.
- Aseta kattoon/hyllyyn toimitettu liesituulettimen malline **21** siten, että keskipiste tulee kohdalleen ja että keittotason ja mallineen sivut ovat samalla kohdalla.
- Merkitse mallineen reikien keskipisteet.
- Poraat reiät seuraavalla tavalla:
 - Massiivibetonikatto: käytettyjen betonimuuriankkurien mukaan.
 - Tiilinen välikatto, kestävä paksuus 20 mm: \varnothing 10 mm (laita heti paikalleen toimitetut tulpat **11**).
 - Puupalkkikatto: käytettyjen puuruuvien mukaan.
 - Puuhylly: \varnothing 7 mm.
 - Virtajohdon aukko: \varnothing 10 mm.
 - Ilman ulostulo (Imuversio): ulkopuolisen poistoputken halkaisijan mukaan.
- Ruuvaa kaksi ruuvia vastakkaisiin kulmiin ja jätä niiden kanta noin 4 - 5mm:n etäisyydelle seinästä:
 - Massiivibetoniin, betonimuuriankkurit, eivät kuulu toimitukseen.
 - Tiiliseen välikattoon, kestävä paksuus noin 20 mm, toimitetut ruuvit **12h**.
 - Puupalkkikattoon, puuruuvit, eivät kuulu toimitukseen.
 - Puuhyllyyn, toimitetut ruuvit **12g**, välirenkaat **22** ja mutterit **23**.

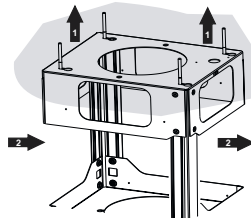
KEHIKON KIINNITYS

- Ruuvaa auki kaksi ruuvia, jotka kiinnittävät alemman hormin ja irrota se kehestä (alakautta).
- Ruuvaa auki kaksi ruuvia, jotka kiinnittävät ylemmän hormin ja irrota se kehestä (yläkautta).



Jos haluat säätää kehon korkeutta, toimi seuraavalla tavalla:

- Ruuvaa auki kehon reunojen kahdeksan metriruuvia, jotka kiinnittävät sivupalkit toisiinsa.
- Säädä haluamasi kehon korkeus ja ruuvaa kiinni avaamasi ruuvit.
- Työnnä ylempi hormi paikalleen yläkautta ja anna sen olla kehon päällä vapaana.
- Nosta kehoa, kiinnitä aukot ruuveihin ja työnnä paikalleen.
- Kiristä kaksi ruuvia ja myös toiset kaksi toimitettua ruuvia.



Ennen ruuvien lopullista kiristämistä kehoa voidaan säätää siirtämällä sitä. Varo kuitenkin, etteivät ruuvit tällöin irtoa aukoistaan.

- Kehon kiinnityksen tulee olla varma, siinä on otettava huomioon sekä liesituulettimen paino että laitteeseen mahdollisesti kohdistuvat sivurasitukset. Kun laite on kiinnitetty on tarkistettava, että pohja on tukeva vaikka keho olisi taivutusjännityksen alainen.
- Mikäli katto ei ole tarpeeksi vahva kiinnityskohdassa, asentajan täytyy vahvistaa sitä laatoilla ja vastalaatoilla, jotka kiinnitetään rakenteellisesti vahvoihin kohtiin.

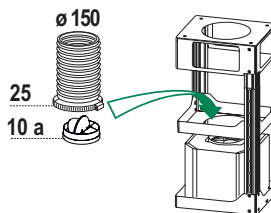
Liitännät

IMUVERSION ILMAN ULOSTULO

Imuversio asennetaan liittämällä liesituuletin ilman ulostuloon jäykällä tai taipuisalla putkella asentajan valinnan mukaan.

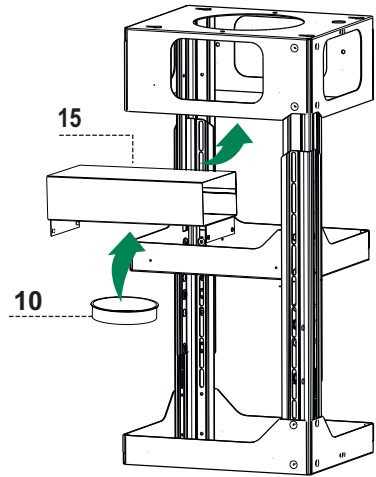
Putkiliitäntä $\varnothing 150$

- Laita laippa **10a**, $\varnothing 150$, liesituulettimen rungon ulostuloon.
- Kiinnitä putki sopivilla puristimilla. Materiaali ei kuulu toimintukseen.
- Molemmissa tapauksissa mahdolliset aktiivihiilisuodattimet täytyy poistaa.



Suodatusversion ilmanpoisto

- Asenna ilman ulostuloliitos **15** teleskooppiseen kehiin. Käytä em. toimipiteeseen 4 mukana tulevaa ruuvia.
- Sovita laippa **10** ilman ulostuloliitoksen **15** alempaan aukkoon.
- Yhdistä tuulettimen ilman ulostuloaukko liitososan alla olevaan laippaan asentajan valitsemalla joko jäykällä tai taipuisalla $\varnothing 150$ mm:n putkella.

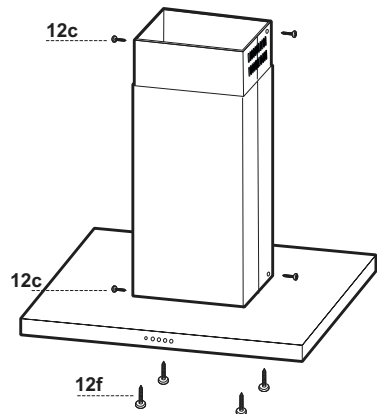


Hormin kokoaminen ja kiinnittäminen liesituulettimen runkoon

- Sijoita ylempi hormi paikalleen ja kiinnitä se kehikon yläosaan kahdella toimitetulla ruuvilla **12c** (2,9 x 9,5).
- Sijoita sitten alempi hormi paikalleen ja kiinnitä se kehikon alaosaan kahdella toimitetulla ruuvilla **12c** (2,9 x 9,5).

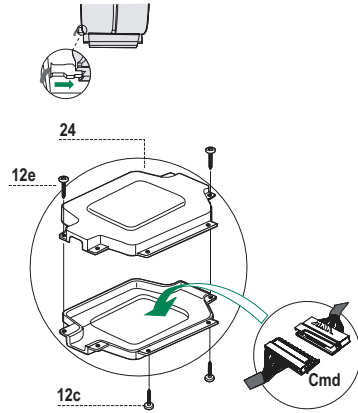
Ennen liesituulettimen rungon kiinnittämistä kehiin:

- Poista rasvasuodattimet rungosta.
- Poista mahdolliset aktiivihiilisuodattimet.
- Kiinnitä sitten liesituulettimen runko kehiin alakautta neljällä toimitetulla ruuvilla **12f** (M6 x 10).

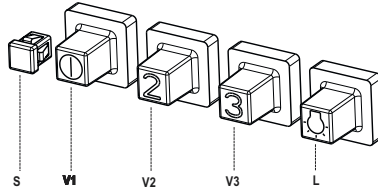


SÄHKÖLIITÄNTÄ

- Liitä liesituuletin sähköverkkoon turvakytkimen kautta, jonka koskettimien väli on ainakin 3 mm.
- Poista rasvasuodattimet (katso kappaletta "Huolto") ja varmista, että virtajohdon liitin on kunnolla kiinni imulaitteessa.
- Liitä kytkimien liitin **Cmd**.
- Vie molemmat liittimet suojakoteloon **24** ja sulje se kahdella toimitetulla ruuvilla **12e** (2,9 x 9,5).
- Kiinnitä suojakotelo liesituulettimen runkoon kahdella toimitetulla ruuvilla **12c** (2,9 x 6,5).
- Suodatinversioon täytyy asentaa aktiivihiilihaigusuodatin.
- Laita paikalleen rasvasuodattimet.



KÄYTTÖ



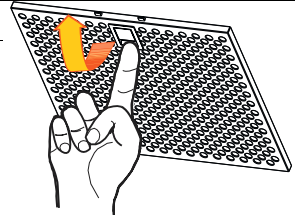
L	Valot	Sytyttää ja sammuttaa valaistuksen.
S	Loistediodi	Moottorin käynnistystä ilmaiseva loistediodi.
V1	Moottori	Säätää moottorin tehon pienimmälle toimintanopeudelle. Jatkuva, hiljainen tuuletus, joka soveltuu vähäistä höyrymäärää tuottavaan ruoanlaittoon.
V2	Nopeus	Keskinopeus, joka soveltuu melkein jokaiseen ruoanlaittilanteeseen. Paras teho/melu -suhde.
V3	Nopeus	Tehonopeus. Soveltuu tilanteeseen, jossa ruoanlaitosta aiheutuvat höyryt ja käryt ovat suurimmillaan pidempiäkin aikoja.

HUOLTO

Rasvasuodattimet

METALLISTEN RASVASUODATTIMIEN PUHDISTUS

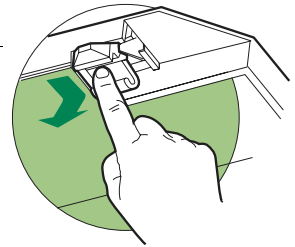
- Suodattimet voidaan pestä myös astianpesukoneessa. On suositeltavaa pestä ne joka toinen kuukausi. Jos tuulettimen käyttö on erikoisen runsasta, suositellaan suodattimien pesua useammin.
- Poista suodattimet yksi kerrallaan; kannata toisella kädellä suodatinta ja samanaikaisesti vedä haka alas päin toisella kädellä.
- Pese suodattimet. Vältä niiden taivutusta. Anna niiden kuivua ennen uudelleen asennusta.
- Asenna suodattimet uudelleen paikoilleen. Varmista, että suodattimien poistokahva jää ulkopuolelle näkyviin.



Aktiivihiilisuodatin (Kiertoilmaversio)

AKTIIVIHIIILISUODATTIMEN VAIHTO

- Aktiivihiilisuodatinta ei voi pestä. Se vaihdetaan neljän kuu-kauden väliajoin tai useimmin, mikäli tuulettimen käyttö on erityisen runsasta.
- Poista metalliset rasvasuodattimet.
- Poista keittiöhajujen kyllästämä aktiivihiilisuodatin vetämällä sen hakasista.
- Aseta uusi suodatin paikalleen.
- Aseta metalliset rasvasuodattimet uudelleen paikoilleen.

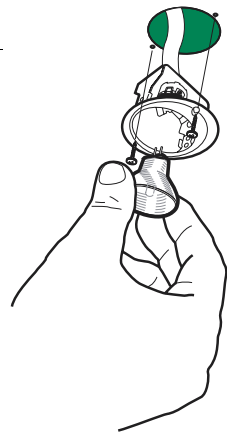


Valo

LAMPUN VAIHTAMINEN

Halogeenilamppu, 20 W

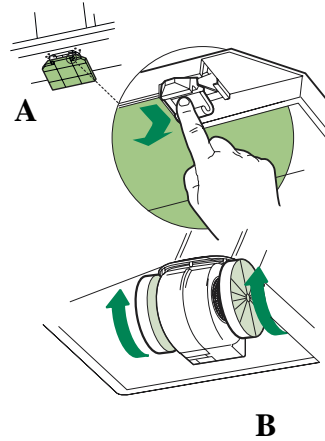
- Irrota kaksi ruuvia, jotka pitävät kiinni valon tukea ja poista tuki liesituulettimesta.
- Ota lamppu irti tuesta.
- Vaihda lamppu uuteen samanlaiseen lamppuun. Varmista, että koskettimet ovat kunnolla kiinni tuessa.
- Laita tuki paikalleen ja kiinnitä se kahdella ruuvilla.



Rasvasuodattimien irrottaminen

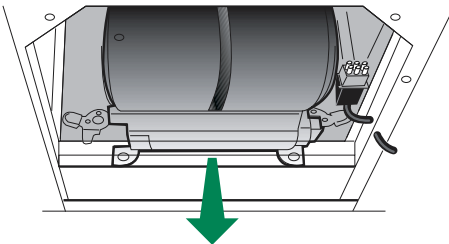
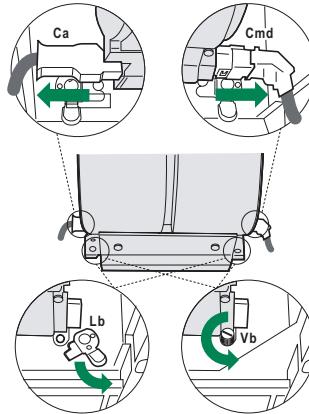
Ennen EASY CLEANING -imulaitteen huoltoa toimi seuraavasti:

- poista tuuletin sähköverkosta kytkemällä päältä virransyöttöjohdon kaksinapainen kytkin tai katkaisemalla virta päävirtakytkimestä
- poista rasvasuodattimet
- jos tuuletin toimii kiertoilmaversiolla, poista hiilisuodattimet
- litteäsalvalliset hiilisuodattimet (A): avaa salvat
- kääntökytkimelliset hiilisuodattimet (B): käännä kuvan osoittamalla tavalla ja vedä hiilisuodatin ulos.



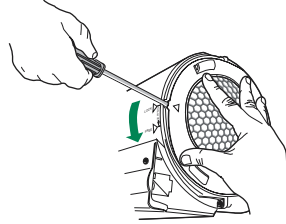
EASY CLEANING -imulaitteen irrottaminen

- Kytke irti virtaliitin **Ca** sekä ohjaus- ja valaistusliitin **Cmd** laitteen sivuilta.
- Seinälle asennettavat sekä vapaana riippuvat tuulettimet, joissa on poikkileikkaukseltaan nelikulmainen hormi: kierrä lukitus-salpoja **Lb** niin, että ne irtoavat tapeista.
- Vapaana riippuvat tuulettimet, joissa on poikkileikkaukseltaan pyöreä hormi: kierrä imulaitteen lukitustapeista **Vb**.
- Vedä imulaitetta eteenpäin niin, että se irtaa tukitapeista. Vedä se ulos alakautta ilmanpoistoaukon kautta.

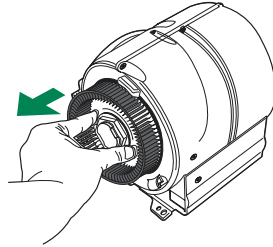


Pestävien osien irrottaminen

- Puhaltimia suojaavien sivusäleikköjen poistamiseksi nosta lukitustappia ylöspäin veitsen tai ruuvimeisselin avulla. Käännä säleikköjä nuolen osoittamaan suuntaan.

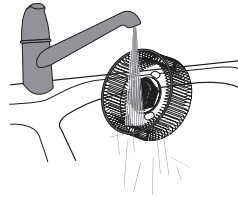


- Vedä puhaltimet ulos.

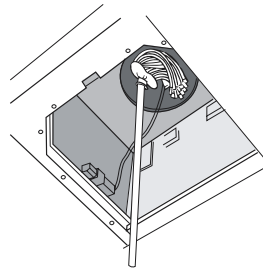


PUHDISTUS

- Pese puhaltimet ja suojasäleiköt tavallisella astianpesuaineella. Osat voidaan pestä myös astianpesukoneessa.
- Pyyhi imulaitteen runko kostealla liinalla ja sopivalla puhdistusaineella. Varo, ettei vettä pääse laitteen sisälle ja liitinkoteloihin.
- Jätä laite kuivumaan, kunnes se on täysin kuiva.



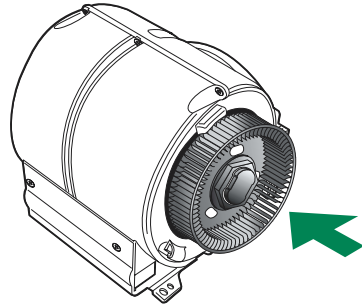
- Puhdista harjan avulla ilmanpoistoaukkoa niin pitkälle kuin mahdollista.



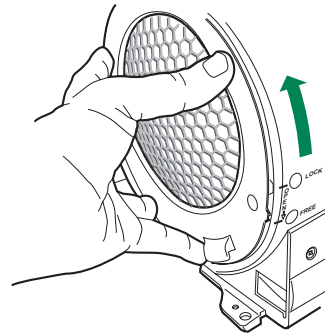
KOKOAMINEN

Huom. Puhaltimet on varustettu erilaisilla liittimillä niiden väärinpäin asentamisen estämiseksi.


- Asenna puhaltimet paikoilleen niitä vastaviin tappeihin. Paina puhaltimia kevyesti, kunnes ne naksauttavat paikoilleen.




- Asenna suojasäleiköt paikoilleen. Aseta säleikön hammastus "FREE"-merkinnän kohdalle ja kierrä säleikköjä "LOCK"-merkinnän suuntaan.
- Asenna EASY CLEANING -imulaite tuuletin sisälle omalle paikalleen. Varmista kiinnitys tukitappien avulla.
- Kierrä lukituskytkimiä tai ruuvaa lukitus-tulpat kiinni.
- Kytke virtaliitin paikalleen ja ohjausliitin imulaitteen sivuissa oleviin pistokkeisiin.
- Asenna mahdolliset aktiivihiihisuodattimet paikoilleen.
- Asenna metallirasvasuodattimet paikoilleen.
- Liitä tuuletin sähköverkkoon virransyöttö-johdon kaksinapaisella kytkimellä tai kytkemällä virta päälle päävirtakytkimellä.
- Tarkista, että tuuletin toimii moitteettomasti kytkemällä moottori ja valaistus päälle.






The symbol  on the product or on its packaging indicates that this product may not be treated as household waste. Instead it shall be handed over to the applicable collection point for the recycling of electrical and electronic equipment. By ensuring this product is disposed of correctly, you will help prevent potential negative consequences for the environment and human health, which could otherwise be caused by inappropriate waste handling of this product. For more detailed information about recycling of this product, please contact your local city office, your household waste disposal service or the shop where you purchased the product.




Symbolet  på produktet eller på pakken angiver, at dette produkt ikke må behandles som husholdningsaffald. Det skal i stedet overgives til en affaldsstation for behandling af elektrisk og elektronisk udstyr. Ved at sørge for at dette produkt bliver bortskaffet på den rette måde, hjælper du med til at forebygge eventuelle negative påvirkninger af miljøet og af personers helbred, der ellers kunne forårsages af forkert bortskaffelse af dette produkt. Kontakt det lokale kommunekontor, affaldsselskab eller den forretning, hvor produkt er købt, for yderligere oplysninger om genanvendelse af dette produkt.




Symbolen  på produkten eller emballaget anger att produkten inte får hanteras som hushållsavfall. Den skall i stället lämnas in på uppsamlingsplats för återvinning av el- och elektronikkomponenter. Genom att säkerställa att produkten hanteras på rätt sätt bidrar du till att förebygga eventuellt negativa miljö- och hälsoeffekter som kan uppstå om produkten kasseras som vanligt avfall. För ytterligare upplysningar om återvinning bör du kontakta lokala myndigheter eller sophämtningstjänst eller affären där du köpte varan.



Symbolet  på produktet eller på emballasjen viser at dette produktet ikke må behandles som husholdningsavfall. Det skal derimot bringes til et mottak for resirkulering av elektrisk og elektronisk utstyr. Ved å sørge for korrekt avhending av apparatet, vil du bidra til å forebygge de negative konsekvenser for miljø og helse som gal håndtering kan medføre. For nærmere informasjon om resirkulering av dette produktet, vennligst kontakt kommunen, renovasjonsselskapet eller forretningen der du anskaffet det.



Symboli , joka on merkitty tuotteeseen tai sen pakkaukseen, osoittaa, että tätä tuotetta ei saa käsitellä talousjätteenä. Tuote on sen sijaan luovutettava sopivaan sähkö- ja elektroniikkalaitteiden kierrätyksestä huolehtivaan keräyspisteeseen. Tämän tuotteen asianmukaisen hävittämisen varmistamisella autetaan estämään sen mahdolliset ympäristöön ja terveyteen kohdistuvat haittavaikutukset, joita voi aiheutua muussa tapauksessa tämän tuotteen epäasianmukaisesta jätekäsittelystä. Tarkempia tietoja tämän tuotteen kierrättämisestä saa paikallisesta kunnantöimistosta, talousjätehuoltopalvelusta tai liikkeestä, josta tuote on ostettu.