



USER'S MANUAL FOR BUILT-IN OVEN

Multifunction S45, cod. 7145 000

Foster spa

via M.S. Ottone, 18/20

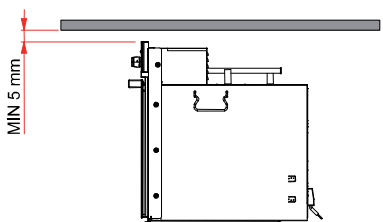
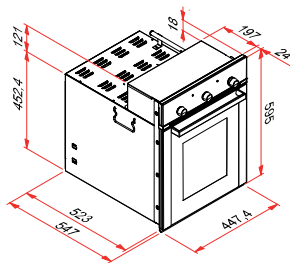
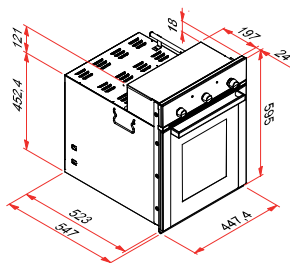
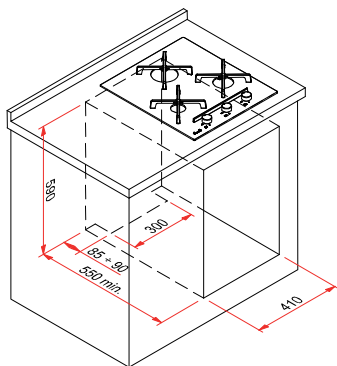
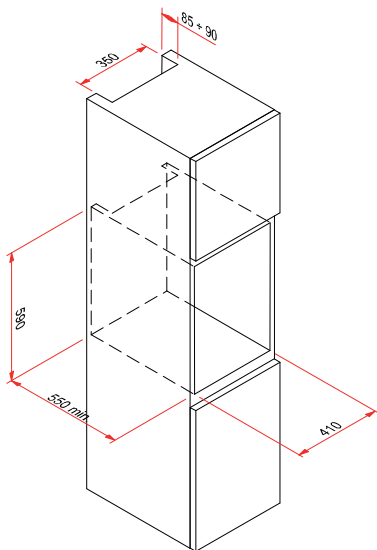
42041 Brescello (RE) - Italy

tel. +39.0522.687425 - tel. Servizio Assistenza +39.0522.684450

fax +39.0522.686019 - fax Servizio Ricambi +39.0522.962166

e-mail: service@fosterspa.com

www.fosterspa.com





EN	The symbol on the product or on its packaging indicates that this product may not be treated as household waste. Instead it shall be handed over to the applicable collection point for the recycling of electrical and electronic equipment. By ensuring this product is disposed of correctly, you will help prevent potential negative consequences for the environment and human health, which could otherwise be caused by inappropriate waste handling of this product. For more detailed information about recycling of this product, please contact your local city office, your household waste disposal service or the shop where you purchased the product.
DE	Dieses Produkt darf am Ende seiner Lebensdauer nicht über den normalen Haushaltsabfall entsorgt werden, sondern muss an einem Sammelpunkt für das Recycling von elektrischen und elektronischen Geräten abgegeben werden. Das Symbol auf dem Produkt, der Gebrauchsanleitung oder der Verpackung weist darauf hin. Die Werkstoffe sind gemäß ihrer Kennzeichnung wiederverwertbar. Mit der Verwendung, der stofflichen Verwertung oder anderen Formen der Verwertung von Altgeräten leisten Sie einen wichtigen Beitrag zum Schutz unserer Umwelt. Bitte erfragen Sie bei der Gemeindeverwaltung die zuständige Entsorgungsstelle.
IT	Il simbolo sul prodotto o sulla confezione indica che il prodotto non deve essere considerato come un normale rifiuto domestico, ma deve essere portato nel punto di raccolta appropriato per il riciclaggio di apparecchiature elettriche ed elettroniche. Provvedendo a smaltire questo prodotto in modo appropriato, si contribuisce a evitare potenziali conseguenze negative per l'ambiente e per la salute, che potrebbero derivare da uno smaltimento inadeguato del prodotto. Per informazioni più dettagliate sul riciclaggio di questo prodotto, contattare l'ufficio comunale, il servizio locale di smaltimento rifiuti o il negozio in cui è stato acquistato il prodotto.
FR	Ce symbole figure sur le produit ou sur son emballage en application de la directive européenne 2002/96/CE sur les Déchets d'Équipement Électrique et Electronique (DEEE). Cette directive sert de règlement cadre à la reprise, au recyclage et à la valorisation des appareils usagés dans toute l'Europe. Ce produit doit donc faire l'objet d'une collecte sélective. Lorsque vous ne l'utiliserez plus, remettez-le à un service de ramassage spécialisé ou à une déchèterie qui traite les DEEE ; vous contribuerez ainsi à éviter des conséquences néfastes pour la santé et l'environnement. Pour tout renseignement sur la mise au rebut et le recyclage de ce produit, veuillez contacter la mairie ou le service de la propreté de votre commune, ou encore le magasin dans lequel vous l'avez acheté.
ES	Este aparato lleva el marcado CE en conformidad con la Directiva 2002/96/EC del Parlamento Europeo y del Consejo sobre residuos de aparatos eléctricos y electrónicos (RAEE). La correcta eliminación de este producto evita consecuencias negativas para el medioambiente y la salud. El símbolo en el producto o en los documentos que se incluyen con el producto, indica que no se puede tratar como residuo doméstico. Es necesario entregarlo en un punto de recogida para reciclar aparatos eléctricos y electrónicos. Deséchelo con arreglo a las normas medioambientales para eliminación de residuos. Para obtener información más detallada sobre el tratamiento, recuperación y reciclaje de este producto, póngase en contacto con el ayuntamiento, con el servicio de eliminación de residuos urbanos o la tienda donde adquirió el producto.
PT	O símbolo no produto ou na embalagem indica que este produto não pode ser tratado como lixo doméstico. Em vez disso, deve ser entregue ao centro de recolha selectiva para a reciclagem de equipamento eléctrico e electrónico. Ao garantir uma eliminação adequada deste produto, irá ajudar a evitar eventuais consequências negativas para o meio ambiente e para a saúde pública, que, de outra forma, poderiam ser provocadas por um tratamento incorrecto do produto. Para obter informações mais pormenorizadas sobre a reciclagem deste produto, contacte os serviços municipais locais, o centro de recolha selectiva da sua área de residência ou o estabelecimento onde adquiriu o produto.
NL	Het symbool op het product of op de verpakking wijst erop dat dit product niet als huishoudafval mag worden behandeld. Het moet echter naar een plaats worden gebracht waar elektrische en elektronische apparatuur wordt gerecycled. Als u ervoor zorgt dat dit product op de correcte manier wordt verwijderd, voorkomt u mogelijk voor mens en milieu negatieve gevolgen die zich zouden kunnen voordoen in geval van verkeerde afvalbehandeling. Voor meer details in verband met het recyclen van dit product, neemt u het best contact op met de gemeentelijke instanties, het bedrijf of de dienst belast met de verwijdering van huishoudafval of de winkel waar u het product hebt gekocht.
RO	Simbolul de pe produs sau de pe ambalaj indica faptul ca produsul nu trebuie aruncat impreuna cu gunoiul menajer. Trebuie predata la punctul de colectare corespunzator pentru reciclarea echipamentelor electrice si electronice. Asigurandu-va ca ati eliminat in mod corect produsul, ajutati la evitarea potentialelor consecinte negative pentru mediul inconjurator si pentru sanatatea persoanelor, consecinte care ar putea deriva din aruncarea necorespunzatoare a acestui produs. Pentru mai multe informatii detaliate despre reciclarea acestui produs, va rugam sa contactati biroul local, serviciul pentru eliminarea deseurilor sau magazinul de la care l-ati achizitionat.
SLO	Simbol na izdelku ali njegovi embalaži označuje, da z izdelkom ni dovoljeno ravnati kot z obicajnimi gospodinjstskimi odpadki. Izdelek odpeljite na ustrezno zbirno mesto za predelavo elektricne in elektronske opreme. S pravilnim nacinom odstranjevanja izdelka boste pomagali preprečiti morebitne negativne posledice in vplive na okolje in zdravje ljudi, ki bi se lahko pojavile v primeru nepravilnega odstranjevanja izdelka. Za podrobnejše informacije o odstranjevanju in predelavi izdelka se obrnite na pristojen mestni organ za odstranjevanje odpadkov, komunalno službo ali na trgovino, v kateri ste izdelek kupili.
PL	Symbol na produkcie lub na opakowaniu oznacza, że tego produktu nie wolno traktować tak, jak innych odpadów domowych. Należy oddać go do właściwego punktu skupu surowców wtórnych zajmowanego się złomowanymi sprzętem elektronicznym i elektronicznym. Właściwa utylizacja i złomowanie pomaga w eliminacji niekorzystnego wpływu złomowanych produktów na środowisko naturalne oraz zdrowie. Aby uzyskać szczegółowe dane dotyczące możliwości recyklingu niniejszego urządzenia, należy skontaktować się z lokalnym urzędem miasta, służbami oczyszczania miasta lub sklepem, w którym produkt został zakupiony.
SK	Symbol na výrobku alebo na jeho obale znamená, že s výrobkom sa nesmie zaobchádzať ako s domovým odpadom. Namiesto toho ho treba odovzdať v zbornom stredisku na recykláciu elektrických alebo elektronických zariadení. Zabezpečte, že tento výrobok bude zlikvidovaný správnym postupom, aby ste predišli negatívnym vplyvom na životné prostredie a ľudské zdravie, čo by bolo spôsobené nesprávnym postupom pri jeho likvidácii. Podrobnejšie informácie o recyklácii tohto výrobku získate, ak zavoláte miestny úrad vo Vašom bydlisku, zberné suroviny alebo obchod, v ktorom ste výrobok kúpili.
CZ	Symbol na výrobku nebo jeho balení udává, že tento výrobek nepatří do domácího odpadu. Je nutné odvézt ho do sberného místa pro recyklaci elektrického a elektronického zařízení. Zajištěním správné likvidace tohoto výrobku pomůžete zabránit negativním důsledkům pro životní prostředí a lidské zdraví, které by jinak byly způsobeny nevhodnou likvidací tohoto výrobku. Podrobnější informace o recyklaci tohoto výrobku zjistíte u příslušného místního úřadu, služby pro likvidaci domovního odpadu nebo v obchode, kde jste výrobek koupili.
SV	Symbolen på produkten eller emballaget anger att produkten inte får hanteras som hushållsavfall. Den skall i stället lämnas in på uppsamlingsplats för återvinning av el- och elektronikkomponenter. Genom att säkerställa att produkten hanteras på rätt sätt bidrar du till att förebygga eventuellt negativa miljöö- och hälsoeffekter som kan uppstå om produkten kasseras som vanligt avfall. För ytterligare upplysningar om återvinning bör du kontakta lokal myndighet eller söphämtningstjänst eller affären där du köpte varan

DECLARATION OF CE COMPLIANCE

This appliance is in compliance with the following European Directives:

2006/95/CE : Concerning low tensions

2004/108/CE : Electromagnetic compatibility

CE Regulation n° 1935/2004:

this appliance is suitable to come in contact with food products.

CE Regulation n° 1275/2008: Stand-by.

GENERAL WARNINGS

This manual is an integral part of the appliance.

It is necessary to keep it for the life cycle of the oven and to read it carefully for the installation, use, maintenance, cleaning and handling of the appliance.

Unplug the appliance before undertaking any sort of intervention on it.

Attention: earth connection is required by law.

Packaging materials (sheets, polystyrene) may be hazardous to children (danger of suffocation). Keep packaging materials out of the reach of children.

This appliance is not intended for use by persons (including children) with reduced physical, sensory or mental capabilities, or lack of experience and knowledge, unless they have been given supervision or instruction concerning use of the appliance by a person responsible for their safety.

Children should be supervised to ensure that they do not play with the appliance.

Heat forms during cooking and the appliance door, especially if made in glass, can become very hot. To prevent burns, do not touch the door and keep children away.

This appliance was designed for home use only.

The manufacturer will not be held liable for any damage to persons or property caused by improper installation, or by improper, wrong or senseless use.

The manufacturer reserves the right to make any changes to the product which are felt to be useful or necessary without any advance notice.

Do not carry out any modifications, tampering or repair attempts, especially with tools such as screwdrivers on the inside or outside of the appliance.

Repair work, especially on the electrical parts, must be performed only by specialized personnel.

Improper repair work can cause serious accidents, damage the appliance and equipment as well as impair proper operation.

In case of a failure in operation or an indispensable repair job, ask for the intervention of the customer technical service centre.

If the appliance shows visible signs of damage, do not use it; unplug it and contact the assistance service.

The oven must be unplugged as soon as an operating problem is discovered.

Make sure the power cord of the appliance is not crushed by the oven door as this may damage the electrical insulation.

If the power cord has been damaged, it must be replaced by the technical service centre in order to avoid the creation of hazardous situations.

Before closing the oven door, make sure there are no foreign bodies or pets inside the oven.

The oven gets extremely hot during operation and remains hot for a long time, even after it has been turned off, then cools down very slowly until reaching room temperature. Wait for a suitable period of time before carrying out any work such as cleaning.

Do not place heat-sensitive or flammable materials in the oven such as detergents, oven sprays, and so on. Superheated grease and oil may easily catch fire.

The rack, the plates and the cooking containers become extremely hot.

Use insulated glove or pot holders.

Never use water in an attempt to extinguish burning grease or oil (there is the danger of explosion). Suffocate the fire with wet cloths.

When using and maintaining the oven, be careful not to get fingers caught in the door hinges to avoid crushing or other injuries. This is specially important when children are around.

Never clean the appliance with high pressure water or steam cleaning equipment.

Do not use the appliance to heat the room.

If the door is open there is the hazard of tripping or crushing the fingers; leave the door open only in an ajar position.

Do not sit or lean on the door and do not use it as a work surface.

For maintenance, moving, installation and cleaning of the appliance use suitable prevention and protection equipment (gloves, etc.).

Lifting and moving of appliances weighing more than 25 kg must be carried out using proper equipment, or by two persons, in order to avoid risks or injuries.

TECHNICAL SPECIFICATIONS

Oven dimensions:

width	297mm
depth	386mm
height	336mm
Volume:	39 litres

Voltage and supply frequency:

220-240 V~ 50-60 Hz

Maximum Power: 1600 W

ENERGY LABEL

Directive 2002/40/EC features on electric oven labels

Regulation EN 50304

Conventional cooking - energy consumption

Heating function: **CONVENTIONAL**

Fan-assisted cooking - energy consumption

Heating function: **CONVENTIONAL FAN-ASSISTED**

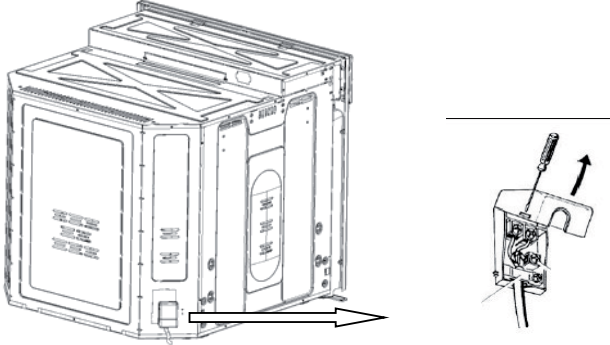
Energy consumption indicator

Heating function: **CONVENTIONAL FAN-ASSISTED**

CONNECTION TO MONO-PHASE ELECTRICITY

Ovens equipped with tri-polar power supply cables are constructed to function with alternating current, and with the voltage and frequency indicated on the technical label on the appliance.

Assembly of the power cable



1. Open the terminal board by placing a screwdriver under the side flaps on the cover, pull and then open the cover (see the figure).
2. Install the power supply cable, unscrew the screws on the cable grip and the three screws on contacts L-N- and then attach the wires under the screw heads respecting the colours Blue (N), Brown (L), Green Yellow (see the figure).
3. Attach the cable to the appropriate cable holder.
4. Close the terminal board cover.

Attaching the power supply cable to the mains

For direct connection to the mains power, it is necessary to use a device that ensures that the mains power is disconnected, with a distance between contacts that allows complete disconnection in compliance with surge category III and installation regulations. Assemble a standard plug for the capacity indicated on the rating label.

If the oven has a direct connection to the mains electricity supply, it is necessary to install an omnipolar switch between the appliance and mains power with a minimum opening between the contacts of 3 mm dimensioned for the indicated capacity and in compliance with currently enforced regulations (the switch must not interrupt the ground cable).

The power supply cable must be positioned in such a way that it does not exceed the room temperature by 50°C at any point.

The installer is responsible for correctly hooking-up the electricity connection and adherence to safety regulations.

Before hooking-up to the mains supply, make sure that:

- the socket has a ground connection and complies with legal regulations;
- the socket is able to withstand the oven's maximum power capacity indicated on the rating label (also see below);
- The power supply voltage is within the values listed in the electrical characteristics label (see below);
- the socket is compatible with the appliance plug.
- If this is not the case, replace the socket or the plug. Do not use extension cords or multiple sockets.
- Once the appliance is installed, the electrical cable and the electrical power socket must be easy to reach.
- The cable must not be bent or compressed.
- The cable must be periodically checked and only replaced by authorized technicians.
- The Company declines all responsibility if these instructions are not adhered to.

Replacement of the power cable:

If the power cable needs to be replaced, use cables of the following type only:

- H05 RR-F
- H05 V2V2-F (T90)

which are suitable for the operating capacity and temperature. The green-yellow ground cable must be longer than the other two conductors by approximately 2cm.

INSTALLATION

Important: any adjustments, maintenance, etc. must be executed with the oven disconnected from electricity.

To guarantee proper operation of the built-in appliance, the furniture unit must have suitable characteristics:

- the panels adjacent to the oven must be constructed in heat resistant materials;
- in the case of veneered wood furniture units, the glue must be heat resistant to temperatures up to 100°C;

The oven must be located in a standard opening of 410mm, as shown in the first page of the booklet, whether under a counter or in a column position.

When inserting the oven into a column it is indispensable to ensure adequate ventilation by installing openings as illustrated in the figure.

The oven is secured to the furniture unit by four "A" screws located in the holes of the frame.

Make sure not to lift the oven by its door when inserting it; furthermore, do not place excessive pressure on the door when it is open.

Note: if no opening has been anticipated in the upper part of the column furniture, make a hole in the lower part of the column, as shown in the drawing.

COOKING FUNCTIONS



Traditional cooking

It is recommended that the oven is heated before introducing the food. This cooking function is suitable for the preparation of any dish and particularly for fatty meats.



Bottom element only

Suitable for very slow cooking and warming up of food.



Traditional cooking with fan

Cooking mode suited to bake bread, pizzas and lasagne. It is recommended that the oven is heated before cooking with this function. Keep the oven door closed during this function.



Grilling

Heat is directed onto the food from the top towards the bottom. Recommended use: for grilling small quantities of food (toasts, hot sandwiches, etc.).



Grilling with fan

The action of the fan, combined with the action of the grill, allows for quick and thorough cooking of food. It is advisable to heat the oven for a few minutes before putting food in it.

HOW TO USE THE GRILL

Lay the food in the wire shelf or in a tray in case of small pieces. The rack must be positioned in the highest runner possible and the grease drip pan in the runner below. Close the door and turn on the grill. When cooking using the grill functions, the oven door must be kept closed and the temperature must fall within the range of 200°C and 250°C.

Caution: while the grill is operating, the accessible parts are very hot. Keep children well away from the oven. Do not use aluminium foil to cover the grill tray or to wrap the food being cooked, as the reflected heat will damage the grill element and the aluminium foil can catch fire. Here under are few suggestions for cooking with the grill:

Foods to be grilled	Cooking time in minutes	
	Over	Under
Thin meat	6	4
Normal meat	8	5
Fish (e.g. trout, salmon)	15	12
Sausage	12	10
Toast	5	2

3 KEYS ELECTRONIC PROGRAMMER

The first start up

The numbers and the A letter on the display are blinking when the oven is switched on for the first time, or after a power cut:

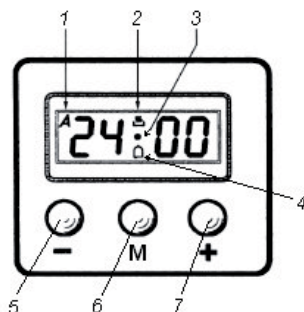
the appliance cannot be operated in this condition.

To set the hour and/or to enable the appliance to operate press the M key for at least 2 seconds: the A letter turns off and the numbers now are steady on the display.



The dot (3) starts blinking: press the – or + key to set the hour.

The hour is accepted by the programmer just few second after having released the key.

N.B. the appliance can be correctly used for coking only when you will see on the display the symbol (2).



The symbols on the display:

1	A *	Automatic programme is working. (* in some models there is the writing 'Auto' instead of A)
2		The appliance is ready for manual use (not automatic).
3	•	When blinking, the programmer is in setting hour mode.
4		Timer set.
5	-	Decreasing numbers when setting the timer. Also for choose your desired sound level (3 levels available).
6	M	"Mode" key to access the programming options of the programme.
7	+	Increasing numbers when setting the timer.

Timer

The purpose of the timer is just of a sound signal, which can be set for a maximum time of 23h59min. Once elapsed the set time, the (4) symbol turns off and a sound signal is heard; this sound set off automatically in 7min, or you can stop it by pressing any key of the programmer. To set the timer press the M key for 2 seconds, or anyway just to see the (4) symbol blinking. Set the timer by using the + or – keys. Release the + or – key when you have matched your desired time.

In a few seconds the current time appears on the display together with the (4) symbol. The countdown starts immediately from now on.

Semi-automatic cooking

Cooking time

Once having selected a cooking function and set the desired temperature, press the M key for a 2 seconds time to access the programming mode. The (4) symbol appears. Release and press again the M key. On the display, the A symbol starts blinking and the “dur” writing appears on the display, then it changes to 0* 00.

Set the cooking time with the – or + keys. (max available time: 10h).

The selected time is automatically processed by the programmer in a few seconds, or you can also touch the M key many times just to see again the current time.

The A and (2) symbols will be on the display.

Once the set cooking time is finished, a sound will be heard and the oven automatically switches off. Please see the following paragraphs about how to disable the sound alarm and restarting the oven.

End of cooking

once having selected a cooking function and set the desired temperature, touch the M key to access the programming mode for at least 2 seconds.

The (4) symbol switches on. Release and touch again the M key.

On the display the A symbol starts blinking and the writing “dur” appears. Touch again the M key. On the display the writing “End” appears. The last one changes few seconds after with the symbol 0* 00.

Set the end of cooking time with the keys – or +. (maximum available time: 10h00m).

The selected time is automatically processed by the programmer in a few seconds, or you can also touch the M key many times just to see again the current time.

The cooking immediately starts, while on the programmer display the current time is shown again in a few seconds. The A and (2) symbols will be on the display.

Once the set end of cooking time is finished, a sound will be heard and the oven automatically switches off. Please see the following paragraphs about how to disable the sound alarm and restarting the oven.

Automatic cooking

Set a cooking time following the instructions on the cooking time paragraph, then set the end of cooking time following the instructions on the previous paragraph. (Max available end of cooking time 24h). The oven automatically switches on at a determined time which is the difference between the end of cooking time and the cooking time.

During the waiting time before cooking, which goes from the oven start to the heating, on the display appears the A symbol to show that an automatic program is on and the current time. The oven on is marked by the (2) symbol.

Once the set end of cooking time is finished, a sound will be heard and the oven automatically switches off.

Please see the following paragraphs about how to disable the alarm and restarting the oven.

How to disable the sound alarm

To disable the sound just touch one of the keys.

Operating again the oven

Once a semi-automatic or automatic cooking has expired, on the display appear the current time and the blinking A symbol. In this condition, the heating elements and the light bulb of the oven are disabled.

To enable again the oven, just touch and keep the M key up to see the symbol (2) on the display and the A symbol disappears.

THE OTHER PROGRAMMER FUNCTIONS

How to delete a cooking time - Semi-automatic or Automatic

To delete a semi-automatic or automatic cooking program, with the A symbol on, touch together the – and + keys for at least 2 seconds or anyway up to see the (2) symbol and the disabling of A symbol.

How to delete the countdown timer

To delete the counting of the timer, which symbol is (4) , touch the M key for at least 2 seconds or anyway up to see the (4) symbol blinking.

Touch together the – and + keys.

Checking the function settings

The set or remaining time of every cooking function of the programmer can be recalled to the display by entering in program mode with the M key. Touch and keep the M key for almost 2 seconds or anyway up to see the (4) symbol. The remaining time appears on the display, or a series of zero numbers if the timer is disabled. Touch again the M key. On the display appears the “dur” writing, then alternately the remaining time or a series of zero number (disable timer).

By touching again the M key, the end of cooking time appears together with the “End” writing.

How to change the current time or the sound level

With the programmer in standard mode, the (2) symbol is on, touch together the – and + keys for at least 2 seconds or anyway up to see the dot (3) blinking.

To update the hour on the display: touch the + or – keys.

To change the sound level: touch the M key.

On the display appears the writing : to n... followed by a number.

Select with the – key your favourite sound level.

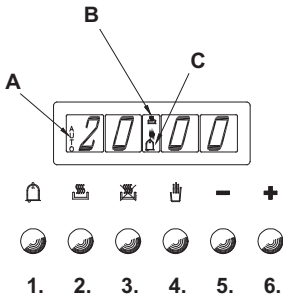
Note: number 1 is referred to the highest sound level. The available levels are 3.

Warning:

Power cut causes the loss of any program, even the clock.

That means the programmer will have to be set again.

ELECTRONIC PROGRAMMER



The electronic programmer is a device which groups together the following functions:
24 hours clock with illuminated display
Timer (up to 23 hours and 59 min.)
Program for automatic beginning and end of cooking
Program for semi-automatic cooking (either start or finish only).

Description of keys

1. Timer
2. Cooking time
3. End of cooking time
4. Manual position
5. Scrolling forward through all the programme numbers
6. Scrolling backwards through all the programme numbers

Description of lighted symbols

- A). «AUTO» flashing:**
programmer in automatic position but not programmed.
- A). «AUTO» always lighted:**
programmer in automatic position with inserted program.
- B).** Programmer switched on.
- C).** Timer in operation.
- B). and A). both flashing:** program error

Digital clock

Clock numbers show hours (0-24) and minutes.

Upon immediate hooking up of the oven or after a blackout, three zeros will flash on the programmer panel. To set the hour it is necessary to push simultaneously the **2.** + **3.** keys and AT THE SAME TIME to push the **[+]** key or **[-]** until you have set the exact hour.

The regulation speed depends on the pressure exercised on the **[+]** **[-]** keys.

Manual cooking without using the programmer

To use the oven manually (without the programmer) it is necessary to delete the flashing «**AUTO**» by touching the **1.** key.

If «**AUTO**» is still flashing (which means a cooking program is still memorized) it is necessary to delete the inserted cooking program by pushing the **1.** key until setting the clock on zero.

Automatic cooking (start and end)

1. Set the length of cooking time by touching the **2.** key.
2. Set the end of cooking time by touching the **3.** key.
3. Set temperature and cooking program by using the thermostat knob and the selector knob.

After this setting the symbol «**AUTO**» will flash, this means the oven has been programmed.

An example: cooking lasts 45 minutes and is expected to stop at 14.00.

- Push the **2.** key until having set 0.45.

- Push the **3.** key until having set 14.00.

Once having set this time, the clock hour will appear on the panel and «**AUTO**» symbol will flash permanently. This means the cooking program has been memorized.

At 13.15 h. (14.00 h. minus 45 minutes) the oven turns on automatically. During cooking time the **B.** symbol and «**AUTO**» symbol are flashing.

At 14.00 h. the oven turns off automatically, a buzzer goes on until it is stopped by pushing the key **1.**

Semi-automatic cooking

- **Setting the length of cooking time**
- **Setting the end of cooking time**

Setting the length of cooking time

Set the length of cooking time by pushing the **2.** key. The oven will turn on immediately. «**AUTO**» and **B).** symbols will light. When the set cooking time has elapsed, the oven will turn off, a buzzer will ring until it is stopped as above described.

Setting the end of cooking time

Set the end of cooking time by pushing the **3.** key.

The oven will turn on immediately. «**AUTO**» and **B).** will light. At the set time, the oven will turn off and a buzzer will ring until it is stopped as above described. The cooking program may be seen at any moment by pushing the corresponding key.

The cooking program may be deleted at any moment by pushing the **2.** key until zero appears on the display.

Then by pushing the **4.** key the oven can work manually.

Timer = buzzer

The timer program consists only of a buzzer which may be set for a maximum period of 23 hours and 59 min.

To set the timer, push the **1.** key and, at the same time, **[+]** or **[-]** until you read the desired time on the display.

After the setting, the clock hour and the **C).** symbol will appear.

The countdown will start immediately and may be seen at any moment on the display by simply pressing the **1.** key.

At the end of the set time, the **C).** symbol will turn off and the buzzer will ring until it is stopped by pressing the **1.** key.

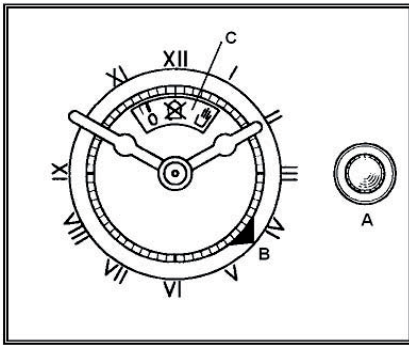
Please note:

An energy blackout makes the clock go to zero and deletes any set program.

After a blackout three zeros are flashing on the panel and the oven cannot be operated in this situation.

You need to press the **1.** key to stop flashing: now you can set the clock and the oven is ready to use again.

ANALOG PROGRAMMER



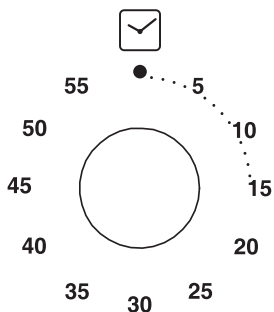
Set the clock by pressing and turning anti-clockwise the A knob.

Select the start of cooking time by pulling and turning anti-clockwise the A knob until the mobile B index matches with your desired start of cooking time.

Select the end of cooking time by turning anti-clockwise (without pulling) the A knob up to make your desired time matching with the fixed index (corresponding to the roman number XII); the time can be set up to 180 minutes, as it is written on the turning disk C.

When the cooking time has expired, the oven automatically stops and a buzzer sounds; to stop the sound just turn the A knob to the symbol of the crossed bell.

If you want to use the oven without the programmer (manual running) turn the knob A until the hand symbol matches with the fixed index.

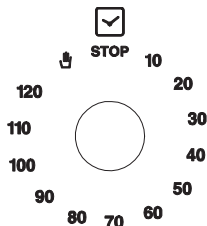


USING THE 60 MINUTE MINDER

This run-back timer can be used independently of an oven cooking cycle for up to 60 minutes of timing. The oven will not be turned off automatically.

To set the timer turn the knob fully clockwise until it stops and then back to the required time.

A short sound will advise that the cooking time is over.



120 MINUTES CUT-OFF TIMER

The function of the programming timer is to turn on the oven for a previously determined amount of time.

Operating:

After having set the oven, switch knob at the desired temperature, turn the timer knob in a clockwise direction to the desired cooking time (max. 120 minutes).

when the timer will return to position "0", a minute counter ringing will advise that the oven will automatically turn off.

Manual position:

If the cooking time is longer than the 2 hours programme, or if you wish to use the oven manually, to turn it off when you desire, turn the knob to manual position.

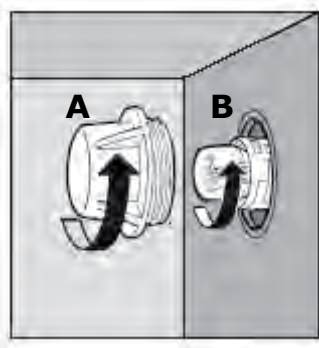
REPLACING THE BULB

Important: Unplug the appliance from the electrical power supply.
Check that the oven is at room temperature, otherwise wait for it to cool.
Remove the side rack.

To replace the oven bulb **B**, remove the protective cover **A** by turning it anti-clockwise.
Replace the burnt-out bulb and fit the protective cover back in place **A**.

Note: Use only 25 W, E-14 type, T 300°C bulbs.

The lamp used in this appliance is a 'special purpose lamp' intended only for the usage with this appliance; is not intended for household room illumination.



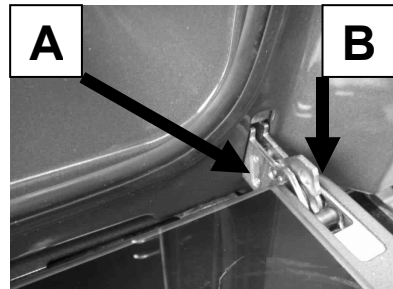
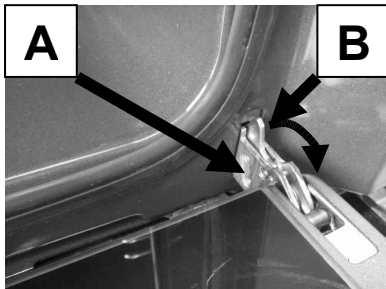
REMOVING THE OVEN DOOR

To aid cleaning and make access to the oven interior easier, both oven doors can be simply removed (see diagram). To make the cleaning operation easier, the door can be removed from the hinges as follows:

The hinges **A** are provided with two movable bolts **B**.

When bolt **B** is raised, the hinge is released from its housing. Having done this, the door must be lifted upwards and removed, sliding it towards the outside;

grip the sides of the door near the hinges when performing these operations. To refit the door, firstly slide the hinges into their slots. Before closing the door, remember to rotate the two movable bolts **B** used to hook the two hinges. **Do not soak the door in water.**



REMOVING THE OVEN DOOR INNER GLASS PANEL

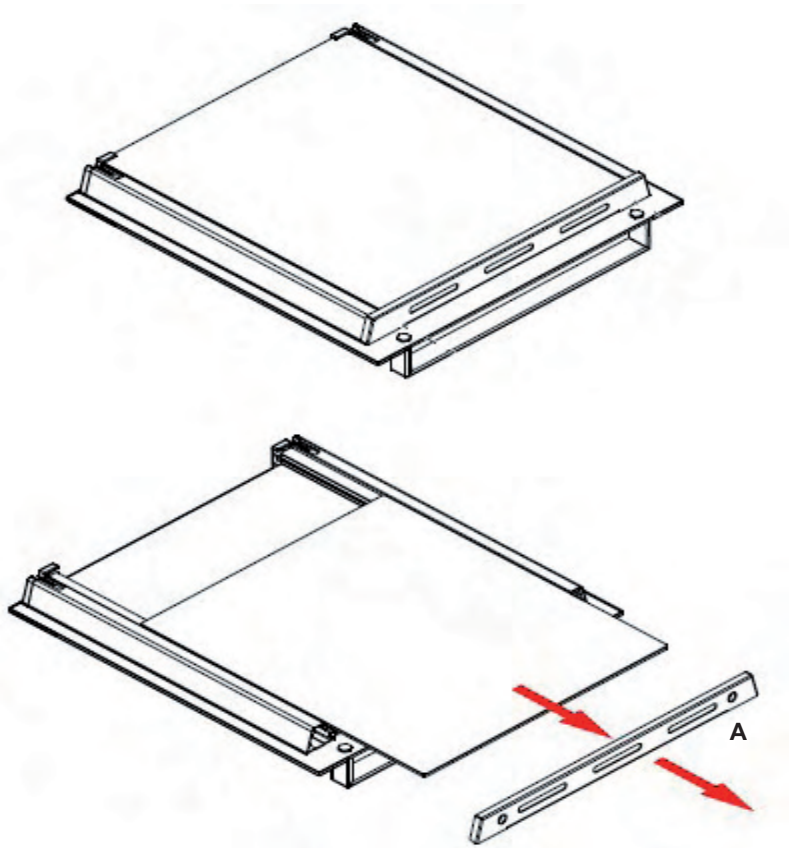
Do not use any abrasive medium that could cause damage.

Remember that if the surface of the glass panel becomes scratched, this could lead to a dangerous failure.

Never clean the appliance with high pressure water or steam cleaning equipment.

Use a coin to release the A plate, then remove the glass panel.

To refit the door, repeat the two previous operations in reverse.



1. INSTALLATION OF THE SELF-CLEANING LINERS

Fix the wall (A) with four auto-tapping screws.

Lean the walls (C) against the side of the oven and refasten the guides which were earlier taken away.

Replace the accessories into the oven.

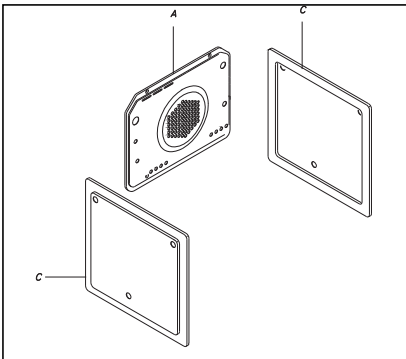
2. CLEANING THE SIDE GRILLES

The side grilles are to be hooked onto the wall of the oven.

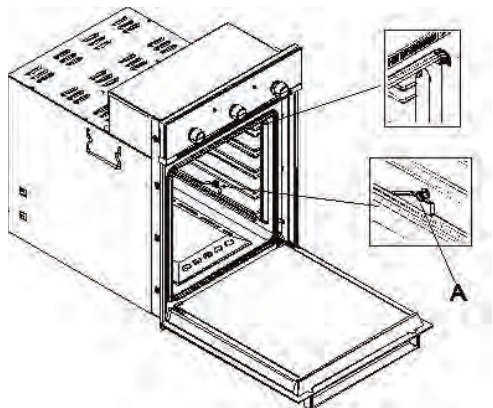
Slide the racks and tray provided into the side grilles.

To remove the side grilles press on part A as shown.

1.



2.



CLEANING AND MAINTENANCE

Important: before carrying out maintenance on the oven, it must always be unplugged from the power supply or disconnected from the mains via the electrical system master switch.

Wait for the appliance to cool down before proceeding with any cleaning operation.

Do not use abrasives, bleach or coarse cleaning material.

Never clean the appliance with high pressure water or steam cleaning equipment.

Do not use abrasive materials or substances for cleaning glass panels, as this may damage them

Wipe the inside of the oven by using a damp cloth with a diluted ammonia product; rinse and dry the oven carefully.

When cleaning the lower part of the oven, you are advised to remove any stains while the oven is still warm, but not hot – the longer you wait, the more difficult it will be to remove them.

For external parts cleaning, use a soft cloth and soapy water, rinse and dry carefully.

Wash the accessories in a dishwasher or in the sink, using an oven cleaner.

Warning: before proceeding with any operation as above, please use suitable prevention and protection equipment (gloves, etc.).